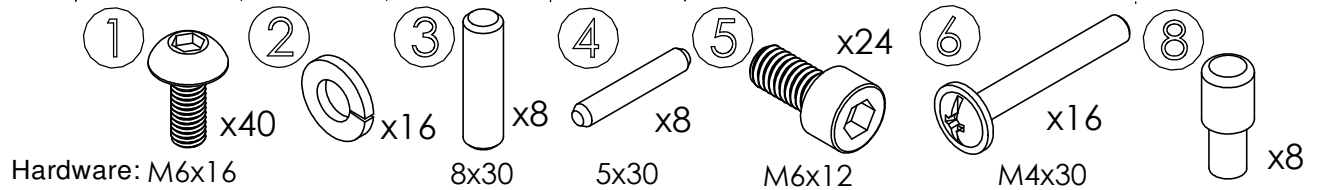
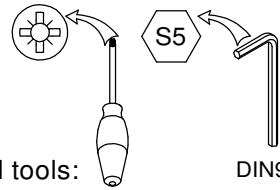


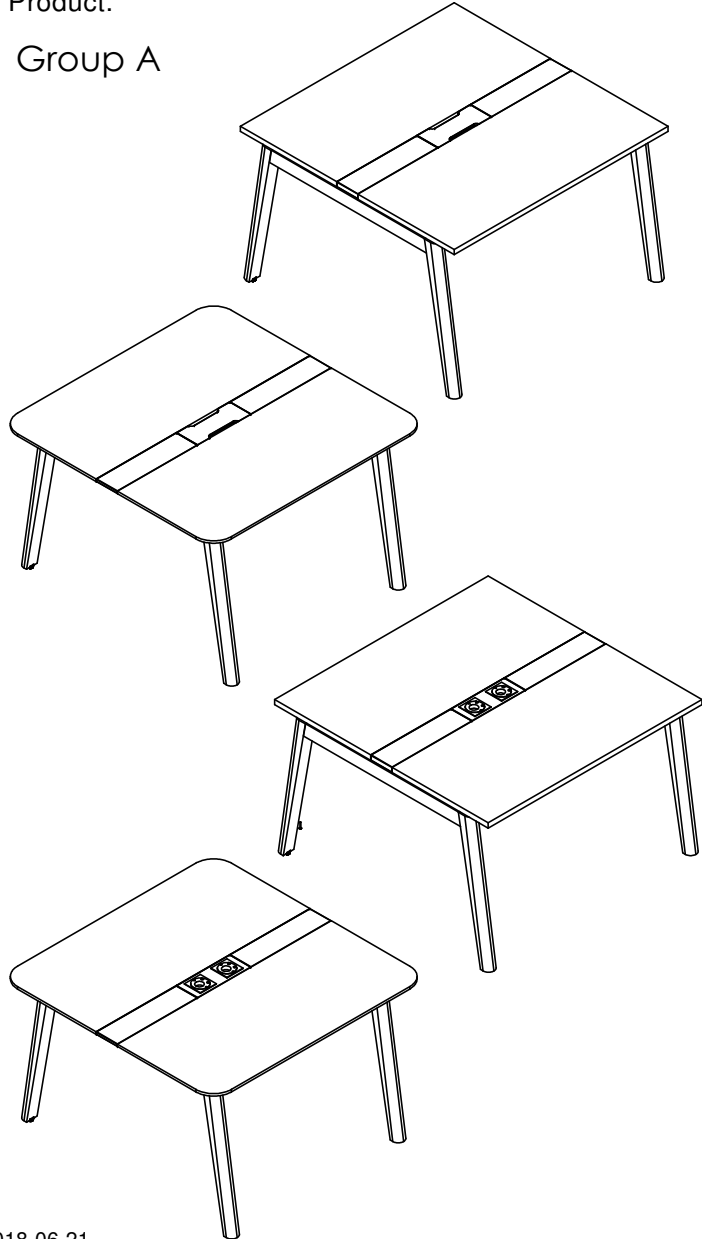
M60EN316

1 / 7

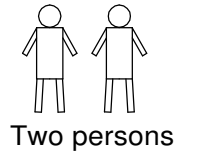
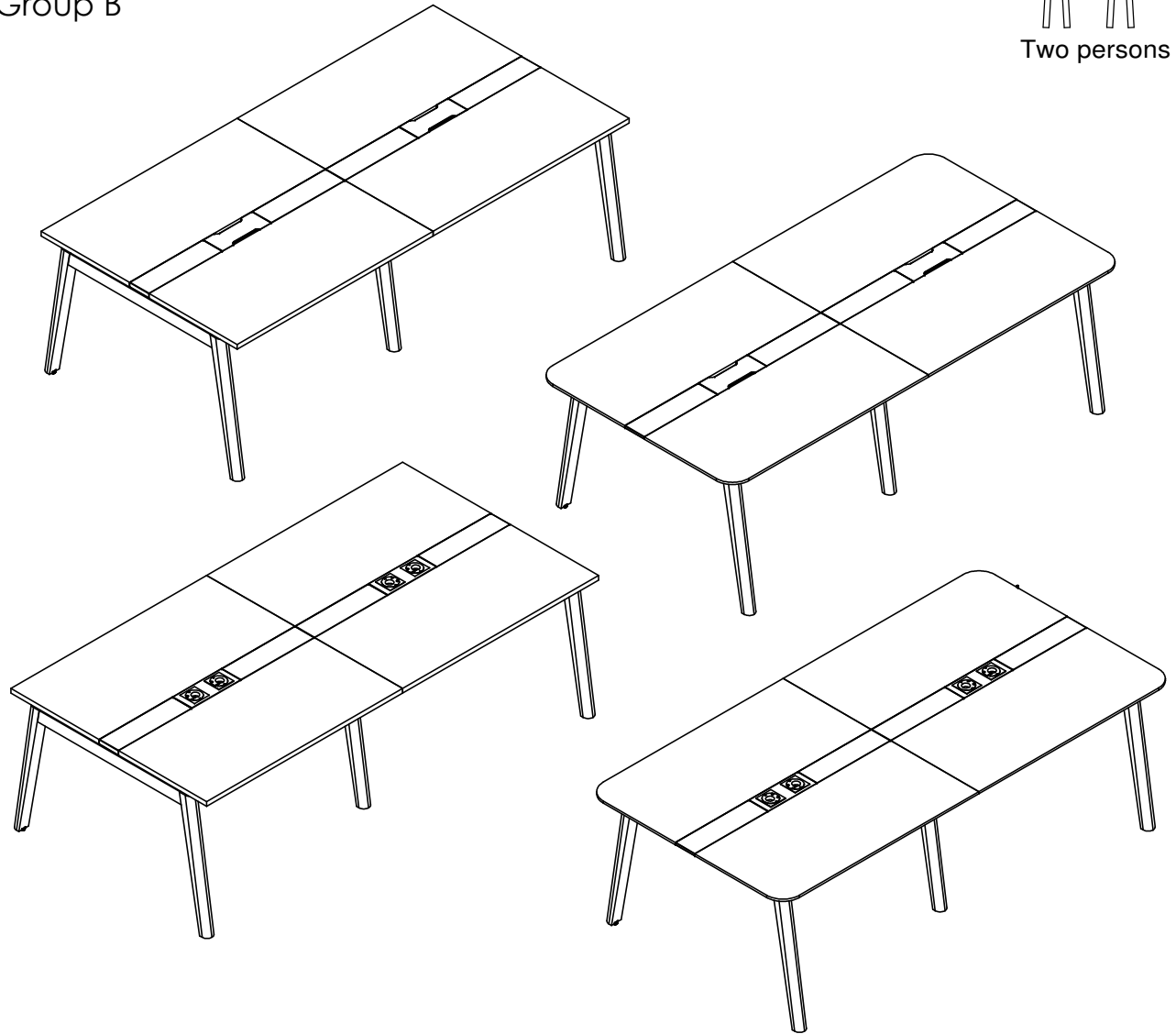


Assembling scheme

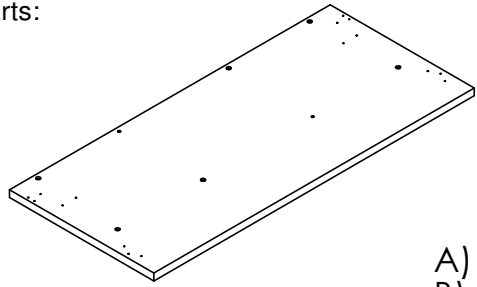
Product:
Group A



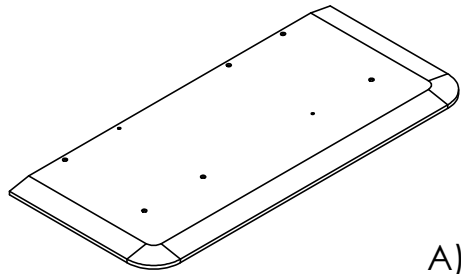
Group B



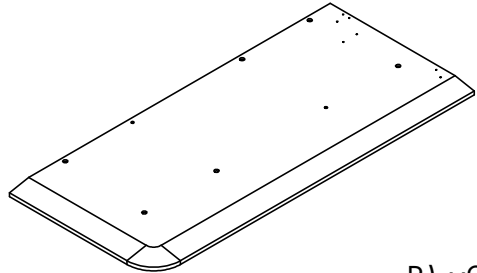
Parts:



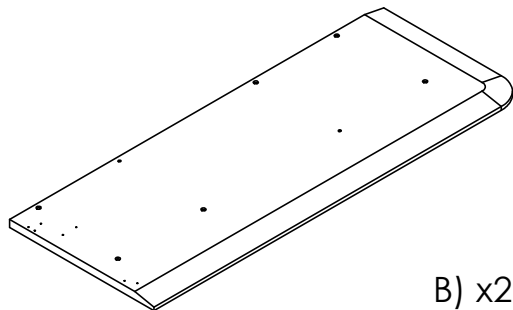
A) x2
B) x4



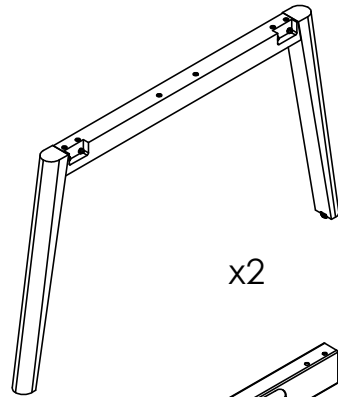
A) x2



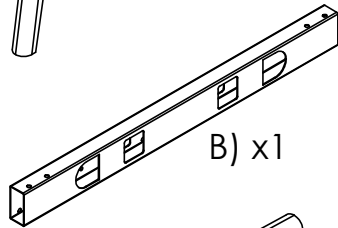
B) x2



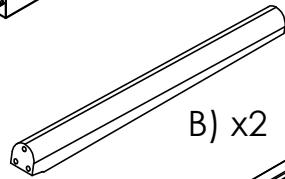
B) x2



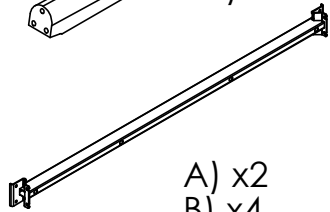
x2



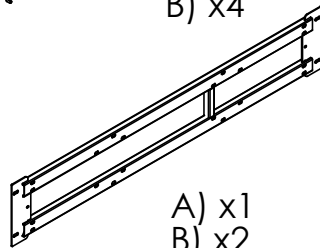
B) x1



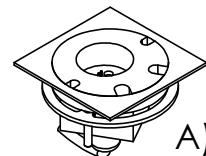
B) x2



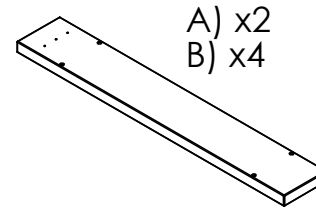
A) x2
B) x4



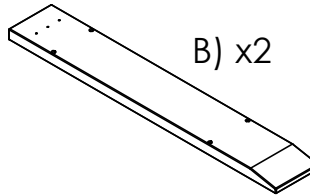
A) x1
B) x2



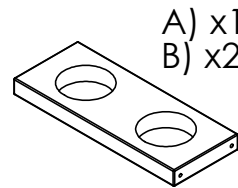
A) x1
B) x2



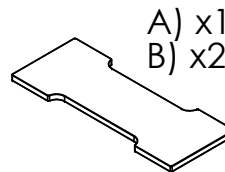
A) x2
B) x4



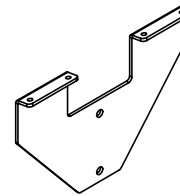
B) x2



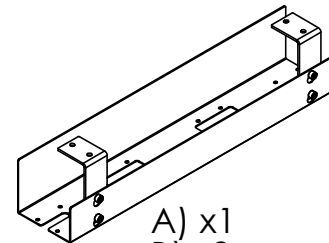
A) x1
B) x2



A) x1
B) x2



B) x2

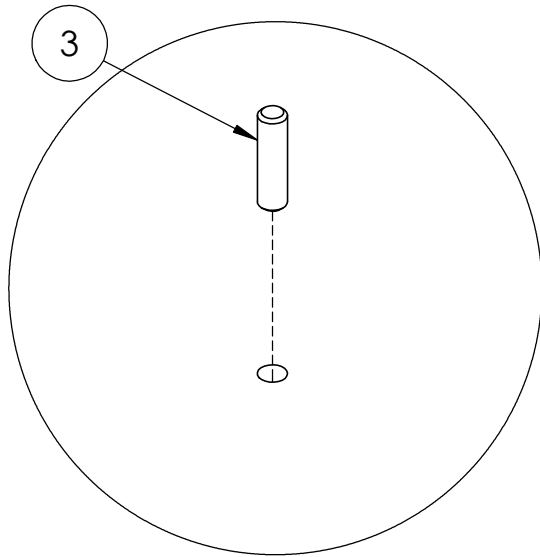
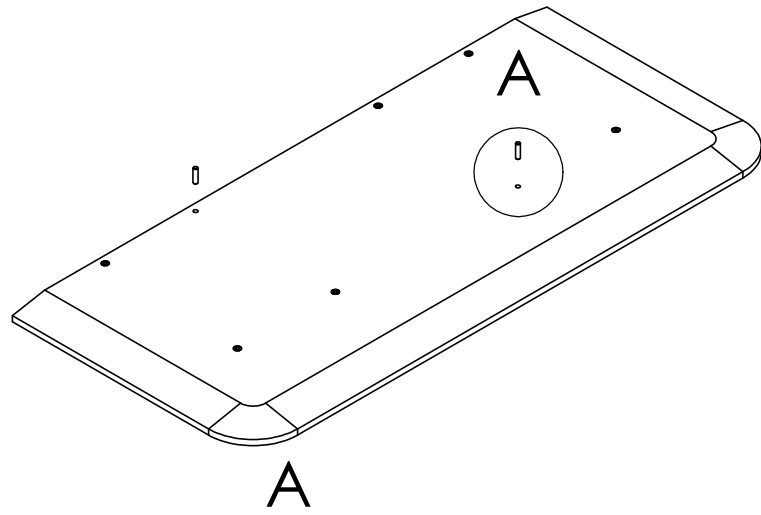


A) x1
B) x2

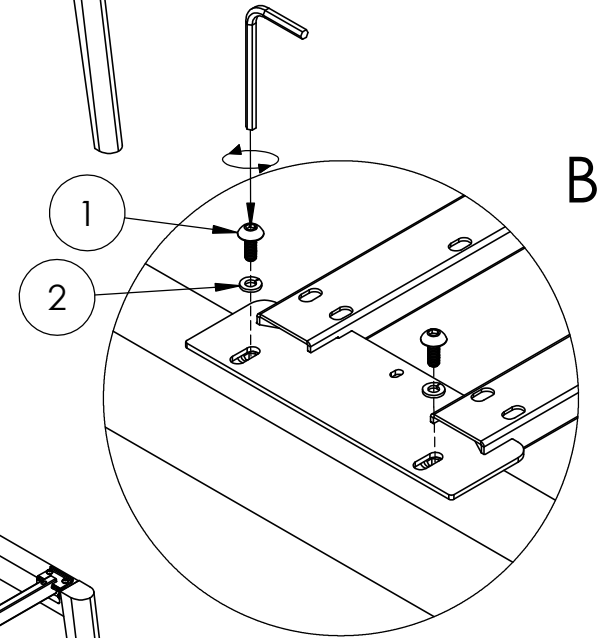
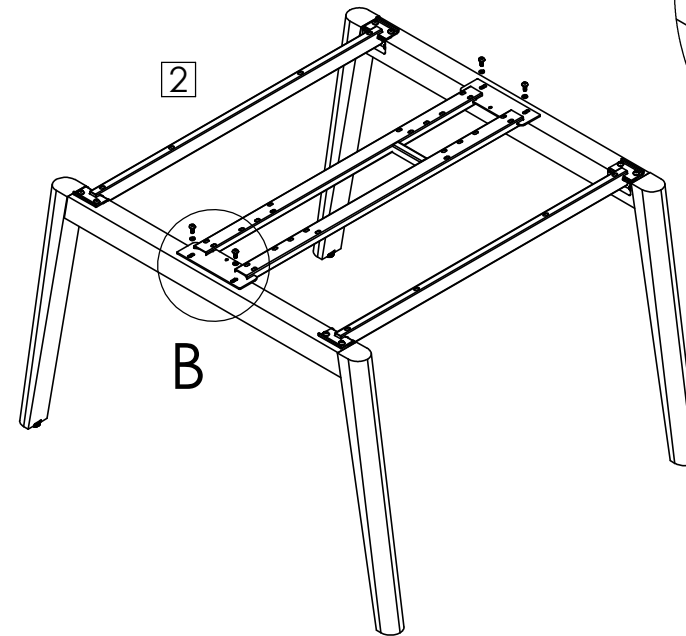
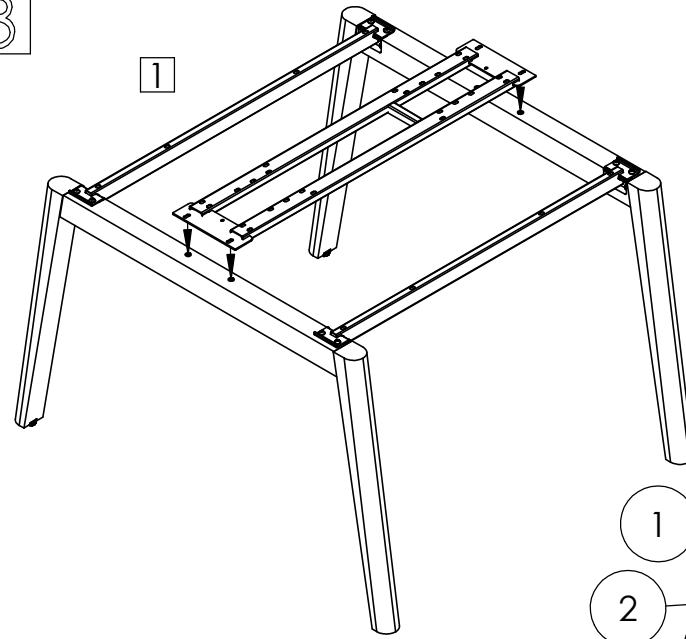


For legs assembling, look at assembling scheme M60EN289 page 3 and 4 (Group A and Group B seperated)

2

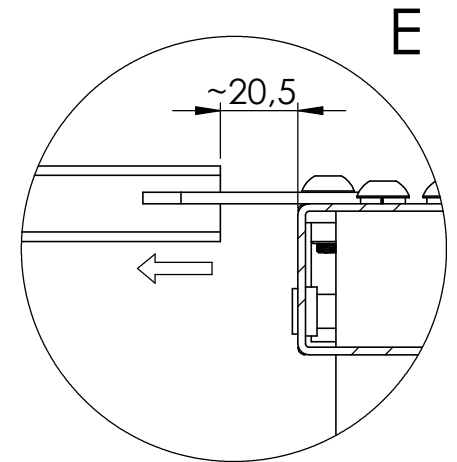
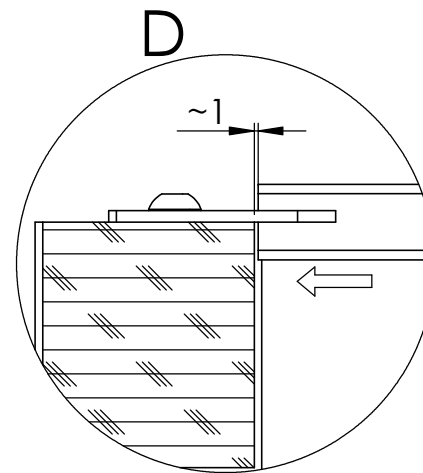
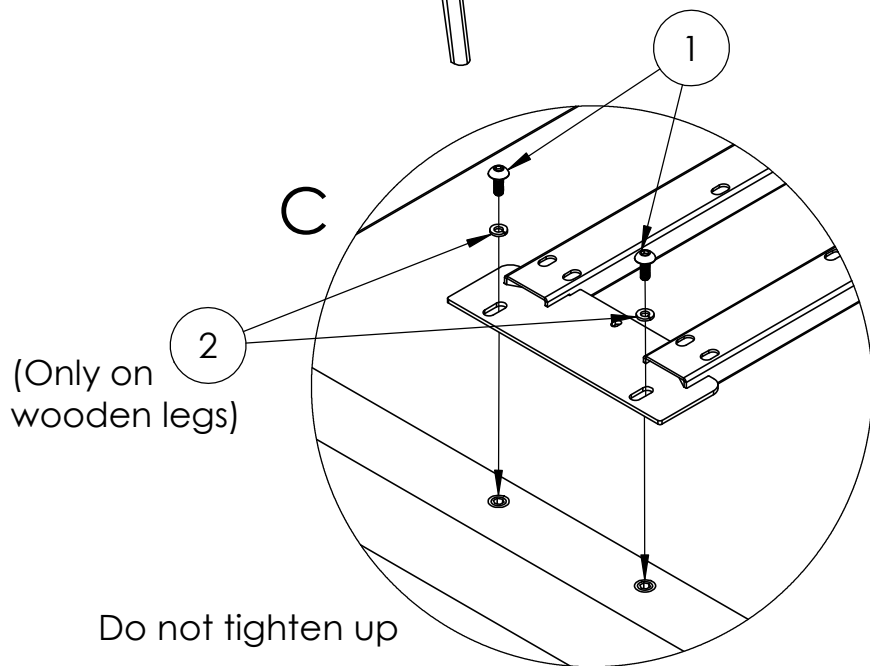
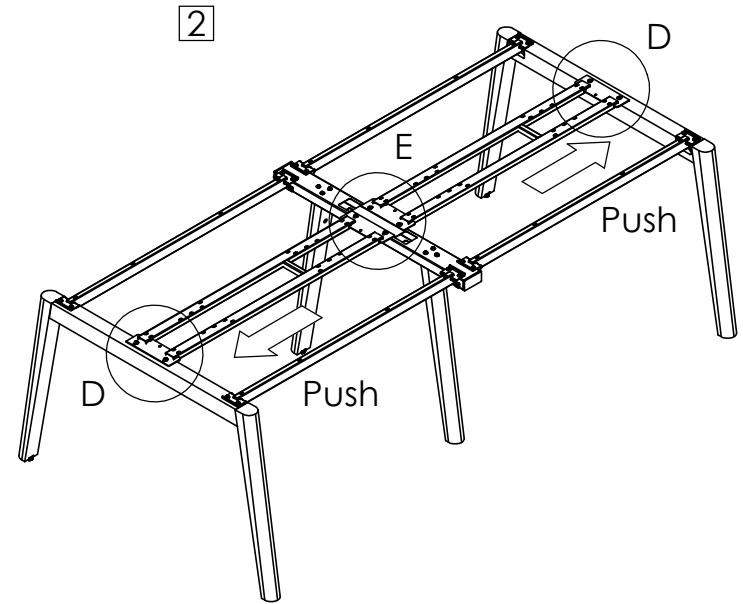
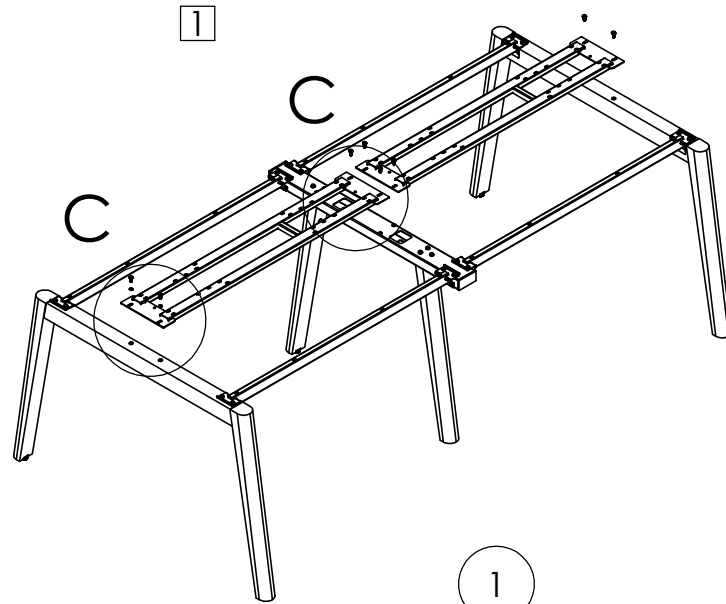


3



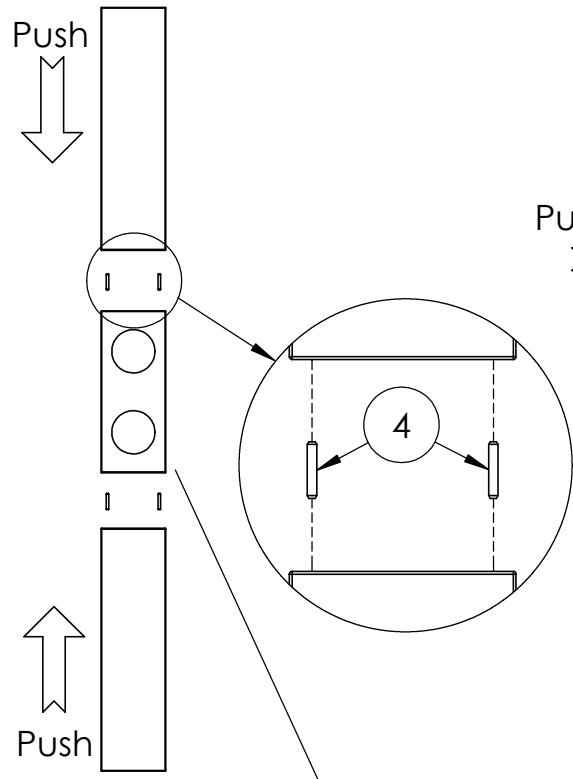
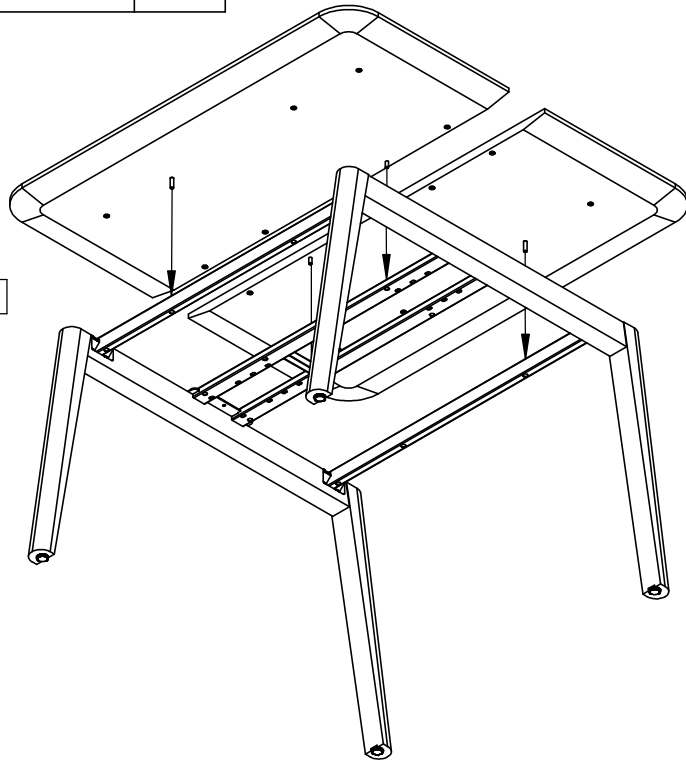
IMPORTANT!

At any bench combination (with central leg),
always push middle frame to wooden leg when
assembling



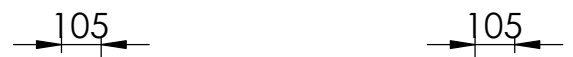
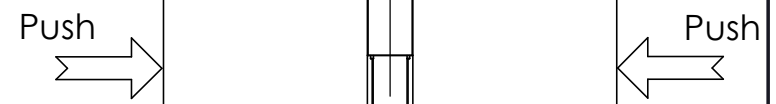
4

1



3

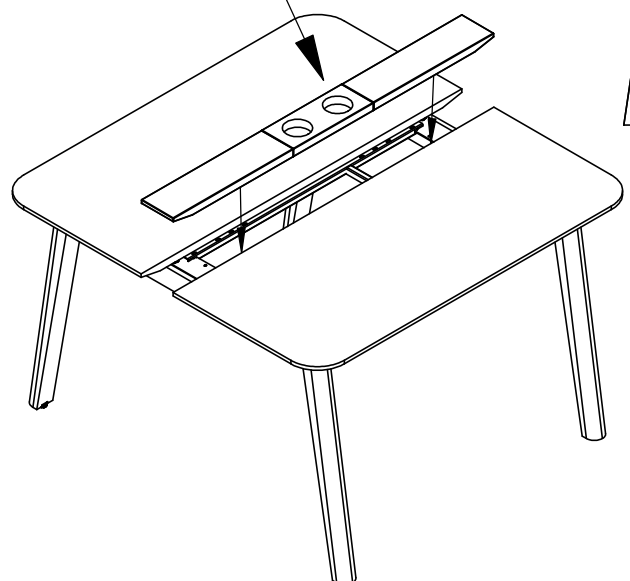
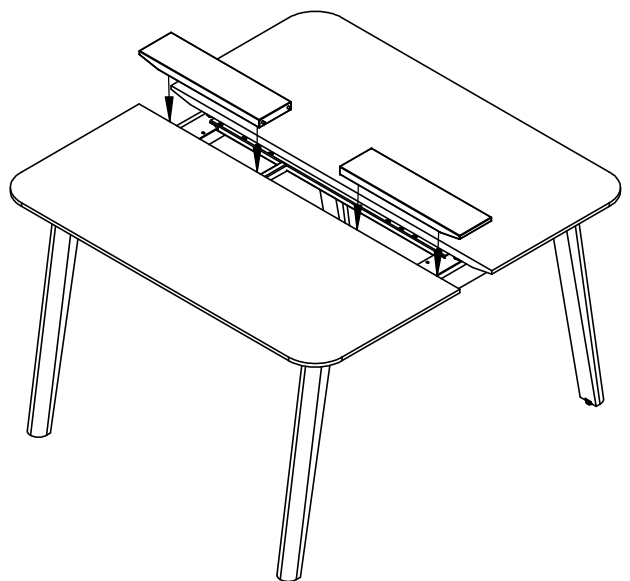
Set all edges in line



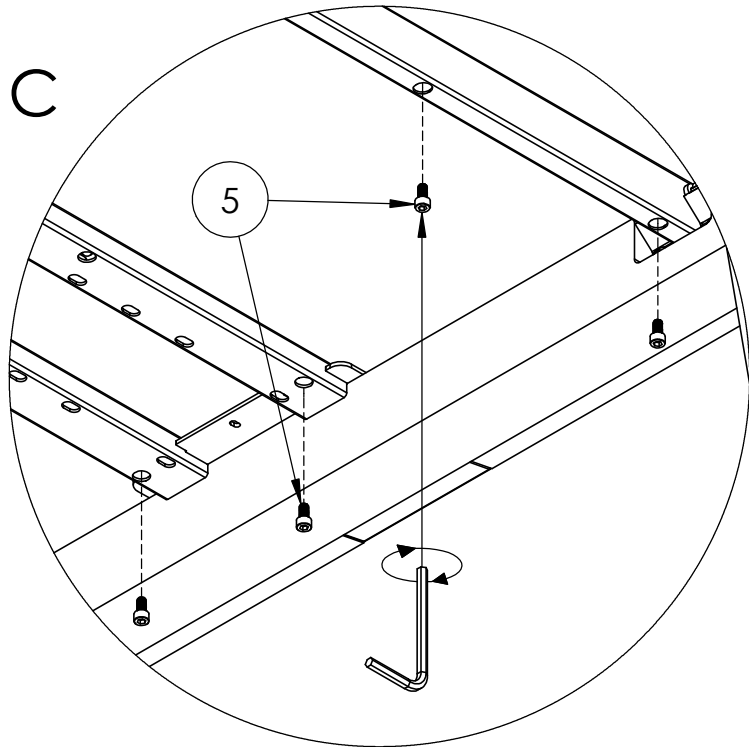
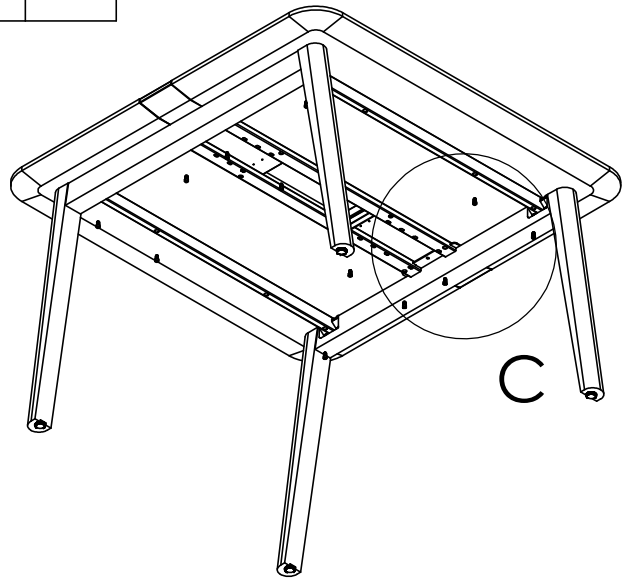
Center all desktop parts

2

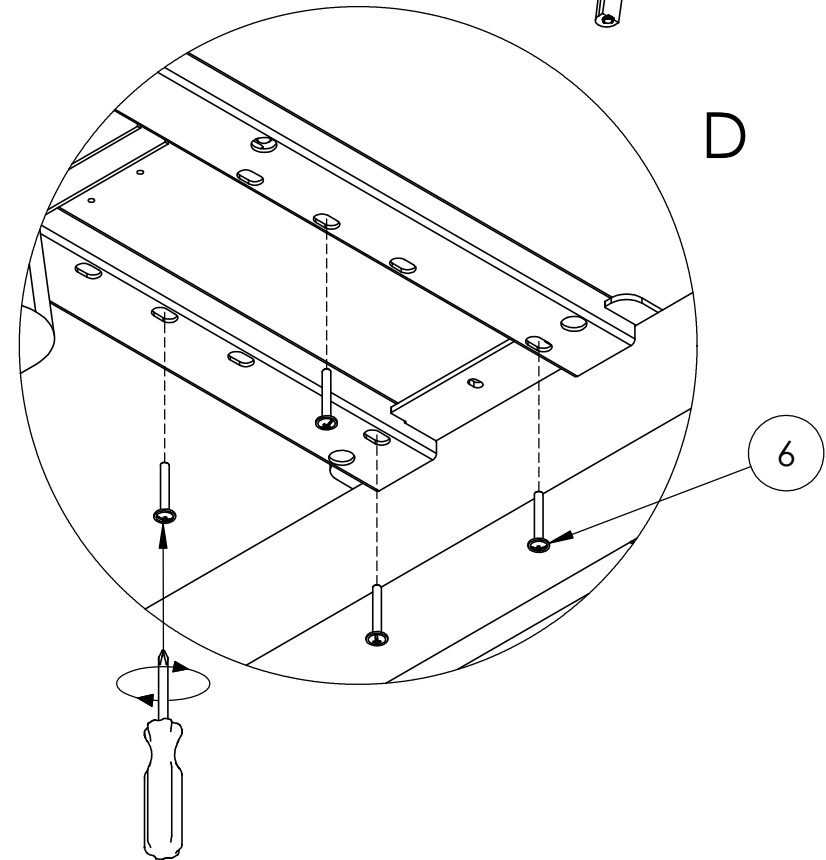
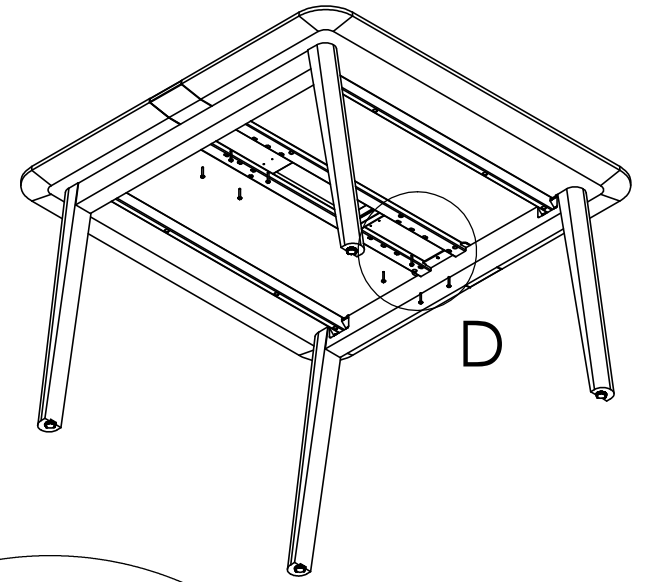
OR



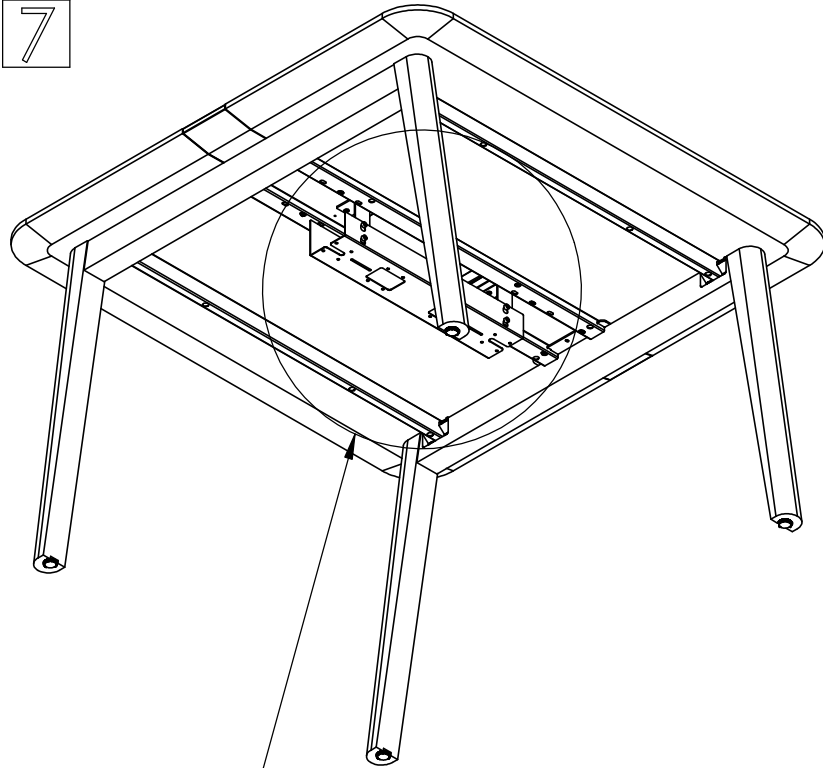
5



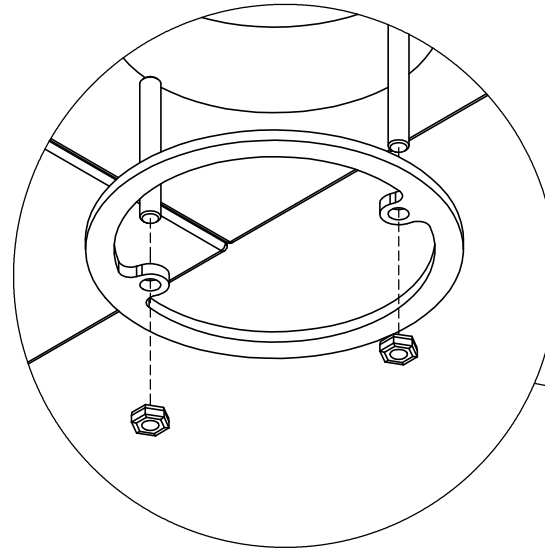
6



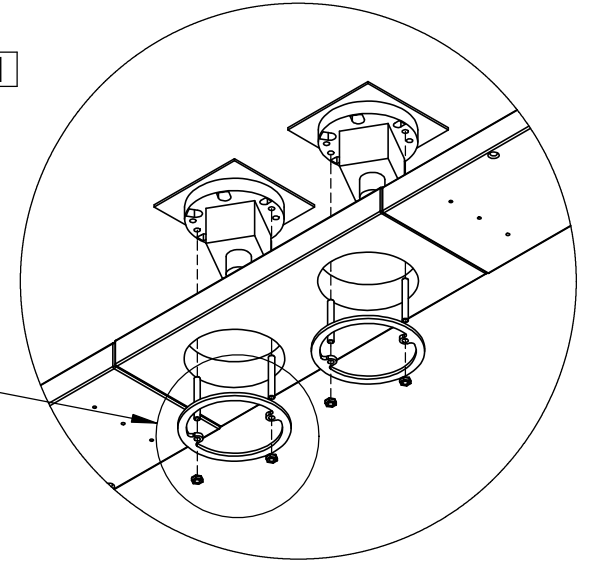
7



For cable tray assembling, look at assembling scheme provided with cable tray



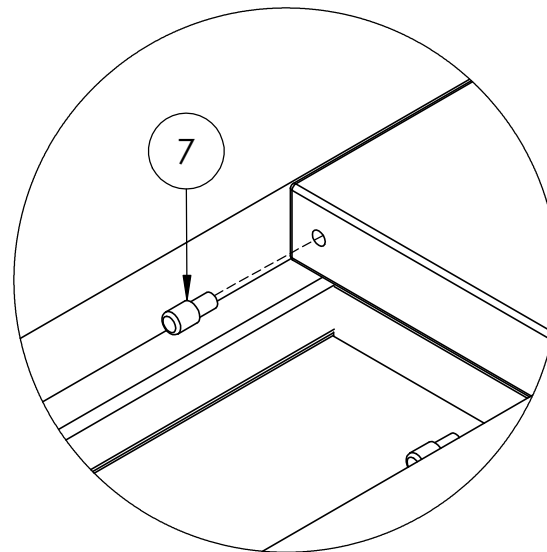
1



1 Cable tray assembling

OR

2 Cable tray assembling



2

