

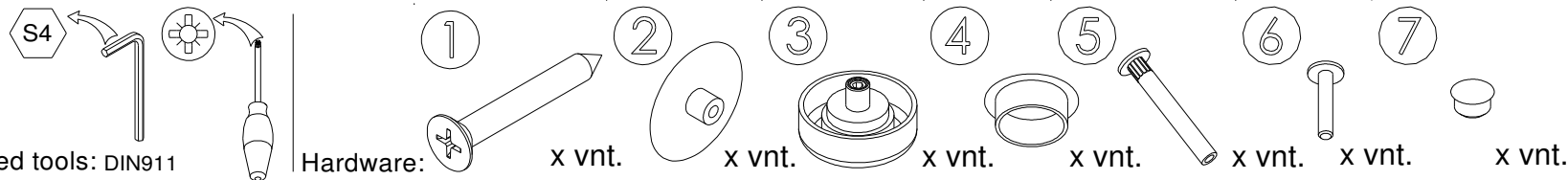
M60EC007

1 / 4

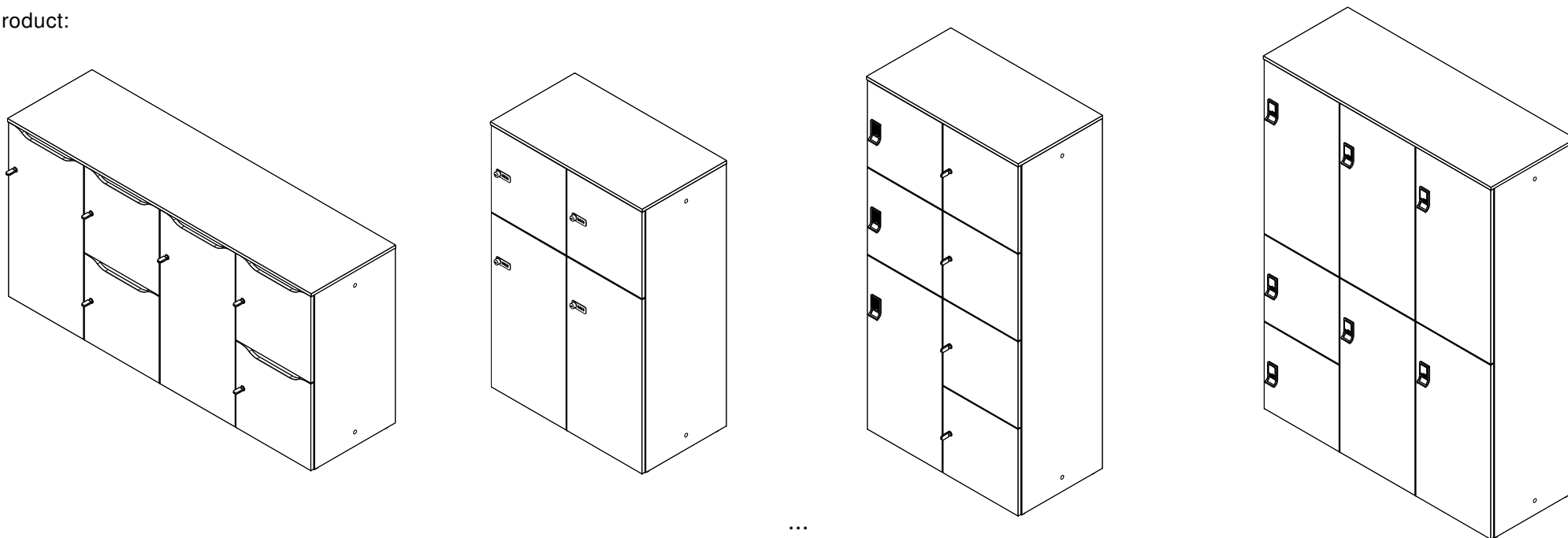
Assembling scheme

Required tools: DIN911

Hardware:



Product:

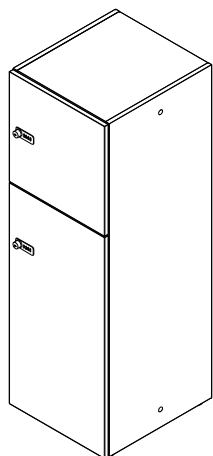


...  
And any other combination

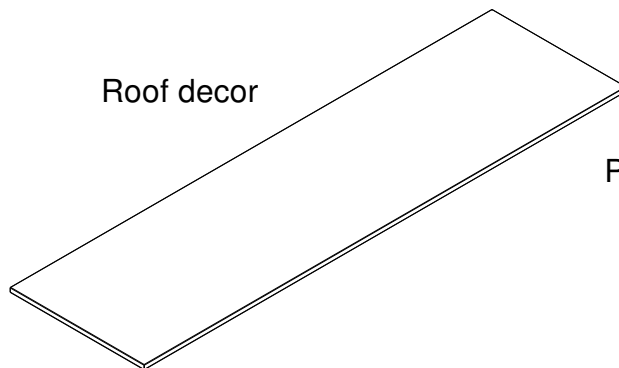
Parts:

Possible column sizes:

- 900
- 1350
- 1800



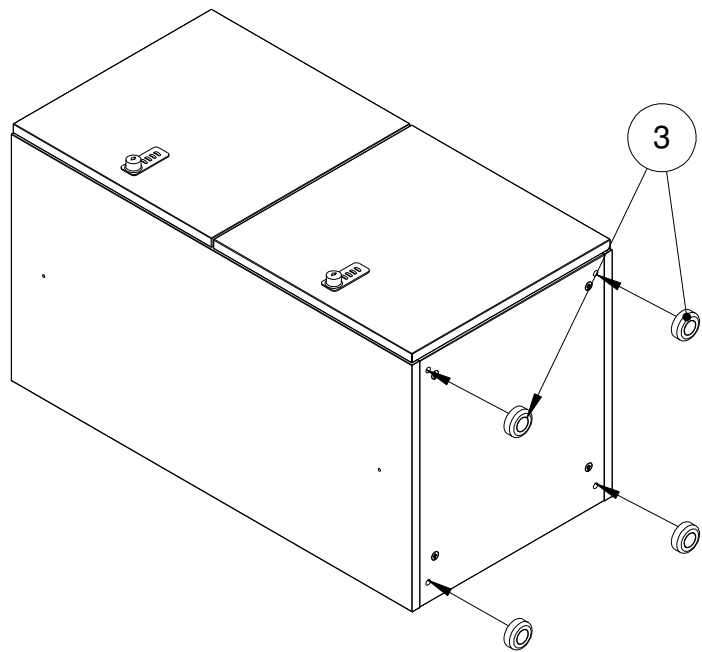
Roof decor



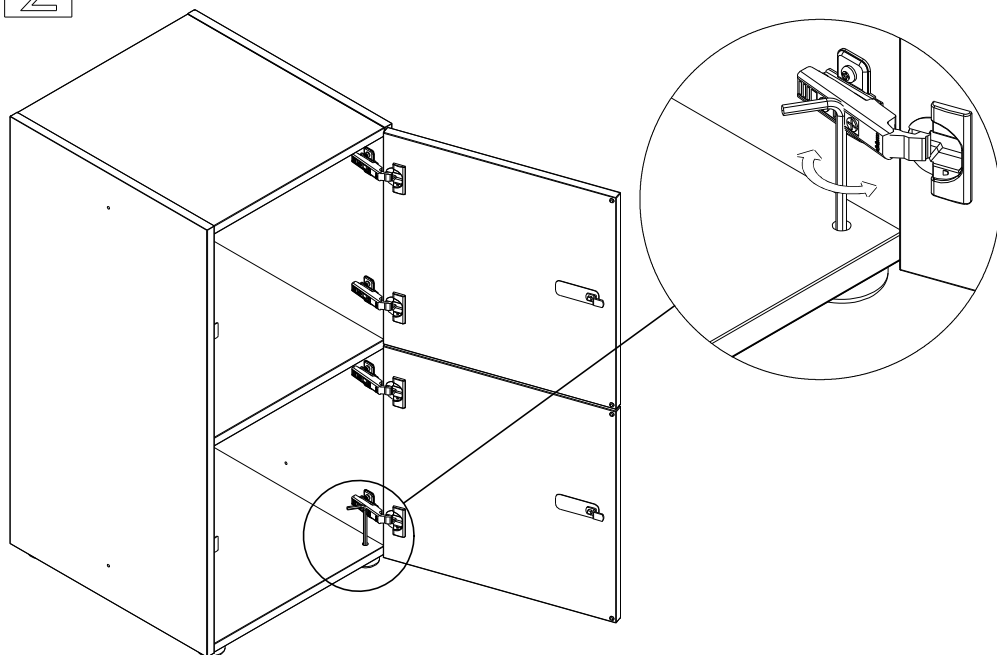
Possible sizes

- 450
- 900
- 1350
- 1800

1

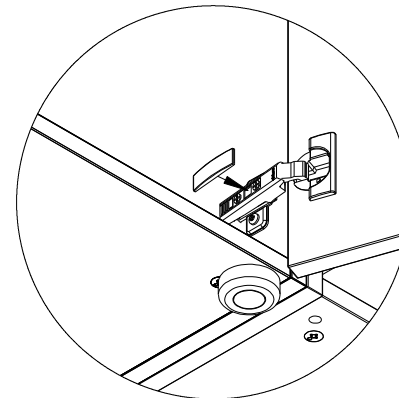
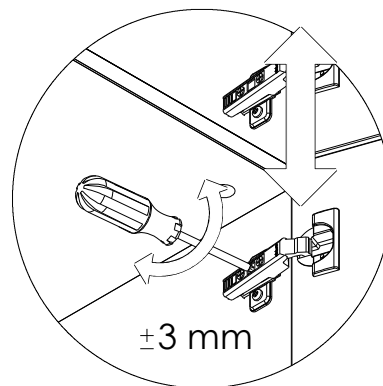
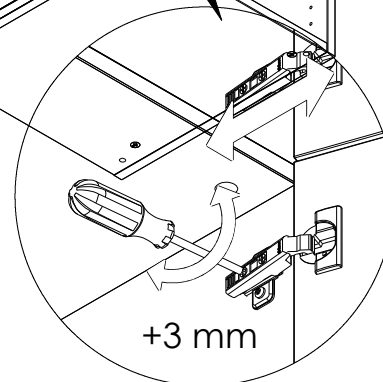
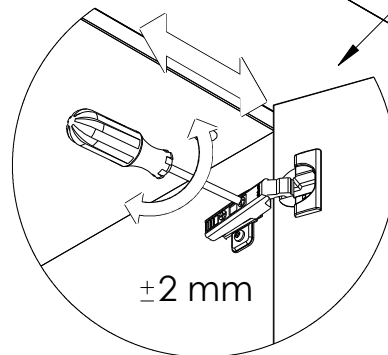
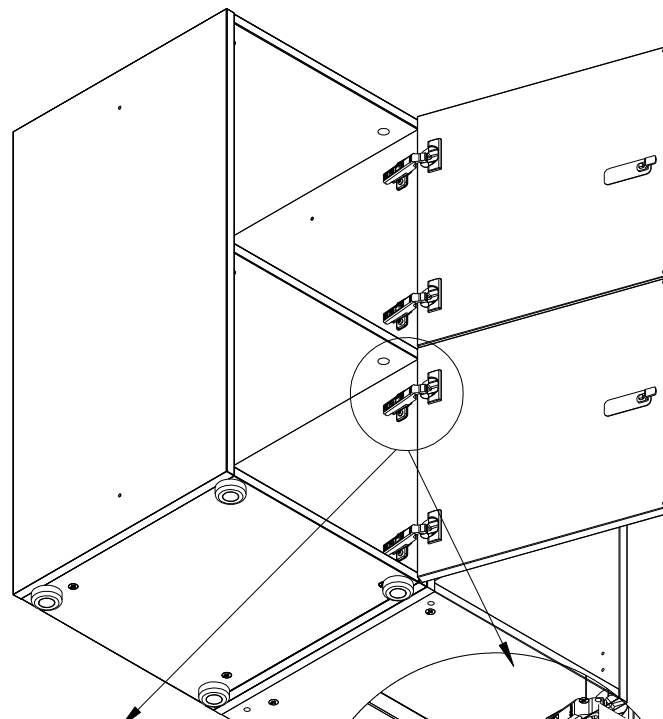


2

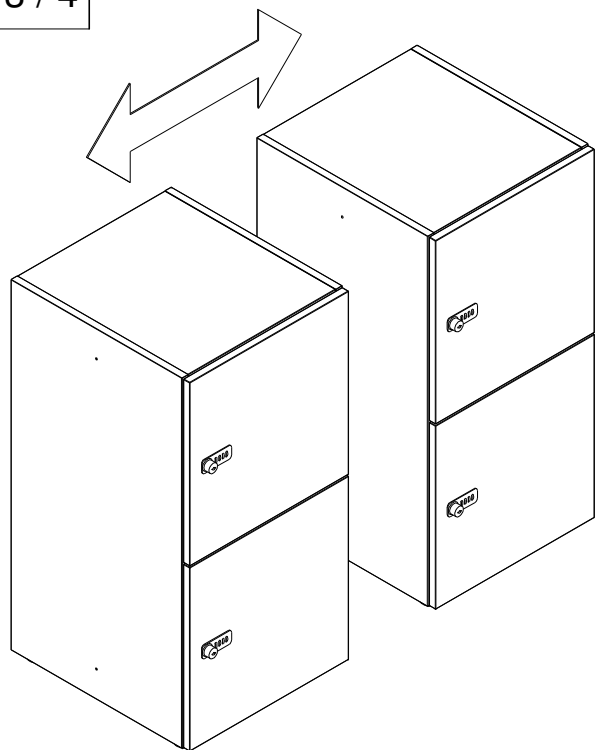


3

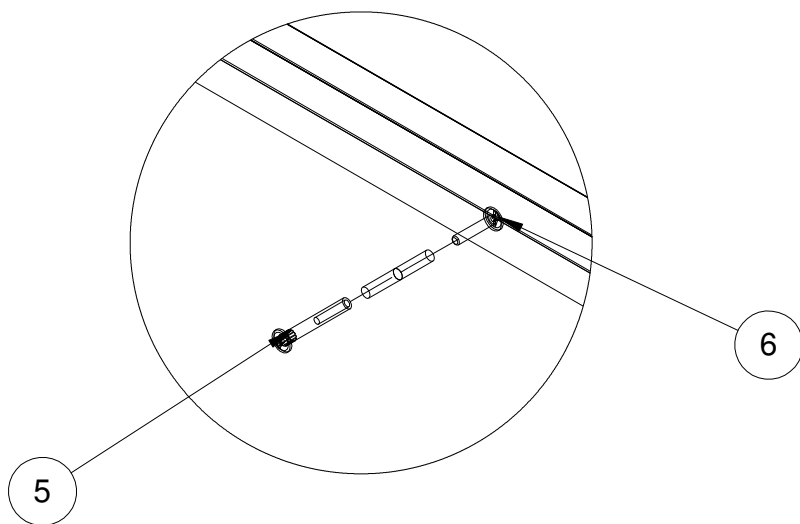
Door calibration instruction



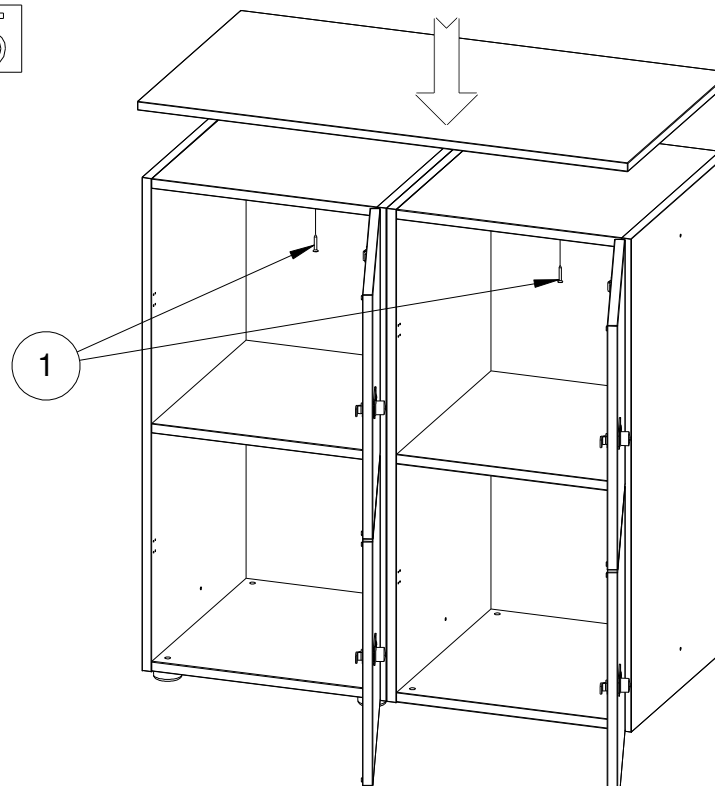
4



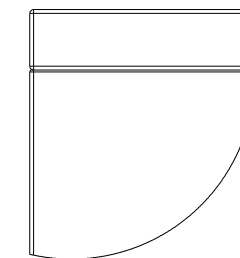
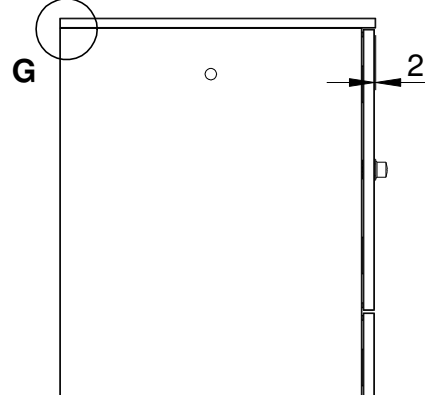
Connect the columns using the fittings 5 and 6.



5



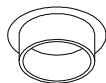
Roof decor alignment



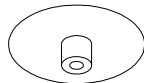
Align the decor roof to the back of the cabinet

6

4



2



7



Finishing touches.

Use the caps and plugs to hide the unwanted holes.

