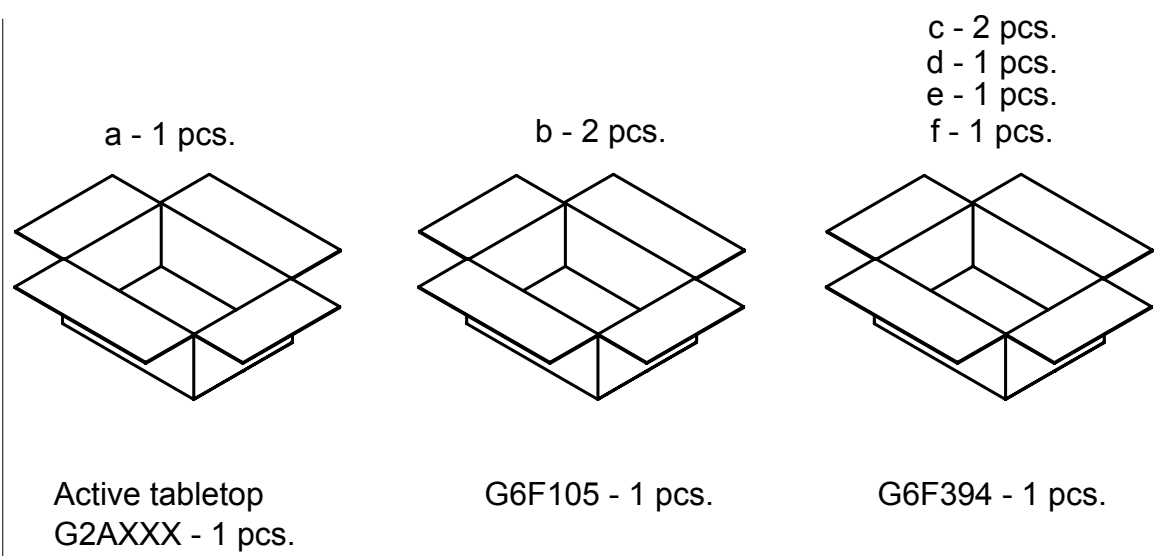
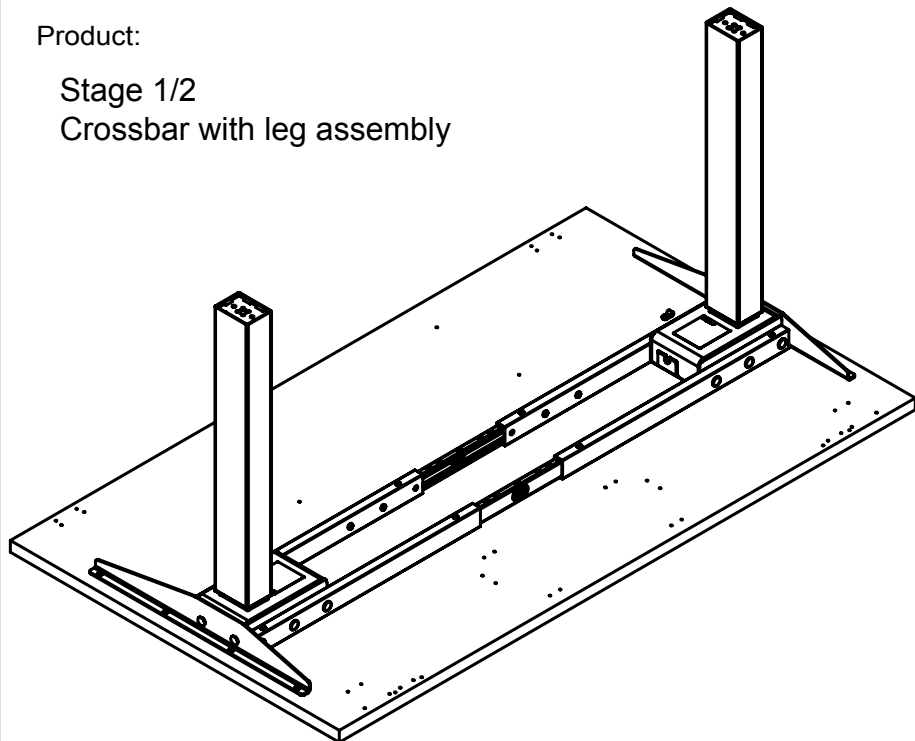


Assembly scheme

- Hardware:
- ① ISO7380 M8x14 x4
 - ② ISO10642 M8x25 x8
 - ③ ISO10642 M8x16 x4
 - ④ ISO4042 4.5x20 x8
 - ⑤ ISO4042 5x50 x8
 - ⑥ D18 x12
 - ⑦ D16 x6

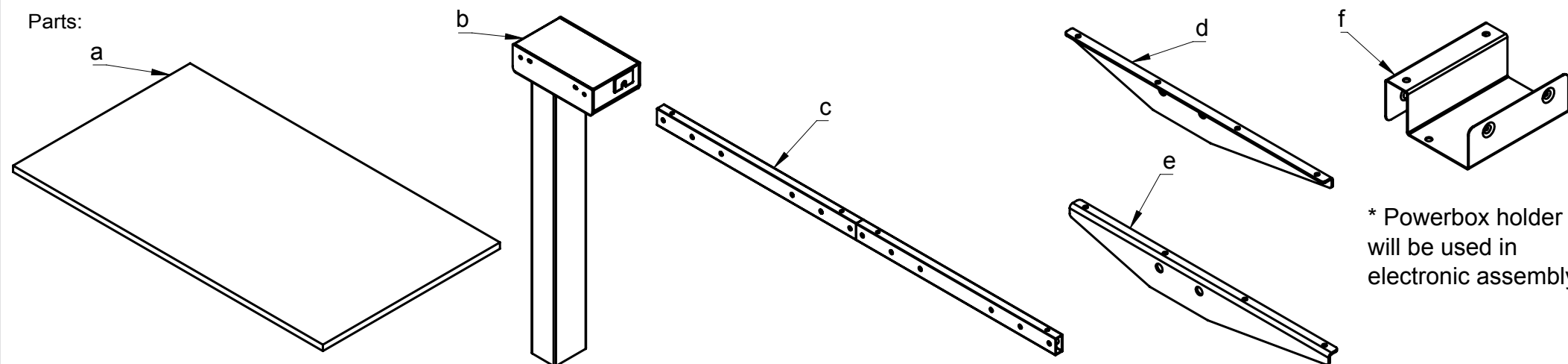
Product:

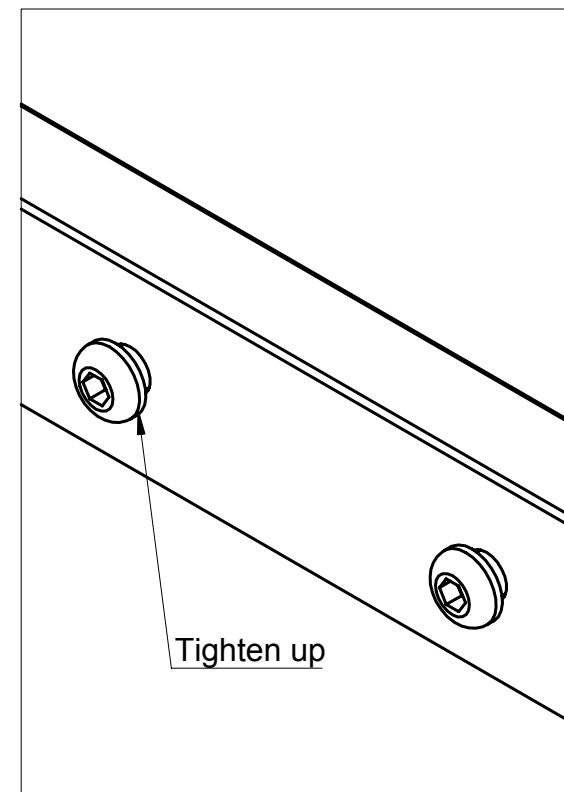
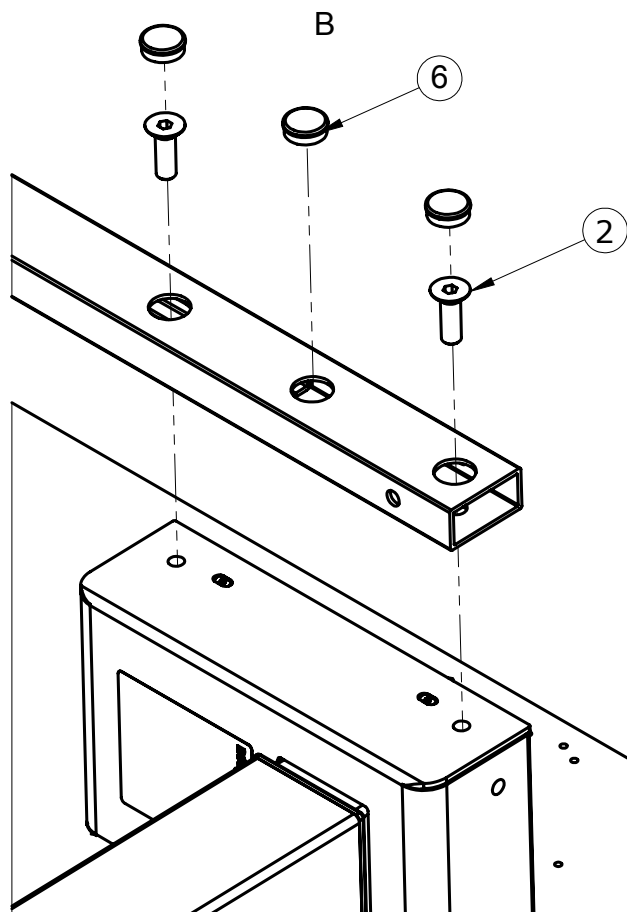
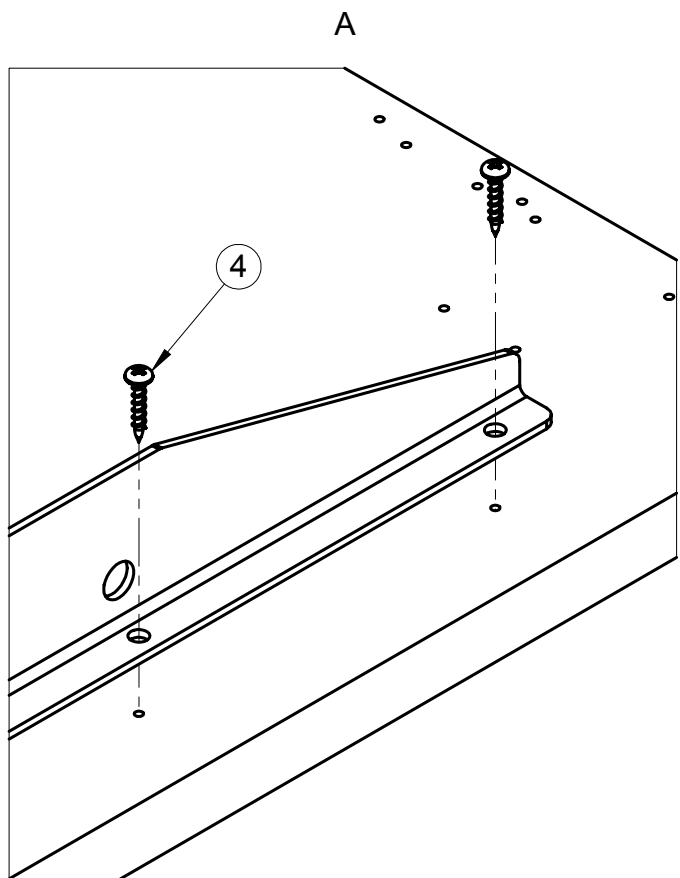
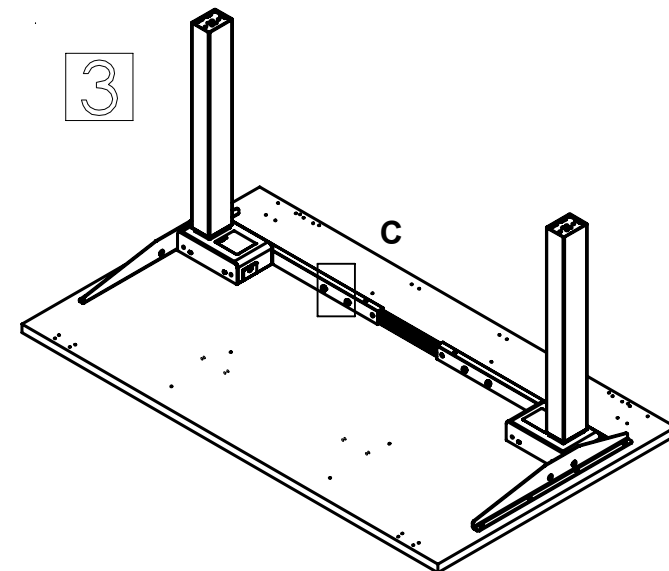
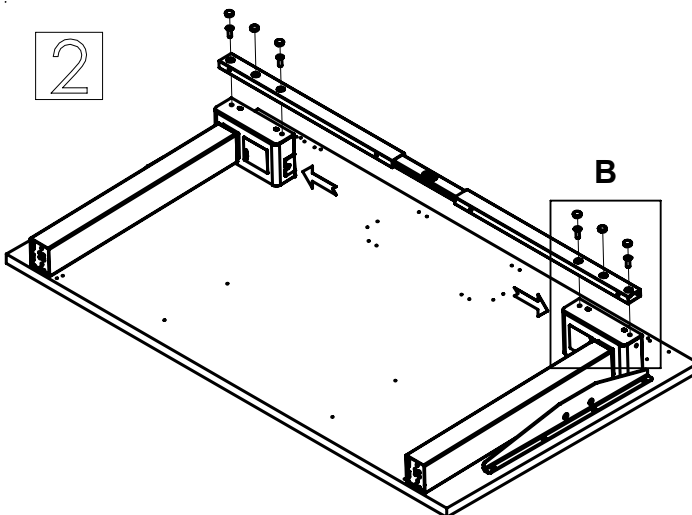
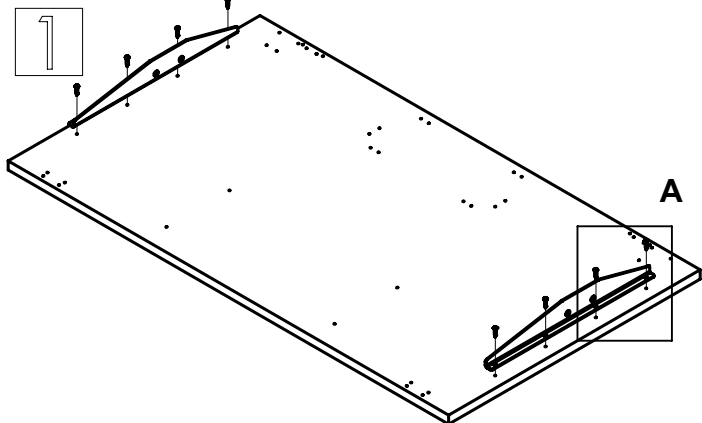
Stage 1/2
Crossbar with leg assembly



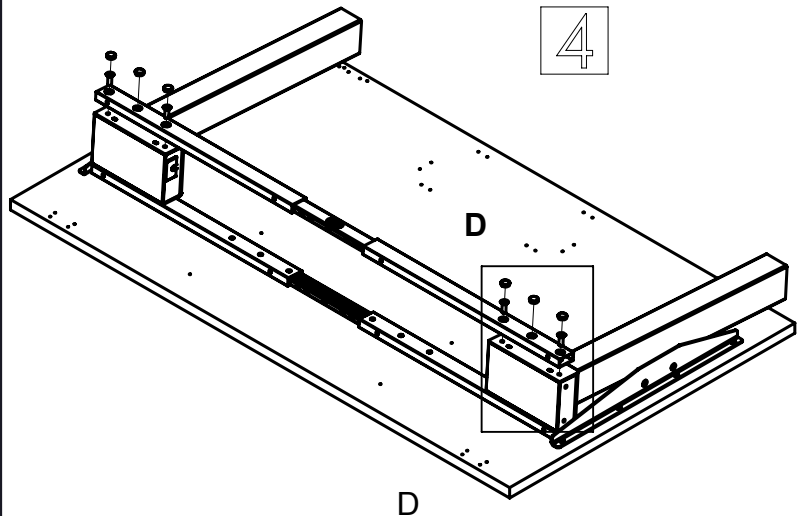
* Hardware included

Parts:

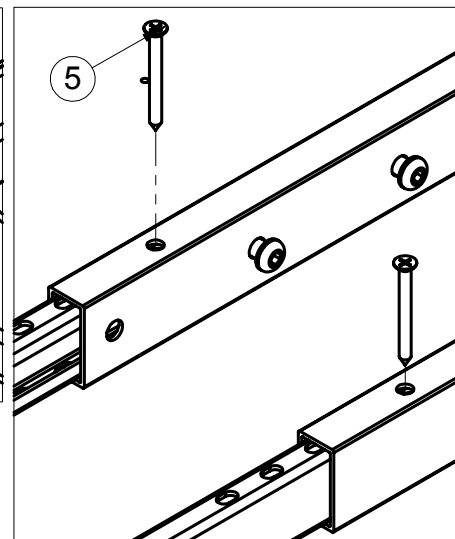
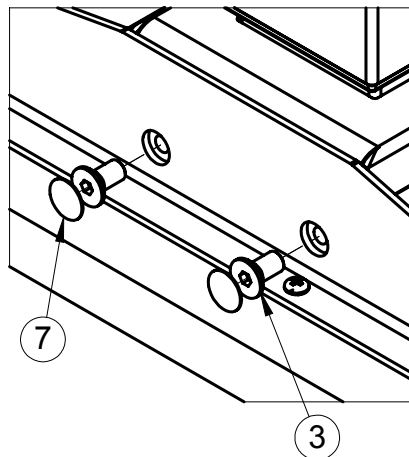
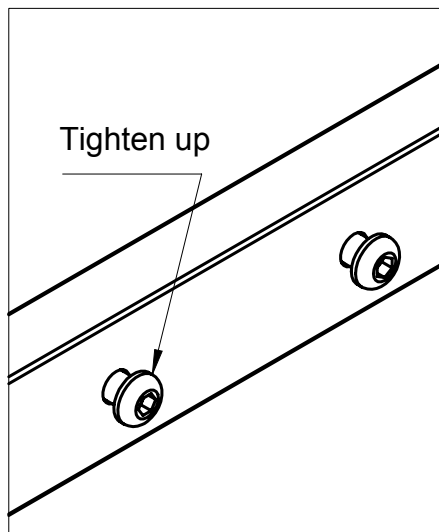
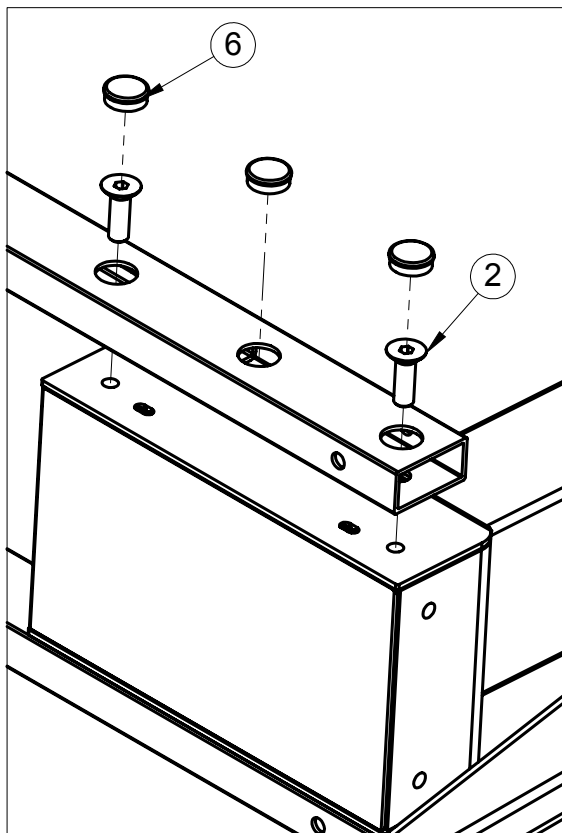
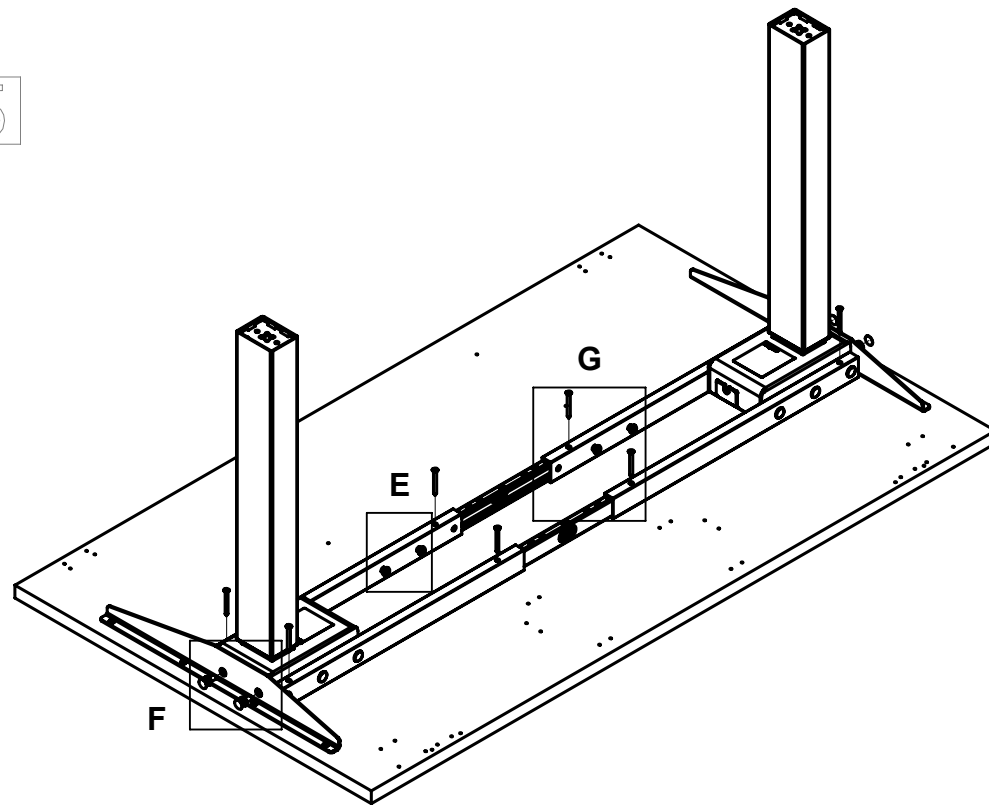




4

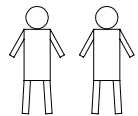


5

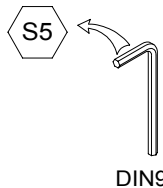


M60EU012

4 / 9



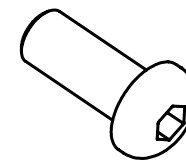
Two persons
Required tools:



Hardware:



ISO7380
M8x14



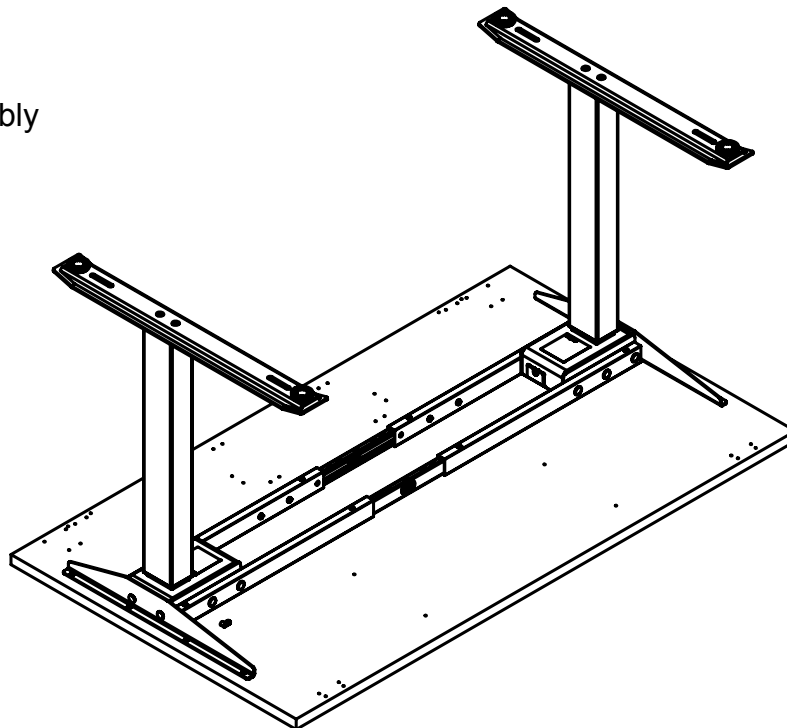
(Bolts in G6F394)

x4

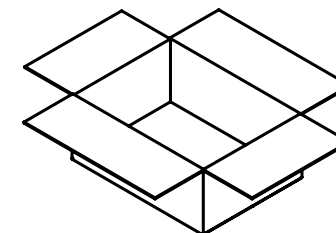
Product:

Stage 2/2

Metal foot assembly

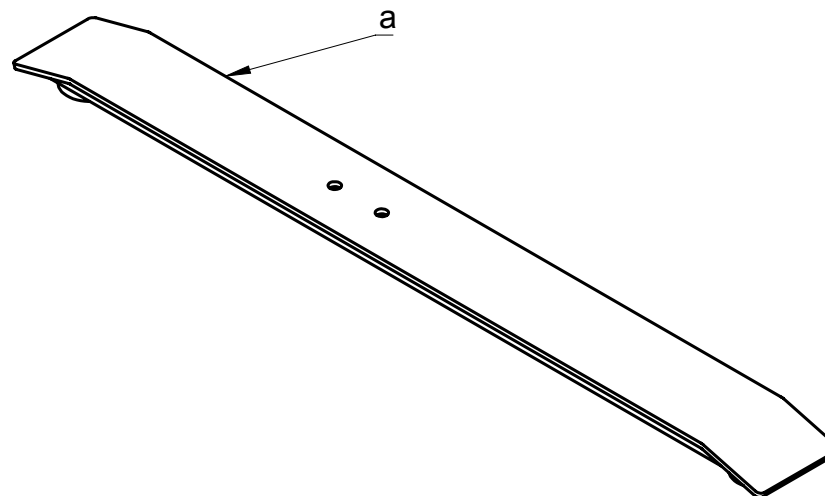


a - 2 pcs.

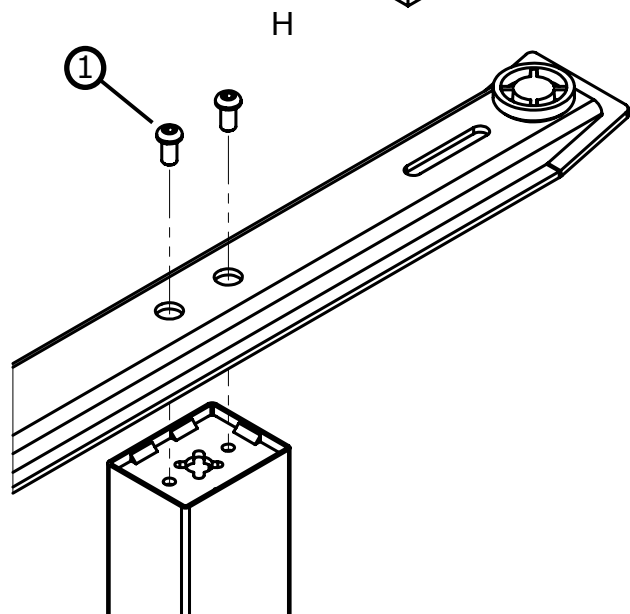
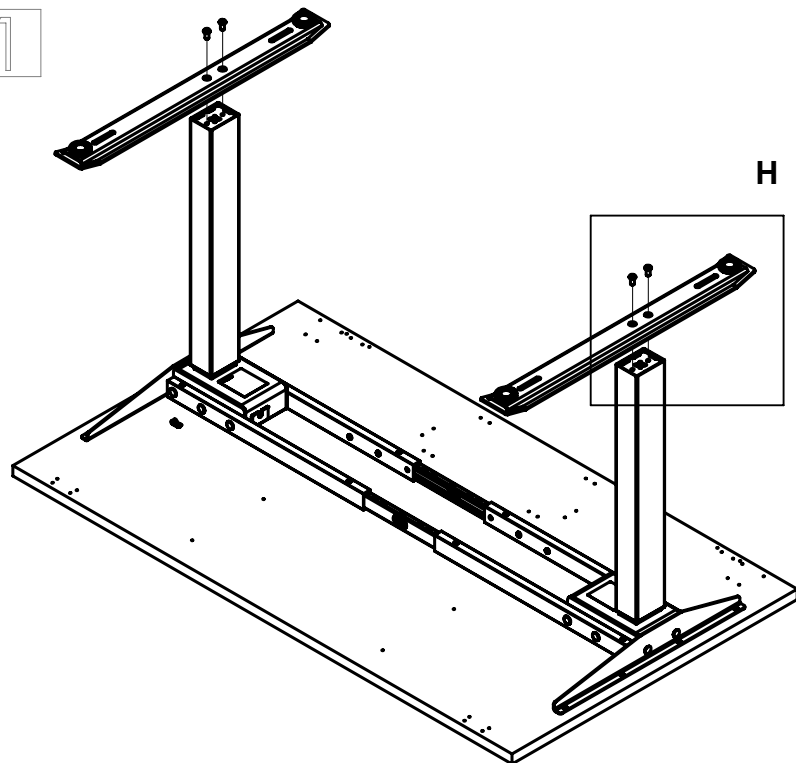


G3P023 - 1 pcs.

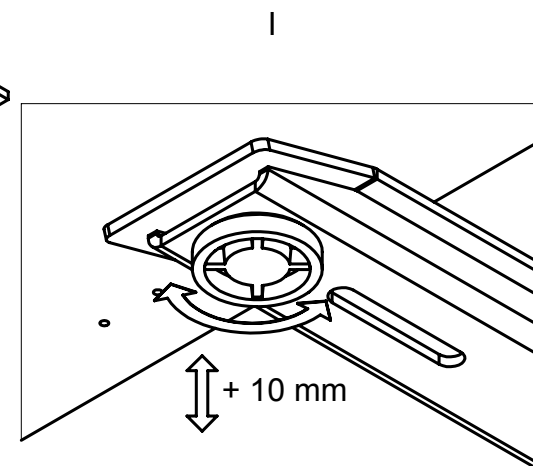
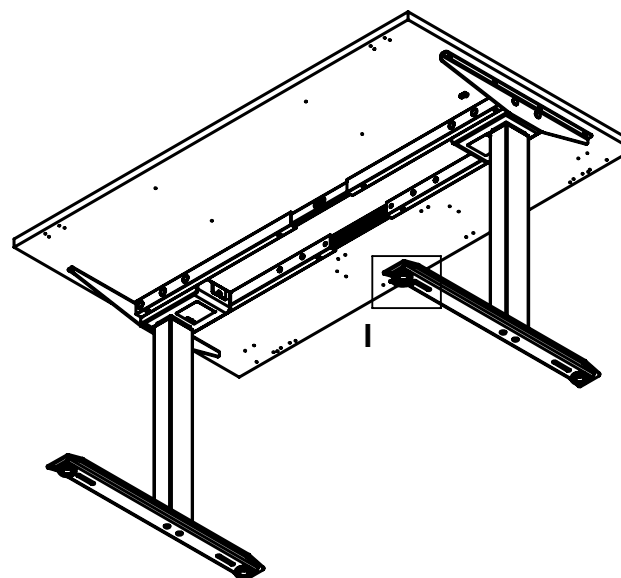
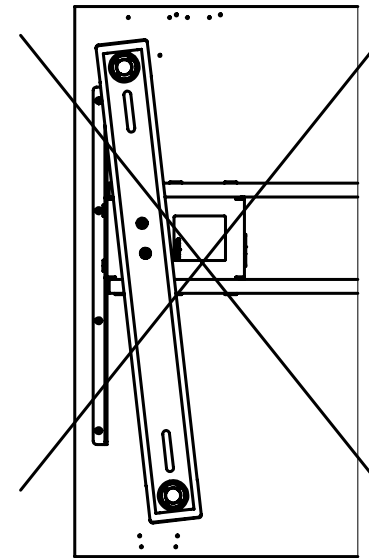
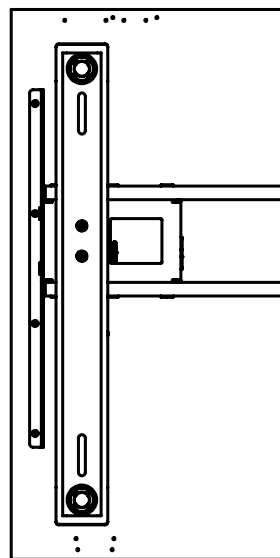
Parts:



1

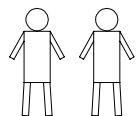


* Attention ! First check if metal foot is symmetric.
Then tighten up.

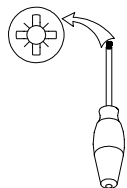


M60EU012

6 / 9

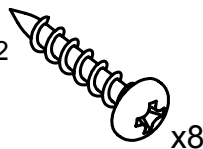


Two persons
Required tools:

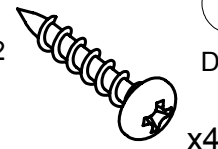


Hardware:

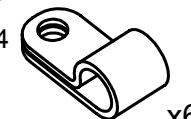
①
ISO4042
4.5x20



②
ISO4042
3.5x20

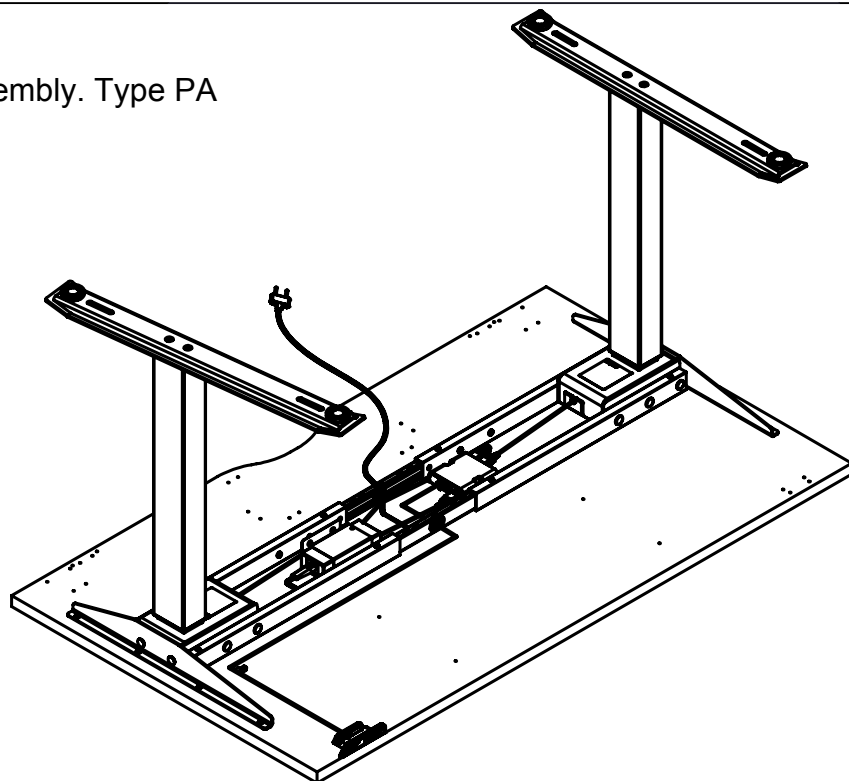


③
D 7.4

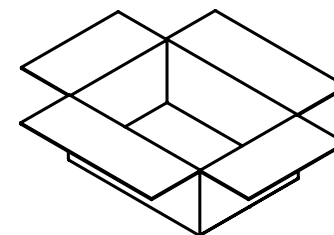


Assembly scheme

Product:
Electricity assembly. Type PA



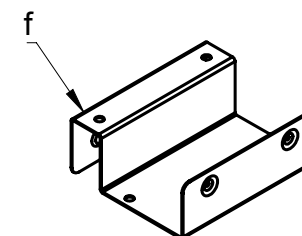
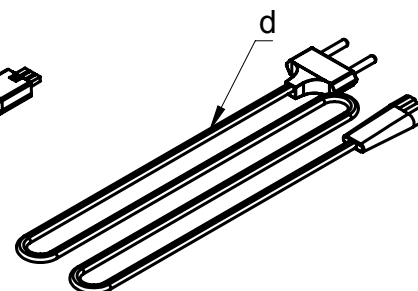
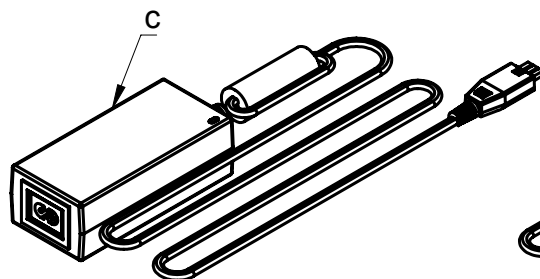
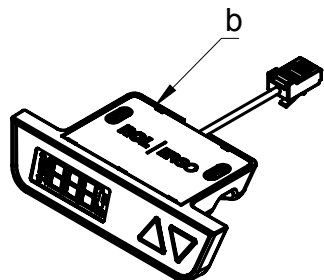
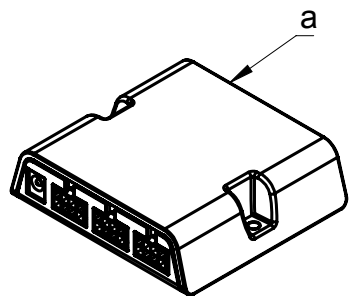
a - 1 pcs.
b - 1 pcs.
c - 1 pcs.
d - 1 pcs.



G6F391-PA or G6F393-PA - 1 pcs.

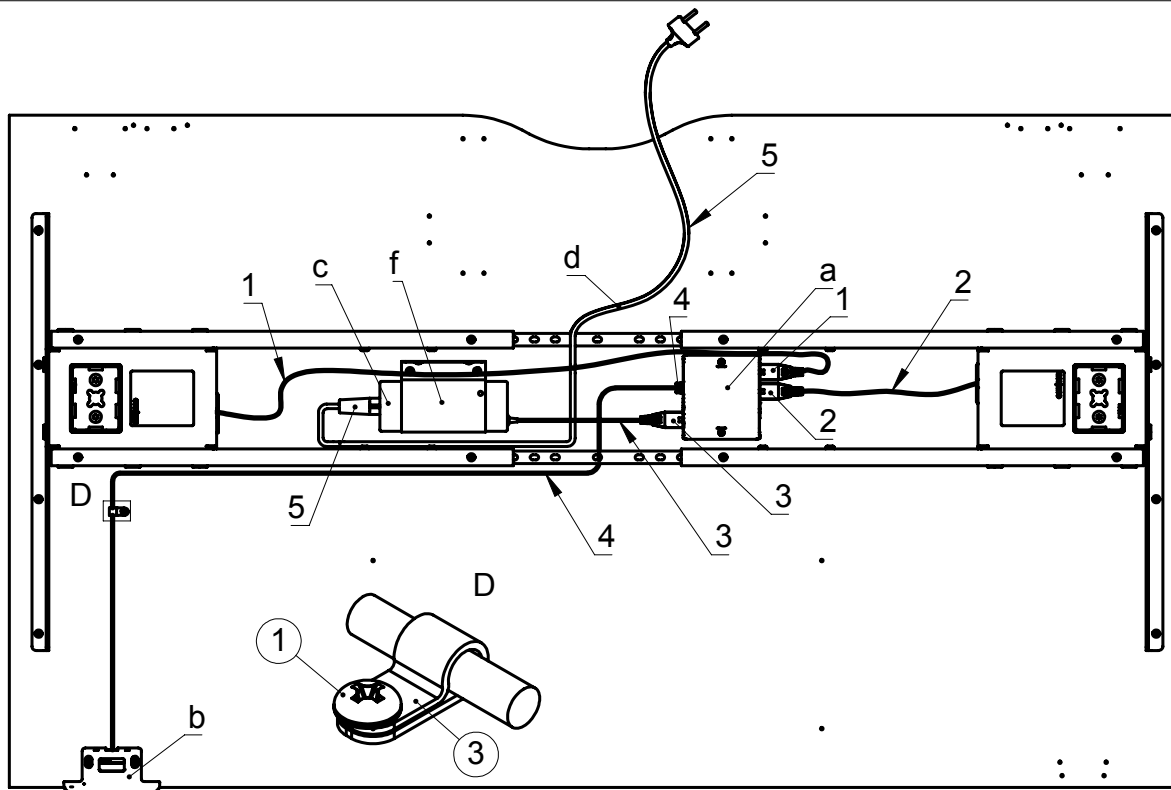
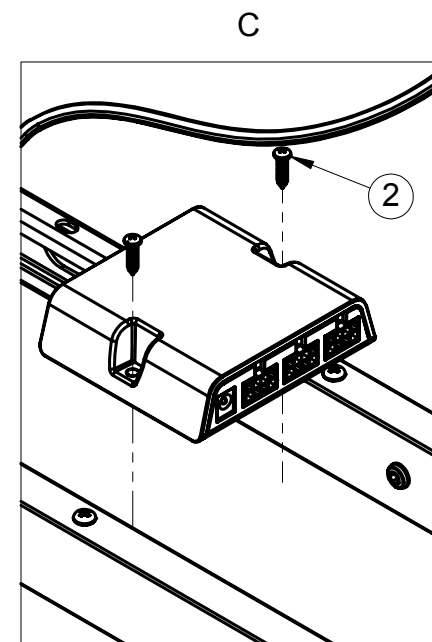
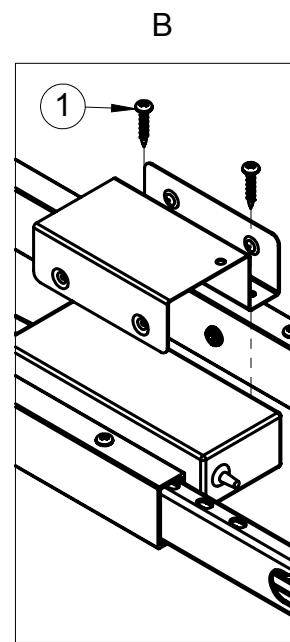
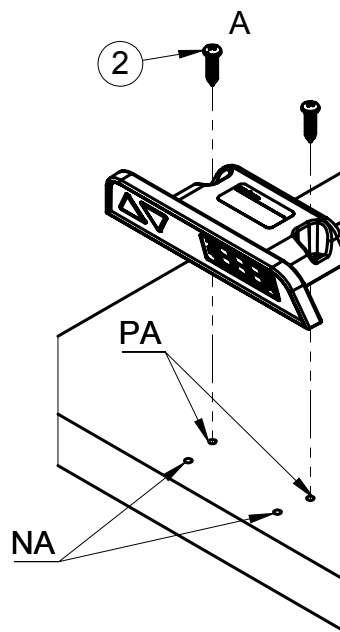
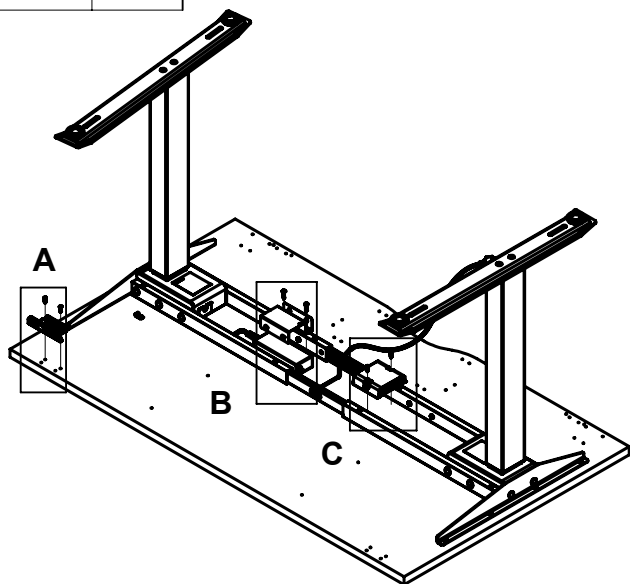
* Hardware included

Parts:



* Power cable depend on
the region socket type

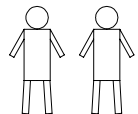
* From G6F394 package



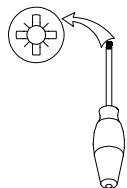
1. Column cable
2. Column cable
3. Power cable for controlbox
4. Type PA control unit cable
5. Main power cable

M60EU012

8 / 9



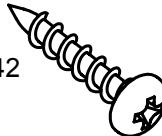
Two persons
Required tools:



Hardware:

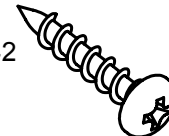
1

ISO4042
4.5x20



2

ISO4042
3.5x20



x8

3

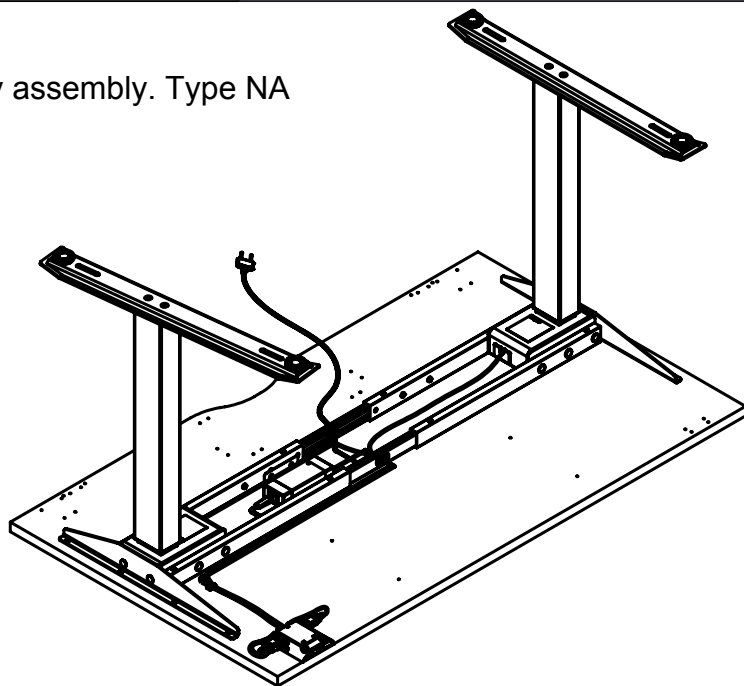
D 7.4



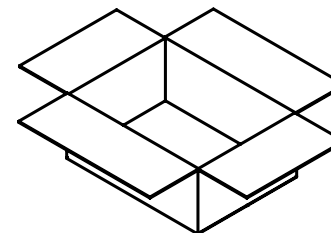
x6

Assembly scheme

Product:
Electricity assembly. Type NA



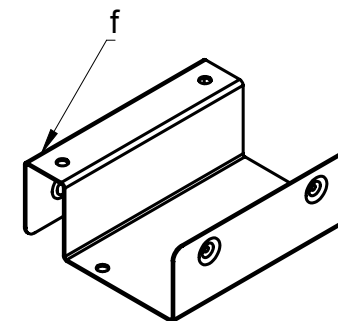
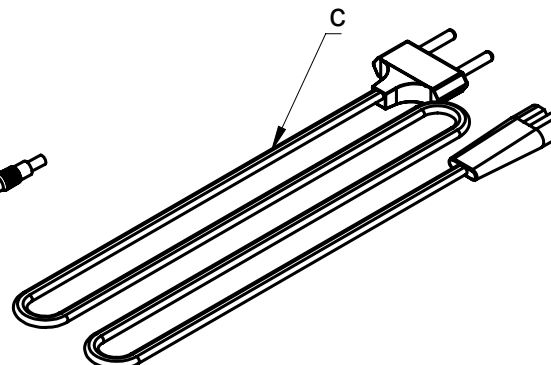
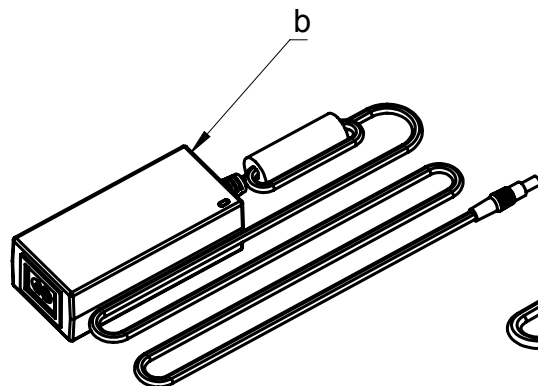
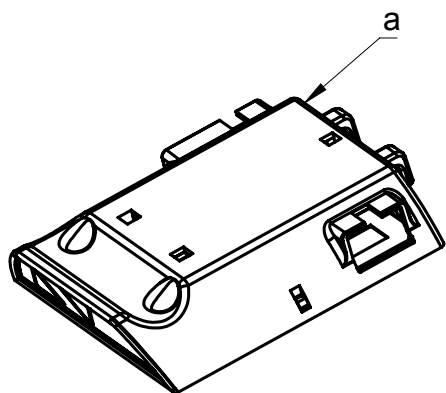
a - 1 pcs.
b - 1 pcs.
c - 1 pcs.



G6F391-NA or G6F393-NA - 1 pcs.

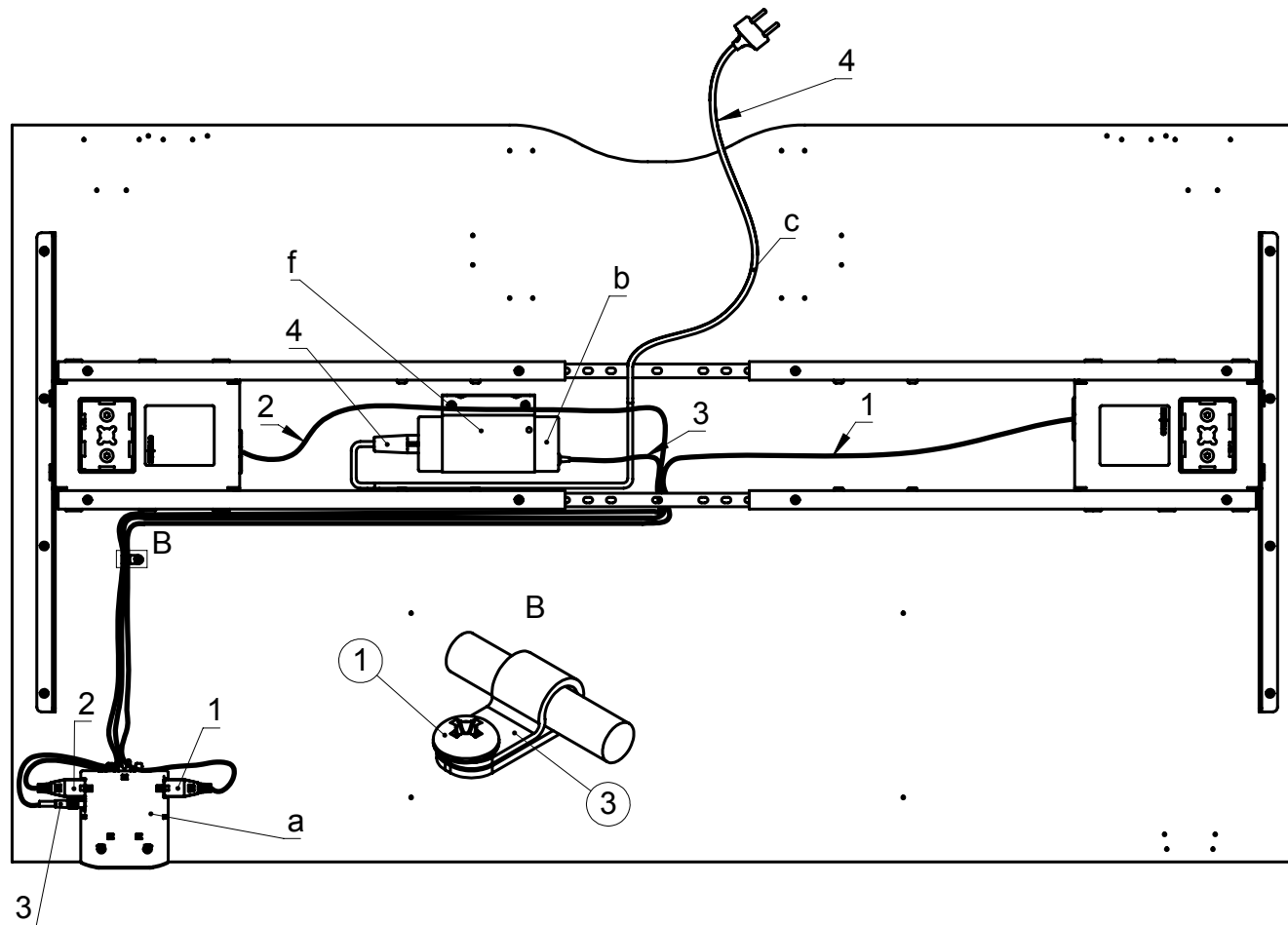
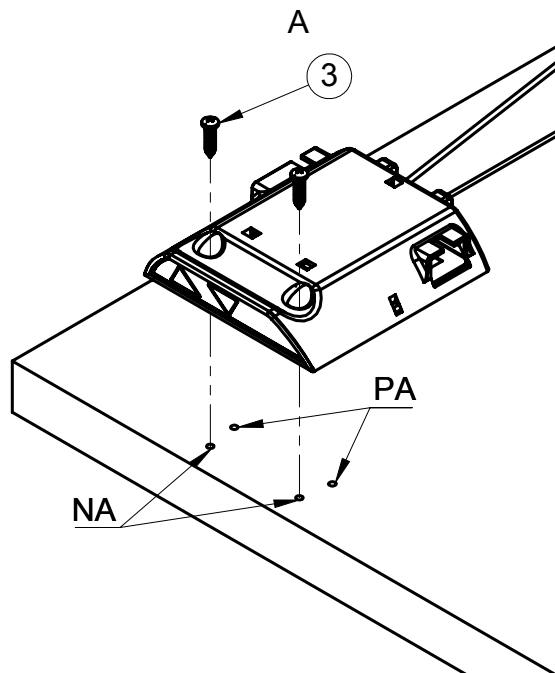
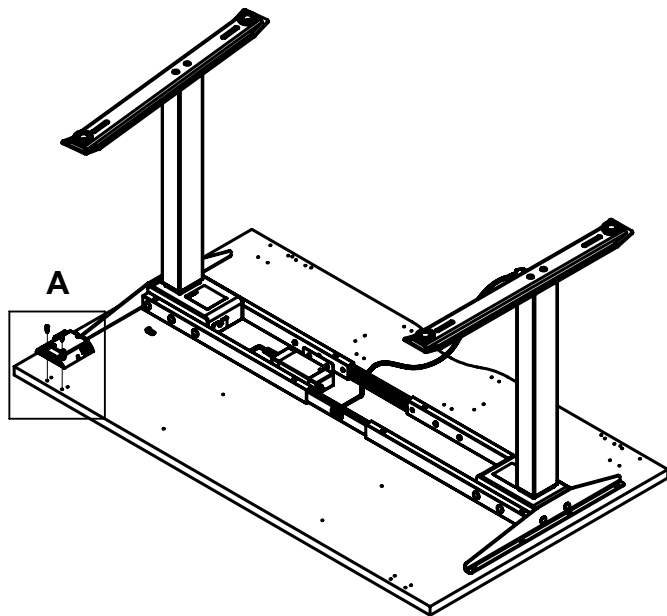
* Hardware included

Parts:



* Power cable depends on
the region socket type

* From G6F394 package



1. Column cable
2. Column cable
3. Power cable for controlbox
4. Main power cable