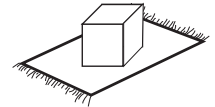


GENERAL NOTE: CAREFULLY REMOVE ALL WRAPPING MATERIALS AND ENSURE ALL PARTS ARE ACCOUNTED FOR. ASSEMBLE ON A CLEAN FLAT SURFACE TO AVOID SCRATCHES. DO NOT DISCARD THE PACKAGING UNTIL ITEM IS FULLY ASSEMBLED.



1. Follow each step of instructions in the correct order, if not, assembly difficulties will occur and can result in injury and/or damage to the product.
2. For your safety, assembly by two (2) people is highly recommended.
3. Use the parts and hardware list below to identify and separate each of the pieces included.
4. Do not fully tighten all bolts until all parts are in place. Failure to follow these instructions may cause the bolts to misalign during assembly.
5. If using power tools to aid in assembly, please use caution. Power tools can damage the hardware and/or the product itself, which will void the warranty.
6. For the hydraulic system to work safely and properly, complete the bed with a mattress weighing maximum 220 lbs.

HARDWARE LIST

ITEM	QTY	DESCRIPTION	NO.	QTY	DESCRIPTION
A	2	Headboard legs (pre-attached to headboard)	H	2	Hydraulic
B	4	50 mm bolt (pre-attached to headboard)	I	6	Cross bar
C	4	Frame leg	J	56	M8 - 30MM
D	2	A-45 Bracket	K	1	Y8
E	1	B-45 Bracket	L	1	M8 - 20MM
F	2	C-45 Bracket (for headboard)	M	6	M8 - 40MM
G	4	D-45 Bracket (for footboard)	N	1	Bed draw strap

***Tip for attaching fabric cover** - Peel away the velcro cover as you make your way across from the top, then pulling firmly at the bottom and attaching in the same way. Start at the outside corners and make your way to the headboard so there is enough extra leeway to have the rail tuck into the headboard.

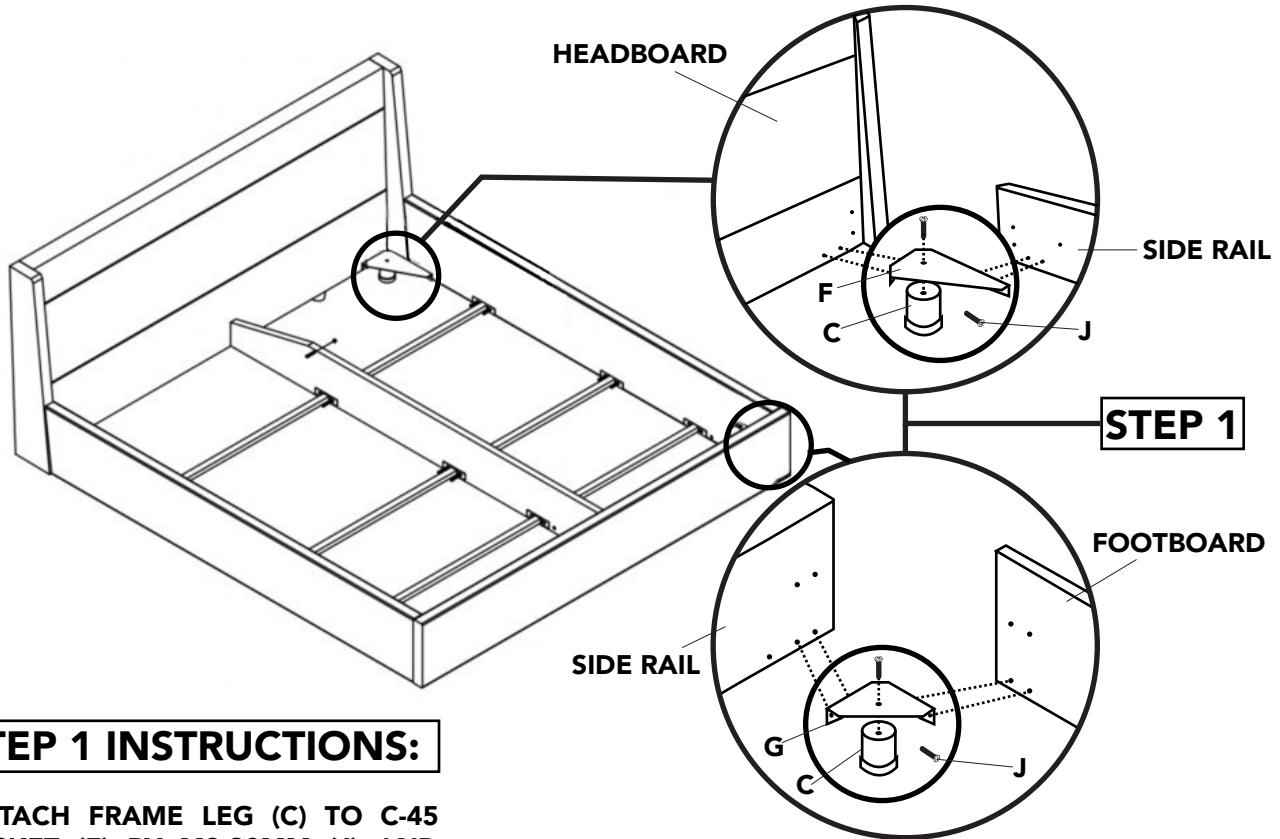
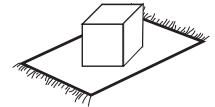
COMPLETED ASSEMBLY



TOOLS NEEDED

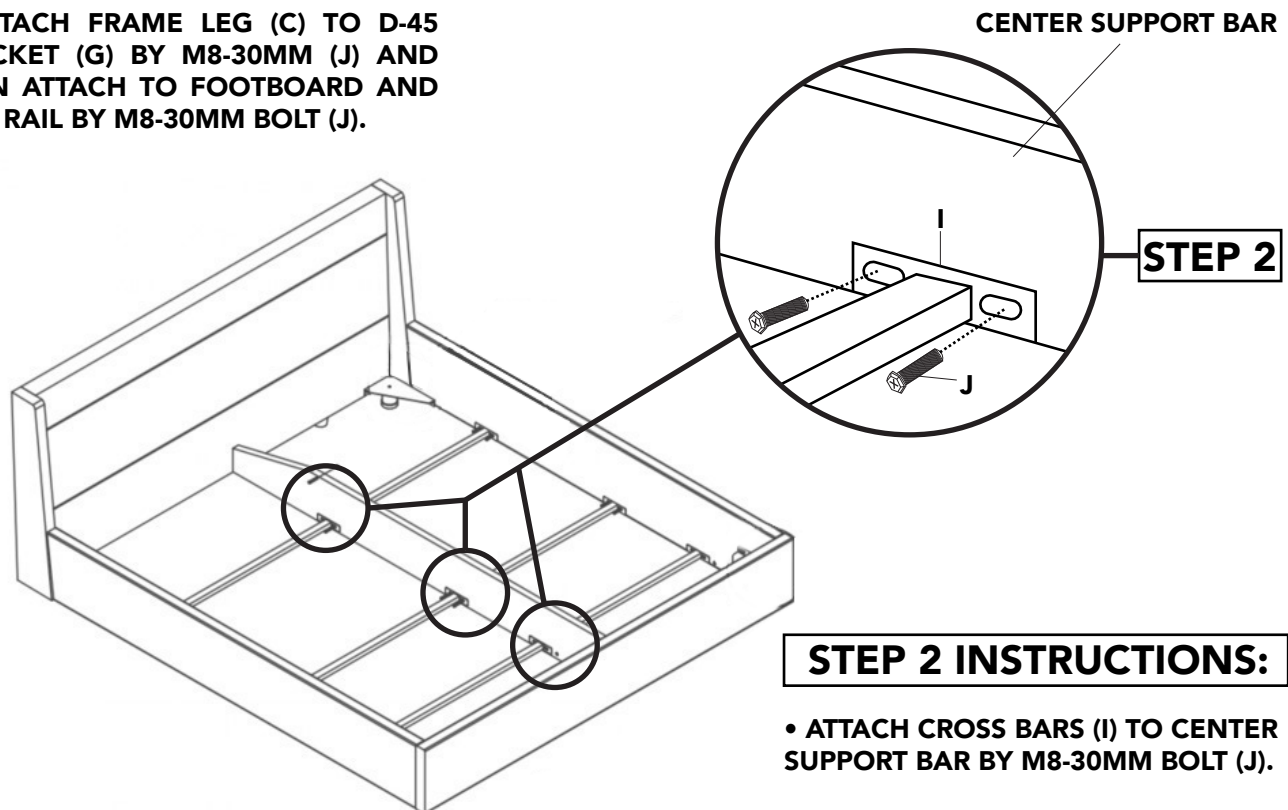


GENERAL NOTE: CAREFULLY REMOVE ALL WRAPPING MATERIALS AND ENSURE ALL PARTS ARE ACCOUNTED FOR. ASSEMBLE ON A CLEAN FLAT SURFACE TO AVOID SCRATCHES. DO NOT DISCARD THE PACKAGING UNTIL ITEM IS FULLY ASSEMBLED.



STEP 1 INSTRUCTIONS:

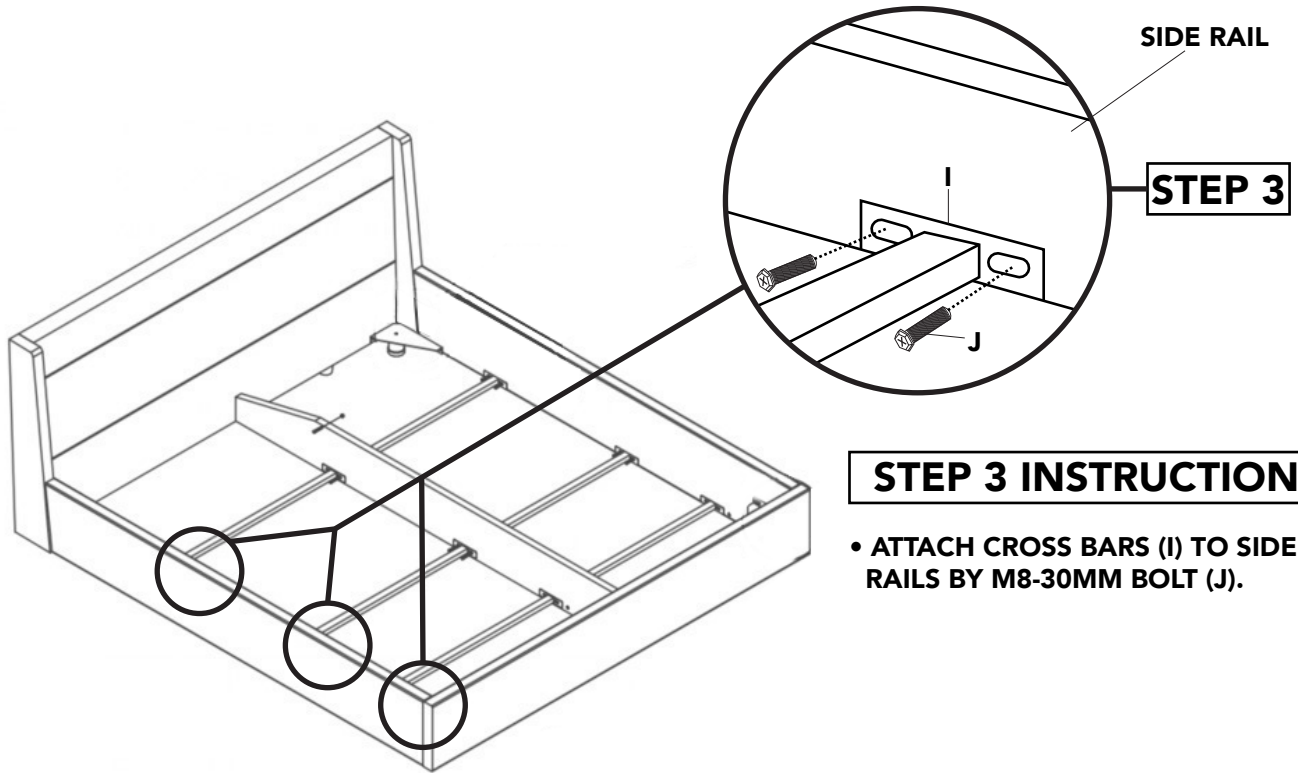
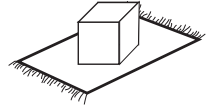
- ATTACH FRAME LEG (C) TO C-45 BRACKET (F) BY M8-30MM (J) AND THEN ATTACH TO HEADBOARD AND SIDE RAIL BY M8-30MM BOLT (J).
- ATTACH FRAME LEG (C) TO D-45 BRACKET (G) BY M8-30MM (J) AND THEN ATTACH TO FOOTBOARD AND SIDE RAIL BY M8-30MM BOLT (J).



STEP 2 INSTRUCTIONS:

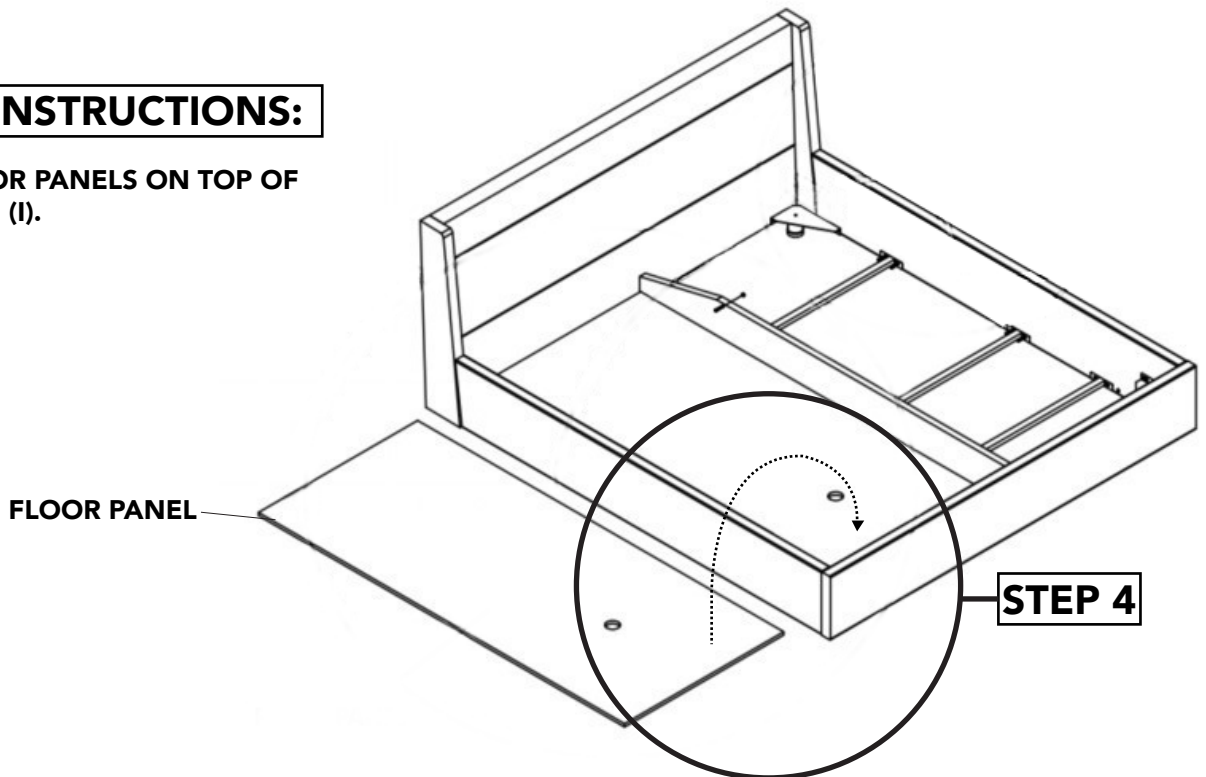
- ATTACH CROSS BARS (I) TO CENTER SUPPORT BAR BY M8-30MM BOLT (J).

GENERAL NOTE: CAREFULLY REMOVE ALL WRAPPING MATERIALS AND ENSURE ALL PARTS ARE ACCOUNTED FOR. ASSEMBLE ON A CLEAN FLAT SURFACE TO AVOID SCRATCHES. DO NOT DISCARD THE PACKAGING UNTIL ITEM IS FULLY ASSEMBLED.

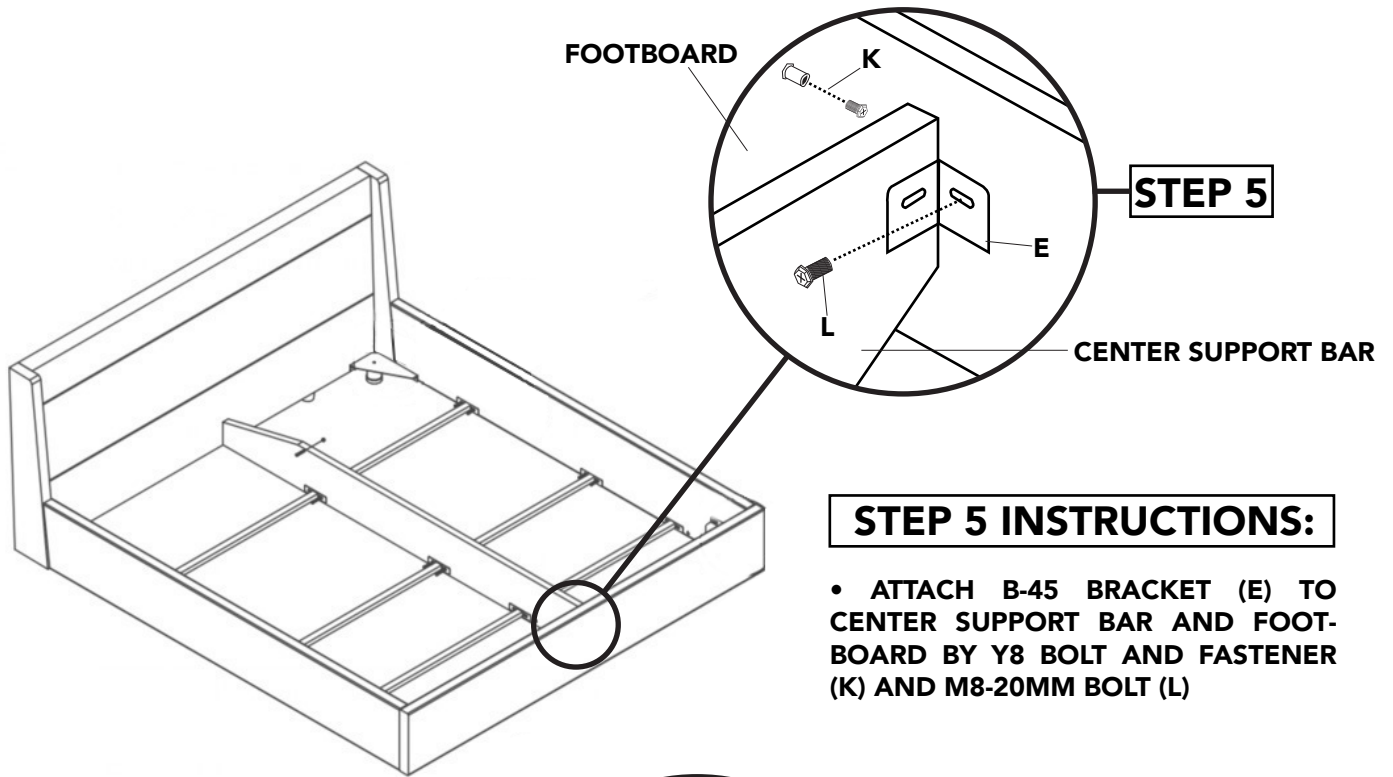
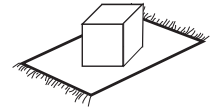


STEP 4 INSTRUCTIONS:

- PLACE FLOOR PANELS ON TOP OF CROSS BARS (I).



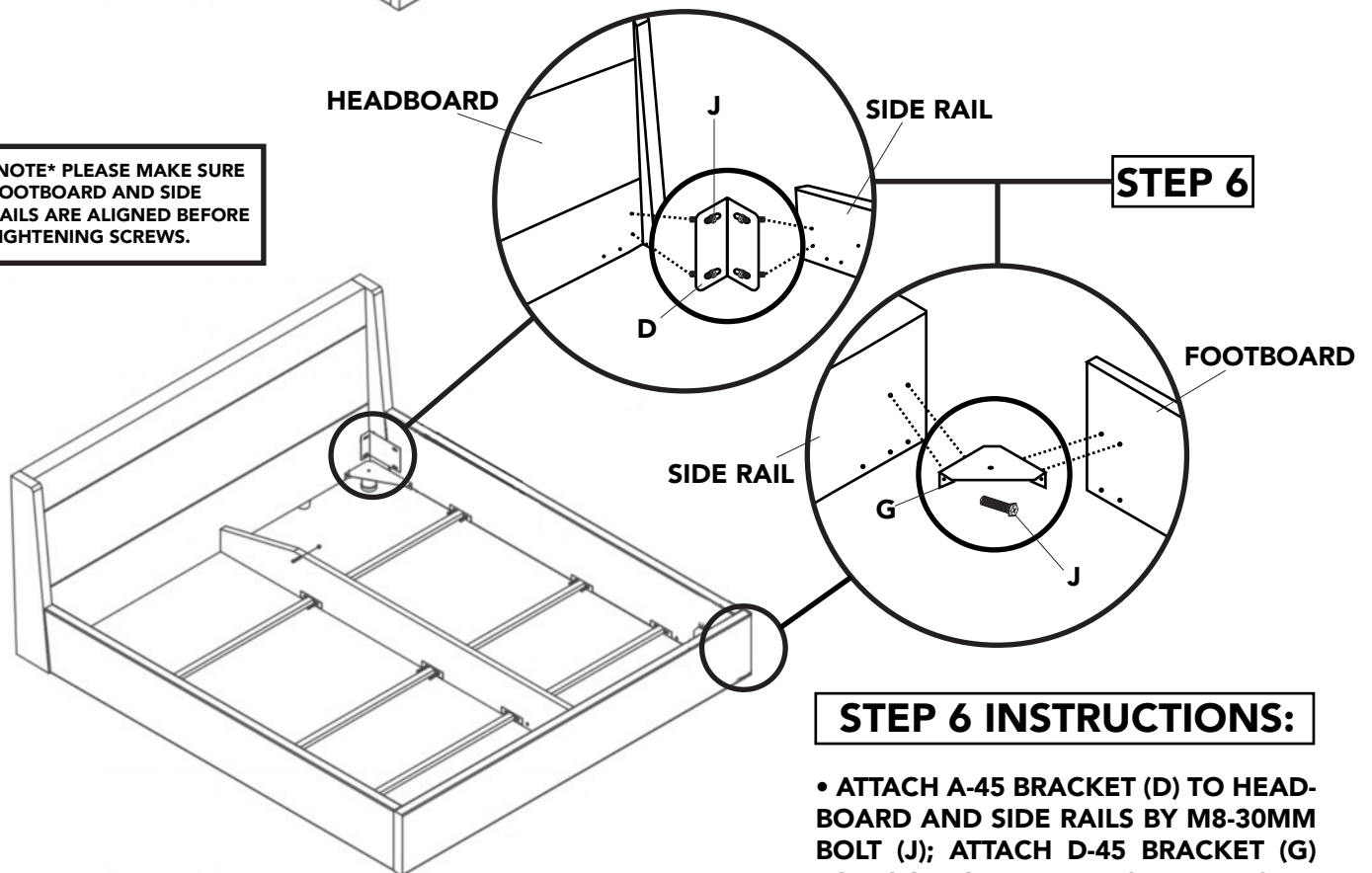
GENERAL NOTE: CAREFULLY REMOVE ALL WRAPPING MATERIALS AND ENSURE ALL PARTS ARE ACCOUNTED FOR. ASSEMBLE ON A CLEAN FLAT SURFACE TO AVOID SCRATCHES. DO NOT DISCARD THE PACKAGING UNTIL ITEM IS FULLY ASSEMBLED.



STEP 5 INSTRUCTIONS:

- ATTACH B-45 BRACKET (E) TO CENTER SUPPORT BAR AND FOOTBOARD BY Y8 BOLT AND FASTENER (K) AND M8-20MM BOLT (L)

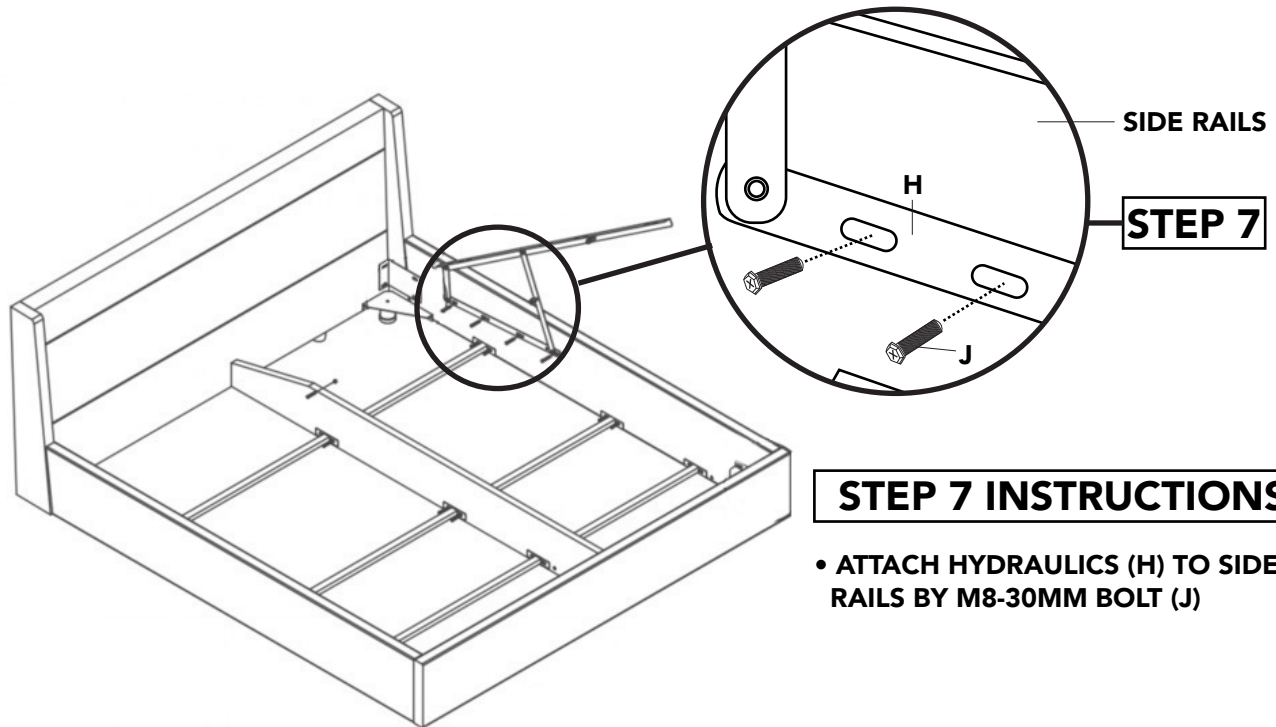
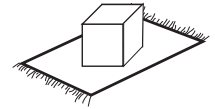
• ***NOTE*** PLEASE MAKE SURE FOOTBOARD AND SIDE RAILS ARE ALIGNED BEFORE TIGHTENING SCREWS.



STEP 6 INSTRUCTIONS:

- ATTACH A-45 BRACKET (D) TO HEADBOARD AND SIDE RAILS BY M8-30MM BOLT (J); ATTACH D-45 BRACKET (G) TO FOOTBOARD AND SIDE RAILS BY M8-30MM BOLT (J)

GENERAL NOTE: CAREFULLY REMOVE ALL WRAPPING MATERIALS AND ENSURE ALL PARTS ARE ACCOUNTED FOR. ASSEMBLE ON A CLEAN FLAT SURFACE TO AVOID SCRATCHES. DO NOT DISCARD THE PACKAGING UNTIL ITEM IS FULLY ASSEMBLED.



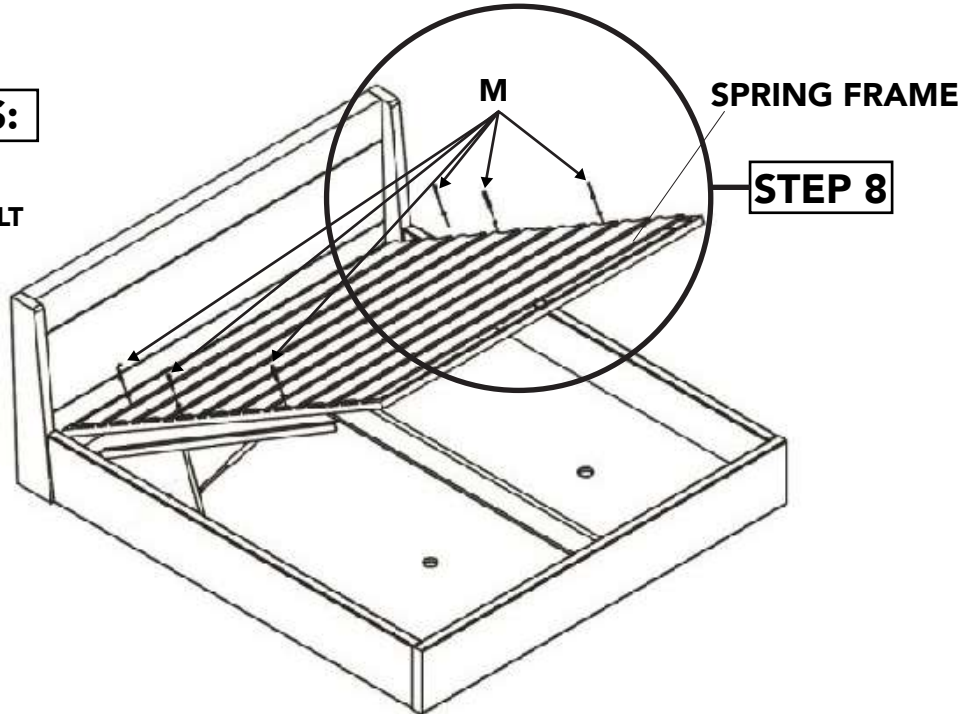
STEP 7

STEP 7 INSTRUCTIONS:

- ATTACH HYDRAULICS (H) TO SIDE RAILS BY M8-30MM BOLT (J)

STEP 8 INSTRUCTIONS:

- ATTACH SPRING FRAME TO HYDRAULICS (H) BY M8-40MM BOLT AND NUT (M)
- ***TIP*** ATTACH THE BED DRAW STRAP (N) INCLUDED IN THE PRODUCT TO THE MIDDLE END OF THE SPRING FRAME FOR EASY LIFT-UP.



STEP 8

CAUTION/WARNING:

To avoid any damage on the hydraulics and bed, please do not pull down the spring frame without putting the mattress on first as the added counterweight will help alleviate the motion and mechanism on the hydraulics. Any damages caused by forcefully pulling down the spring frame by itself will void the warranty. Maximum weight capacity is 220lbs. Do not allow children to play inside the storage bed. Improper use of product can result in serious injury or death.