

Zen

technical specification



.mdd

MDD has a leading position among manufacturers of office furniture with many awards that prove quality and continuously increase demand for its products.

The realities of today's market require constant quality improvement at all levels of modern organization. This applies in particular to customer service, marketing, quality of products and also to quality of processes within the company. Partnership relations among employees and with business partners form a base of economic growth and success of the company.

Constant investments in innovative machinery park, optimization of management systems and an expansion of production halls allow to minimize the lead times for the product of the highest quality.

More than twenty years of experience in office furniture industry come with reference from a long list of companies and institutions to show their appreciation for an efficient and comprehensive service.

MDD is highly aware of the environment.

Being located in the forest region with lake by its side, MDD takes the nature seriously and invests constantly in a modern and energy-efficient solutions to preserve the local life. Company puts emphasis on waste segregation and recycling. MDD has been awarded for the exceptional care and involvement in waste disposal. All materials used are environmentally friendly and enjoy a high 95 % rate of being recycled.



General informations:

Warranty:

MDD products - **5 years.**
Electrical components and fabric - **2 years.**

Boards density:

12 mm - 690 - 750 kg/m³
18 mm - 650 - 690 kg/m³
28 mm - 610 - 630 kg/m³
36 mm - 610 - 630 kg/m³

Certificate - MFC:



Assembly:

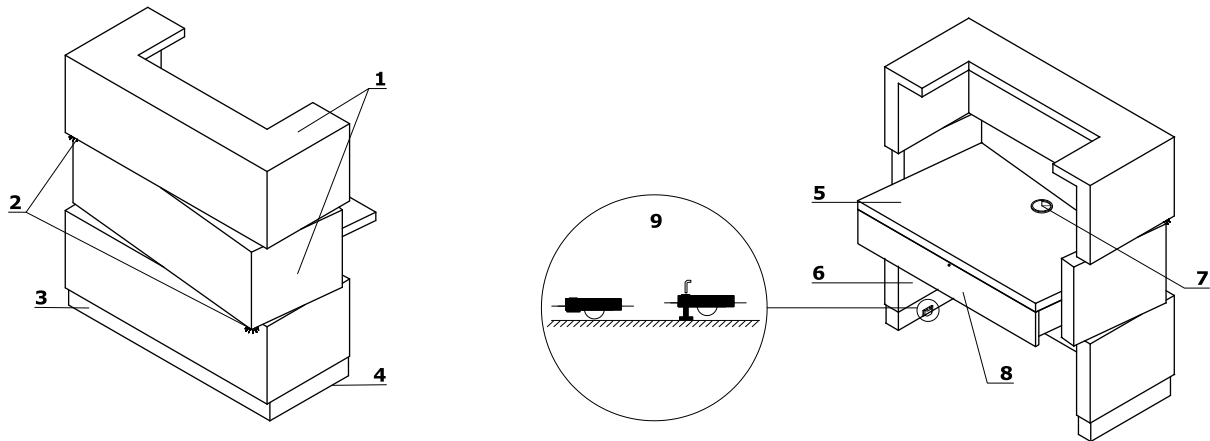
the product comes pre-assembled

Packing:

reception placed on a pallet,
secured with styrofoam

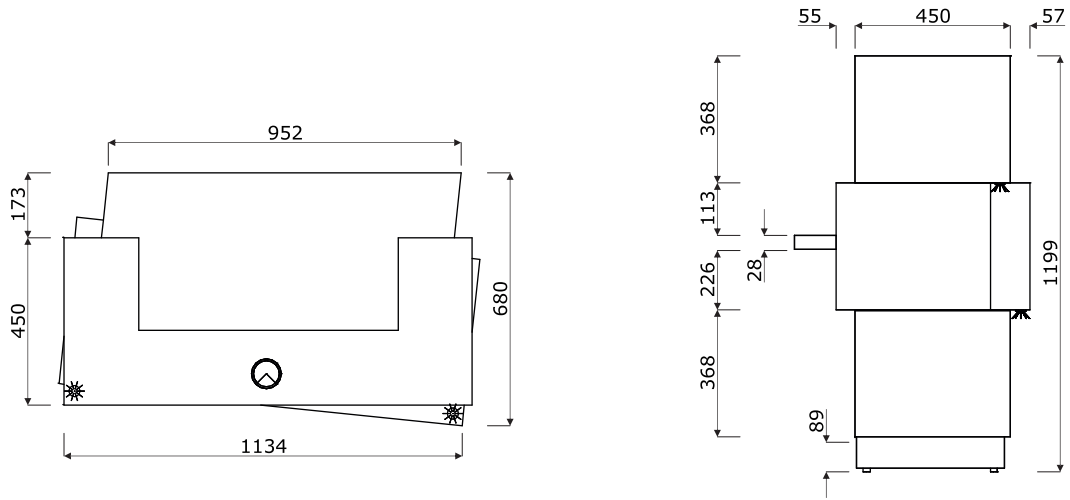
Technical specification

1. **Top and front** - HPL - mat
2. **LED illumination** - at the full length of the reception desk, cold white color (verging on the blue shade)
3. **Kick plate** - HPL - brushed aluminium
4. **Leveling** - 5 mm range
5. **Worktop** - MFC 28 mm; possible heights: 680 mm, 720 mm, 830 mm
6. **Reception interior** - MFC, colour: 67 - white pastel
7. **Cable grommets** - Ø80 mm
8. **OPTION WITH EXTRA CHARGE** - Drawer with lock
9. **Optional foot with wheels** - extra charge - 4pcs in a set (max. load for 1 wheel 120kg, max load for 1 foot 200kg)



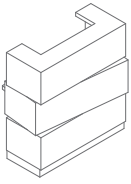
| | | | |
|------------|---|--|---|
| <p>Zen</p> | <p>Date of preparation 07.01.2020</p> | <p>The data contained in this document is valid in the day of its preparation. Change of the product, as long as it does not affect the basic features of it, does not require consistent updates of the document.</p> | <p>page 3/6 technical specification</p> |
|------------|---|--|---|

Dimensions

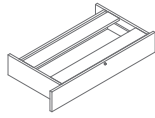


| | | | |
|------------|-----------------------------------|---|------------------------|
| Zen | Date of preparation 07.01.2020 | The data contained in this document is valid in the day of its preparation. Change of the product, as long as it does not affect the basic features of it, does not require consistent updates of the document. | page 4/6 |
| | | | dimensions (mm) |

Reception desks *



LZE10
1135 / 680 / 1200
100,5 kg



LZS01
948 / 493 / 160
13 kg

* dimensions expressed in millimeters: width x depth x height

| | | | |
|------------|-----------------------------------|---|-----------------|
| Zen | Date of preparation 07.01.2020 | The data contained in this document is valid in the day of its preparation. Change of the product, as long as it does not affect the basic features of it, does not require consistent updates of the document. | page 5/6 |
| | | | products |

Upper top, front - HPL



**26 Aluminum
satinato**



67 White pastel

Top, body



**26 Aluminum
satinato**



67 White pastel