

# Valde technical specification



.mdd

**MDD has a leading position among manufacturers of office furniture with many awards that prove quality and continuously increase demand for it's products.**

The realities of today`s market require constant quality improvement at all levels of modern organization. This applies in particular to customer service, marketing, quality of products and also to quality of processes within the company.

Partnership relations among employees and with business partners form a base of economic growth and success of the company.

Constant investments in innovative machinery park, optimization of management systems and an expansion of production halls allow to minimize the lead times for the product of the highest quality.

**More than twenty years of experience in office furniture industry come with reference from a long list of companies and institutions to show their appreciation for an efficient and comprehensive service.**

**MDD is highly aware of the environment.**

Being located in the forest region with lake by it's side, MDD takes the nature seriously and invests constantly in a modern and energy-efficient solutions to preserve the local life. Company puts emphasis on waste segregation and recycling. MDD has been awarded for the exceptional care and involvement in waste disposal. All materials used are environmentally friendly and enjoy a high 95 % rate of being recycled.



**General informations:**

**Warranty:**

MDD products - **5 years.**

Electrical components and fabric - **2 years.**

**Certificate - MFC:**



**Boards density:**

12 mm - 690 - 750 kg/m<sup>3</sup>

18 mm - 650 - 690 kg/m<sup>3</sup>

28 mm - 610 - 630 kg/m<sup>3</sup>

36 mm - 610 - 630 kg/m<sup>3</sup>

**Assembly:**

product delivered in separate elements

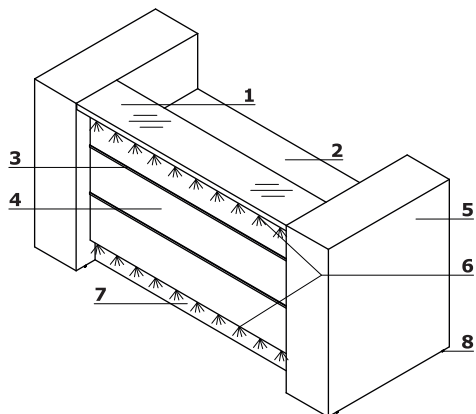
**Packing:**

cartboard, bubble wrap,

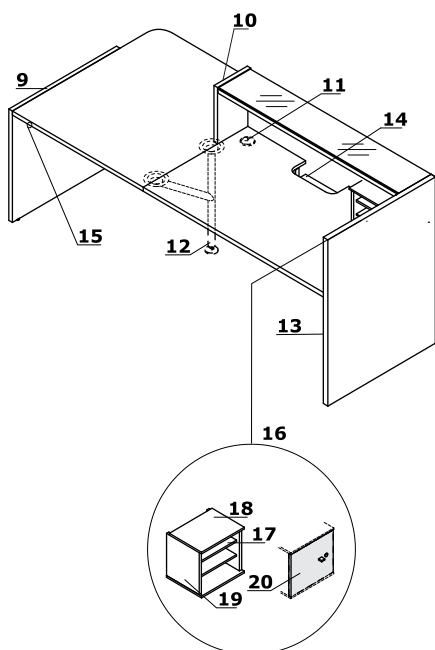
perforated plastic mesh wrap

<p><b>Valde</b></p>	<p>Date of preparation 20.12.2019</p>	<p>The data contained in this document is valid in the day of its preparation. Change of the product, as long as it does not affect the basic features of it, does not require consistent updates of the document.</p>	<p>page 2/11 <b>general informations</b></p>
---------------------	---	--	--

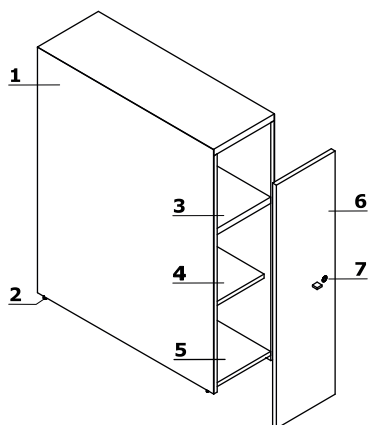
## Technical specification



1. **Top** - MFC 36 mm + Glass LACOBEL 4 mm (40 mm)
2. **Worktop** - MFC 28 mm, ABS edge
3. **Decorative stripe** - PVC, colour: M009 - aluminum semi-matt
4. **Front** - HPL 3 mm - high gloss
5. **Storage as ending element** - HPL high gloss 18 mm, ABS edge
6. **LED illumination** - at the full length of the reception desk, cold white color (verging on the blue shade)
7. **Kick plate** - HPL - brushed aluminum
8. **Leveling** - 5 mm range
9. **Low side panel** - all HPL - gloss - 38 mm
10. **Side panel linking low and high fronts** - HPL high gloss - 38 mm
11. **Cable grommets** - Ø80 mm
12. **Supporting leg NE41** - made of metal, required for tops connecting, colours: M015 - white semi-mat, M009 - Aluminum semi-matt, colour adjusted to the colour of worktop
13. **High side panel** - all HPL - gloss - 38 mm
14. **OPTION WITH EXTRA CHARGE** - working top with lowered monitor shelf - MFC 28 mm, ABS edge
15. **Light switch**
16. **LMS05** - reception desk storage; order separately
17. **Shelf** - MFC 18 mm, protection against accidental falling-out, ABS edge
18. **Top** - MFC 12 mm, ABS edge
19. **Body** - MFC 18 mm, ABS edge
20. **Optional front with lock** - universal (left, right) - MFC 18 mm, ABS edge; - ordered as separate element

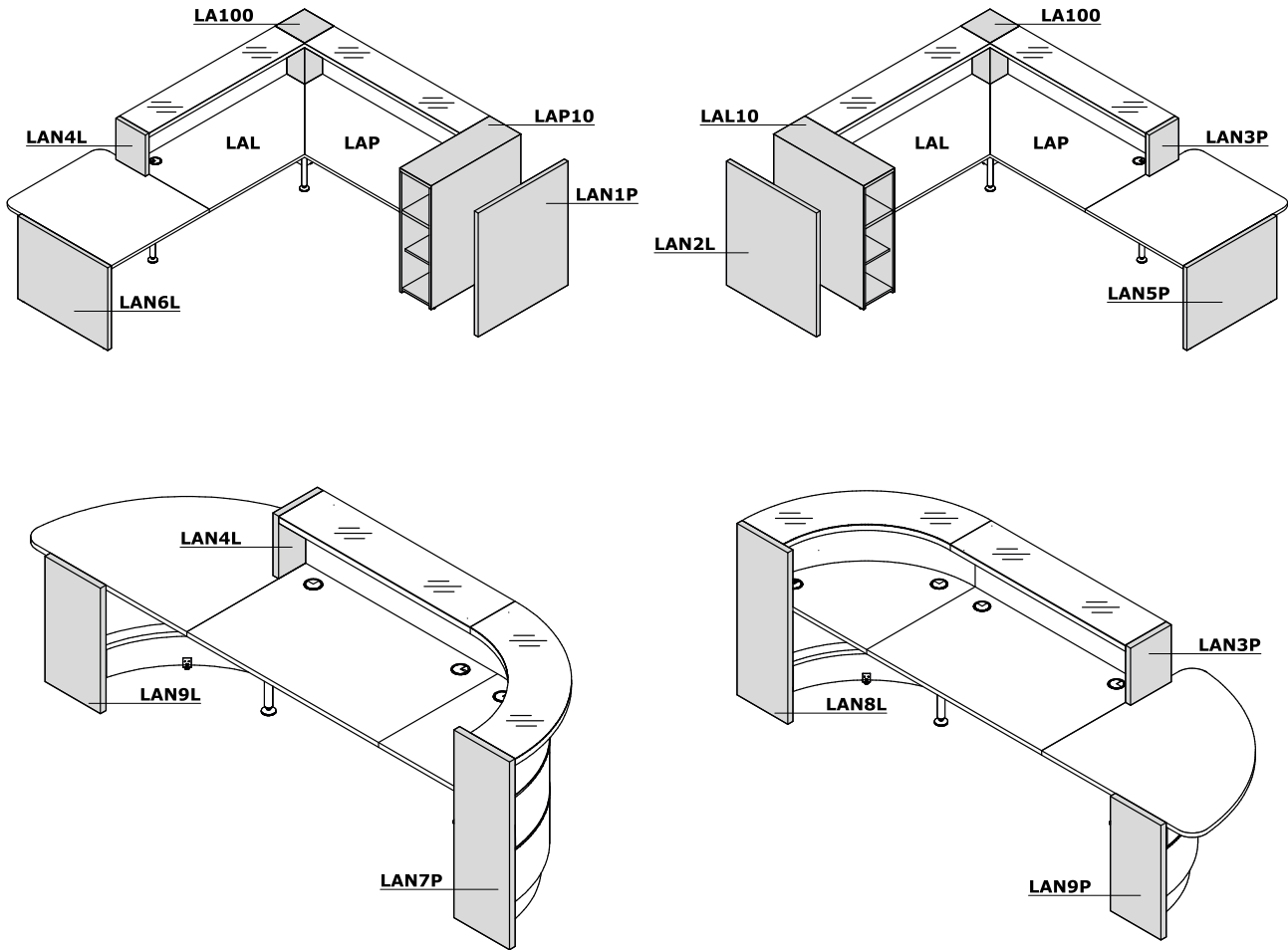


## Ending storage



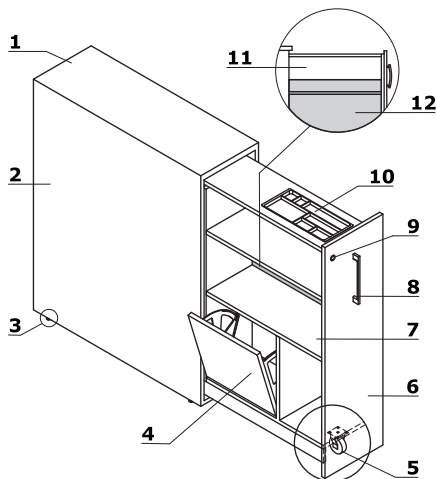
1. **Storage as ending element** - HPL high gloss 18 mm, ABS edge
2. **Leveling** - 5 mm range
3. **Shelf** - MFC 28 mm, ABS edge
4. **Shelf with possibility of height regulation** - MFC 18 mm, ABS edge
5. **Base** - MFC 18 mm, ABS edge
6. **Optional Front LAD10** - MFC 18 mm, universal (left/right), to order as an additional element
7. **Patent lock** - foldable key

Ending elements application



www.mdd.eu

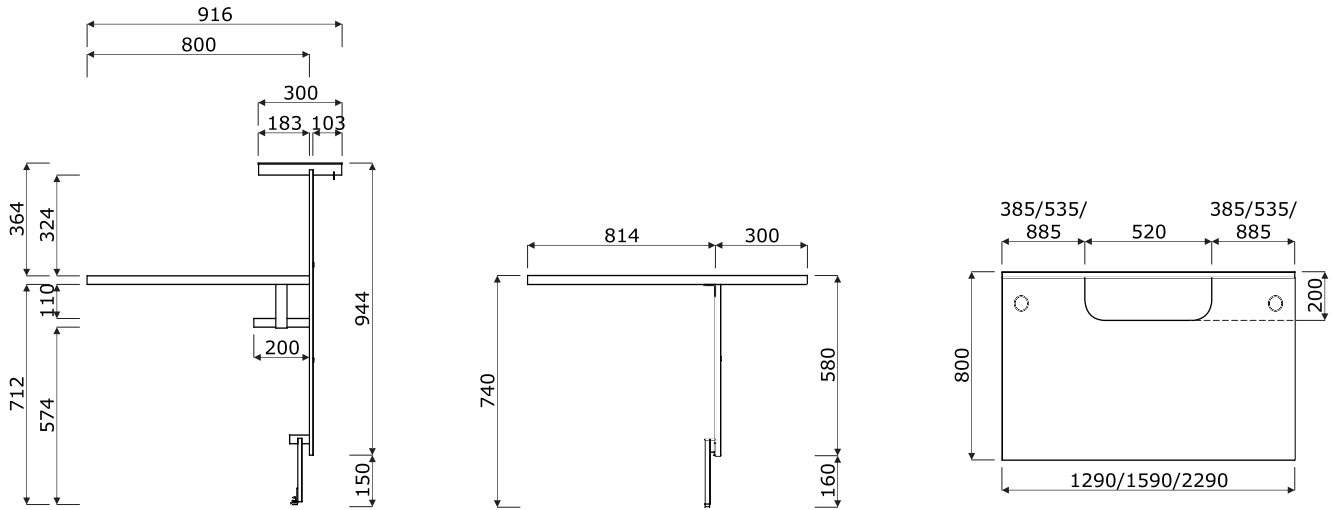
Cargo pedestal



- 1. Top - MFC 28 mm, coated with HPL high gloss
- 2. Body - MFC 18 mm, coated with HPL high gloss
- 3. Leveling - 5 mm range
- 4. Cabinet with flip door - 2 spaces (e.g. for binder, shoes)
- 5. Castors - Ø75 mm
- 6. Front - MFC 18 mm, ABS edge
- 7. Shelf - MFC 18 mm, protection against accidental falling-out, ABS edge
- 8. Aluminum handle
- 9. Patent lock
- 10. Pencil tray - plastic, colour: black
- 11. No back
- 12. Full back rear - MFC 18 mm

Valde	Date of preparation 20.12.2019	The data contained in this document is valid in the day of its preparation. Change of the product, as long as it does not affect the basic features of it, does not require consistent updates of the document.	page 4/11 technical specification
-------	-----------------------------------	---	--------------------------------------

### Dimensions



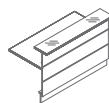
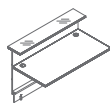
Straight elements \*



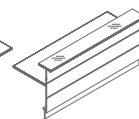
**LA09L**  
844 / 917 / 1105  
36 kg



**LA13L**  
1290 / 917 / 1105  
53.6 kg



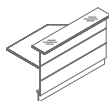
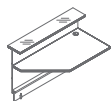
**LA16L**  
1590 / 917 / 1105  
67 kg



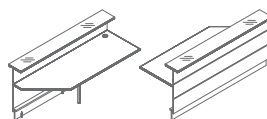
**LA23L**  
2290 / 917 / 1105  
93.5 kg



**LAP13L**  
1290 / 917 / 1105  
52.6 kg



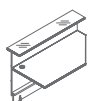
**LAP16L**  
1590 / 917 / 1105  
66.5 kg



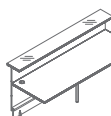
**LAP23L**  
2290 / 917 / 1105  
93 kg



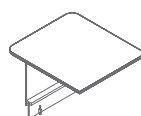
**LAL13L**  
1290 / 917 / 1105  
52.6 kg



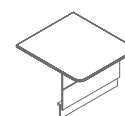
**LAL16L**  
1590 / 917 / 1105  
66.5 kg



**LAL23L**  
2290 / 917 / 1105  
93 kg



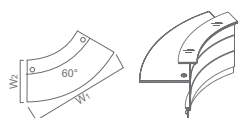
**LAU11L**  
1000 / 1114 / 740  
32.5 kg



**LAU18L**  
800 / 1114 / 740  
28.5 kg

\* dimensions expressed in millimeters: width x depth x height

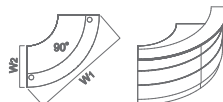
Radial elements \*



**LAV62L**  
2216 / 917 / 1105  
75.5 kg



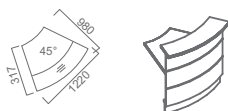
**LAV64L**  
1600 / 917 / 1105  
64.5 kg



**LAV90L**  
2264 / 917 / 1105  
105.5 kg



**LAV70L**  
1297 / 917 / 1105  
43.5 kg



**LAV63L**  
1225 / 917 / 1105  
53.5 kg



**LAV65L**  
1311 / 1165 / 740  
35.5 kg



**LAV66L**  
1720 / 1109 / 740  
54.5 kg

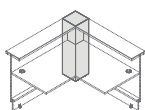


**LAV68L**  
1485 / 1109 / 740  
35.5 kg

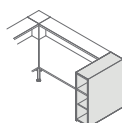


**LA90L**  
1296 / 616 / 1105  
38.2 kg

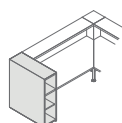
Composition elements \*



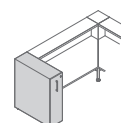
**LA100**  
300 / 300 / 1105  
22.2 kg



**LAP10**  
318 / 917 / 1105  
50 kg



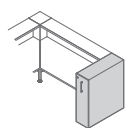
**LAL10**  
318 / 917 / 1105  
50 kg



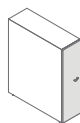
**LAC10L**  
318 / 917 / 1105  
70 kg

\* dimensions expressed in millimeters: width x depth x height

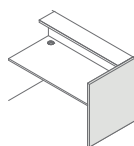
Composition elements \*



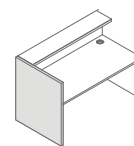
**LAC10P**  
318 / 917 / 1105  
70 kg



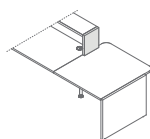
**LAD10**  
306 / 20 / 1094  
4.5 kg



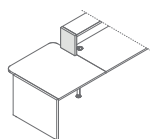
**LAN1P**  
38 / 917 / 1105  
26 kg



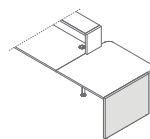
**LAN2L**  
38 / 917 / 1108  
26 kg



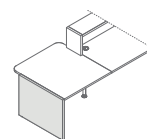
**LAN3P**  
38 / 300 / 364  
2.8 kg



**LAN4L**  
38 / 300 / 364  
2.8 kg



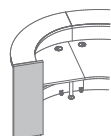
**LAN5P**  
38 / 917 / 740  
19 kg



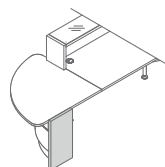
**LAN6L**  
38 / 917 / 740  
19 kg



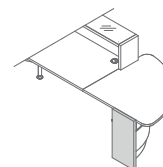
**LAN7P**  
38 / 374 / 1105  
11 kg



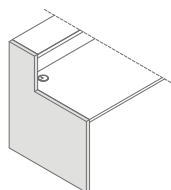
**LAN8L**  
38 / 374 / 1105  
11 kg



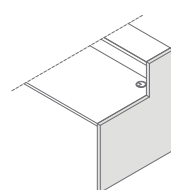
**LAN9L**  
38 / 374 / 740  
7.5 kg



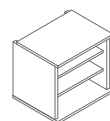
**LAN9P**  
38 / 374 / 740  
7.5 kg



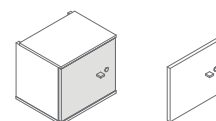
**LAN10L**  
38 / 917 / 1105  
26 kg



**LAN10P**  
38 / 917 / 1105  
26 kg



**LMS05**  
345 / 283 / 314  
5 kg



**LMS06**  
339 / 18 / 286  
2 kg

\* dimensions expressed in millimeters: width x depth x height



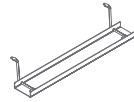
Composition elements \*



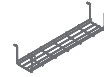
**NL41**  
585 / 142 / 712  
2 kg



**NE41L**  
40 / 40 / 712  
1.5 kg



**E64L**  
460 / 89 / 120  
0.5 kg



**S69L**  
580 / 162 / 123  
1 kg



**S81L**  
140 / 70 / 750  
1.1 kg

\* dimensions expressed in millimeters: width x depth x height

<b>Valde</b>	Date of preparation 25.02.2020	The data contained in this document is valid in the day of its preparation. Change of the product, as long as it does not affect the basic features of it, does not require consistent updates of the document.	page 9/11
			<b>products</b>

### Upper top



117 Glass white  
RAL9003



### Top



67 White pastel



124 Glass silver  
RAL9007



26 Aluminum  
satinato

### Body



67 White pastel

### Front



31 Canadian oak



34 Chestnut



73 White high  
gloss



74 Orange high  
gloss



80 Green high  
gloss



81 Burgundy  
high gloss



102 Yellow high  
gloss



108 Blue high  
gloss



127 Dark pink  
high gloss



148 Grey high  
gloss

### Ending elements



73 White high  
gloss



148 Grey high  
gloss

### Supporting legs



M009 Aluminum  
semi-matt



M015 White  
semi-matt

---

**Copplementary elements LAD10, LMS05, LMS06**



26 Aluminum  
satinato



67 White pastel

---

**Copplementary elements S69L, E64L**



M009 Aluminum  
semi-matt RAL9006

---

**Copplementary elements S81L**



Grey

---