



1

M6x25



XT116 **x5**
 XT11 **x4**
 XT16 **x3**
 XT1 **x2**
 XT6 **x1**

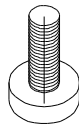
2



XT116 **x4**
 XT11 **x4**
 XT16 **x4**
 XT1 **x2**
 XT6 **x2**

3

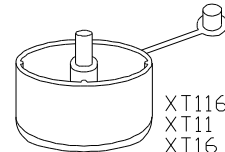
M8x30



XT116 **x4**
 XT11 **x4**
 XT16 **x4**
 XT1 **x2**
 XT6 **x2**


x4

4



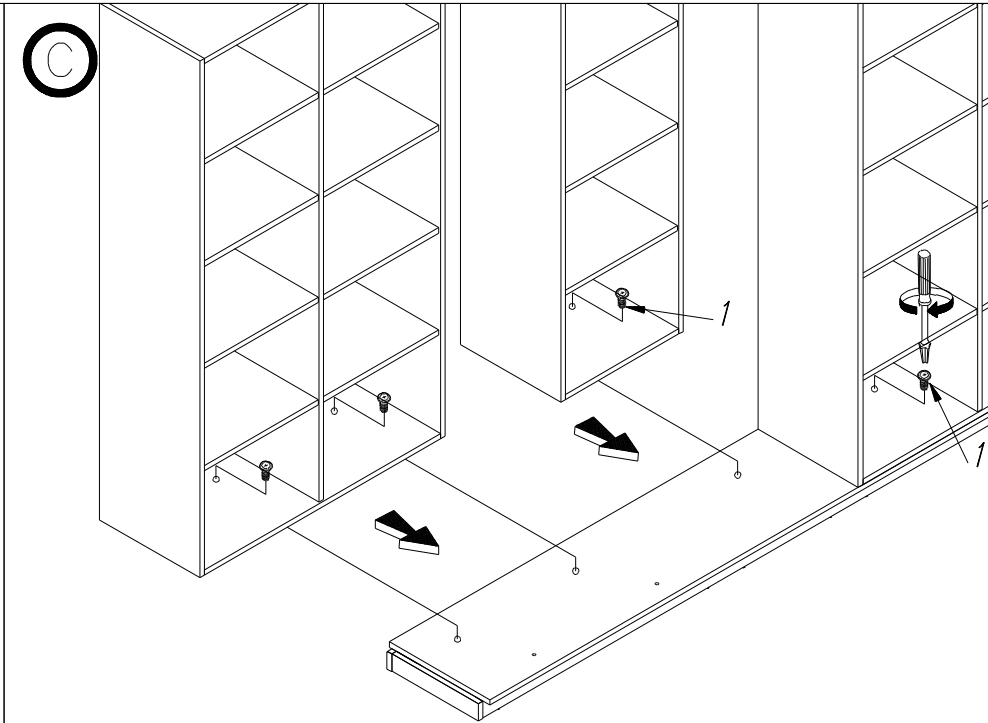
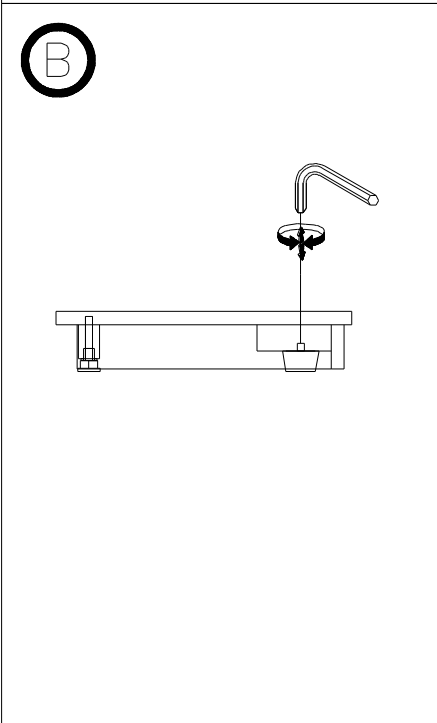
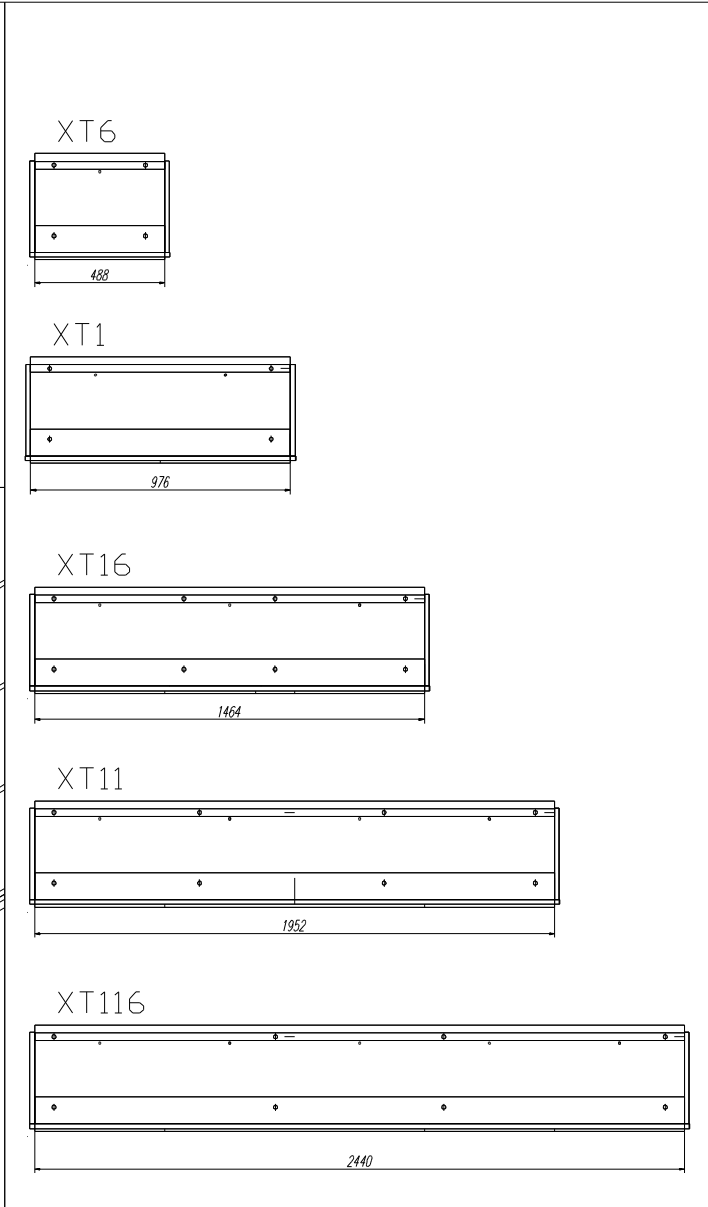
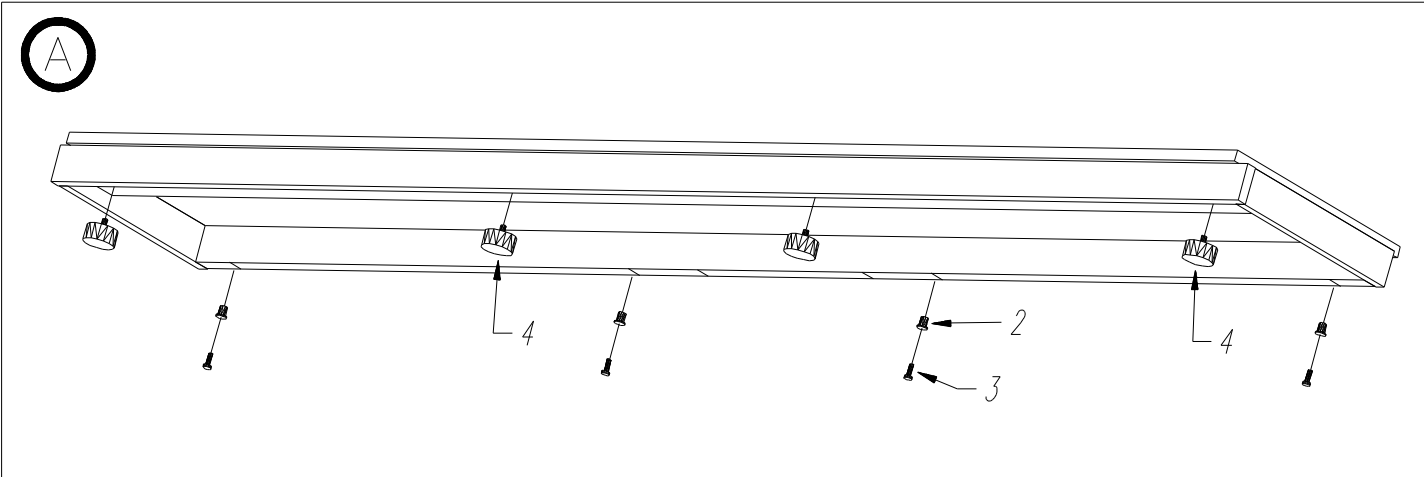
XT116 **x4**
 XT11 **x4**
 XT16 **x4**
 XT1 **x2**
 XT6 **x2**

x4

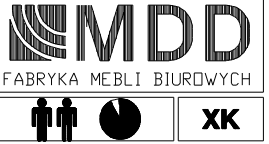


FABRYKA MEBLI BIUROWYCH

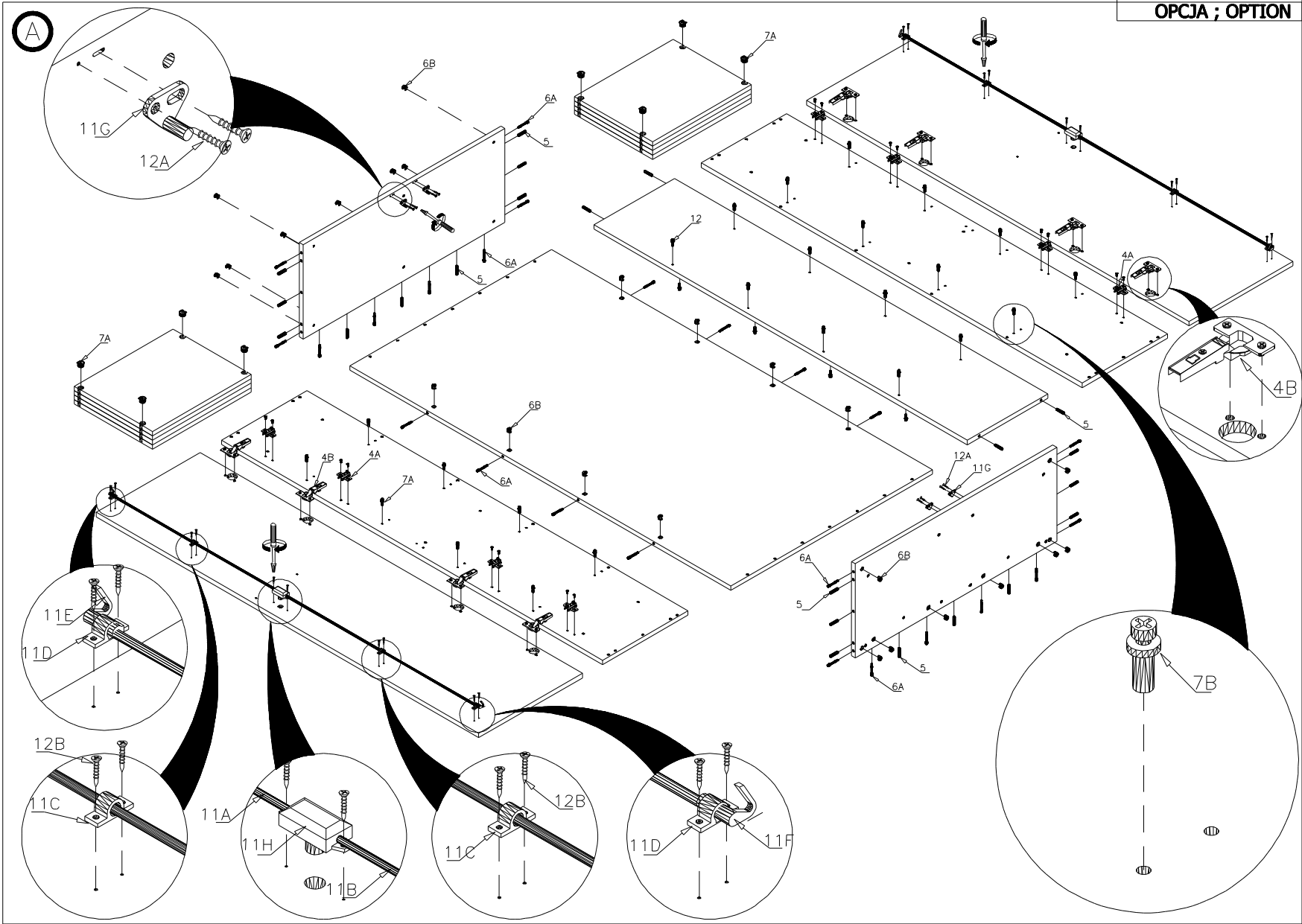
STATUS XT...



1	XK55 x2 XK27 x1 XK26 x1 XK37 x1 XK36 x1 XK57 x1 XK56 x1 XK21 x2 XK31 x2 XK51 x2	2	M4x25 XK55 x4 XK27 x2 XK26 x2 XK37 x2 XK36 x1 XK57 x2 XK56 x2 XK21 x1 XK31 x1 XK51 x1	3	XK55 x2 XK27 x1 XK26 x1 XK37 x1 XK36 x1 XK57 x1 XK56 x1 XK21 x2 XK31 x2 XK51 x2	4	4B XK27 x2 XK26 x2 XK37 x2 XK36 x1 XK57 x1 XK56 x1 XK21 x1 XK31 x1 XK51 x1	5	Ø8x36 XK55 x22 XK39 x14 XK59 x14 XK27 x14 XK26 x14 XK37 x14 XK36 x14 XK57 x14 XK56 x14 XK21 x22 XK31 x22 XK51 x22	6	Ø15 XK55 x24 XK39 x16 XK59 x16 XK27 x16 XK26 x16 XK37 x16 XK36 x16 XK57 x20 XK56 x16 XK21 x18 XK31 x20 XK51 x24	7	7A XK55 x32 XK39 x18 XK59 x18 XK27 x18 XK26 x18 XK37 x18 XK36 x18 XK57 x16 XK56 x16 XK21 x18 XK31 x16 XK51 x32	8	M6x25 XK55 x16 XK39 x16 XK59 x16 XK27 x16 XK26 x16 XK37 x16 XK36 x16 XK57 x16 XK56 x16 XK21 x16 XK31 x16 XK51 x16	9	Ø10 XK55 x18 XK39 x14 XK59 x14 XK27 x14 XK26 x14 XK37 x14 XK36 x14 XK57 x14 XK56 x14 XK21 x14 XK31 x14 XK51 x18	10	10A XK55 x15 XK39 x15 XK59 x15 XK27 x15 XK26 x15 XK37 x15 XK36 x15 XK57 x15 XK56 x15 XK21 x15 XK31 x15 XK51 x15	11	11D 11E 11F 11G 11H 11A 11B 11C 11I 11J	12	Ø3,5x16 12A Ø3x16 12B 12C 12D
---	--	---	---	---	--	---	---	---	---	---	---	---	--	---	---	---	---	----	---	----	--	----	--



OPCJA ; OPTION



*KOLEJNOŚĆ MONTAŻU
MIMOŚRODÓW I KOŁKÓW.
THE FITTINGS SEQUENCE OF THE
CAM AND DOWELS.
DIE MONTAGEABFOLGE VON
EXZENTERN UND DÜBELN.*

