

Status technical specification



.mdd

MDD has a leading position among manufacturers of office furniture with many awards that prove quality and continuously increase demand for its products.

The realities of today's market require constant quality improvement at all levels of modern organization. This applies in particular to customer service, marketing, quality of products and also to quality of processes within the company. Partnership relations among employees and with business partners form a base of economic growth and success of the company.

Constant investments in innovative machinery park, optimization of management systems and an expansion of production halls allow to minimize the lead times for the product of the highest quality.

More than twenty years of experience in office furniture industry come with reference from a long list of companies and institutions to show their appreciation for an efficient and comprehensive service.

MDD is highly aware of the environment.

Being located in the forest region with lake by its side, MDD takes the nature seriously and invests constantly in a modern and energy-efficient solutions to preserve the local life. Company puts emphasis on waste segregation and recycling. MDD has been awarded for the exceptional care and involvement in waste disposal. All materials used are environmentally friendly and enjoy a high 95 % rate of being recycled.



General informations:

Warranty:

MDD products – **5 years**.
Electrical components and fabric – **2 years**.

Compliant with standards:

PN-EN 527-2:2017-02
PN-EN 14073-2:2006

Certificate - MFC:



Boards density:

12 mm – 690 – 750 kg/m³
18 mm – 650 – 690 kg/m³
28 mm – 610 – 630 kg/m³
36 mm – 610 – 630 kg/m³

Assembly:

product delivered in separate elements

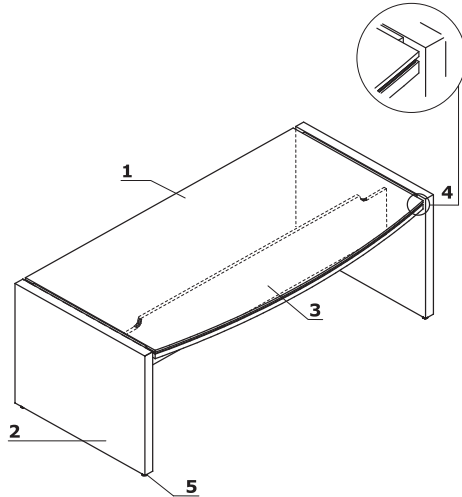
Packing:

cardboard, perforated plastic mesh wrap

<p>Status</p>	<p>Date of preparation 12.12.2019</p>	<p>The data contained in this document is valid in the day of its preparation. Change of the product, as long as it does not affect the basic features of it, does not require consistent updates of the document.</p>	<p>page 2/11 general informations</p>
----------------------	---	--	--

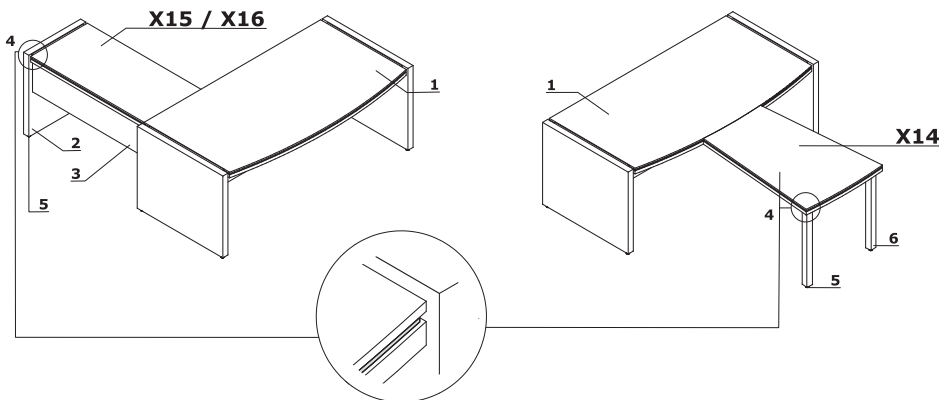
Desks

- 1. **Worktop** - MFC 52 mm (12+12+28 mm), ABS edge
- 2. **Base** - MFC 52 mm, ABS edge
- 3. **Modesty panel** - MFC 18 mm, ABS edge
- 4. **Thickening element** - MFC 12 mm, colour: 154 - anthracite
- 5. **Leveling** - 10 mm range



Desk extensions

- 1. **Worktop** - MFC 52 mm (12+12+28 mm), ABS edge
- 2. **Base** - MFC 52 mm, ABS edge
- 3. **Modesty panel** - MFC 18 mm, ABS edge
- 4. **Thickening element** - MFC 12 mm, colour: 154 - anthracite
- 5. **Leveling** - 5 mm range
- 6. **Base** - MFC 61x61 mm, ABS edge

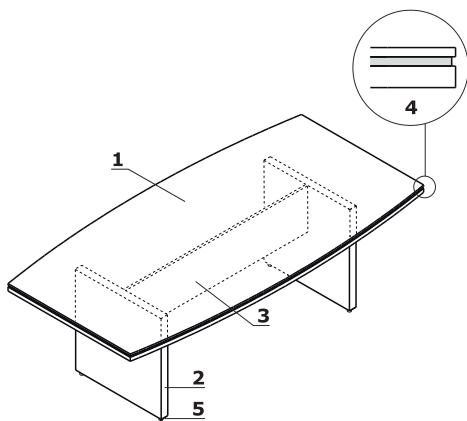


www.mdd.eu

ATTENTION - X14 front extension, X15 right extension, X16 left extension

MFC base meeting tables

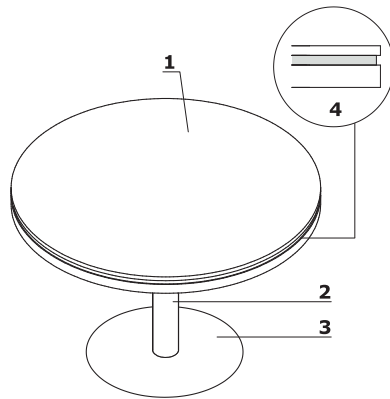
- 1. **Worktop** - MFC 52 mm (12+12+28 mm), ABS edge
- 2. **Base** - MFC 52 mm, ABS edge
- 3. **Modesty panel** - MFC 18 mm, ABS edge
- 4. **Thickening element** - MFC 12 mm, colour: 154 - anthracite
- 5. **Leveling** - 5 mm range



<p>Status</p>	<p>Date of preparation 12.12.2019</p>	<p>The data contained in this document is valid in the day of its preparation. Change of the product, as long as it does not affect the basic features of it, does not require consistent updates of the document.</p>	<p>page 3/11 technical description</p>
----------------------	---	--	---

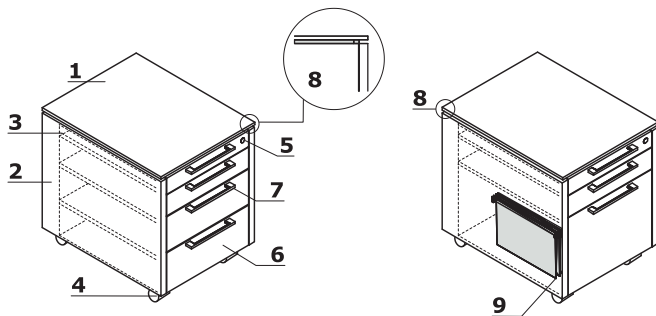
Disc base meeting tables

1. **Worktop** - MFC 52 mm (12+12+28 mm), ABS edge
2. **Column** - powder coated steel
3. **Disc** - stainless steel
4. **Thickening element** - MFC 12 mm, colour: 154 - anthracite



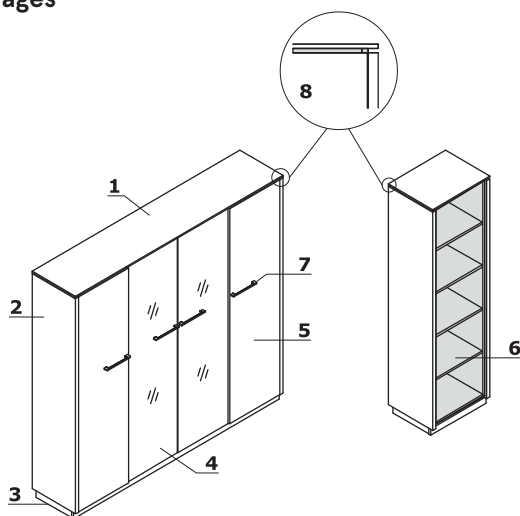
Mobile pedestals

1. **Top** - MFC 12 mm, ABS edge
2. **Side panels** - MFC 28 mm, ABS edge
3. **Separate pencil drawer**
4. **Castors** - Ø50 mm, two with brakes
5. **Central lock** - foldable key
6. **Front** - MFC 18 mm, ABS edge
7. **Aluminum handle**
8. **Thickening element** - colour: M154 - anthracite semi-matt
9. **Suspension files drawer** - ball runners, max load 30 kg, 100% extraction



Storages

1. **Top** - MFC 12 mm, ABS edge
2. **Side panels** - MFC 28 mm, ABS edge
3. **Base** - MFC 18 mm, ABS edge
4. **Glass front** - transparent tempered glass 5 mm
5. **Front** - MFC 18 mm, ABS edge, plain hinge 110°
6. **Body** - MFC 18 mm, colour: 154 - anthracite
7. **Aluminum handle**
8. **Thickening element** - colour: M154 - anthracite semi-matt

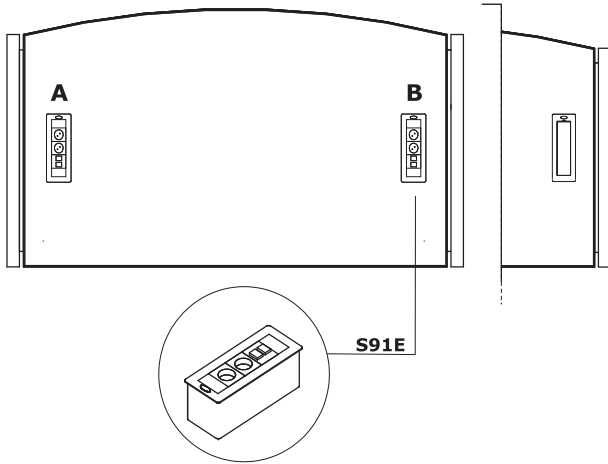


ATTENTION - Storages without lock; Possibility of adding espagnolette lock only for MFC doors - extra charge. Each door (L/R); needs separate lock. To order add letter "Z" at the end of product index.

Status	Date of preparation 12.12.2019	The data contained in this document is valid in the day of its preparation. Change of the product, as long as it does not affect the basic features of it, does not require consistent updates of the document.	page 4/11 technical description
---------------	-----------------------------------	---	---

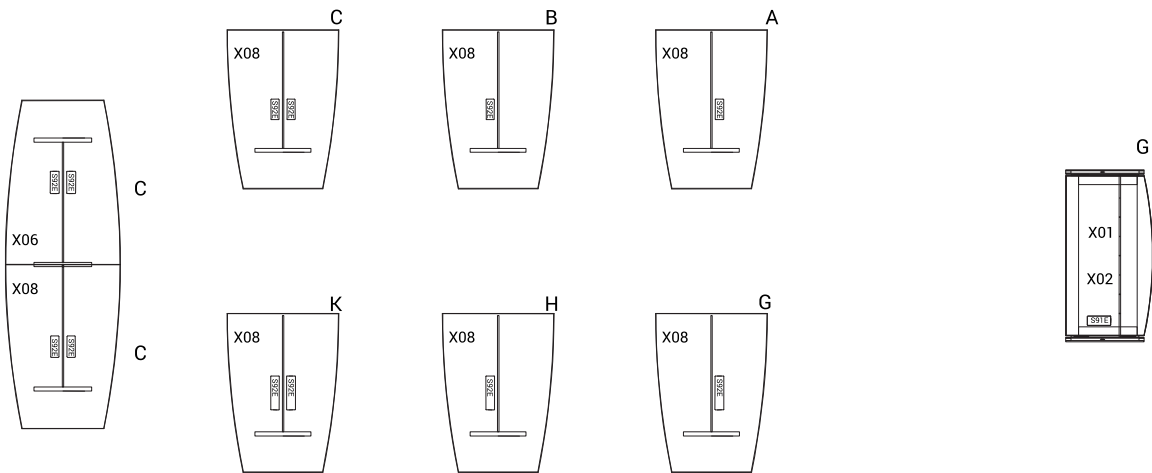
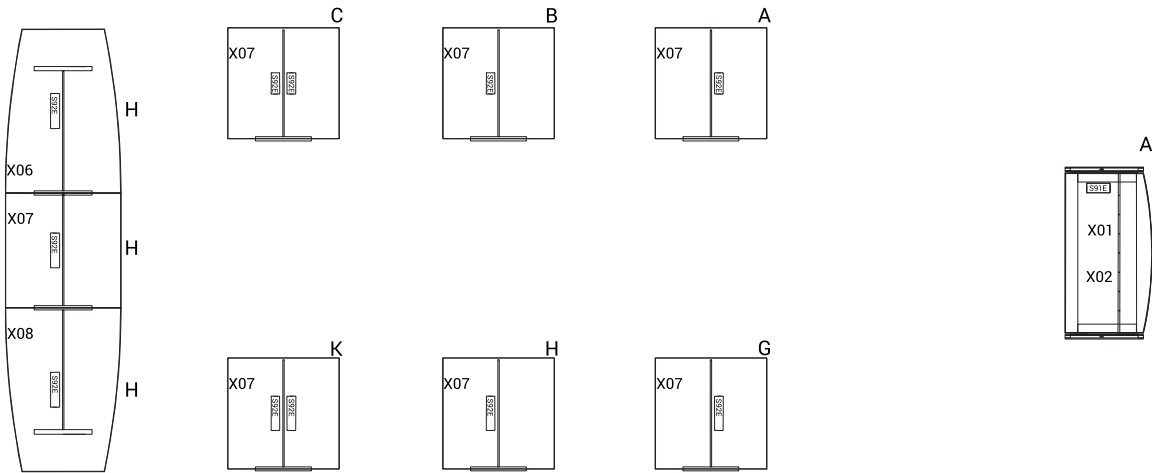
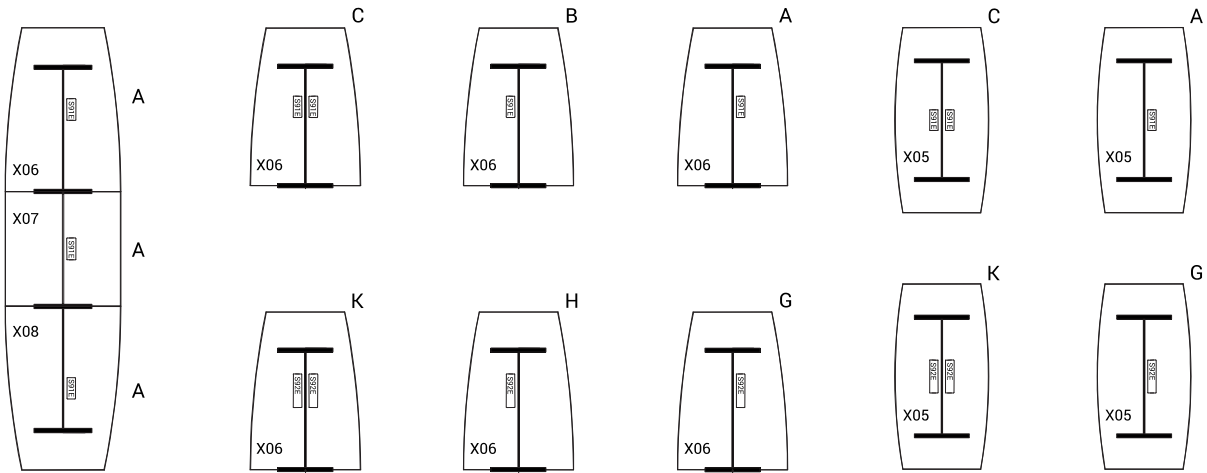
Possible mediaport location

- Mediaport S91E – location A, B (1pc);
- Mediaport S91E – 2x 230V, 2x RJ45



Status	Date of preparation 12.12.2019	The data contained in this document is valid in the day of its preparation. Change of the product, as long as it does not affect the basic features of it, does not require consistent updates of the document.	page 5/11 technical description
---------------	-----------------------------------	---	---

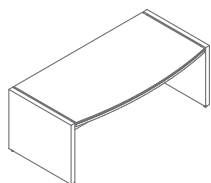
Possible mediaport location



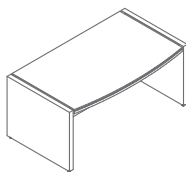
TO ORDER PRODUCT WITH MEDIABOX, AT THE END OF THE SYMBOL SHOULD BE ADDED A LETTER (A,B...); WHICH IS CORRESPONDING TO THE SELECTED CONFIGURATION (EX. X01A);

<p>Status</p>	<p>Date of preparation 12.12.2019</p>	<p>The data contained in this document is valid in the day of its preparation. Change of the product, as long as it does not affect the basic features of it, does not require consistent updates of the document.</p>	<p>page 6/11 technical description</p>
----------------------	---	--	---

Desks *

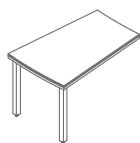


X01
2000 / 900-1000 / 760
86 kg

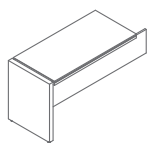


X02
1700 / 900-970 / 760
78.4 kg

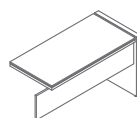
Desk extenstions *



X14
600-800 / 1200 / 760
34.3 kg

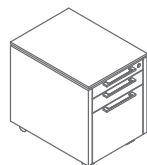


X15
600 / 1270 / 760
36.9 kg

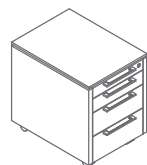


X16
600 / 1270 / 760
37.1 kg

Pedestals *



XKD12
452 / 606 / 598
35.4 kg

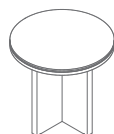


XKD13
452 / 606 / 598
55 kg

Meeting tables *



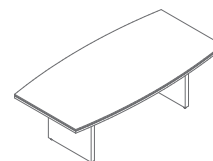
X19
800 / 800 / 550
36.7 kg



X22
800 / 800 / 760
46 kg



X120
1200 / 1200 / 756
60 kg

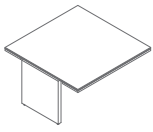


X05
2400 / 1000-1200 / 760
116 kg

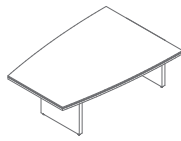
* dimensions expressed in millimeters: width x depth x height

Status	Date of preparation 12.12.2019	The data contained in this document is valid in the day of its preparation. Change of the product, as long as it does not affect the basic features of it, does not require consistent updates of the document.	page 7/11
			products

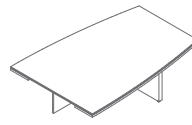
Meeting tables *



X07
1400 / 1400 / 760
89.6 kg



X06
2000 / 1000-1400 / 760
113.7 kg



X08
2000 / 1000-1400 / 760
100.1 kg

Storages *



X26
544 / 421 / 820
44.2 kg



X27
544 / 421 / 820
44.2 kg



X36
544 / 421 / 1167
60.2 kg



X37
544 / 421 / 1167
60.2 kg



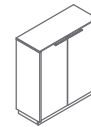
X56
544 / 421 / 1871
89.8 kg



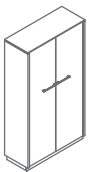
X57
544 / 421 / 1871
89.8 kg



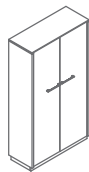
X21
1032 / 421 / 820
68 kg



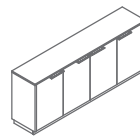
X31
1032 / 421 / 1167
92.7 kg



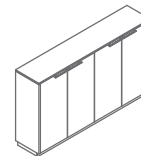
X51
1032 / 421 / 1871
138.2 kg



X52
1032 / 421 / 1871
127.9 kg



X2167
2008 / 421 / 820
127.9 kg



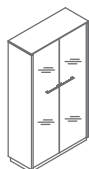
X311
2008 / 421 / 1167
166.5 kg

* dimensions expressed in millimeters: width x depth x height

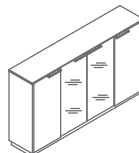
Storages *



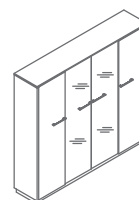
X35
1032 / 421 / 1167
95.7 kg



X55
1032 / 421 / 1871
189.8 kg



X3567
2008 / 421 / 1167
175.4 kg

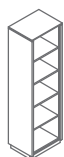


X5567
2008 / 421 / 1871
307.3 kg

Bookcases *

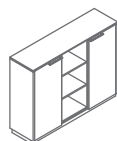


X39
544 / 421 / 1167
53.9 kg

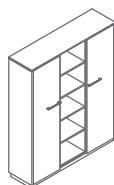


X59
544 / 421 / 1871
79.3 kg

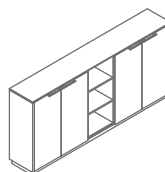
Half bookcases *



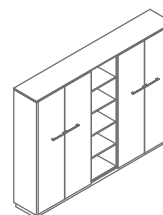
X3679
1520 / 421 / 1167
132.7 kg



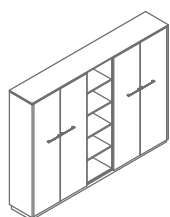
X5679
1520 / 421 / 1871
195.9 kg



X3119
2496 / 421 / 1167
199.6 kg



X5119
2496 / 421 / 1871
294.6 kg

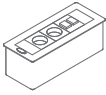


X5129
2496 / 421 / 1871
284.3 kg

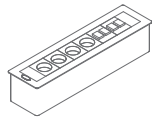
* dimensions expressed in millimeters: width x depth x height

Status	Date of preparation 12.12.2019	The data contained in this document is valid in the day of its preparation. Change of the product, as long as it does not affect the basic features of it, does not require consistent updates of the document.	page 9/11
			products

Accessories *



S91E
267 / 110 / 93
1 kg



S92E
426 / 110 / 93
1 kg

* dimensions expressed in millimeters: width x depth x height

Status	Date of preparation 12.12.2019	The data contained in this document is valid in the day of its preparation. Change of the product, as long as it does not affect the basic features of it, does not require consistent updates of the document.	page 10/11
			products

MFC elements



31 Canadian oak



34 Chestnut



106 Lowland
walnut

Spacer



154 Anthracite

Tables - disc base - column



M009 Aluminum
semi-matt
RAL9006



M015 White semi-
matt RAL9010



M115 Black semi-
matt RAL9005