

**KOLEIŃOŚĆ MONTAŻU
MIMOSRODOW I KOLEKOW.**
THE FITTING SEQUENCE OF THE
CAMS AND DOWELS.
DIE MONTAGEFOLGE VON
EXZENTERN UND DÜBELN.

1

2

3

4

5

6

*** - ZASTOSOWAĆ TEN ELEMENT
NEED TO USE THIS ELEMENT
DAS ELEMENT VERWENDEN**

7

C

B

A

1

2

3

4

5

6

7

8

9

10

11

12

13

14

15

16

17

18

19

20

21

22

23

24

25

26

27

28

29

30

31

32

33

34

35

36

37

38

39

40

41

42

43

44

45

46

47

48

49

50

51

52

53

54

55

56

57

58

59

60

61

62

63

64

65

66

67

68

69

70

71

72

73

74

75

76

77

78

79

80

81

82

83

84

85

86

87

88

89

90

91

92

93

94

95

96

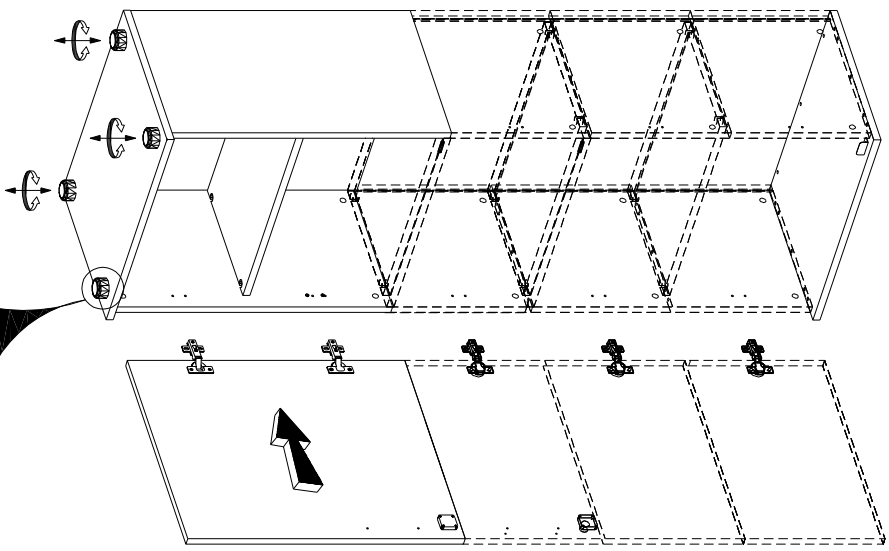
97

98

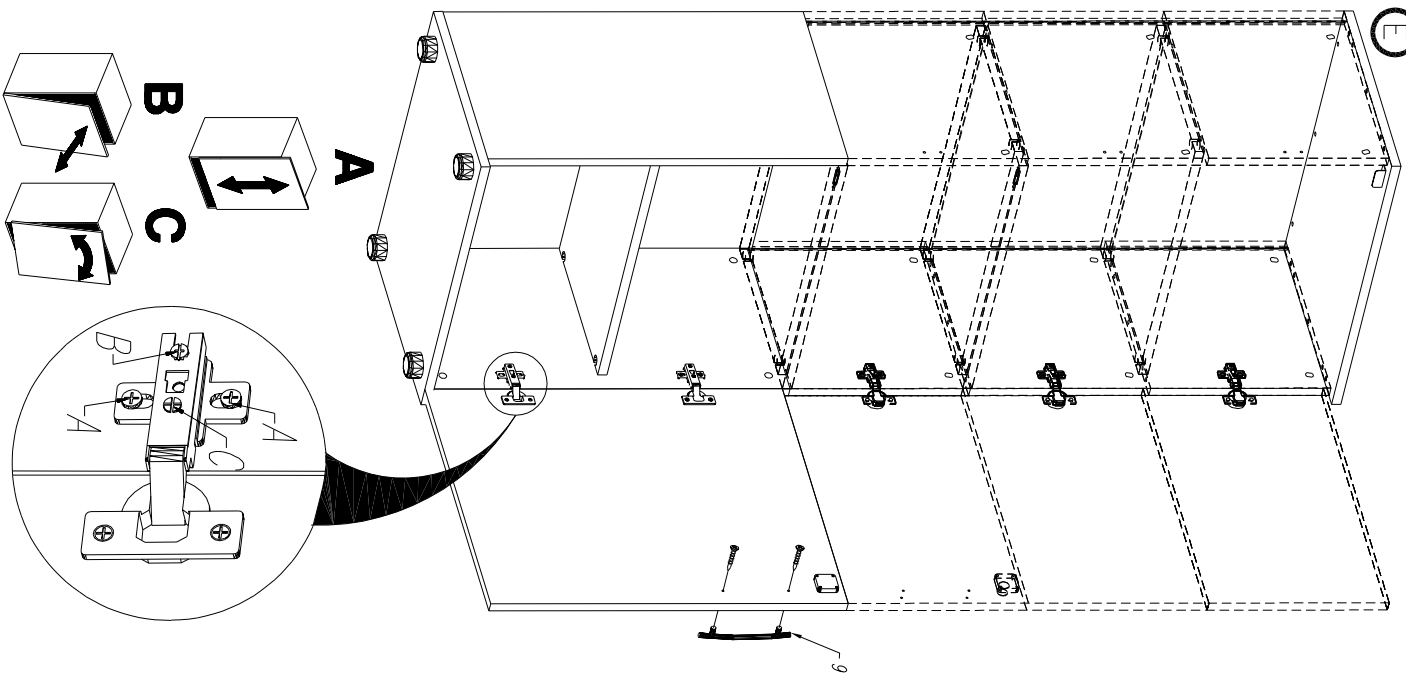
99

100

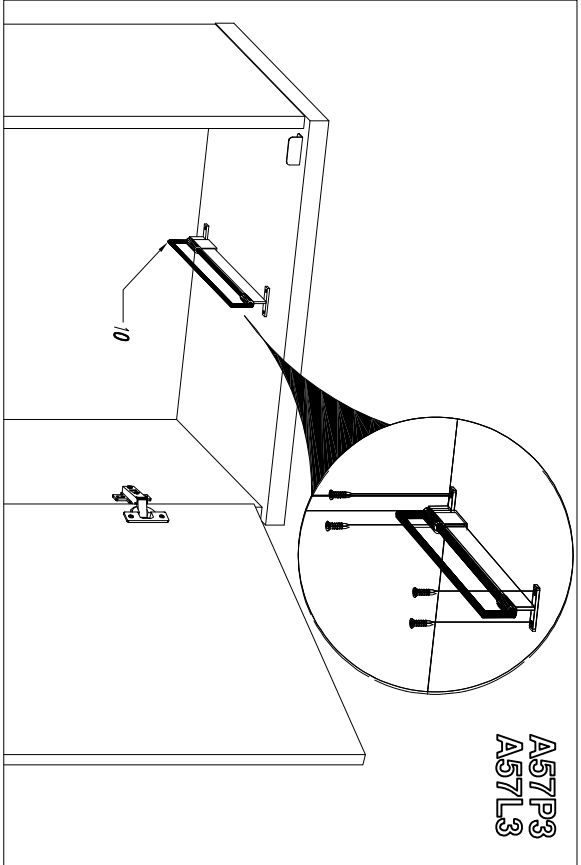
D



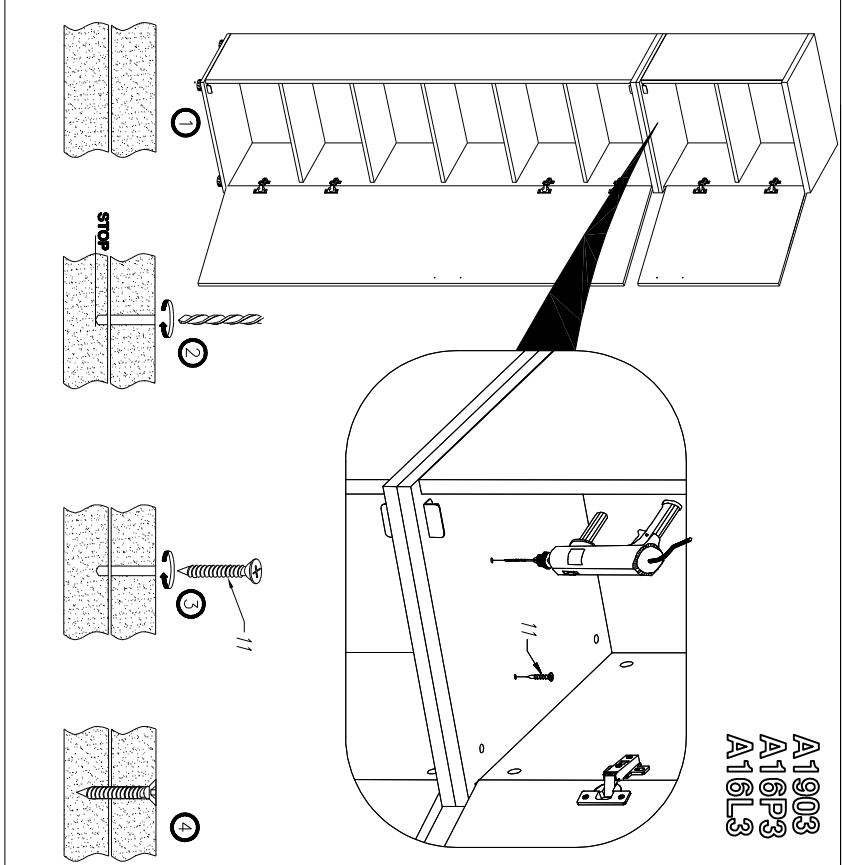
E

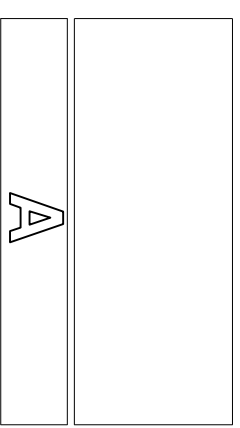
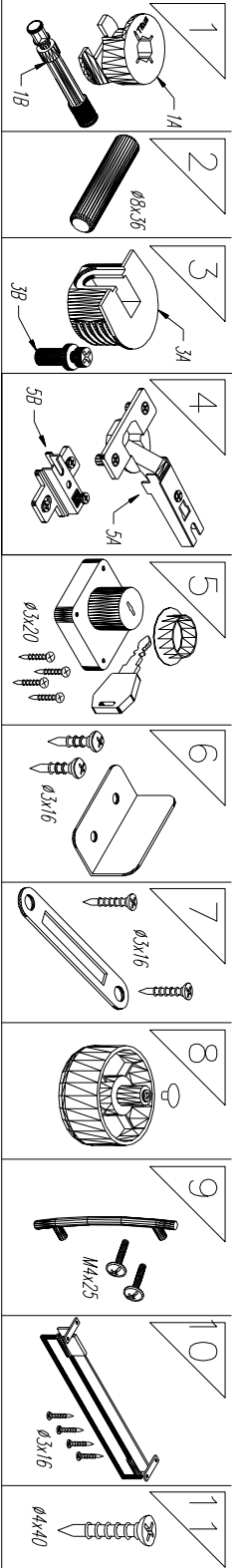


A57P3
A57L3



A1903
A16P3
A16L3





	A6903		A66P3		A66L3		A5903		A56P3		A56L3		A57P3		A57L3		A4903		A46P3
--	-------	--	-------	--	-------	--	-------	--	-------	--	-------	--	-------	--	-------	--	-------	--	-------

<p>1 x20 2 x16 3 x20</p>	<p>1 x20 2 x16 3 x20</p>	<p>1 x20 2 x16 3 x20</p>	<p>1 x18 2 x16 3 x16</p>	<p>1 x18 2 x16 3 x16</p>	<p>1 x18 2 x16 3 x16</p>	<p>1 x18 2 x16 3 x4 4 x4</p>	<p>1 x18 2 x16 3 x4 4 x4</p>	<p>1 x14 2 x18 3 x12</p>	<p>1 x14 2 x18 3 x12 4 x3</p>
----------------------------------	----------------------------------	----------------------------------	----------------------------------	----------------------------------	----------------------------------	--	--	----------------------------------	---

	A46L3		A3903		A36P3		A36L3		A2903		A26P3		A26L3		A1903		A16P3		A16L3
--	-------	--	-------	--	-------	--	-------	--	-------	--	-------	--	-------	--	-------	--	-------	--	-------

<p>1 x14 2 x18 3 x12 4 x3 5 x1</p>	<p>1 x12 2 x16 3 x8</p>	<p>1 x12 2 x16 3 x8 4 x2 5 x1 6 x1 7 x1</p>	<p>1 x12 2 x16 3 x8 4 x2 5 x1 6 x1 7 x1</p>	<p>1 x12 2 x16 3 x4 4 x4 5 x1 6 x1 7 x1 8 x4</p>	<p>1 x12 2 x16 3 x4 4 x4 5 x2 6 x1 7 x1 8 x4</p>	<p>1 x12 2 x16 3 x4 4 x4 5 x2 6 x1 7 x1 8 x4</p>	<p>1 x12 2 x16 3 x4 4 x4 5 x2 6 x1 7 x1 8 x4</p>	<p>1 x12 2 x16 3 x4 4 x4 5 x2 6 x1 7 x1 8 x4</p>	<p>1 x12 2 x16 3 x4 4 x4 5 x2 6 x1 7 x1 8 x4</p>
--	---------------------------------	---	---	--	--	--	--	--	--