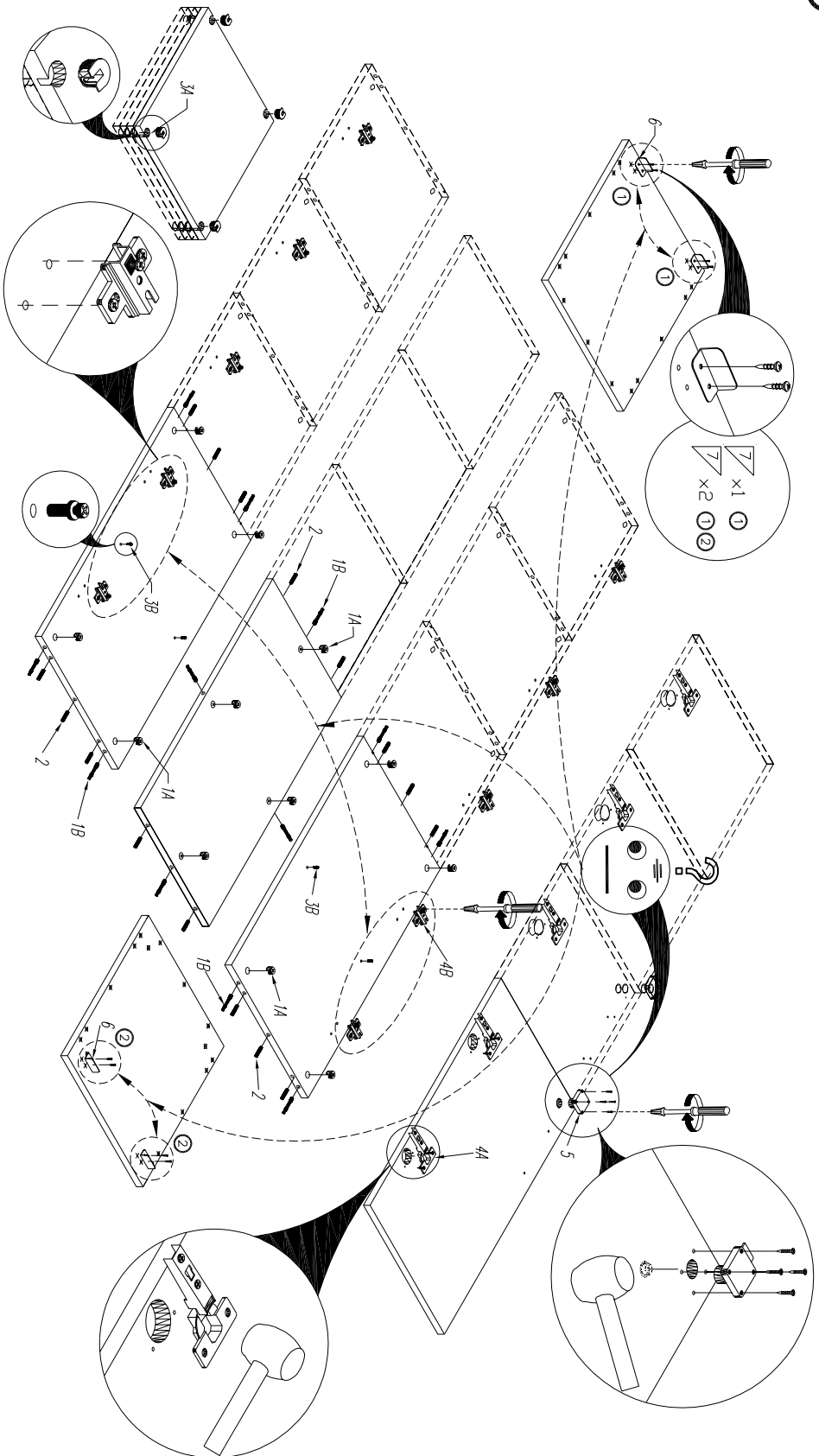
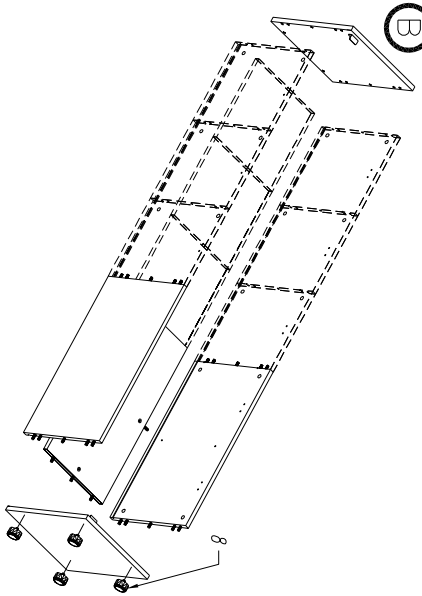


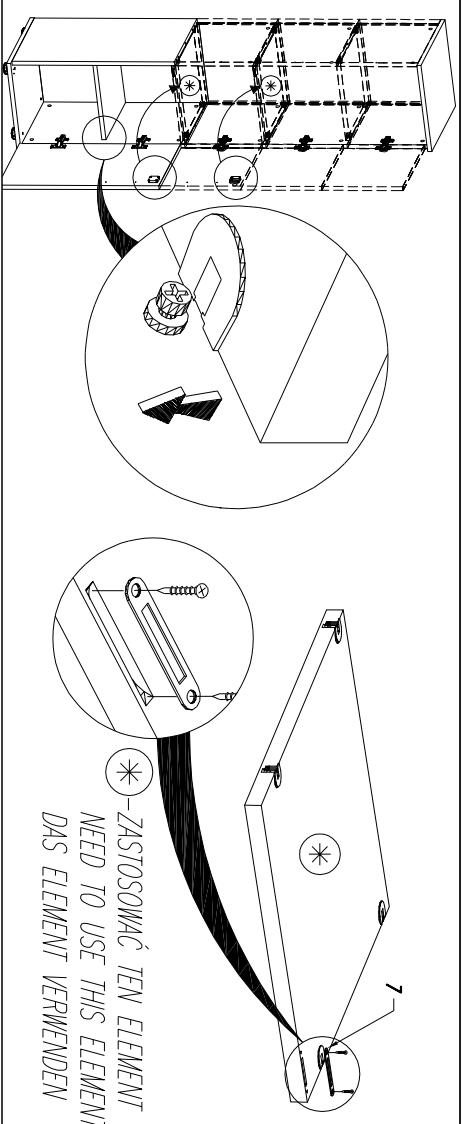
A



B

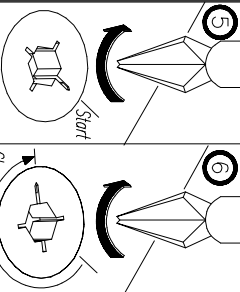
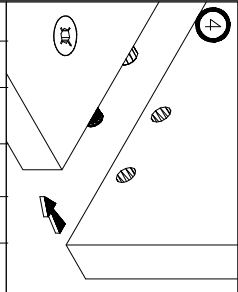
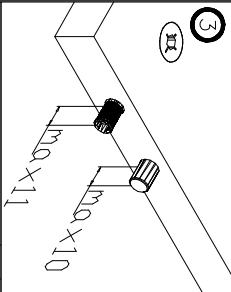
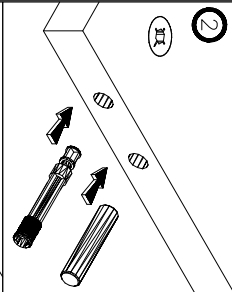
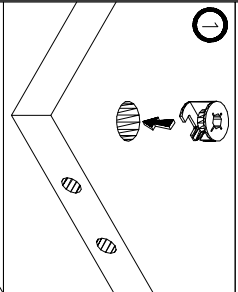


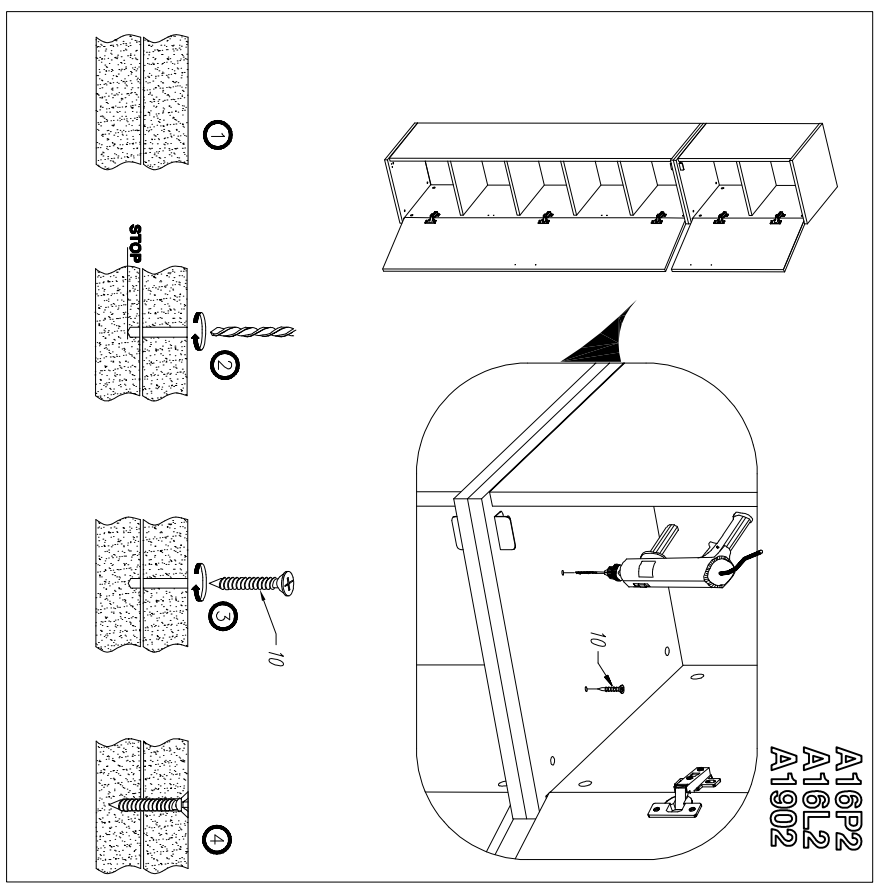
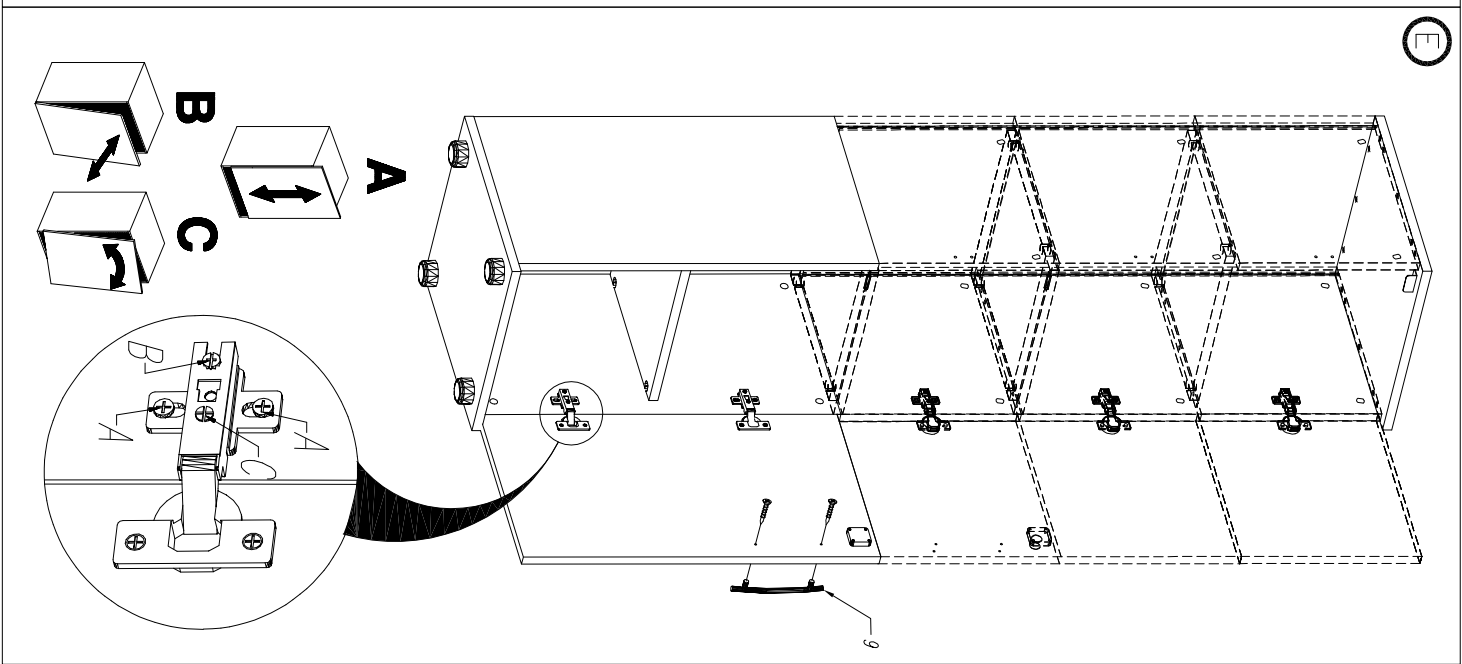
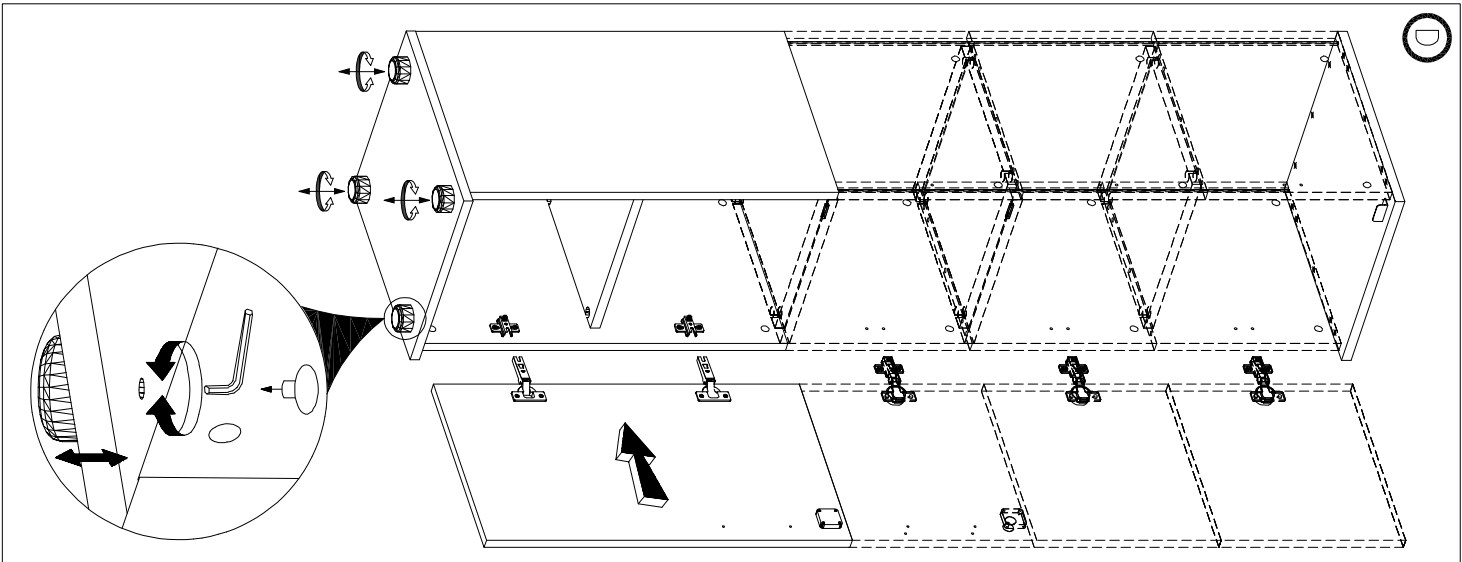
C

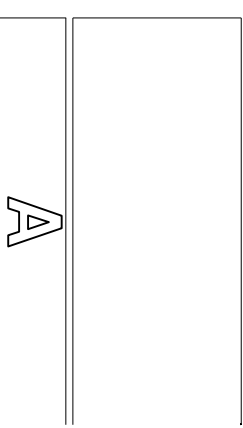
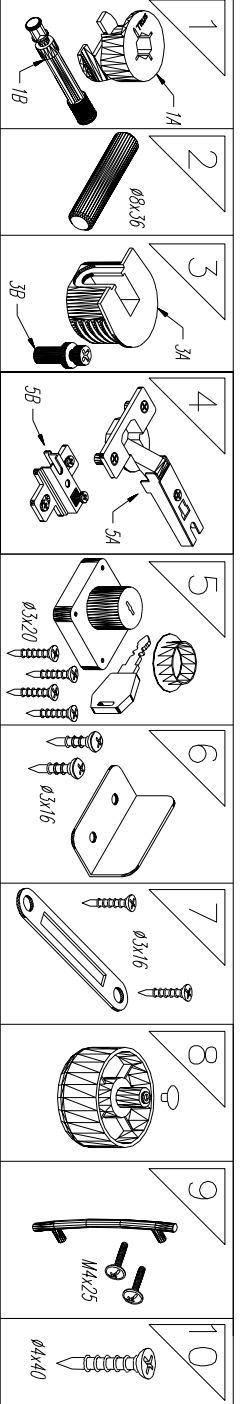


* - ZASTOSOWAĆ TEN ELEMENT
 NEED TO USE THIS ELEMENT
 DAS ELEMENT VERWENDEN

KOLEJNOŚĆ MONTAŻU
 MINOSRODÓW I KOŁEKÓW.
 THE FITNESS SEQUENCE OF THE
 CAMS AND DOWELS.
 DIE MONTAGEFOLGE VON
 EXZENTERN UND DÜBELN.







<p>A6902</p> <p>1 x20 2 x16 3 x20</p>	<p>A66P2</p> <p>1 x20 2 x16 3 x20</p>	<p>A66L2</p> <p>1 x20 2 x16 3 x20</p>	<p>A58P2</p> <p>1 x18 2 x16 3 x16</p>	<p>A58L2</p> <p>1 x18 2 x16 3 x16</p>	<p>A56P2</p> <p>1 x18 2 x16 3 x16</p>	<p>A56L2</p> <p>1 x18 2 x16 3 x16</p>	<p>A5902</p> <p>1 x14 2 x18 3 x12</p>	<p>A46P2</p> <p>1 x14 2 x18 3 x12</p>	<p>A46L2</p> <p>1 x14 2 x18 3 x12</p>	<p>A48P2</p> <p>1 x14 2 x18 3 x12</p>	<p>A48L2</p> <p>1 x14 2 x18 3 x12</p>
<p>A4902</p> <p>1 x14 2 x18 3 x12</p>	<p>A36P2</p> <p>1 x12 2 x16 3 x8</p>	<p>A36L2</p> <p>1 x12 2 x16 3 x8</p>	<p>A38P2</p> <p>1 x12 2 x16 3 x8</p>	<p>A38L2</p> <p>1 x12 2 x16 3 x8</p>	<p>A3902</p> <p>1 x12 2 x16 3 x8</p>	<p>A26P2</p> <p>1 x12 2 x16 3 x4</p>	<p>A26L2</p> <p>1 x12 2 x16 3 x4</p>	<p>A2902</p> <p>1 x12 2 x16 3 x4</p>	<p>A16P2</p> <p>1 x12 2 x16 3 x4</p>	<p>A16L2</p> <p>1 x12 2 x16 3 x4</p>	<p>A1902</p> <p>1 x12 2 x16 3 x4</p>

<p>A4902</p> <p>1 x14 2 x18 3 x12</p>	<p>A36P2</p> <p>1 x12 2 x16 3 x8</p>	<p>A36L2</p> <p>1 x12 2 x16 3 x8</p>	<p>A38P2</p> <p>1 x12 2 x16 3 x8</p>	<p>A38L2</p> <p>1 x12 2 x16 3 x8</p>	<p>A3902</p> <p>1 x12 2 x16 3 x8</p>	<p>A26P2</p> <p>1 x12 2 x16 3 x4</p>	<p>A26L2</p> <p>1 x12 2 x16 3 x4</p>	<p>A2902</p> <p>1 x12 2 x16 3 x4</p>	<p>A16P2</p> <p>1 x12 2 x16 3 x4</p>	<p>A16L2</p> <p>1 x12 2 x16 3 x4</p>	<p>A1902</p> <p>1 x12 2 x16 3 x4</p>
---	--	--	--	--	--	--	--	--	--	--	--