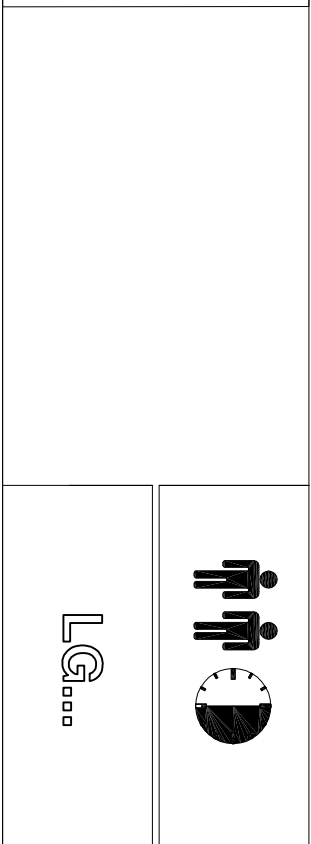
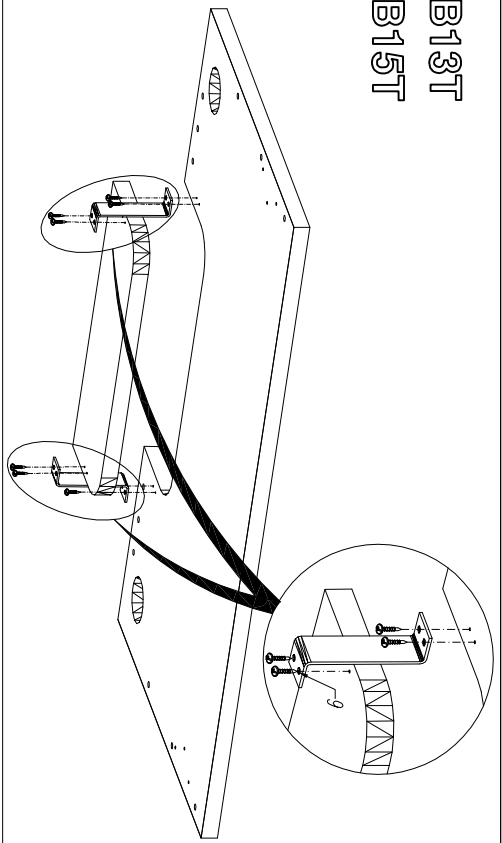
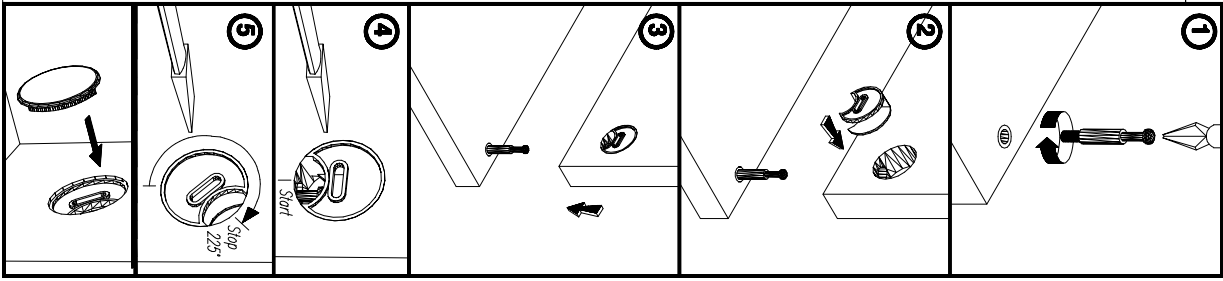
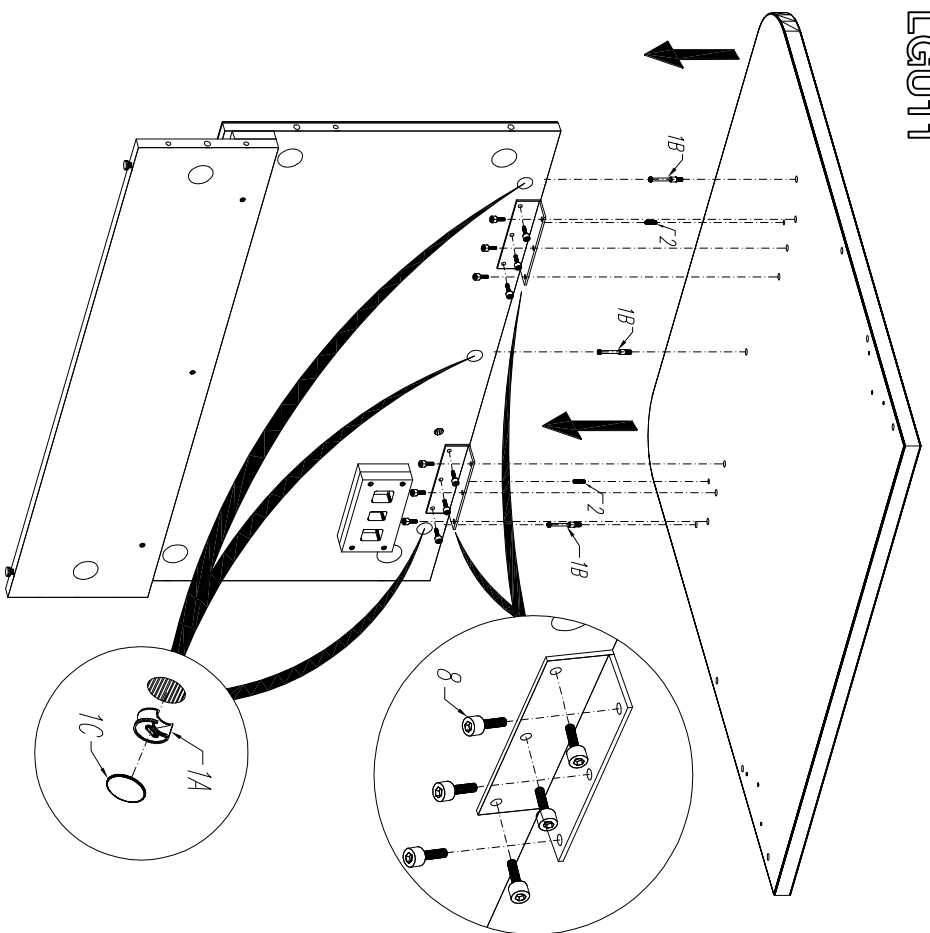


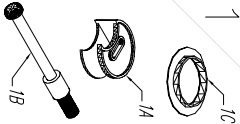
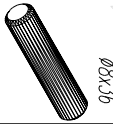




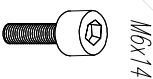
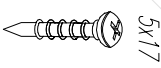
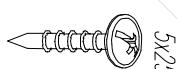

LGB13T
LGB15T



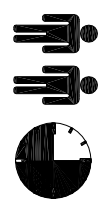
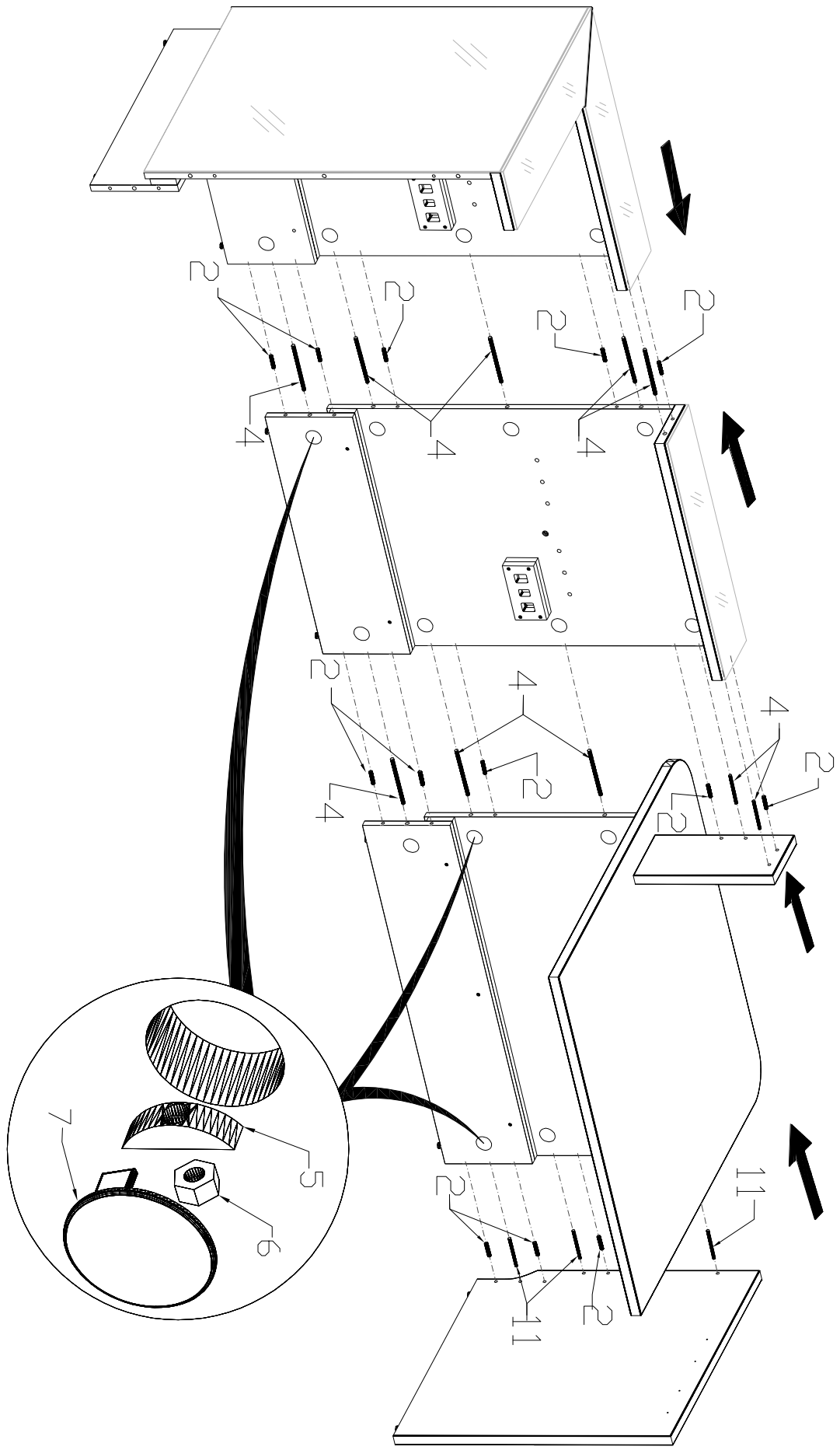
LGU11



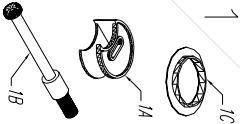





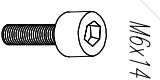
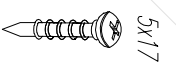
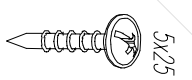

KOLEMNOŚĆ MONTAŻU
MIMOSRODOW.
THE FITTINGS SEQUENCE OF THE
CAMS.
DIE MONTAGEABFOLGE VON
EXZENTERN!

- 1  1B
- 2  Ø8x36
- 4  M6x110
- 5 
- 6 
- 7 
- 8  M6x14
- 9  5x17
- 10  5x25
- 11  M6x70

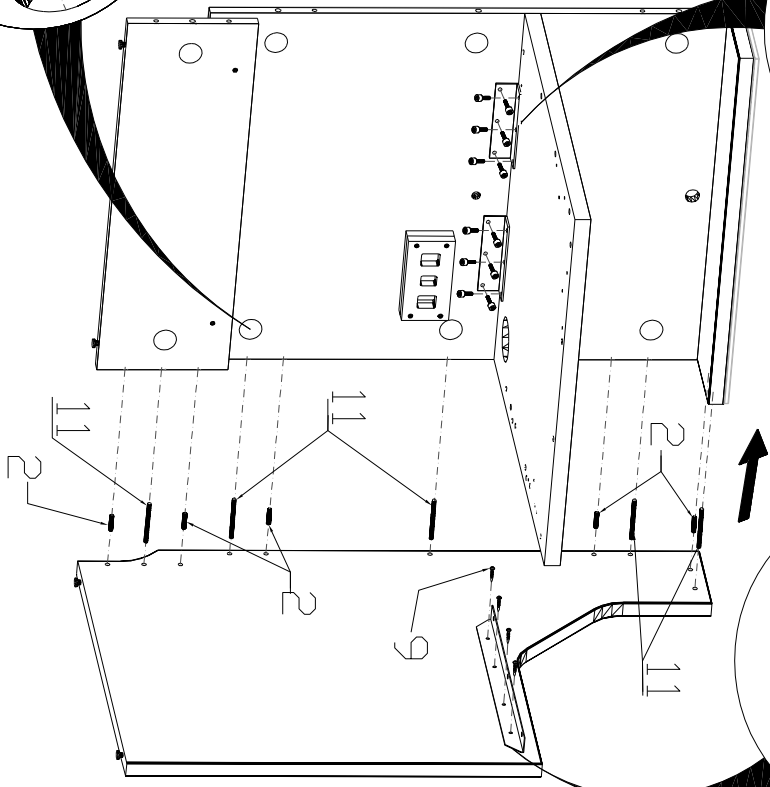
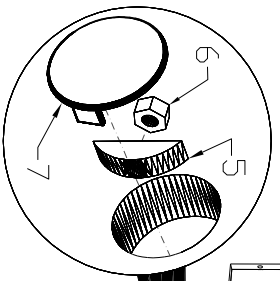
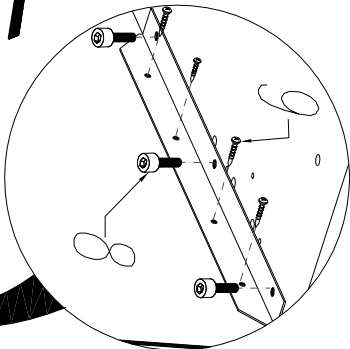
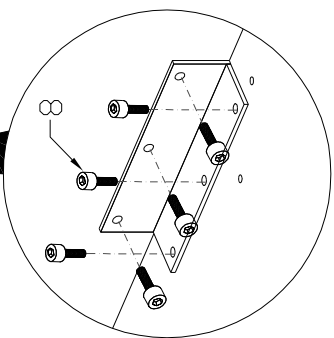
(A)



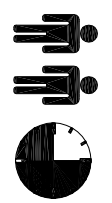
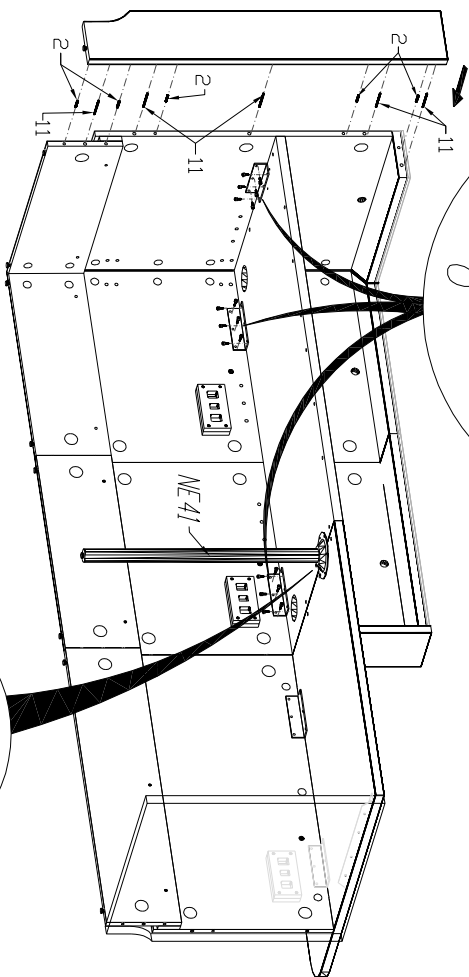
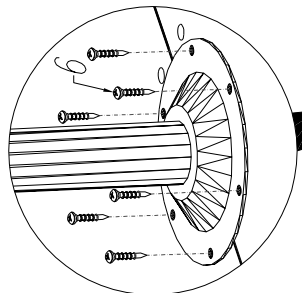
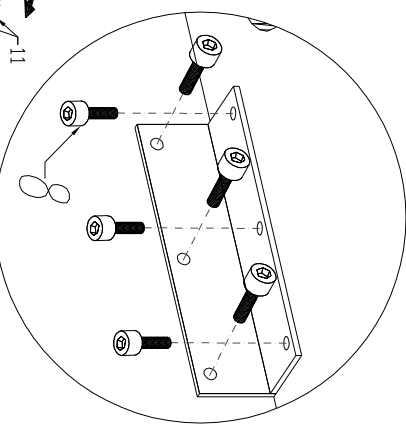
LG

- 1 
- 2 
- 4 
- 5 
- 6 
- 7 
- 8 
- 9 
- 10 
- 11 

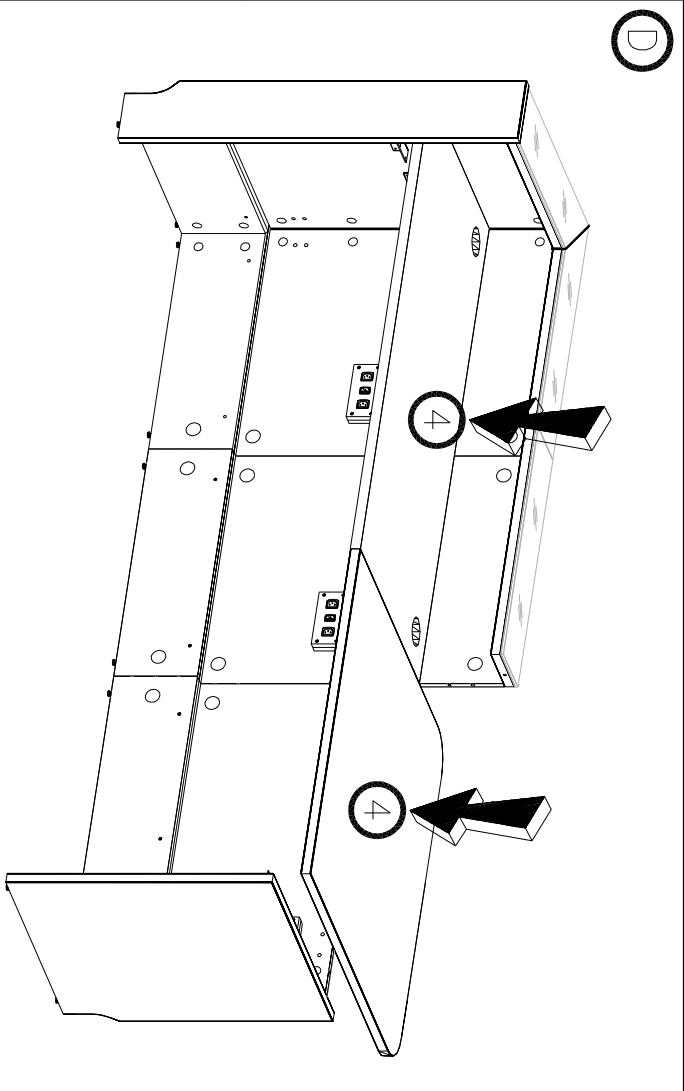
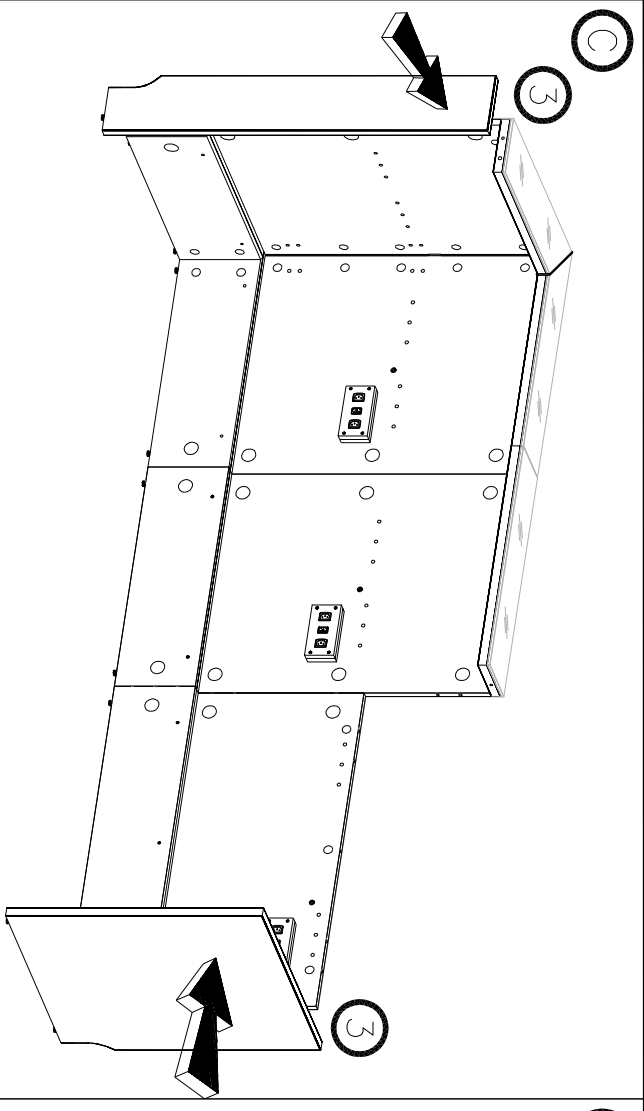
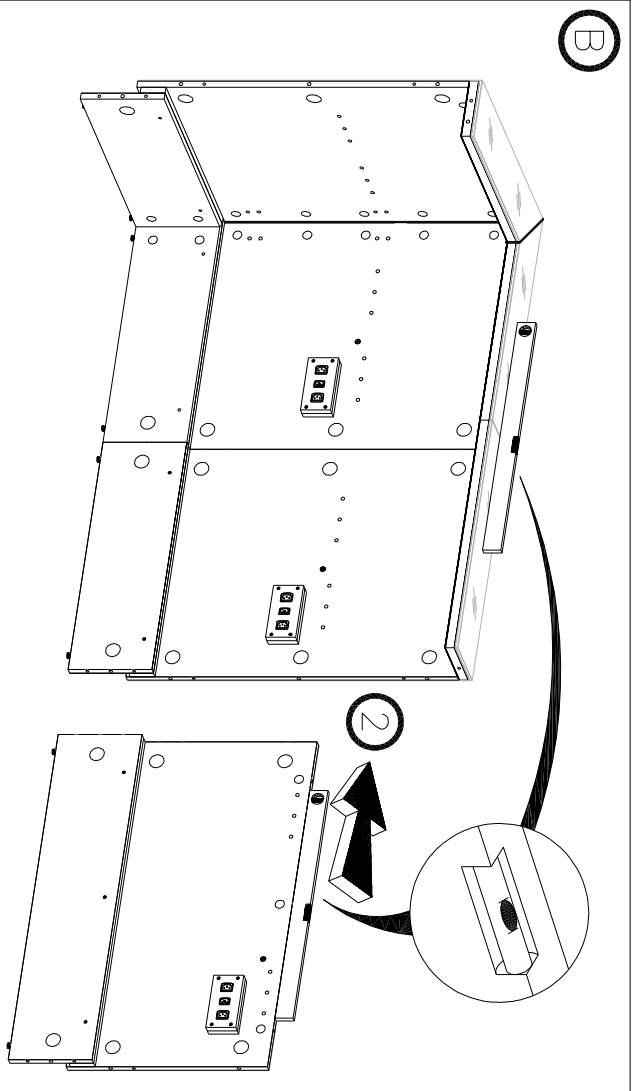
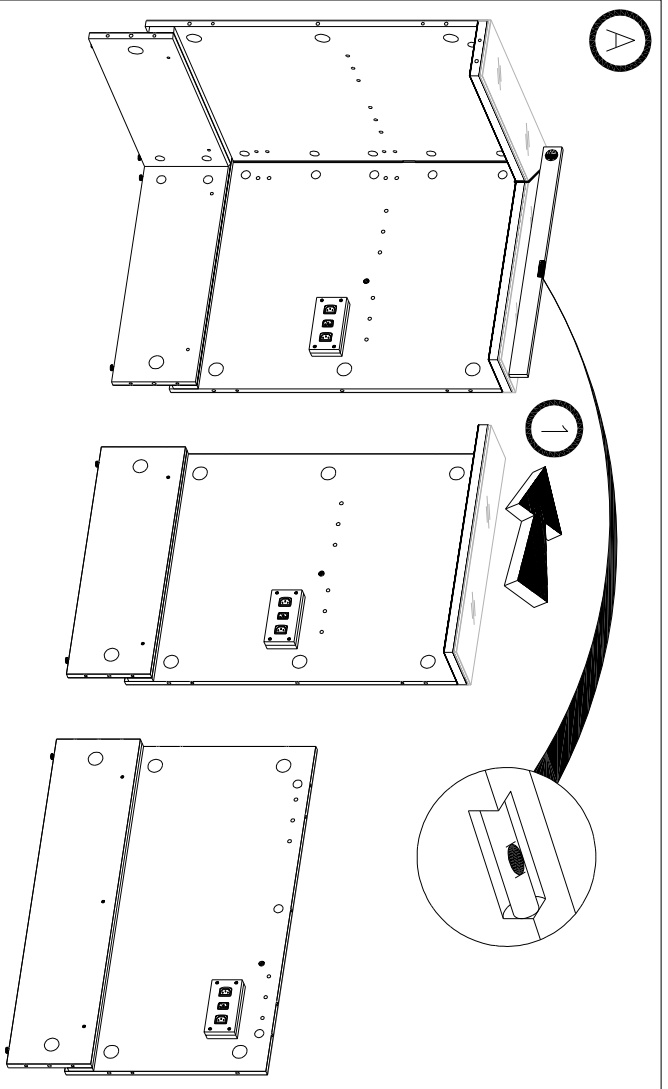
B

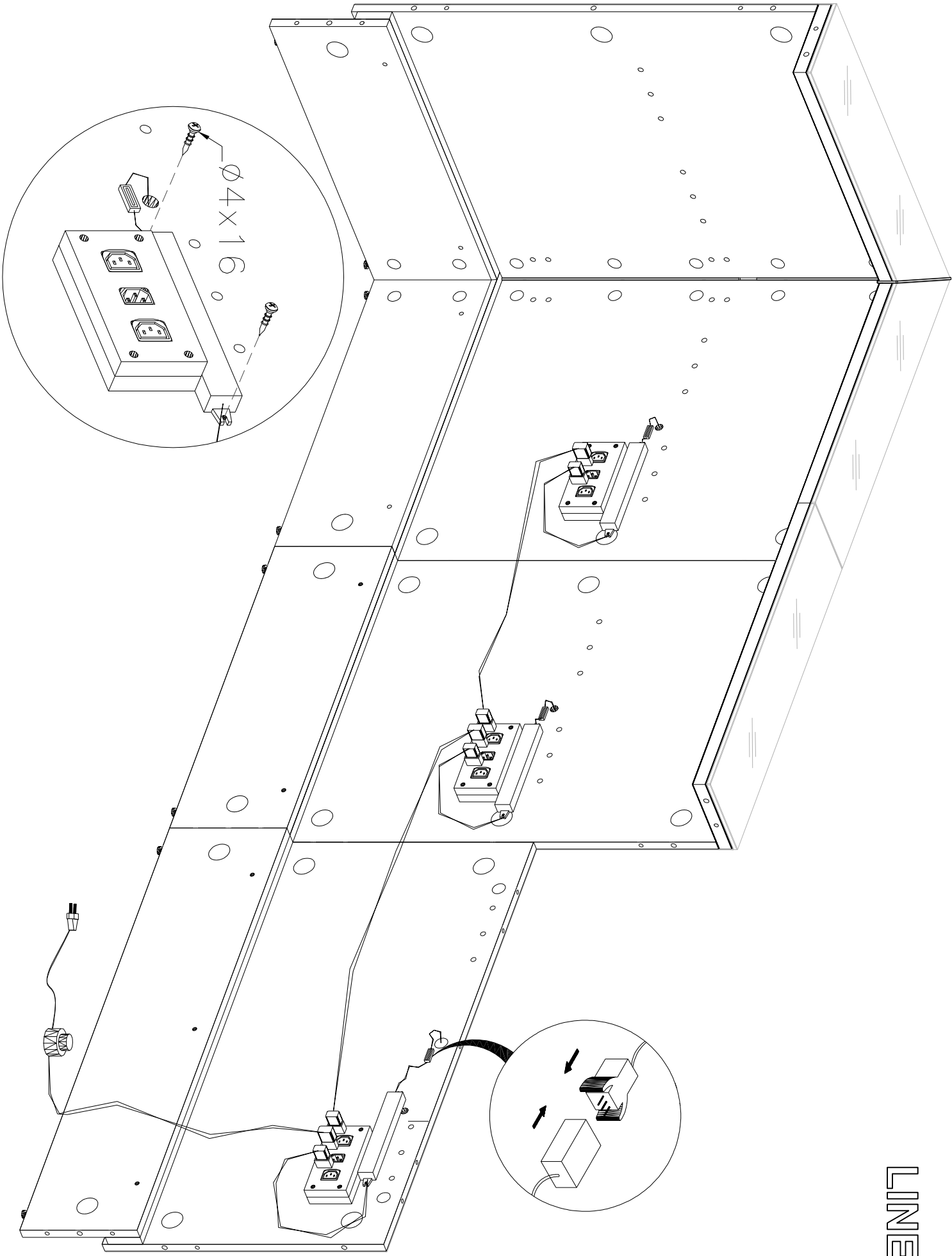


C



LG





LINEA