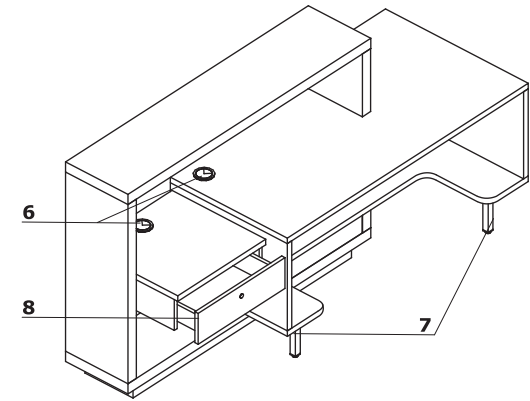
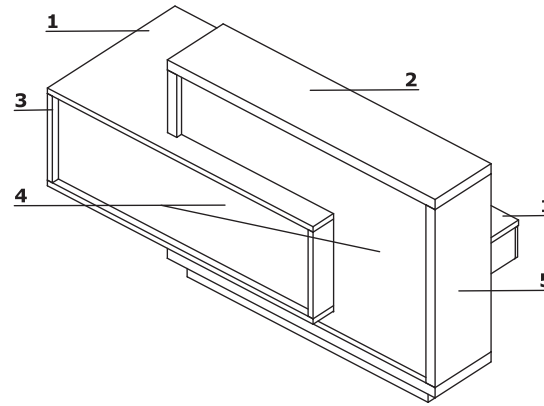


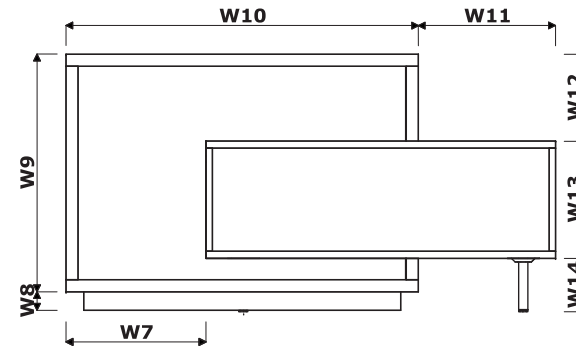
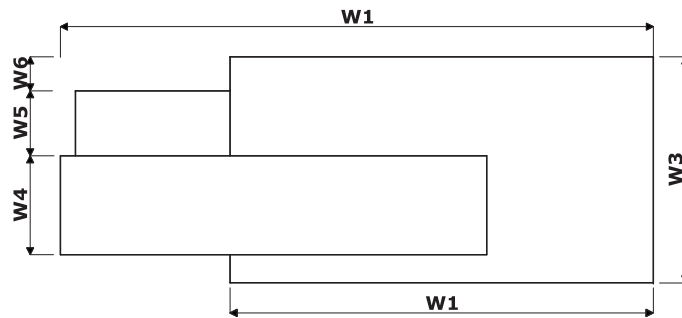
Technical specification

- 1 **Worktop** - MFC 28 mm, ABS edge
- 2 **Top** - MFC 52 mm (12+12+28 mm);, ABS edge
- 3 **Body** - MFC 28 mm, ABS edge
- 4 **Front** - MFC 18 mm, coated with HPL high gloss, ABS edge
- 5 **Body** - MFC 52 mm, ABS edge
- 6 **Cable grommets** - Ø80 mm
- 7 **Supporting leg** - profile 30x30 mm, colour: M009 - aluminium semi-matt
- 8 **MFC drawer** - ball runners, capacity 40 kg, 80 % pull-out, patent lock

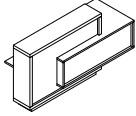
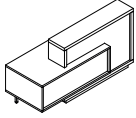


ATTENTION - Interior of the front in white

Dimensions



W1 - 1500 mm | W2 - 2101 mm | W3 - 800 mm | W4 - 350 mm | W5 - 231 mm | W6 - 121 mm | W7 - 600 mm | W8 - 80 mm | W9 - 1016 mm | W10 - 1512 mm | W11 - 589 mm | W12 - 372 mm | W13 - 500 mm | W14 - 230 mm |

Foro reception desk							
	Symbol		Dimensions			kg m3 pcs	Comments
			Width	Depth	Height		
	LF10		2100	800	1100	171.3 kg 0.447 m3 4 pcs	
	LF11		2100	800	1100	171.3 kg 0.454 m3 4 pcs	

Extra charge						