

Symbol		Dimensions					kg m3 pcs	Composition elements			
A	B	W1	W2	D1	D2	H					
<b>ALP04L</b>	<b>ALP04P</b>	1835	946			1100	103 kg 1.047 m3 7 pcs	A - ALP18L+ALP1P B - ALP1L+ALP18P			

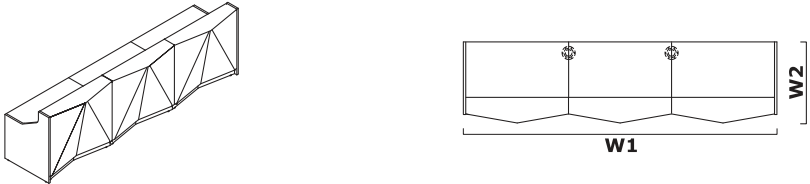
Extra charge						

Symbol		Dimensions					kg m3 pcs	Composition elements
W1	W2	D1	D2	H				
<b>ALP05</b>		1256	946			1100	76.5 kg 0.782 m3 5 pcs	ALP1L+ALP12+ALP1P

Extra charge						

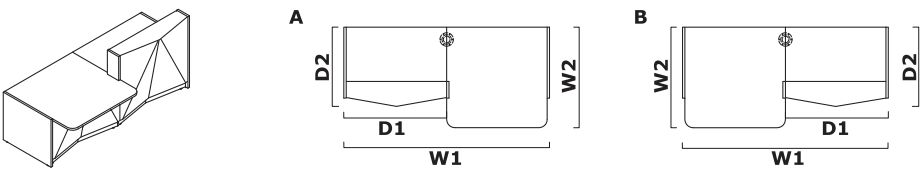
Symbol		Dimensions					kg m3 pcs	Composition elements
W1	W2	D1	D2	H				
<b>ALP06</b>		2456	946			1100	129 kg 1.498 m3 9 pcs	ALP1L+2xALP12+ALP1P+NG41

Extra charge						



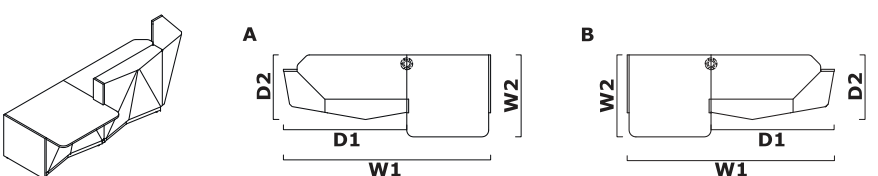
Symbol		Dimensions					kg m3 pcs	Composition elements
		W1	W2	D1	D2	H		
<b>ALP07</b>		3656	946			1100	181.5 kg 2.214 m3 13 pcs	ALP1L+3xALP12+ALP1P+2xNG41

Extra charge						



Symbol		Dimensions					kg m3 pcs	Composition elements
		W1	W2	D1	D2	H		
<b>ALP21L</b>	<b>ALP21P</b>	2456	1200	1228	950	1100	136.5 kg 1.273 m3 10 pcs	A - ALP3L+ALP11+ALP2P+ALP12+ALP1P+NG41 B - ALP1L+ALP12+ALP2L+ALP11+ALP3P+NG41

Extra charge						



Symbol		Dimensions					kg m3 pcs	Composition elements
		W1	W2	D1	D2	H		
<b>ALP22L</b>	<b>ALP22P</b>	3034	1200	1806	950	1100	163 kg 1.538 m3 12 pcs	A - ALP3L+ALP11+ALP2P+ALP18P+NG41 B - ALP18L+ALP2L+ALP11+ALP3P+NG41

Extra charge						

Symbol		Dimensions					kg m3 pcs	Composition elements
		W1	W2	D1	D2	H		
<b>ALP15</b>		3613	946			1100	182 kg 2.029 m3 13 pcs	ALP18L+ALP18P+NG41

Extra charge						

Symbol		Dimensions					kg m3 pcs	Composition elements
		W1	W2	D1	D2	H		
<b>ALP16</b>		4813	946			1100	234.5 kg 2.745 m3 17 pcs	ALP18L+ALP12+ALP18P+2xNG41

Extra charge						

Symbol		Dimensions					kg m3 pcs	Composition elements
		W1	W2	D1	D2	H		
<b>ALP25</b>		4813	1200			1100	244.5 kg 2.534 m3 19 pcs	ALP18L+ALP2L+ALP11+ALP2P+ALP18P+2xNG41

Extra charge						

Symbol		Dimensions					kg m3 pcs	Composition elements
		W1	W2	D1	D2	H		
<b>ALP14</b>		2514	2514	1568	1568	1100	210.5 kg 2.307 m3 14 pcs	

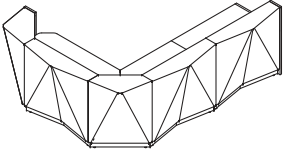
Extra charge					

Symbol		Dimensions					kg m3 pcs	Composition elements
		W1	W2	D1	D2	H		
<b>ALP24L</b>	<b>ALP24P</b>	3967	3135	2768	950	1100	299.5 kg 3.248 m3 21 pcs	A - ALP3L+ALP11+ALP2P+ALP90+ALP18P+2xNG41 B - ALP18L+ALP90+ALP2L+ALP11+ALP3P+2xNG41

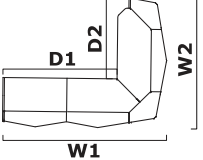
Extra charge					

Symbol		Dimensions					kg m3 pcs	Composition elements
		W1	W2	D1	D2	H		
<b>ALP23L</b>	<b>ALP23P</b>	3135	2767	2189	1568	1100	245.5 kg 2.532 m3 17 pcs	A - ALP3L+ALP11+ALP2P+ALP19P+NG41 B - ALP19L+ALP2L+ALP11+ALP3P+NG41

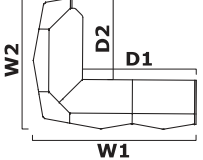
Extra charge					



**A**

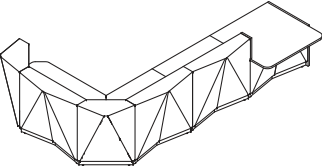


**B**

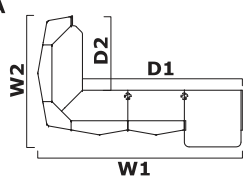


Symbol		Dimensions	kg m3 pcs	Composition elements										
A	B													
<b>ALP17L</b>	<b>ALP17P</b>	<table border="1" style="width: 100%; border-collapse: collapse;"> <tr> <th>W1</th> <th>W2</th> <th>D1</th> <th>D2</th> <th>H</th> </tr> <tr> <td>3135</td> <td>2514</td> <td>2189</td> <td>1568</td> <td>1100</td> </tr> </table>	W1	W2	D1	D2	H	3135	2514	2189	1568	1100	238 kg 2.757 m3 16 pcs	A - ALP19L+ALP12+ALP1P+NG41 B - ALP1L+ALP12+ALP19P+NG41
W1	W2	D1	D2	H										
3135	2514	2189	1568	1100										

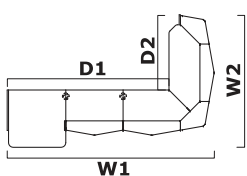
Extra charge					



**A**

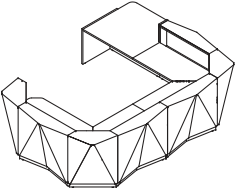


**B**

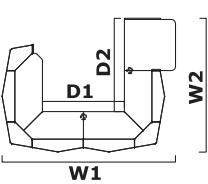


Symbol		Dimensions	kg m3 pcs	Composition elements										
A	B													
<b>ALP26L</b>	<b>ALP26P</b>	<table border="1" style="width: 100%; border-collapse: collapse;"> <tr> <th>W1</th> <th>W2</th> <th>D1</th> <th>D2</th> <th>H</th> </tr> <tr> <td>4335</td> <td>2767</td> <td>3390</td> <td>1568</td> <td>1100</td> </tr> </table>	W1	W2	D1	D2	H	4335	2767	3390	1568	1100	298 kg 3.248 m3 21 pcs	A - ALP3L+ALP11+ALP2P+ALP12+ALP19P+2xNG41 B - ALP19L+ALP12+ALP2L+ALP11+ALP3P+2xNG41
W1	W2	D1	D2	H										
4335	2767	3390	1568	1100										

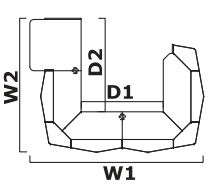
Extra charge					



**A**



**B**



Symbol		Dimensions	kg m3 pcs	Composition elements										
A	B													
<b>ALP27L</b>	<b>ALP27P</b>	<table border="1" style="width: 100%; border-collapse: collapse;"> <tr> <th>W1</th> <th>W2</th> <th>D1</th> <th>D2</th> <th>H</th> </tr> <tr> <td>4069</td> <td>3135</td> <td>1922</td> <td>2189</td> <td>1100</td> </tr> </table>	W1	W2	D1	D2	H	4069	3135	1922	2189	1100	382 kg 4.242 m3 26 pcs	A - ALP3L+ALP11+ALP2P+ALP90+ALP19P+2xNG41 B - ALP19L+ALP90+ALP2L+ALP11+ALP3P+2xNG41
W1	W2	D1	D2	H										
4069	3135	1922	2189	1100										

Extra charge					



