

Shape technical specification



.mdd

.mdd has a leading position among manufacturers of office furniture with many awards that prove quality and continuously increase demand for it's products.

The realities of today`s market require constant quality improvement at all levels of modern organization. This applies in particular to customer service, marketing, quality of products and also to quality of processes within the company.

Partnership relations among employees and with business partners form a base of economic growth and success of the company.

Constant investments in innovative machinery park, optimization of managment systems and an expansion of production halls allow to minimize the lead times for the product of the highest quality.

More than twenty years of experience in office furniture industry come with reference from a long list of companies and institutions to show their appreciation for an efficient and comprehensive service.

.mdd is higly aware of the environment.

Being located in the forest region with lake by itis side, .mdd takes the nature seriously and invests constantly in a modern and energy-efficient solutions to preserve the local life. Company puts emphasis on waste segregation and recycling. .mdd has been awarded for the exceptional care and involvement in waste disposal. All materials used are environmentally friendly and enjoy a high 95 % rate of being recycled.



General informations:

Warranty:

.mdd products - **5 years.**

Electrical components and fabric - **2 years.**

Certificate - fabric:



Plate density:

12 mm - 690 - 750 kg/m³

18 mm - 650 - 690 kg/m³

28 mm - 610 - 630 kg/m³

36 mm - 610 - 630 kg/m³

Assembly:

the product comes pre-assembled

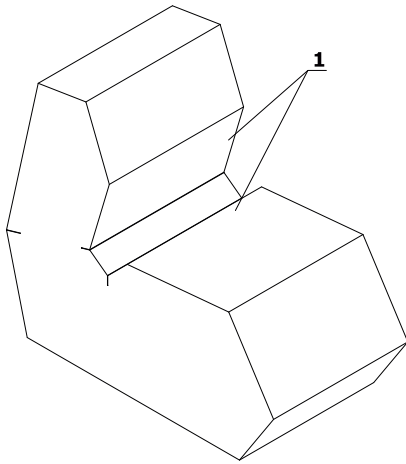
Packing:

foam wrap

Shape	Date of preparation 20.04.2022	The data contained in this document is valid in the day of its preparation. Change of the product, as long as it does not affect the basic features of it, does not require consistent updates of the document.	page 2/10
			general informations

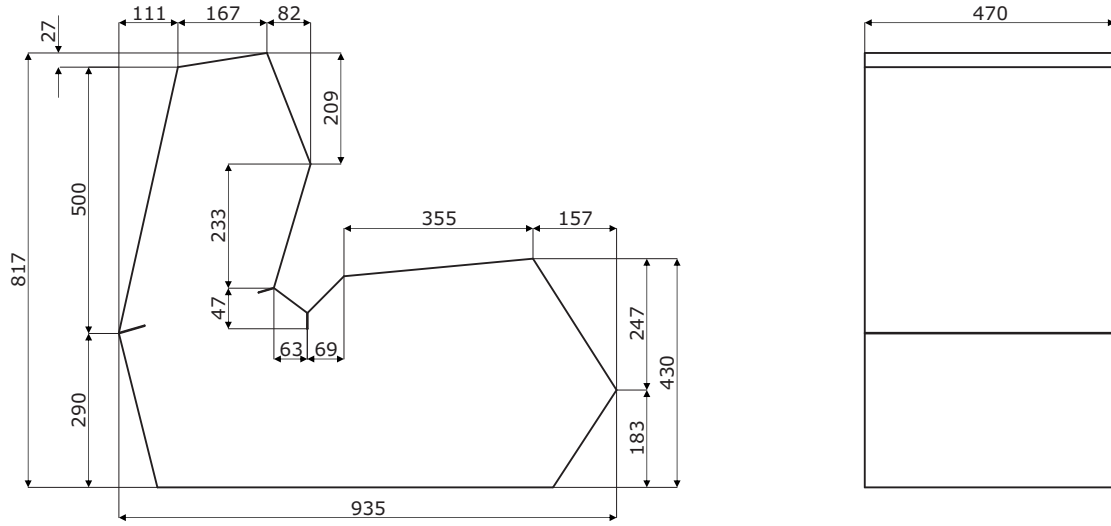
Shape

1. Seat - cut foam, upholstered, density of 40 kg/m³



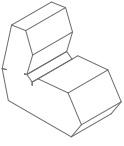
Shape	Date of preparation 20.04.2022	The data contained in this document is valid in the day of its preparation. Change of the product, as long as it does not affect the basic features of it, does not require consistent updates of the document.	page 3/10 technical description
--------------	-----------------------------------	---	---

Dimensions



Shape	Date of preparation 20.04.2022	The data contained in this document is valid in the day of its preparation. Change of the product, as long as it does not affect the basic features of it, does not require consistent updates of the document.	page 4/10
			dimensions (mm)

Shape *

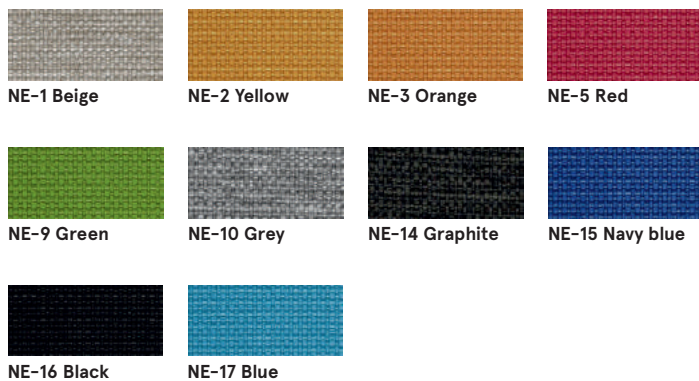


SP01
470 / 935 / 817
13.1 kg

* dimensions expressed in millimeters: width x depth x height

Shape	Date of preparation 20.04.2022	The data contained in this document is valid in the day of its preparation. Change of the product, as long as it does not affect the basic features of it, does not require consistent updates of the document.	page 5/10
			products

Fabric Nemo



Technical data:

Material polyester 100%
Fabric weight 366g/m2
Abrasion resistance rubs PN_EN ISO 12947 - 2:2 100,000
Pilling resistance scale 1-8, max. 8, PN-EN ISO 105 - B02 (3-4)
Colour fastness to light scale 1-5, max. 5, PN-EN 1021 - 2,
Colour fastness to rubbing PN-EN 1021 - 1
 skscale 1-5, max. 5, EN ISO 105x12
 (wet/dry) 4-5

Fabric Medley - second price group



Technical data:

Material polyester 100%
Fabric weight 510 g/lm (16.45 oz./lin.yd.)
Abrasion resistance rubs BS EN ISO 12947-2, 75,000 cykli Martindale
Pilling resistance scale 1-5, max. 5, EN ISO 12945-2 (4)
Colour fastness to light scale 1-8, max. 8, EN ISO 105-B02 (5-7)
Colour fastness to rubbing scale 1-5, max. 5, EN ISO 105x12
 (wet/dry (4-5/4-5)
Acoustic test sound absorption ISO 354
Flammability BS EN 1021-1 (cigarette)
 BS 476 Part 7, Class 2
 Class Uno UNI 9174 - UNI 8457
 CA TB 117-2013
 ASTM E 84 Class I

Fabric Atlantic - second price group



Technical data:

Material polyester 100%
Fabric weight 530 g/lm (17.09 oz./lin.yd.)
Abrasion resistance rubs BS EN ISO 12947-2, 110,000 Martindale cycles
Pilling resistance scale 1-5, max. 5, EN ISO 12945-2 (4-5)
Colour fastness to light scale 1-8, max. 8, EN ISO 105-B02 (5-7)
Colour fastness to rubbing scale 1-5, max. 5, EN ISO 105x12
 (wet/dry
Flammability CA TB 117-2013
 ASTM E 84 Class I
 BS EN 1021-2 (match)
 BS EN 1021-1 (cigarette)

* There is a possibility of ordering the product in full colour spectrum of Atlantic range, as per Gabriel's pattern book, within 8 weeks

Shape	Date of preparation 20.04.2022	The data contained in this document is valid in the day of its preparation. Change of the product, as long as it does not affect the basic features of it, does not require consistent updates of the document.	page 6/10
			colours

Fabric Vita - second price group



Technical data:

Material Surface: 98,5% PVC, 1,5% PU
Substrate: 50% poliester, 50% Cotton

Fabric weight 850g/m2 ± 10% (1190G/lin. m ± 10%)

Abrasion resistance rubs BS EN ISO 5470-2, 100,000 Martindale cycles

Colour fastness to light 6 (ISO 105 - B02)

Colour fastness to rubbing wet: 4, dry: 4 (ISO 105 - X12)

Flammability BS EN 1021 - (cigarette)
BS EN 1021 - 2 (match)
BS 5852 - (Ignition Source 5)
BS 7176 - (Medium Hazard)

Flexes BS EN ISO 7854 - Method B,
400.000 Flexing cycles

Anti-microblal / Anti-fungal AATCC 147

Fabric Charles * - second price group



Technical data:

Material 100% polyester

Fabric weight 433g/m2

Abrasion resistance rubs 90,000 Martindale cycles (EN ISO 12947-2)

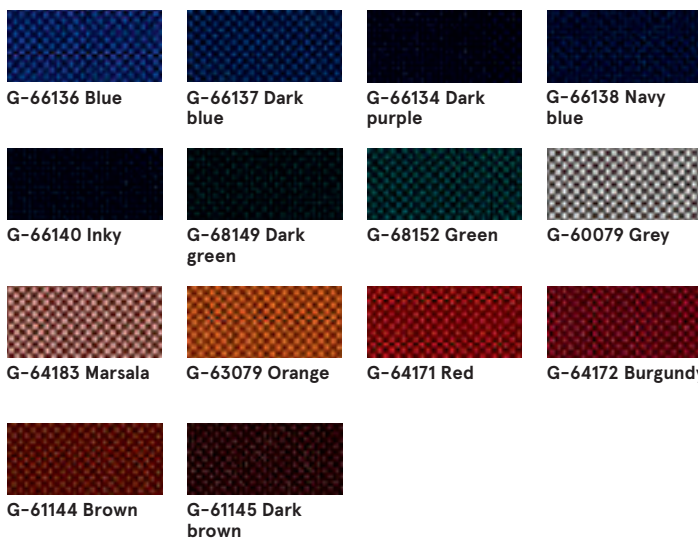
Pilling resistance EN ISO 12945-2, 5

Light fastness EN ISO 105-B02, 5

Rubbing fastness dry: 4-5, wet: 4-5, EN ISO 105x12

Flammability EN 1021, 1

Fabric Go Check - second price group



Technical data:

Material 100% Trevira CS

Fabric weight 435g/lm

Abrasion resistance rubs 80,000 rubs martindale (EN ISO 12947-2)

Pilling resistance scale 1-5, max. 5 - EN ISO 12945-2, 5

Light fastness scale 1-8, max. 8 - EN ISO 105-B02, 5-8

Rubbing fastness dry: 4-5, wet: 4-5, scale 1-5, max. 5 - EN ISO 105x12

Flammability BS EN 1021 1&2 Cigarette and Match
BS EN 1021-1 Cigarette
BS 5852 Crib 5
BS 7176 Medium hazard
DIN 4102 - B1
NFP 92-503/504/505 M1
ÖNORM A3800-B1-B3825-Q1 UK
Class Uno UNI 9175 Class 1 I EMME
FAR/JAR 25.853 (a) (i) (ii)
CA TB 117-2013
DIN EN 13501-1 B-s1,d0
AM 18 - NF D 60-013-(only for fabric)

* There is a possibility of ordering the product in full colour spectrum of Charles range, as per Dekoma pattern book, within the standard delivery time.

Shape	Date of preparation 20.04.2022	The data contained in this document is valid in the day of its preparation. Change of the product, as long as it does not affect the basic features of it, does not require consistent updates of the document.	page 7/10
			colours

Fabric Mica - second price group



Technical data:

Material post-consumer recycled polyester 97%, polyester 3%

Fabric weight 305 g/lm

Abrasion resistance rubs 60,000 rubs martindale (EN ISO 12947-2)

Pilling resistance scale 1-5, max. 5 - EN ISO 12945-2, 4-5

Light fastness scale 1-8, max. 8 - EN ISO 105-B02, 5-8

Rubbing fastness dry: 4-5, wet: 4-5, scale 1-5, max. 5 - EN ISO 105x12

Flammability CA TB 117-2013
ASTM E 84 Class I
BS EN 1021-1 Cigarette
BS EN 1021-2 Match
BS 476 Part 7 class I

Fabric Xtreme - third price group



Technical data:

Material 100% Trevira Clame (CS)
100% Recycling (YS)
Flame Retardant polyester.
Non metallic dyestuffs.

Fabric weight 310 g/m2 ±5% (435g/lin.m ±5%)

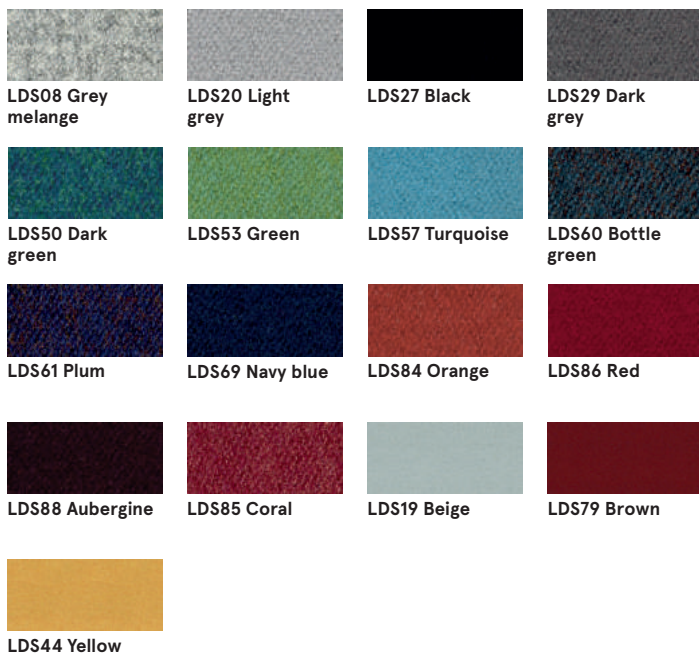
Abrasion resistance rubs 60,000 Martindale cycles (CS)
100,000 Martindale cycles (YS)

Colour fastness to light 6 (ISO 105 - B02)

Colour fastness to rubbing wet: 4, dry: 4 (ISO 105 - X12)

Flammability EN 1021 - 1 (cigarette),
EN 1021 - 2 (match)
BS 7176 Low Hazard,
NF P92-507 M1, DIN 4102 B1,
UNI 9175 Class 1 IM, UNI 8456,
UNI 9174 & UNI 9177 Classe Uno,
ÖNORM B 3825 & A 3800-1
NF D 60-013

Fabric Synergy - third price group



Technical data:

Material 95% Virgin Wool, 5% Poliamid
Fabric weight 400g/m2 ±5% (560 g/lin.m ±5%)
Abrasion resistance rubs Independently certified
 ≥100,000 Martindale cycles
Colour fastness to light 5 (ISO 105 - B02)
Colour fastness to rubbing ISO 105 - X12 - wet: 4, dry: 4
Flammability EN 1021 - 1 (cigarette,
 EN 1021 - 2 (match),
 BS 7176 Low Hazard,
 UNI 9175 Classe 1 IM,
 ÖNORM B 3825 & A 3800-1

Fabric Silvertex - third price group

Technical data:

Material Topcoat: 100% Vinyl
 Backing: 100% Polyesterr Hi-Loft™
Fabric weight 685 gr/m2
Abrasion resistance >300,000 cycles Martindale
UV-resistance >= 7 (1000 hours, blue wool scale)
Cold Crack resistance -23°C
Flame retardancy NF P 92-503 / M2
 EN 1021, Part 1&2
 DIN 4102 B2
 ÖNORM B 3825, Gruppe I - Schwerbrennbares
 Verhalten
 ÖNORM A 3800, Teil I, Qualmbildungsklasse QI
 - schwachqualmend
 IMO Res. MSC.307 (88) (2010 FTP Code) Annex
 I Part 8
 (MED) Marine Equipment Directive in its
 current valid version
 UNI 91 75 (1987) / UNI 9175/FAI (1994) Classe
 I.IM (uno I EMME)
 UNE 23.727-90 IR /M2
 EN 71-2: 2006+A1: 2007 Safety of Toys - Part 2:
 Flammability
 ECE R 11 8 (replaces Directive 95/28/EC)
 FMVSS 302
 FAR 25/853
Antimicrobial Antifungal Protection, Antibacterial
 Protection, Antimycotic Protection

There is a possibility of ordering the product in full colour spectrum of Silvertex range, as per Spradling's pattern book, within 15 working days.

Fabric Atlas – fourth price group



Technical data:

Material 90% new wool, 10% nylon
Fabric weight 286g/m2, 400g/lm
Abrasion resistance rubs 100,000 cykli Martindale, EN ISO 12947
Colour fastness to light ISO 105 B02: 6-7
Colour fastness to rubbing ISO 105-X12:2001, (wet/dry) 4-5/4-5
Flammability BS EN 1021-2 Match, BS EN 1021-1 Cigarette, BS 5 5852 Crib 5, BS 5852 ignition source 3, BS 5852 Part 1, NF D 60 013, UNI 9175 11M, US Cal. Bull. 117-2013

Fabric Field2 – fourth price group



Technical data:

Material 100% Trevira CS
Fabric weight 321g/m2, 450g/lm
Abrasion resistance rubs 100,000 cykli Martindale, EN ISO 12947
Colour fastness to light ISO 105 B02: 5-7
Flammability BS EN 1021-2 Match, BS EN 1021-1 Cigarette, BS 5 5852 Crib 5, DIN 4102 B1 FAR 25.853, UNI 9177 classe 1, US Cal. Bull. 117-2013

Leather – fourth price group



Technical data:

Material Leather type - corrected grain leather
 Type of finishing - pigmented leather
Abrasion resistance rubs Dry: 500 cycles - min. 4 grey scale
 Wet: 250 cycles - min. 4 grey scale
 UNI EN ISO 11640
Colour fastness to light Light fastness: min. 4 grey scale,
 UNI ISO 105-802
Flammability No ignition
 UNI EN 1021-1-2006
 BS EN 1021-1-2006