

Ogi W

technical specification



.mdd

.mdd has a leading position among manufacturers of office furniture with many awards that prove quality and continuously increase demand for its products.

The realities of today's market require constant quality improvement at all levels of modern organization. This applies in particular to customer service, marketing, quality of products and also to quality of processes within the company. Partnership relations among employees and with business partners form a base of economic growth and success of the company.

Constant investments in innovative machinery park, optimization of management systems and an expansion of production halls allow to minimize the lead times for the product of the highest quality.

More than twenty years of experience in office furniture industry come with reference from a long list of companies and institutions to show their appreciation for an efficient and comprehensive service.

.mdd is highly aware of the environment.

Being located in the forest region with lake by its side, .mdd takes the nature seriously and invests constantly in a modern and energy-efficient solutions to preserve the local life. Company puts emphasis on waste segregation and recycling. .mdd has been awarded for the exceptional care and involvement in waste disposal. All materials used are environmentally friendly and enjoy a high 95 % rate of being recycled.



General informations:

Warranty:

.mdd products – 5 years.
Electrical components and fabric – 2 years.

Certificate – MFC:



Assembly:

product delivered in separate elements

Packing:

cardboard, perforated plastic mesh wrap

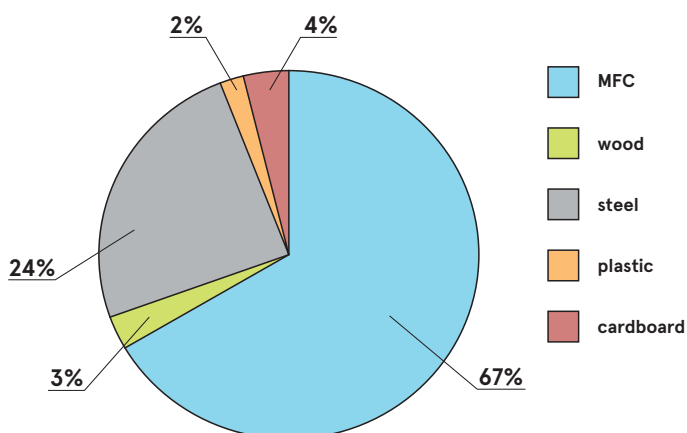
Compliant with standards:

PN-EN 527-2:2017-02

Boards density:

12 mm – 690 – 750 kg/m³
18 mm – 650 – 690 kg/m³
28 mm – 610 – 630 kg/m³
36 mm – 610 – 630 kg/m³

Material composition *:



Recyclability **

Recycling: 37% - Downcycling: 63%

Recycled content

63%

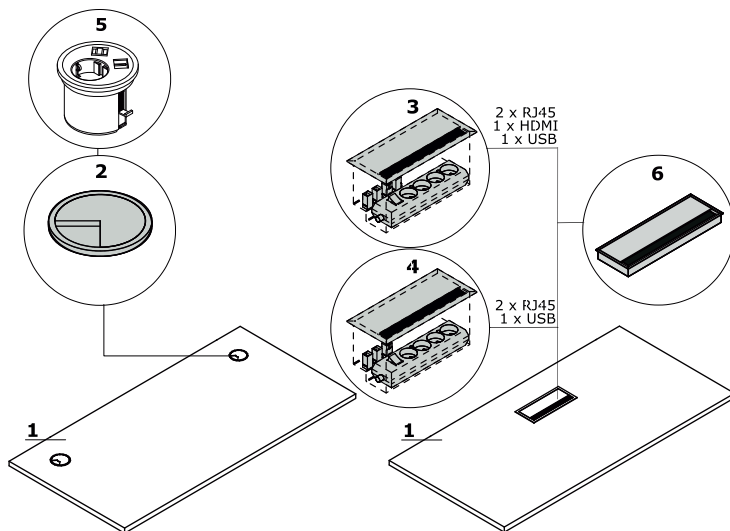
Co2 carbon footprint

67,9 kg

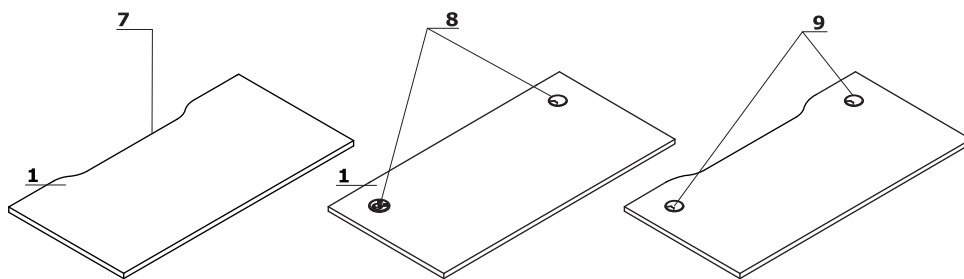
* according to the EPD document

** average values for a representative of the group; values may vary for other products

Ogi desk worktops

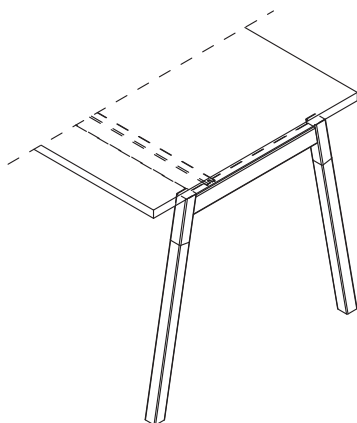


1. **Worktop** - MFC 28 mm, ABS edge
- OPTIONS WITH EXTRA CHARGE:**
2. **Grommet** - 2 pcs, Ø 80 mm
3. **Mediabox M04H** - 2 x RJ45 (class E, cat. 6); + 1 x USB + 1 x HDMI + 4 x 230V
4. **Mediabox M04** - 2 x RJ45 (class E, cat. 6); + 1 x USB + 4 x 230V
5. **Mediabox M07** - 1 x 230V + 1 x USB charger + 1 x RJ45, colour: black, white, mounted instead of the existing grommet Ø80 mm (Pk80)
6. **Top access M05**
7. **Cable way** - the width of the opening is proportional to the width of the worktop
8. **Mediabox M07 + cable grommets**
9. **Cable way + cable grommets** - desks, bench desks



Frame

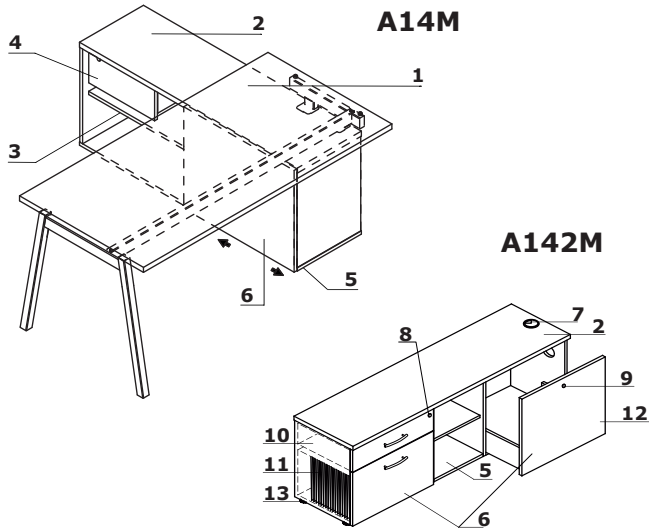
Ogi W: natural wood - ash, coated with transparent varnish, with metal element, powder coated, profile 40 × 40 mm, spacer 10 mm between top and frame



Attention - cable tray under the worktop is always in M009 - aluminium semi-matt colour.
 Attention - leveling - 10 mm range.

Ogi W	Date of preparation 03.11.2022	The data contained in this document is valid in the day of its preparation. Change of the product, as long as it does not affect the basic features of it, does not require consistent updates of the document.	page 3/12 technical description
-------	-----------------------------------	---	---

Desk with managerial storage



A14M:

- 1. **Worktop** - MFC 28 mm, ABS edge
- 2. **Top** - MFC 28 mm, ABS edge
- 3. **Shelf** - MFC 18 mm, protection against accidental falling-out, ABS edge
- 4. **Drawer** - MFC 18 mm, ABS edge, patent lock - possible to change location

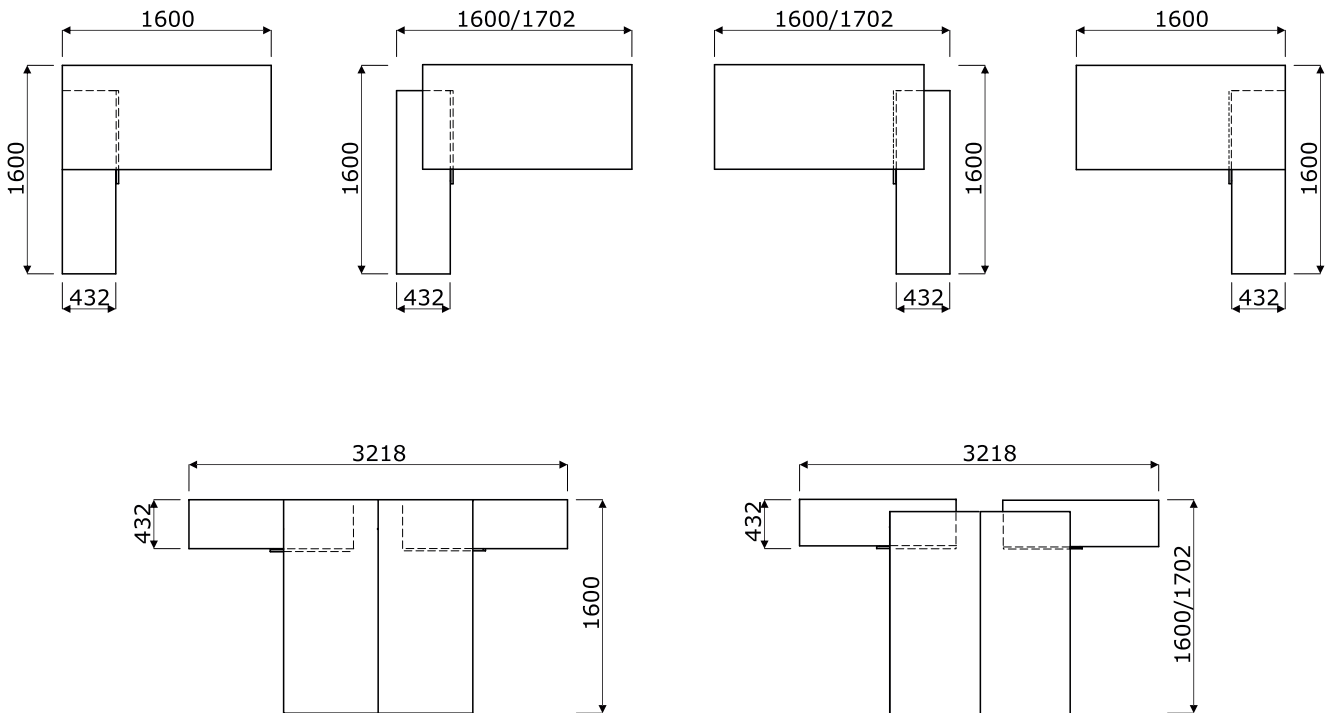
- 5. **Base** - MFC 18 mm, ABS edge
- 6. **Front** - MFC 18 mm, ABS edge

A12M - OPTION WITH EXTRA CHARGE:

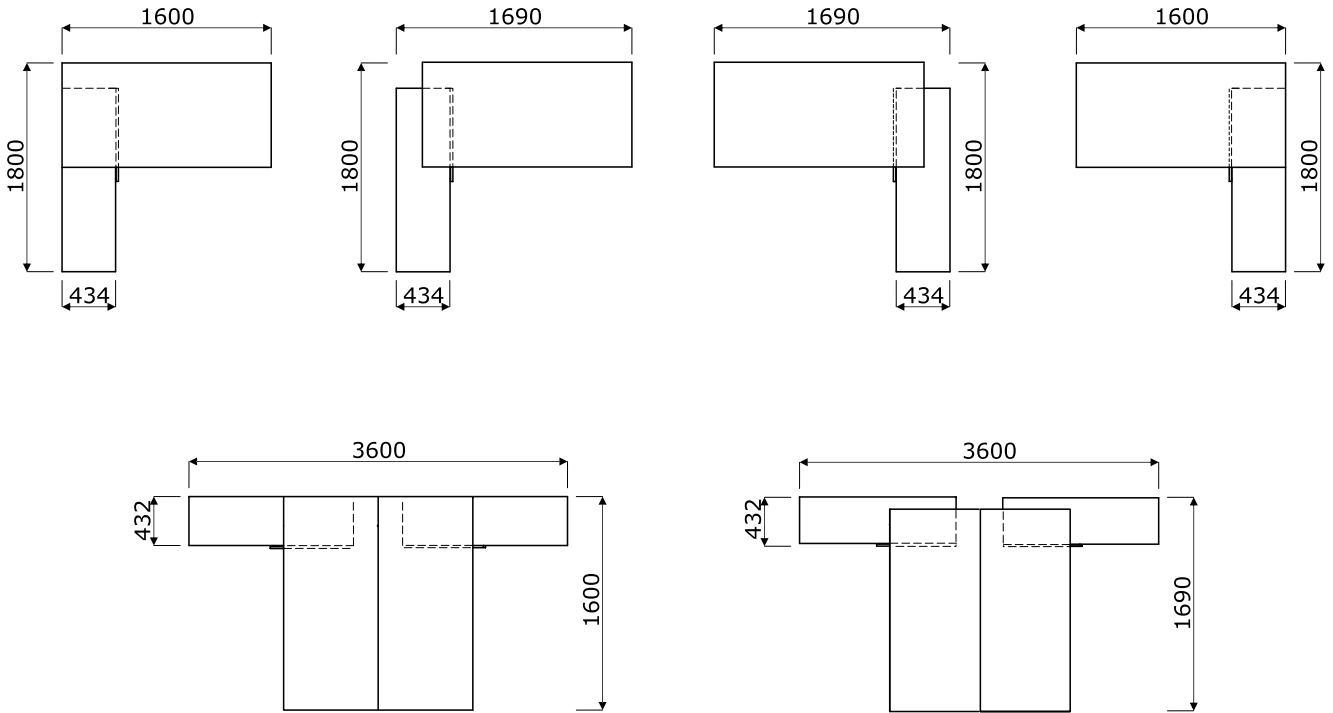
- 7. **Top** - MFC 28 mm, ABS edge
- 8. **Cable grommets** - Ø80 mm
- 9. **Base** - MFC 18 mm, ABS edge
- 10. **Front** - MFC 18 mm, ABS edge
- 11. **Central lock** - foldable key
- 12. **Patent lock**
- 13. **Metal drawer** - roll runners, max load 25 kg, 80% extraction, anti-tilt mechanism
- 14. **Suspension files drawer** - with bottom, ball runners, max load 45kg, 100% extraction, Push-to-Open
- 15. **Drawer with bottom** - ball runners, max. load 40 kg, 100 % extraction, push-to-open, enough space for computer
- 16. **Leveling feet** - range 5 mm

Configuration examples - desk with managerial storage - A14M (mm)

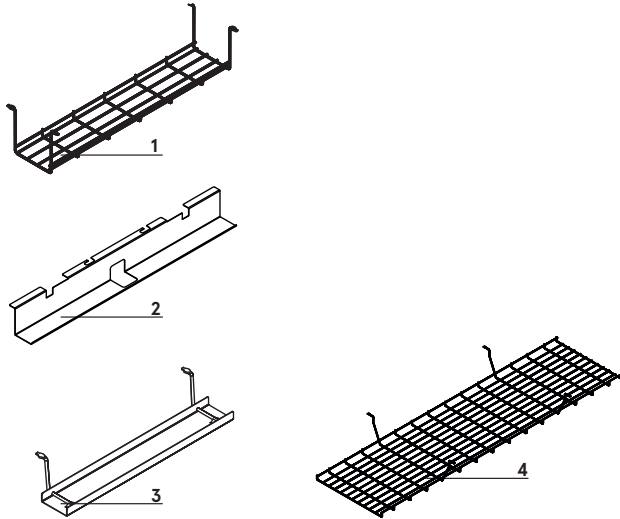
www.mdd.eu



Configuration examples - desk with managerial storage - A12M (mm)



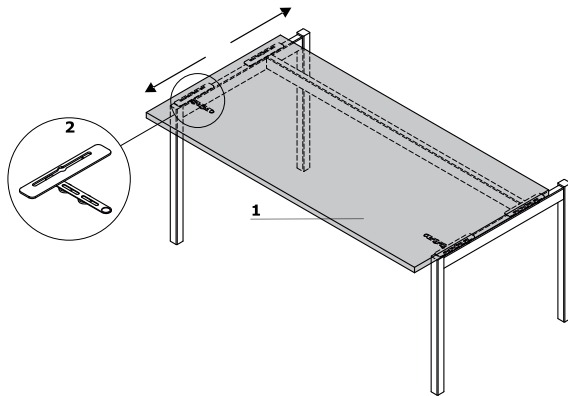
Accessories



1. Horizontal cable tray S69 - powder coated
2. Single desk horizontal cable tray (SG12, SG16) - powder coated metal
3. Horizontal cable tray E64 - powder coated
4. Cable tray for bench desks (SG220, SG260) - steel wire Ø4 mm, powder coated

Sliding top

1. Sliding top - shifting range 141 mm
2. Tabletop sliding lock

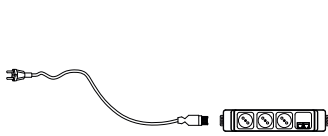


Note – M04, M04H, and M07 mediaboxes cannot be installed.

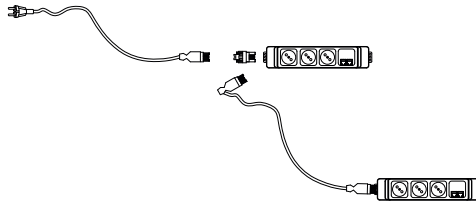
Power strip - for series connection

- 1. **PWS1** - set for 1 workstation - power strip (3x SCHUCKO, 2x RJ45) x1 + power cord (universal outlet PL/FR/Schucko)
- 2. **PWS2** - set for 2 workstation - power strip (3x SCHUCKO, 2x RJ45) x2 + set of power cords (universal outlet PL/FR/Schucko)
- 3. **PWS3** - set for 3 workstation - power strip (3x SCHUCKO, 2x RJ45) x3 + set of power cords (universal outlet PL/FR/Schucko)

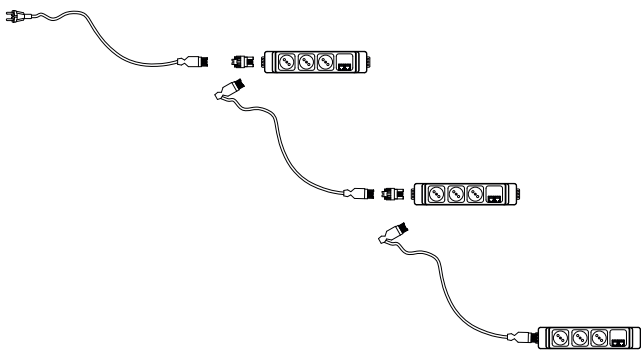
1



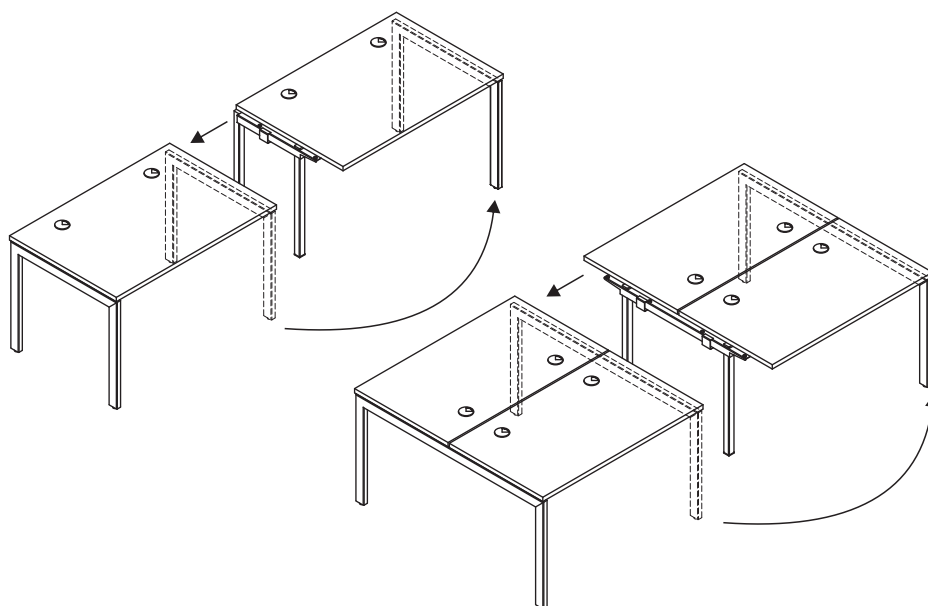
2



3



Elements for desks pairing



Desks *



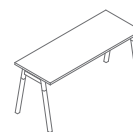
BOW10
1000 / 600 / 740
23.4 kg



BOW12
1200 / 600 / 740
25.3 kg



BOW14
1400 / 600 / 740
48 kg



BOW16
1600 / 600 / 740
31.5 kg



BOW19
1000 / 700 / 740
26.05 kg



BOW22
1200 / 700 / 740
31.7 kg



BOW24
1400 / 700 / 740
57.8 kg



BOW26
1600 / 700 / 740
39.5 kg

www.mdd.eu



BOW02
1200 / 800 / 740
34 kg



BOW03
1400 / 800 / 740
36.75 kg



BOW04
1600 / 800 / 740
41.05 kg



BOW05
1800 / 800 / 740
45.55 kg



BOW06
2000 / 800 / 740
48.6 kg

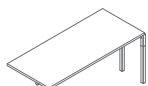


BOW07
1000 / 1000 / 740
90.85 kg

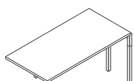
* dimensions expressed in millimeters: width x depth x height

Ogi W	Date of preparation 03.11.2022	The data contained in this document is valid in the day of its preparation. Change of the product, as long as it does not affect the basic features of it, does not require consistent updates of the document.	page 8/12
			products

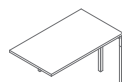
Elements for arrangement building - straight desk, natural wood *



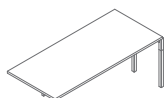
BOW222L
1200 / 700 / 740
28.45 kg



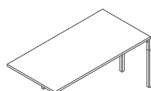
BOW242L
1400 / 700 / 740
29.55 kg



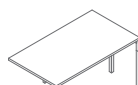
BOW262L
1600 / 700 / 740
36.25 kg



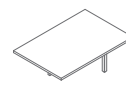
BOW022L
1200 / 800 / 740
30.04 kg



BOW032L
1400 / 800 / 740
32.79 kg

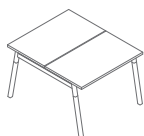


BOW042L
1600 / 800 / 740
37.09 kg

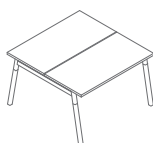


BOW052L
1800 / 800 / 740
41.59 kg

Bench desks *



BOW50
1000 / 1210 / 740
41.8 kg



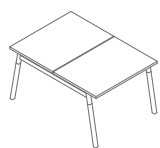
BOW52
1200 / 1210 / 740
45.6 kg



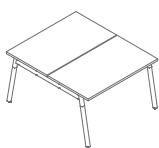
BOW54
1400 / 1210 / 740
59.1 kg



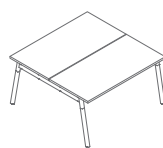
BOW56
1600 / 1210 / 740
58 kg



BOW48
1000 / 1410 / 740
48.1 kg



BOW42
1200 / 1410 / 740
59.4 kg



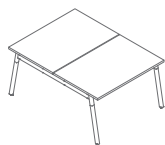
BOW44
1400 / 1410 / 740
61.6 kg



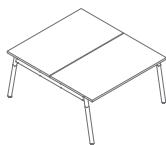
BOW46
1600 / 1410 / 740
75 kg

* dimensions expressed in millimeters: width x depth x height

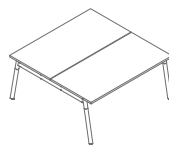
Bench desks *



BOW32
1200 / 1610 / 740
63 kg



BOW33
1400 / 1610 / 740
68.5 kg

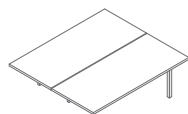


BOW34
1600 / 1610 / 740
77.1 kg

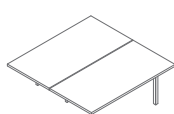


BOW35
1800 / 1610 / 740
86.1 kg

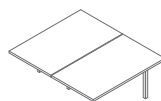
Elements for arrangement building - bench, natural wood *



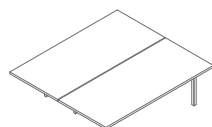
BOW422L
1200 / 1410 / 740
53.78 kg



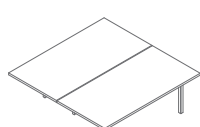
BOW442L
1400 / 1410 / 740
55.98 kg



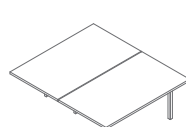
BOW462L
1600 / 1410 / 740
69.38 kg



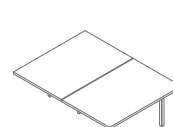
BOW322L
1200 / 1610 / 740
56.96 kg



BOW332L
1400 / 1610 / 740
62.46 kg

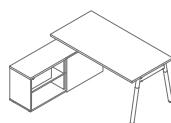


BOW342L
1600 / 1610 / 740
71.06 kg

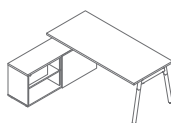


BOW352L
1800 / 1610 / 740
80.06 kg

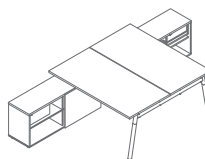
Desks with managerial storage *



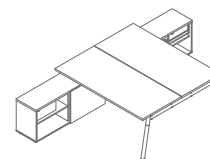
BOW20
1702-1600 / 1600 / 740
107.3 kg



BOW21
1902-1800 / 1600 / 740
110.2 kg



BOW40
1702-1600 / 3210 / 740
209.4 kg



BOW41
1902-1800 / 3210 / 740
218.4 kg

* dimensions expressed in millimeters: width x depth x height

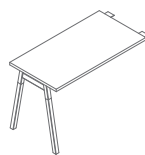
Desk extensions *



PLW01
600 / 800 / 740
15.05 kg



PLW02
600 / 1000 / 740
18.8 kg



PLW03
600 / 1200 / 740
19.4 kg

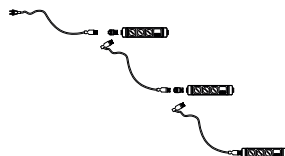
Power strip *



PWS1
500 / 430 / 569
1.1 kg



PWS2
500 / 430 / 569
1.6 kg



PWS3
500 / 430 / 569
2.1 kg

* dimensions expressed in millimeters: width x depth x height

Ogi W	Date of preparation 03.11.2022	The data contained in this document is valid in the day of its preparation. Change of the product, as long as it does not affect the basic features of it, does not require consistent updates of the document.	page 11/12
			products

Worktop, top, base, body, front



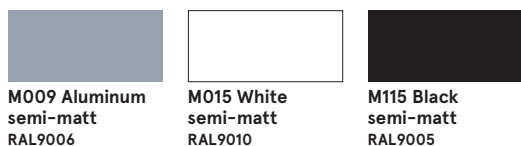
Base



Grommets



Accessories



* body - II group
 ** OPTION WITH EXTRA CHARGE - worktop edge, colour: ash natural
 *** the colour of desk legs may differ depending on natural wood ring pattern