

# Ogi N technical specification



.mdd

**MDD has a leading position among manufacturers of office furniture with many awards that prove quality and continuously increase demand for it's products.**

The realities of today`s market require constant quality improvement at all levels of modern organization. This applies in particular to customer service, marketing, quality of products and also to quality of processes within the company.

Partnership relations among employees and with business partners form a base of economic growth and success of the company.

Constant investments in innovative machinery park, optimization of management systems and an expansion of production halls allow to minimize the lead times for the product of the highest quality.

**More than twenty years of experience in office furniture industry come with reference from a long list of companies and institutions to show their appreciation for an efficient and comprehensive service.**

**MDD is highly aware of the environment.**

Being located in the forest region with lake by it's side, MDD takes the nature seriously and invests constantly in a modern and energy-efficient solutions to preserve the local life. Company puts emphasis on waste segregation and recycling. MDD has been awarded for the exceptional care and involvement in waste disposal. All materials used are environmentally friendly and enjoy a high 95 % rate of being recycled.



**General informations:**

**Warranty:**

MDD products – 5 years.

Electrical components and fabric – 2 years.

**Certificate - MFC:**



**Compliant with standards:**

PN-EN 527-2:2017-02

**Boards density:**

12 mm - 690 - 750 kg/m<sup>3</sup>

18 mm - 650 - 690 kg/m<sup>3</sup>

28 mm - 610 - 630 kg/m<sup>3</sup>

36 mm - 610 - 630 kg/m<sup>3</sup>

**Assembly:**

product delivered in separate elements

**Packing:**

cardboard

Ogi N	Date of preparation 07.09.2020	The data contained in this document is valid in the day of its preparation. Change of the product, as long as it does not affect the basic features of it, does not require consistent updates of the document.	page 2/6 <b>general informations</b>
-------	-----------------------------------	---	---

Ogi desk worktops

1. **Worktop** - MFC 28 mm, ABS edge

**OPTIONS WITH EXTRA CHARGE:**

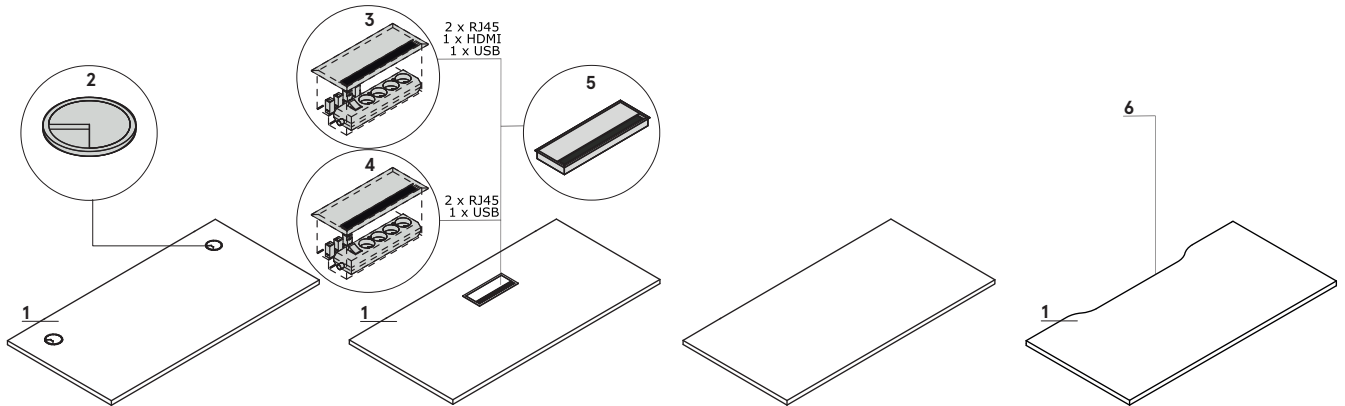
2. **Grommet** - 2 pcs, Ø 80 mm

3. **Mediabox M04H** - 2xRJ45 (class E, cat. 6); +1 x USB + 1 x HDMI + 4x 230V, colour: M009 - aluminium semi-matt

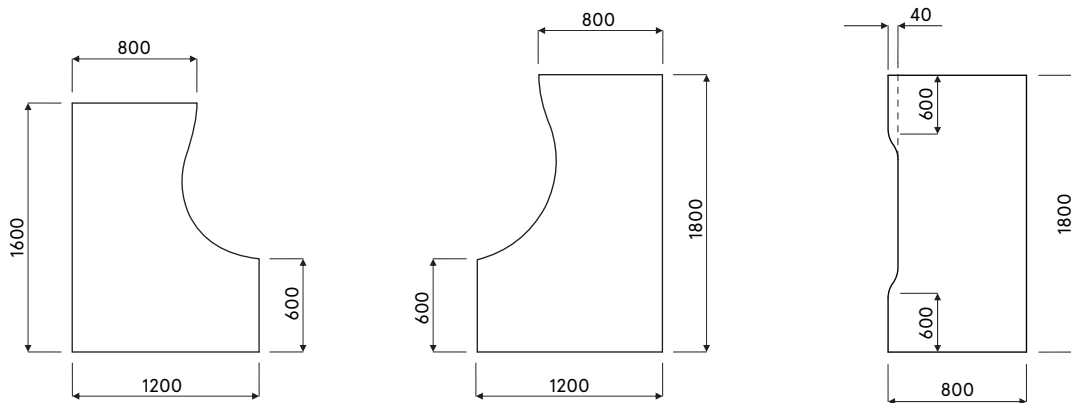
4. **Mediabox M04** - 2xRJ45 (class E, cat. 6); +1 x USB + 4x 230V, colour: M009 - aluminium semi-matt

5. **Top access M05** - colour: M009 - aluminium semi-matt

6. **Cable way** - in bench type desks, the width of the opening is proportional to the width of the worktop

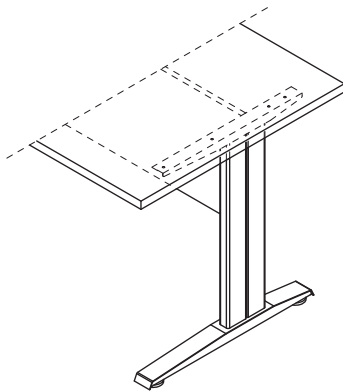


Dimensions of the worktop with scallops (mm)



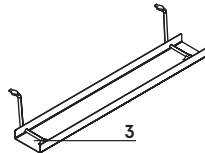
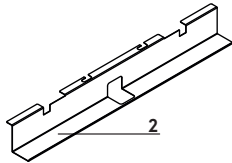
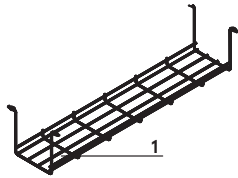
## Frame

Ogi N: powder coated metal, column 642x149x36 mm, foot 647x60 mm, vertical cable management, modesty panel - MFC 18 mm



## Accessories

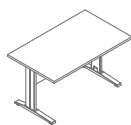
1. Horizontal cable tray S69 - powder coated, colour: 09 - aluminum
2. Single desk horizontal cable tray (SG12, SG16) - powder coated metal, colour: M009 - aluminum semi-matt
3. Horizontal cable tray E64 - powder coated, colour: M009 - aluminium semi-matt



## Desks



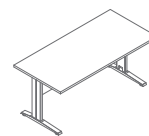
**BNG02**  
1200 / 800 / 740  
32.6 kg



**BNG03**  
1400 / 800 / 740  
36.9 kg



**BNG04**  
1600 / 800 / 740  
41.8 kg



**BNG05**  
1800 / 800 / 740  
45.2 kg

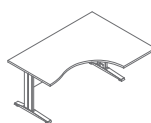
## Radial desks



**BNG10**  
1600 / 1200 / 740  
45.8 kg



**BNG17**  
1800 / 1200 / 740  
52.8 kg



**BNG11**  
1600 / 1200 / 740  
45.8 kg

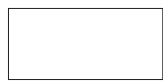


**BNG18**  
1800 / 1200 / 740  
52.8 kg

**Worktop**



14 Beech \*      26 Aluminum satinato      31 Canadian oak \*      39 Polar birch \*



67 White pastel

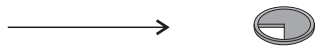


34 Chestnut \*      64 Coco \*      106 Lowland walnut \*      154 Anthracite

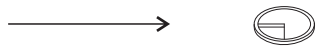


08 Black      167 Grey oak      168 Natural oak

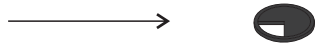
**Grommet**



Aluminum



White



Black

**Frame - metal**



M009 Aluminum semi-matt RAL9006      M015 White semi-matt RAL9010      M154 Antracite semi-matt RAL7043      M115 Black semi-matt RAL9005

\* body - II group