

# Meeting tables - Ogi A technical specification



.mdd

**MDD has a leading position among manufacturers of office furniture with many awards that prove quality and continuously increase demand for its products.**

The realities of today's market require constant quality improvement at all levels of modern organization. This applies in particular to customer service, marketing, quality of products and also to quality of processes within the company. Partnership relations among employees and with business partners form a base of economic growth and success of the company.

Constant investments in innovative machinery park, optimization of management systems and an expansion of production halls allow to minimize the lead times for the product of the highest quality.

**More than twenty years of experience in office furniture industry come with reference from a long list of companies and institutions to show their appreciation for an efficient and comprehensive service.**

**MDD is highly aware of the environment.**

Being located in the forest region with lake by its side, MDD takes the nature seriously and invests constantly in a modern and energy-efficient solutions to preserve the local life. Company puts emphasis on waste segregation and recycling. MDD has been awarded for the exceptional care and involvement in waste disposal. All materials used are environmentally friendly and enjoy a high 95 % rate of being recycled.



**General informations:**

**Warranty:**

MDD products - **5 years.**

Electrical components and fabric - **2 years.**

**Certificate - MFC:**



**Compliant with standards:**

PN-EN 15372:2010

**Boards density:**

12 mm - 690 - 750 kg/m<sup>3</sup>

18 mm - 650 - 690 kg/m<sup>3</sup>

28 mm - 610 - 630 kg/m<sup>3</sup>

36 mm - 610 - 630 kg/m<sup>3</sup>

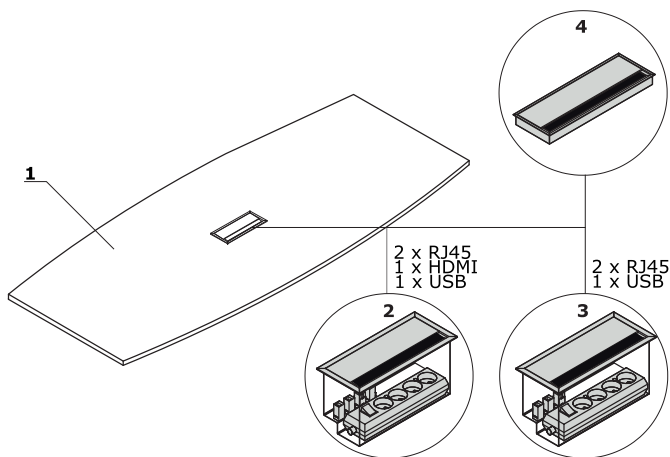
**Assembly:**

product delivered in separate elements

**Packing:**

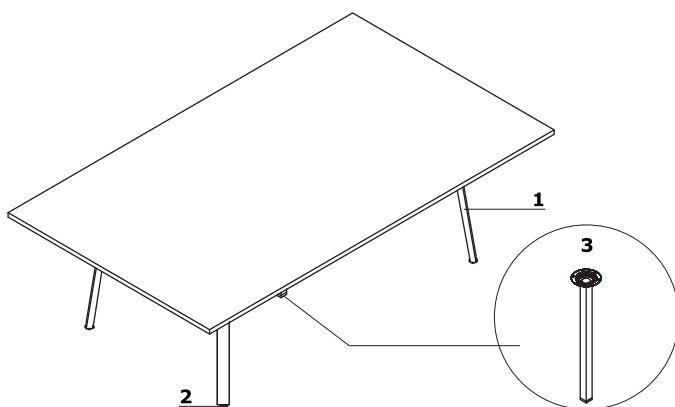
cartboard, perforated plastic mesh wrap

**Worktop**



1. **Worktop** - MFC 28 mm, ABS edge  
**OPTIONS WITH EXTRA CHARGE:**
2. **Mediabox M04H** - 2xRJ45 (class E, cat. 6); +1 x USB + 1 x HDMI + 4x 230V, colour: M009 - aluminium semi-matt
3. **Mediabox M04** - 2xRJ45 (class E, cat. 6); +1 x USB + 4x 230V, colour: M009 - aluminium semi-matt
4. **Top access M05** - colour: M009 - aluminium semi-matt

**Frame - meeting tables Ogi A**



1. **Leg** - powder coated steel, profile 60x30 mm
2. **Leveling** - 5 mm range
3. **Supporting leg NG41** - powder coated steel

Meeting tables - Ogi A \*



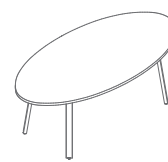
**PLF80**  
800 / 800 / 740  
17 kg



**PLF10**  
1000 / 1000 / 740  
24 kg



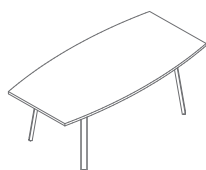
**PLF11**  
1200 / 1200 / 740  
28 kg



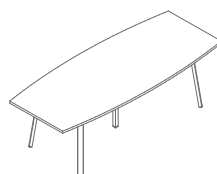
**PLF12E**  
2000 / 1000 / 740  
42 kg



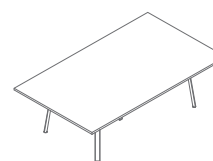
**PLF81**  
800 / 800 / 740  
20 kg



**PLF12P**  
2000 / 800-1000 / 740  
43 kg



**PLF24**  
2400 / 800-1000 / 740  
50 kg



**PLF25**  
2400 / 1400 / 740  
73 kg



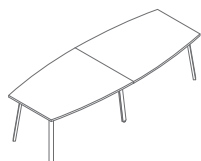
**PLF14P**  
1400 / 800-1100 / 740  
41.7 kg



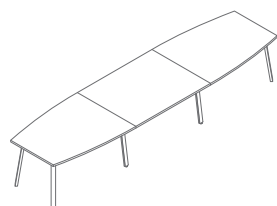
**PLF14S**  
1400 / 1100 / 740  
39.9 kg



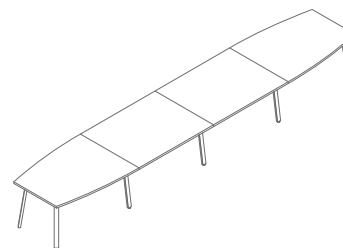
**PLF14L**  
1400 / 800-1100 / 740  
30.2 kg



**PLF18**  
2000 / 1100-800 / 740  
71.9 kg



**PLF19**  
4200 / 1100\*800 / 740  
111.8 kg



**PLF20**  
5600 / 1100-800 / 740  
151.7 kg

\* dimensions expressed in millimeters: width x depth x height

Meeting tables - Ogi A	Date of preparation 08.09.2020	The data contained in this document is valid in the day of its preparation. Change of the product, as long as it does not affect the basic features of it, does not require consistent updates of the document.	page 4/6
			products

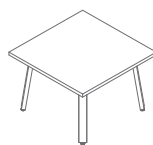
Low tables - Ogi A \*



**PLF82**  
800 / 800 / 550  
15.5 kg



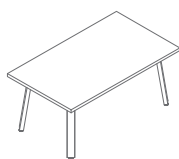
**PLF60**  
600 / 600 / 550  
11 kg



**PLF83**  
800 / 800 / 550  
18 kg



**PLF61**  
600 / 600 / 550  
13 kg



**PLF17**  
1200 / 700 / 550  
21.5 kg

\* dimensions expressed in millimeters: width x depth x height

Meeting tables - Ogi A	Date of preparation 08.09.2020	The data contained in this document is valid in the day of its preparation. Change of the product, as long as it does not affect the basic features of it, does not require consistent updates of the document.	page 5/6
			products

Top



Frame

