

# Meeting tables - disc base technical specification



.mdd

**MDD has a leading position among manufacturers of office furniture with many awards that prove quality and continuously increase demand for it's products.**

The realities of today`s market require constant quality improvement at all levels of modern organization. This applies in particular to customer service, marketing, quality of products and also to quality of processes within the company. Partnership relations among employees and with business partners form a base of economic growth and success of the company.

Constant investments in innovative machinery park, optimization of management systems and an expansion of production halls allow to minimize the lead times for the product of the highest quality.

**More than twenty years of experience in office furniture industry come with reference from a long list of companies and institutions to show their appreciation for an efficient and comprehensive service.**

**MDD is highly aware of the environment.**

Being located in the forest region with lake by it's side, MDD takes the nature seriously and invests constantly in a modern and energy-efficient solutions to preserve the local life. Company puts emphasis on waste segregation and recycling. MDD has been awarded for the exceptional care and involvement in waste disposal. All materials used are environmentally friendly and enjoy a high 95 % rate of being recycled.



**General informations:**

**Warranty:**

MDD products - **5 years.**  
Electrical components and fabric - **2 years.**

**Boards density:**

12 mm - 690 - 750 kg/m<sup>3</sup>  
18 mm - 650 - 690 kg/m<sup>3</sup>  
28 mm - 610 - 630 kg/m<sup>3</sup>  
36 mm - 610 - 630 kg/m<sup>3</sup>

**Certificate - MFC:**



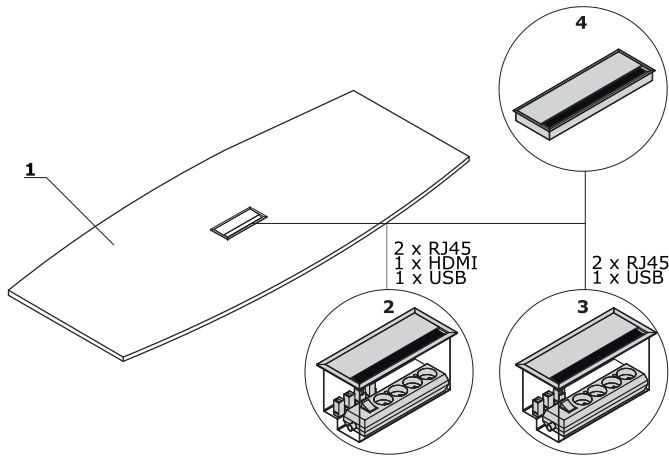
**Assembly:**

product delivered in separate elements

**Packing:**

cartboard, perforated plastic mesh wrap

**Worktop**



1. **Worktop** - MFC 28 mm, ABS edge

**OPTIONS WITH EXTRA CHARGE:**

2. **Mediabox M04H** - 2xRJ45 (class E, cat. 6); +1 x USB + 1 x HDMI + 4x 230V, colour: M009 - aluminium semi-matt

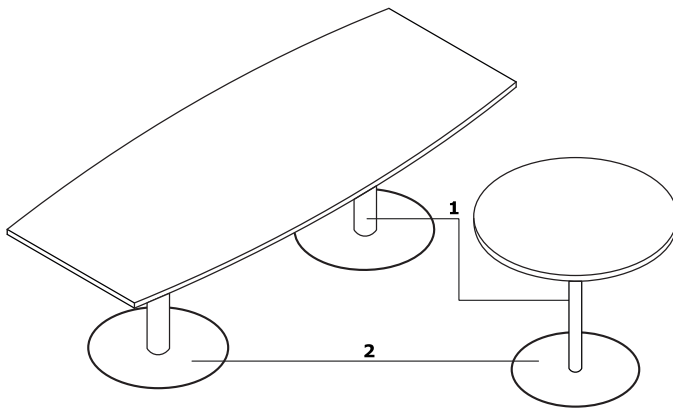
3. **Mediabox M04** - 2xRJ45 (class E, cat. 6); +1 x USB + 4x 230V, colour: M009 - aluminium semi-matt

4. **Top access M05** - colour: M009 - aluminium semi-matt

**Frame - disc base meeting tables**

1. **Column** - powder coated steel

2. **Disc** - stainless steel



Meeting tables - disc base \*



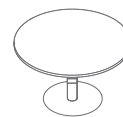
**ST06**  
650 / 1000 / 730  
40 kg



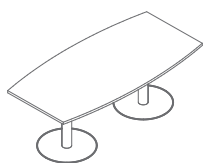
**ST08**  
800 / 800 / 730  
32 kg



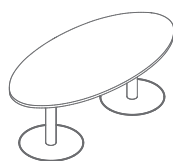
**ST10**  
1000 / 1000 / 730  
45 kg



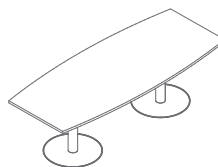
**ST12**  
1200 / 1200 / 730  
55 kg



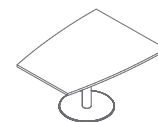
**ST12P**  
2000 / 800-1000 / 730  
93 kg



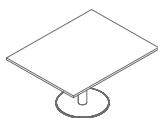
**ST12E**  
2000 / 1000 / 730  
92 kg



**ST24**  
2400 / 800-1000 / 730  
98 kg



**ST14**  
1400 / 800-1100 / 730  
55.4 kg



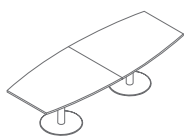
**ST14S**  
1400 / 1100 / 730  
57.6 kg



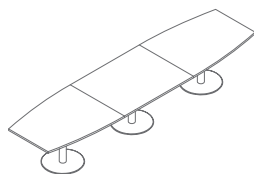
**PS80**  
800 / 800 / 1100  
23 kg



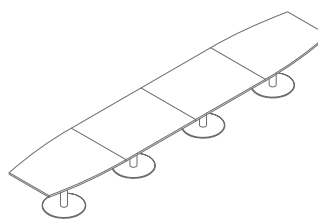
**PS2**  
550 / 550 / 643  
14 kg



**ST15**  
2800 / 1100-800 / 730  
110.8 kg



**ST16**  
4200 / 1100-800 / 730  
168.4 kg



**ST17**  
5600 / 1100-800 / 730  
226 kg

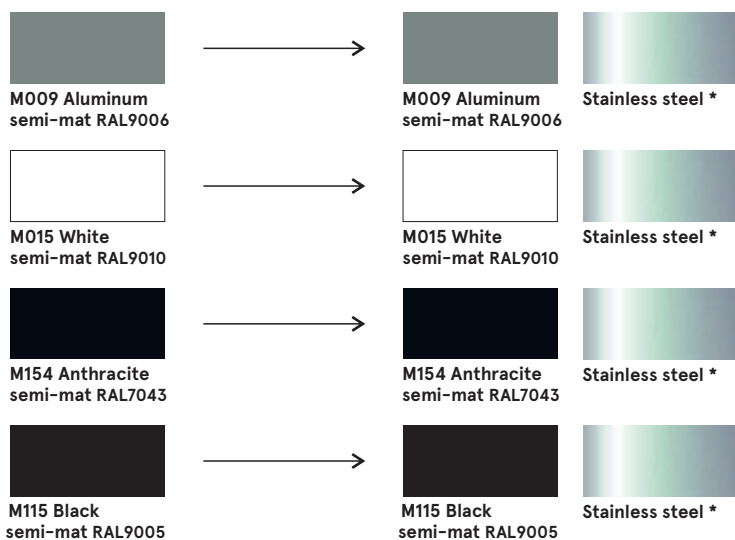
\* dimensions expressed in millimeters: width x depth x height

Top



Frame

Disc base



\* option with extra charge