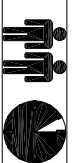
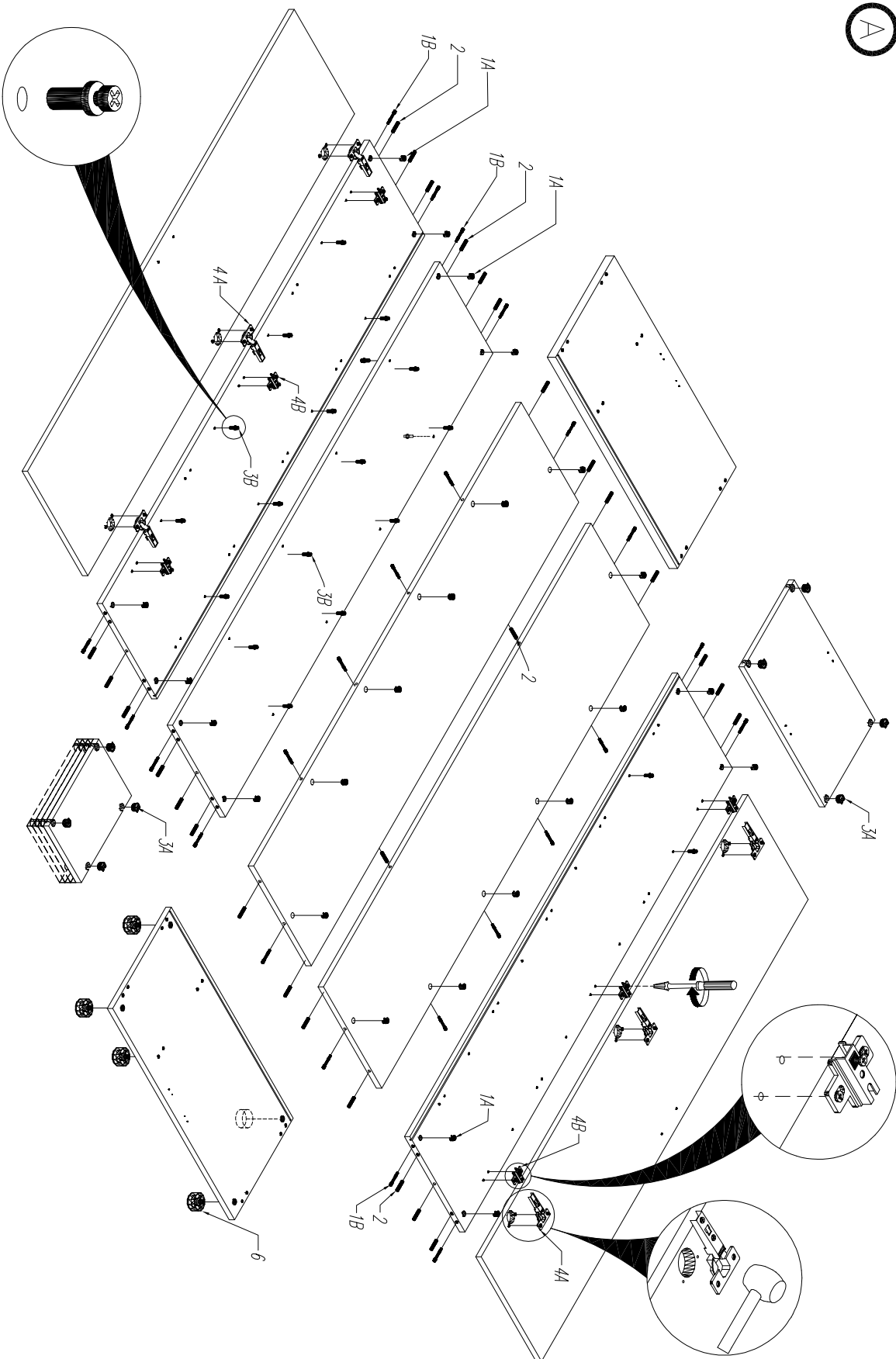


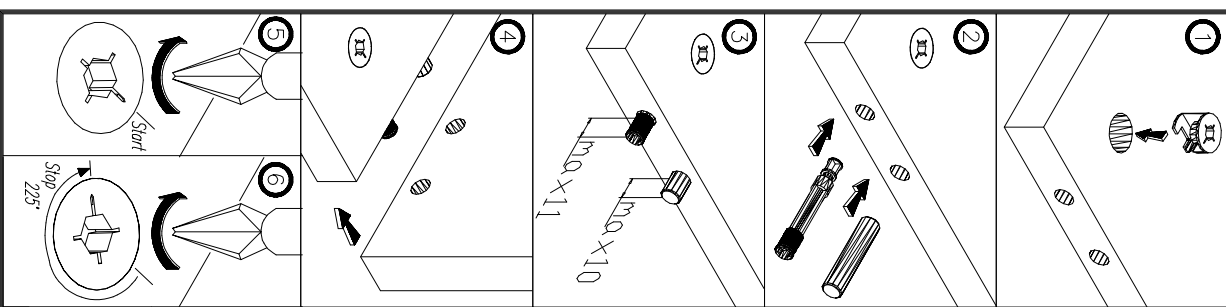
- | | | |
|---|--|-----|
| 1 | | x26 |
| 2 | | x23 |
| 3 | | x12 |
| 4 | | x8 |
| 6 | | x6 |
| 7 | | x1 |

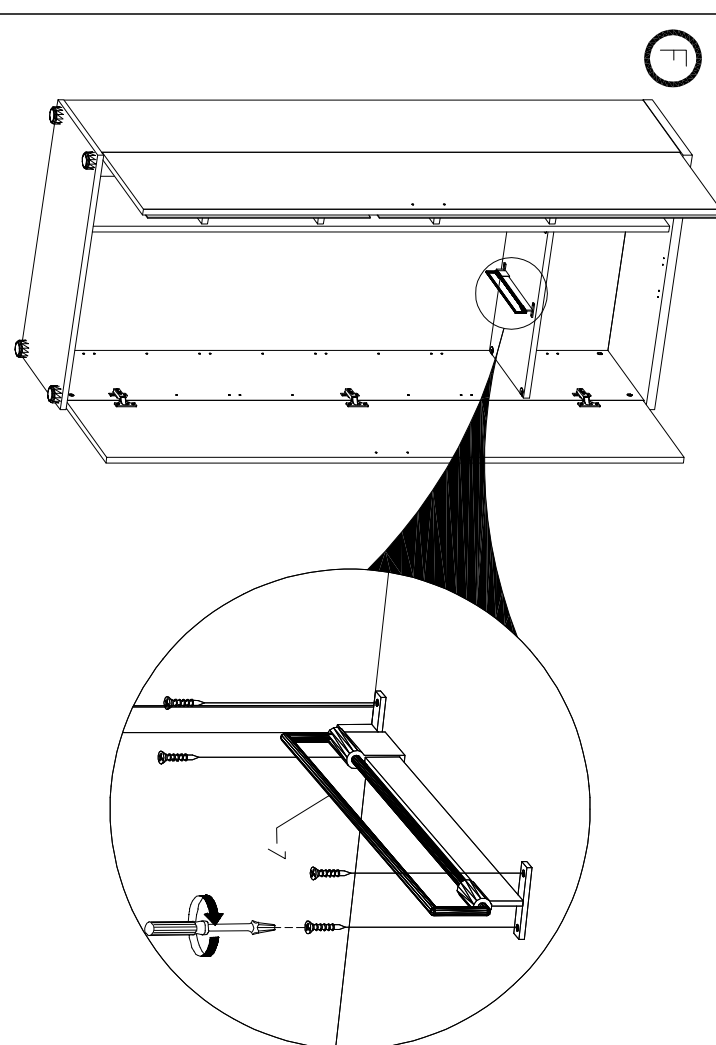
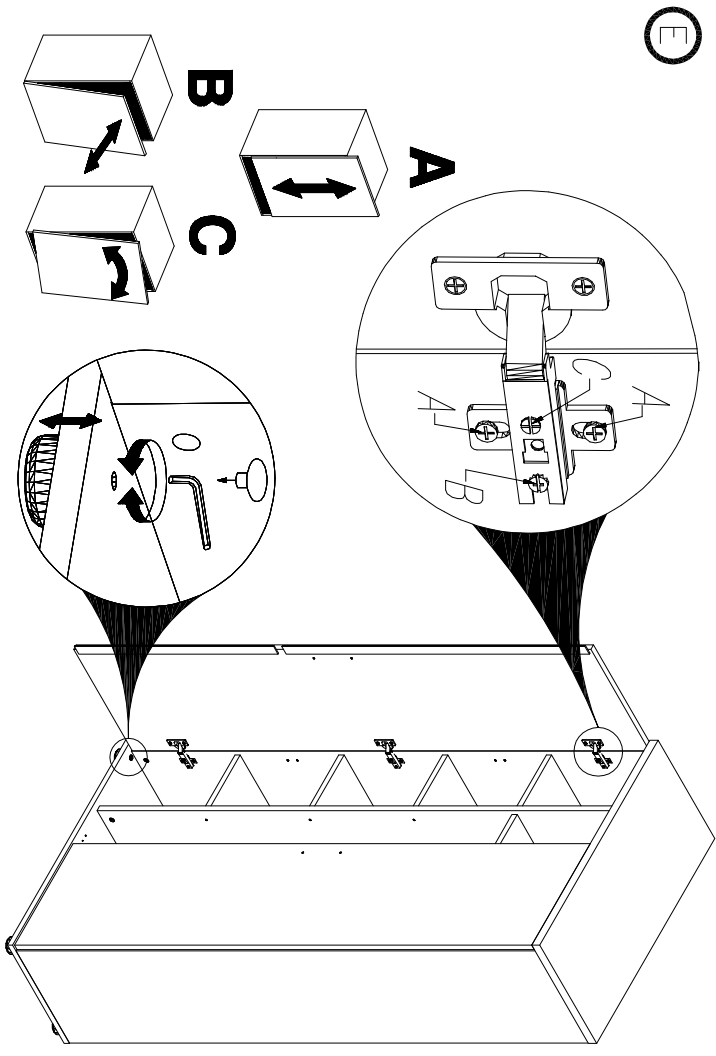
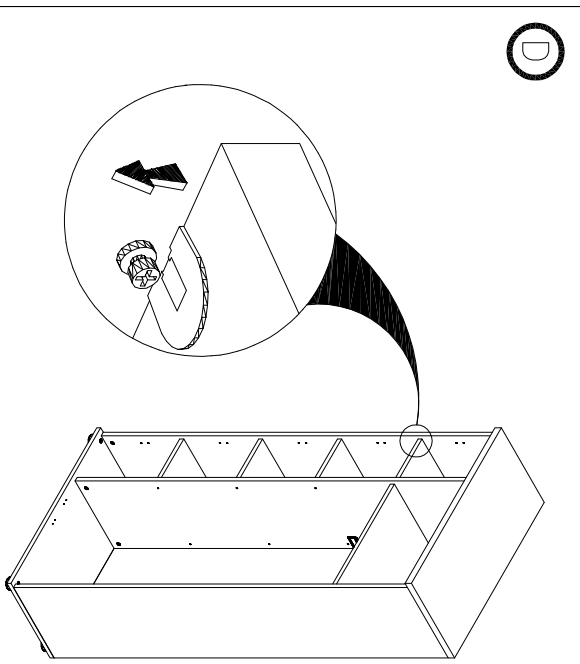
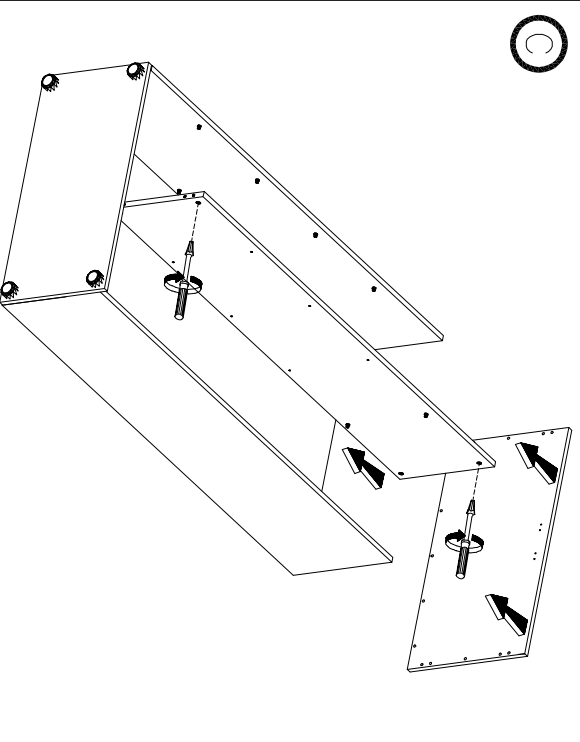
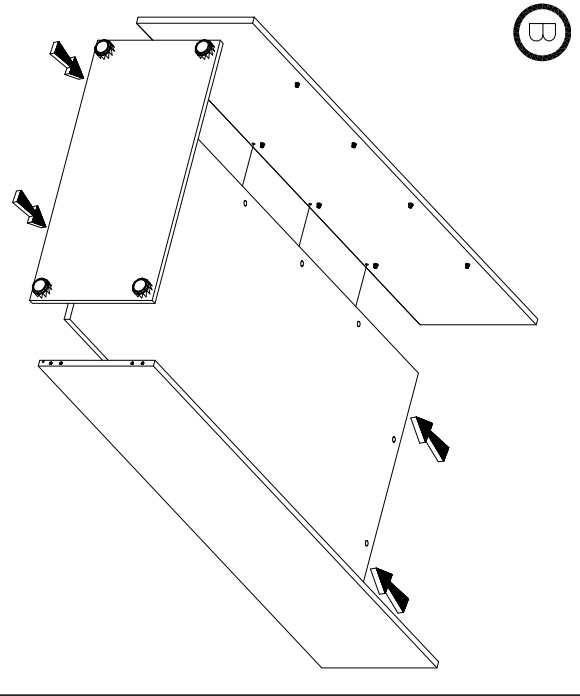
(A)

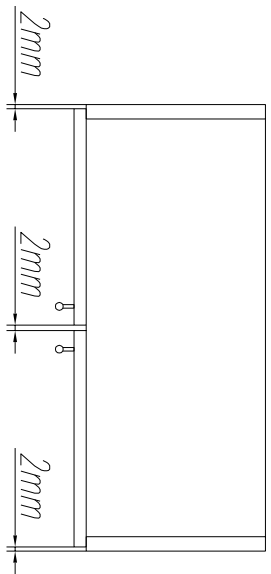
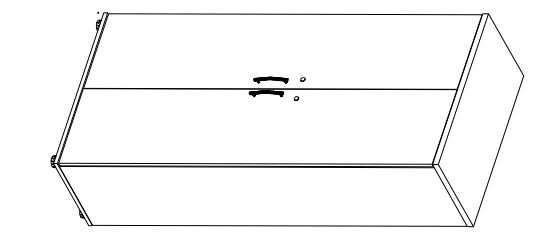
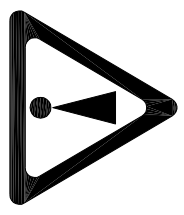
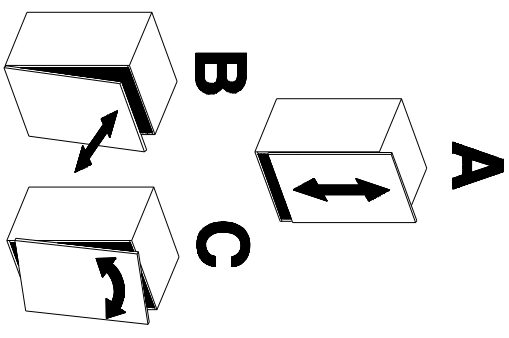
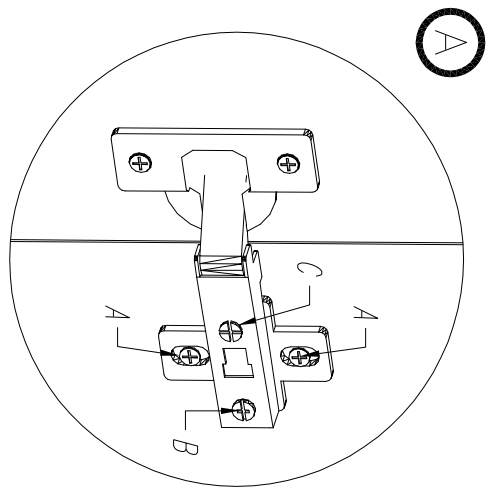
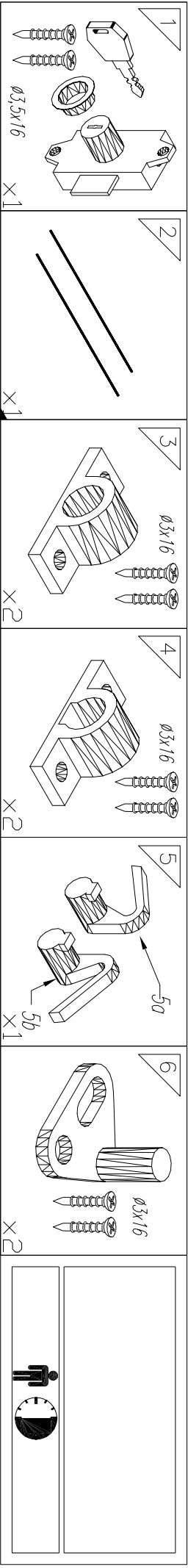


MIT8

KOLENOŠĆ MONTAŽU
MIMOSRODOW I KOLKOW.
THE FITTINGS SEQUENCE OF THE
CAMS AND DOWELS.
DIE MONTAGEFOLGE VON
EXZENTERN UND DÜBELN.







B

