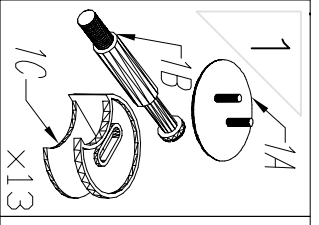
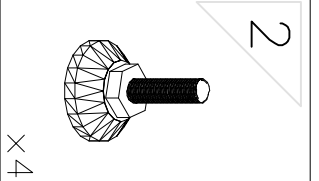
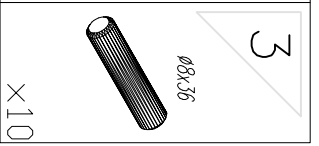
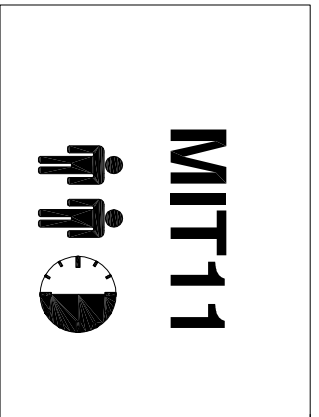
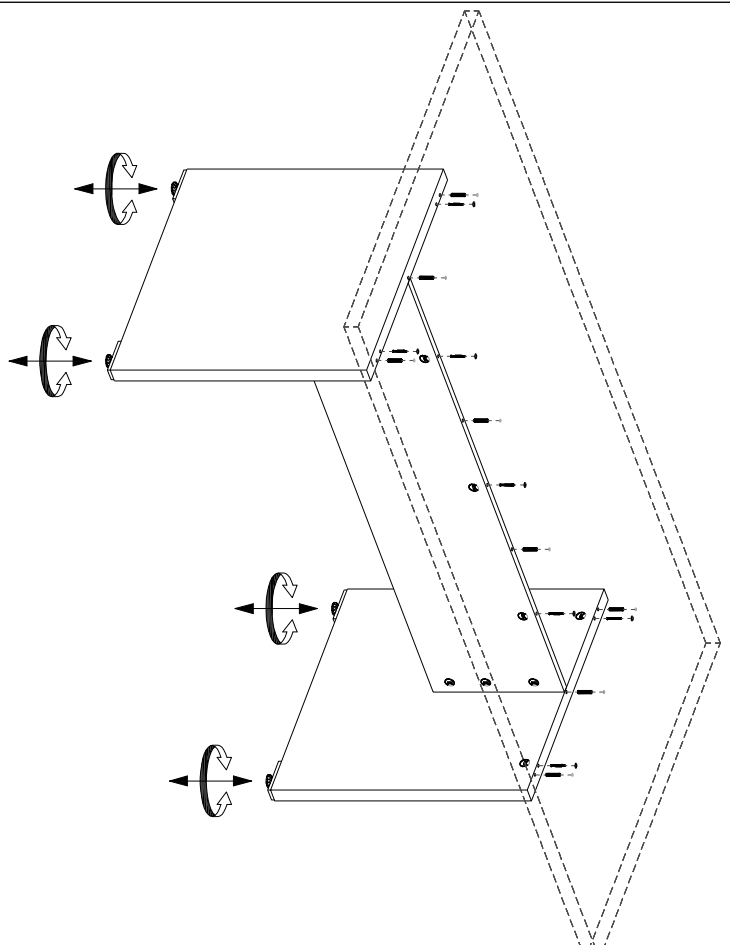
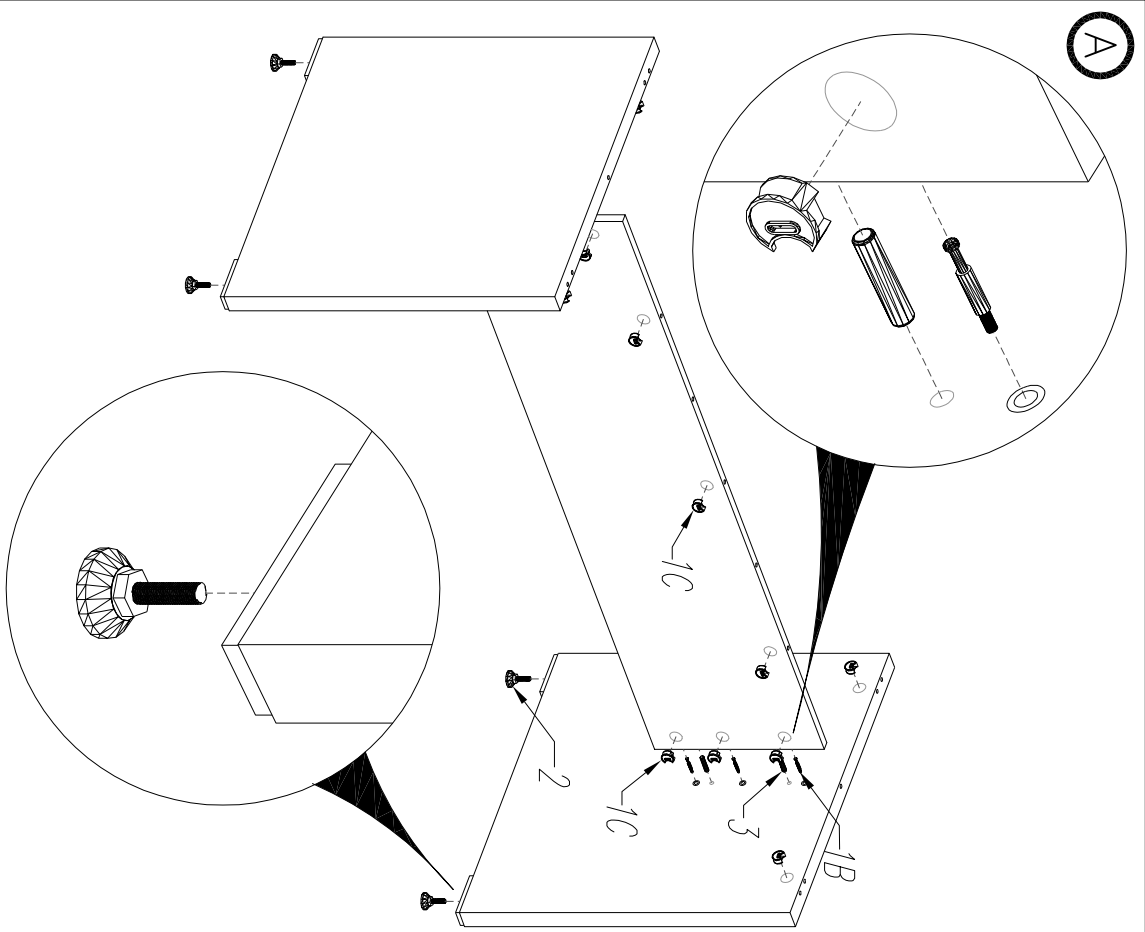
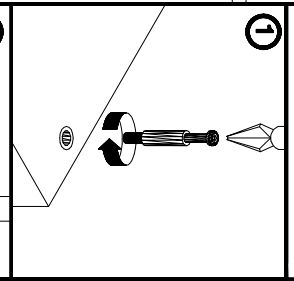
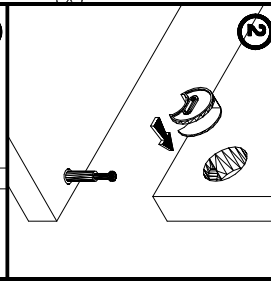
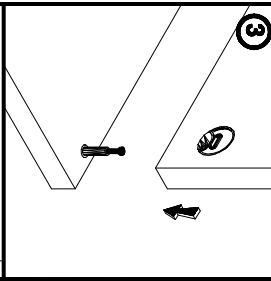
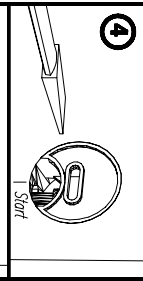
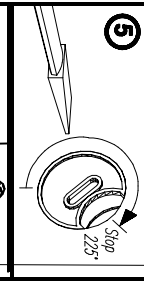


- | | |
|---|---|
| 1 |  |
| 2 |  |
| 3 |  |
- 1A
1B
1C
×13
- ×4
- ø8x36
×10



KOLEMANOŠ MONTAZU
MIMOSRODOWI.
THE FITTINGS SEQUENCE OF THE
CAM.
DIE MONTAGEABFOLGE VON
EXZENTERN!

- | | |
|---|--|
| 1 |  |
| 2 |  |
| 3 |  |
| 4 |  |
| 5 |  |
- Start
- Stop 2/5