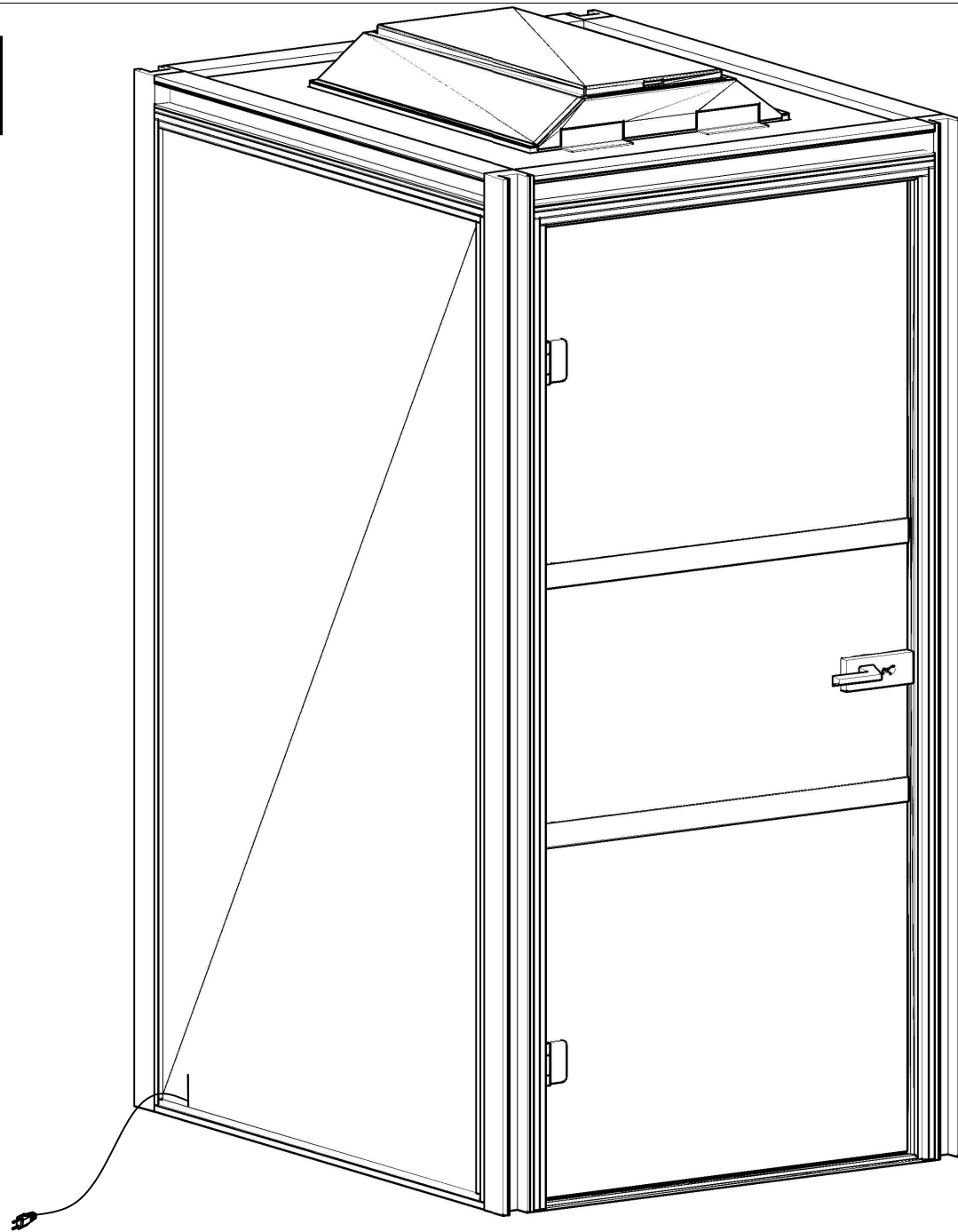
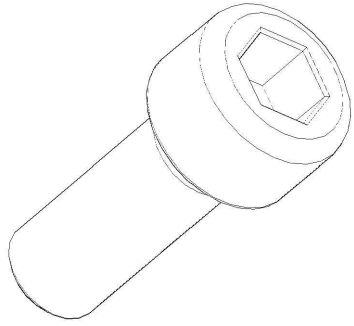


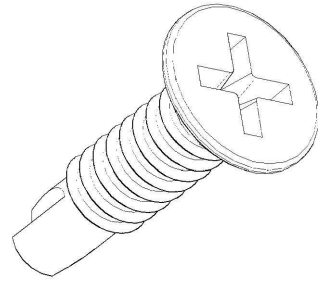
HK01

.mdd

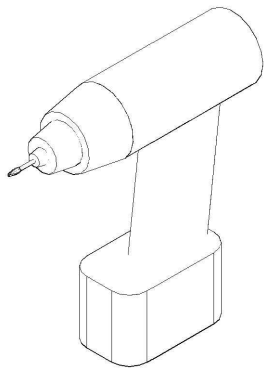
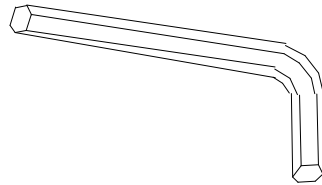




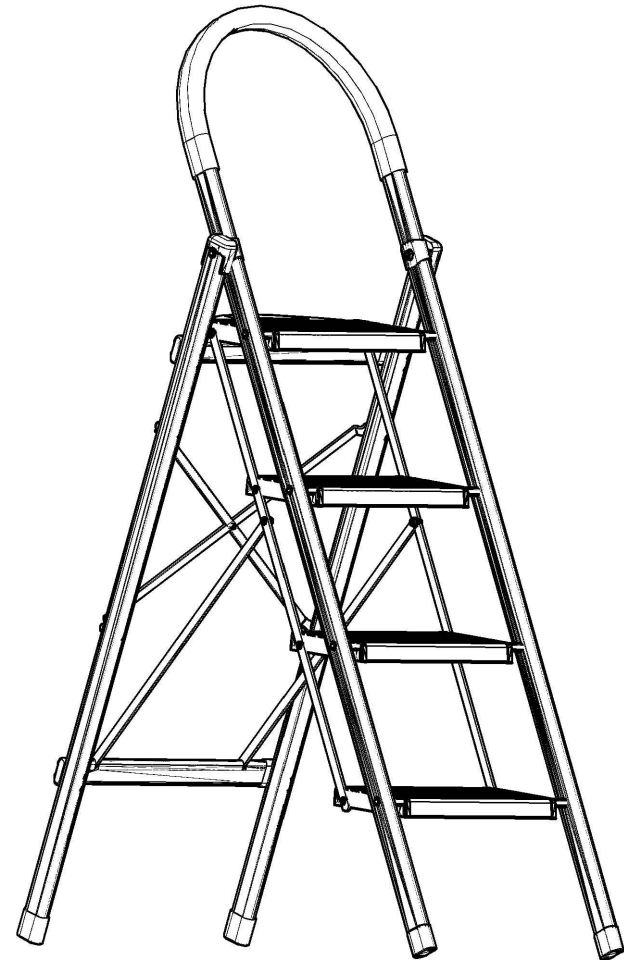
M6x16

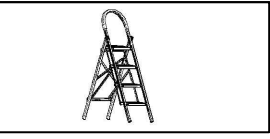
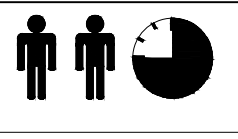
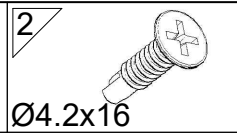
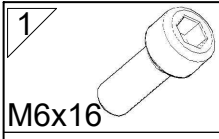


Ø4.2x16



MIN 1,5M

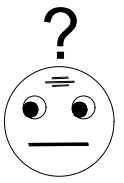




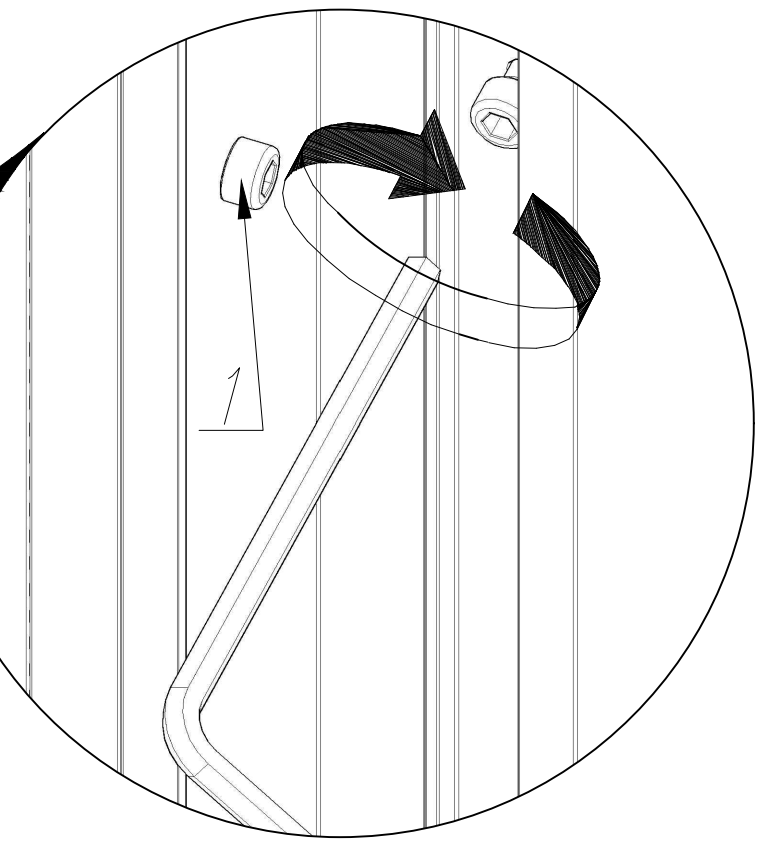
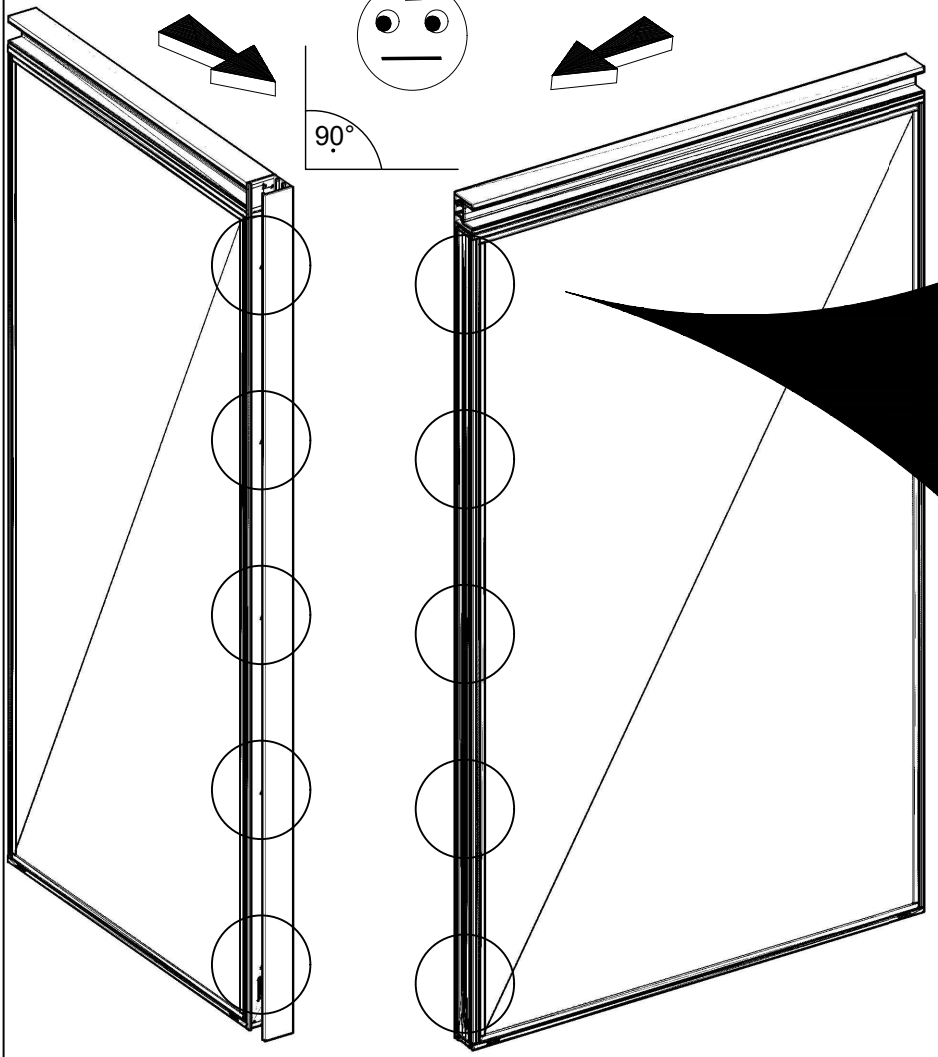
HK01

A

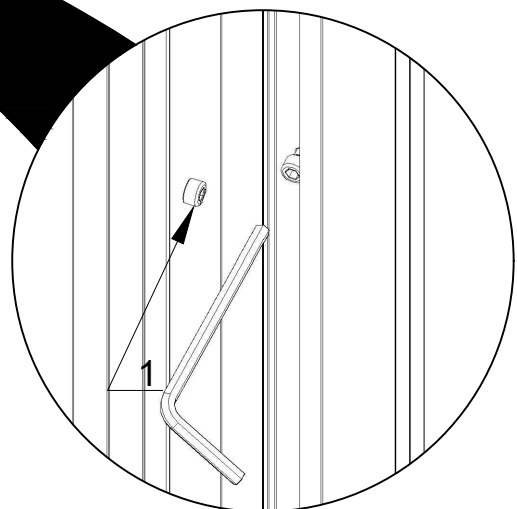
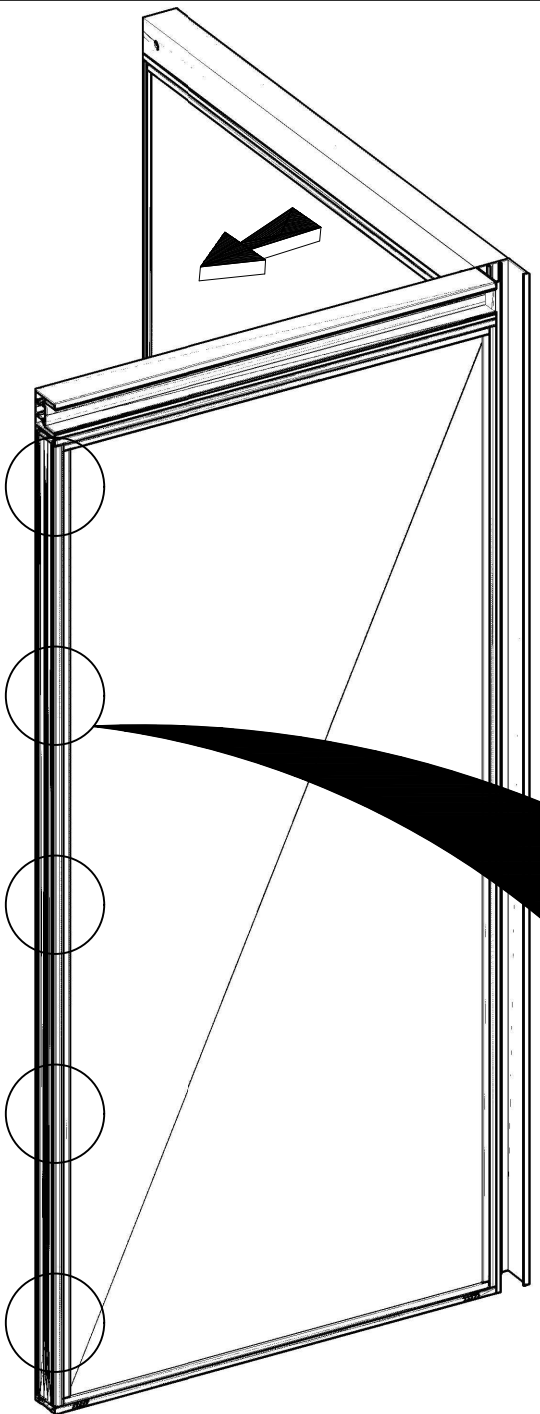
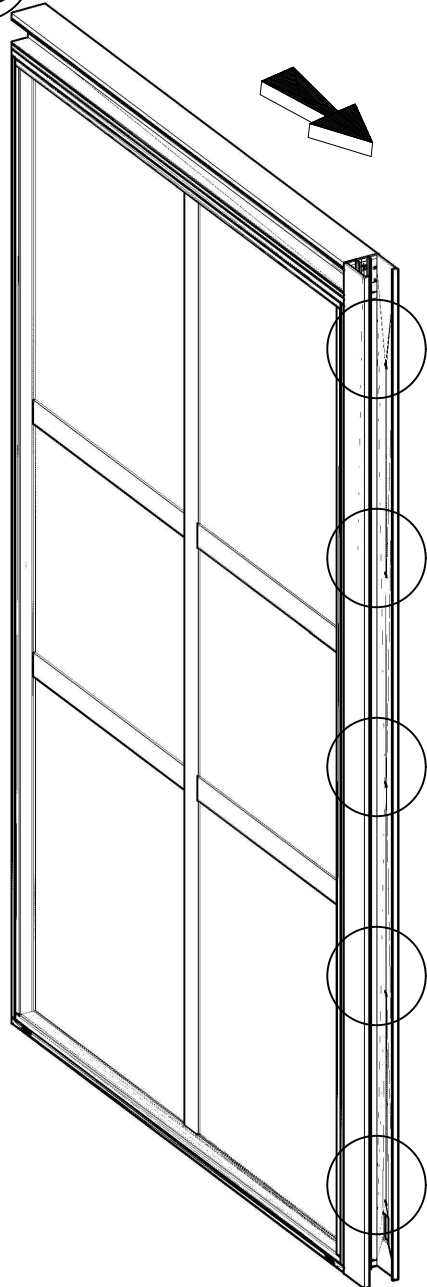
1



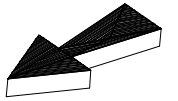
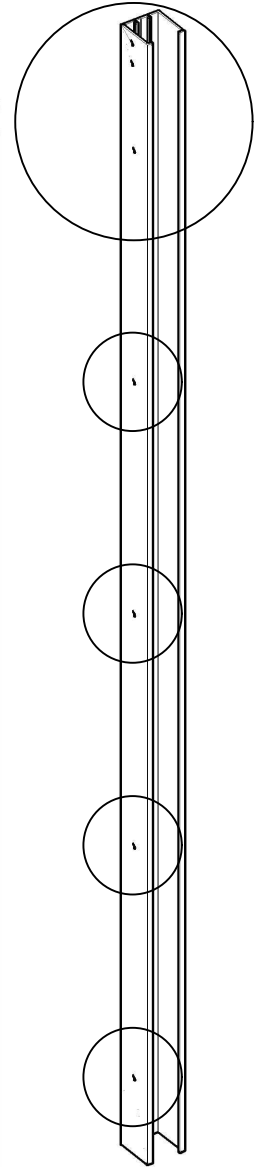
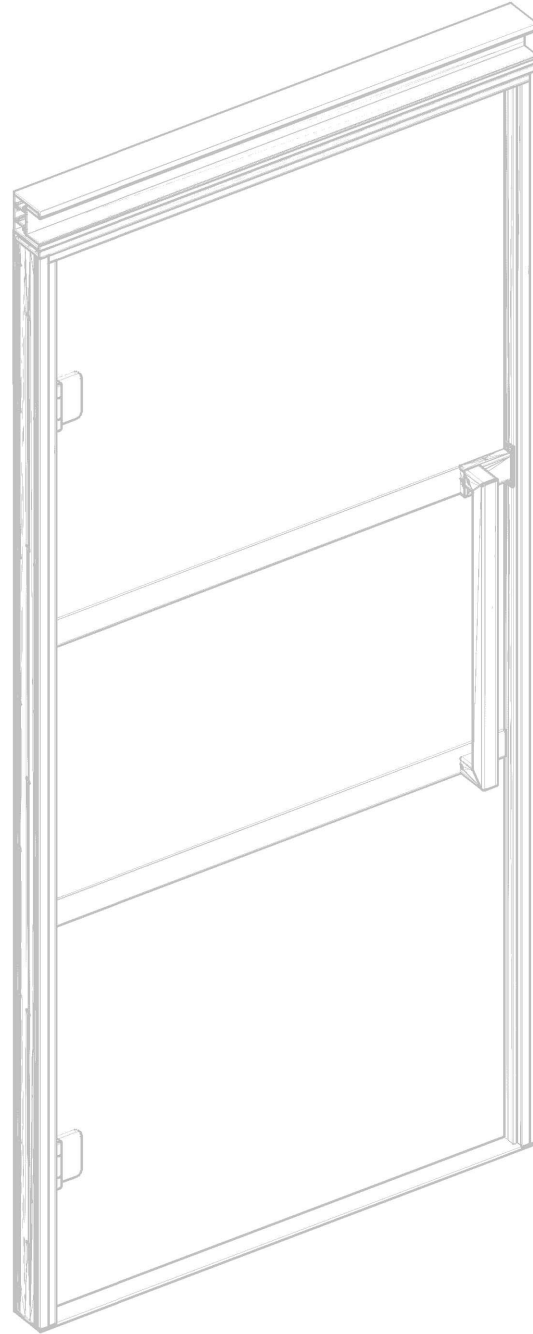
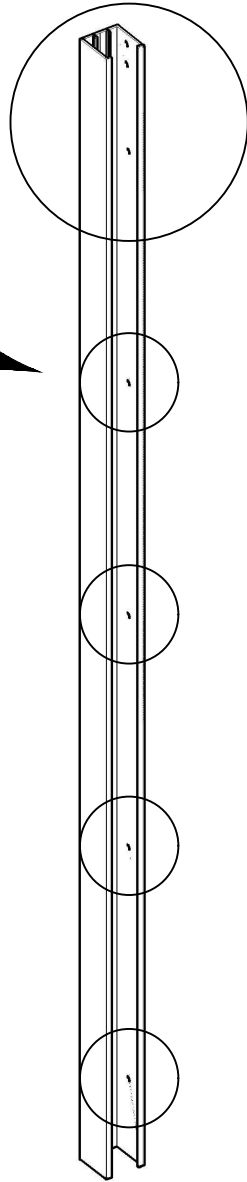
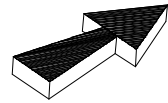
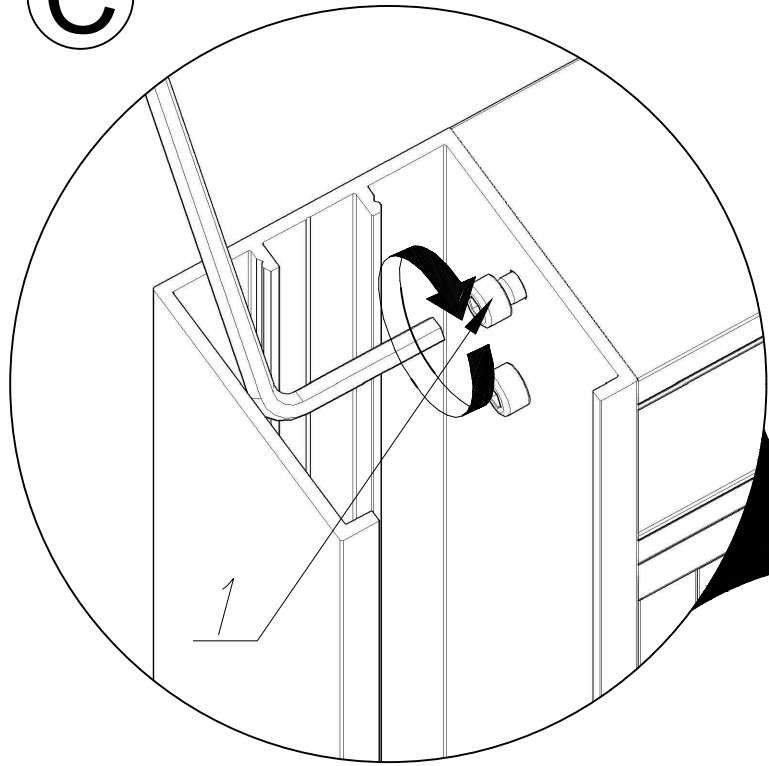
2



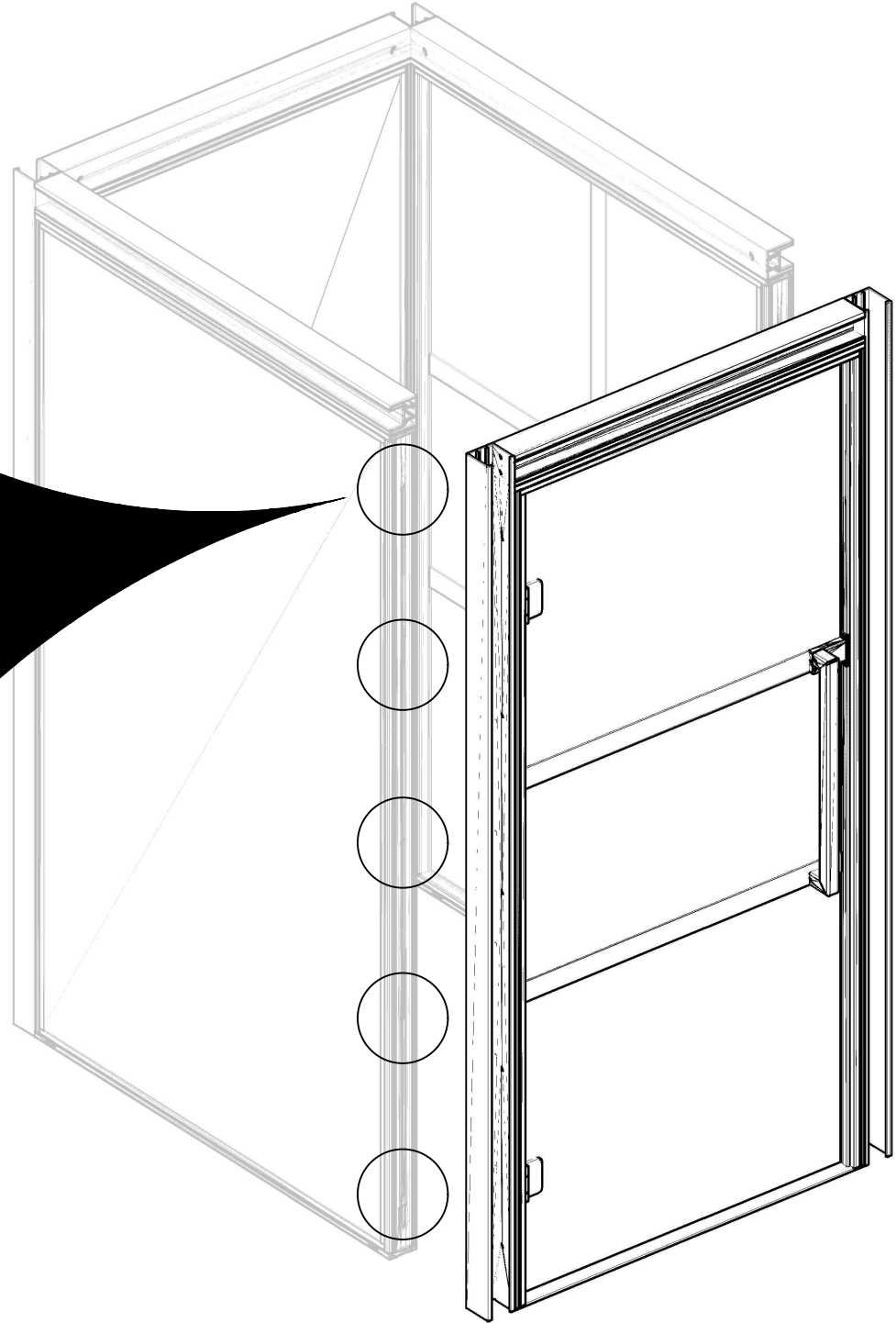
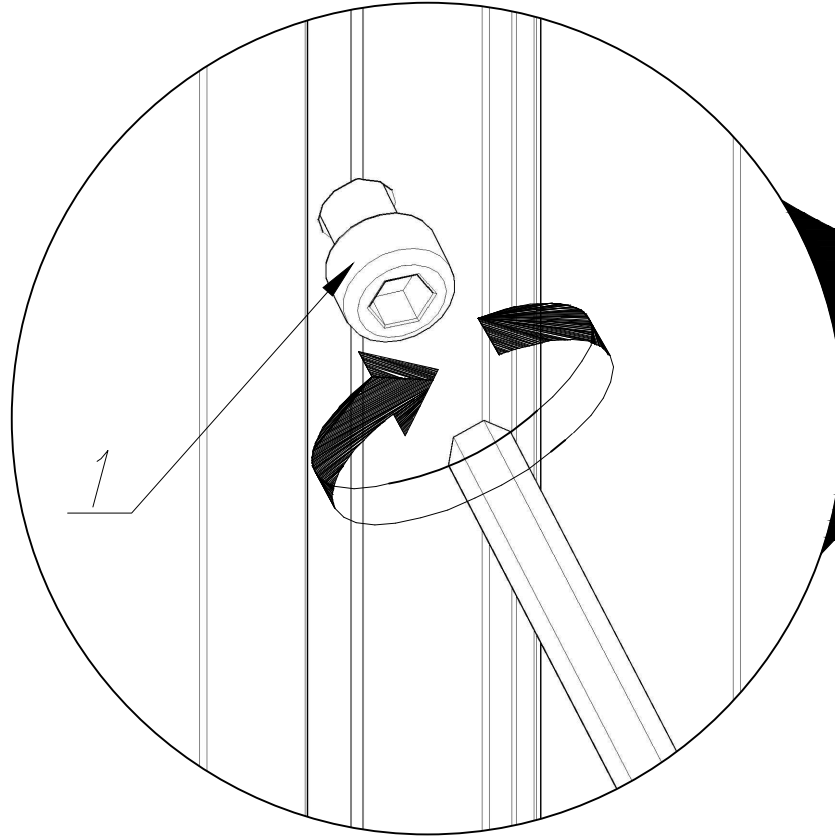
B



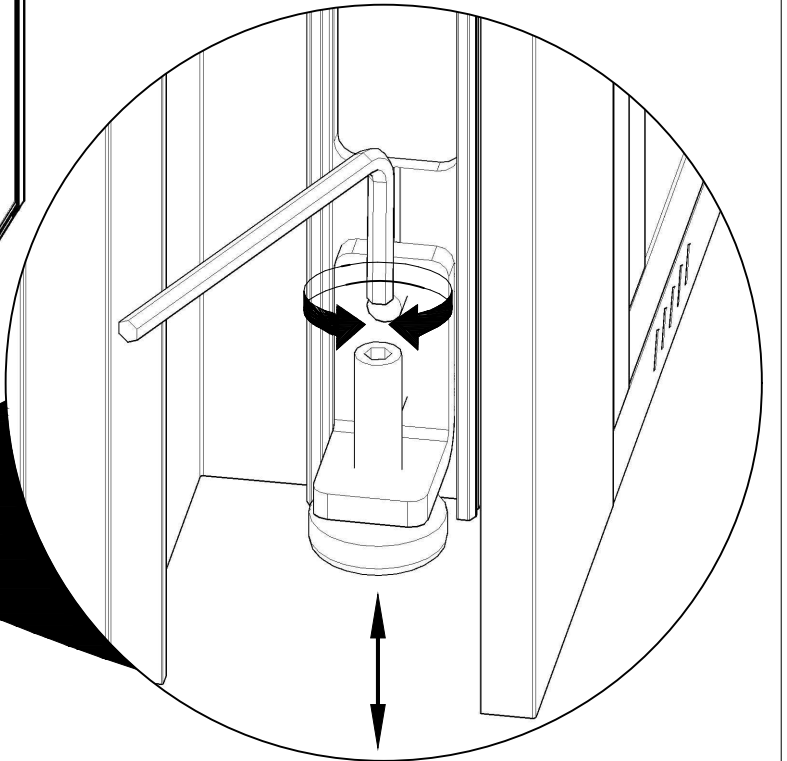
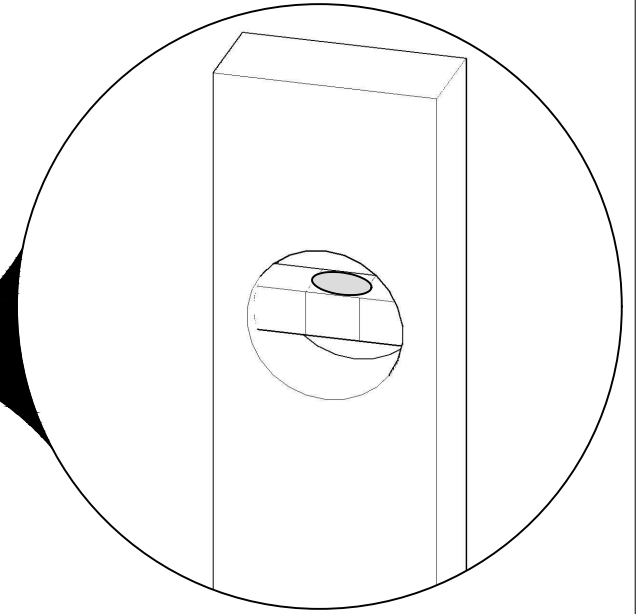
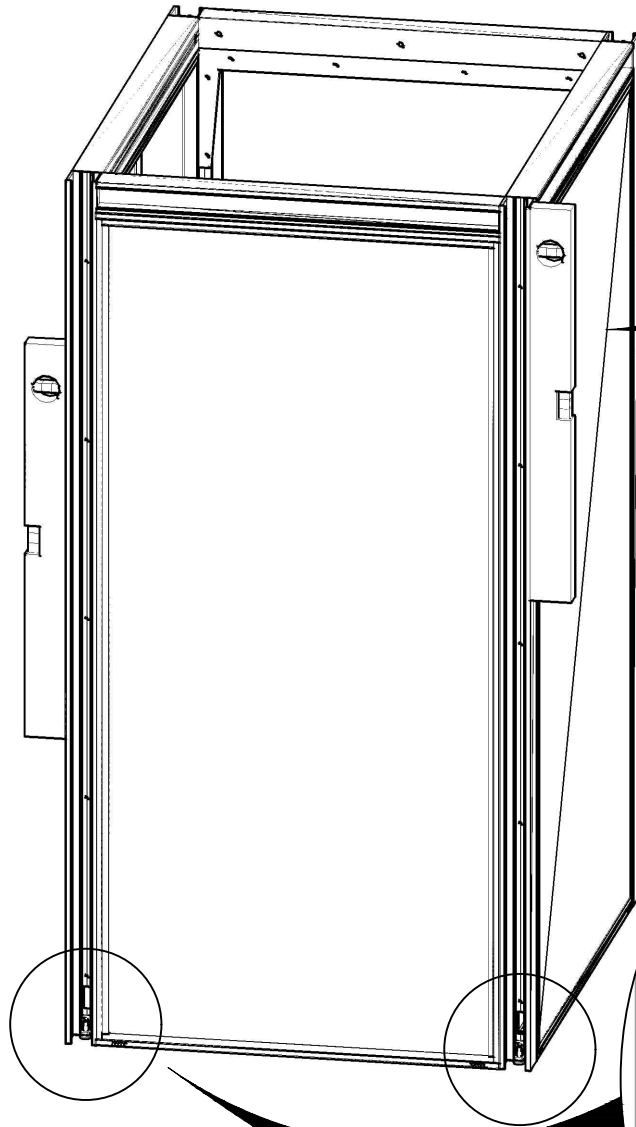
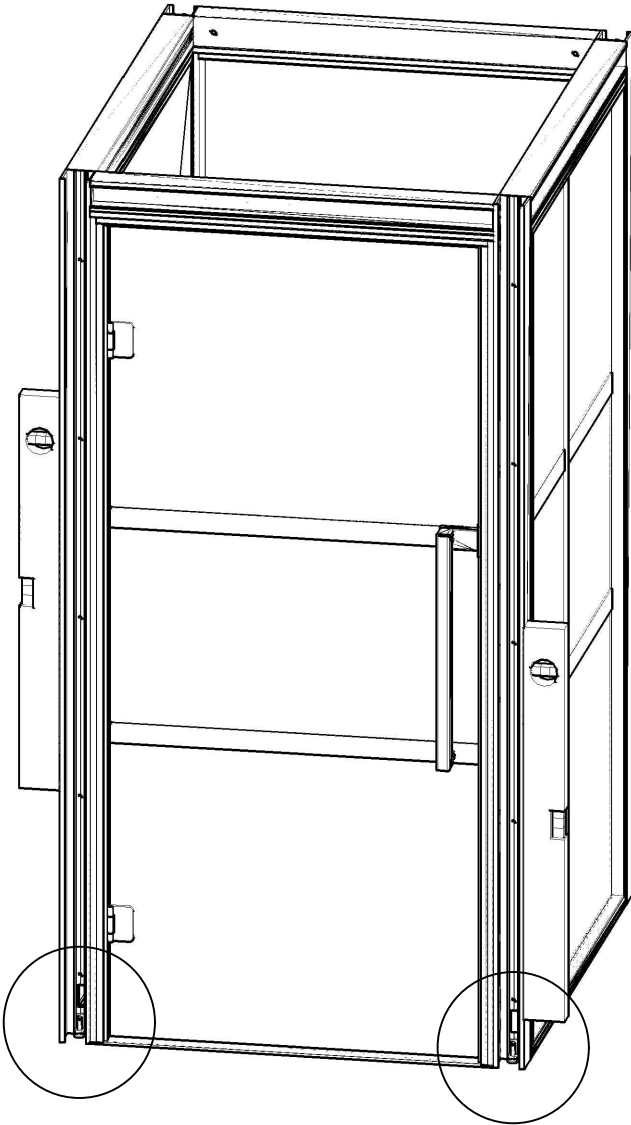
C



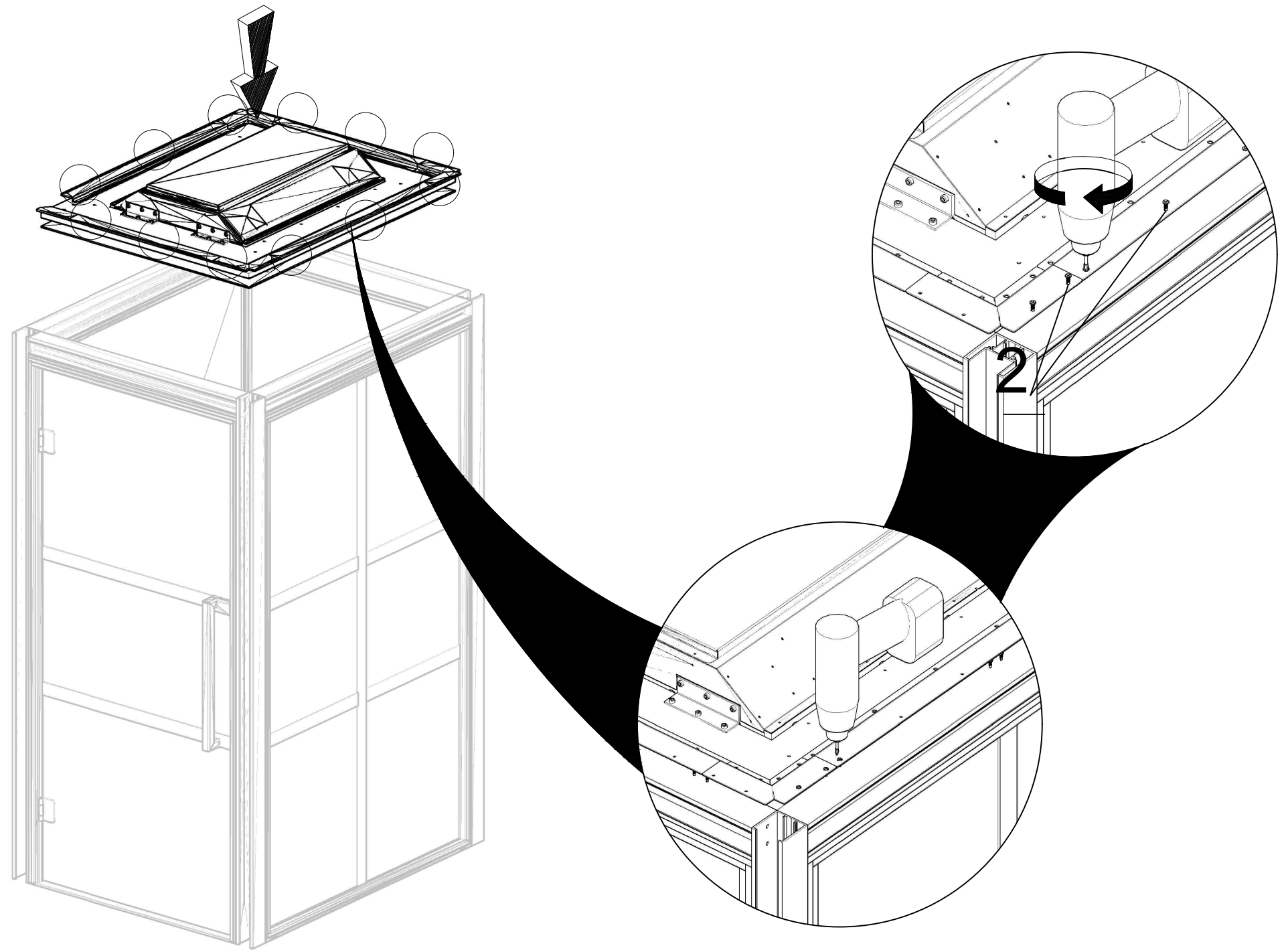
D



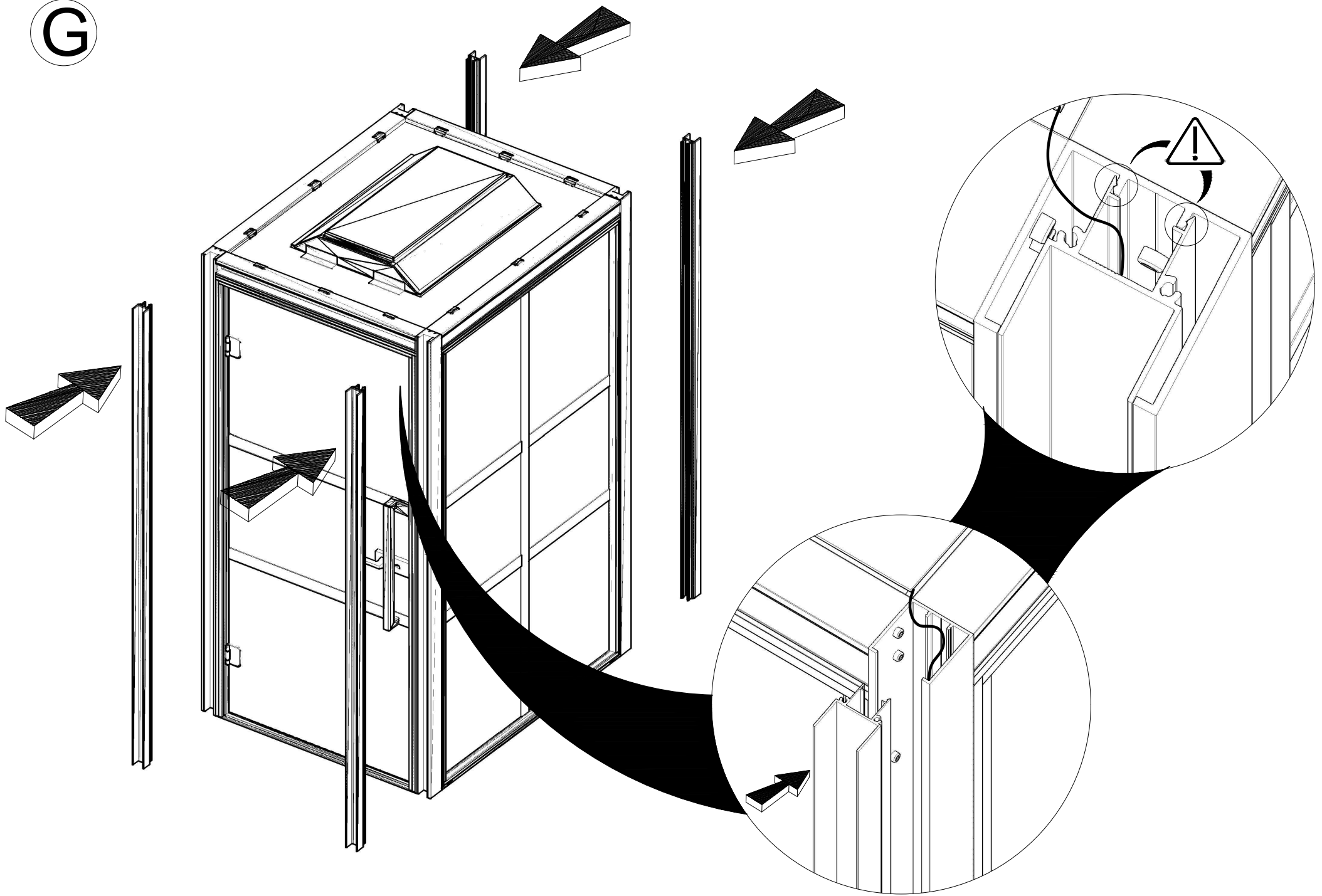
E



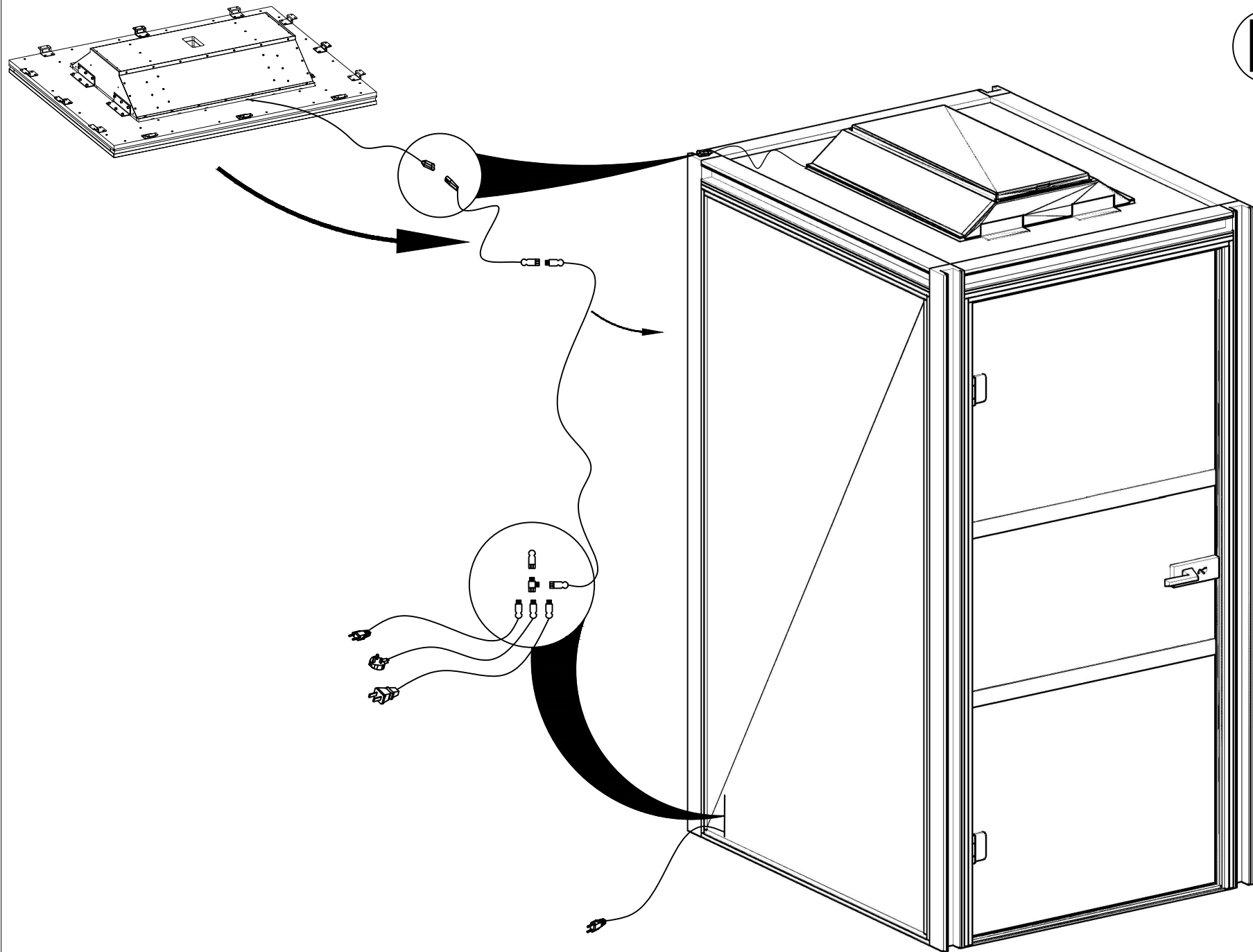
F

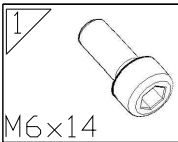


G



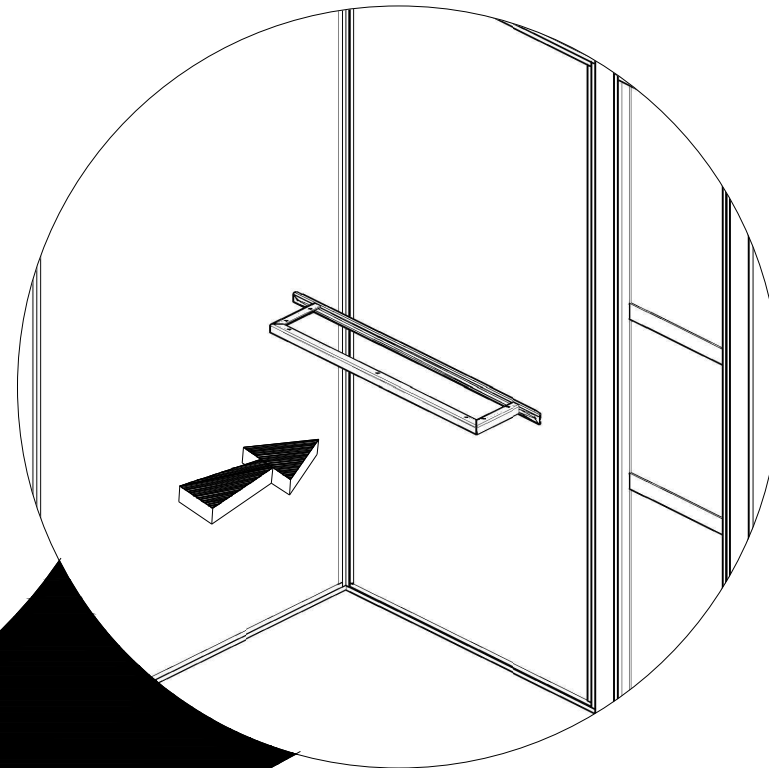
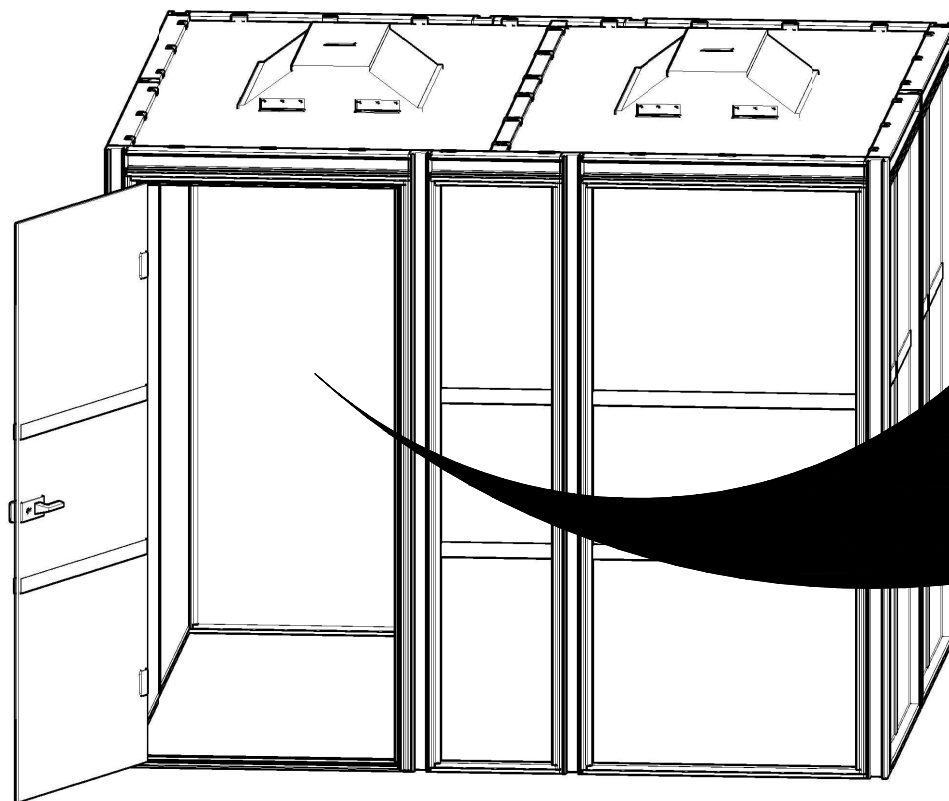
H



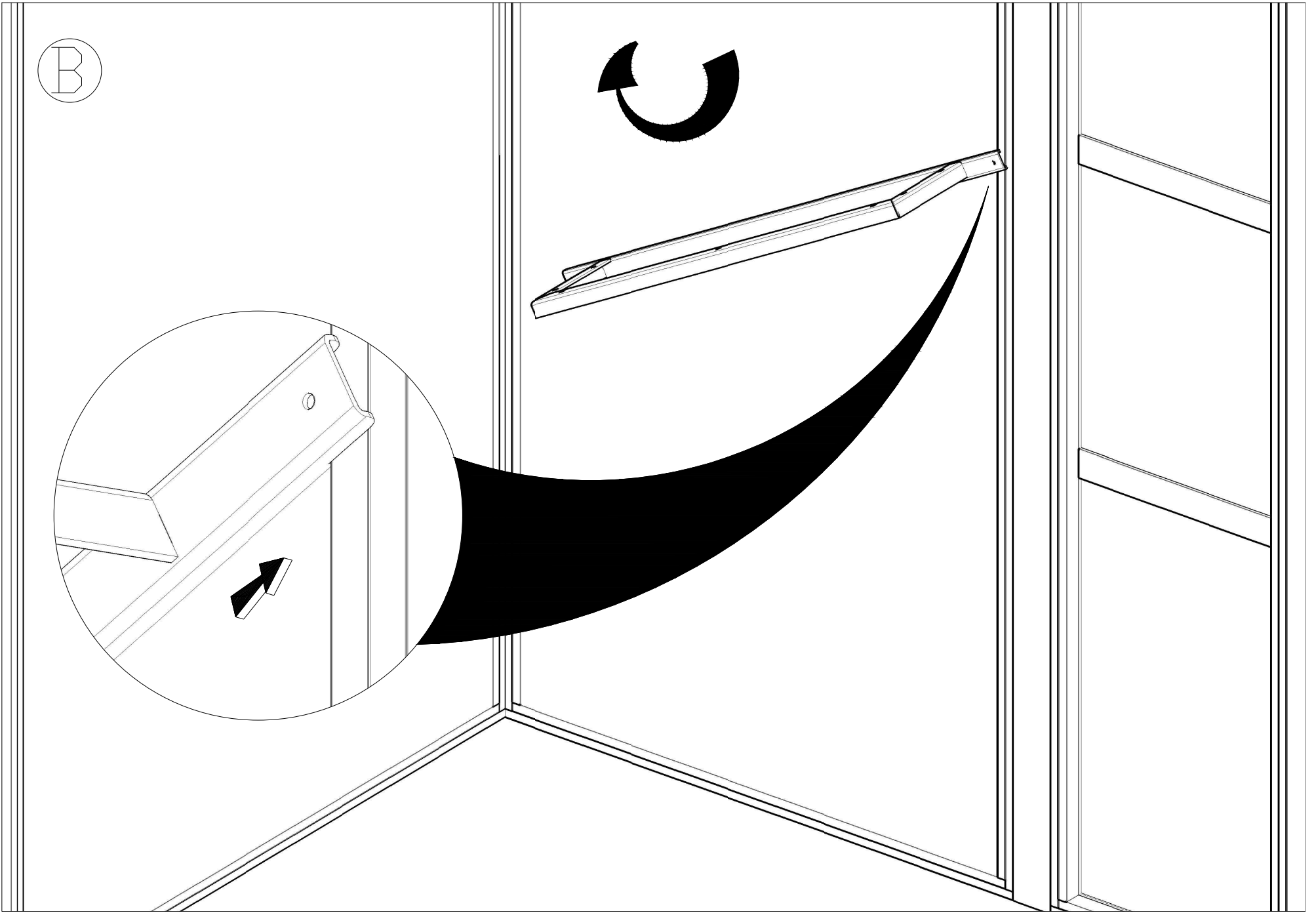
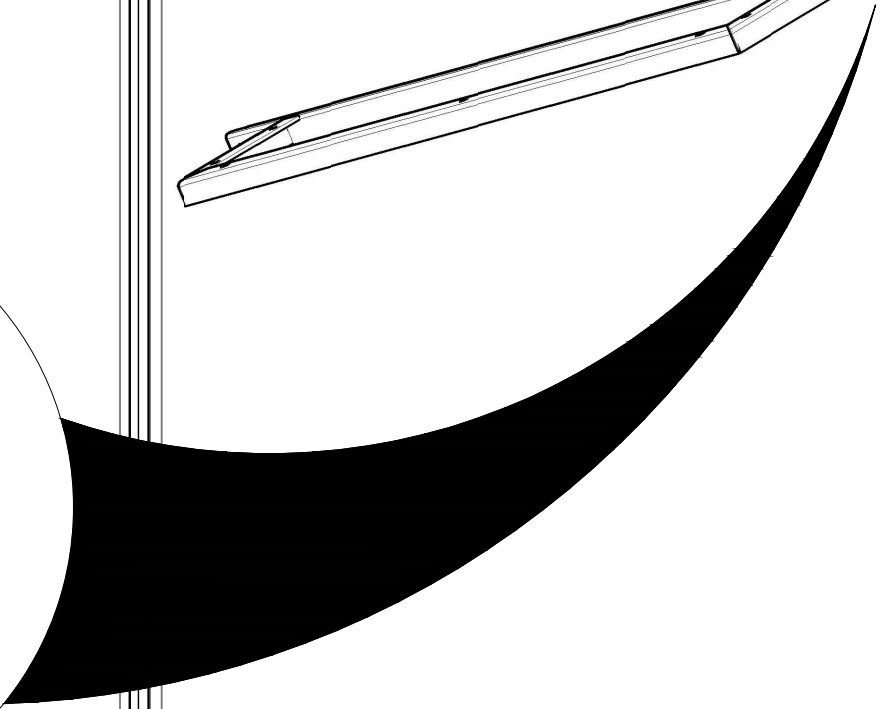
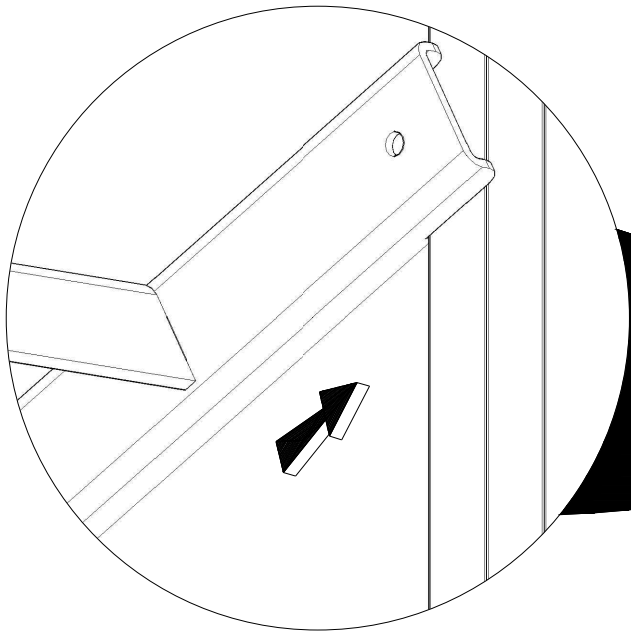
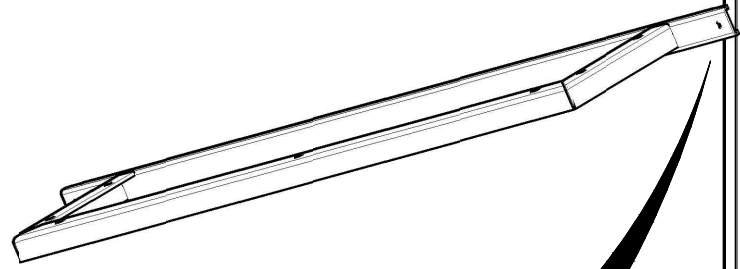
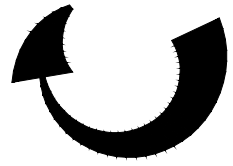


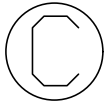
.mdd

HK1P

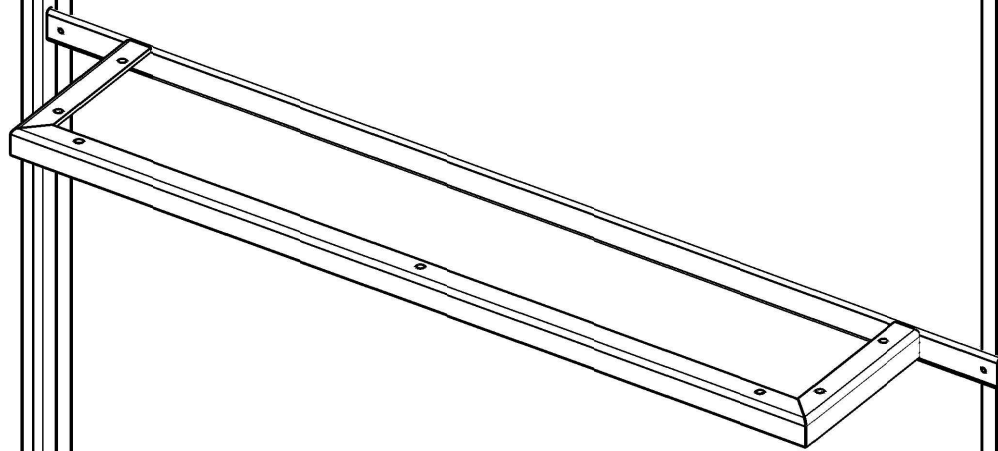
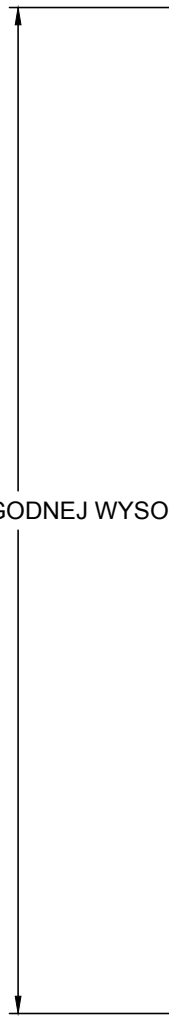


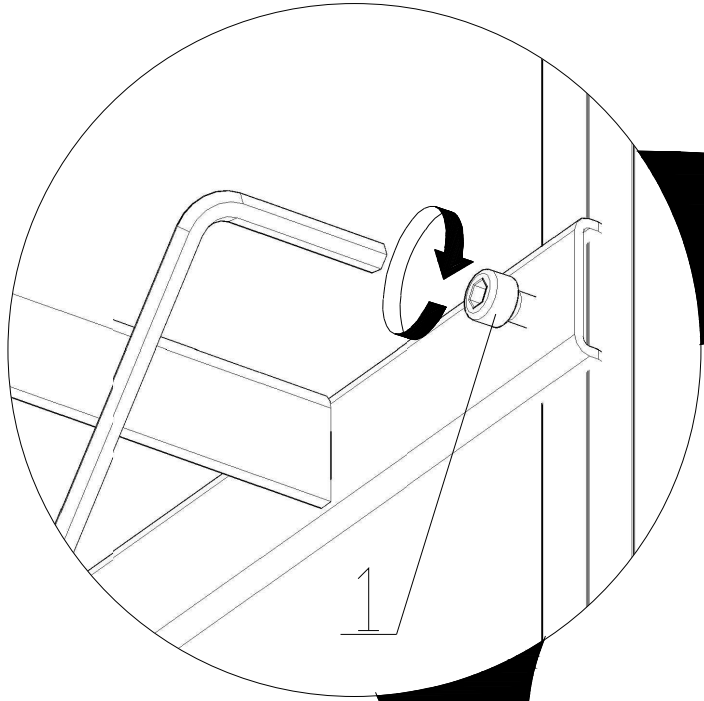
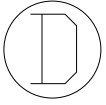
B



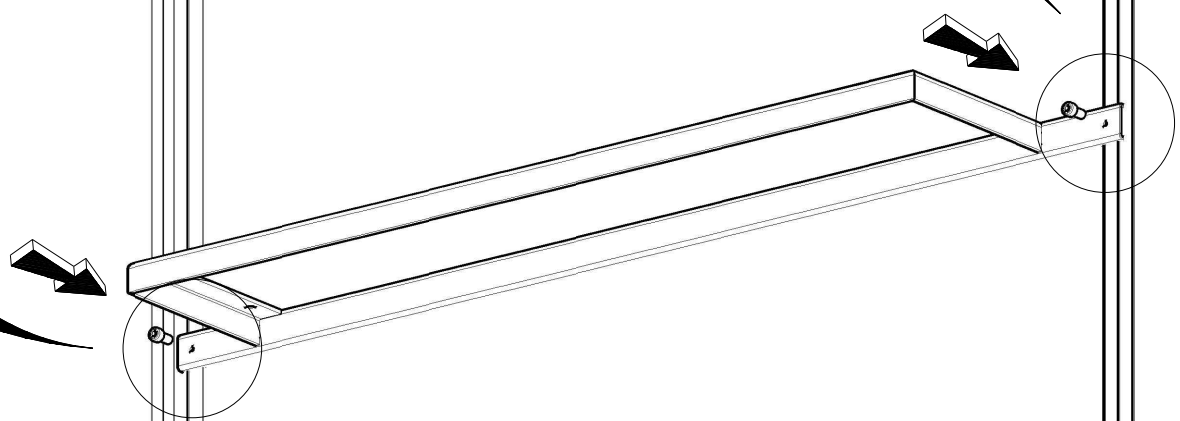


USTAWIĆ NA DOGODNEJ WYSOKOŚCI

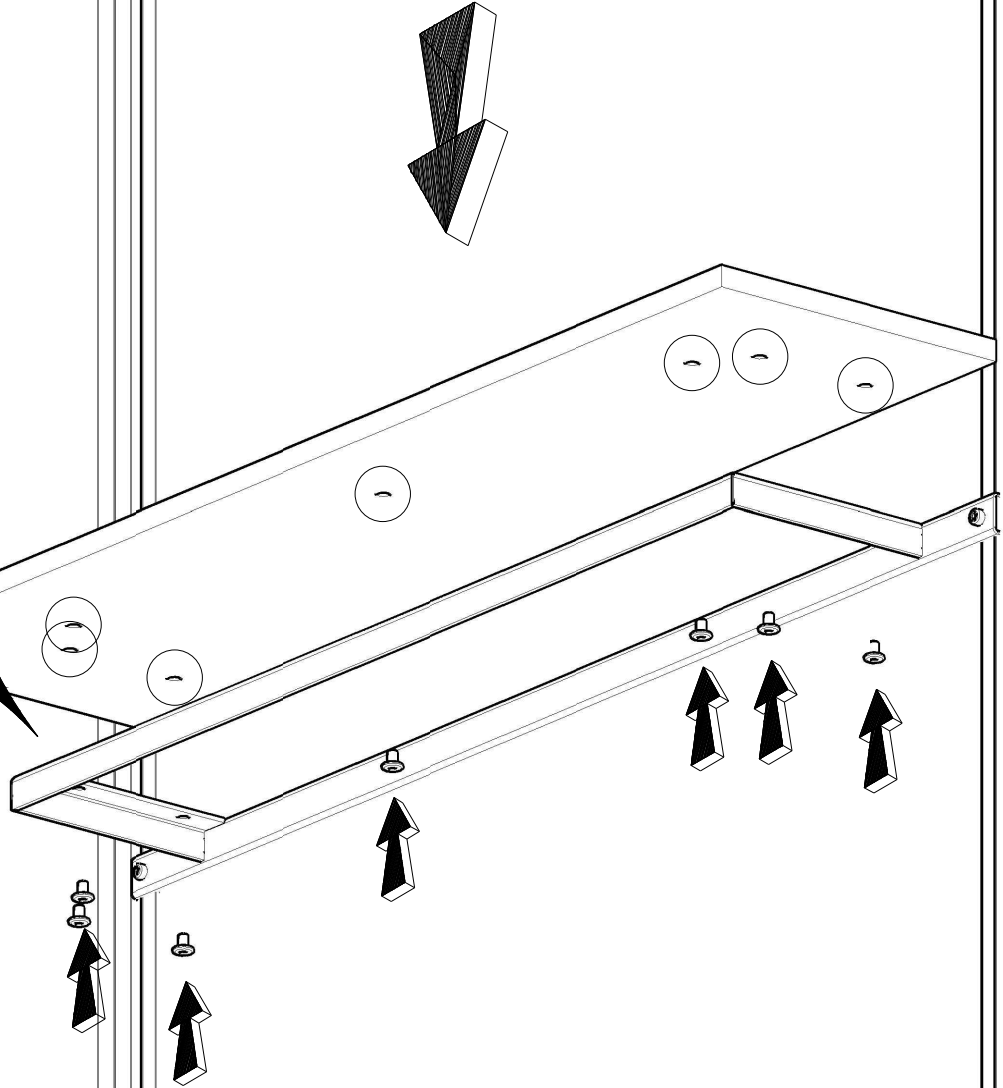
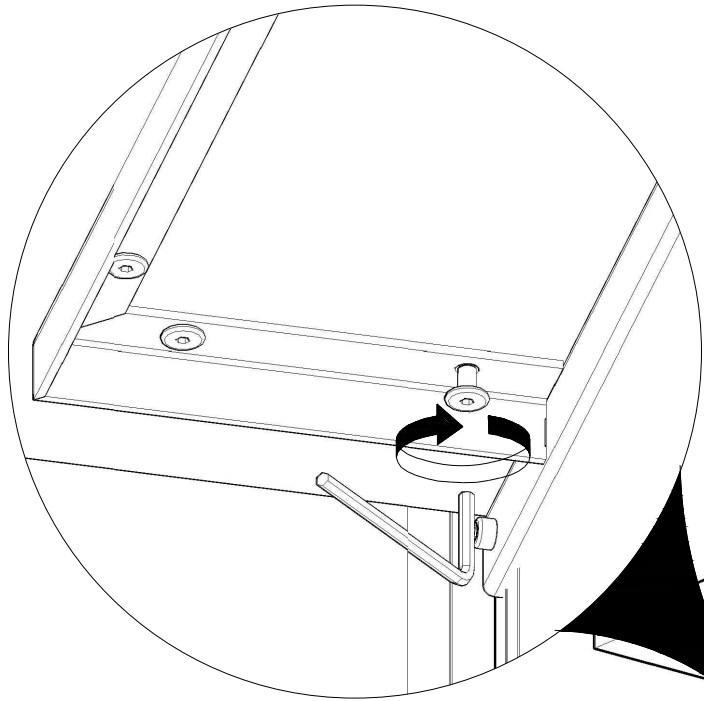




1

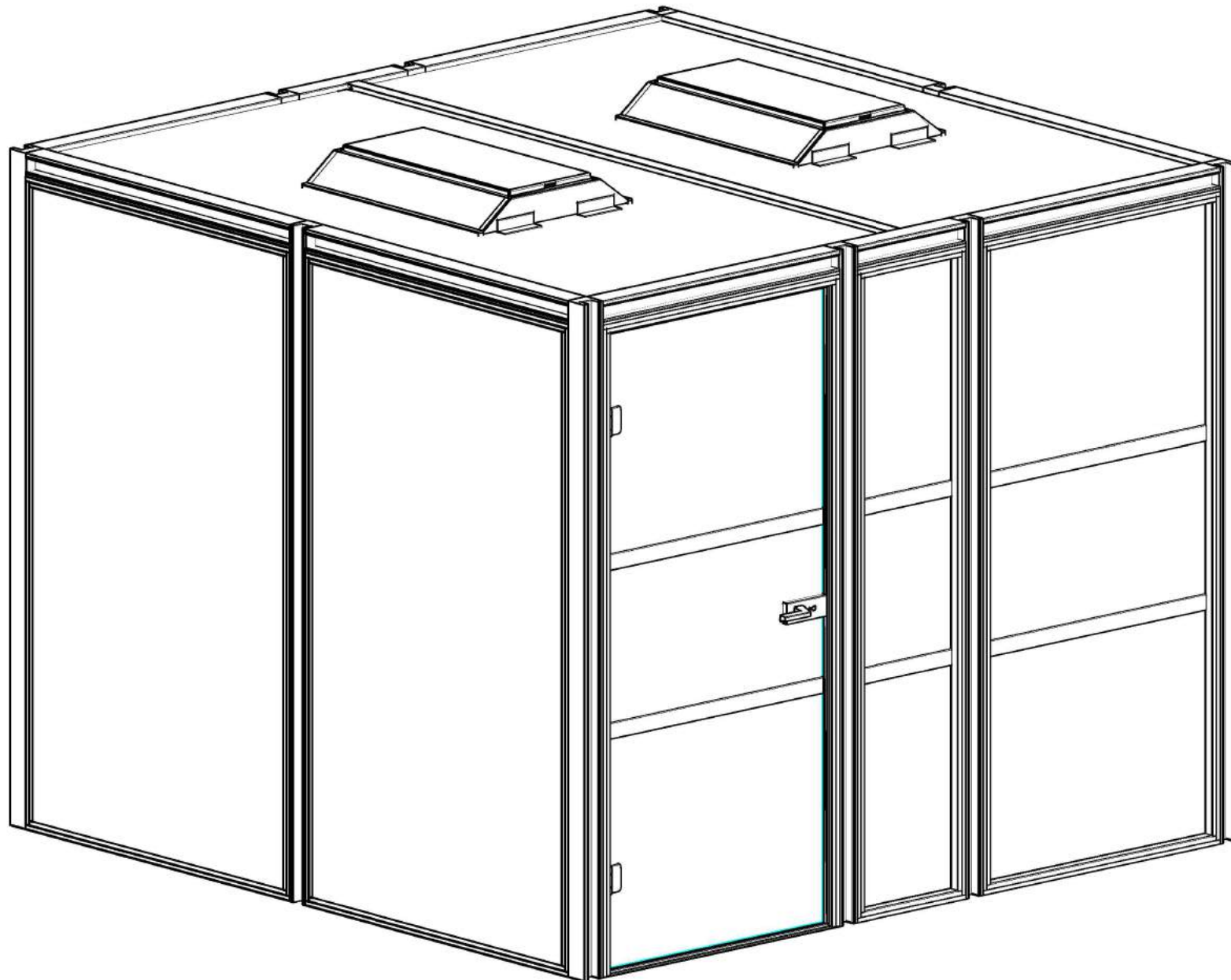


E



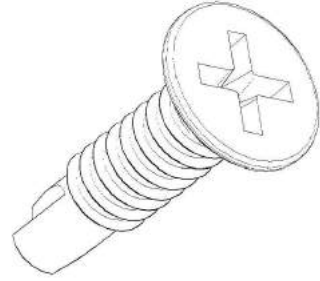
HK03

.mdd

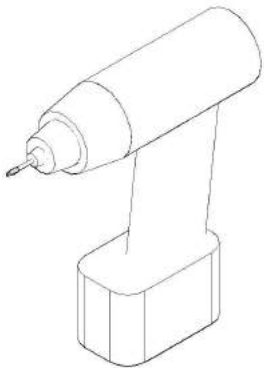
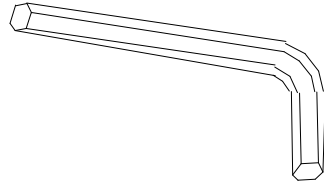




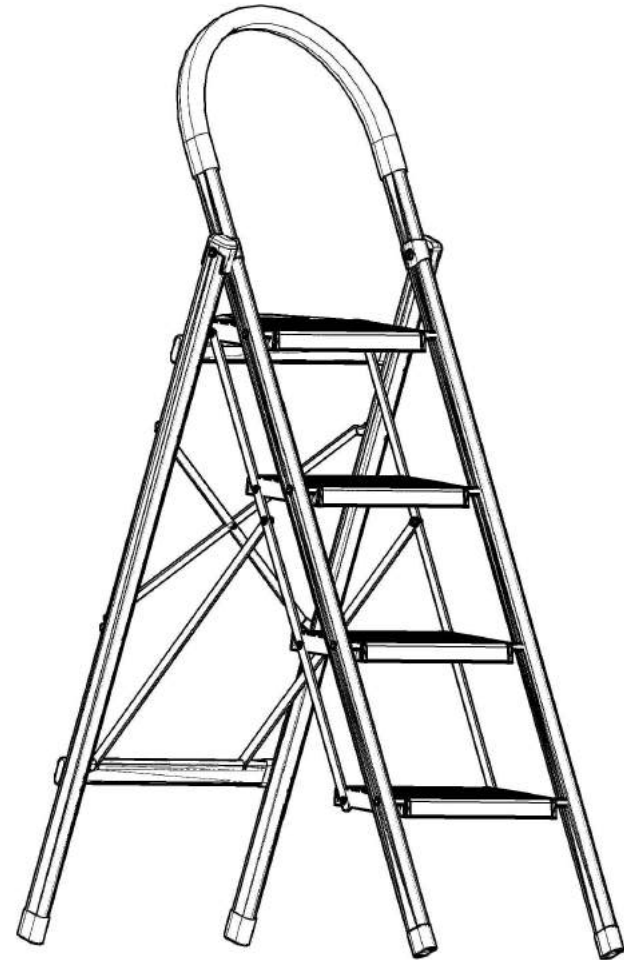
M6x16

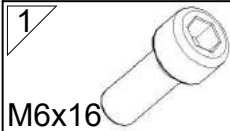


Ø4.2x16



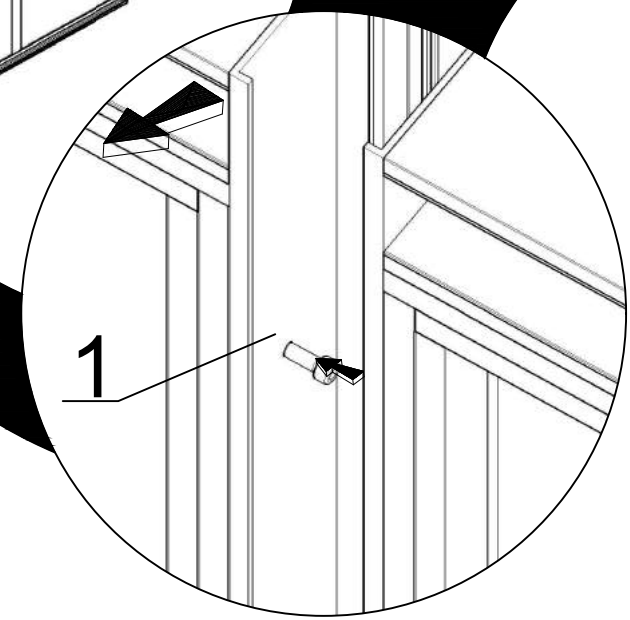
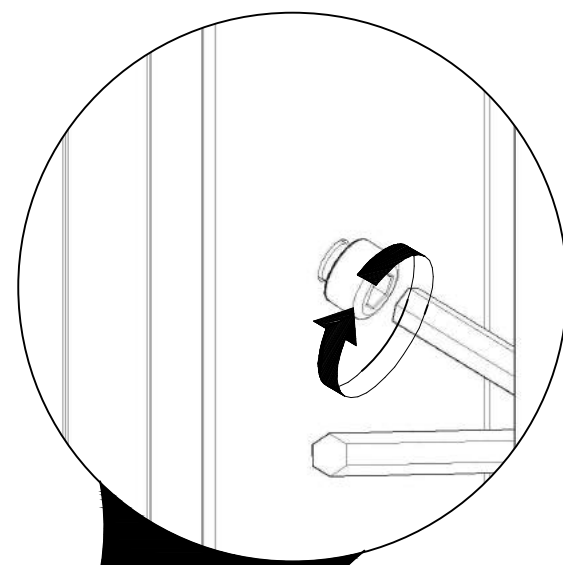
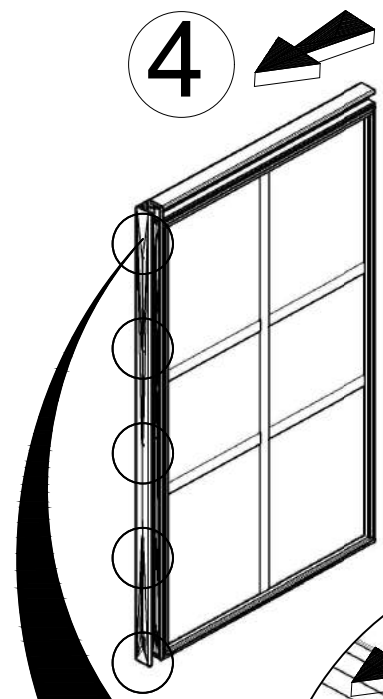
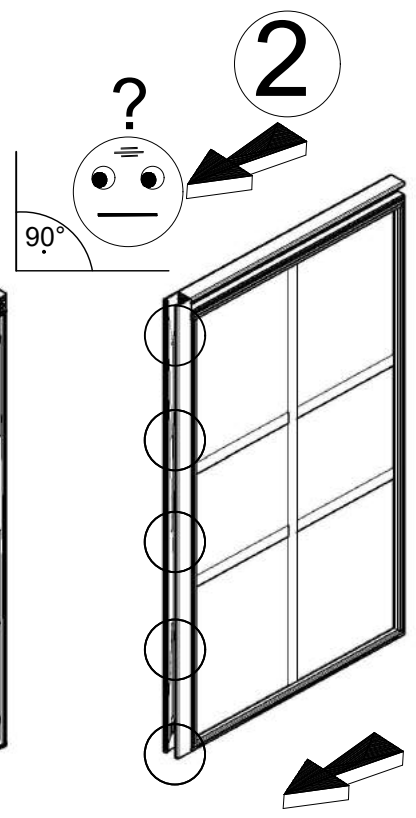
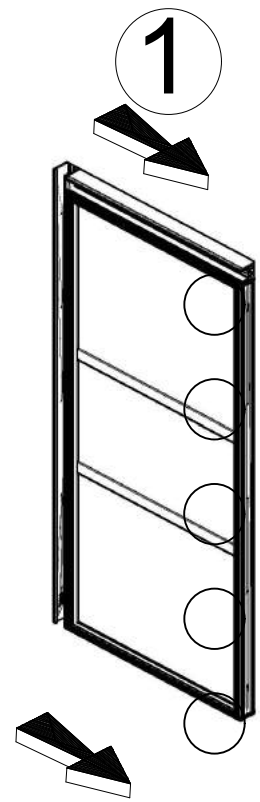
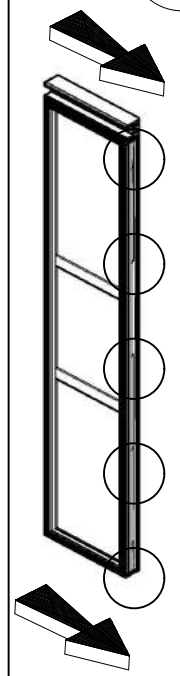
MIN 1,5M



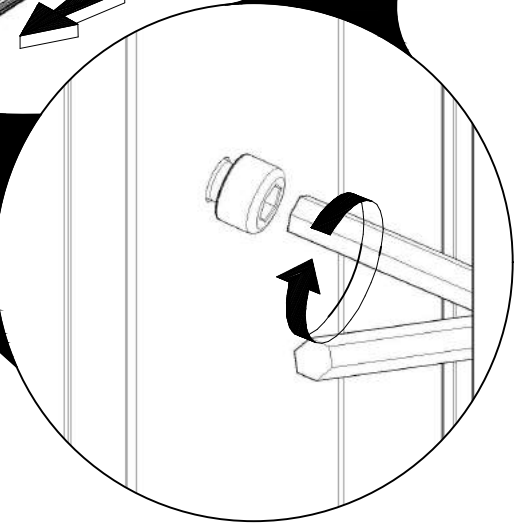
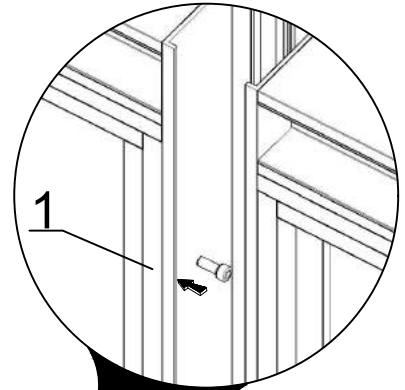
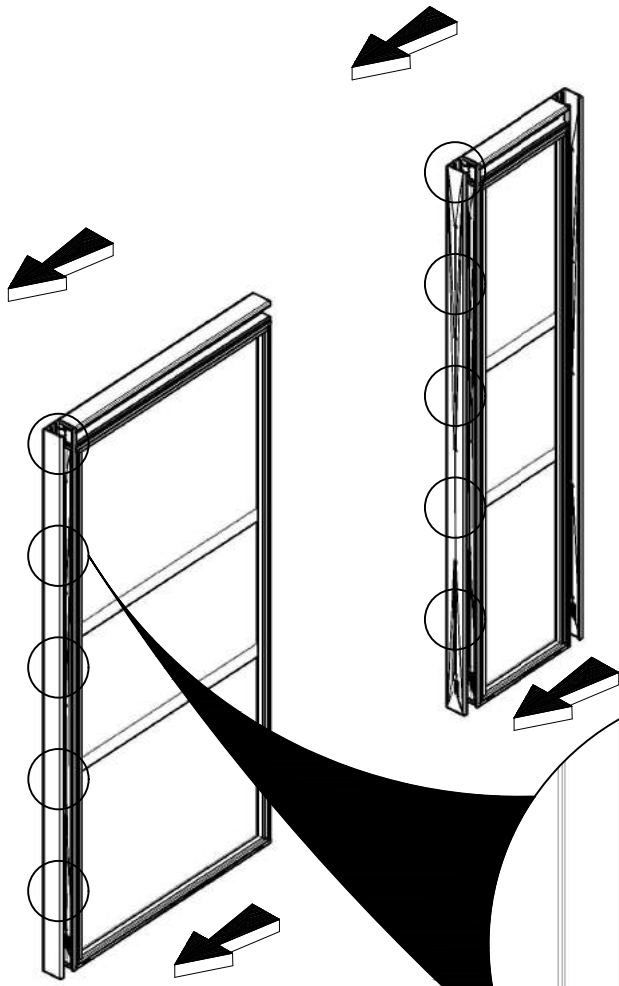
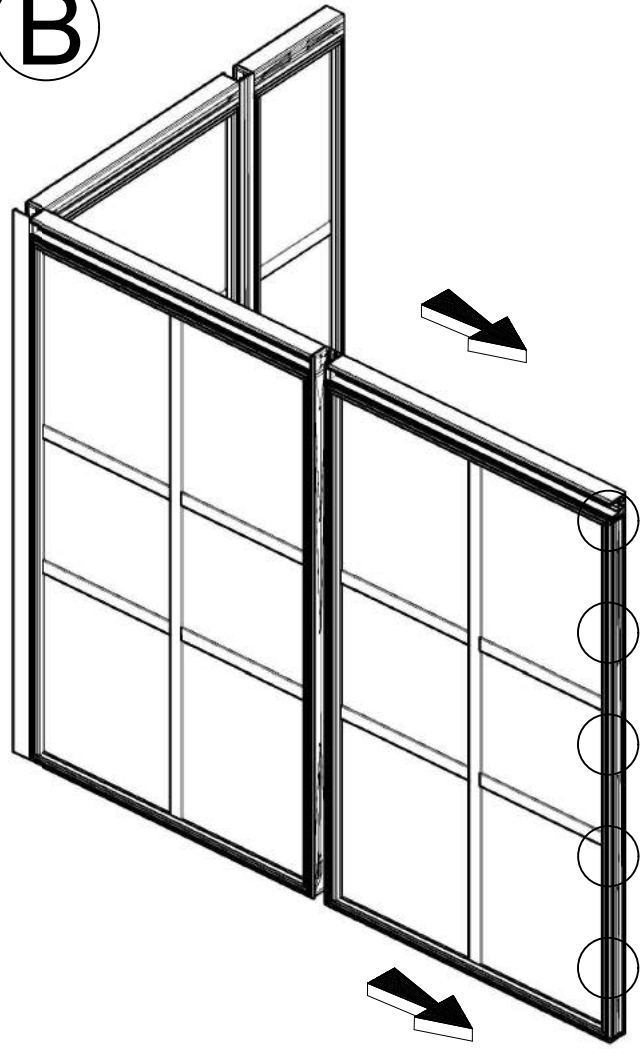


HK03

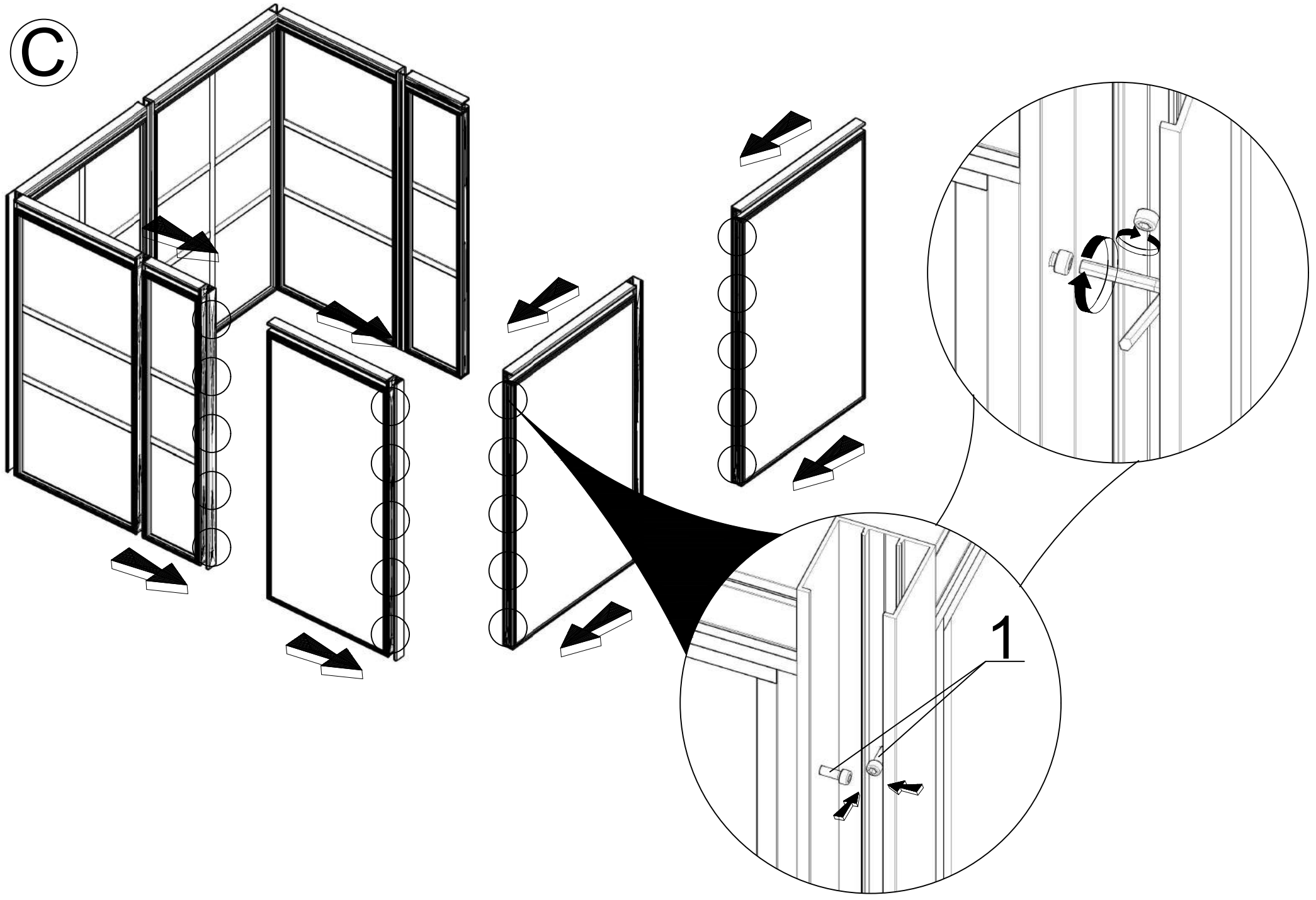
A 3



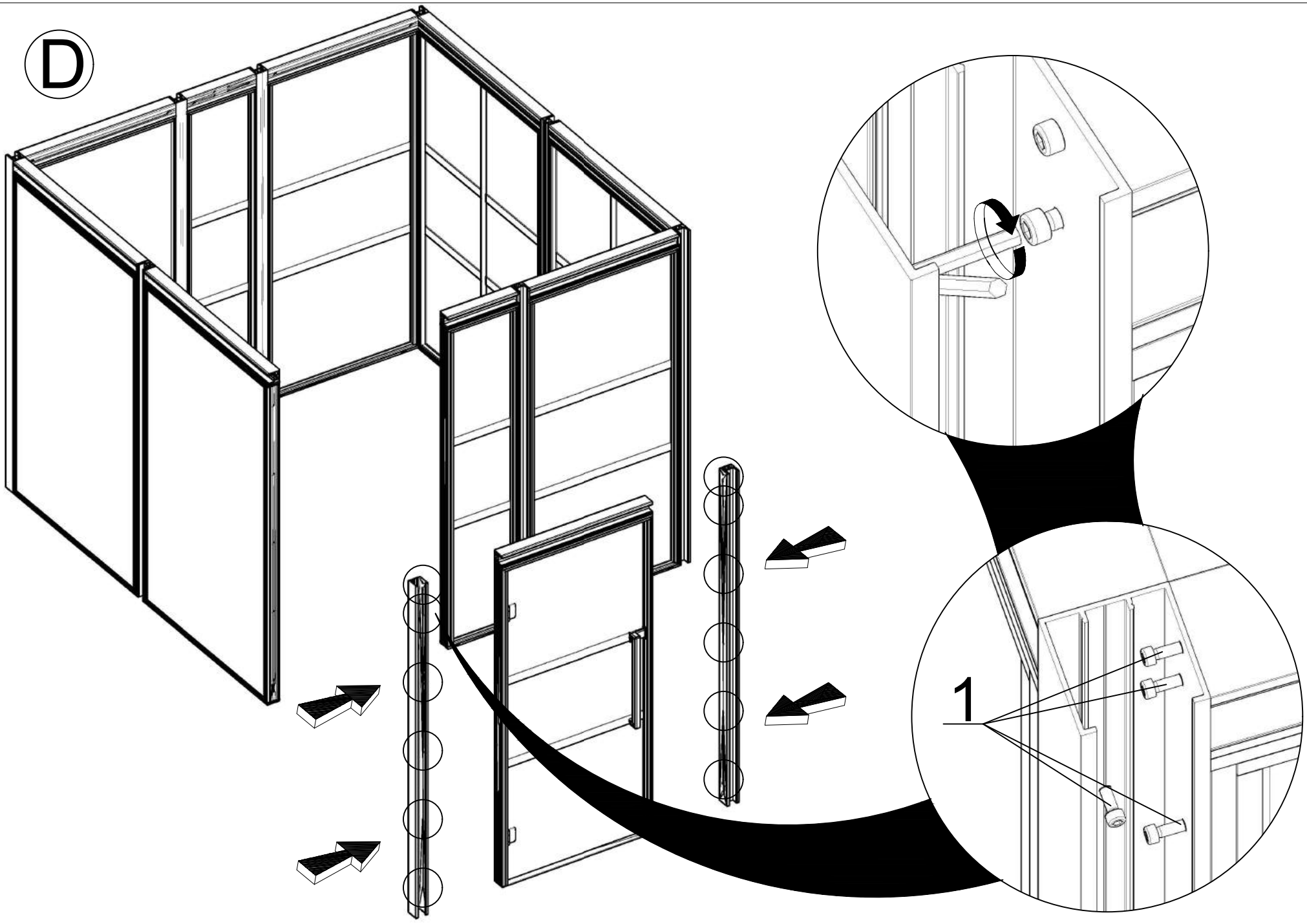
B



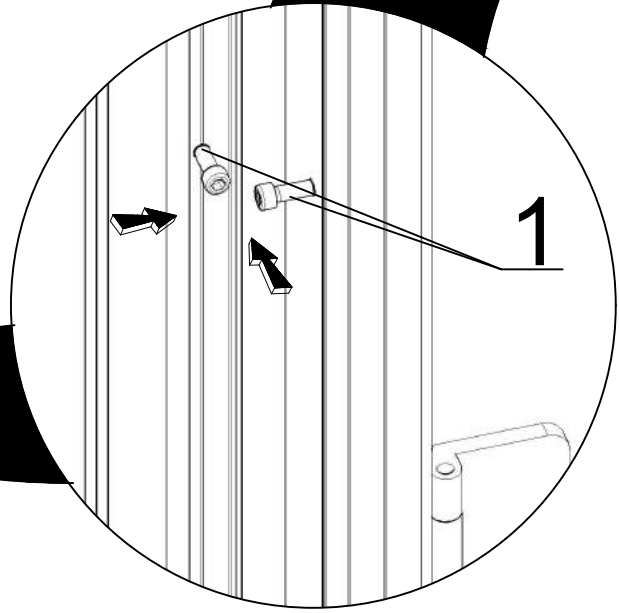
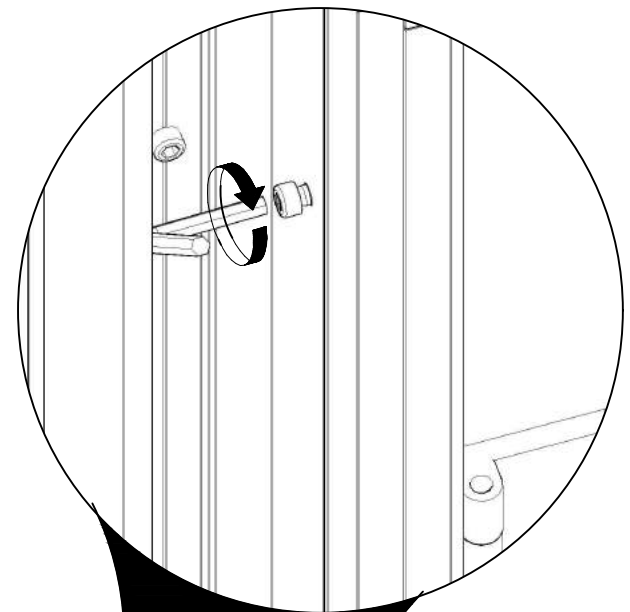
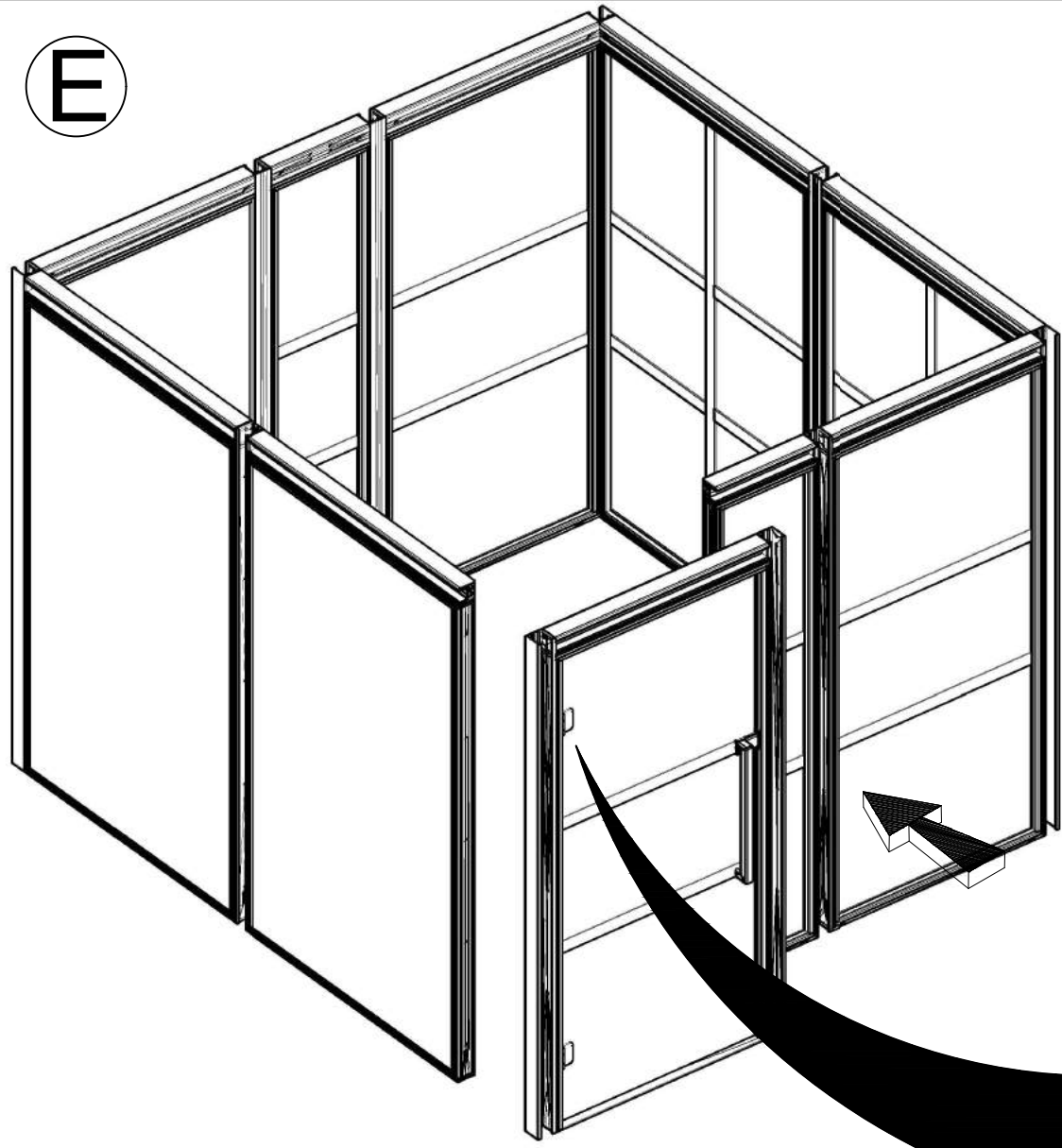
C



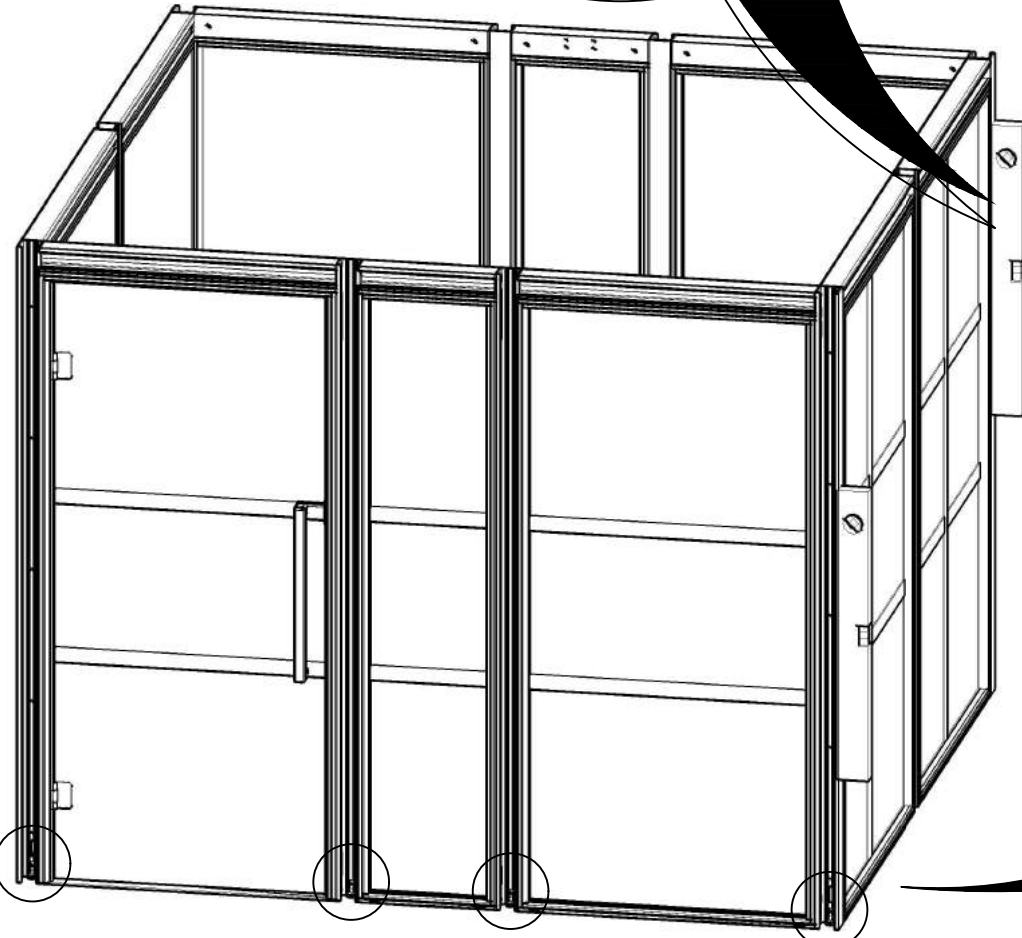
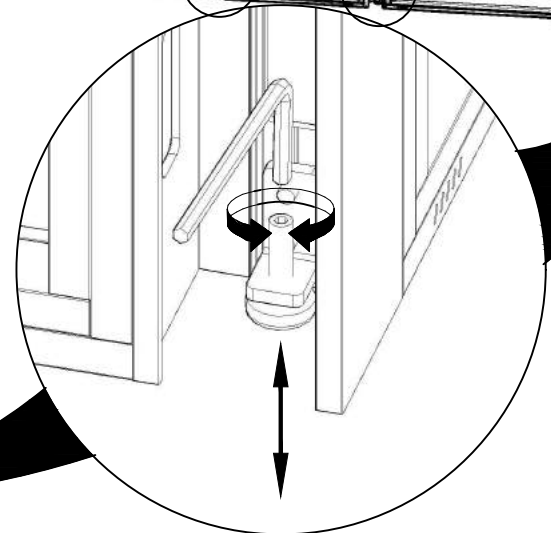
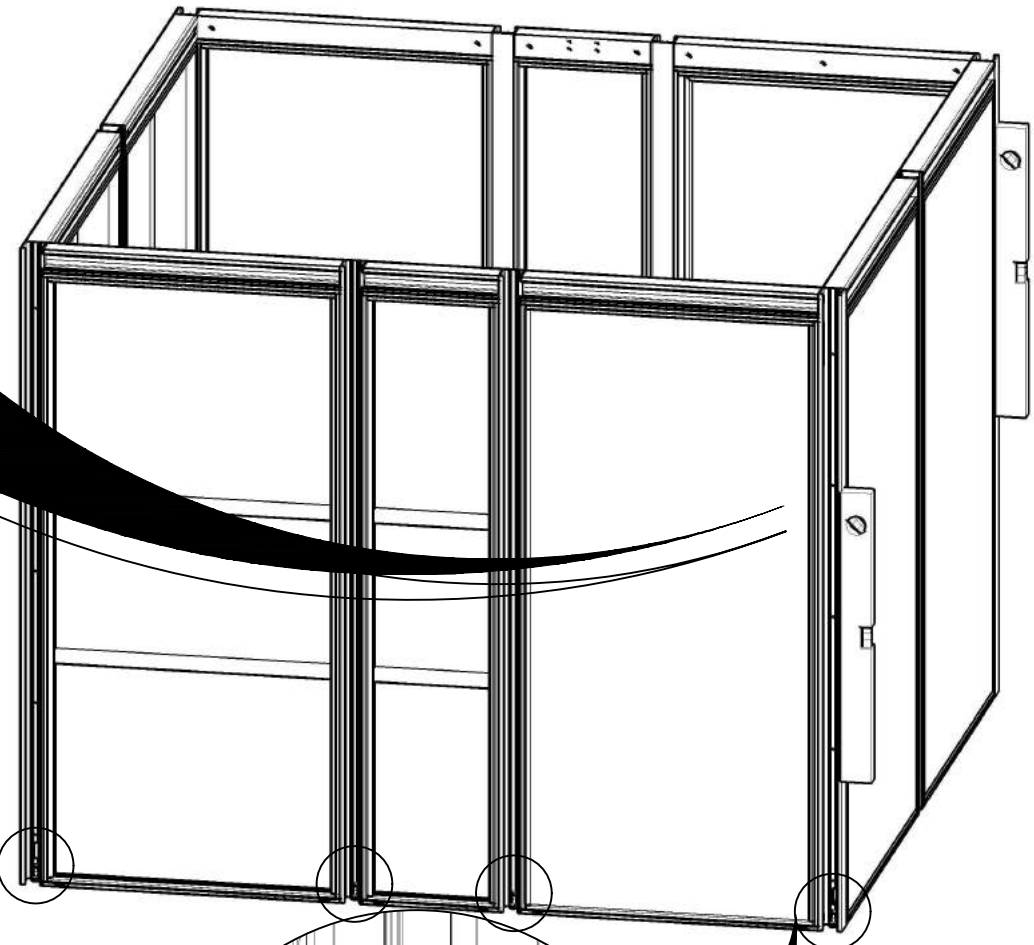
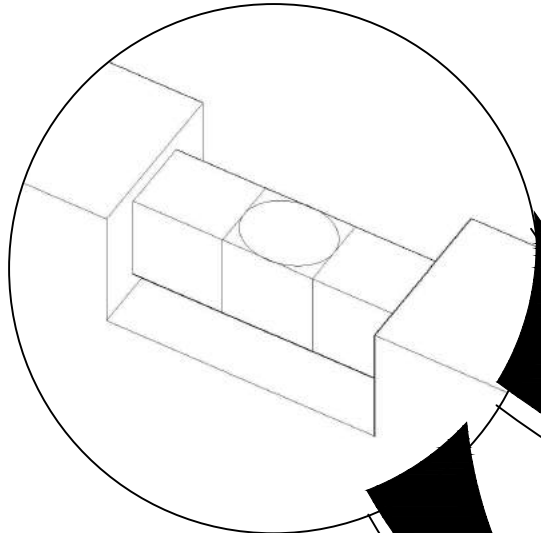
D



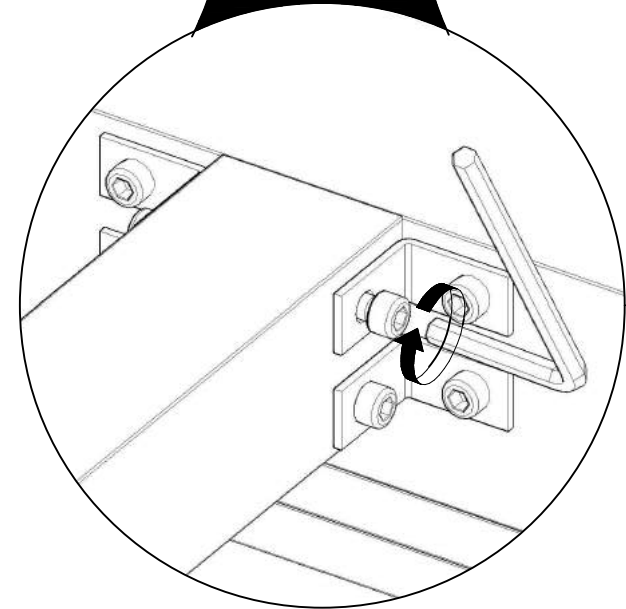
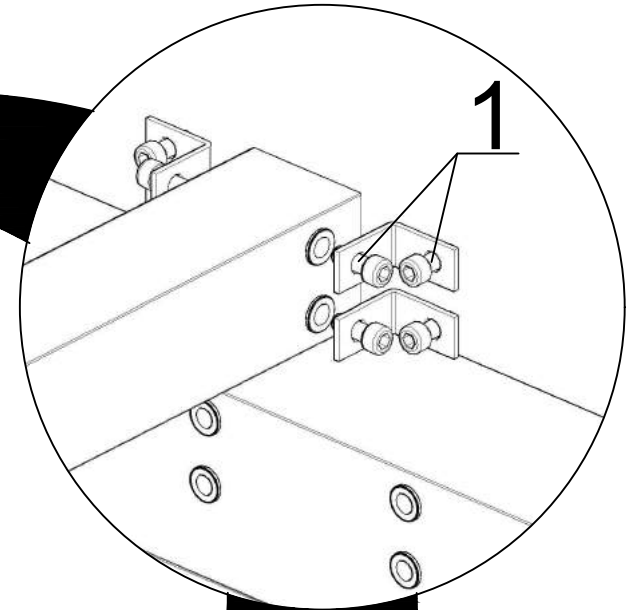
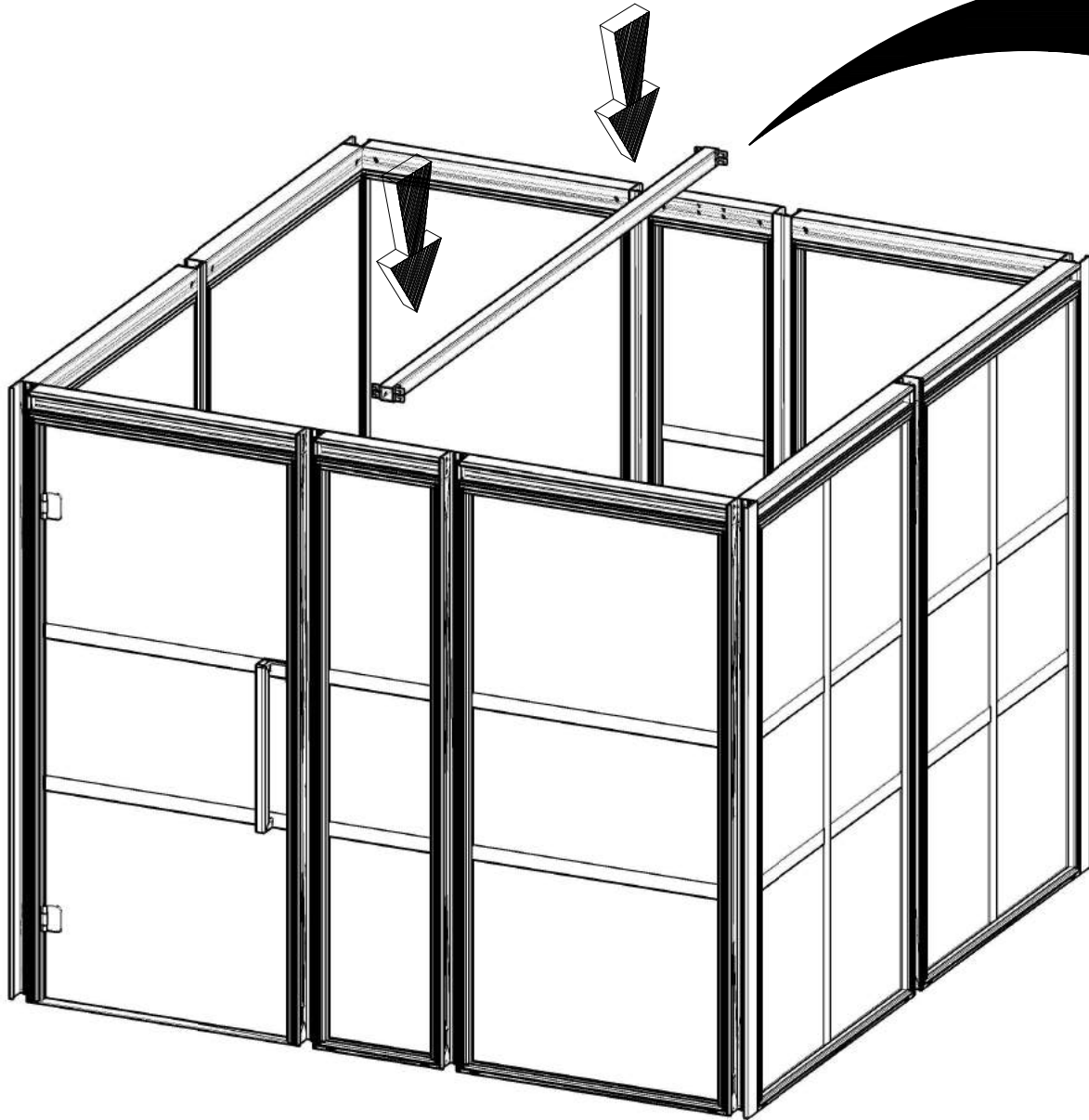
E



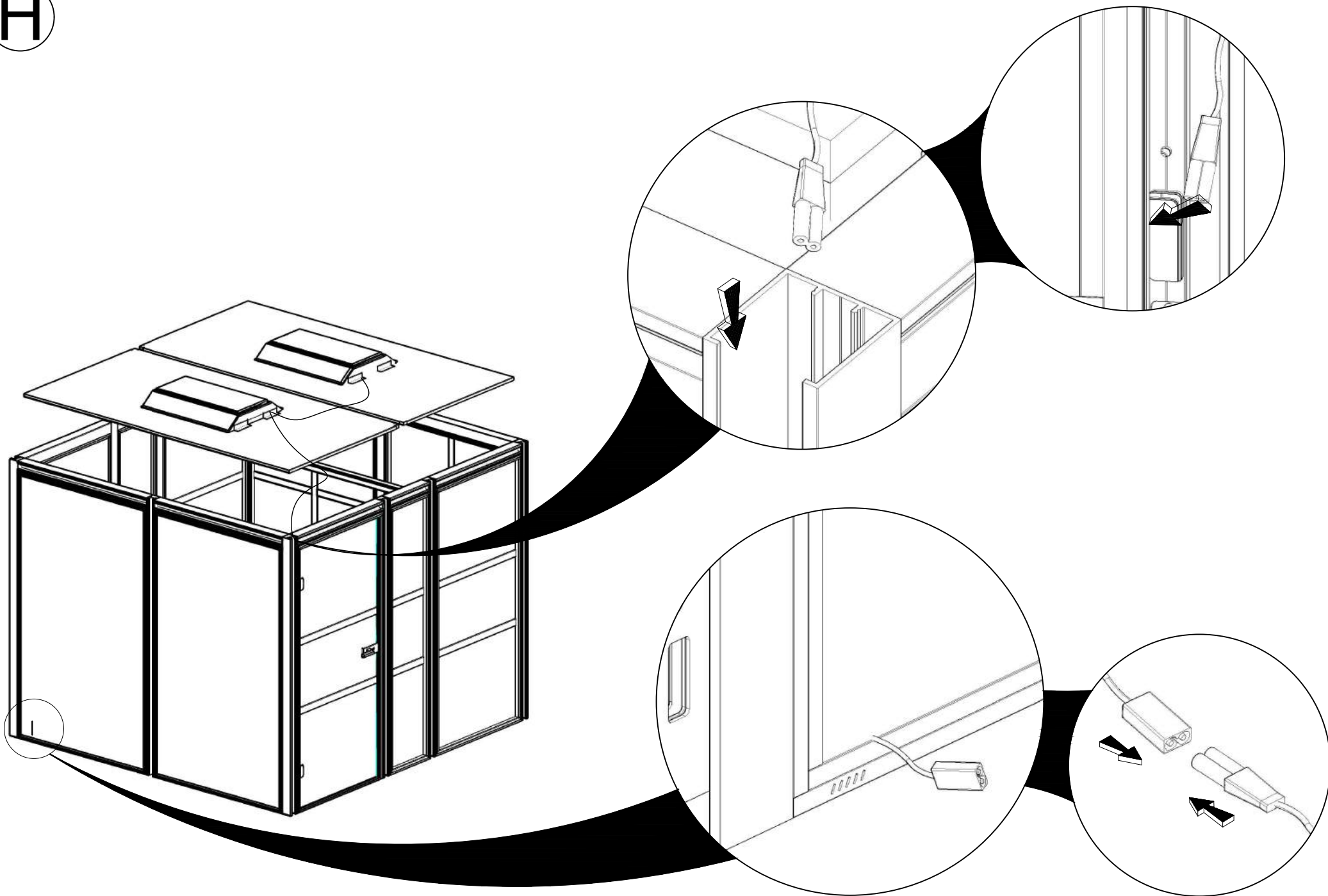
F



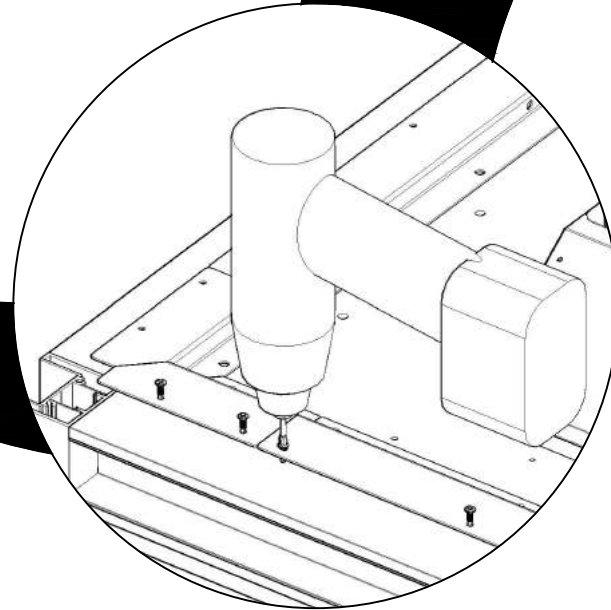
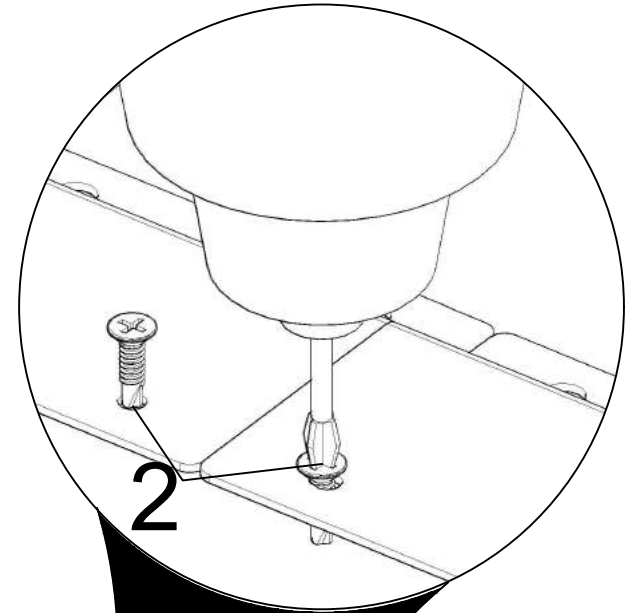
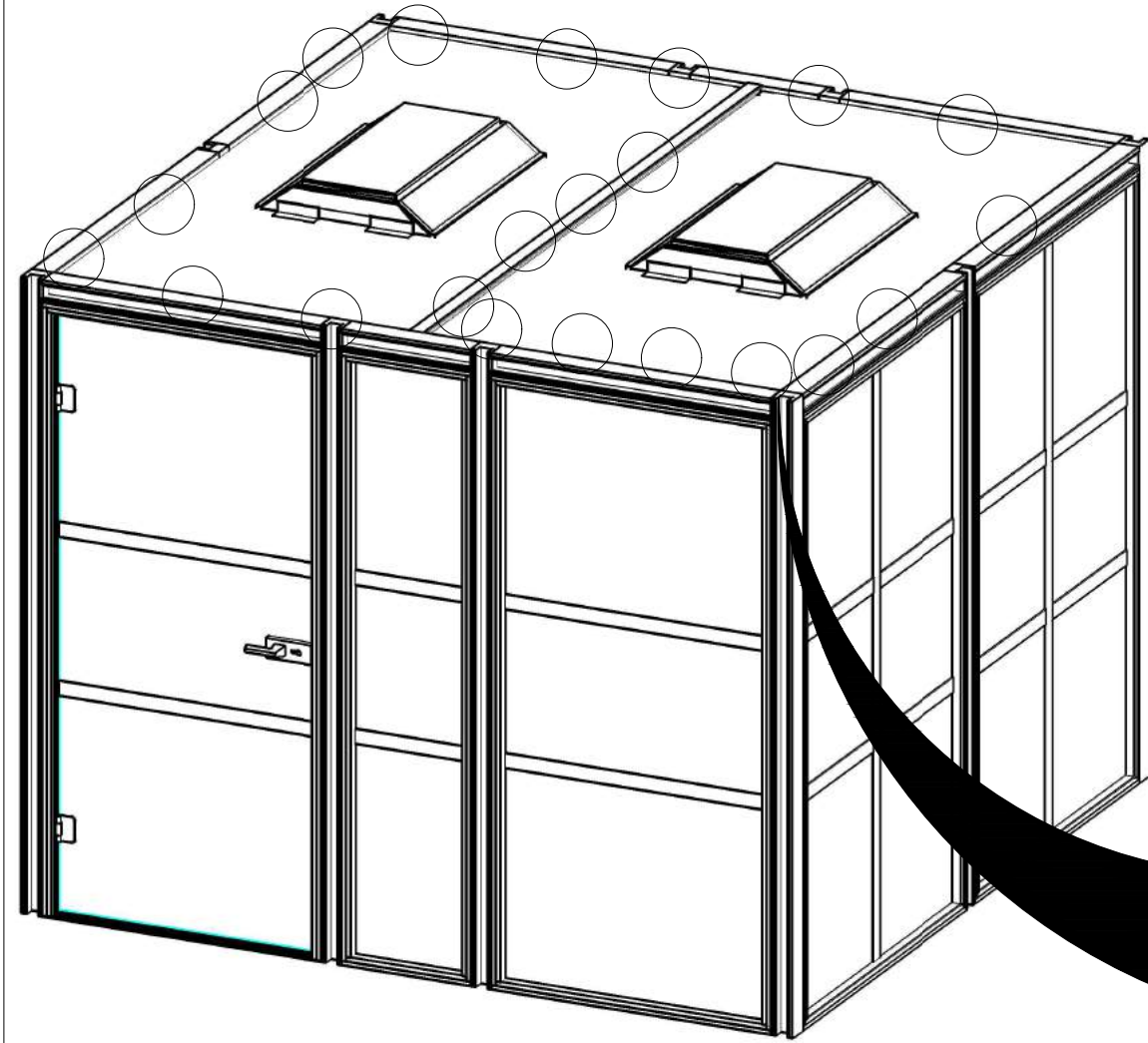
G



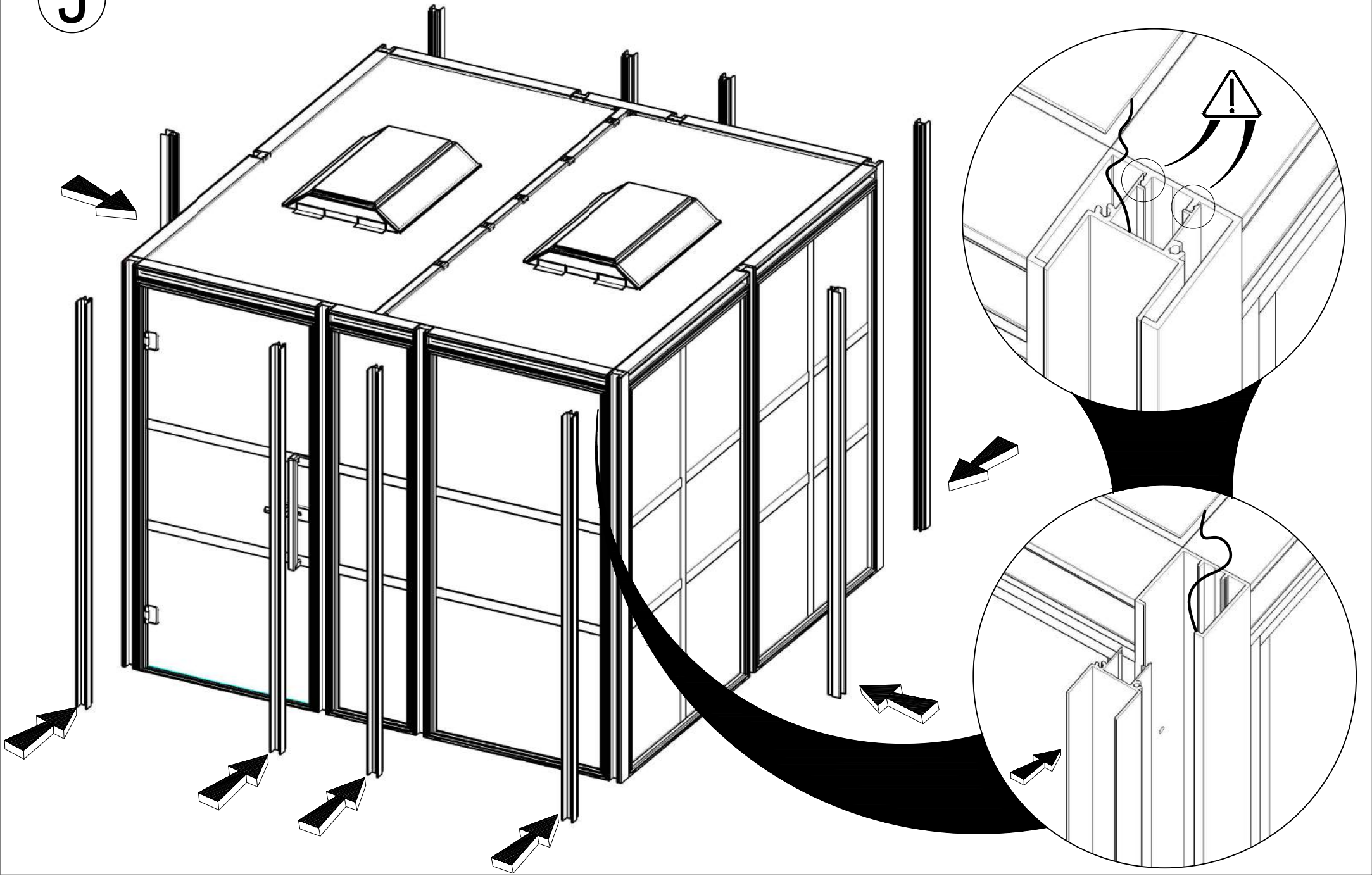
H

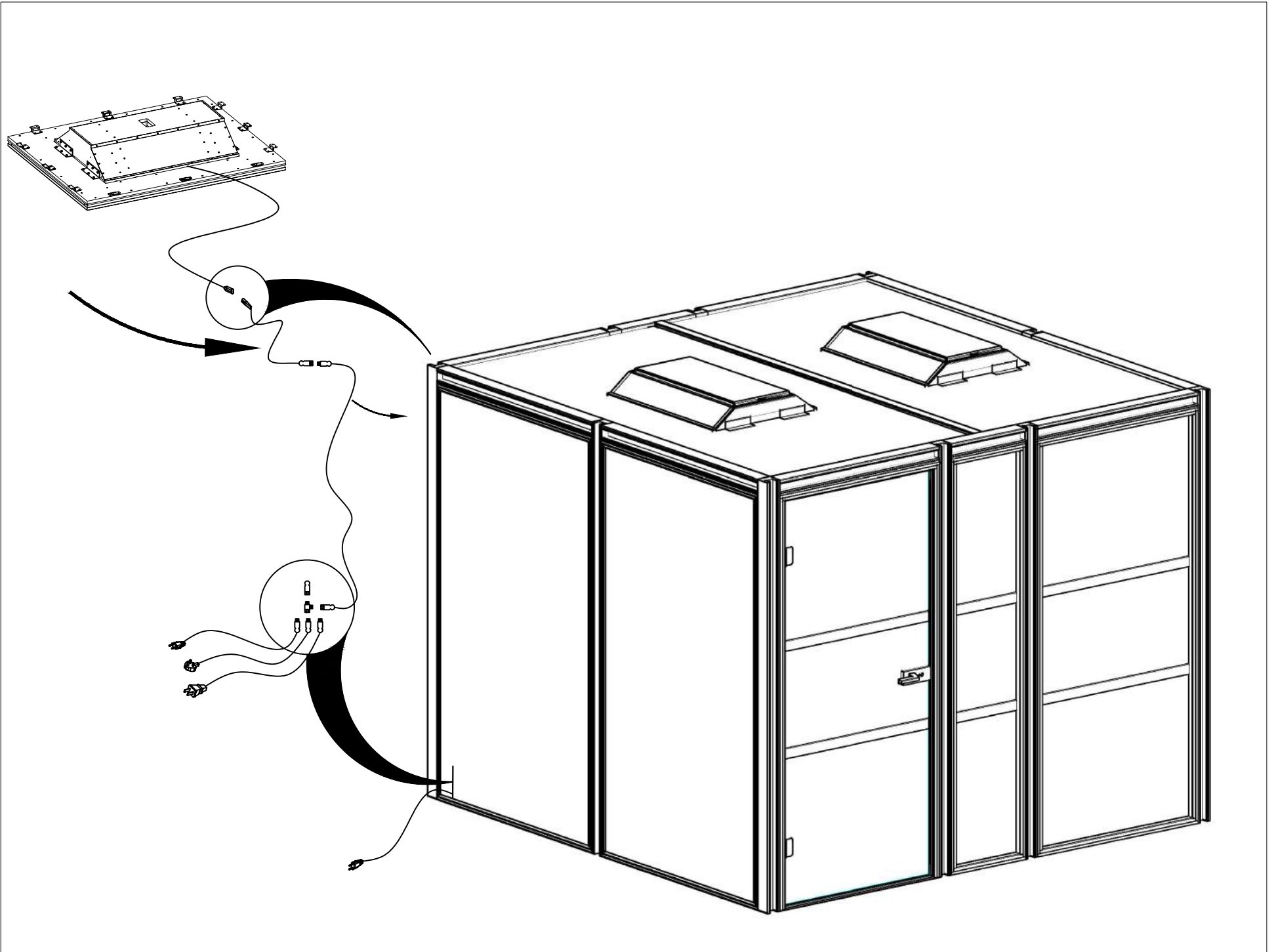


I



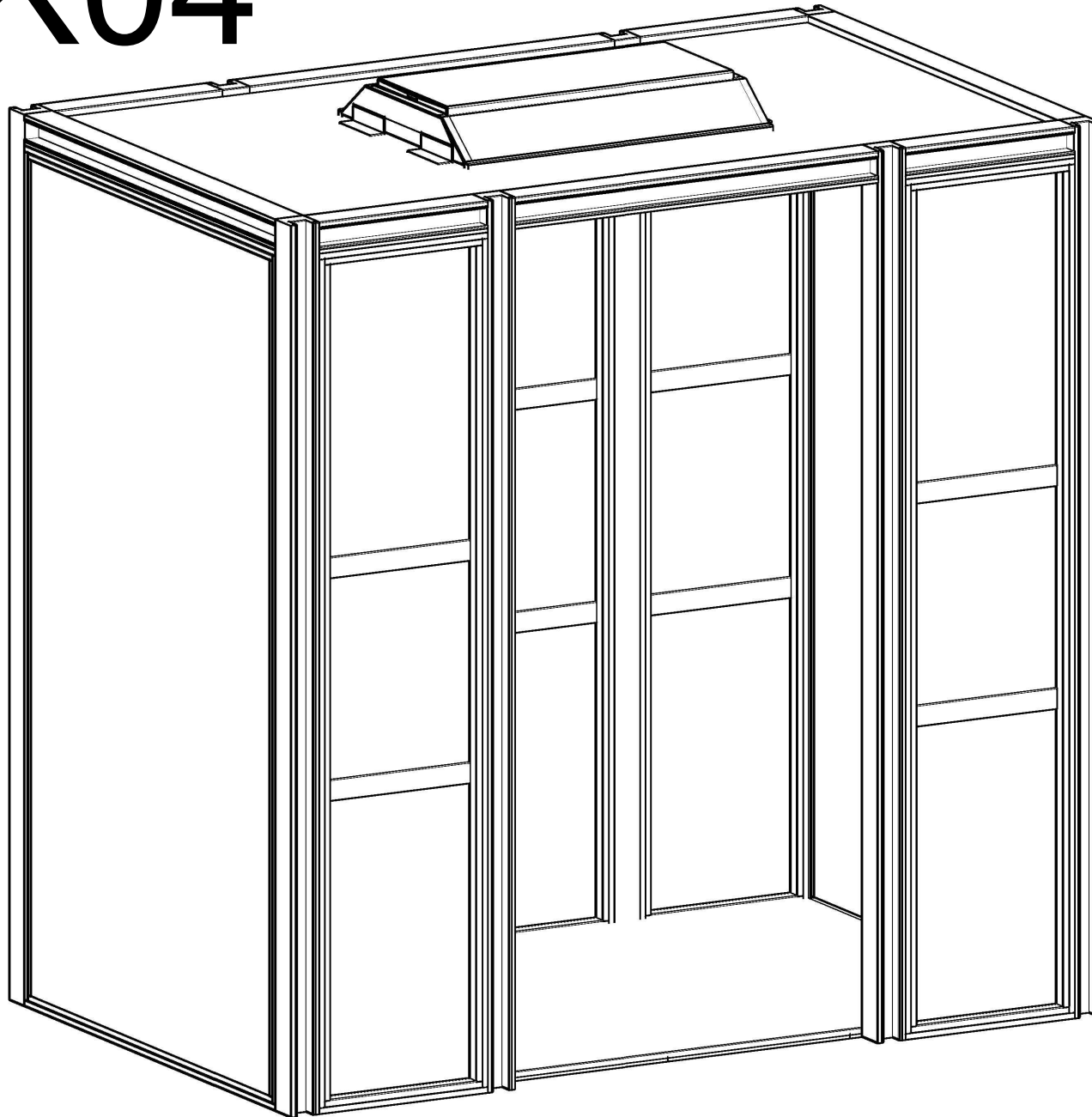
J

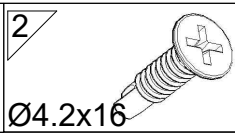
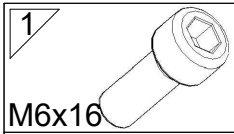




HK04

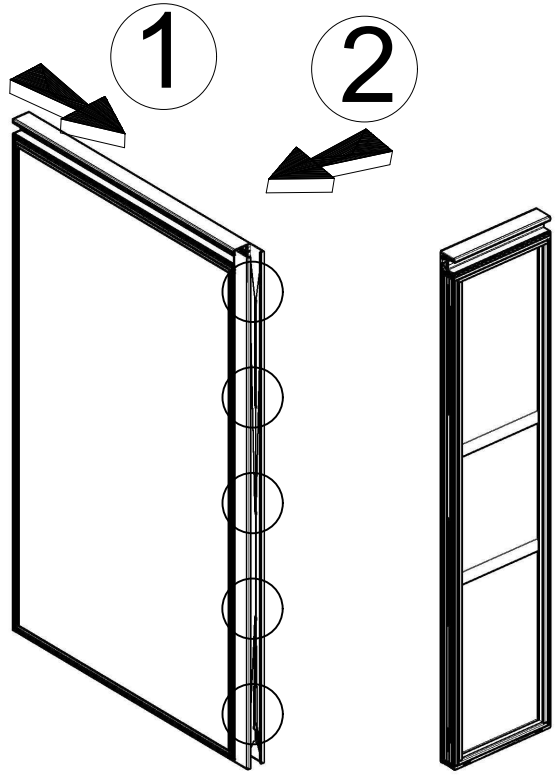
.mdd



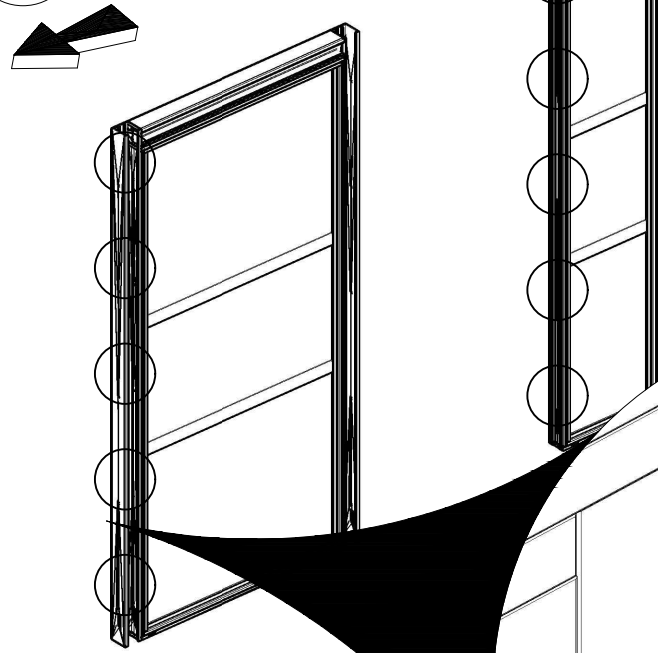


HK04

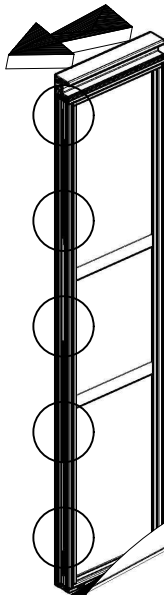
A



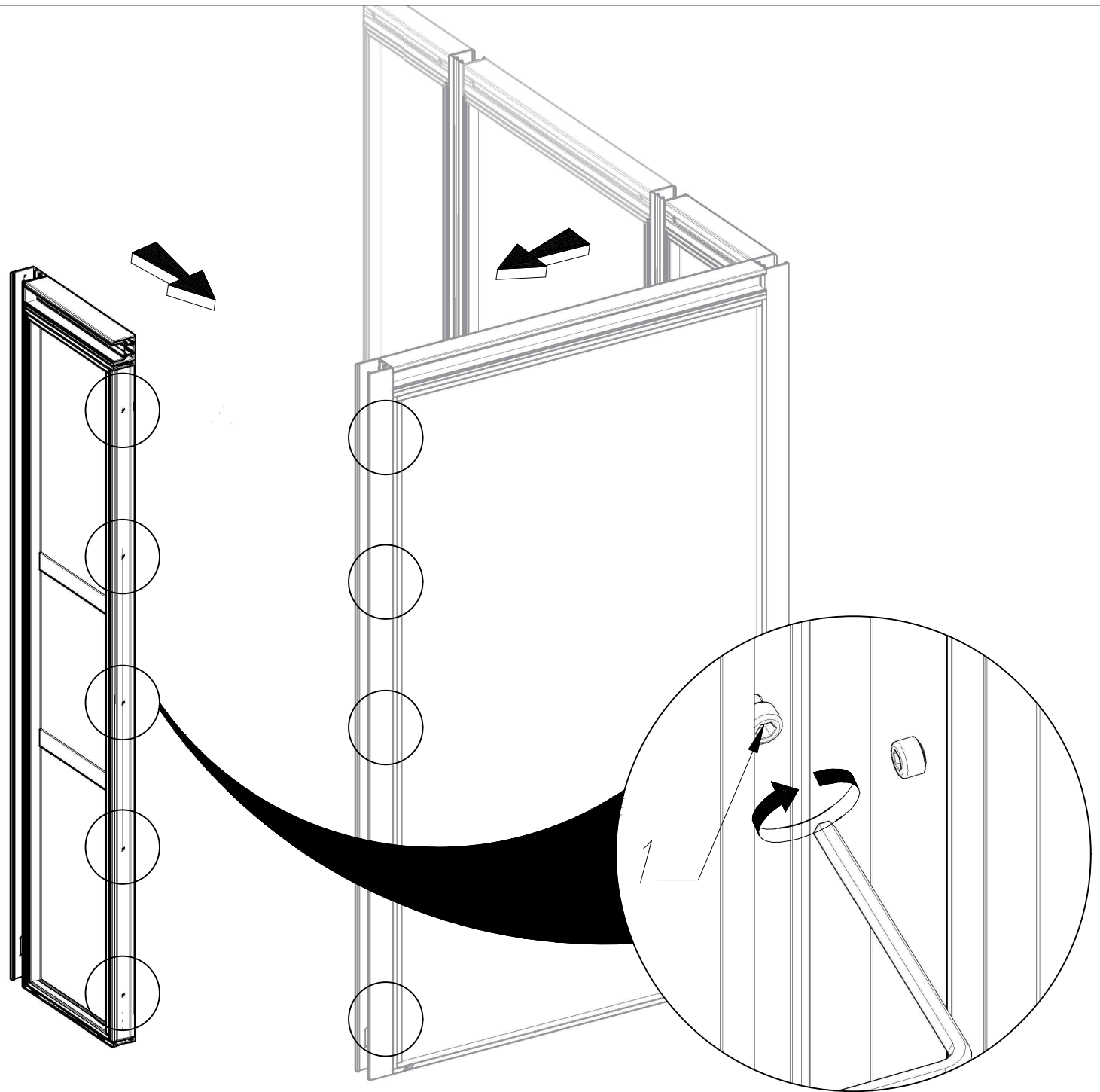
3



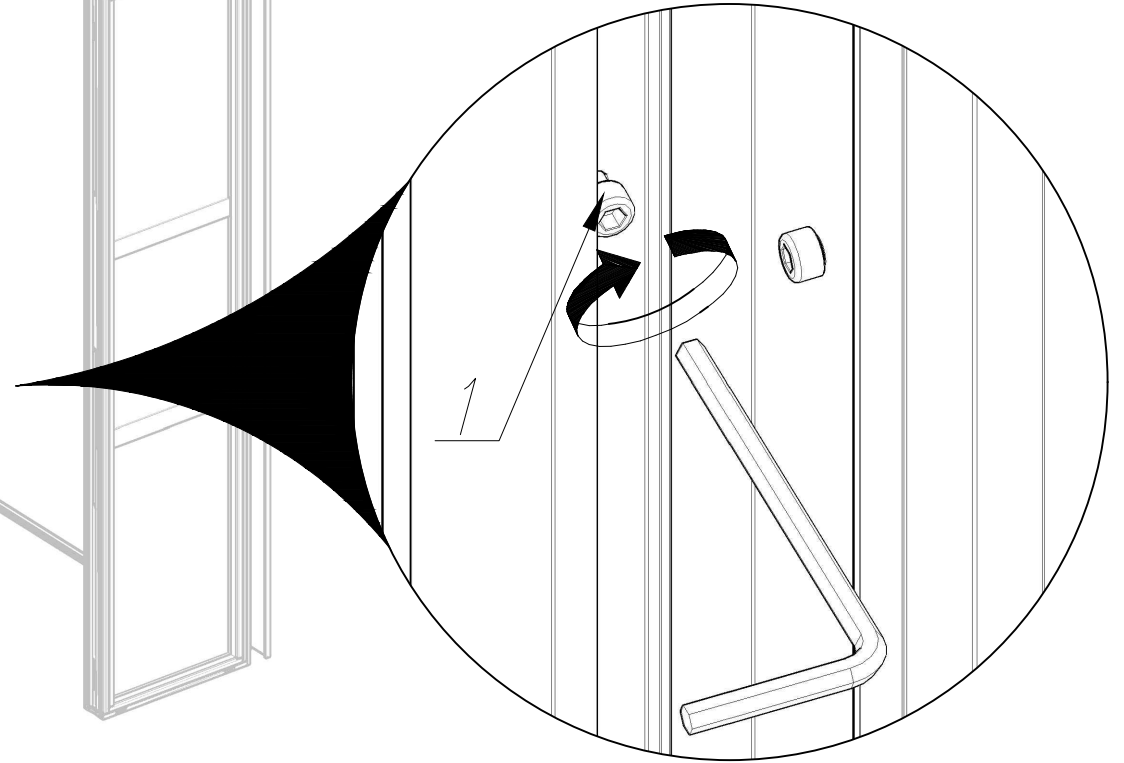
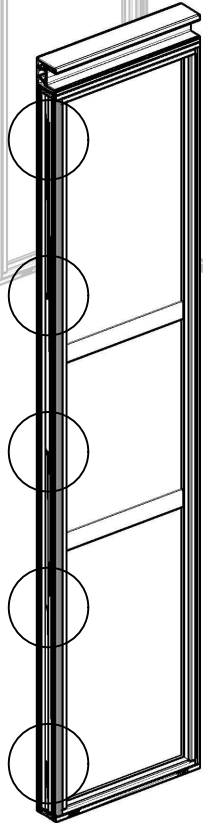
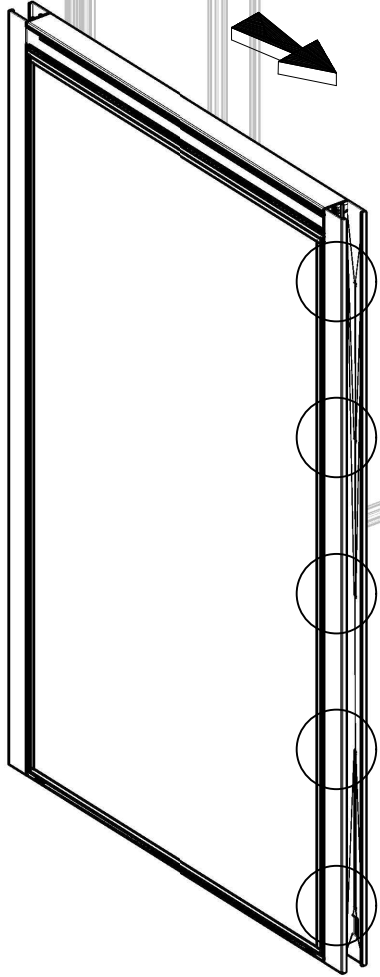
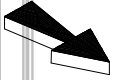
4



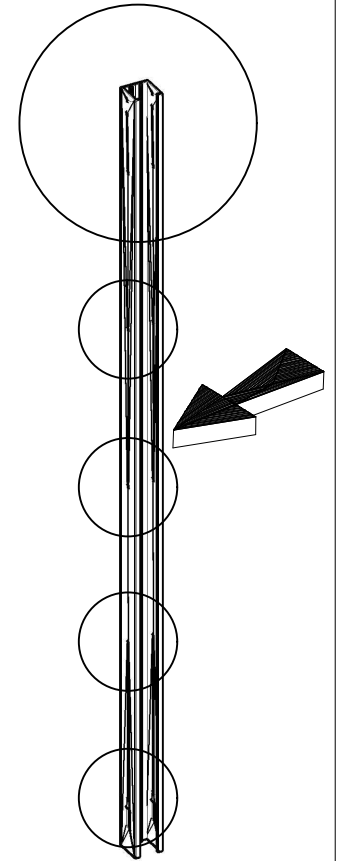
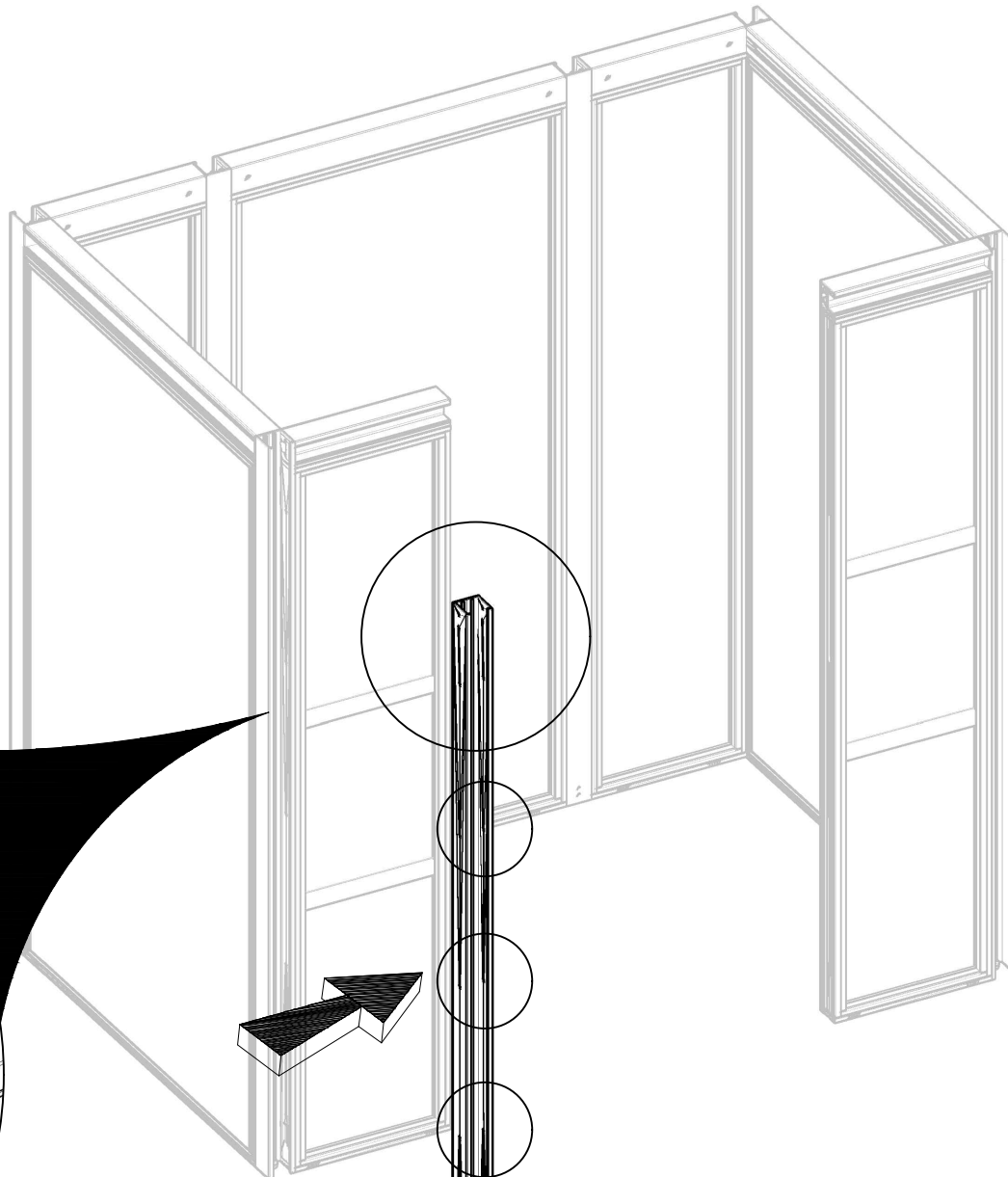
B



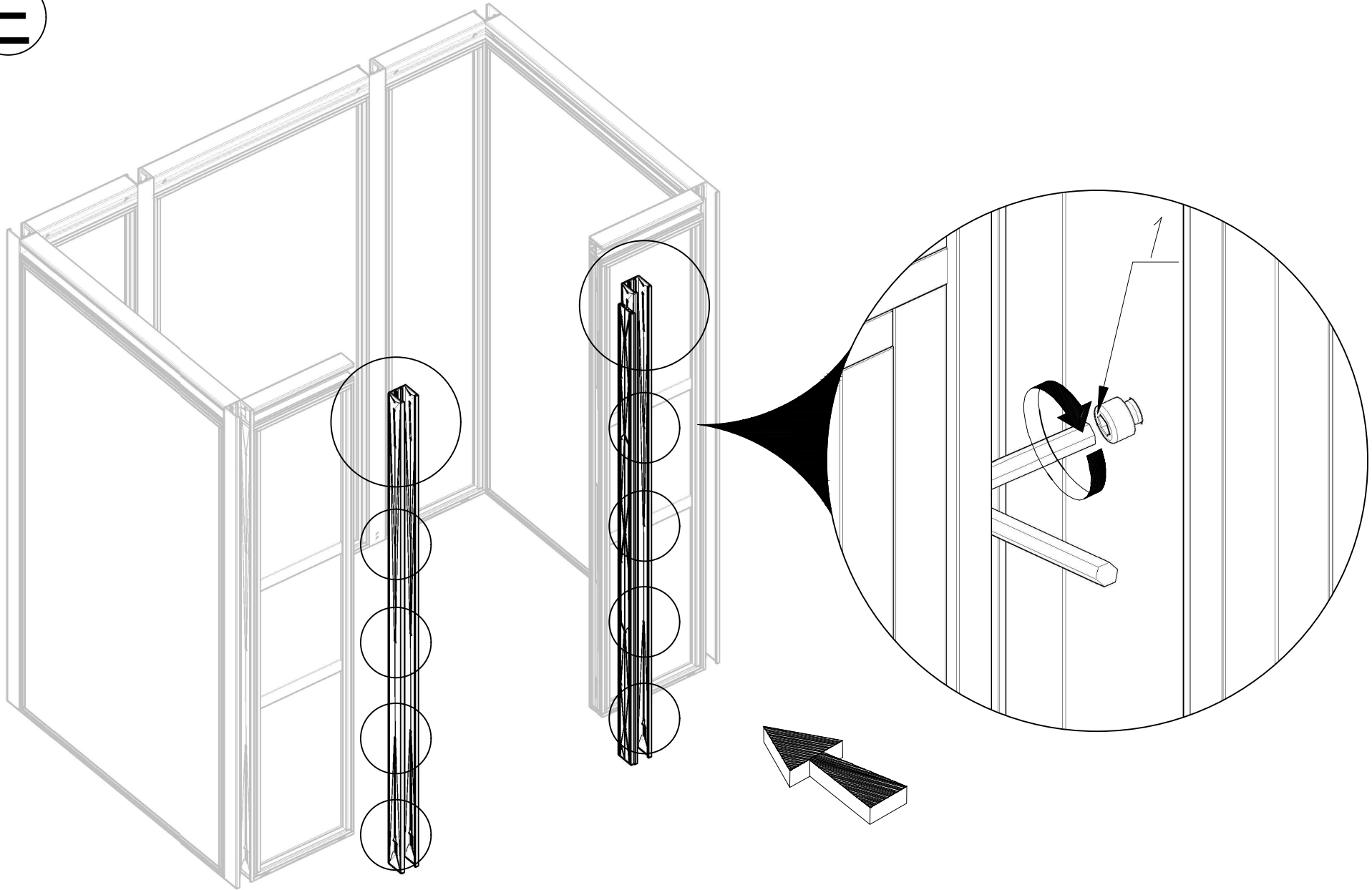
C



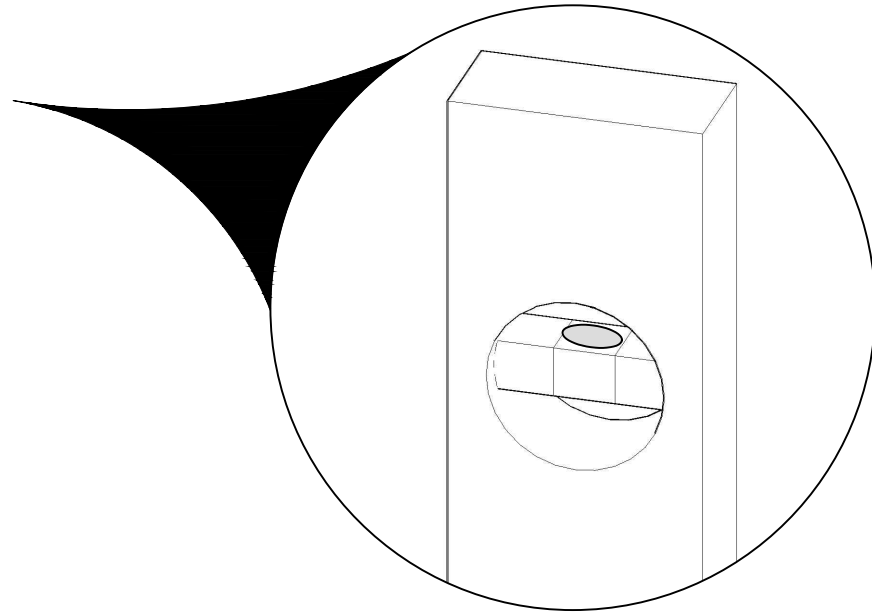
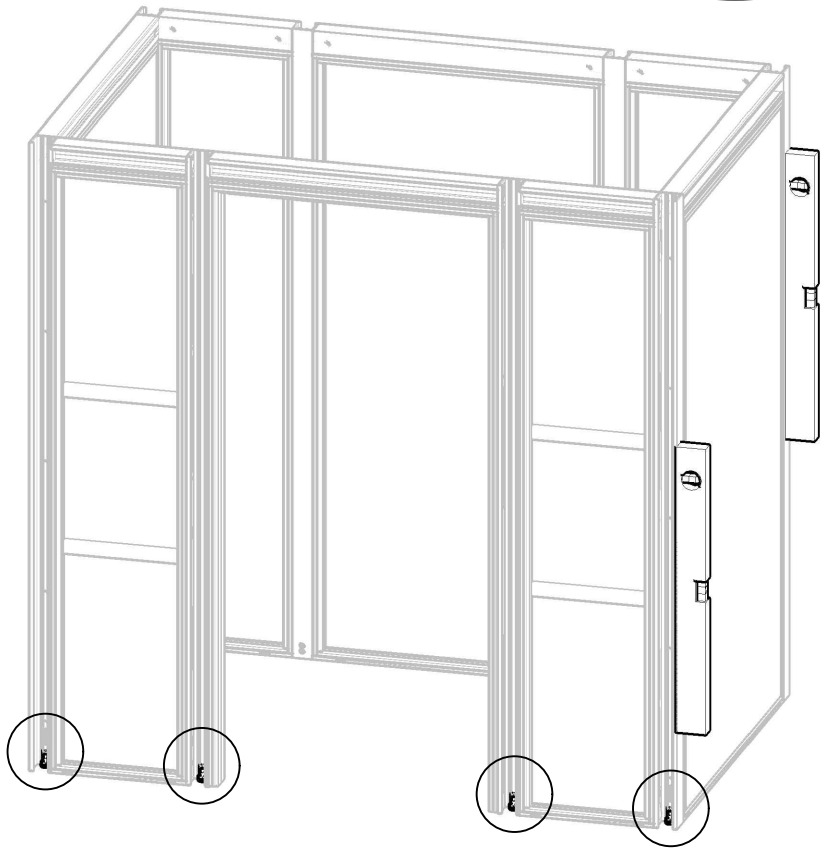
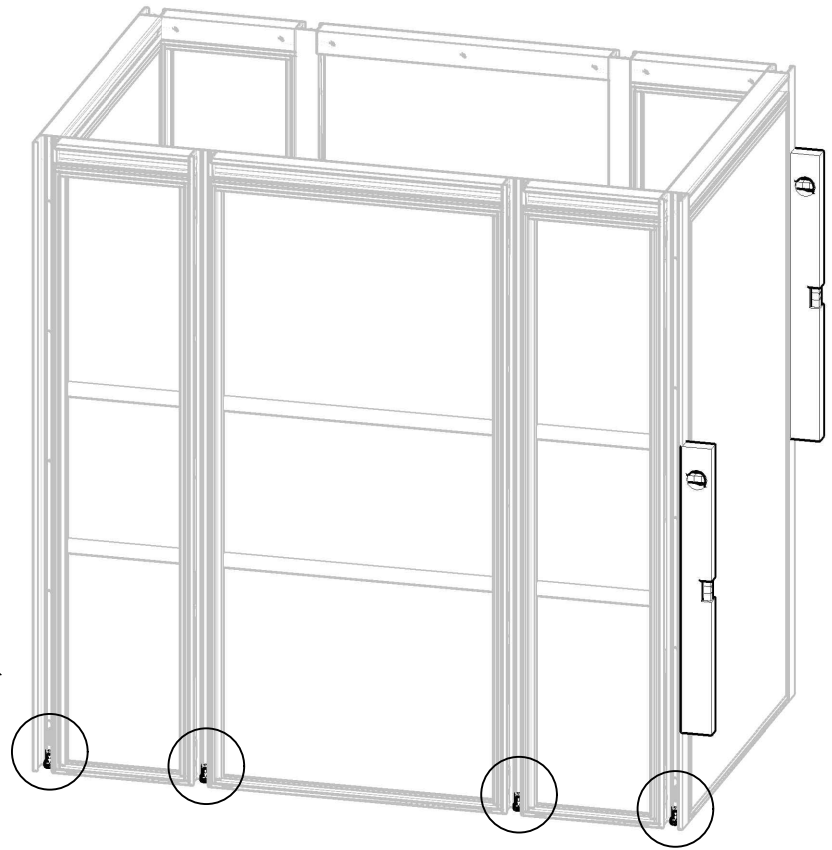
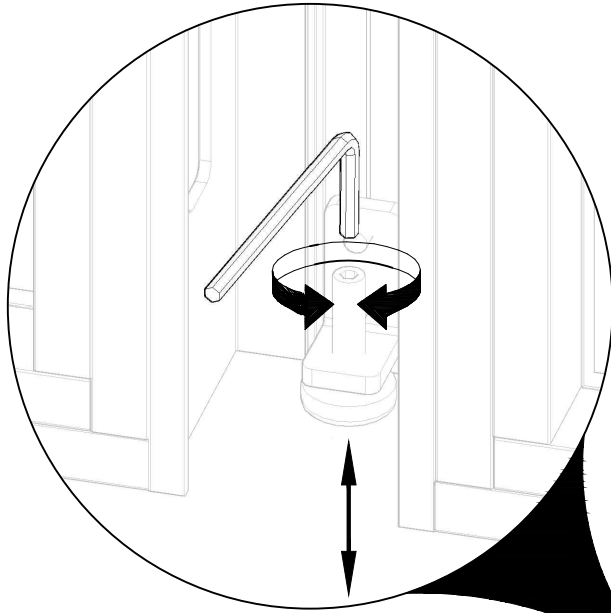
D



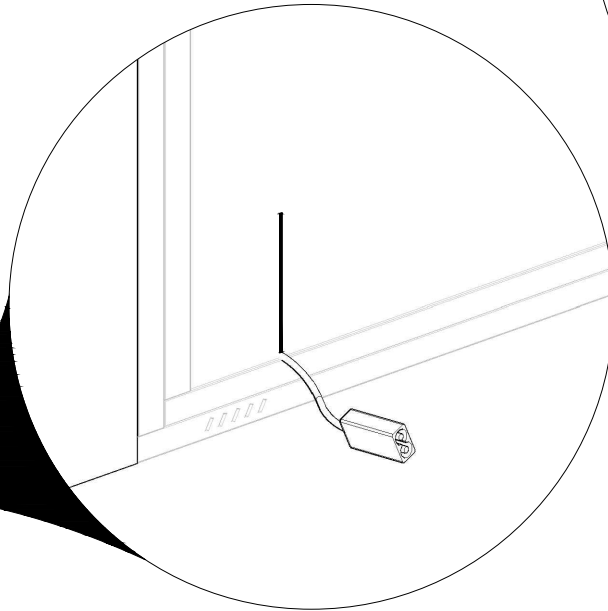
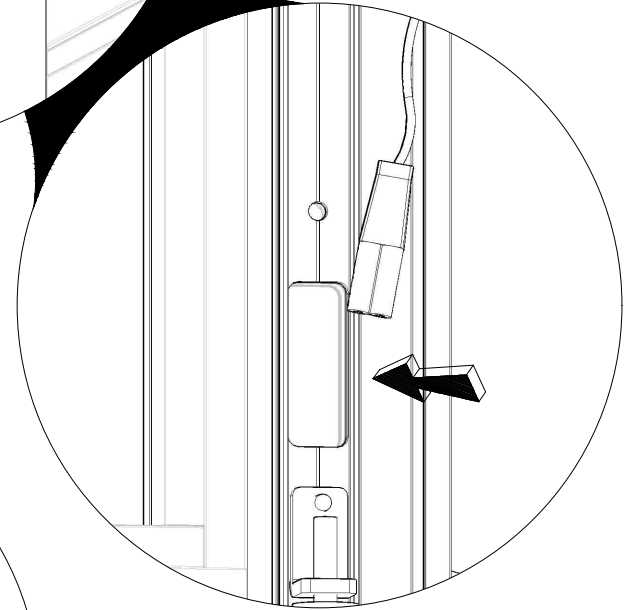
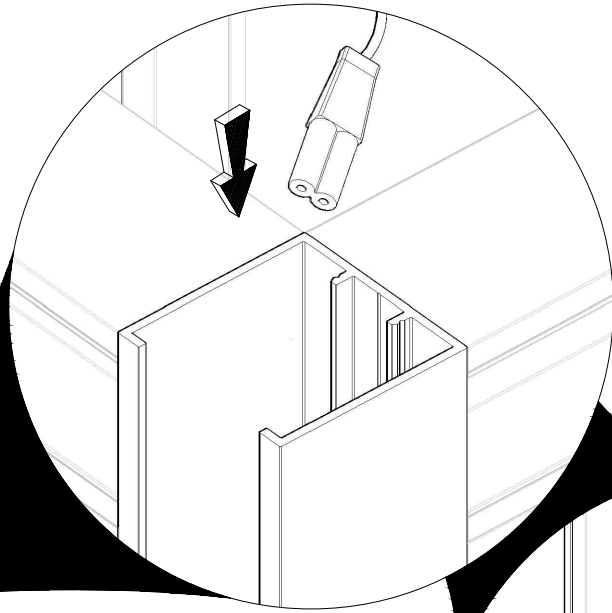
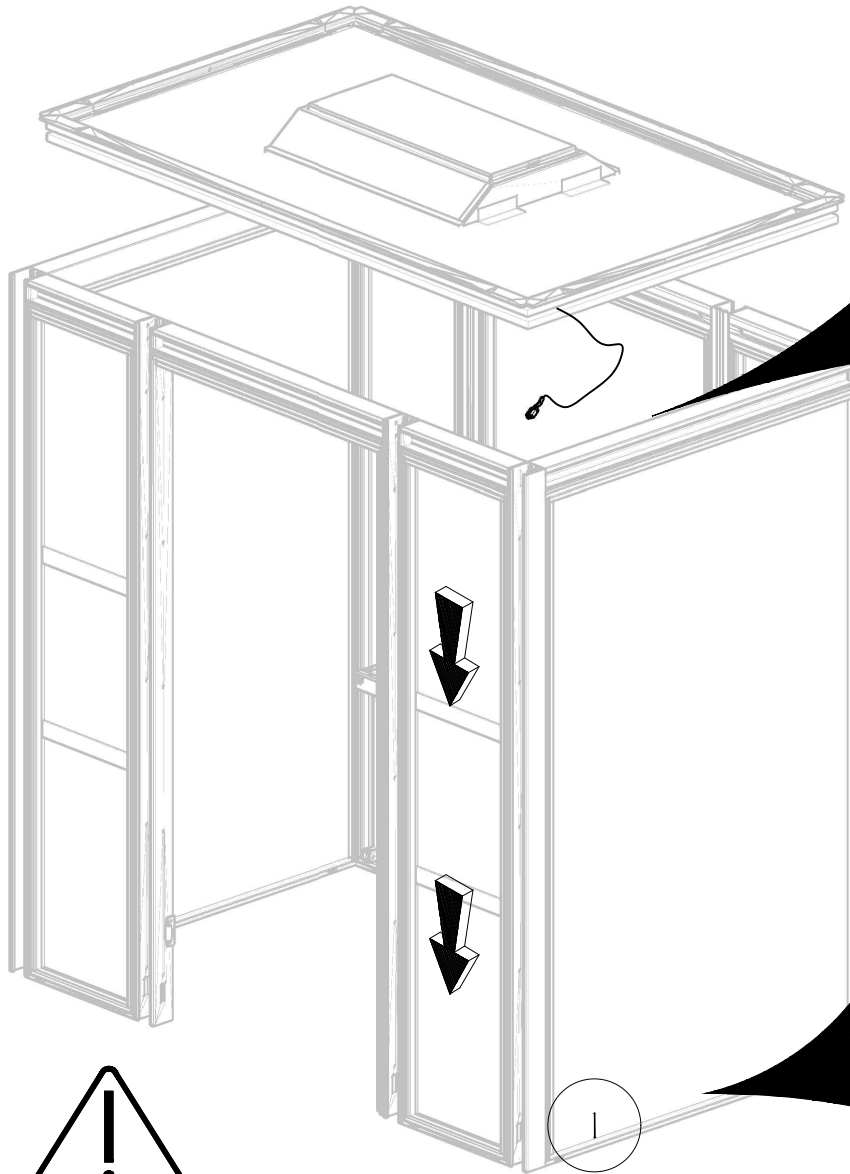
E



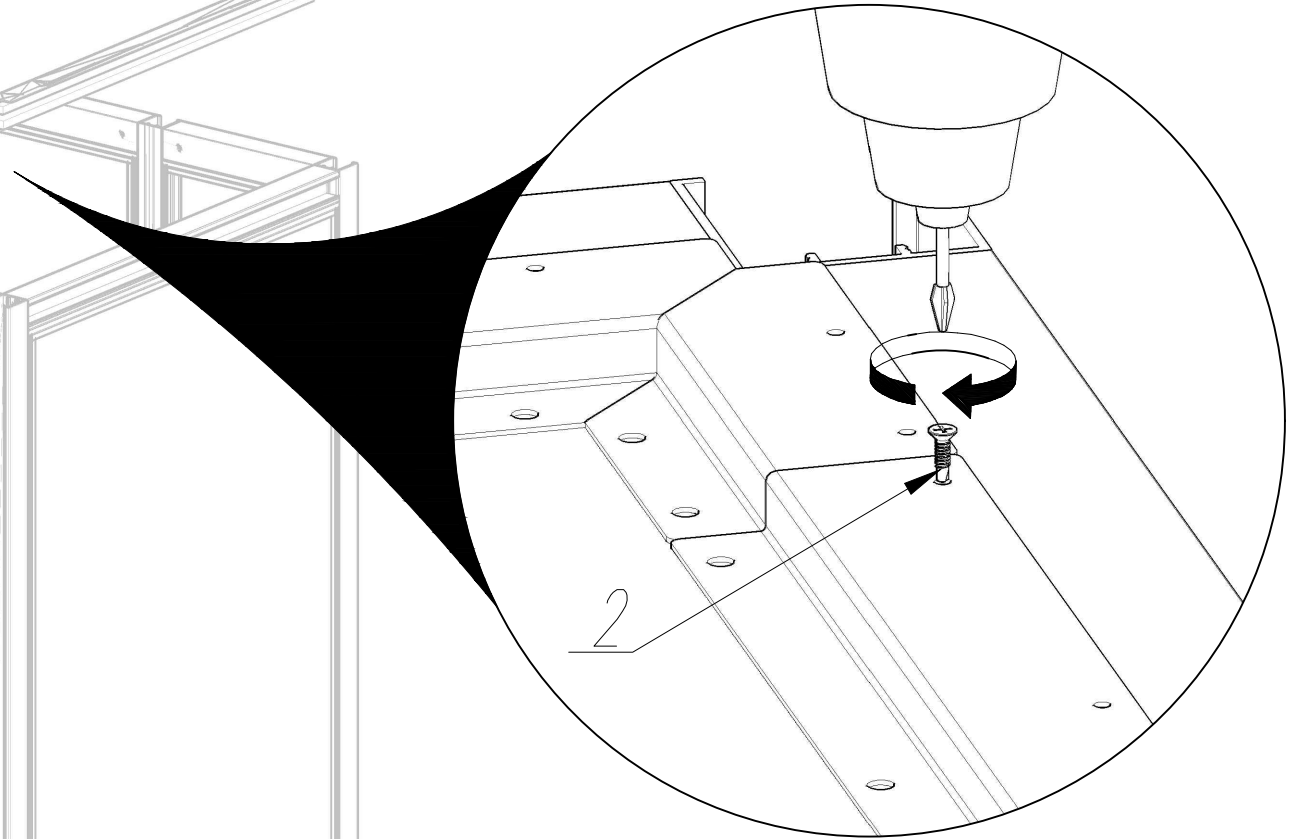
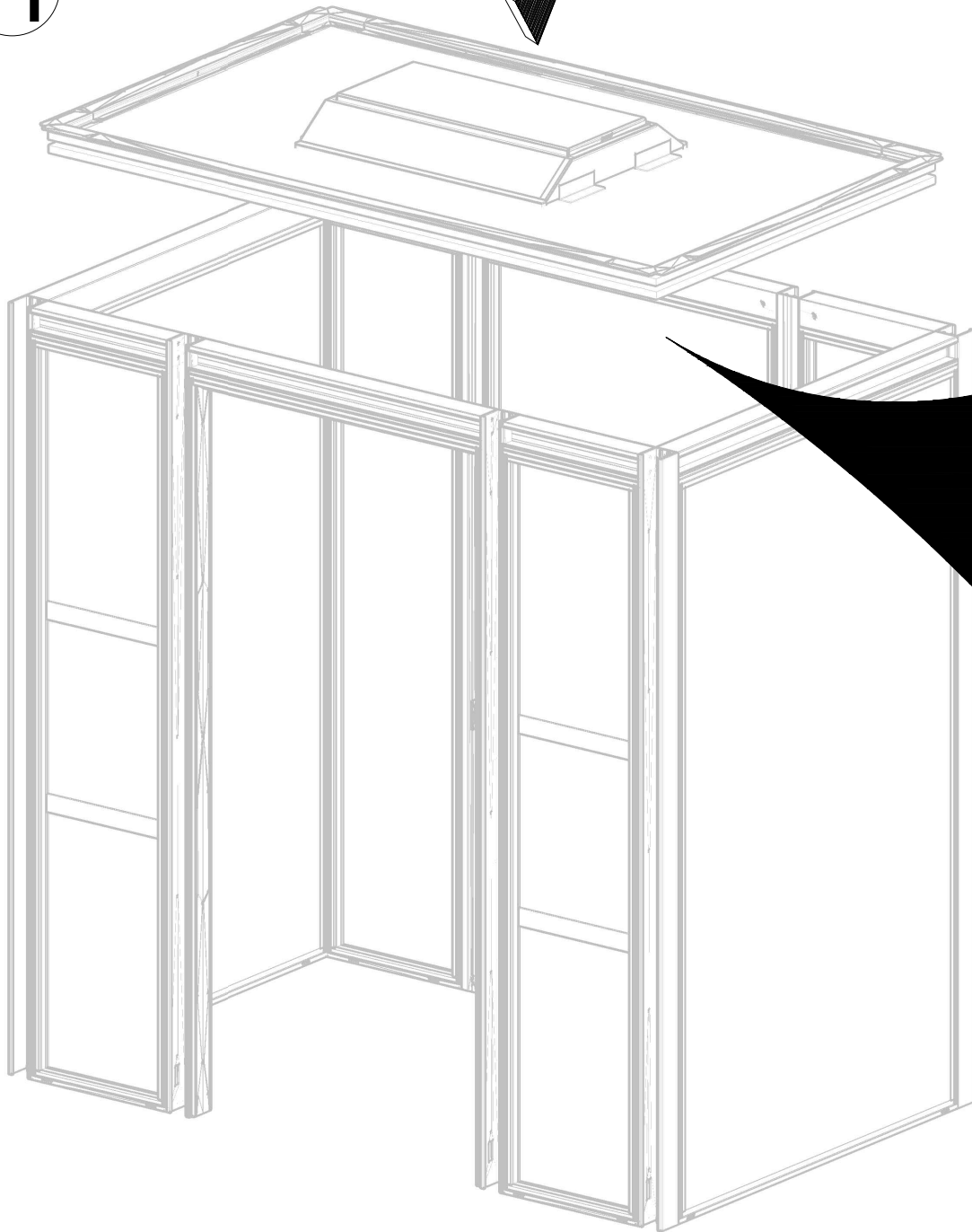
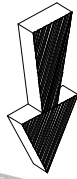
F



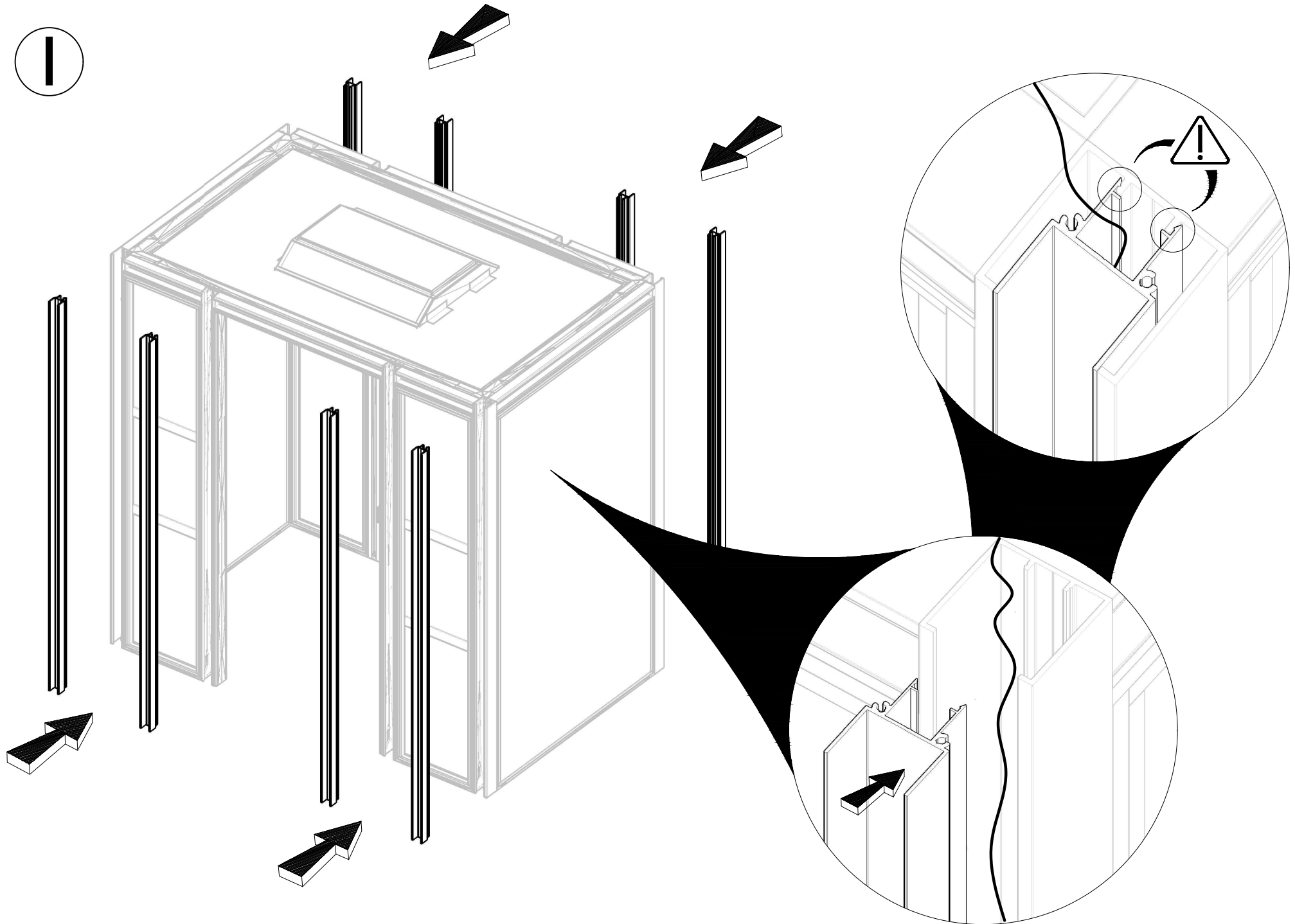
G



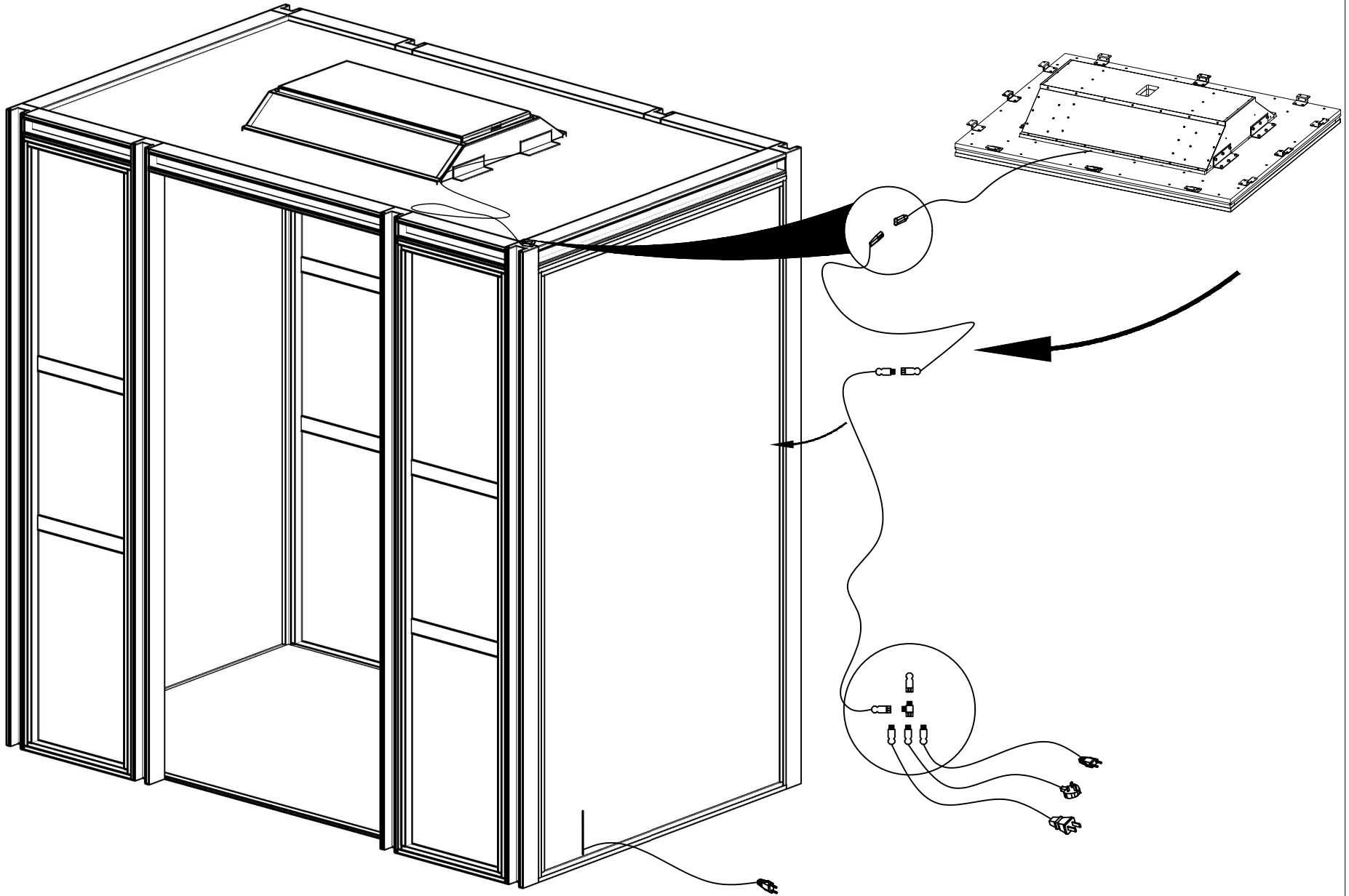
H



1

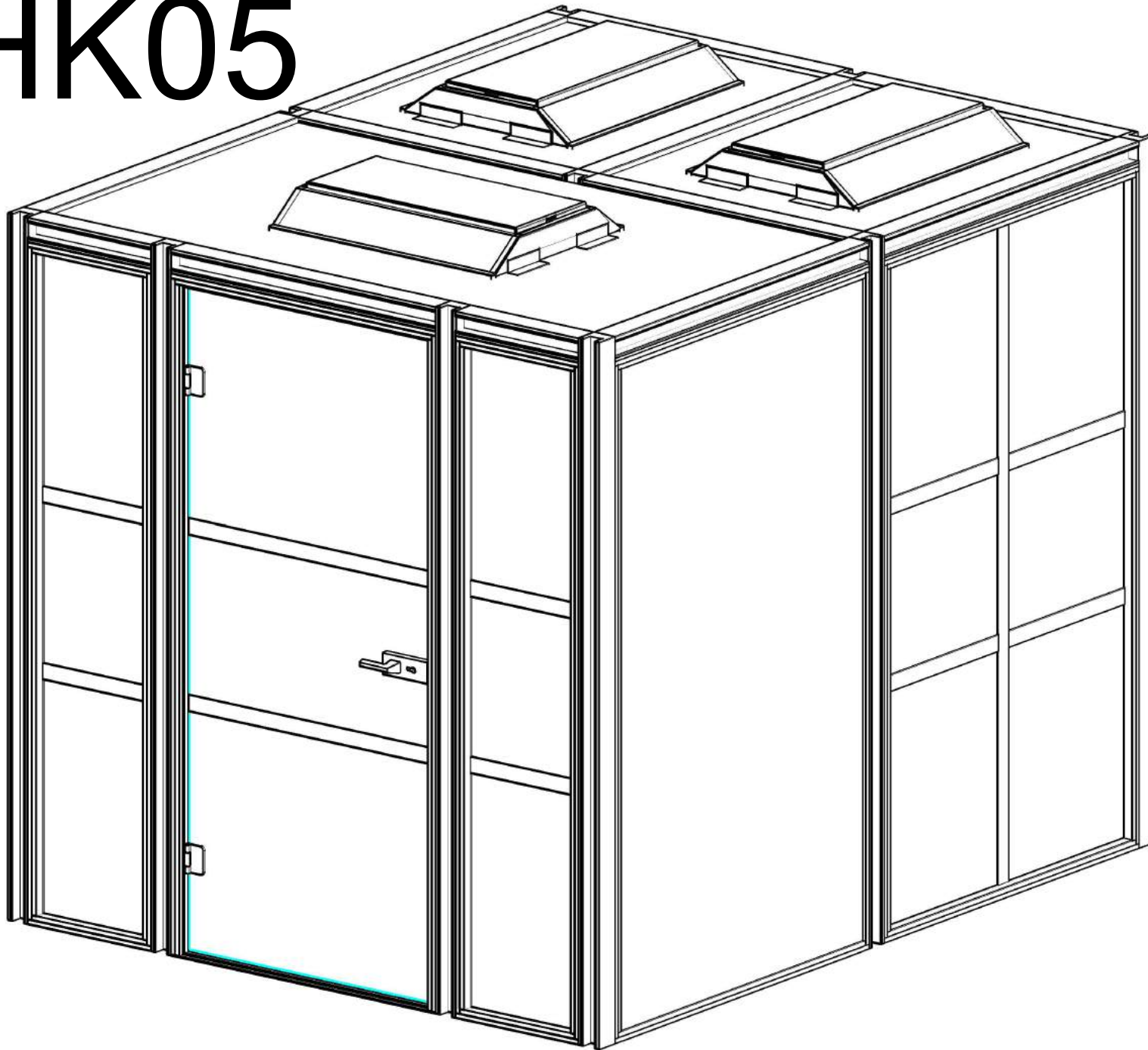


J



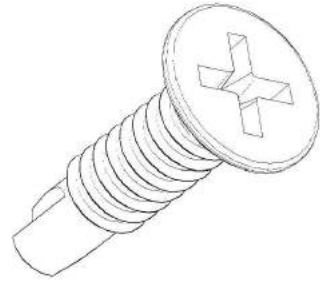
HK05

.mdd

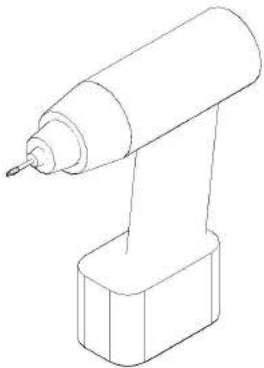
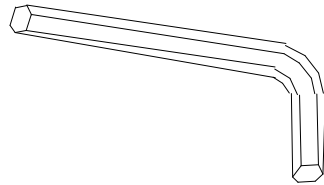




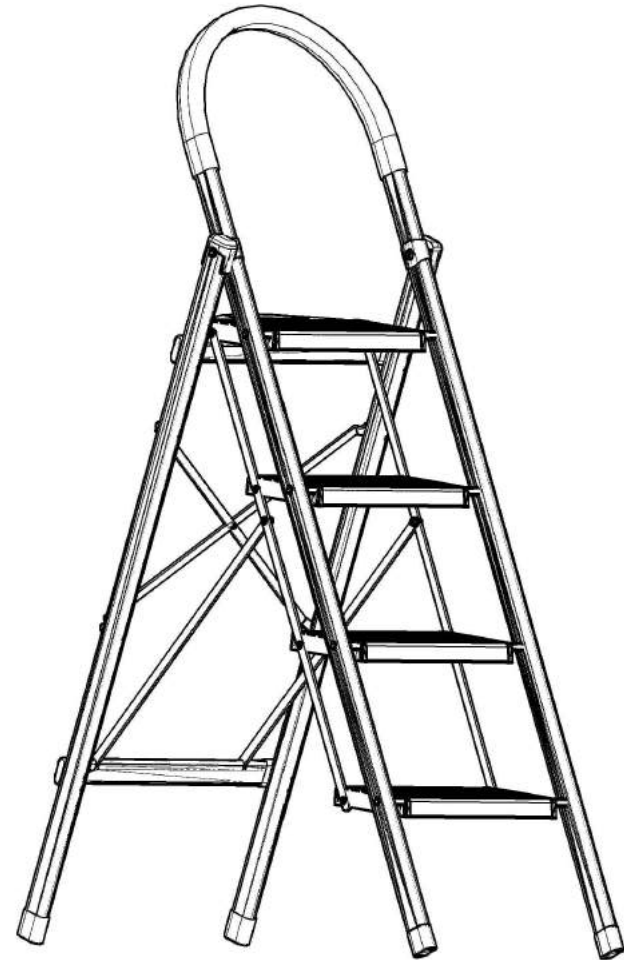
M6x16

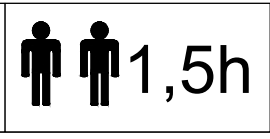
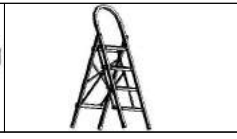
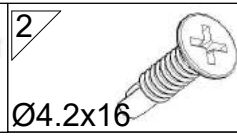
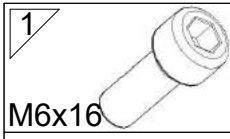


Ø4.2x16



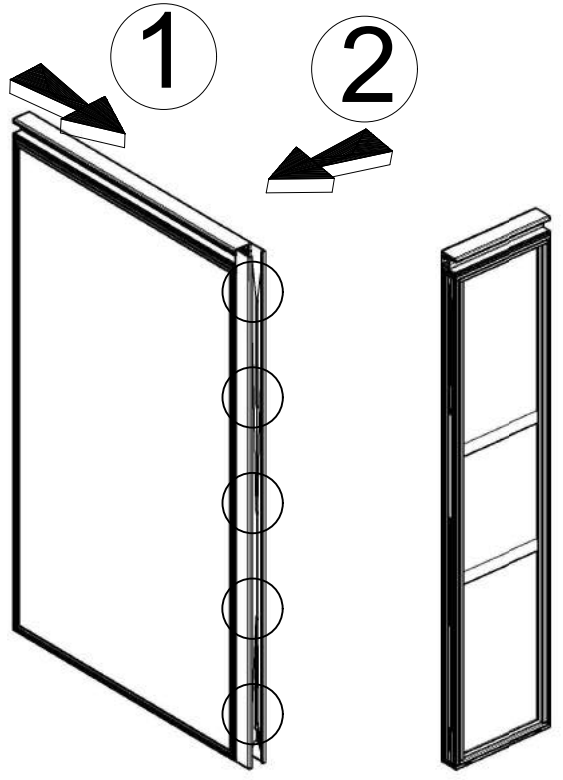
MIN 1,5M



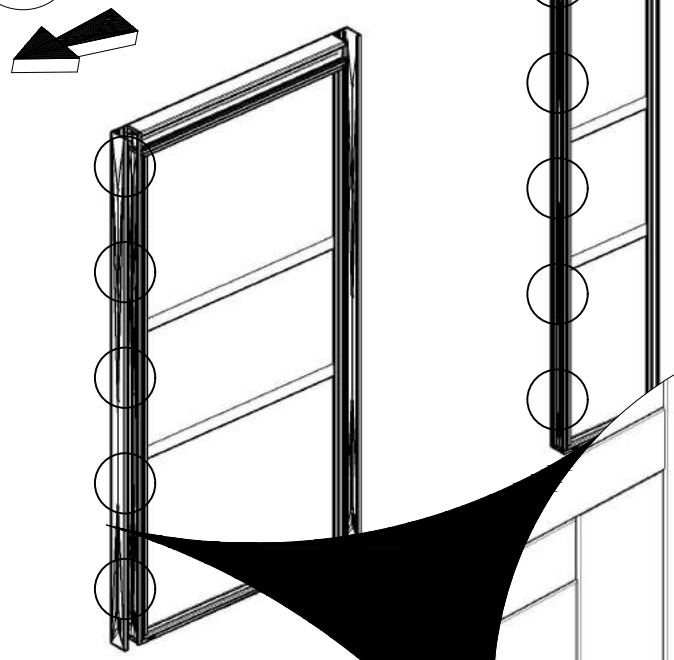


HK05

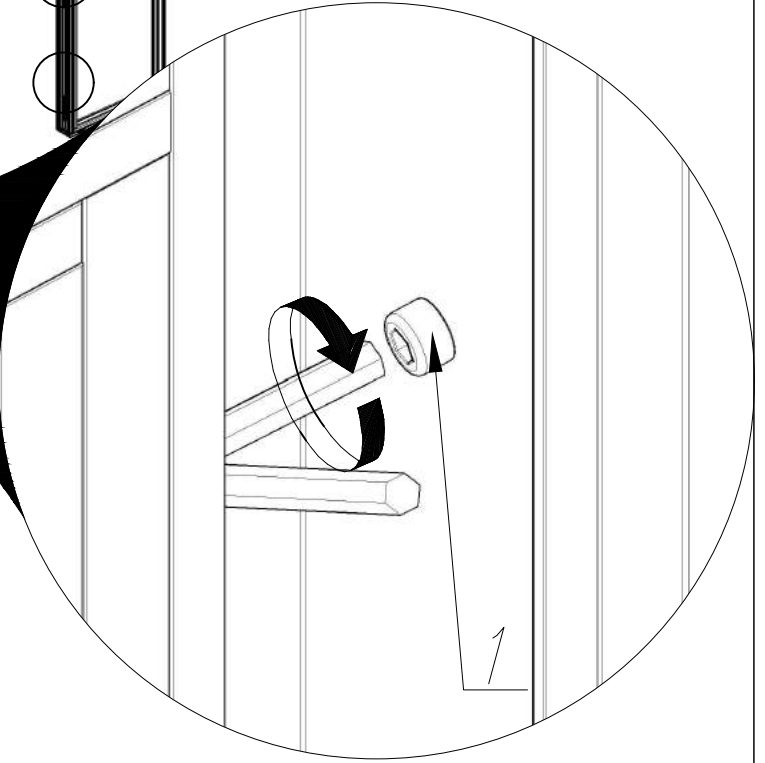
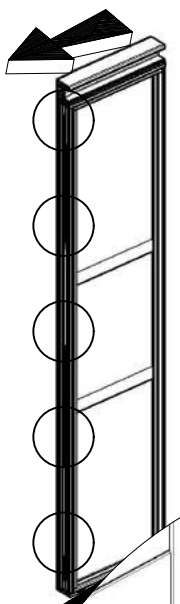
A



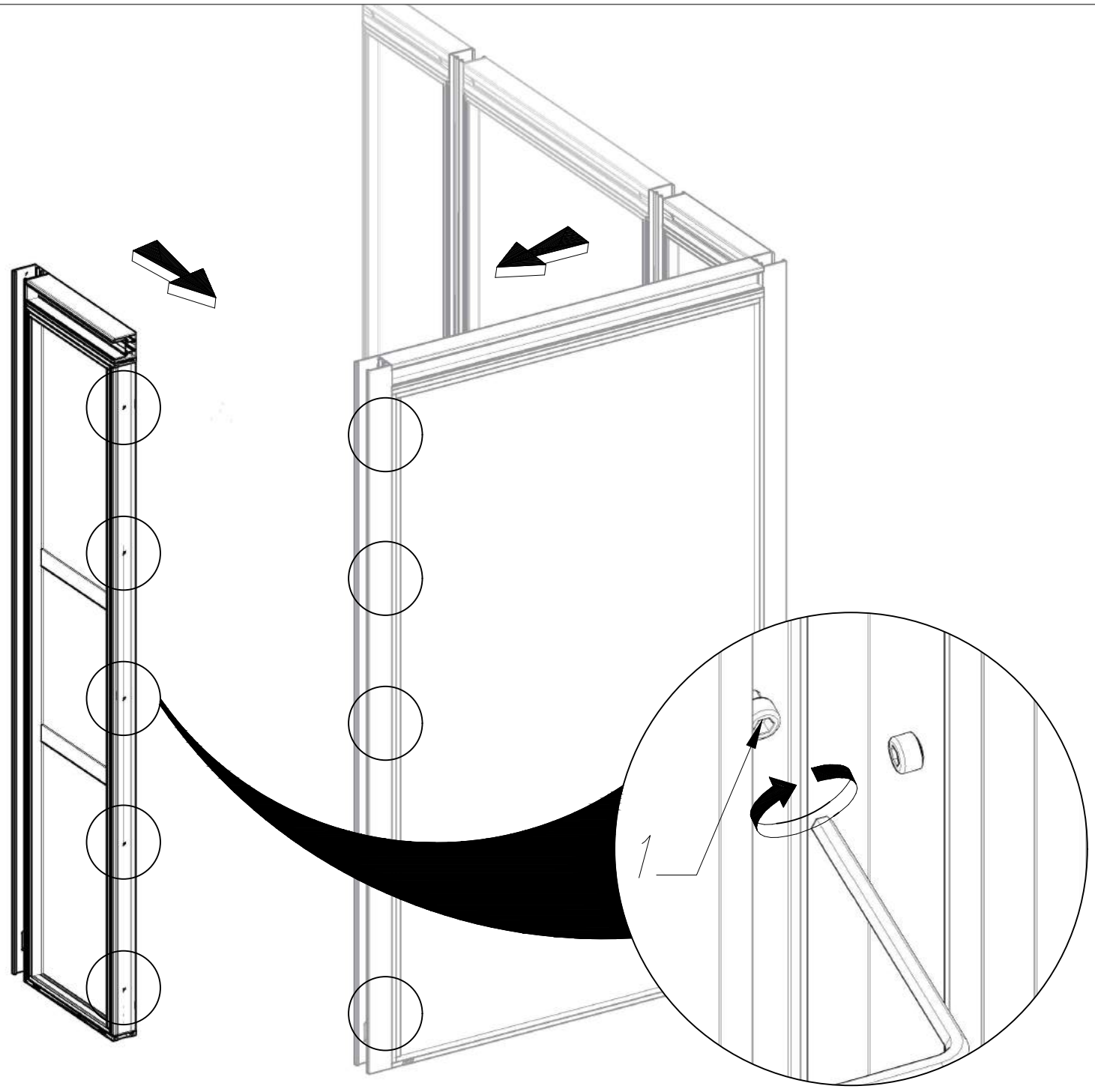
3



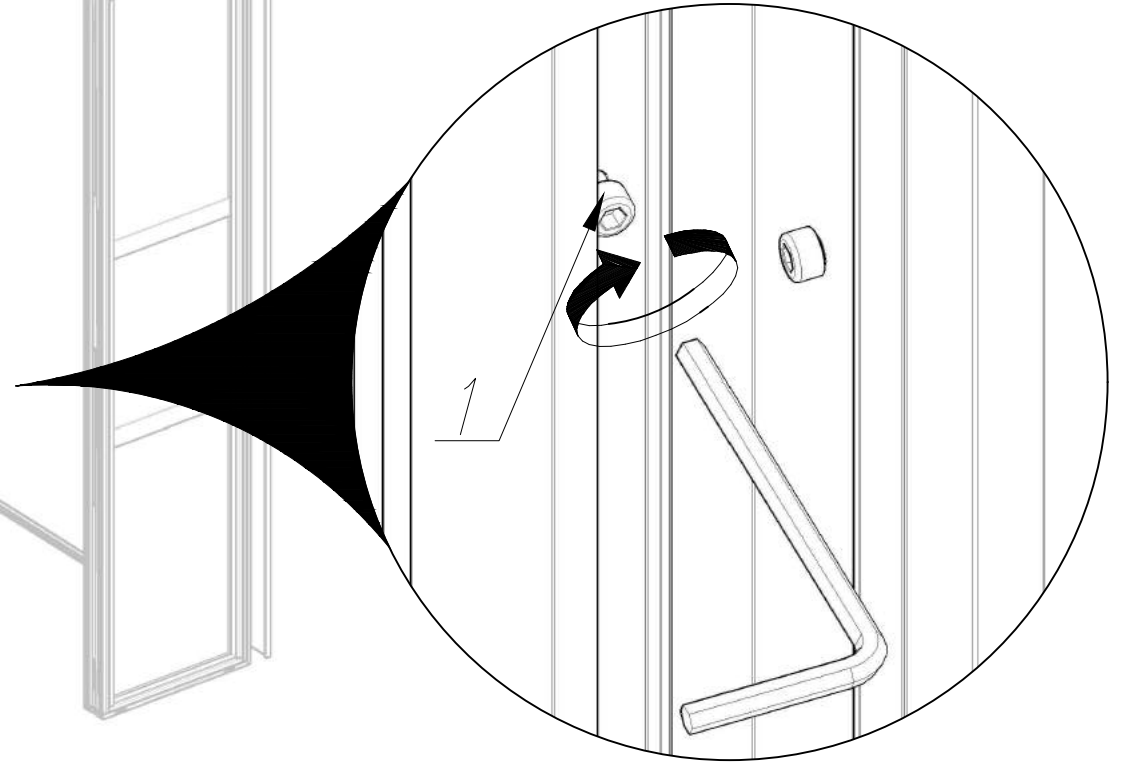
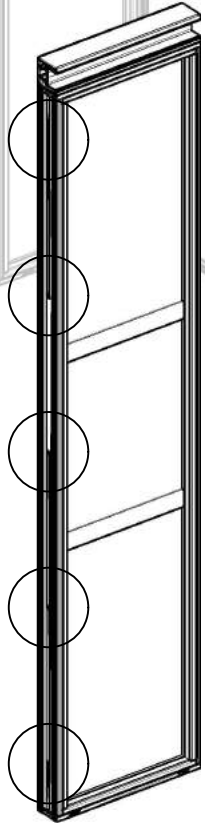
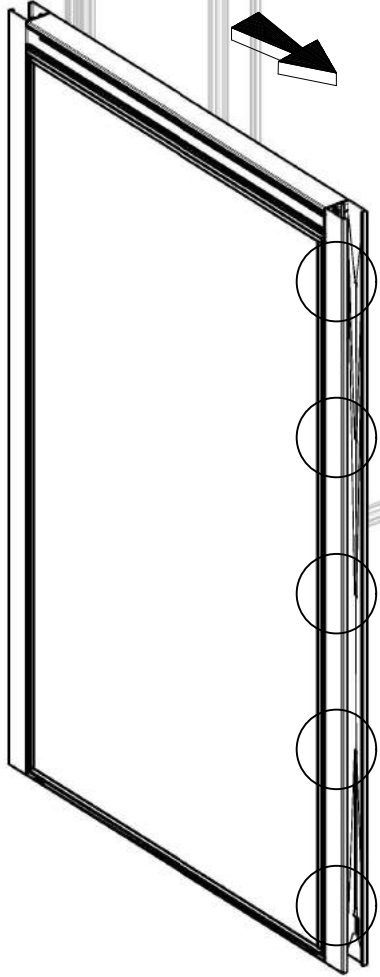
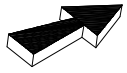
4



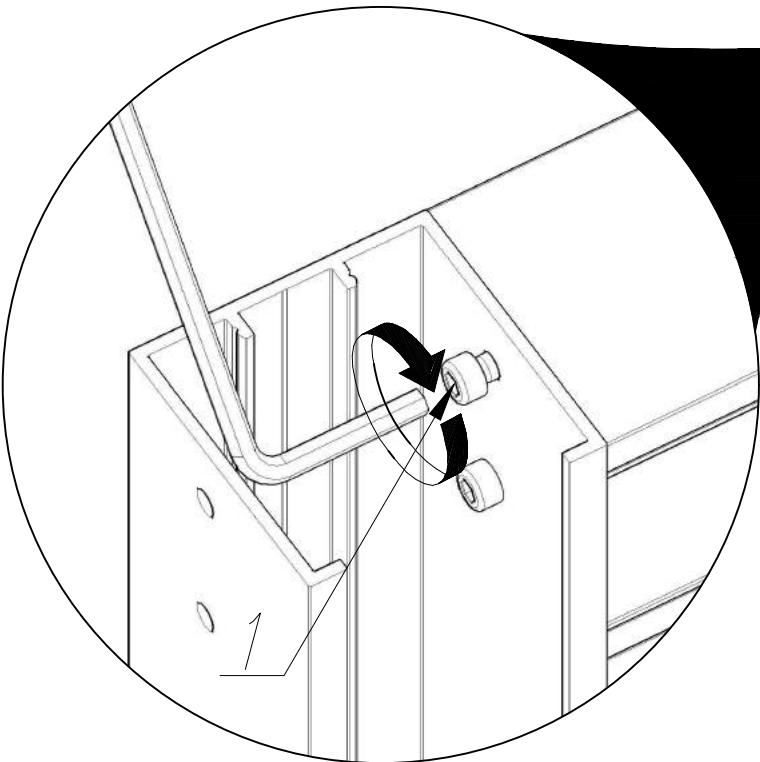
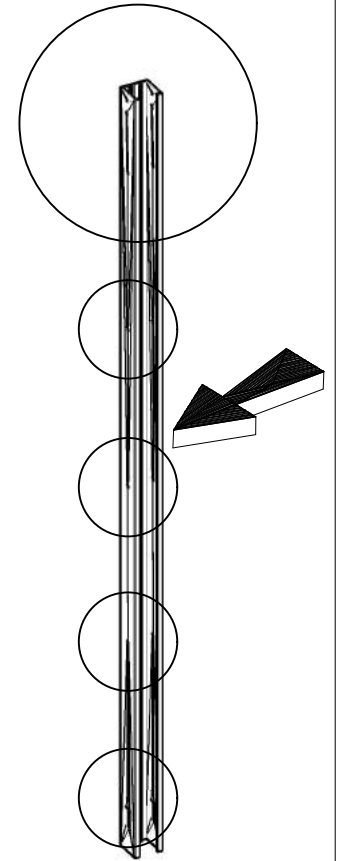
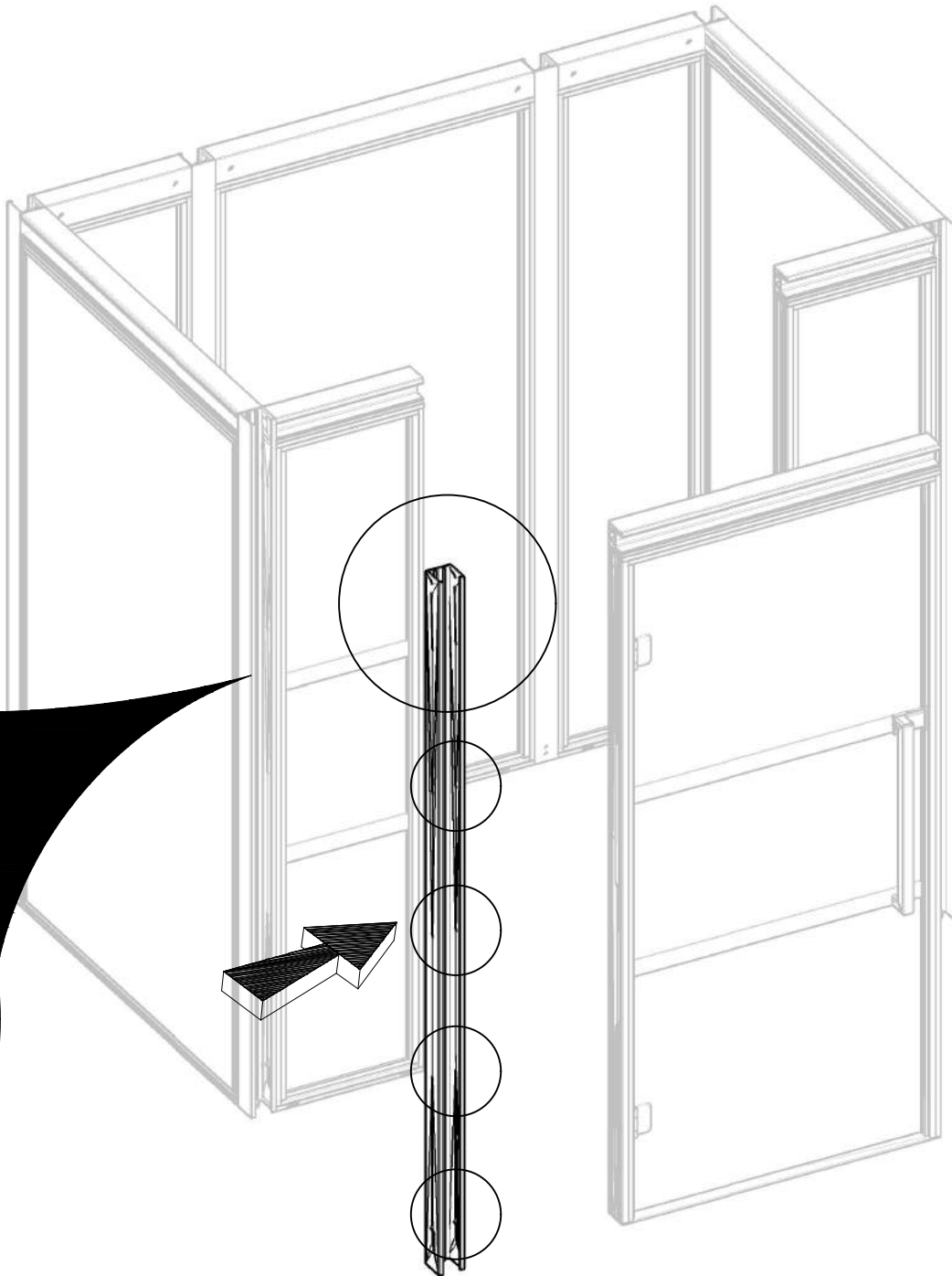
B



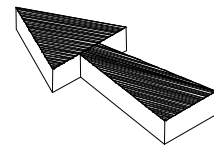
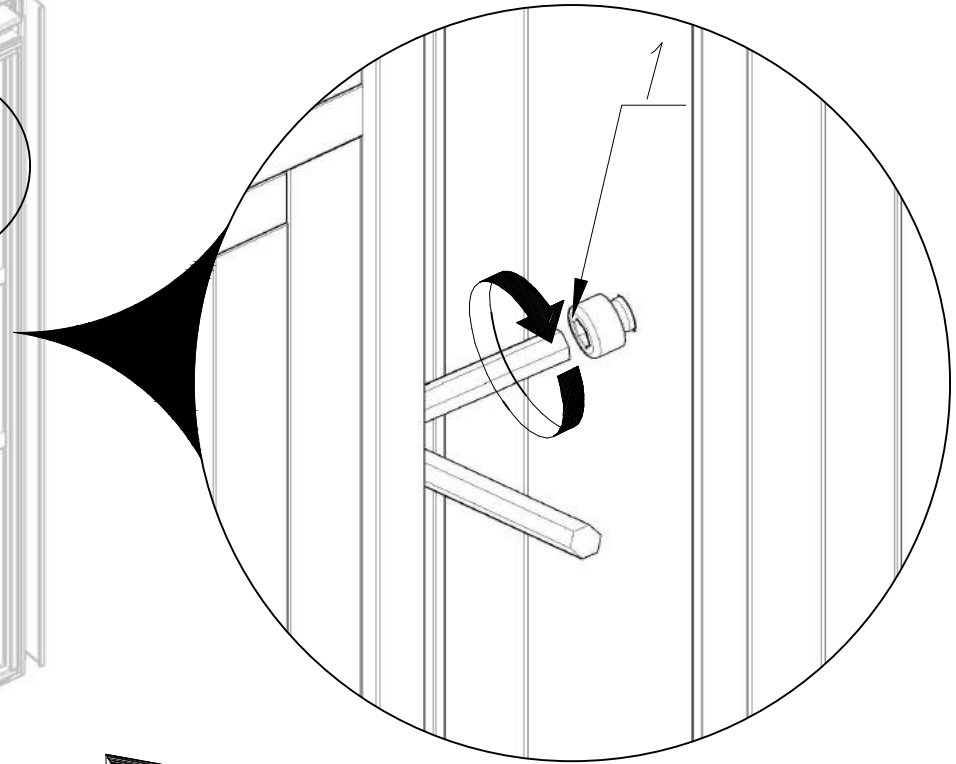
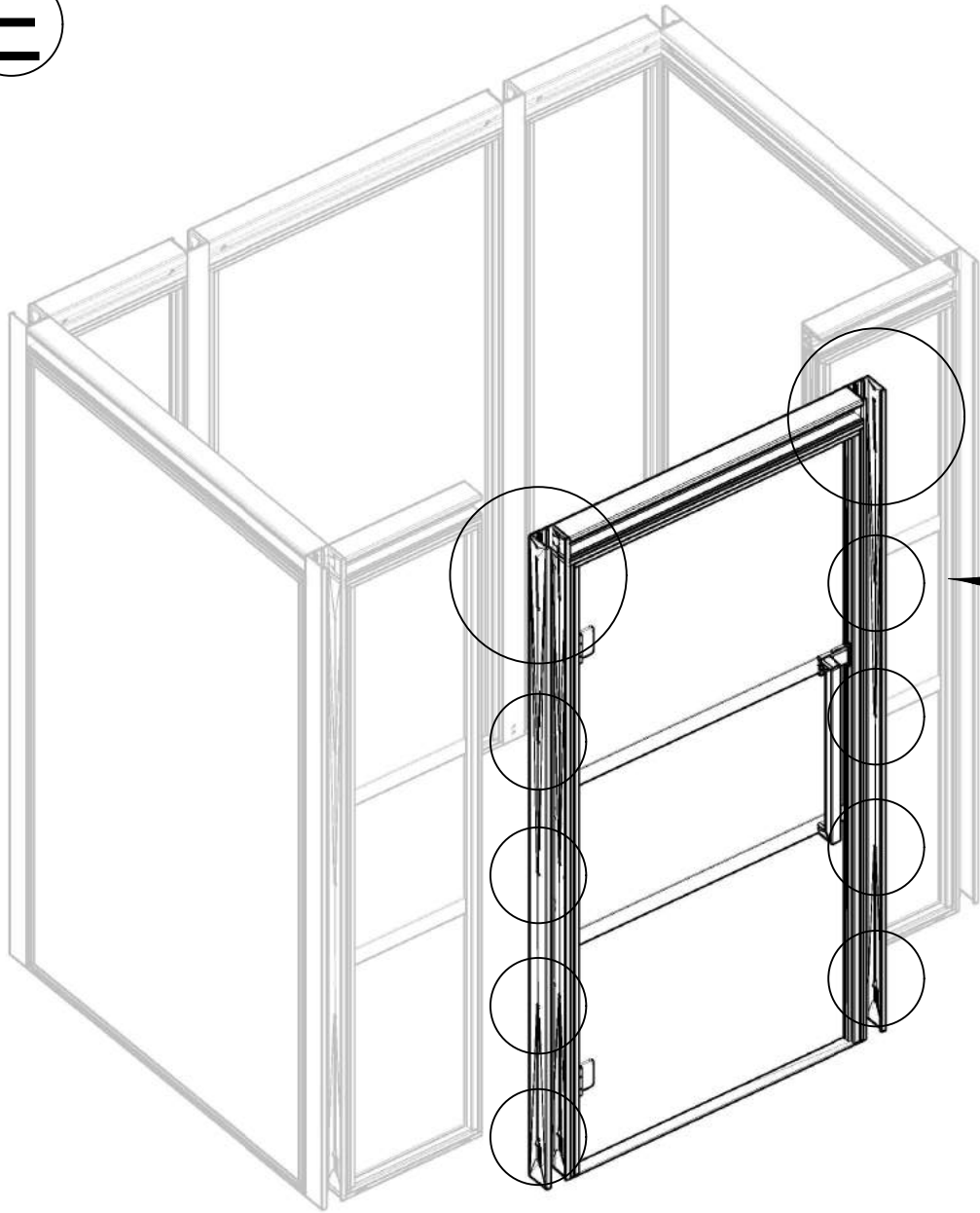
C



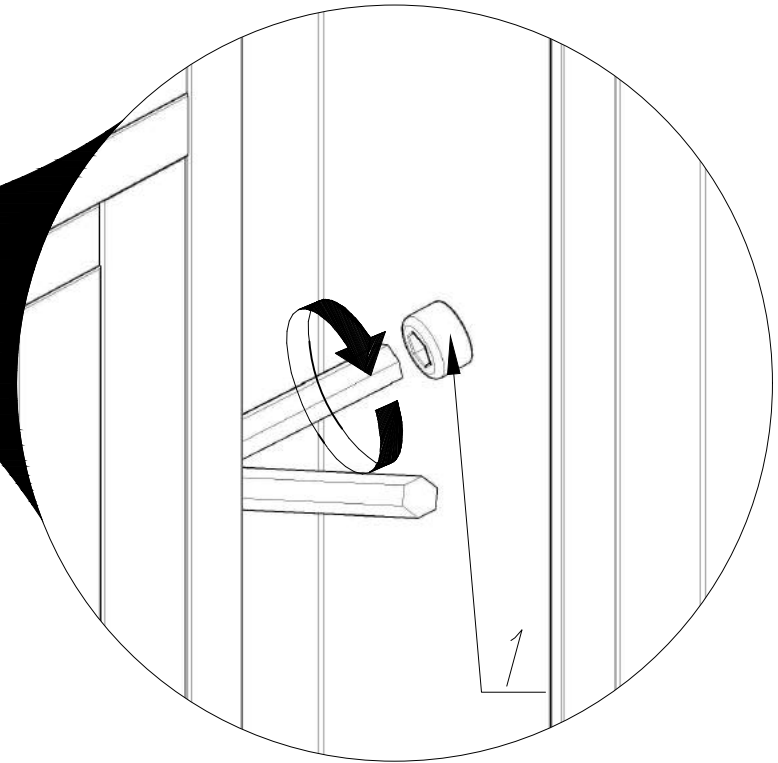
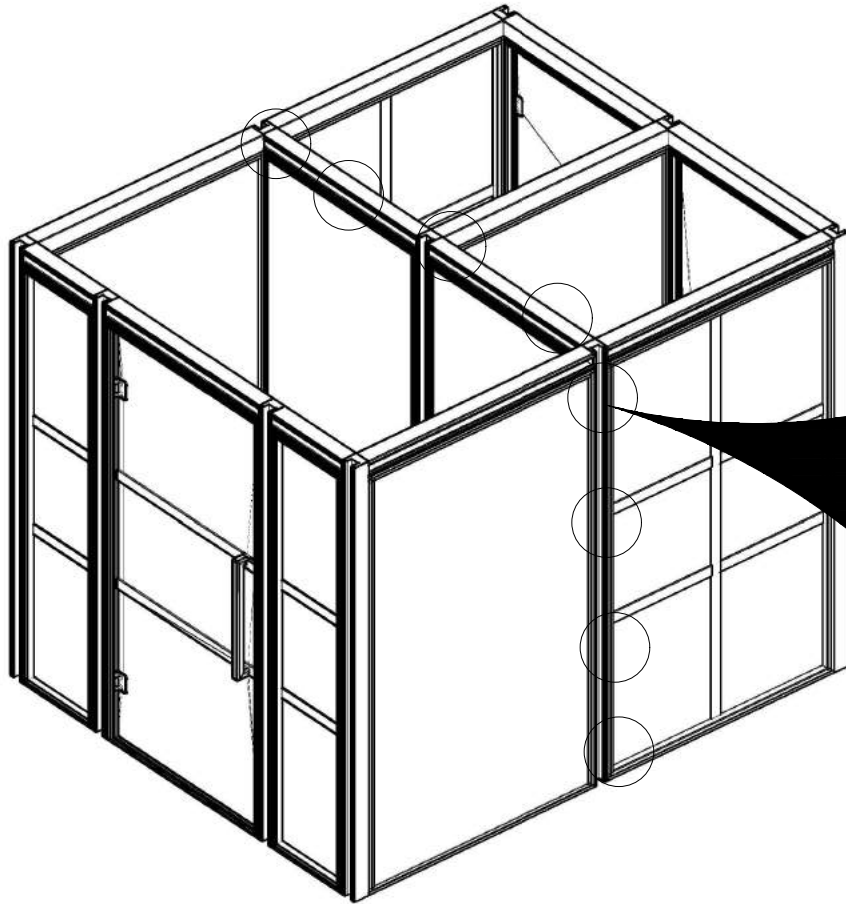
D



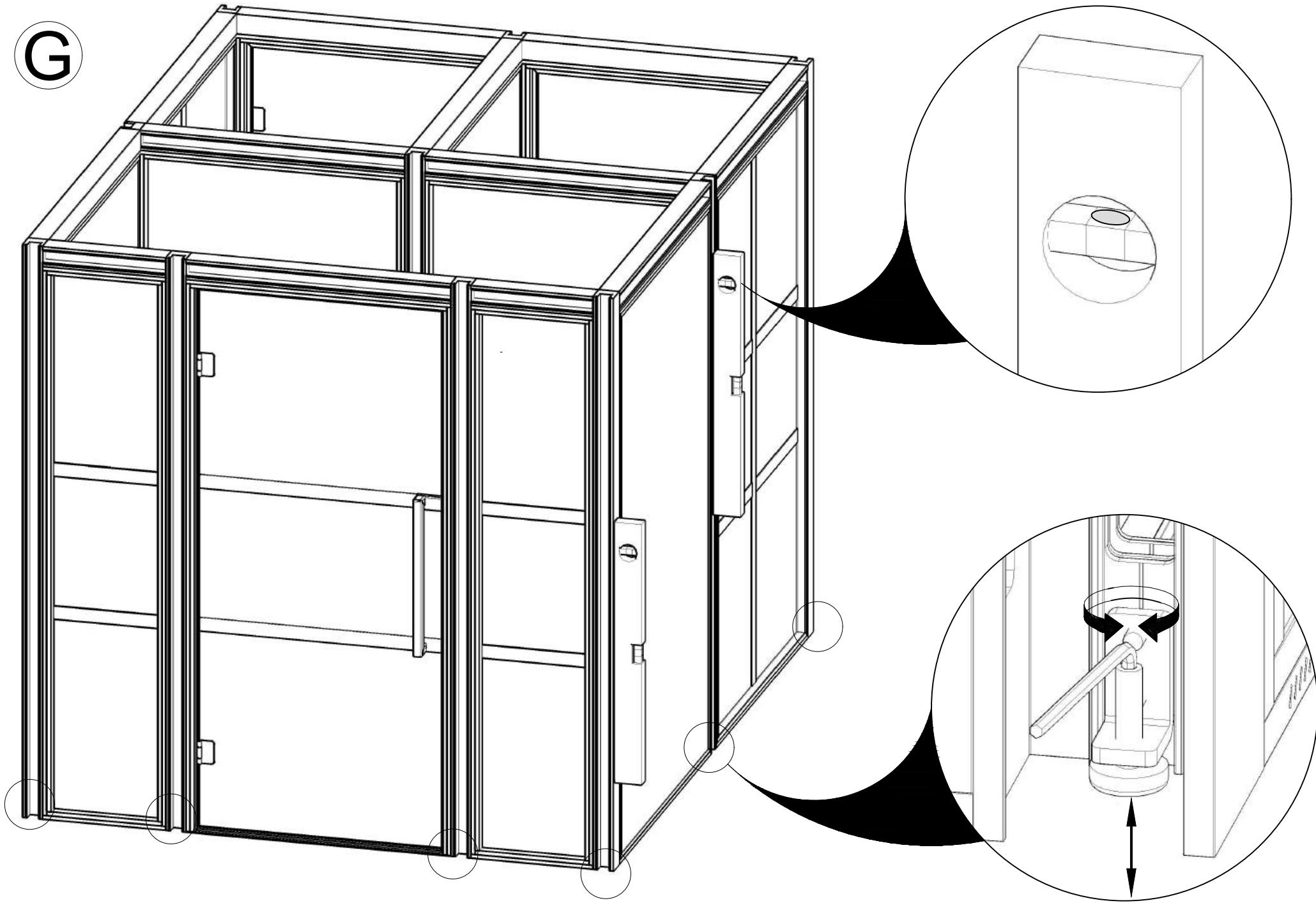
E



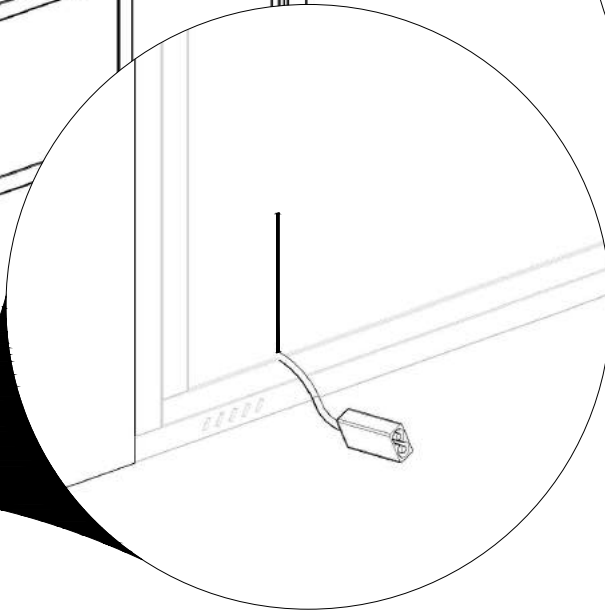
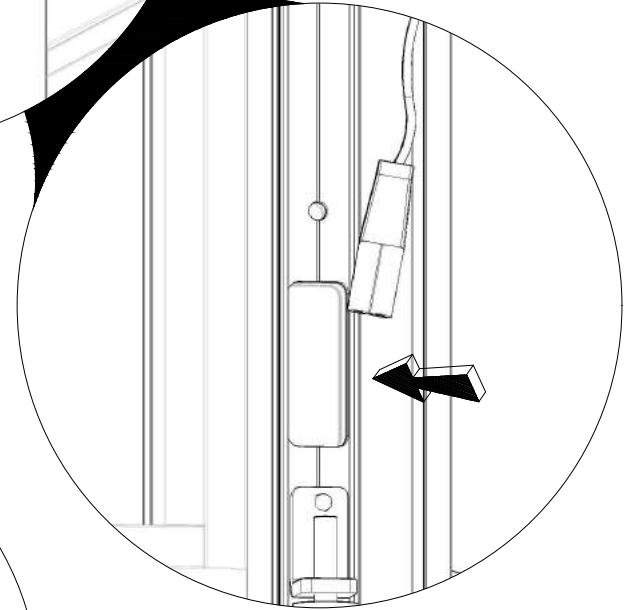
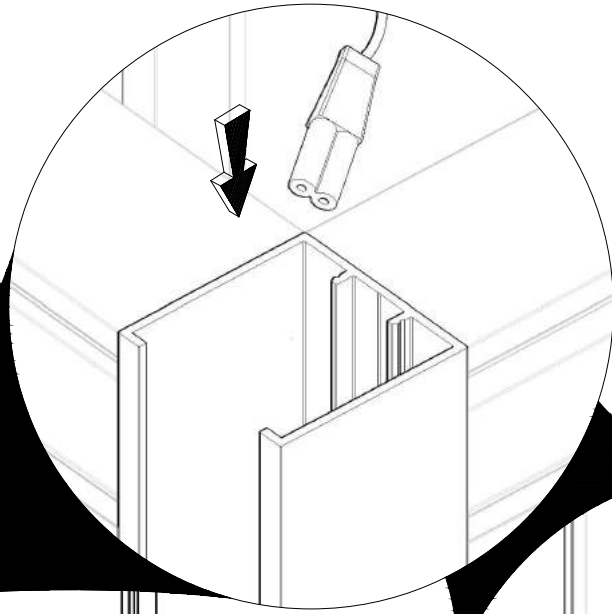
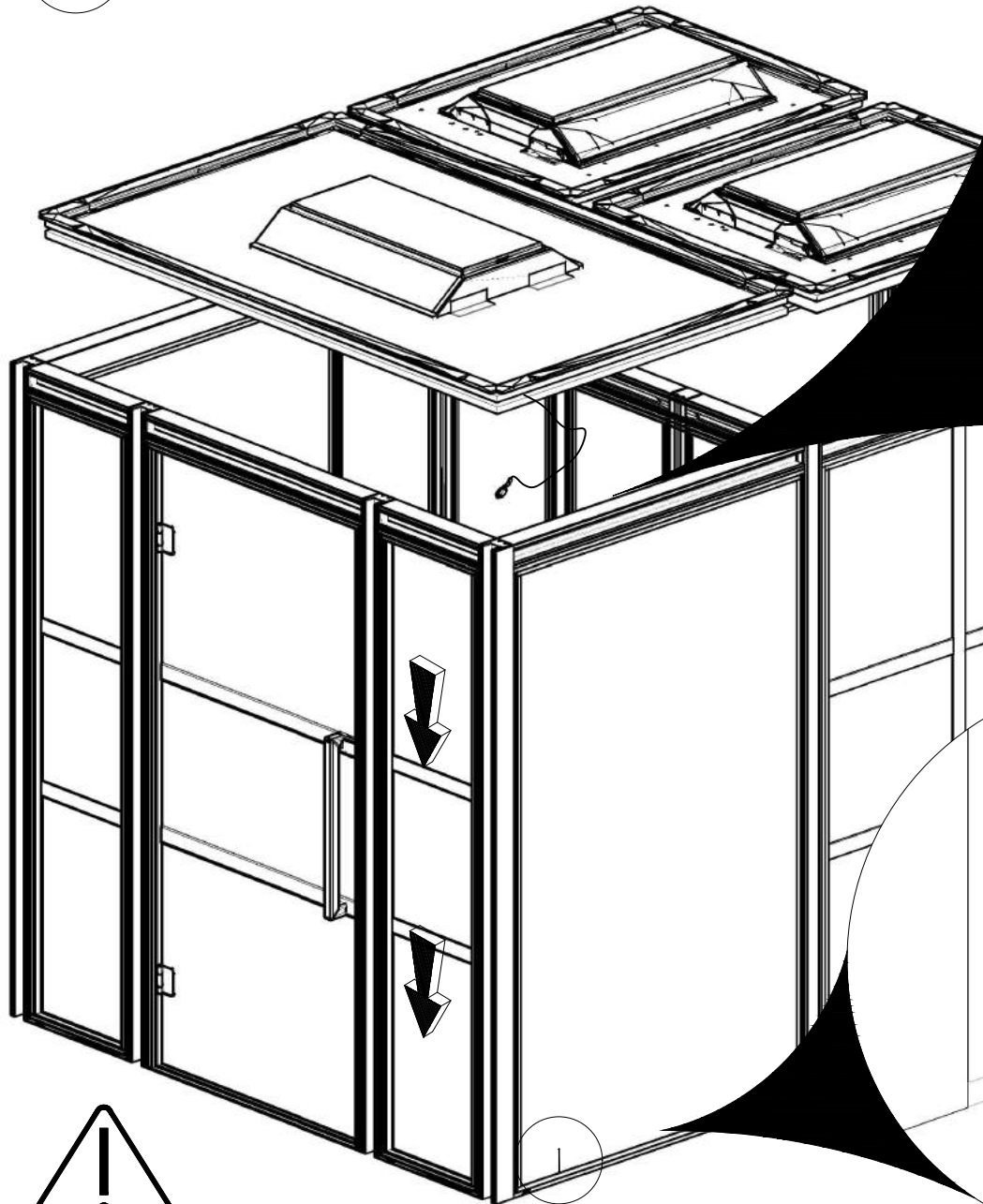
F



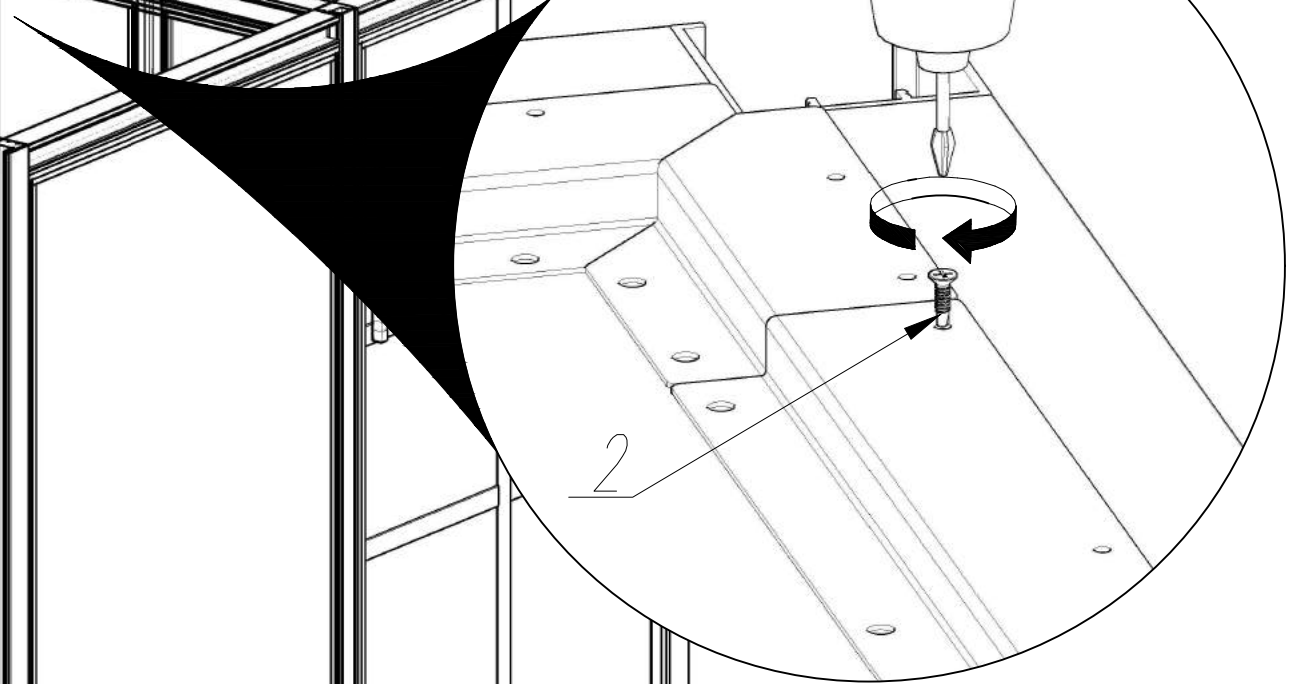
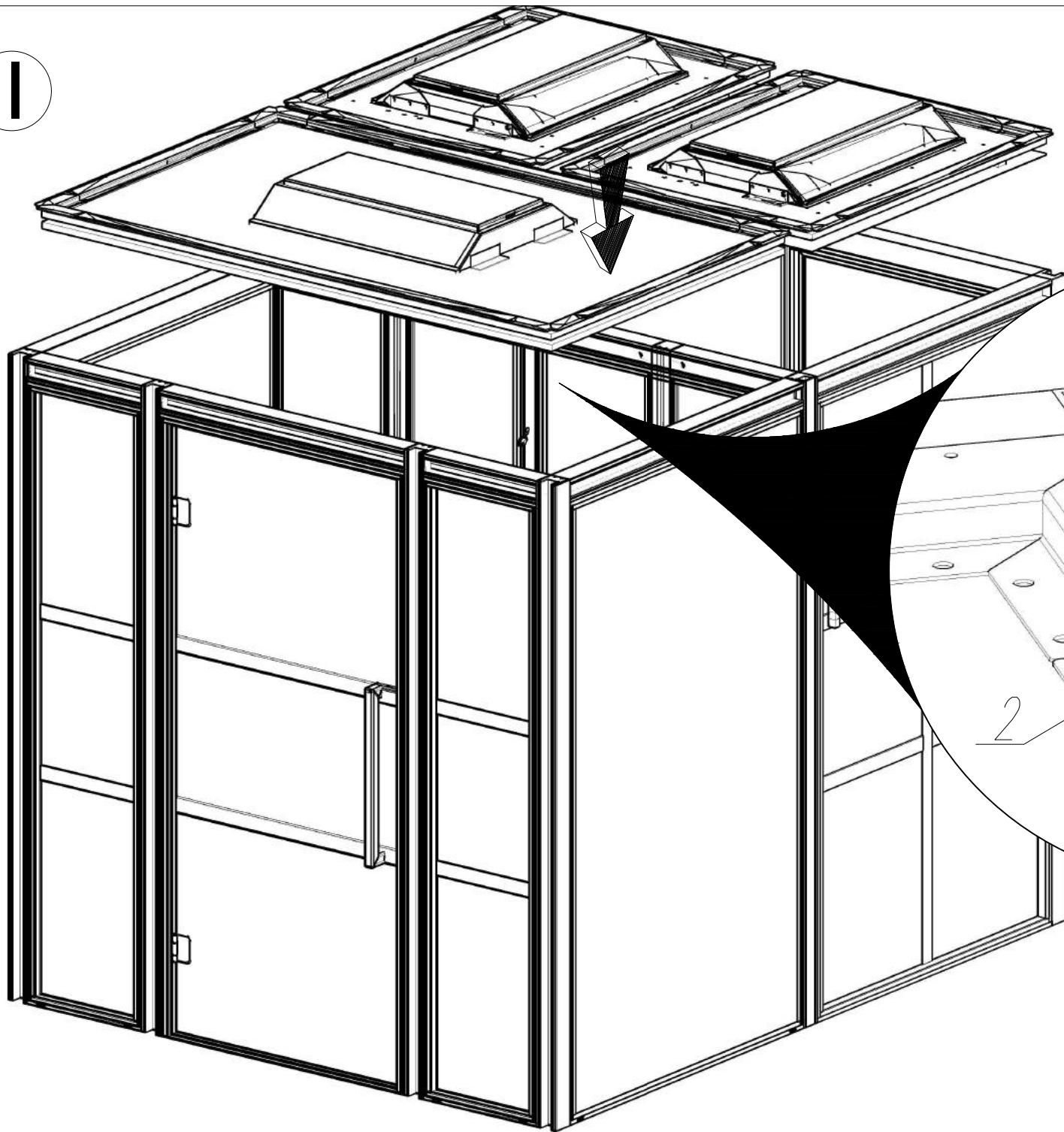
G



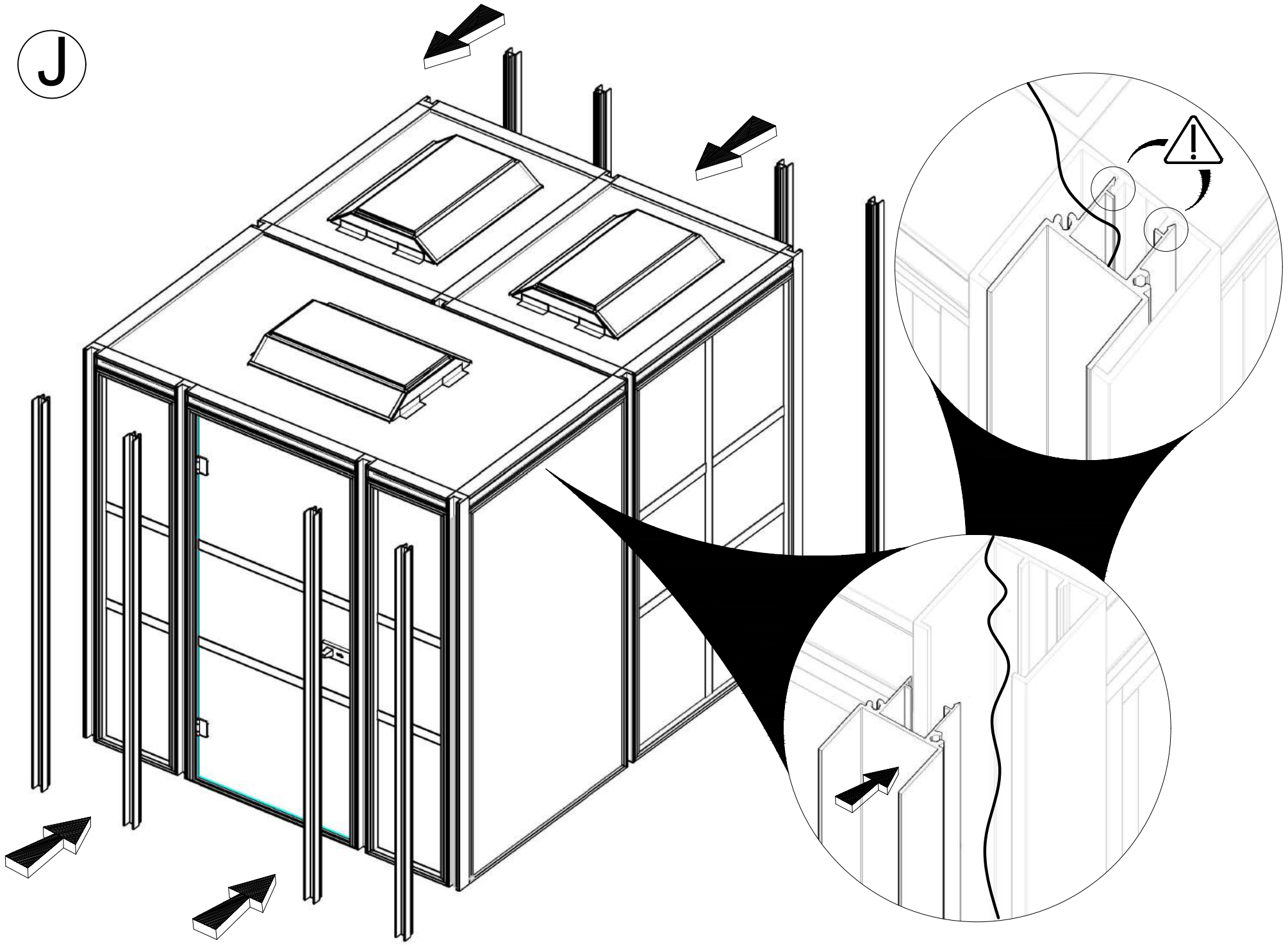
H



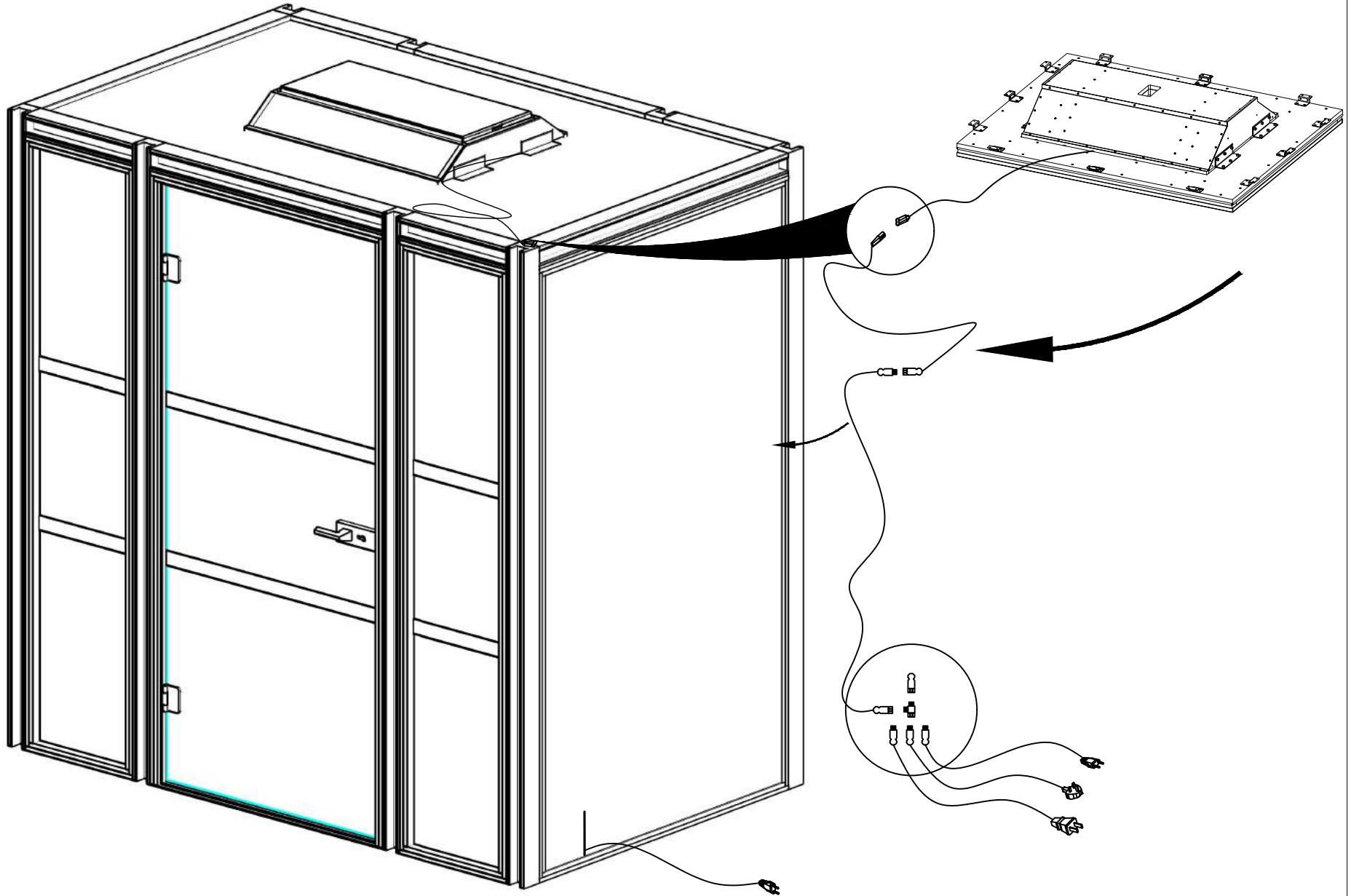
1



J

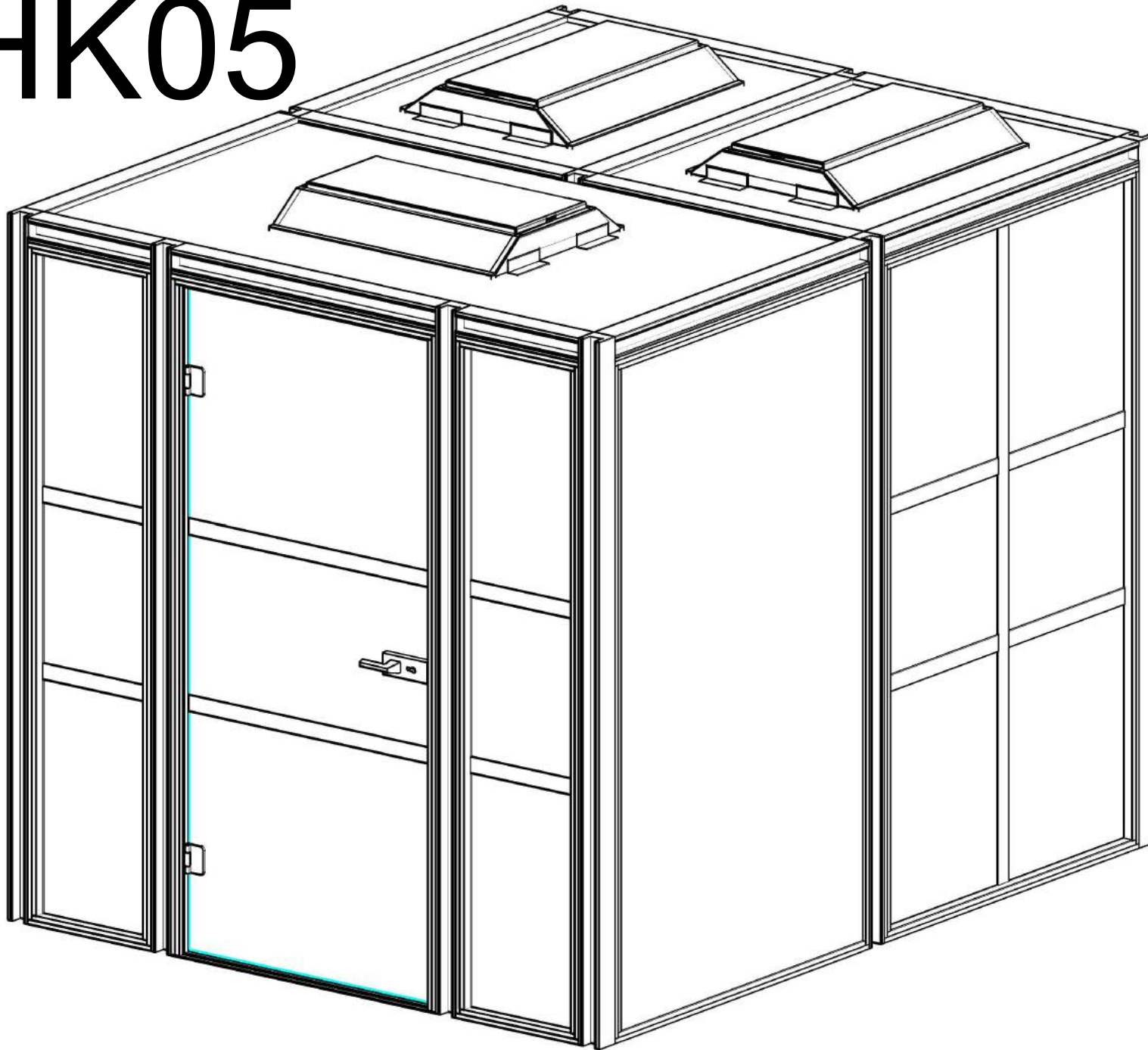


K



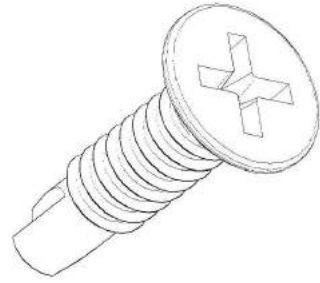
HK05

.mdd

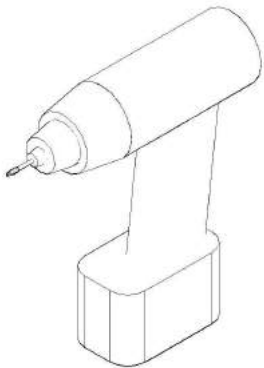
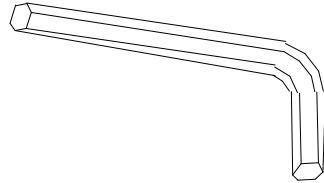




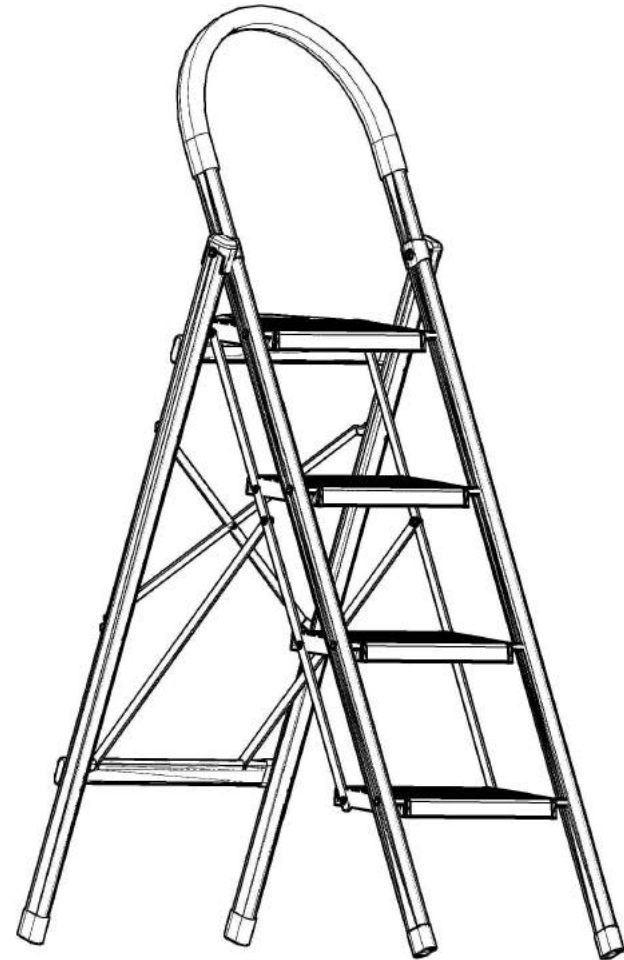
M6x16

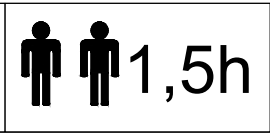
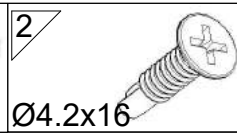
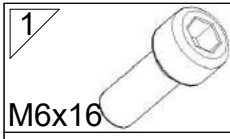


Ø4.2x16



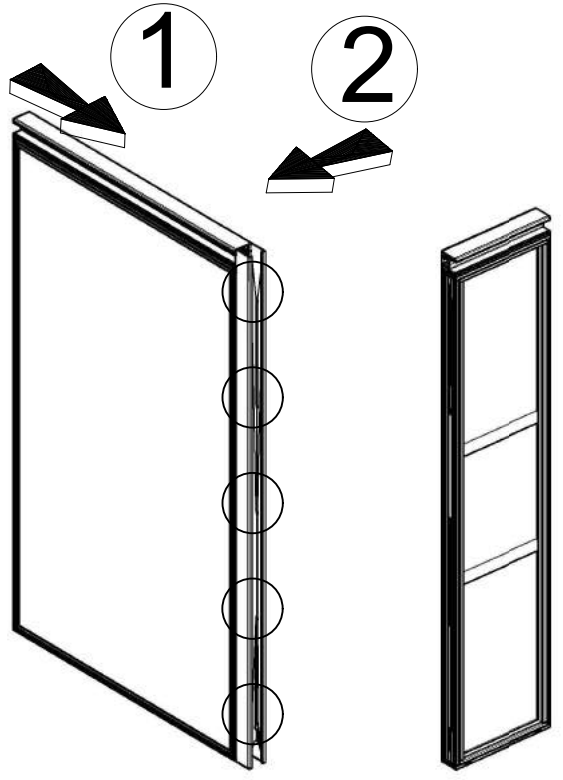
MIN 1,5M



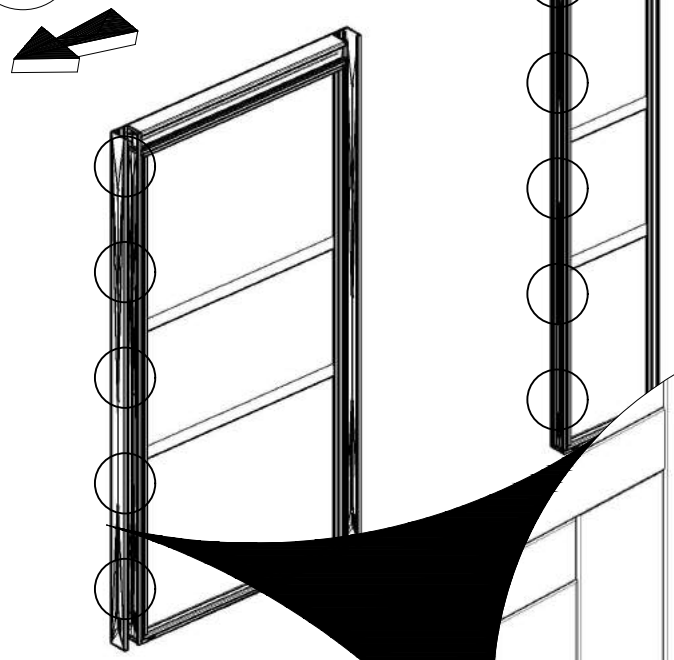


HK05

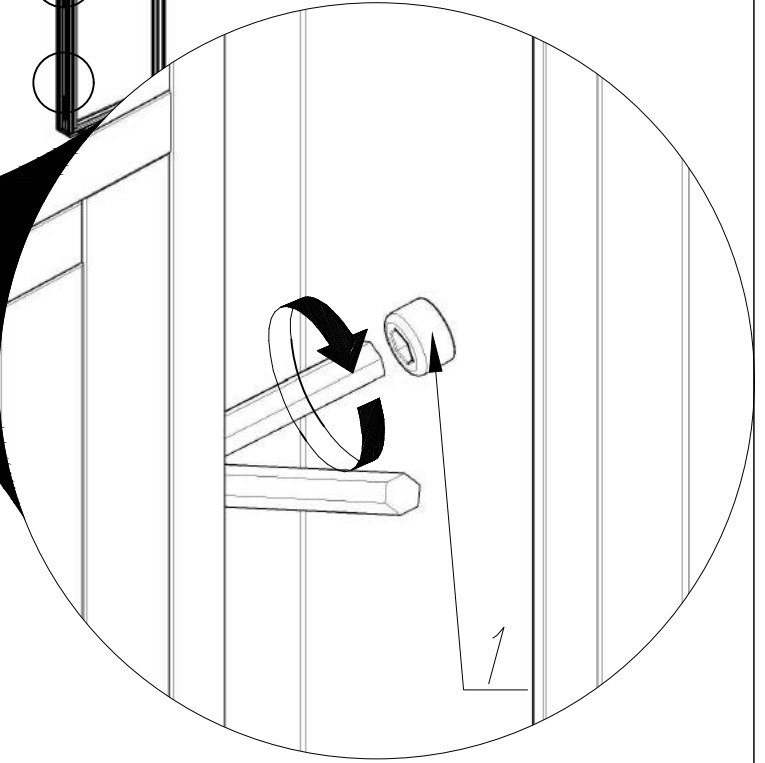
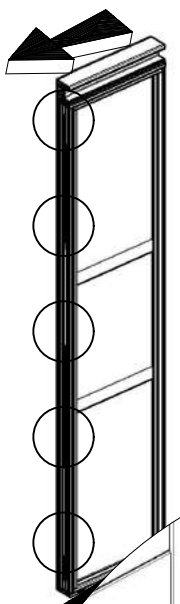
A



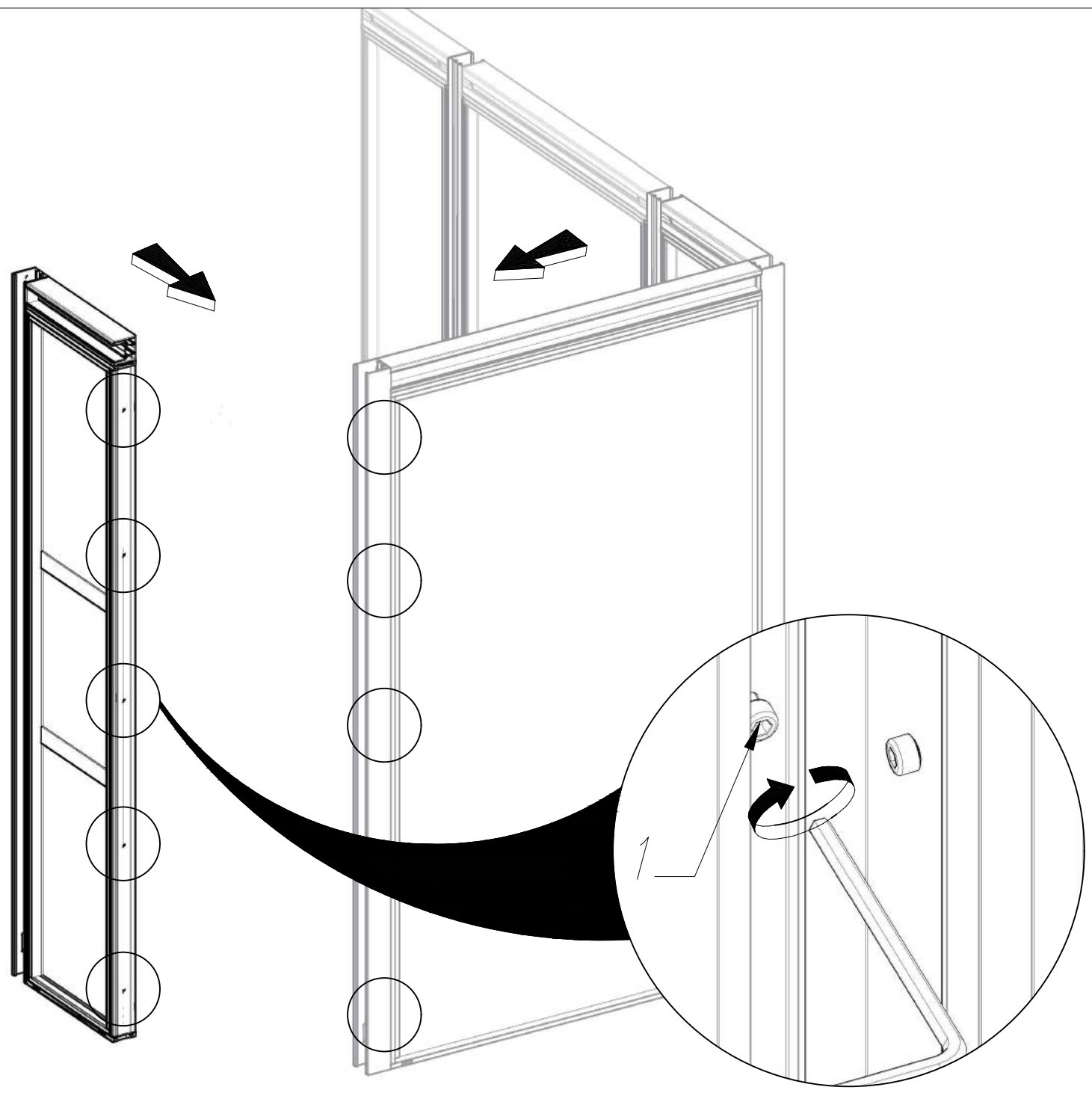
3



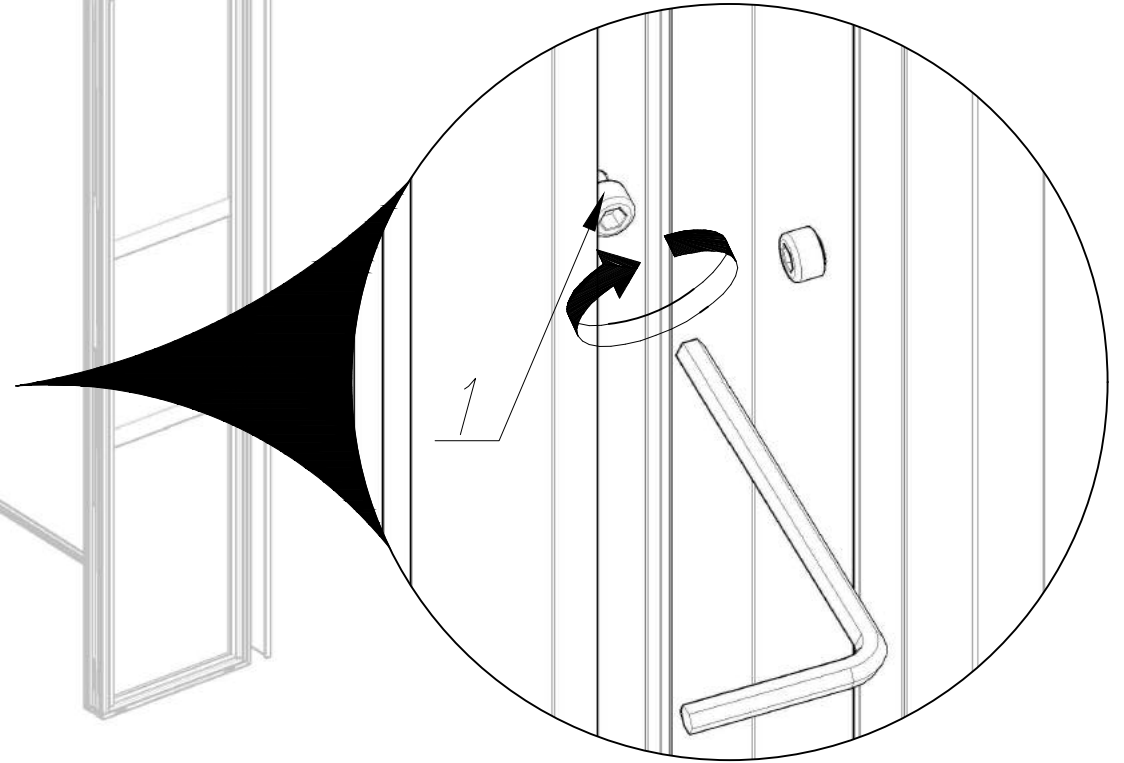
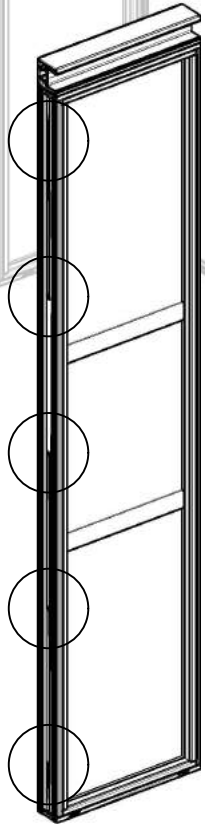
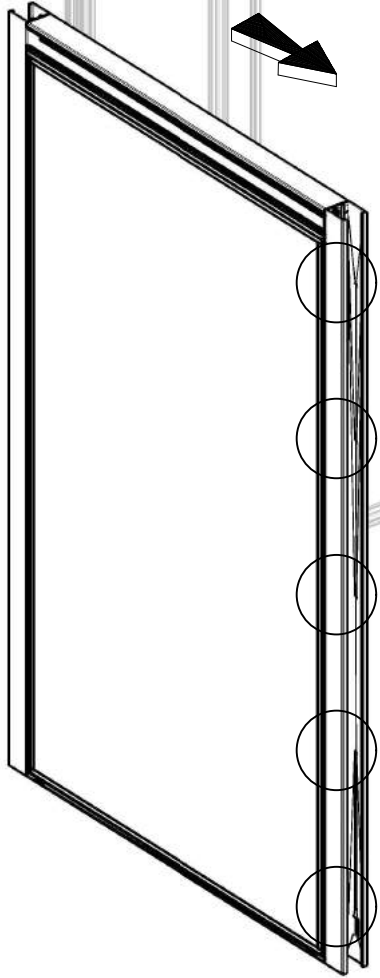
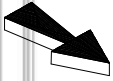
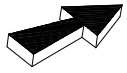
4



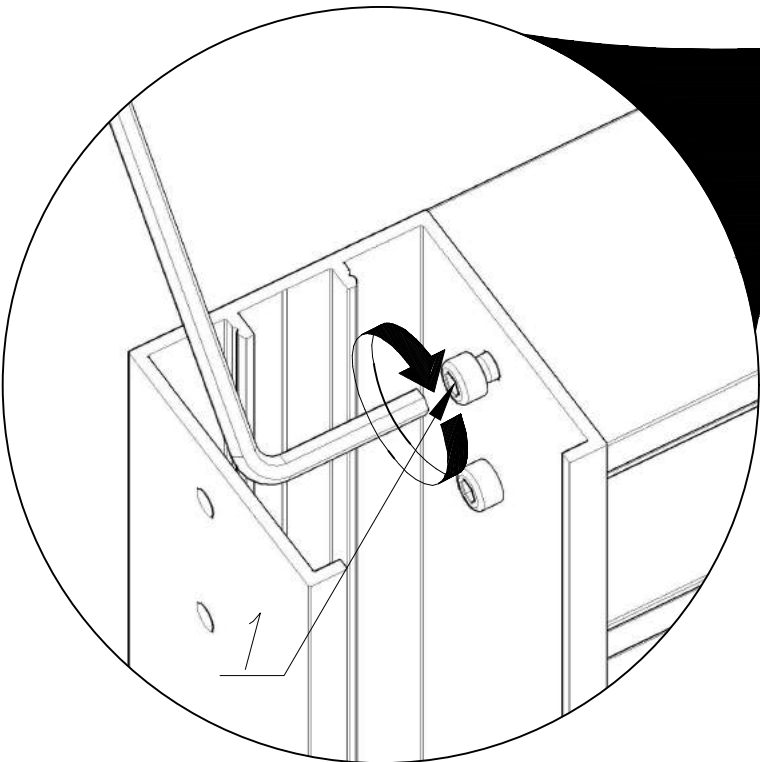
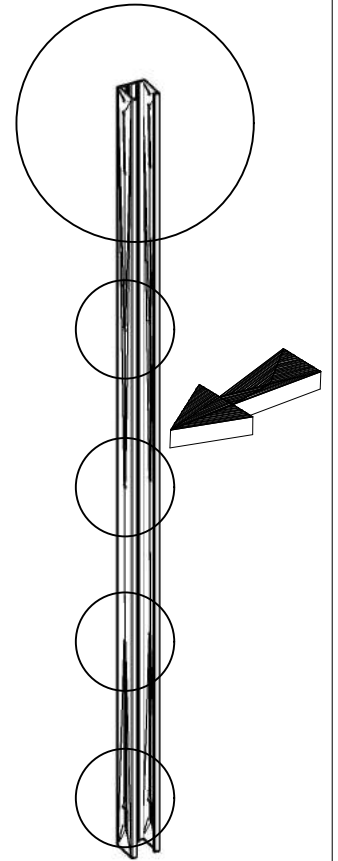
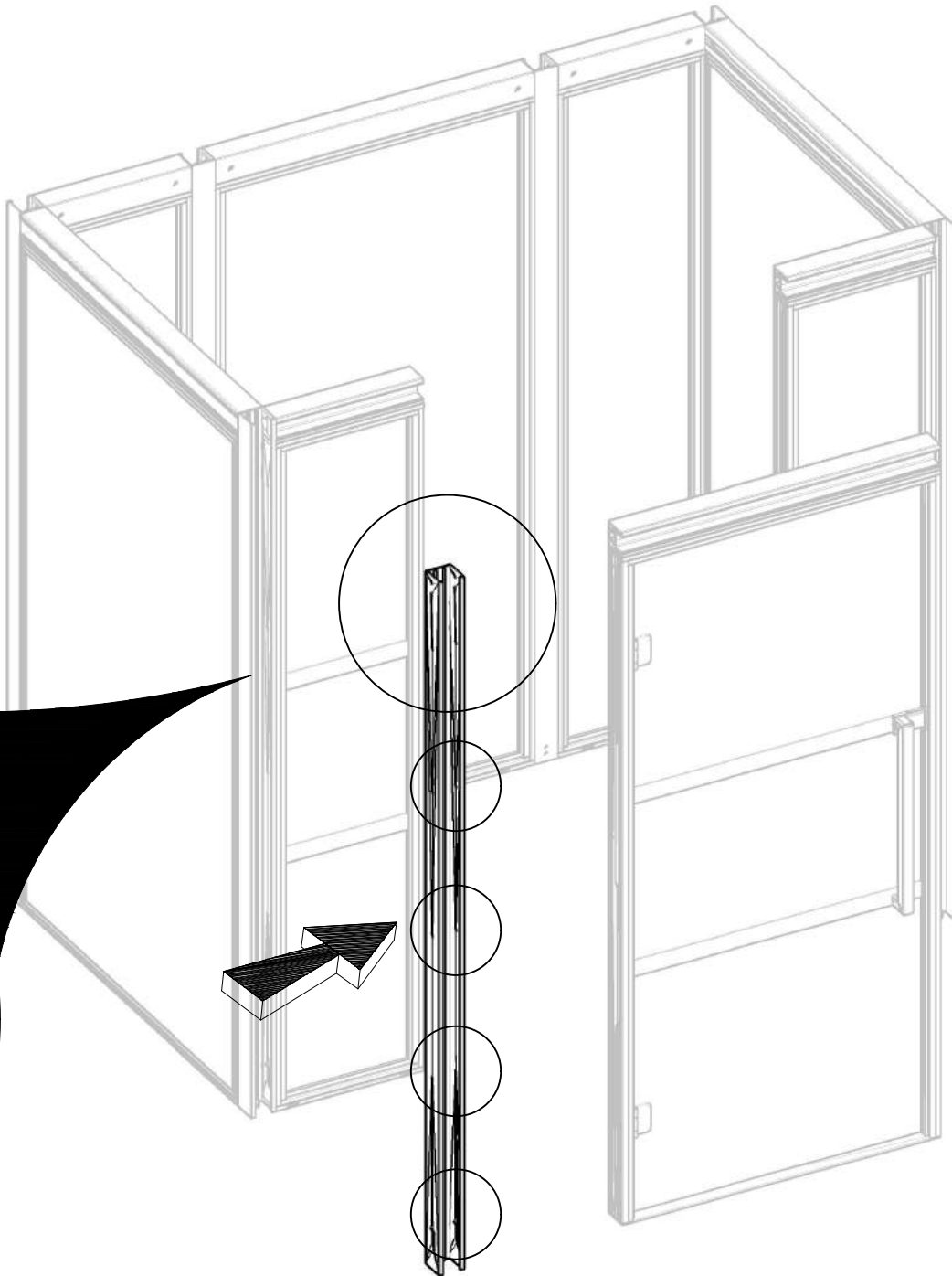
B



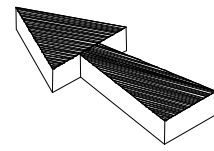
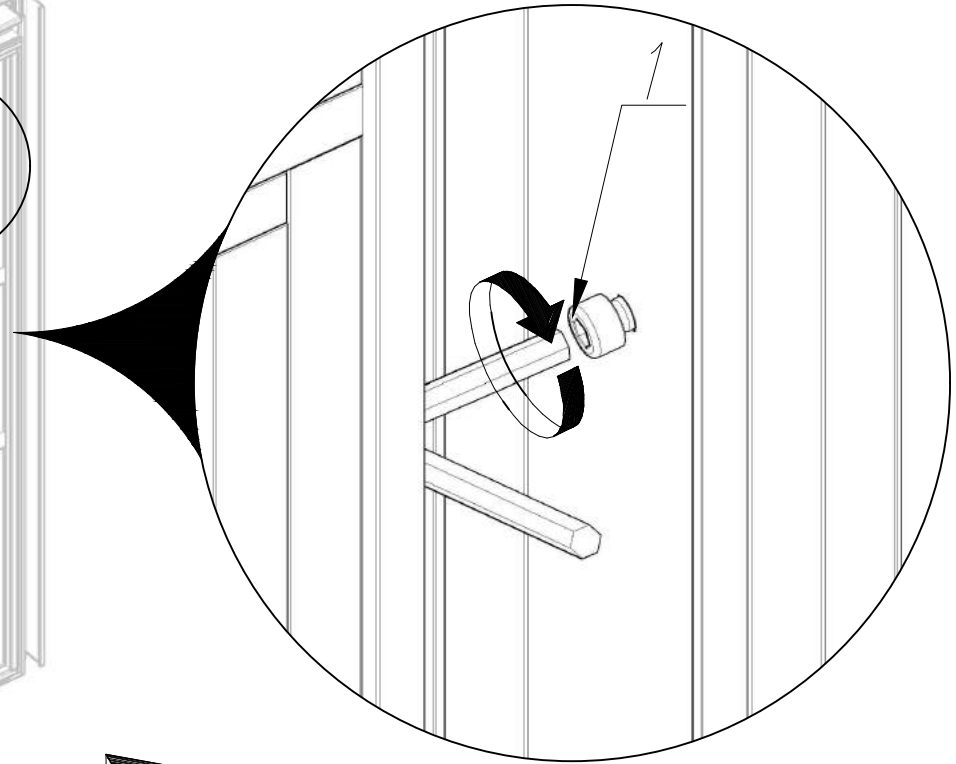
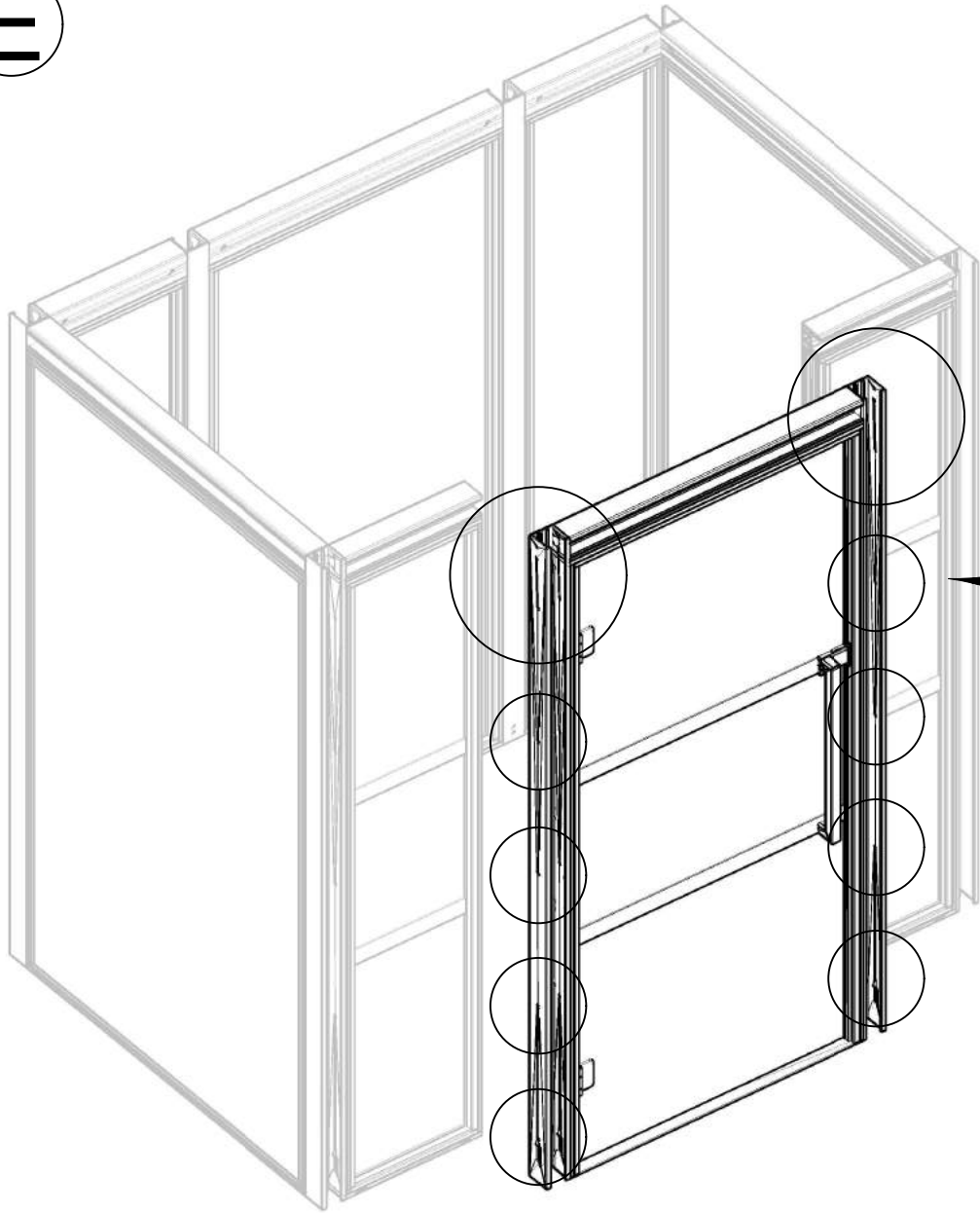
C



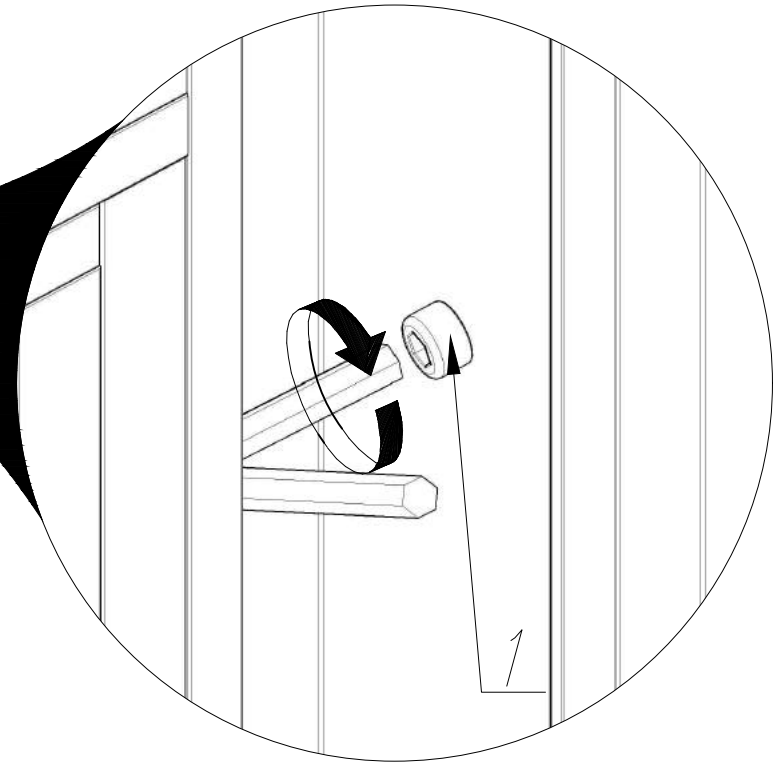
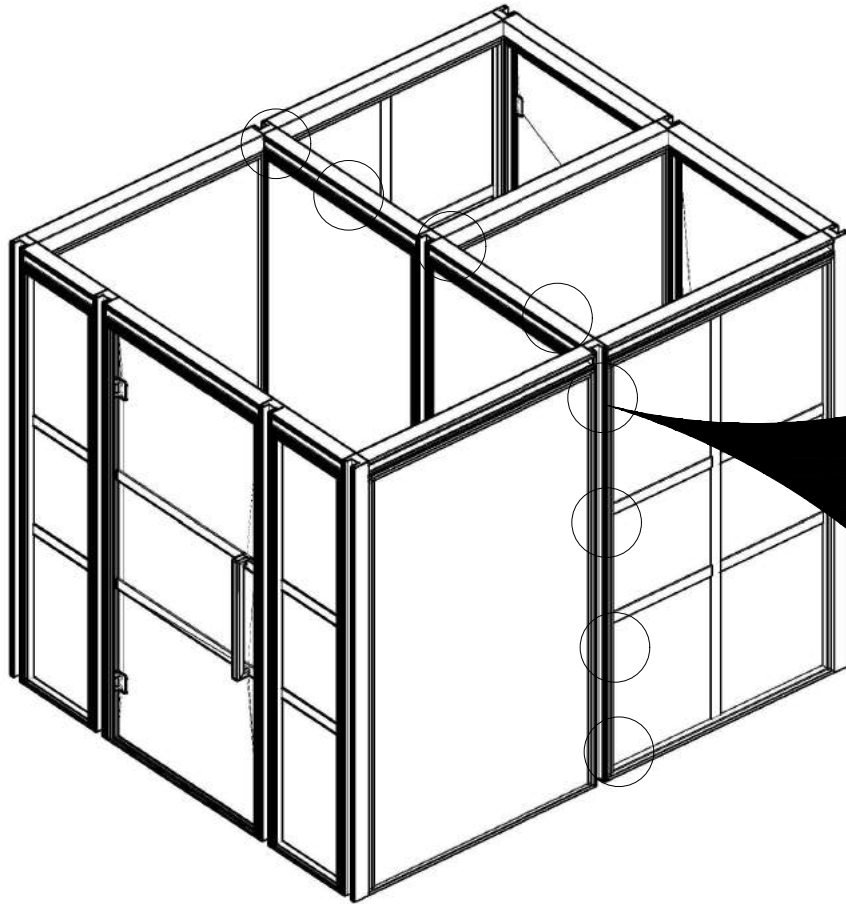
D



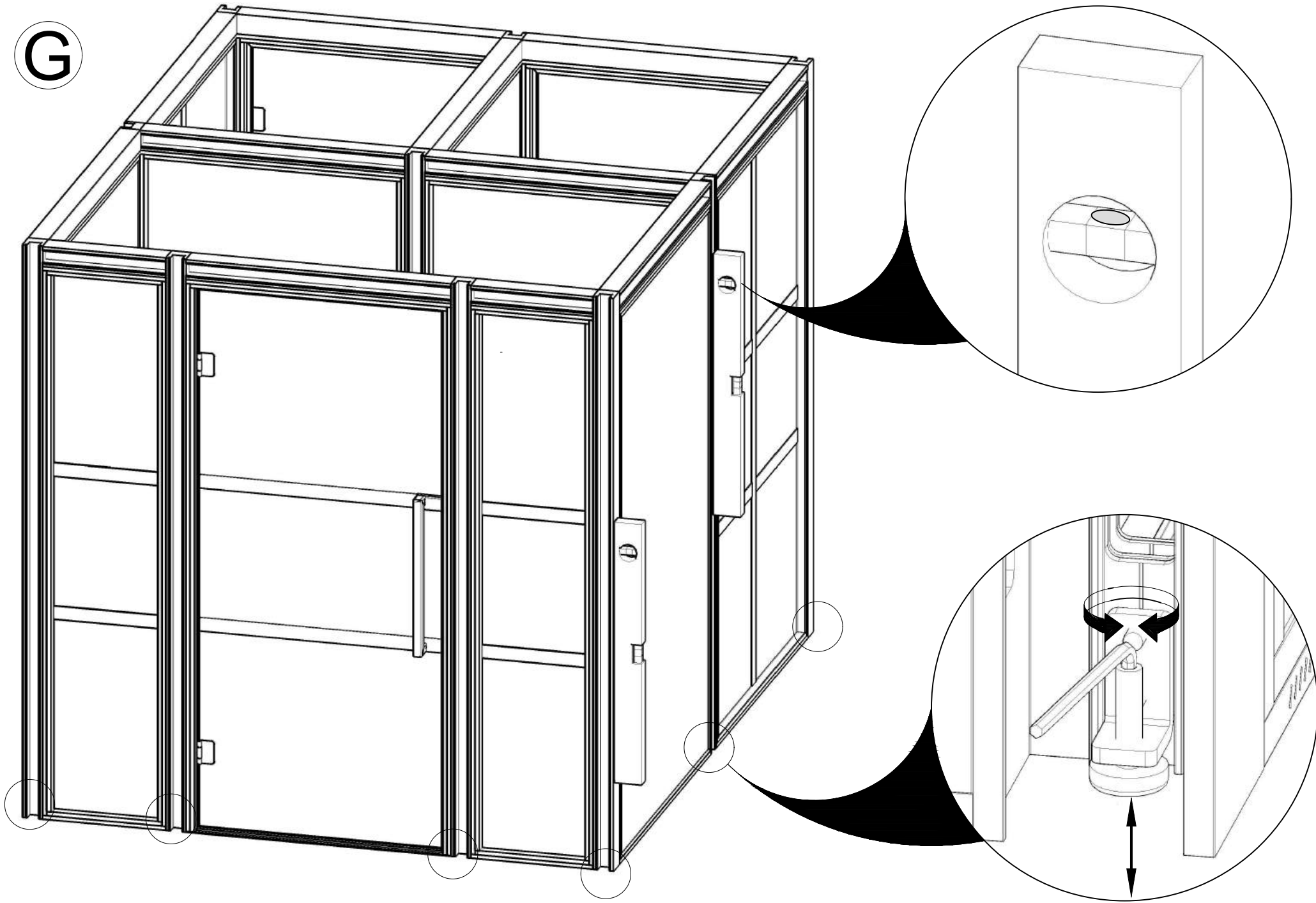
E



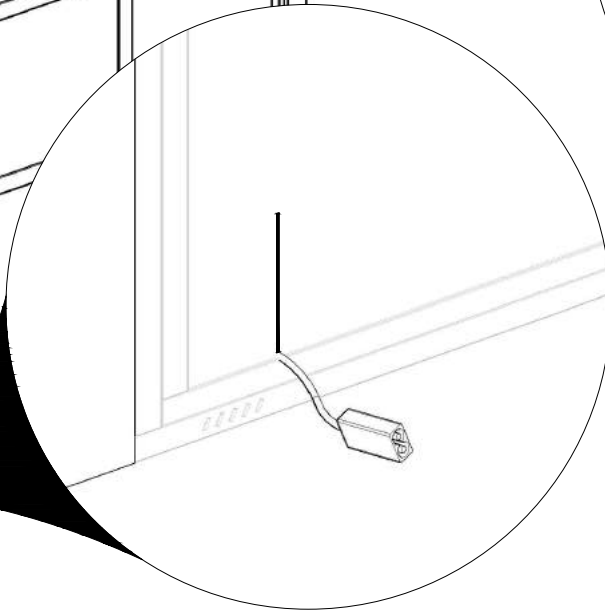
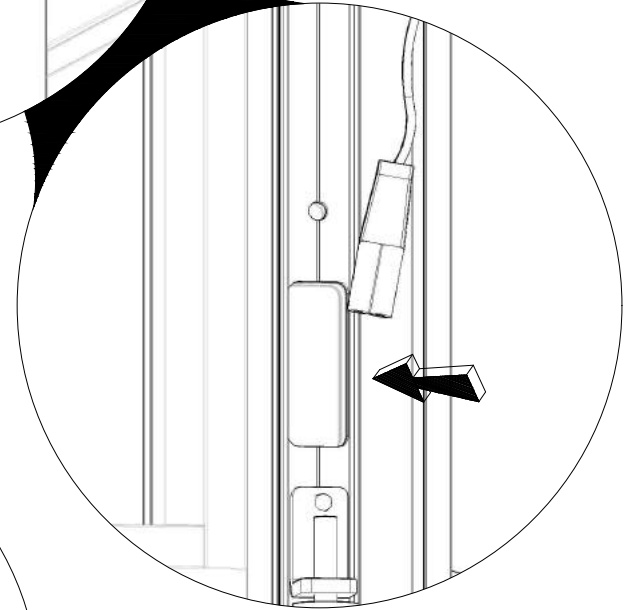
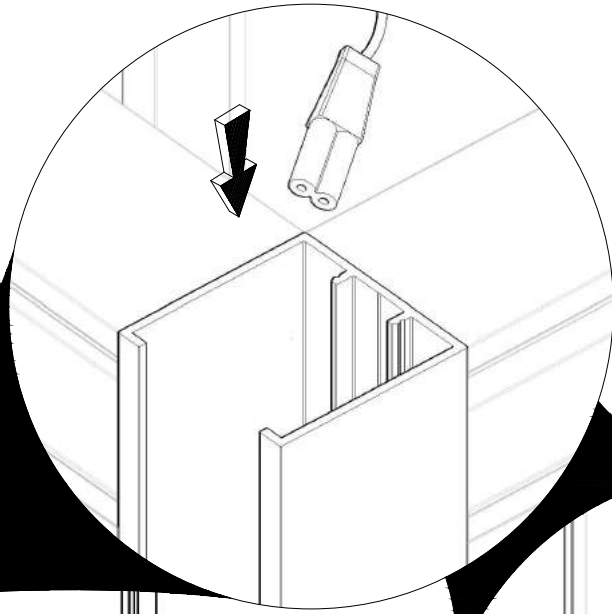
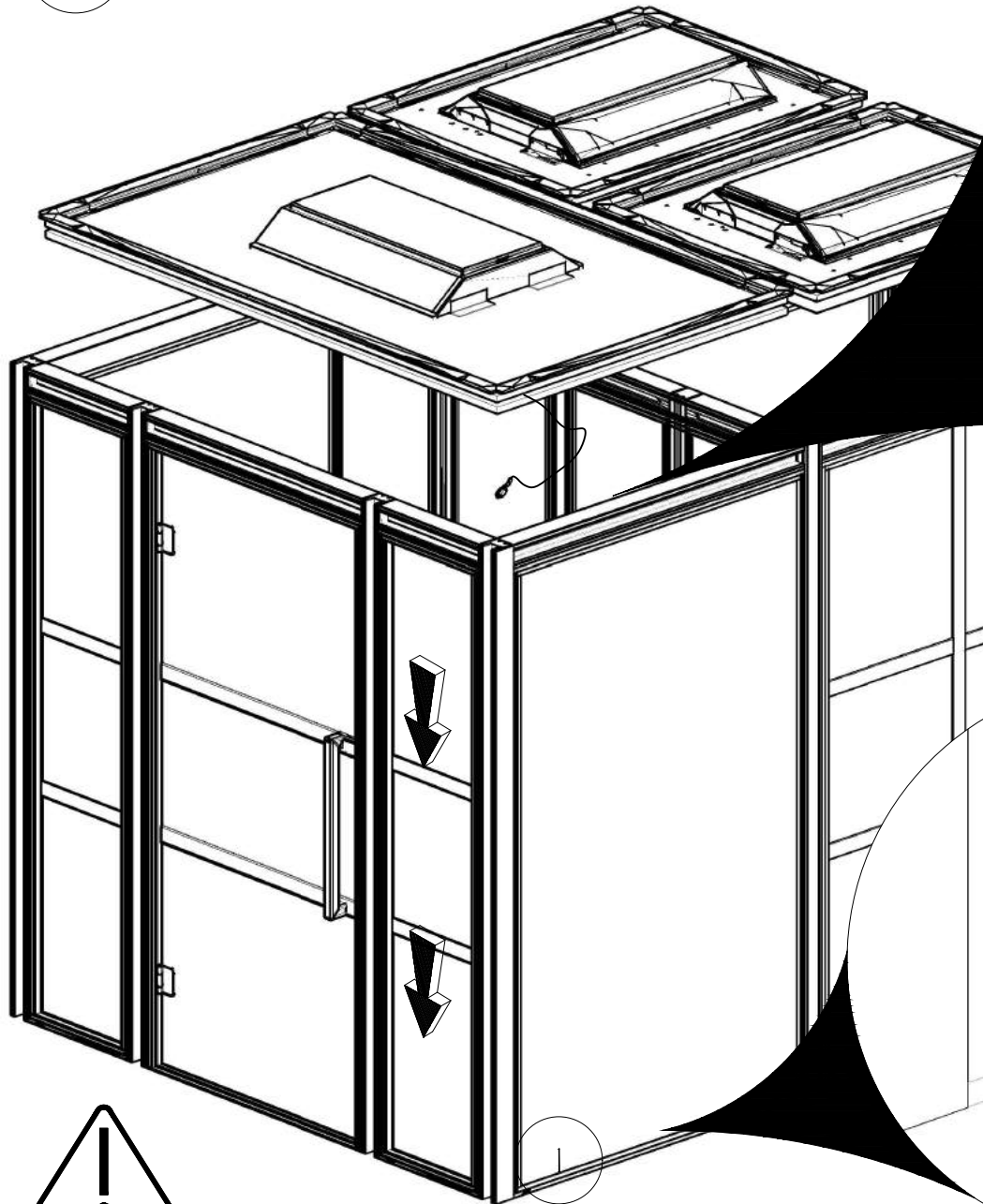
F



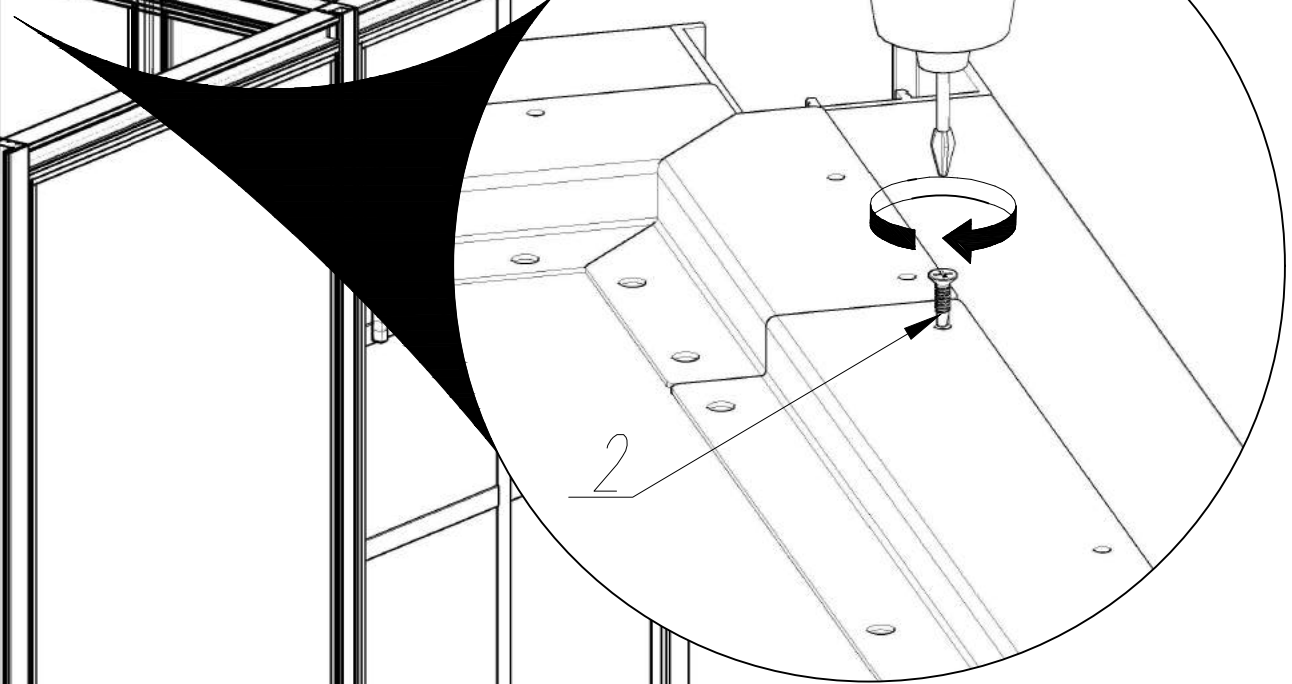
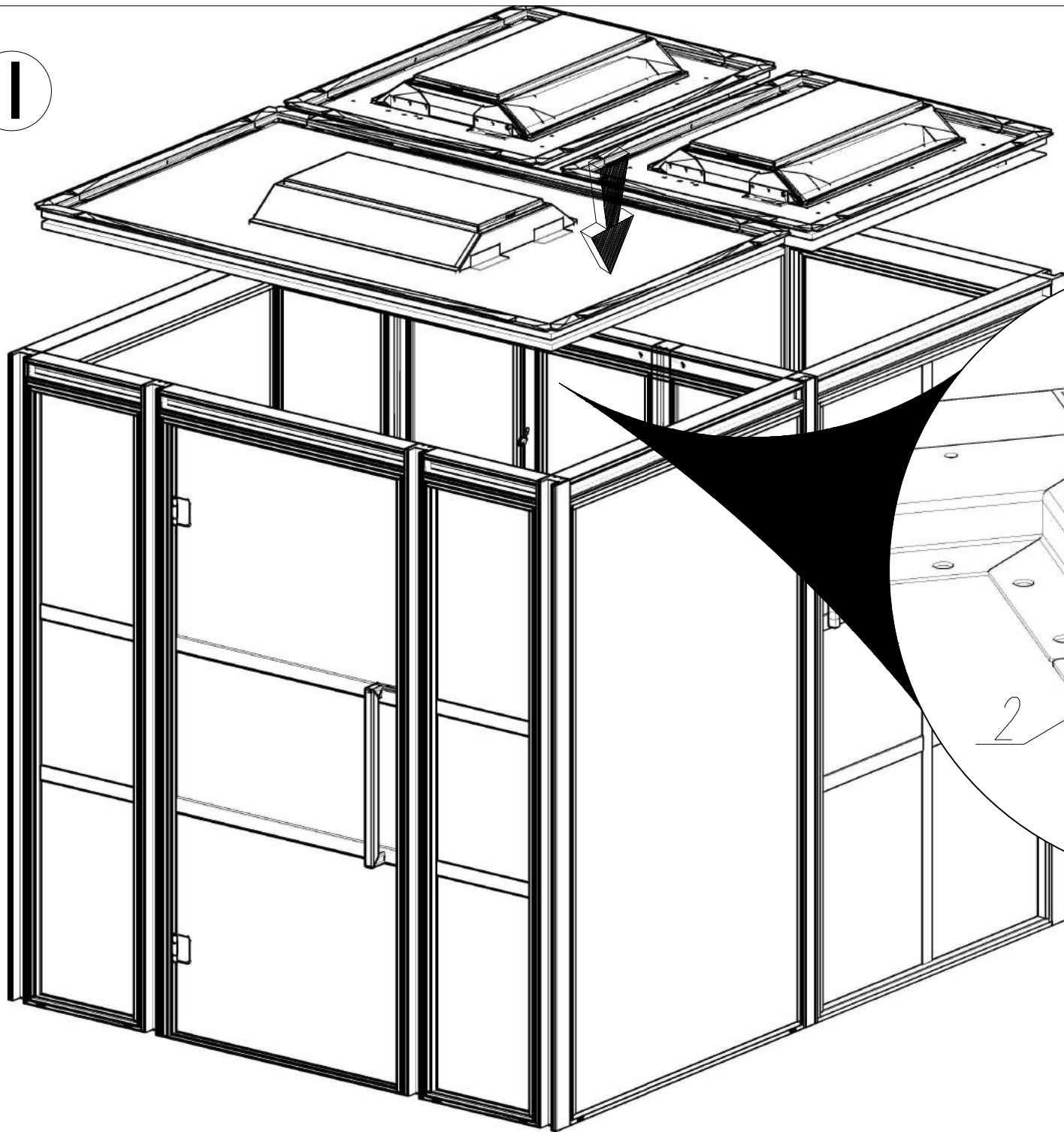
G



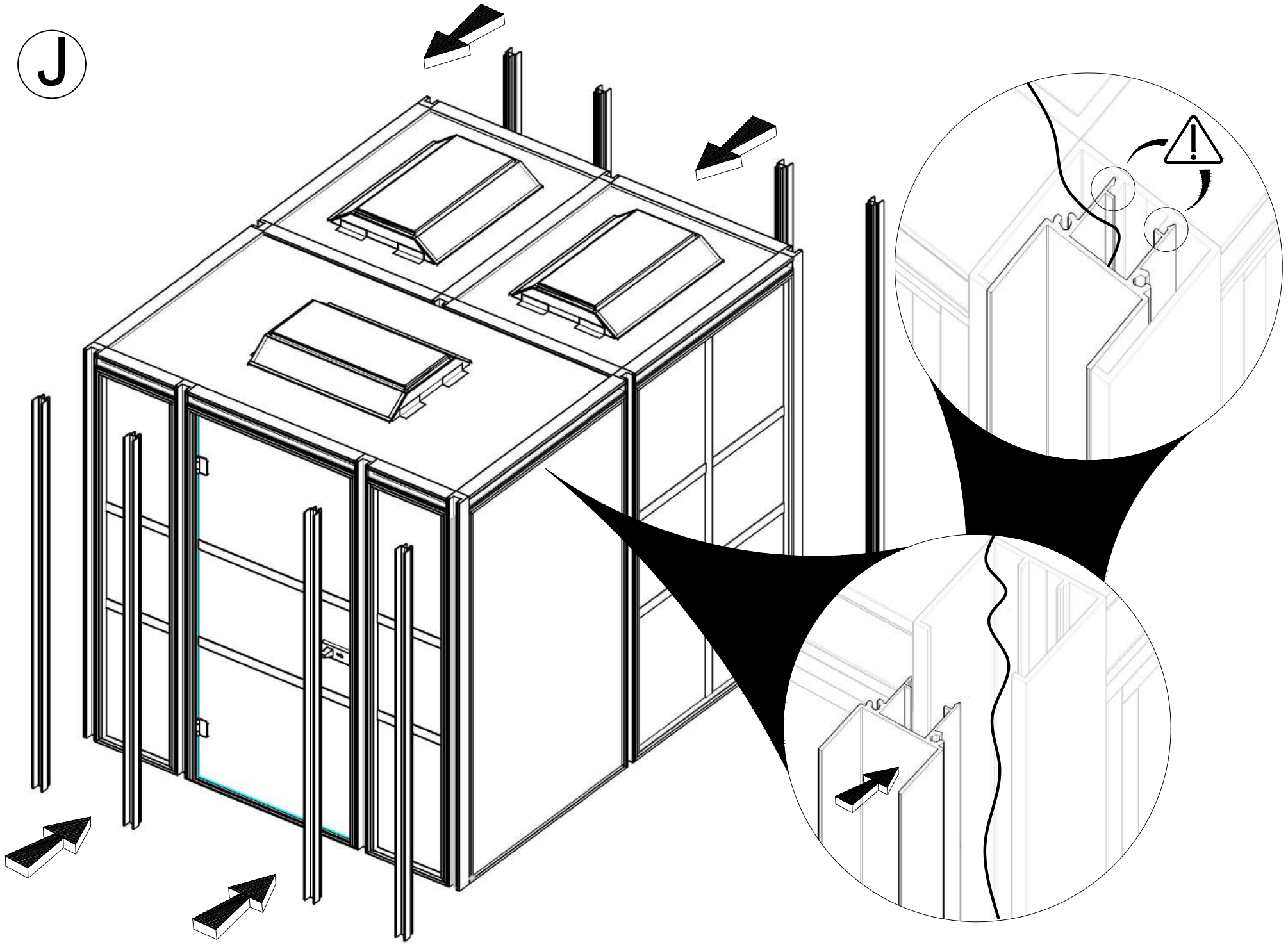
H



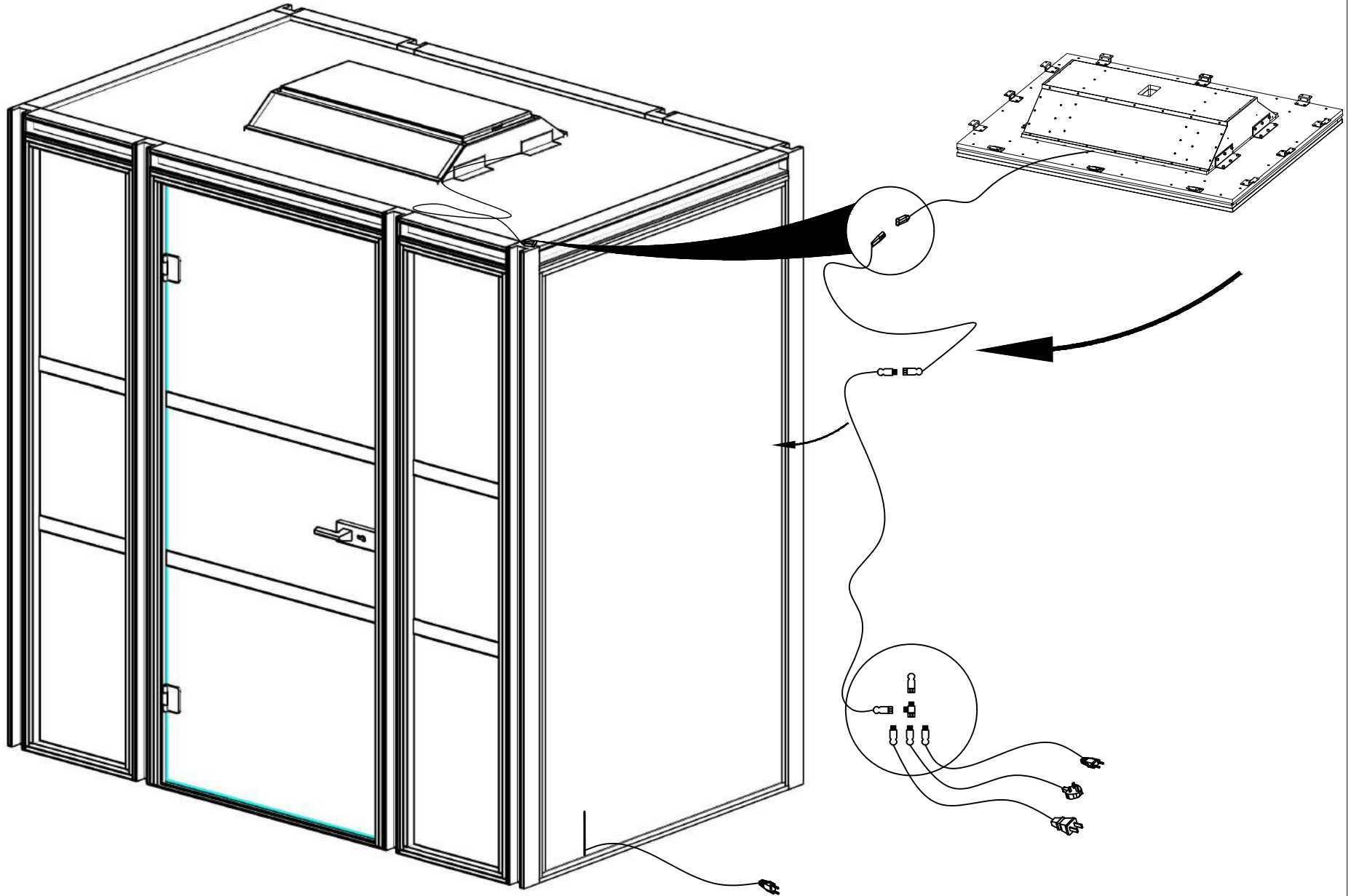
1



J

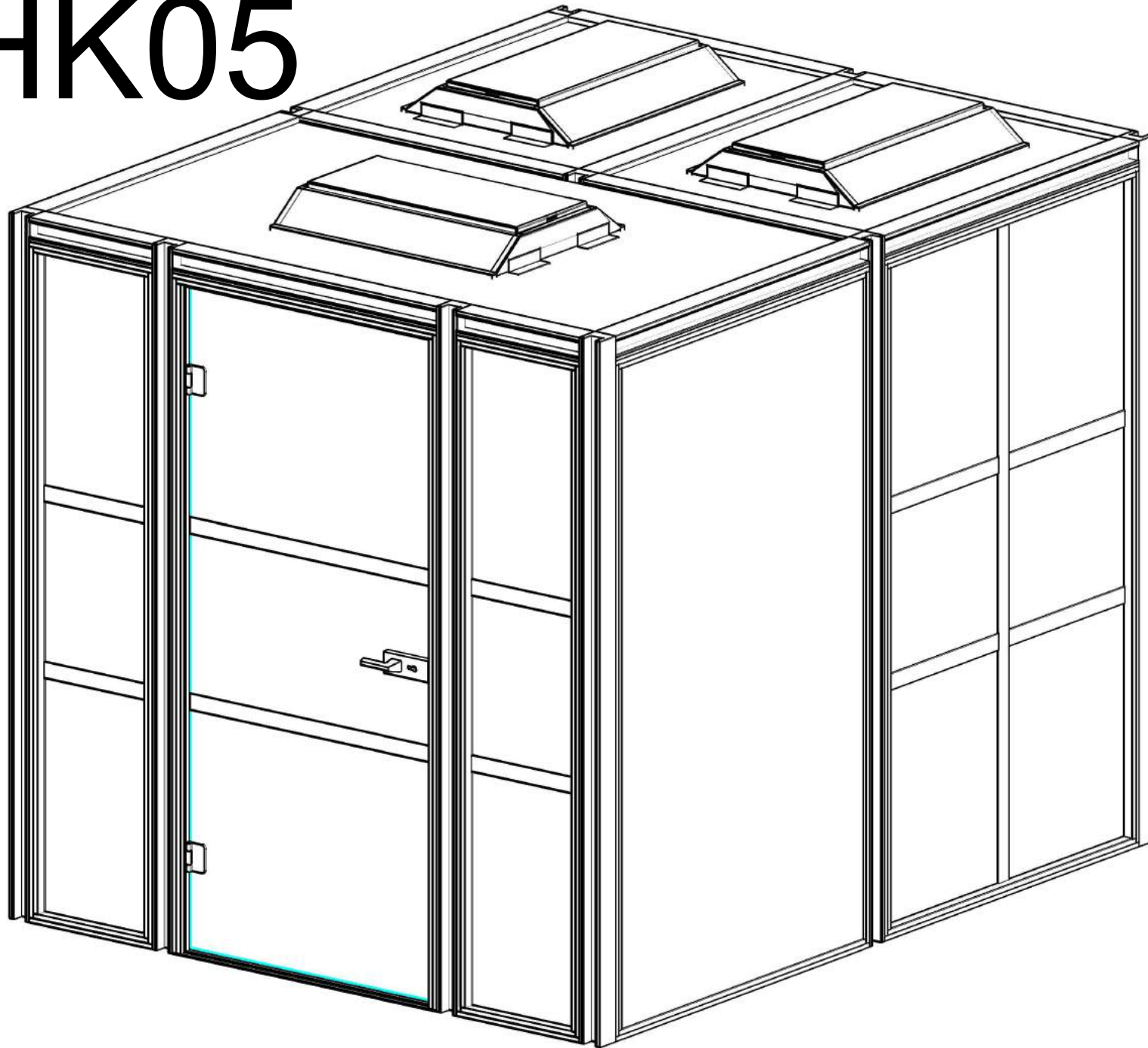


K



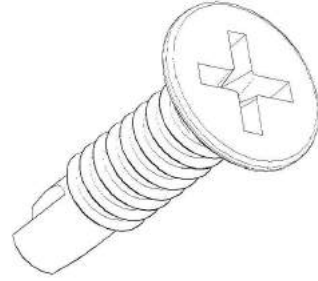
HK05

.mdd

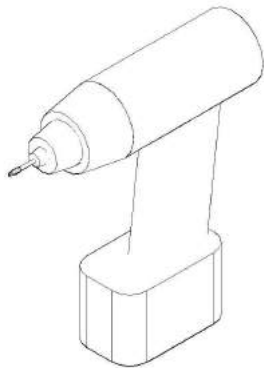
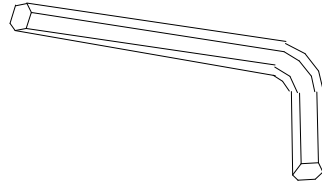




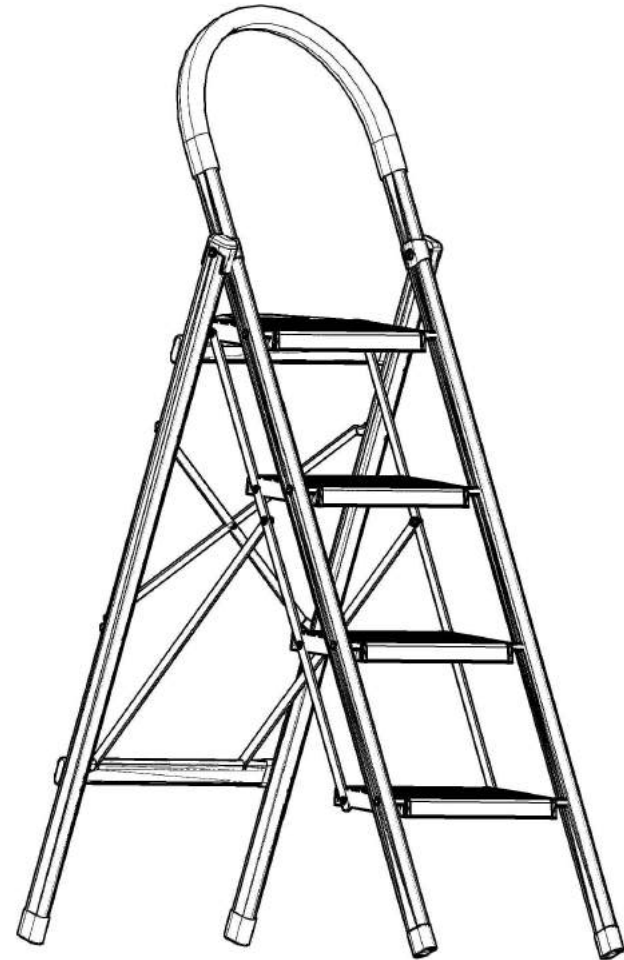
M6x16

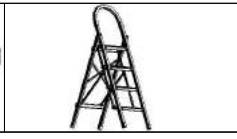
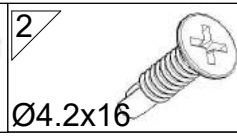
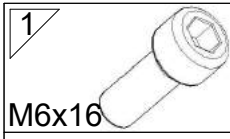


Ø4.2x16



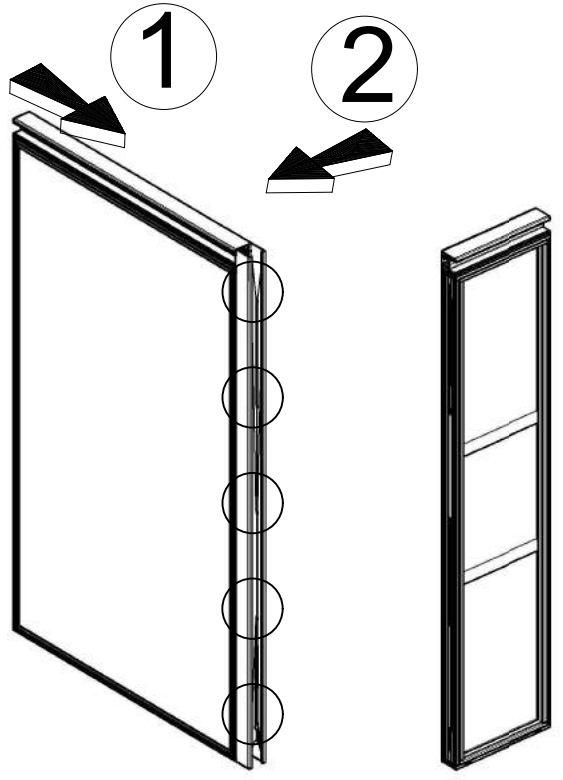
MIN 1,5M



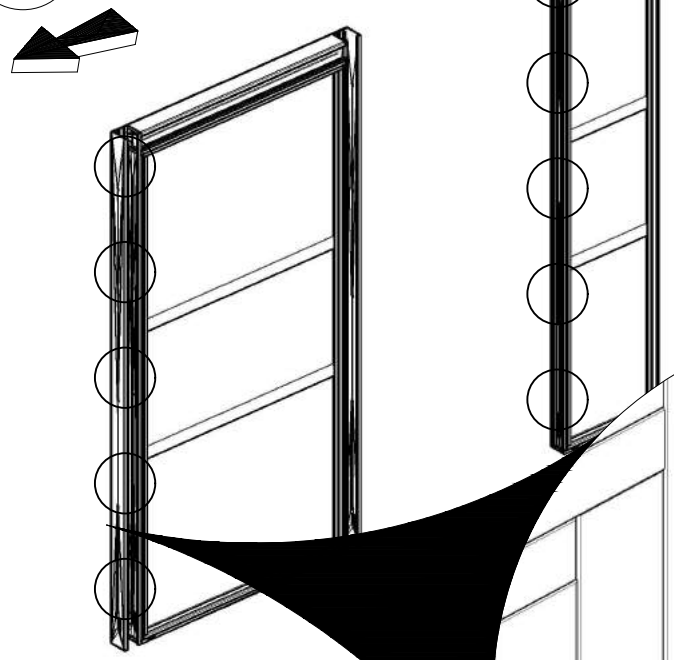


HK05

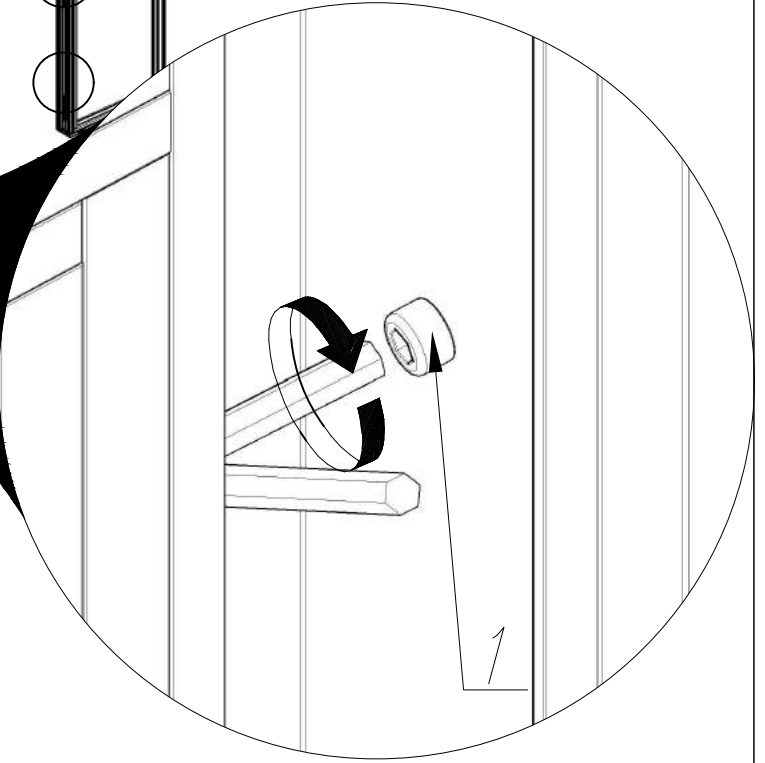
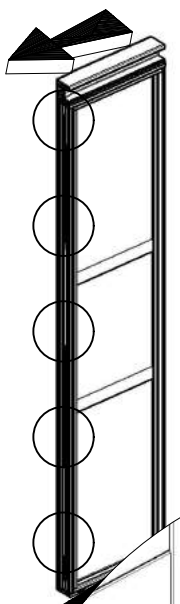
A



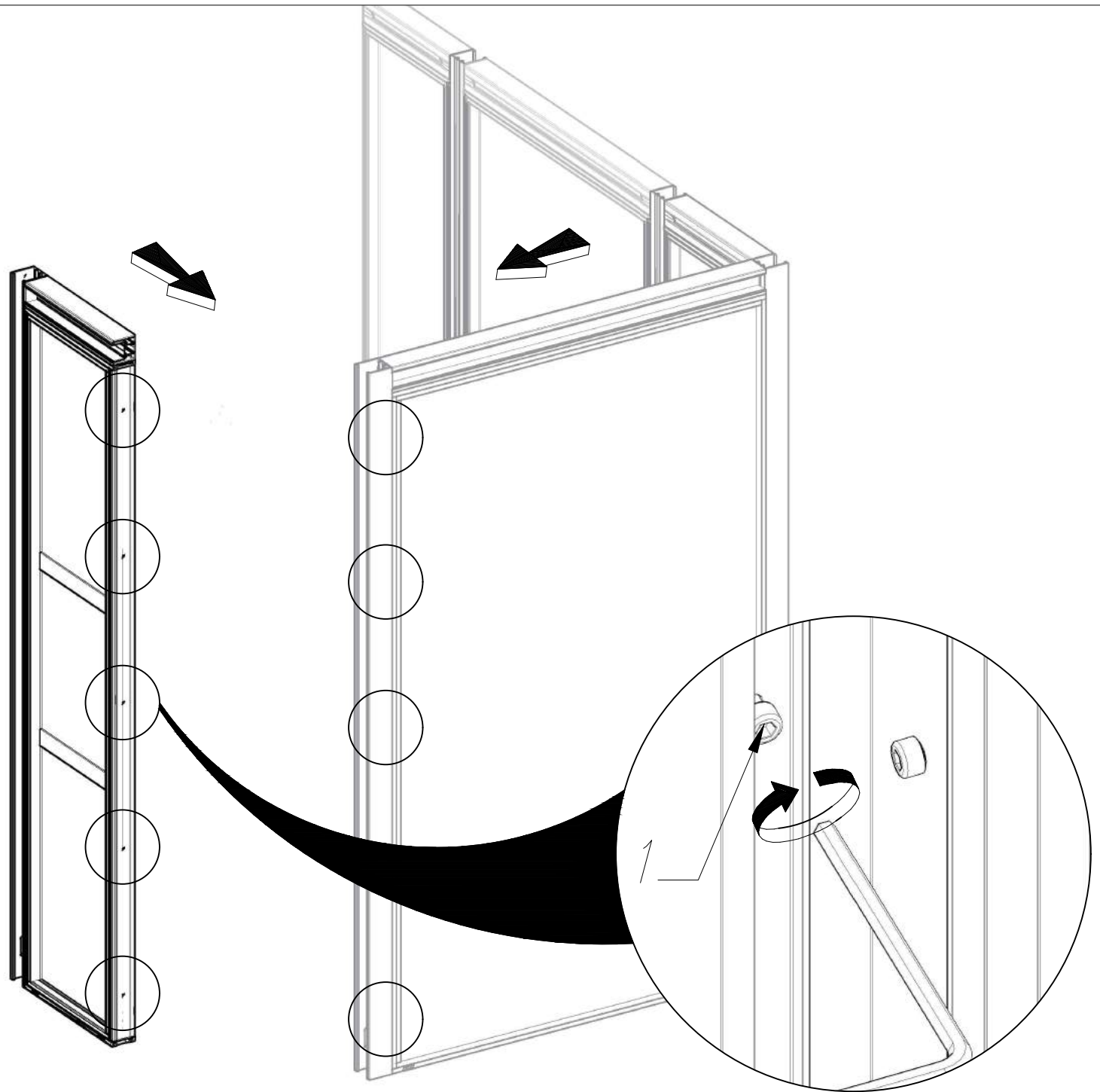
3



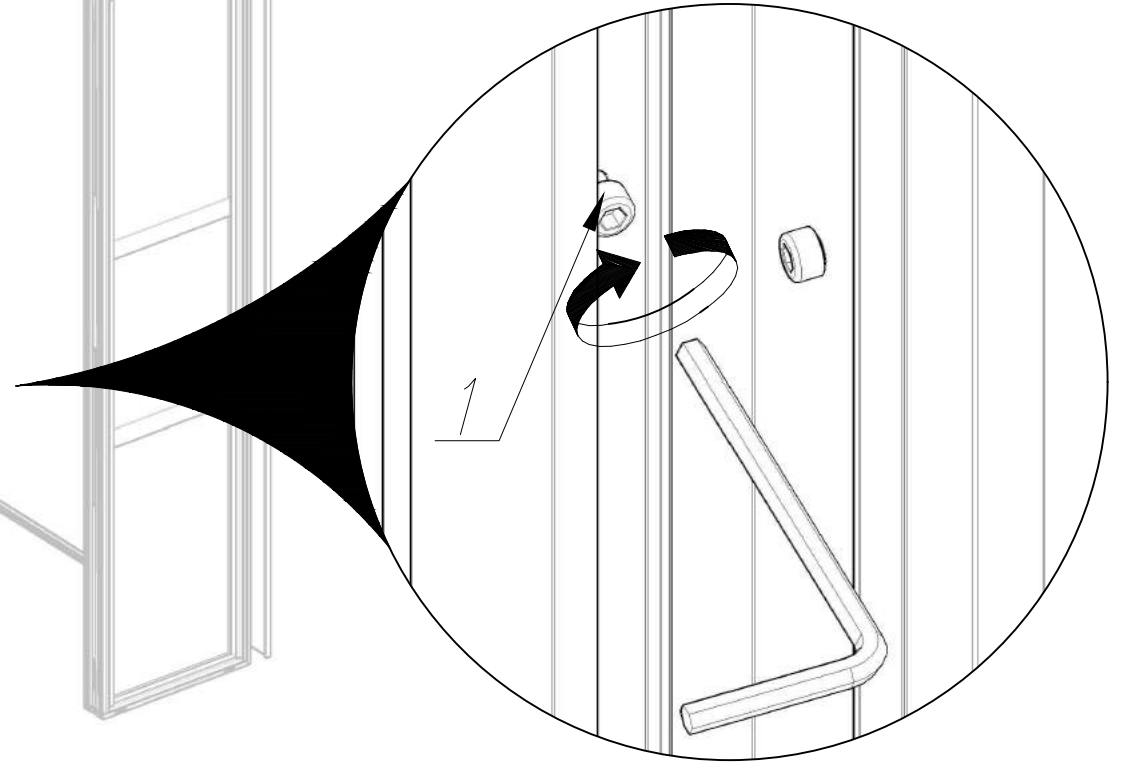
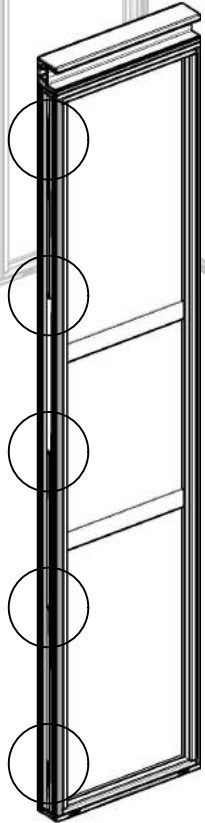
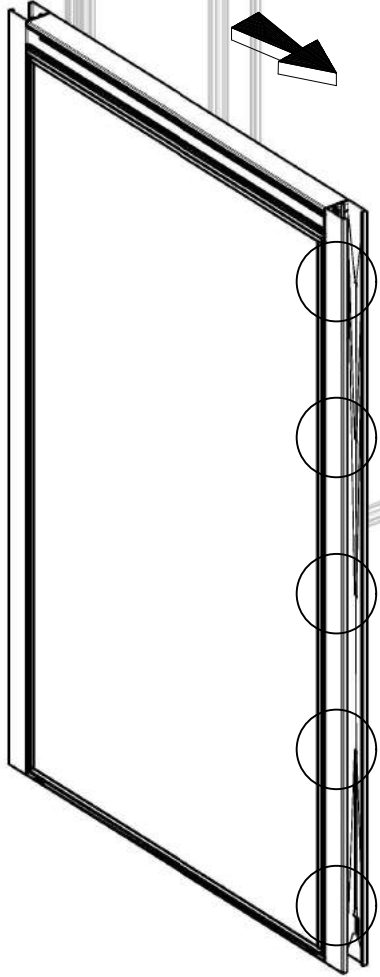
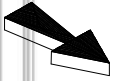
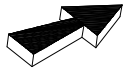
4



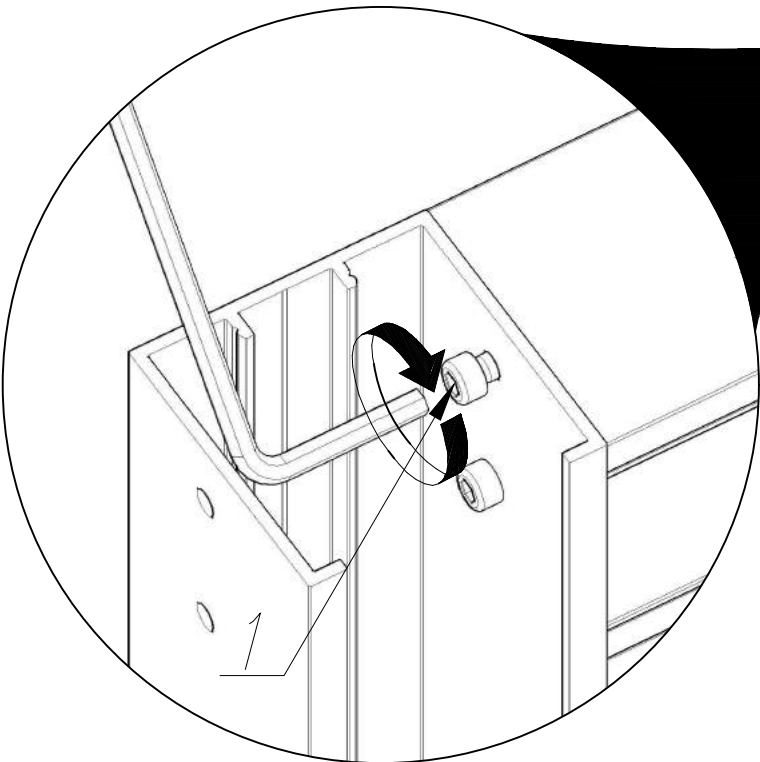
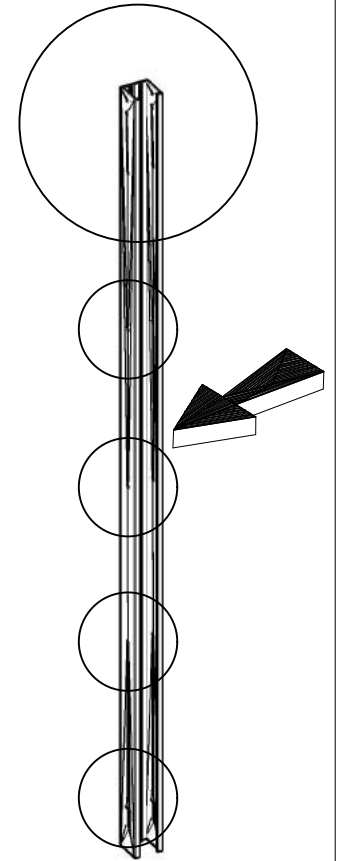
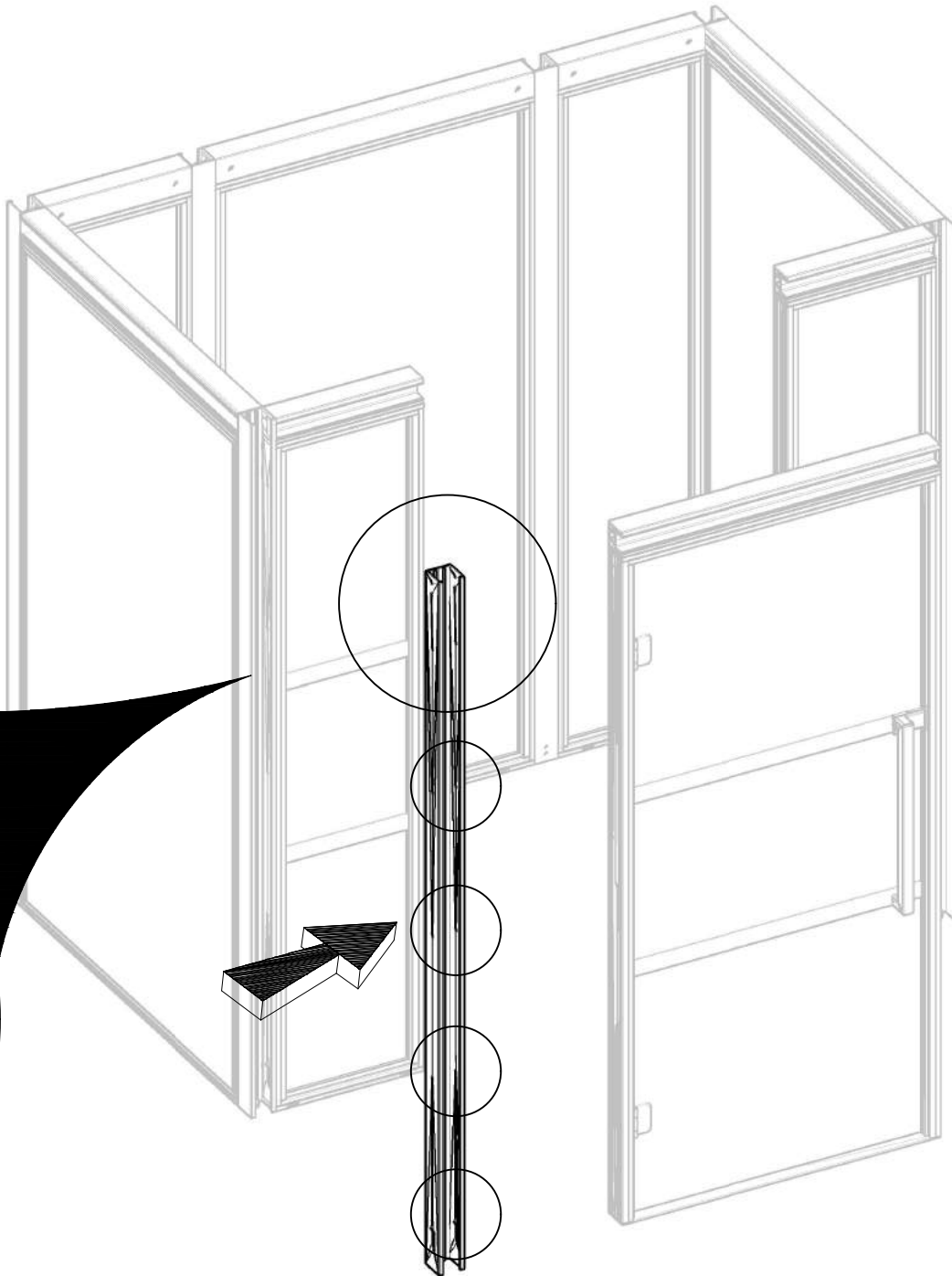
B



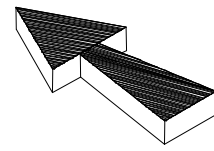
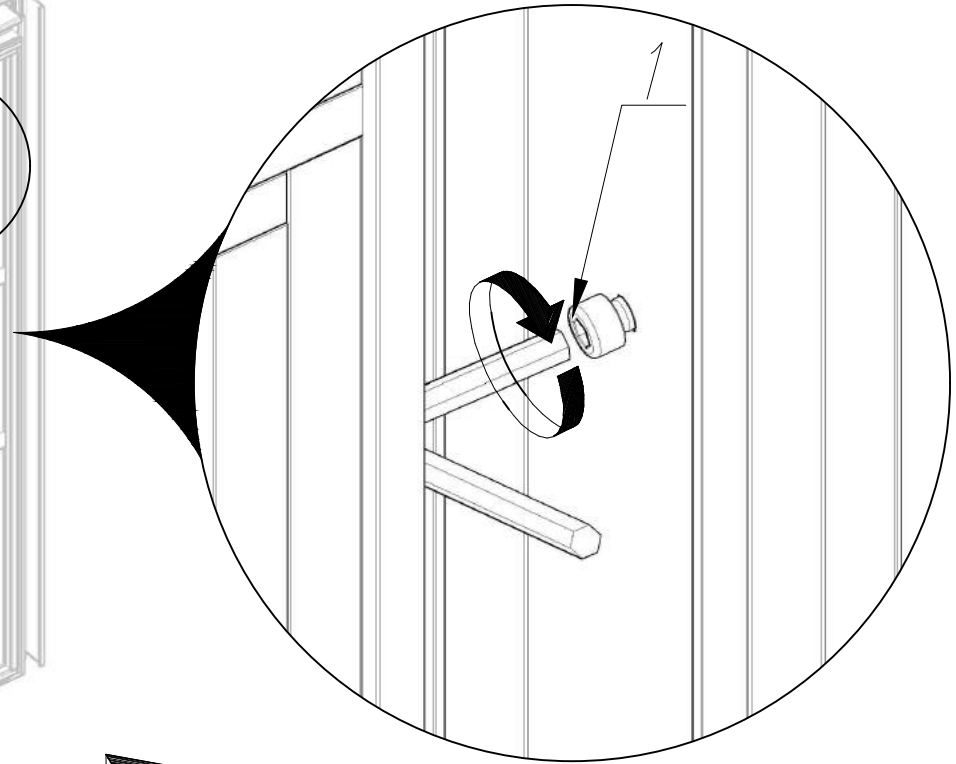
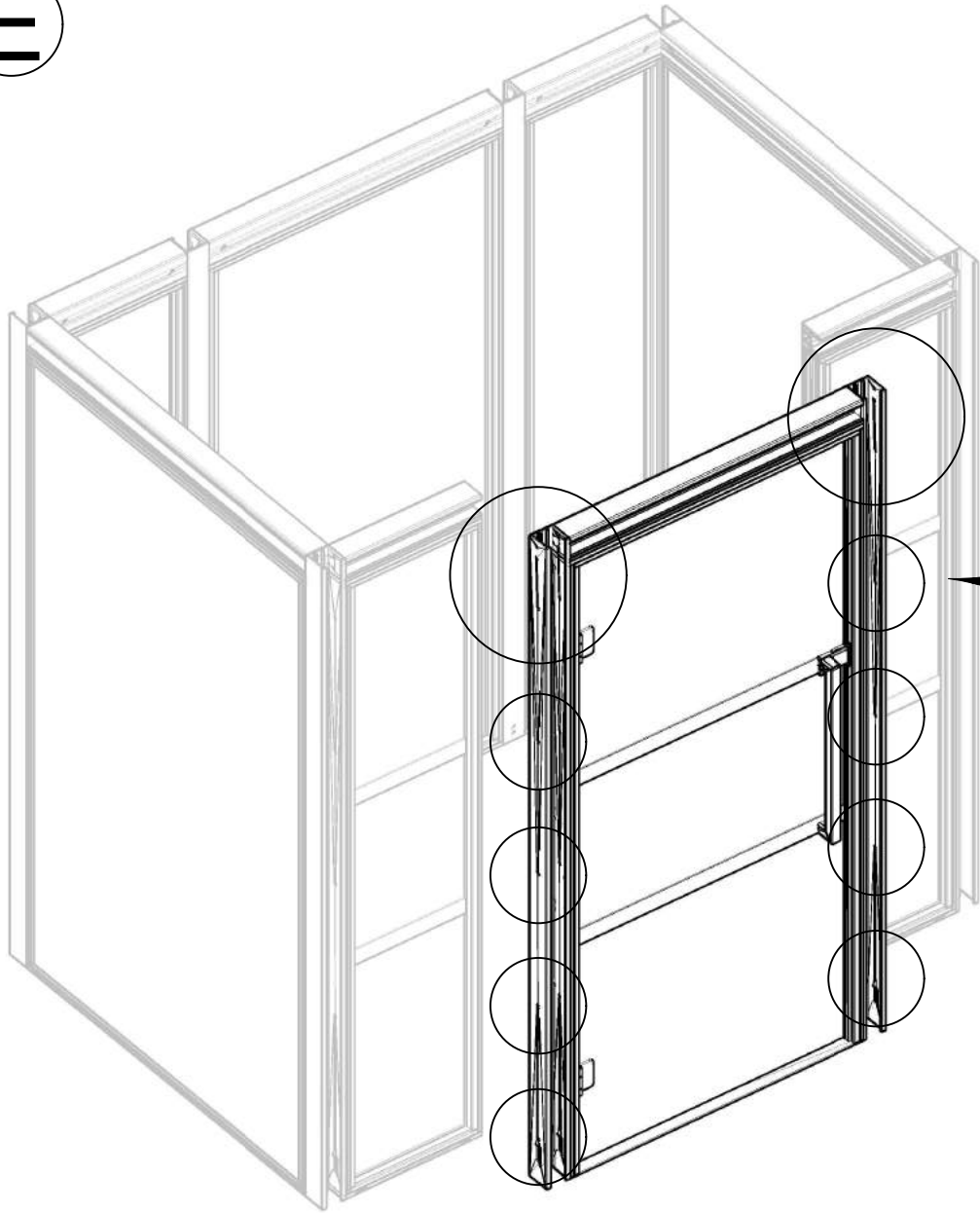
C



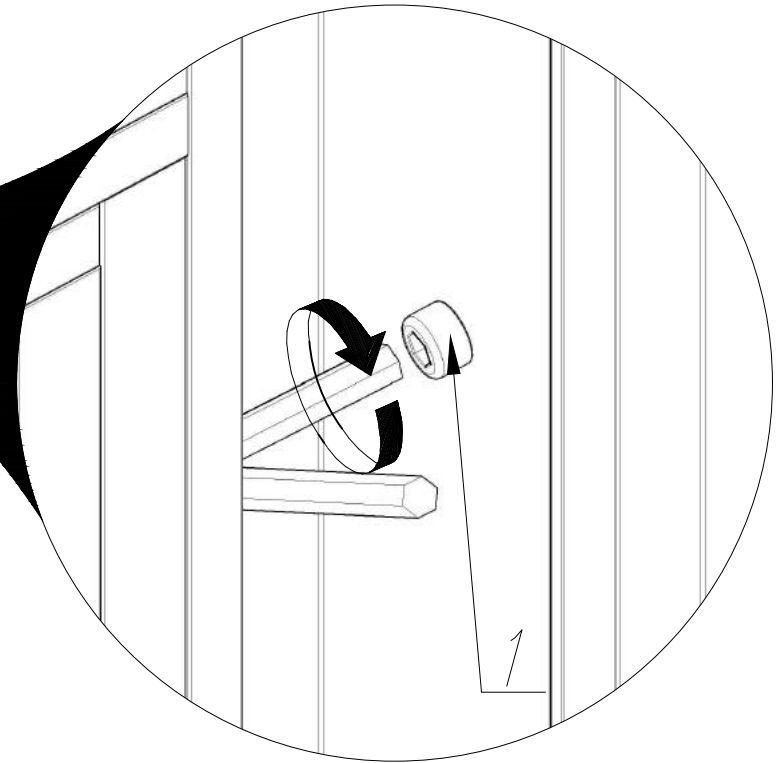
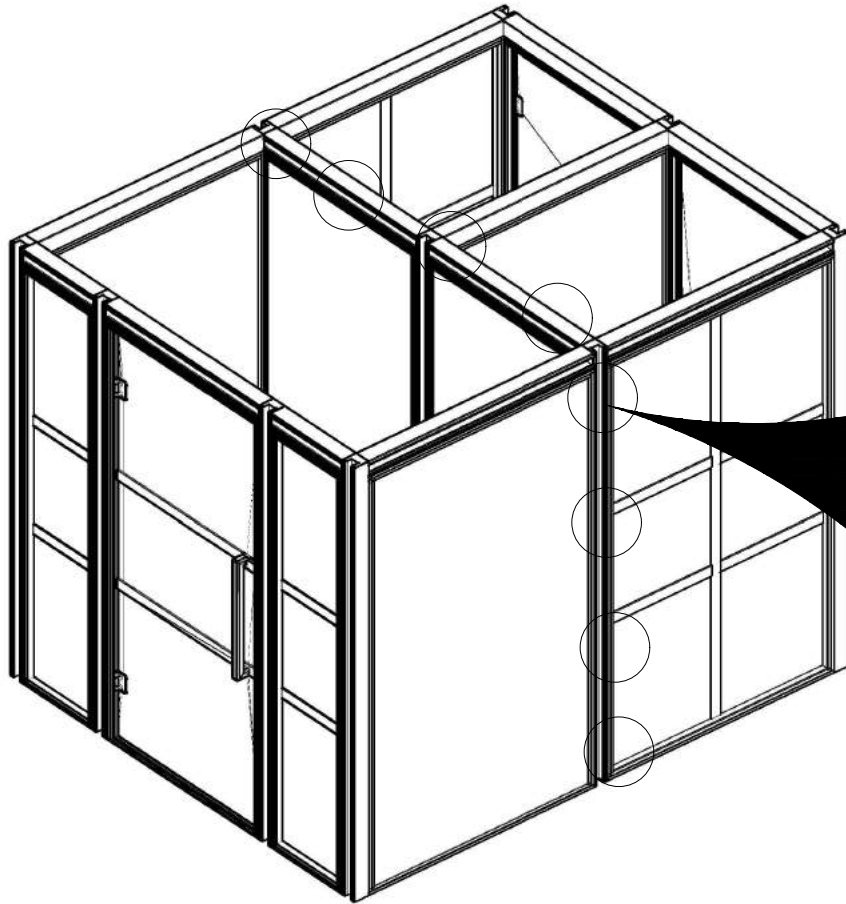
D



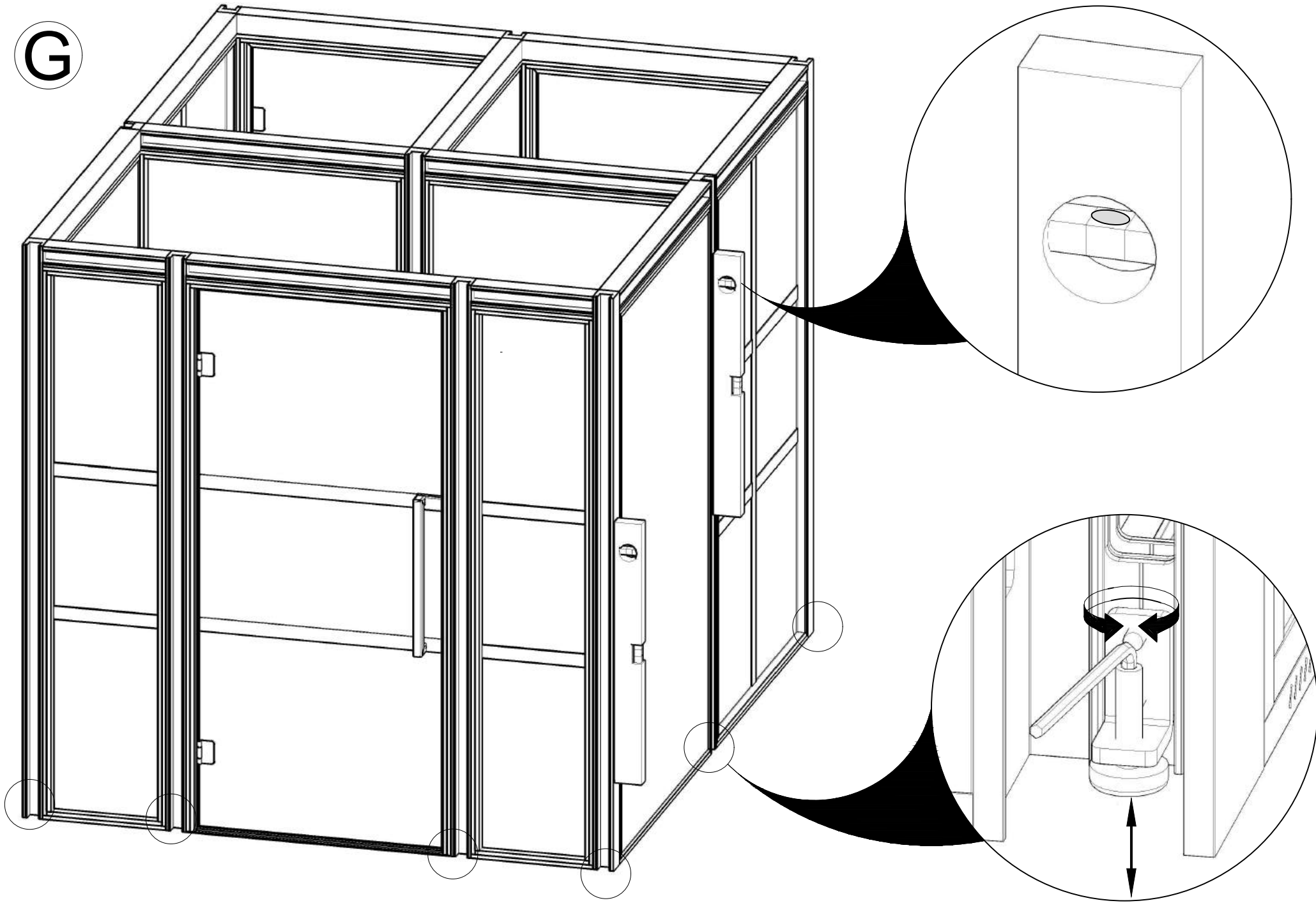
E



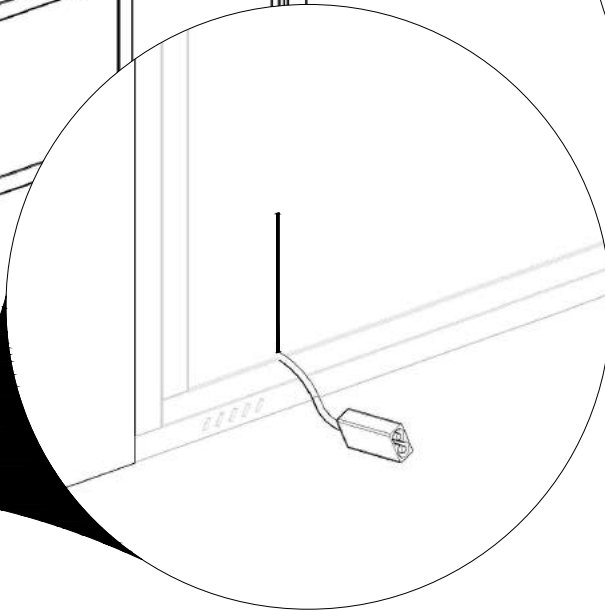
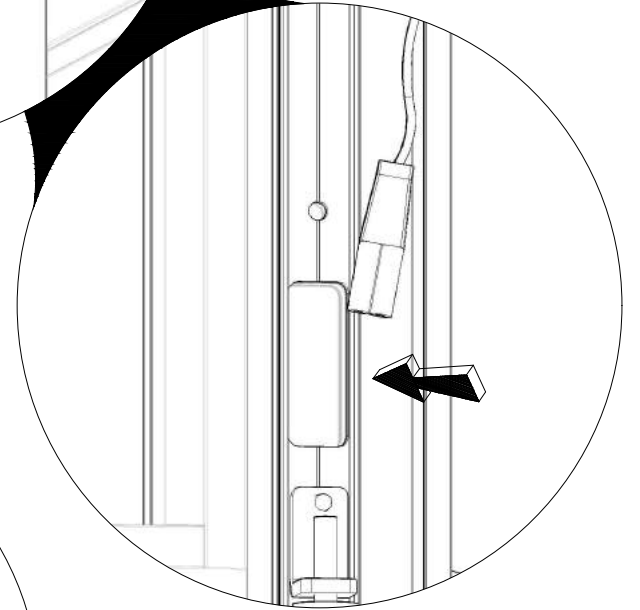
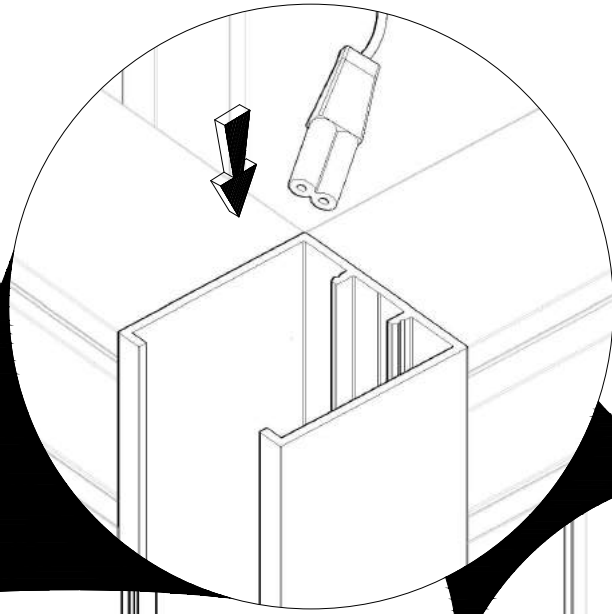
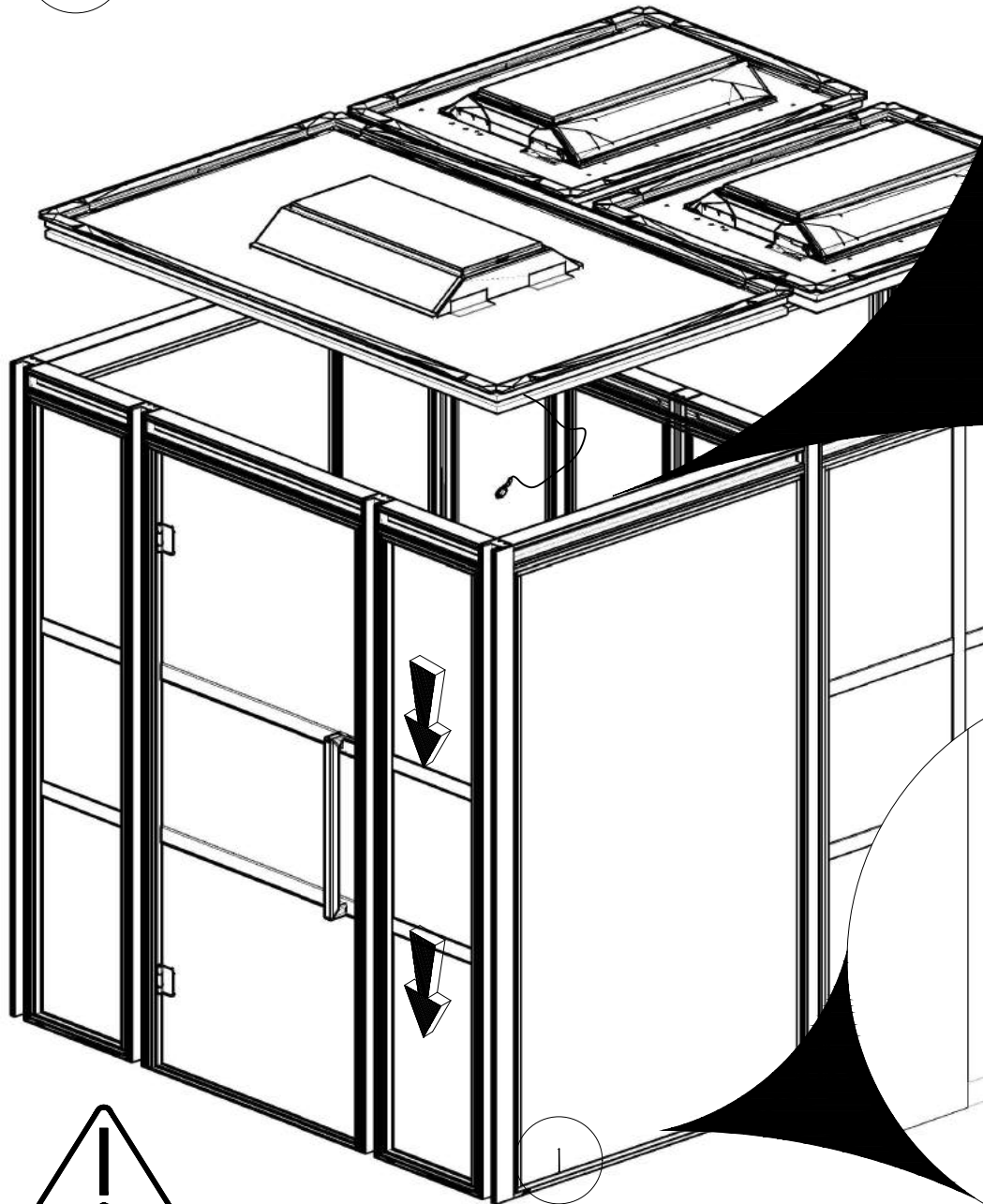
F



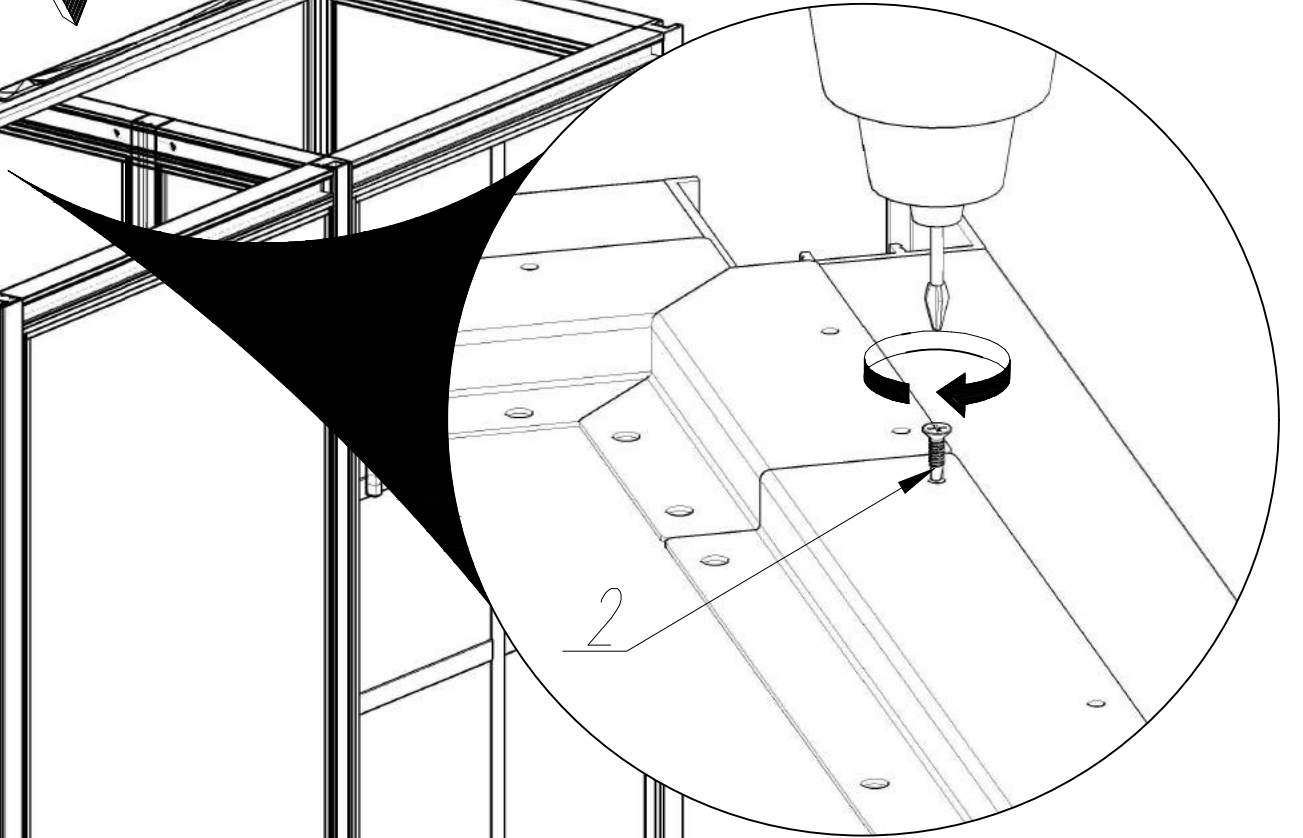
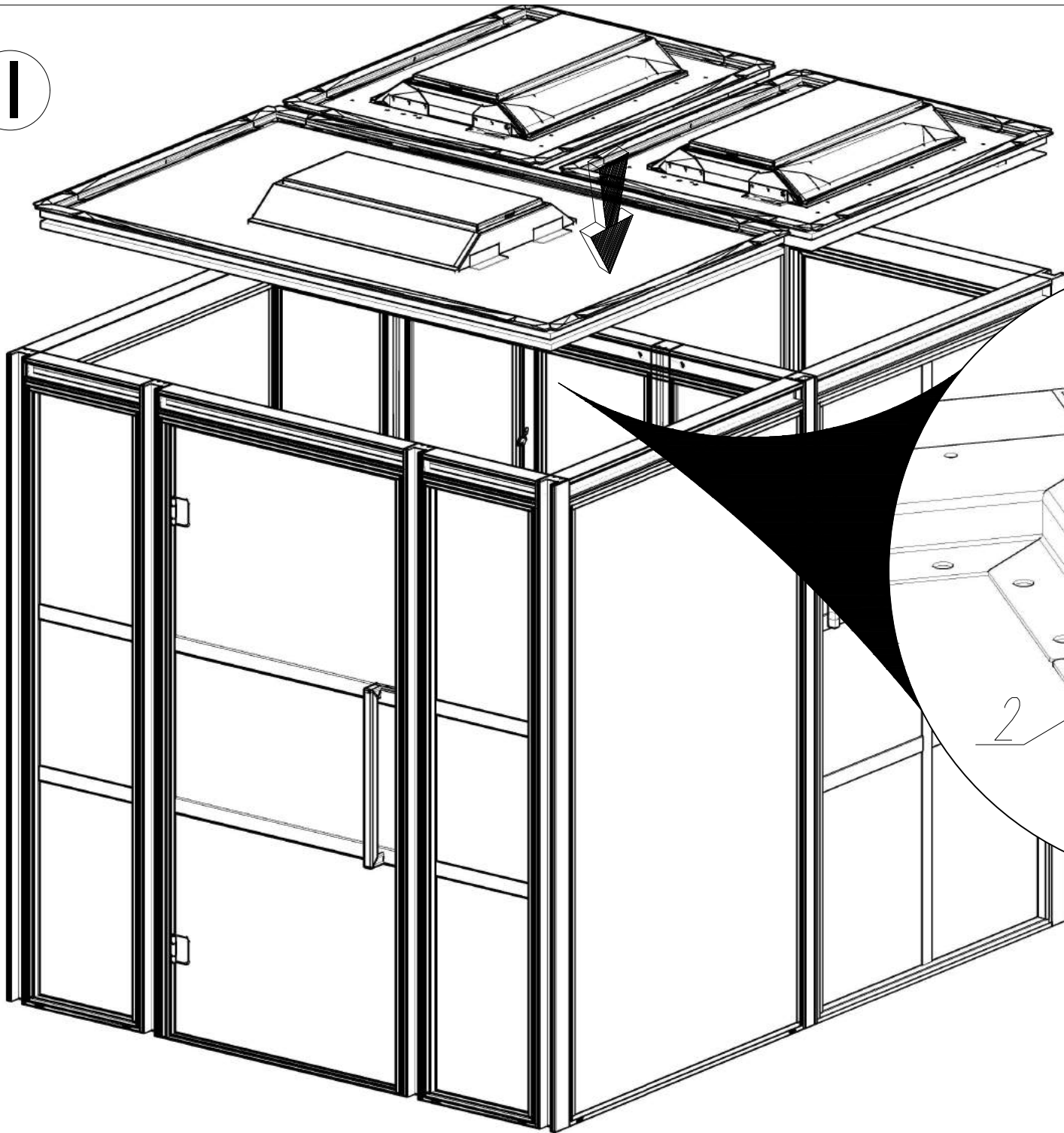
G



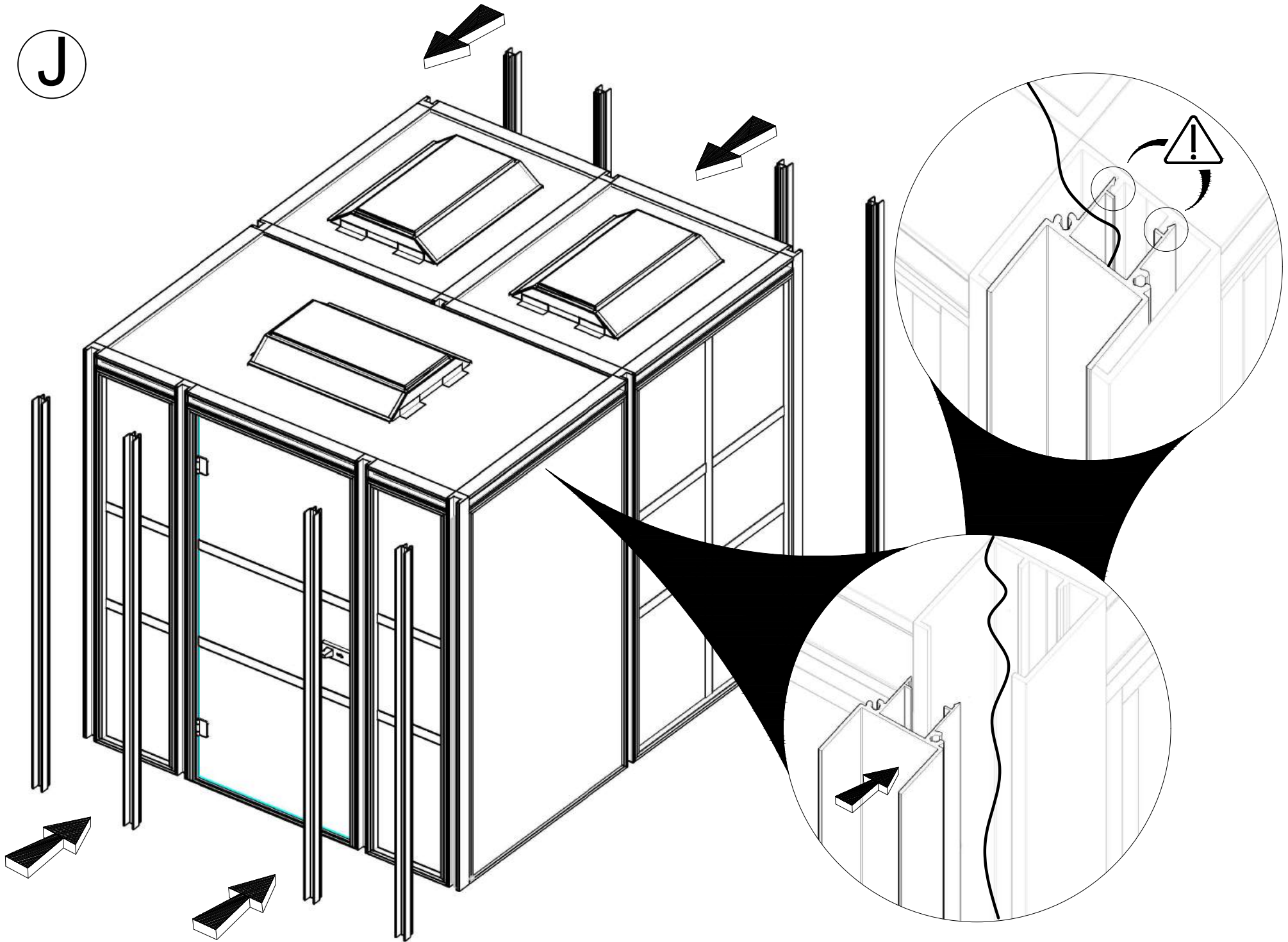
H



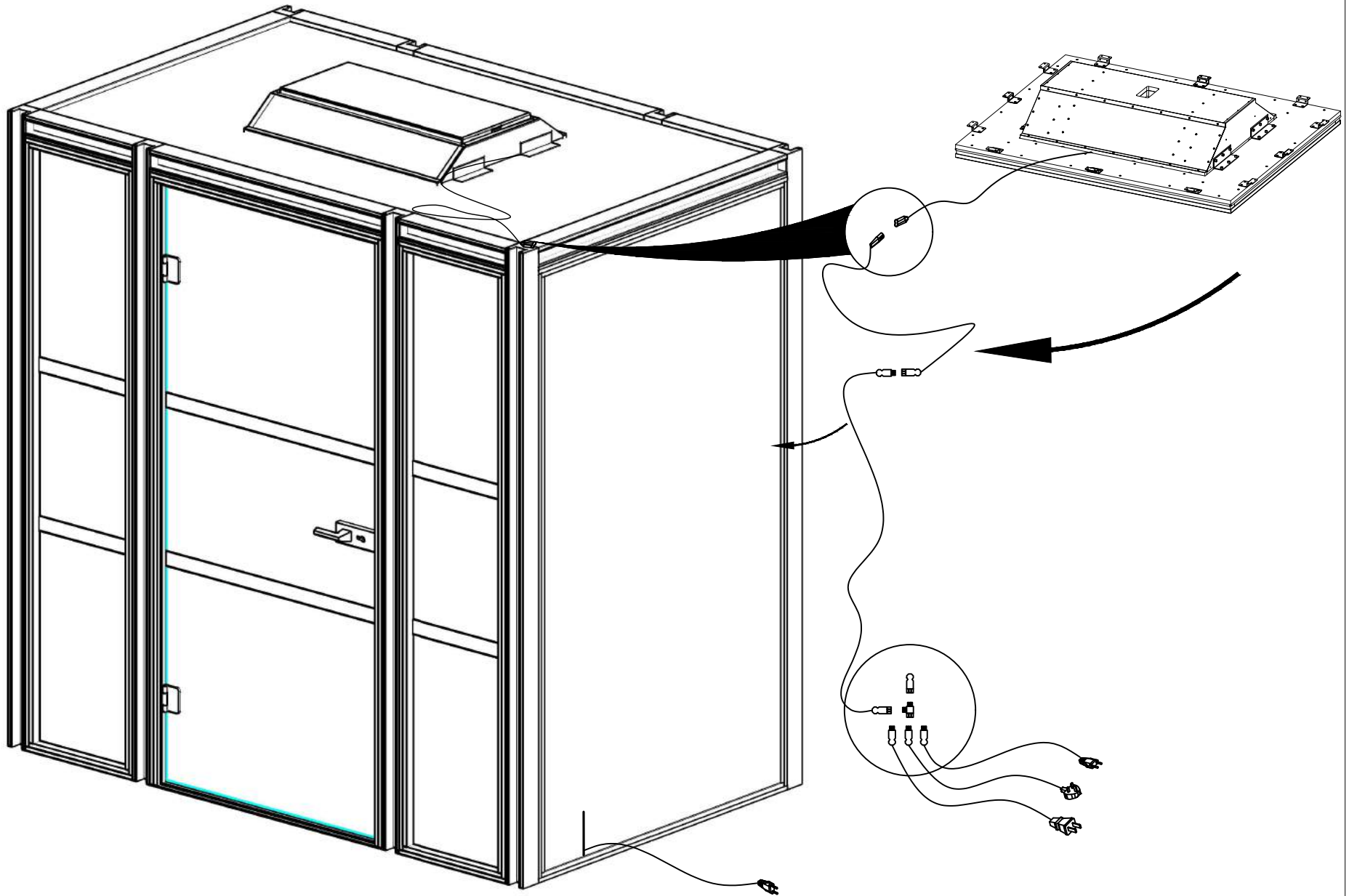
1



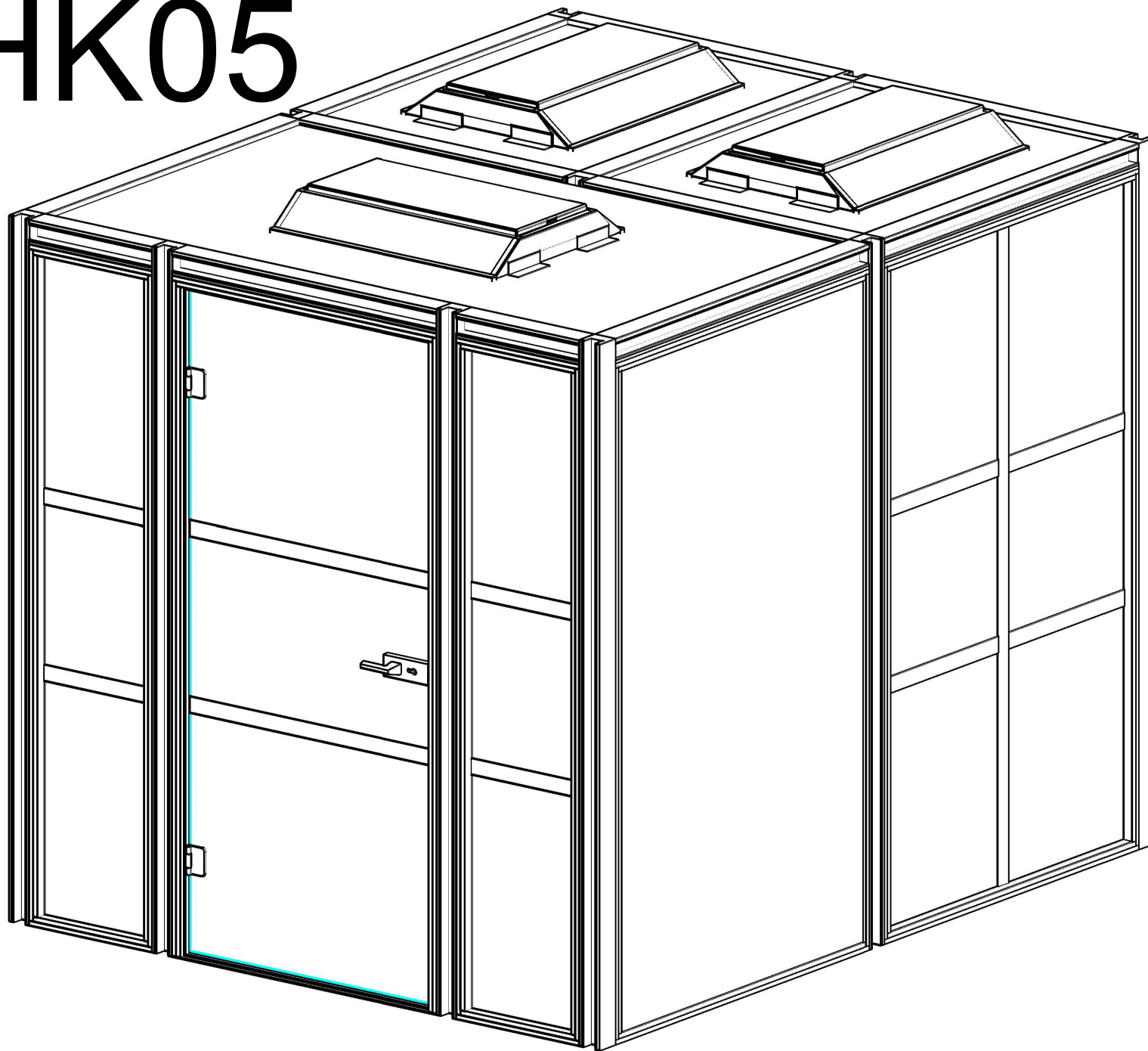
J

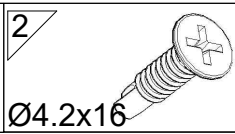
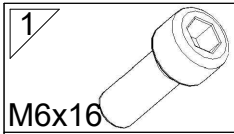


K



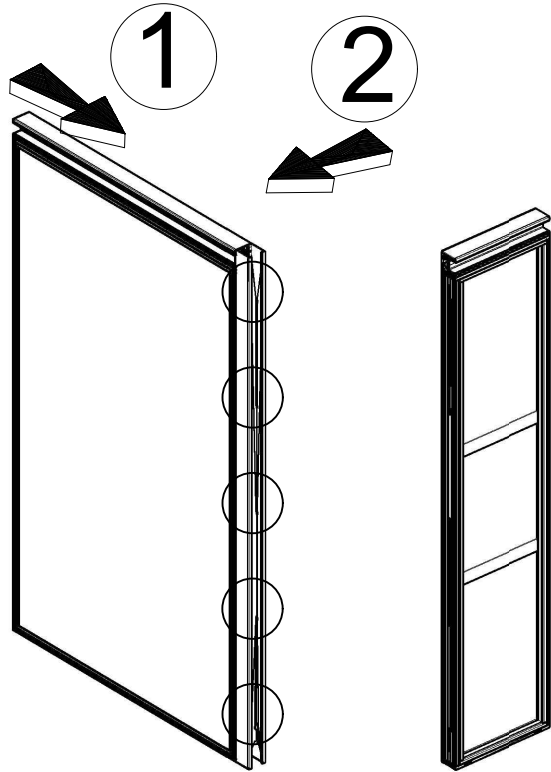
HK05



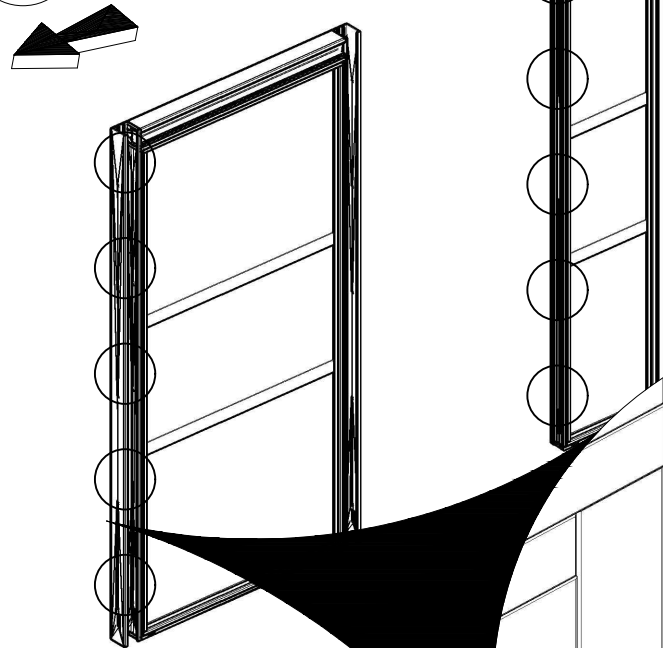


HK05

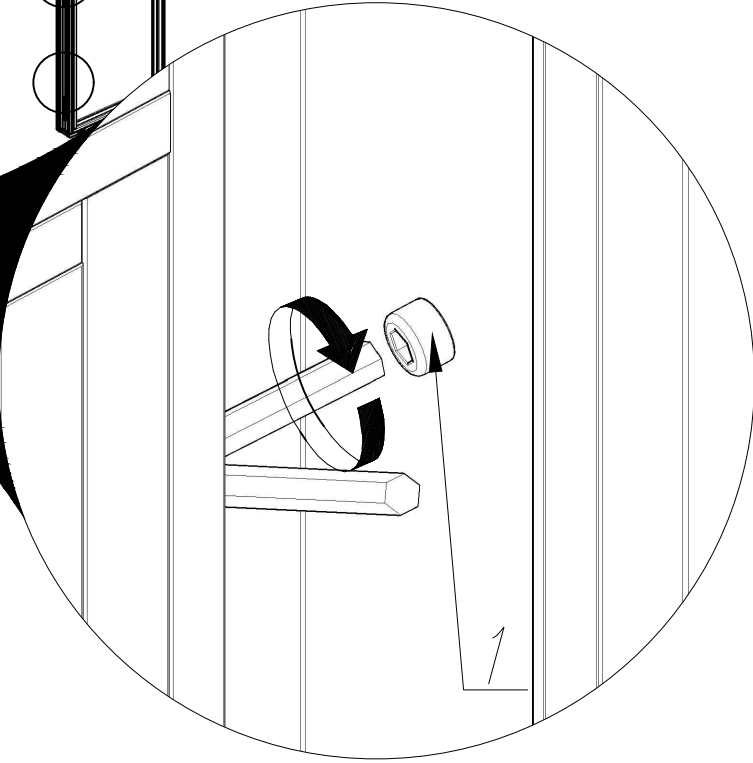
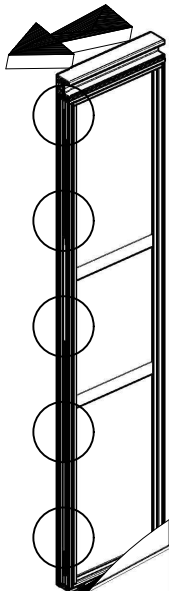
A



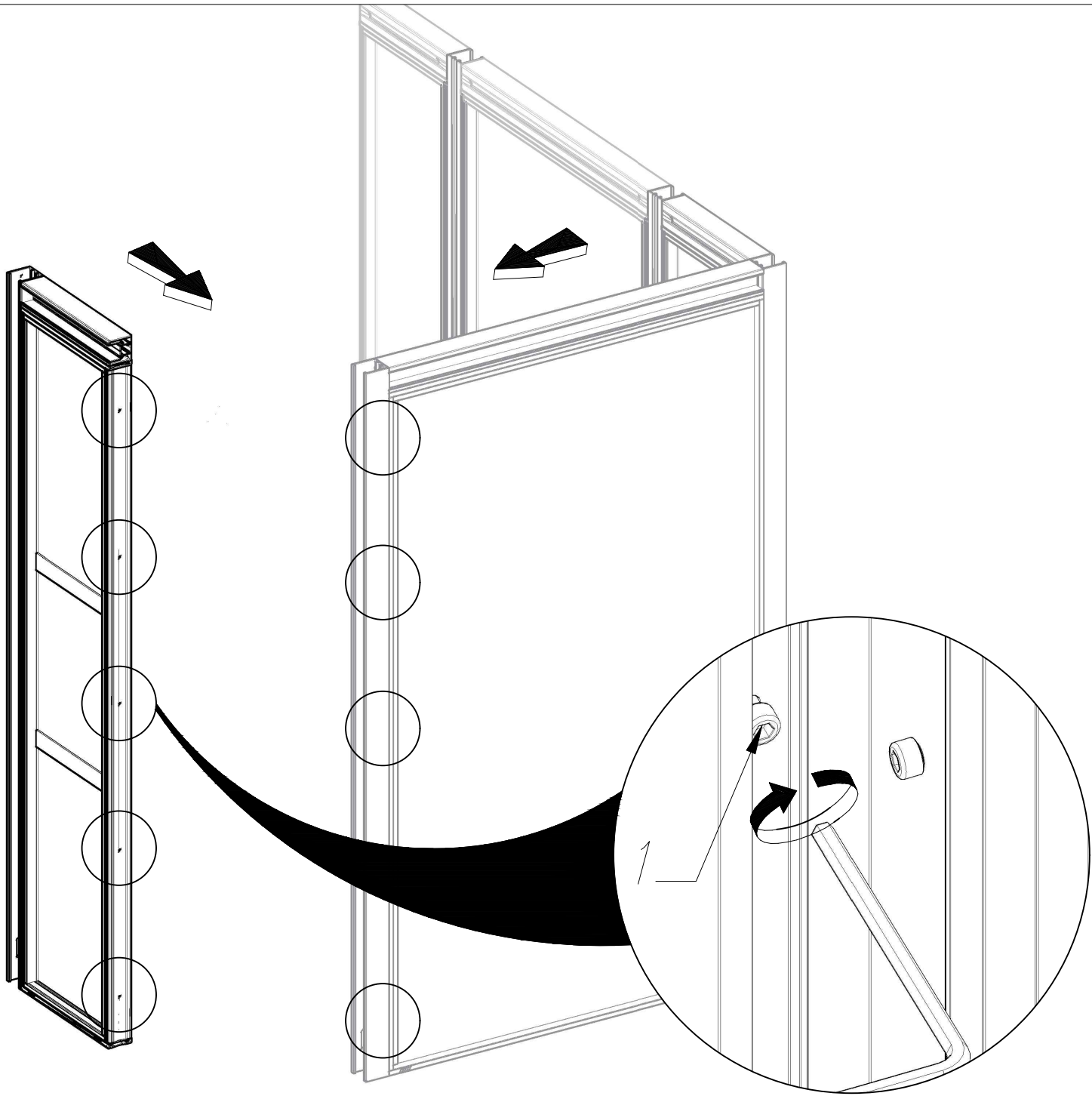
3



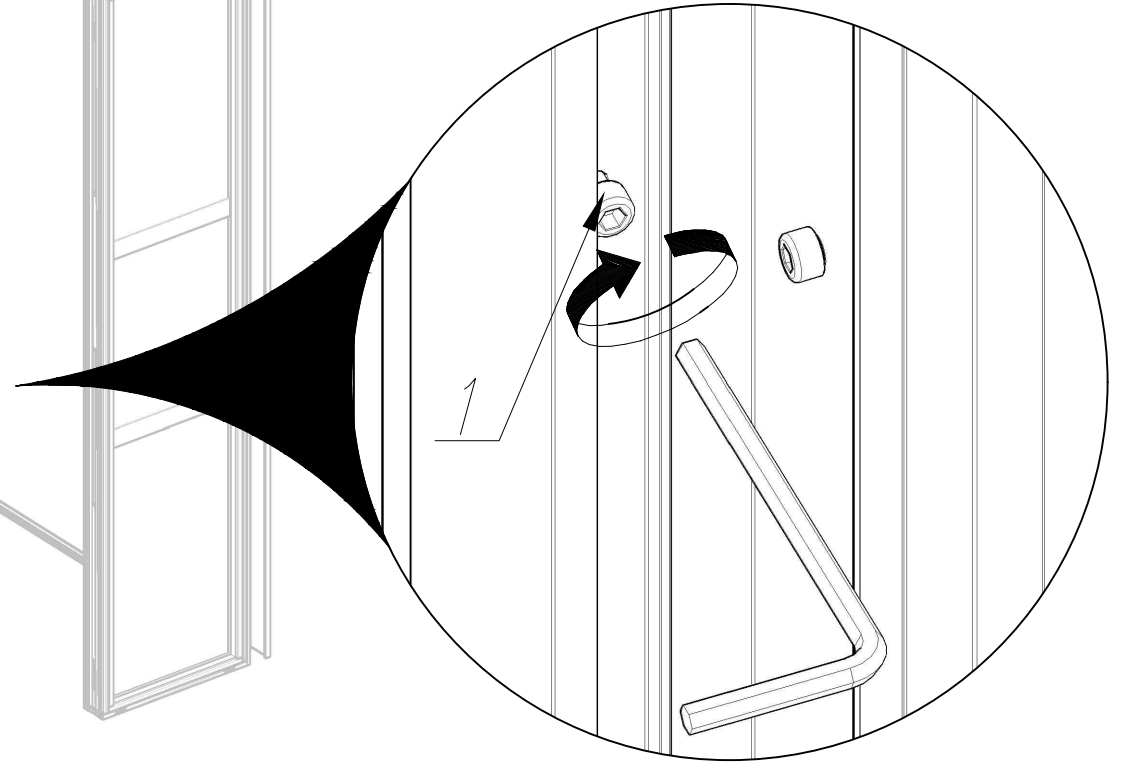
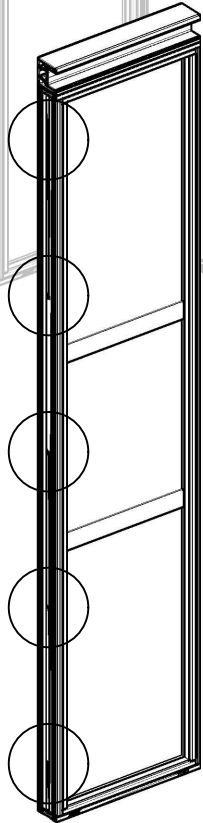
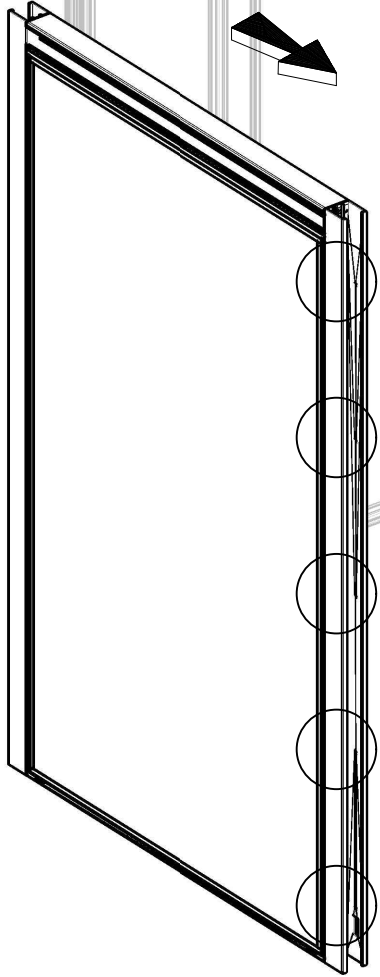
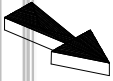
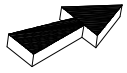
4



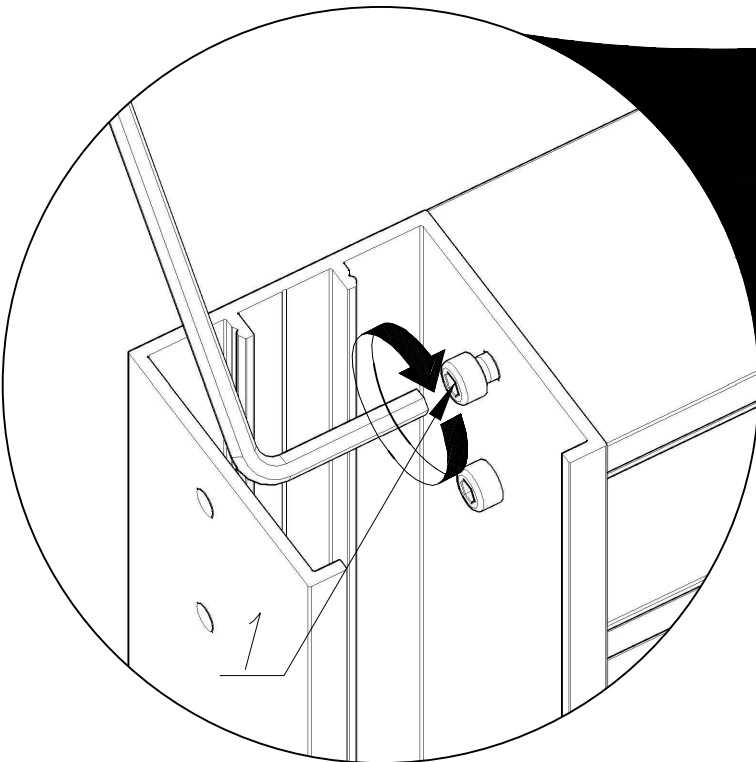
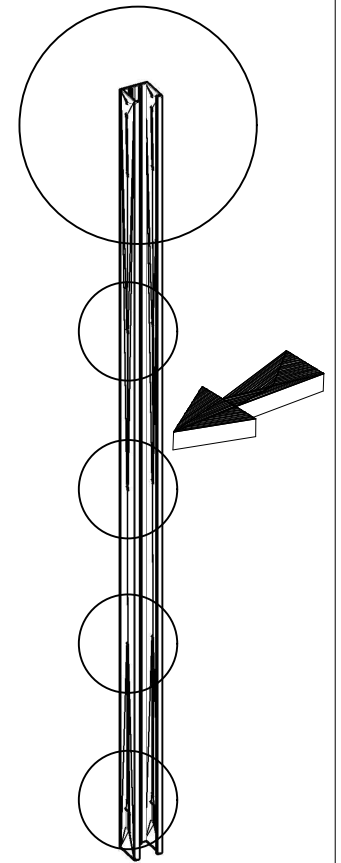
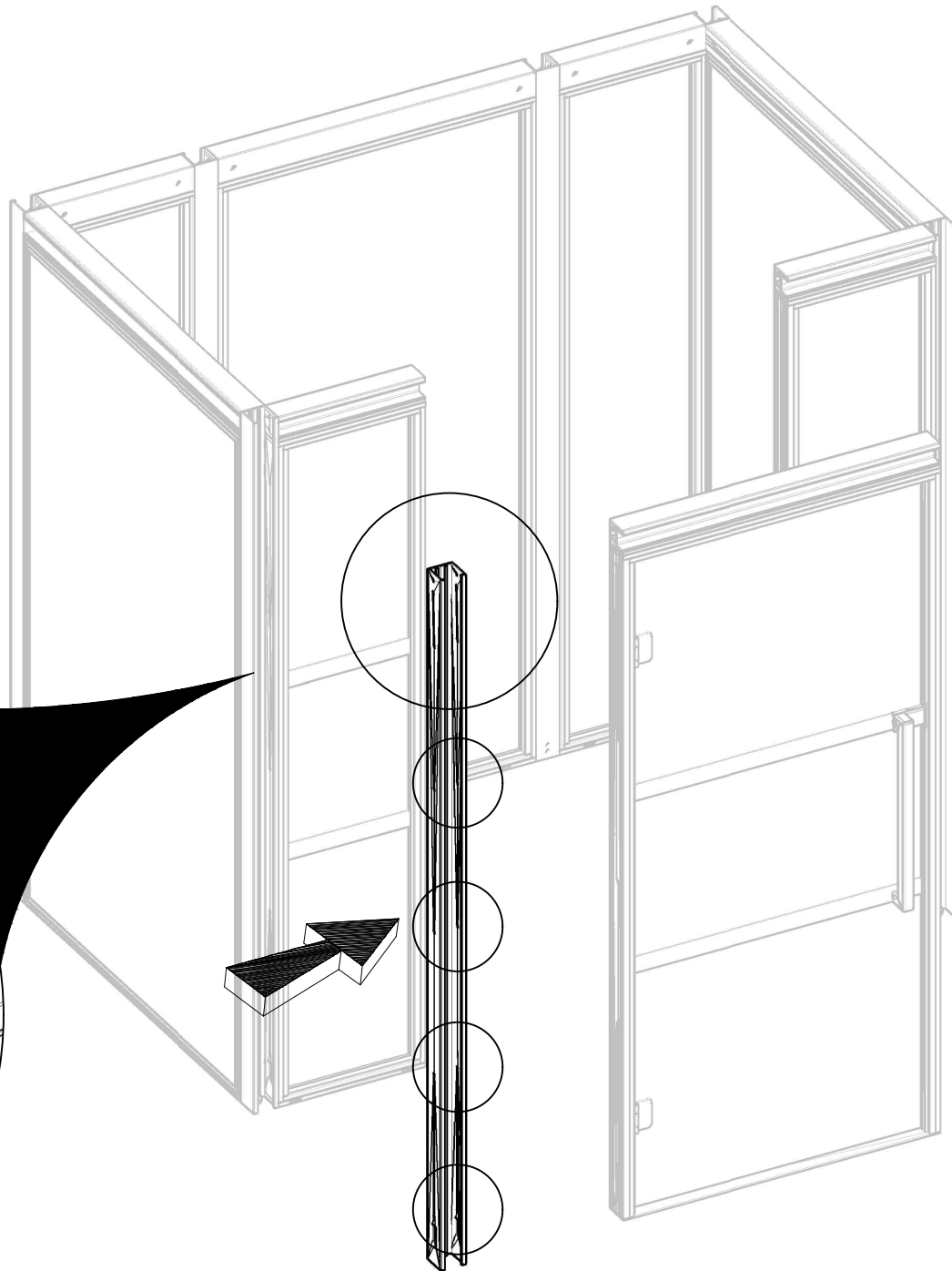
B



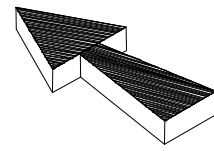
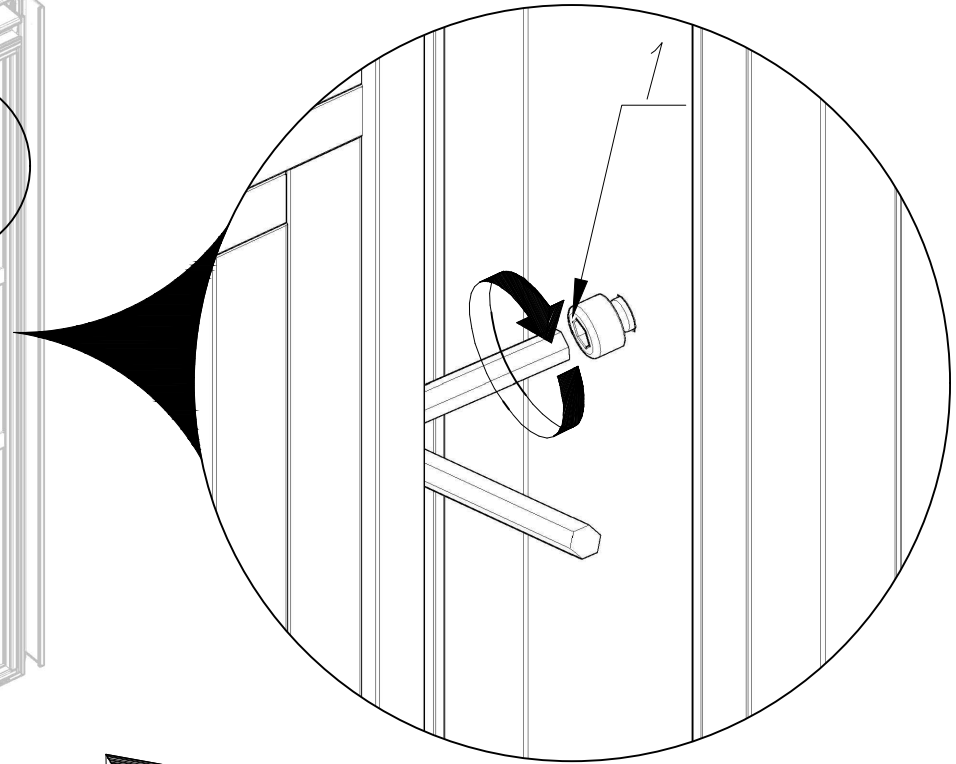
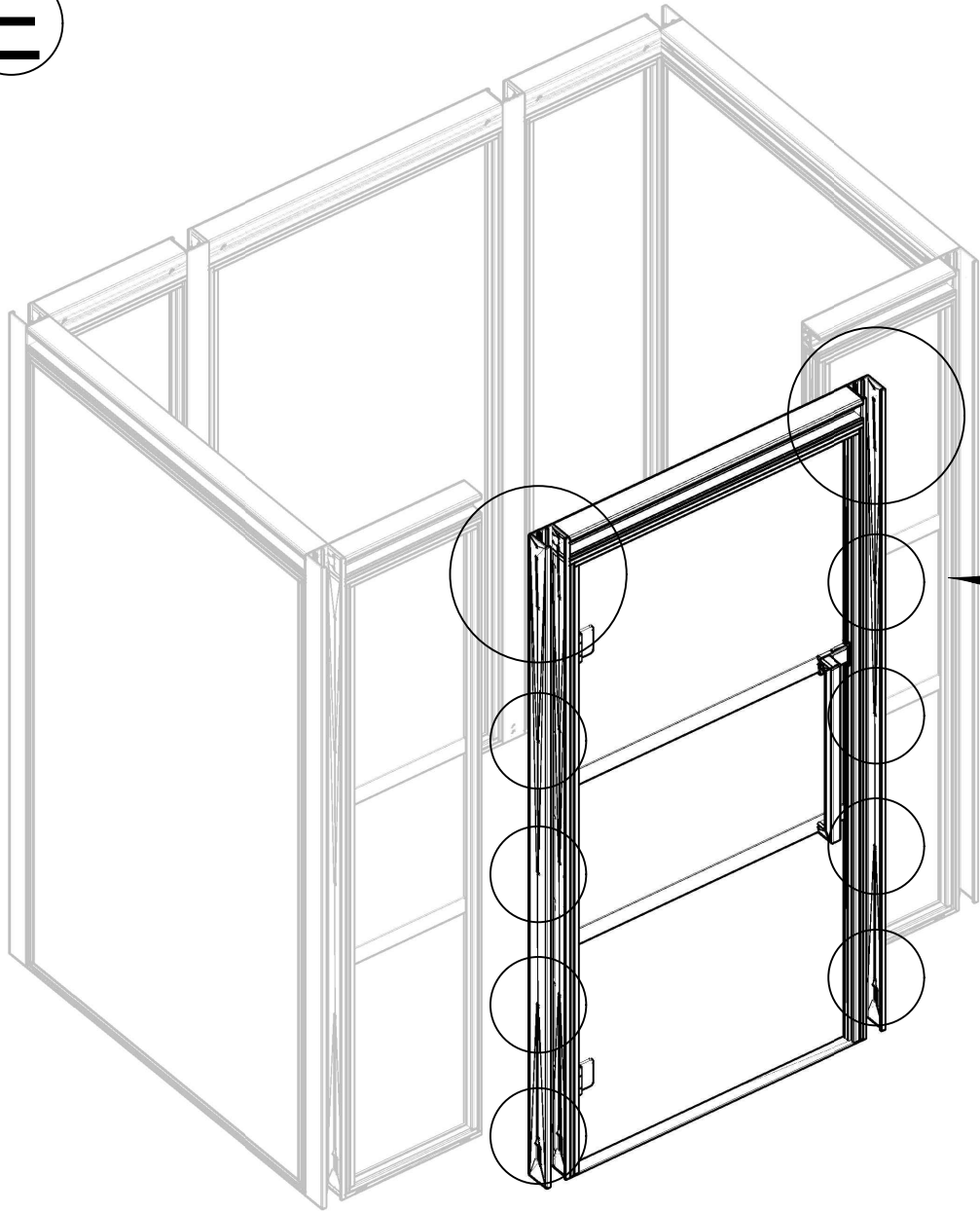
C



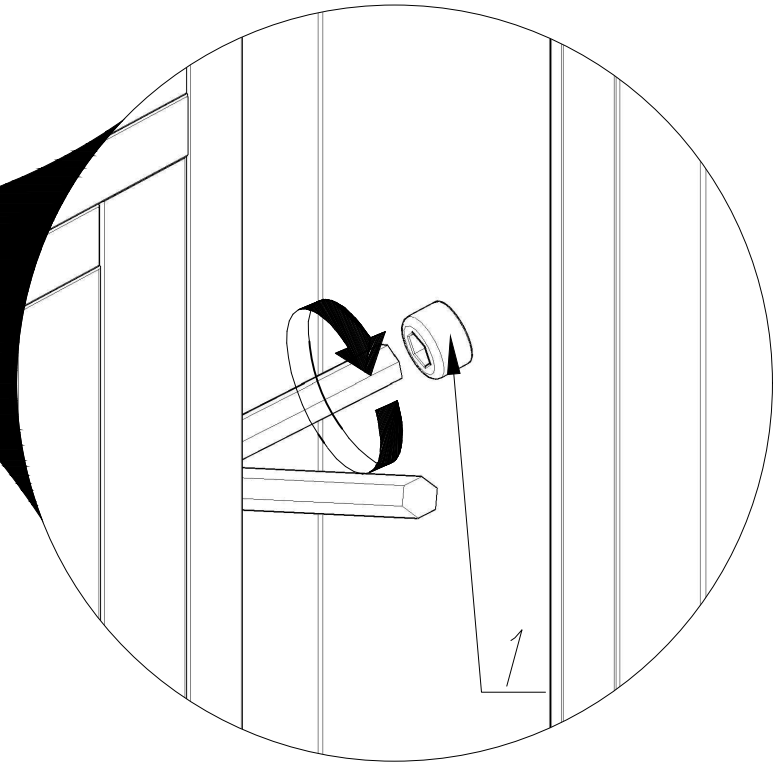
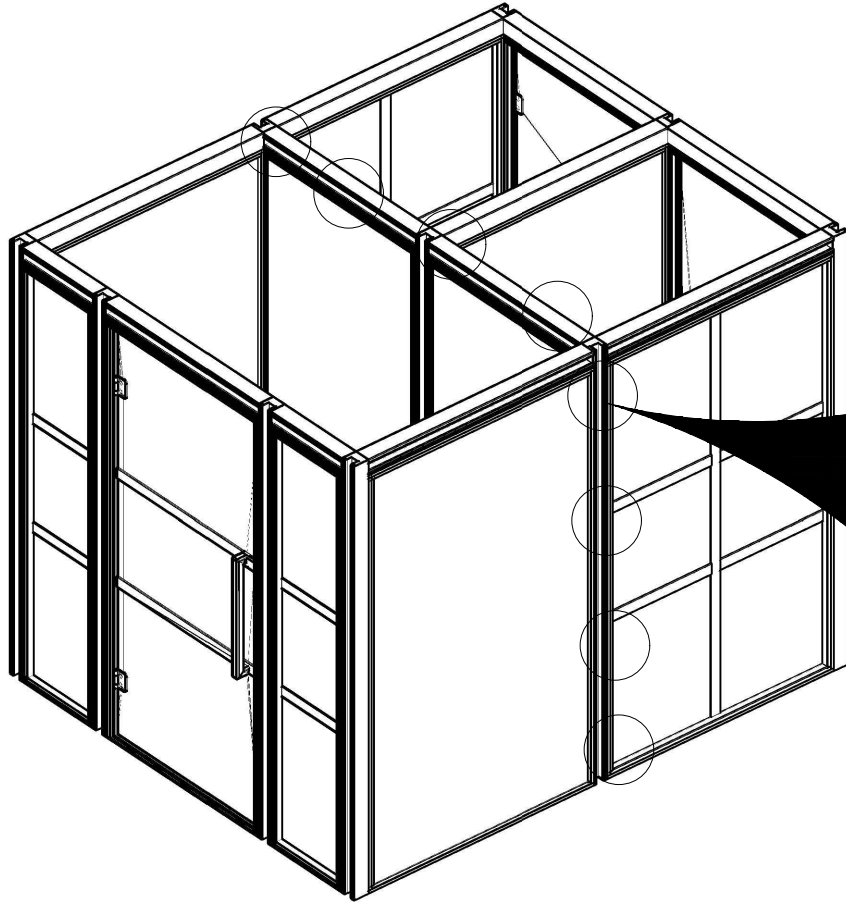
D



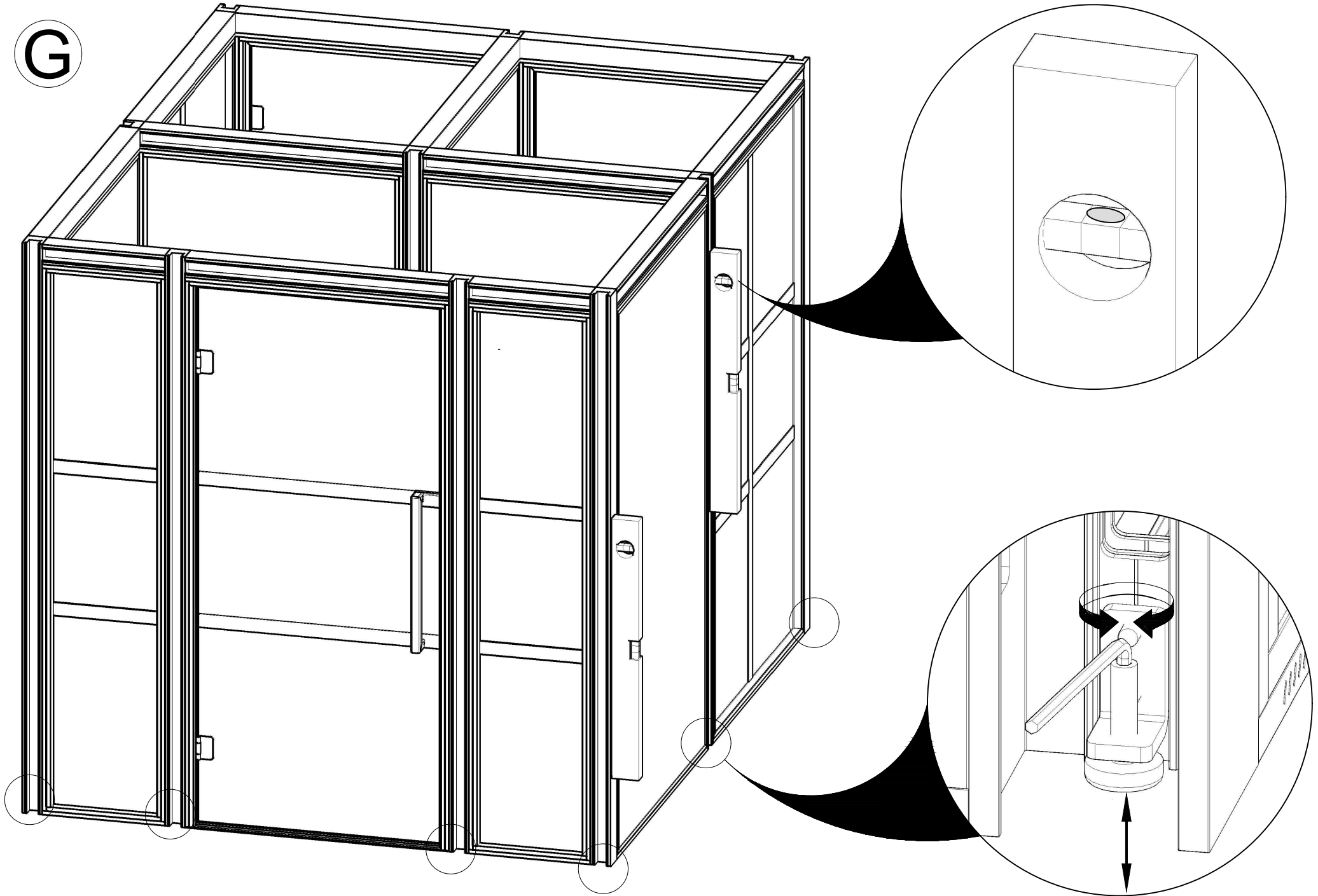
E



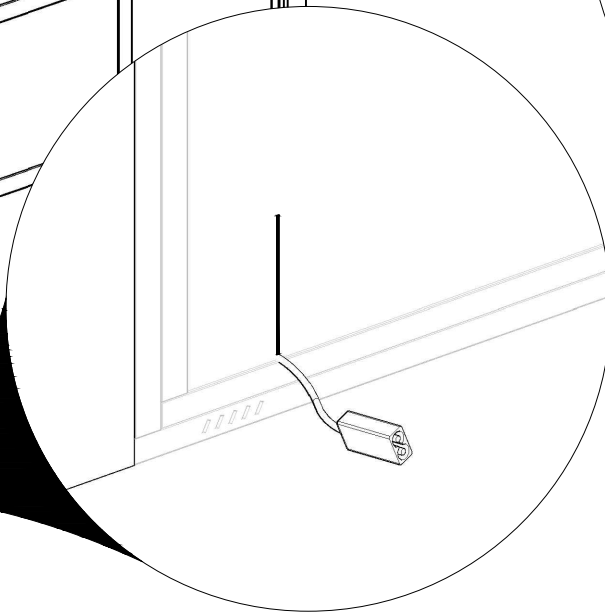
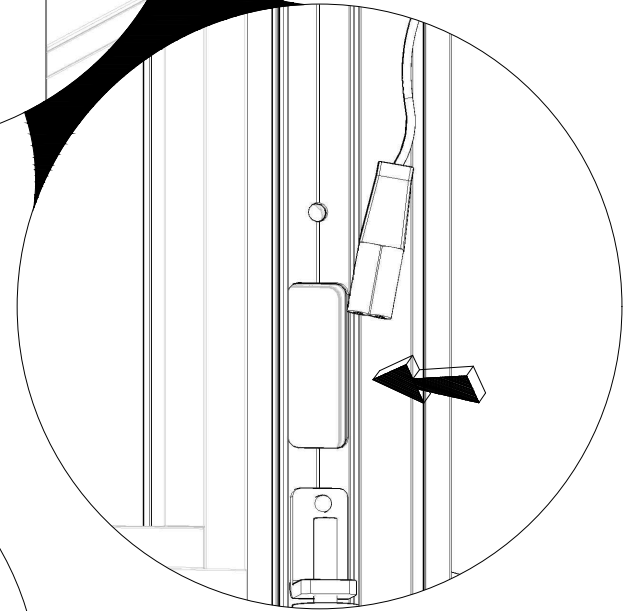
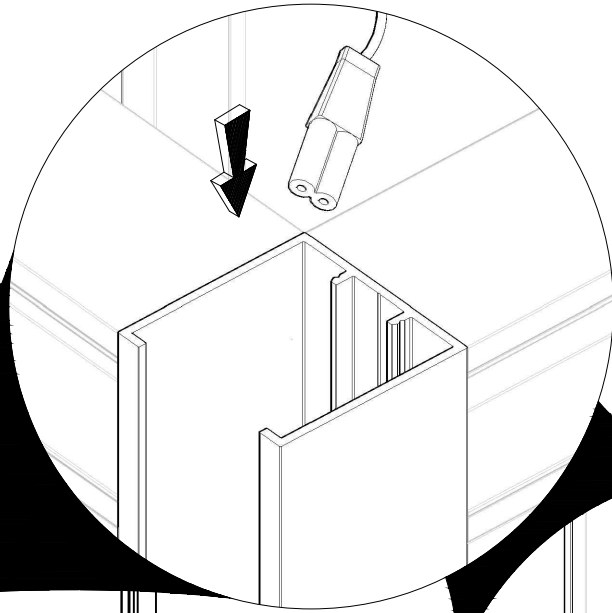
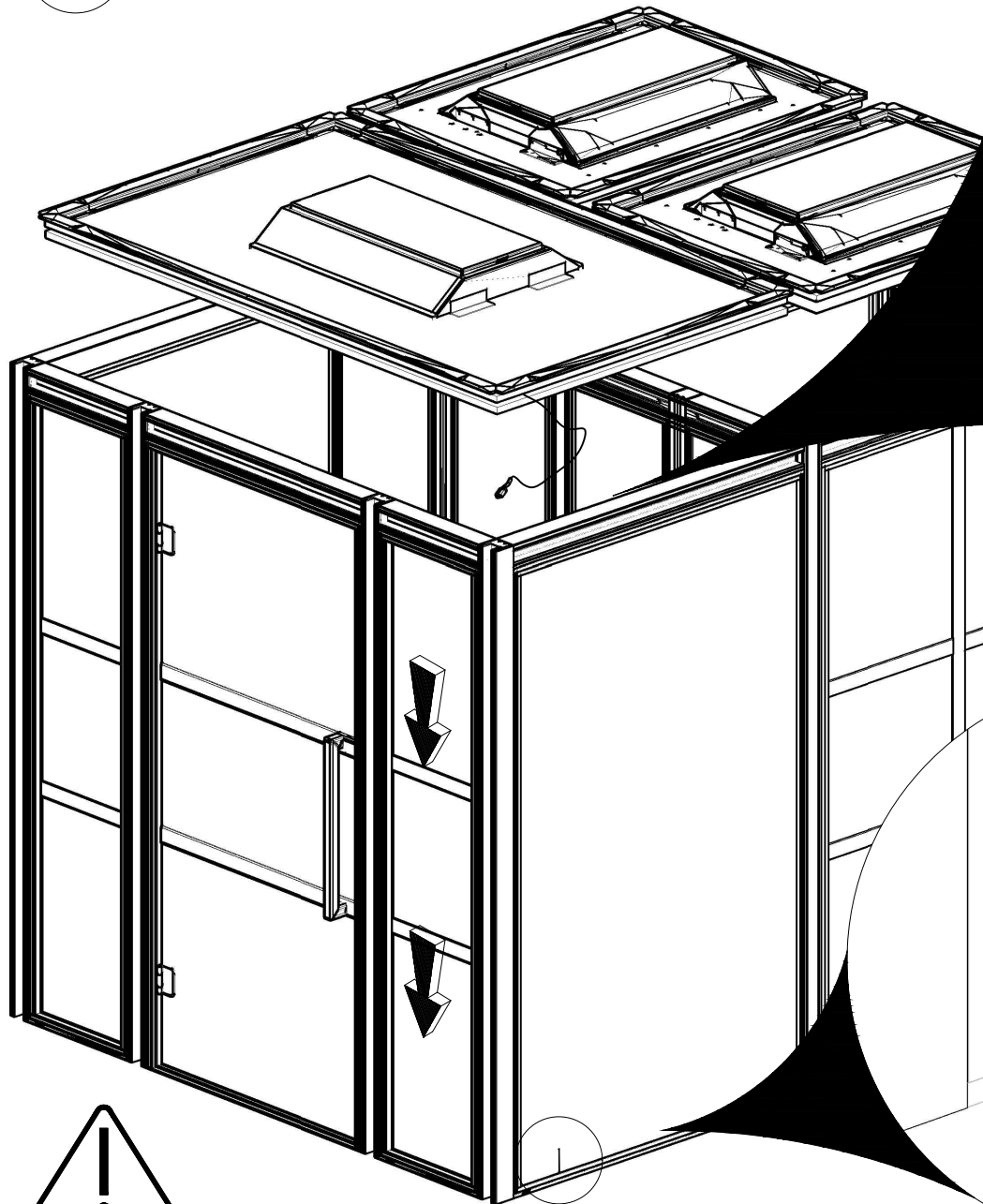
F



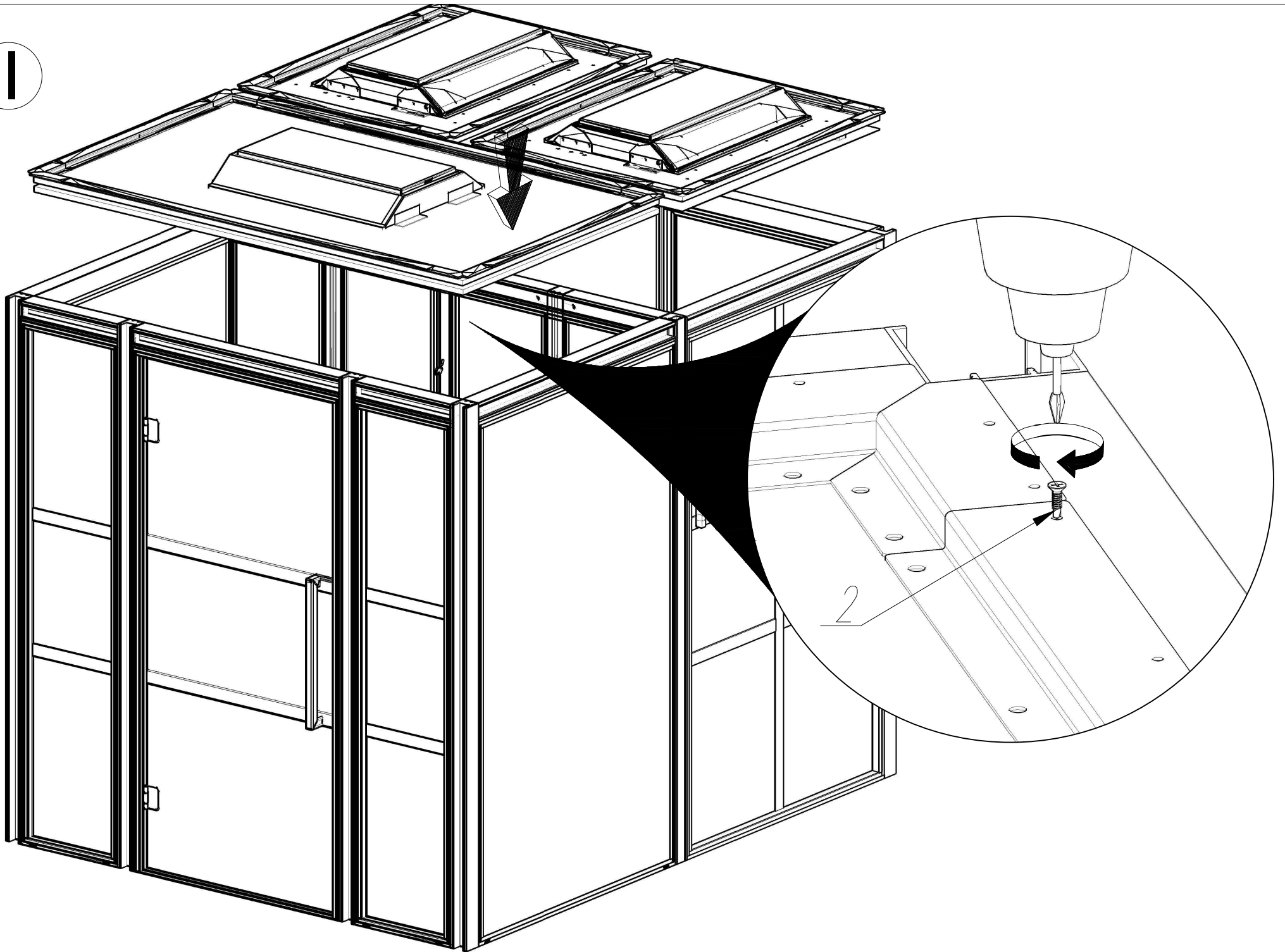
G



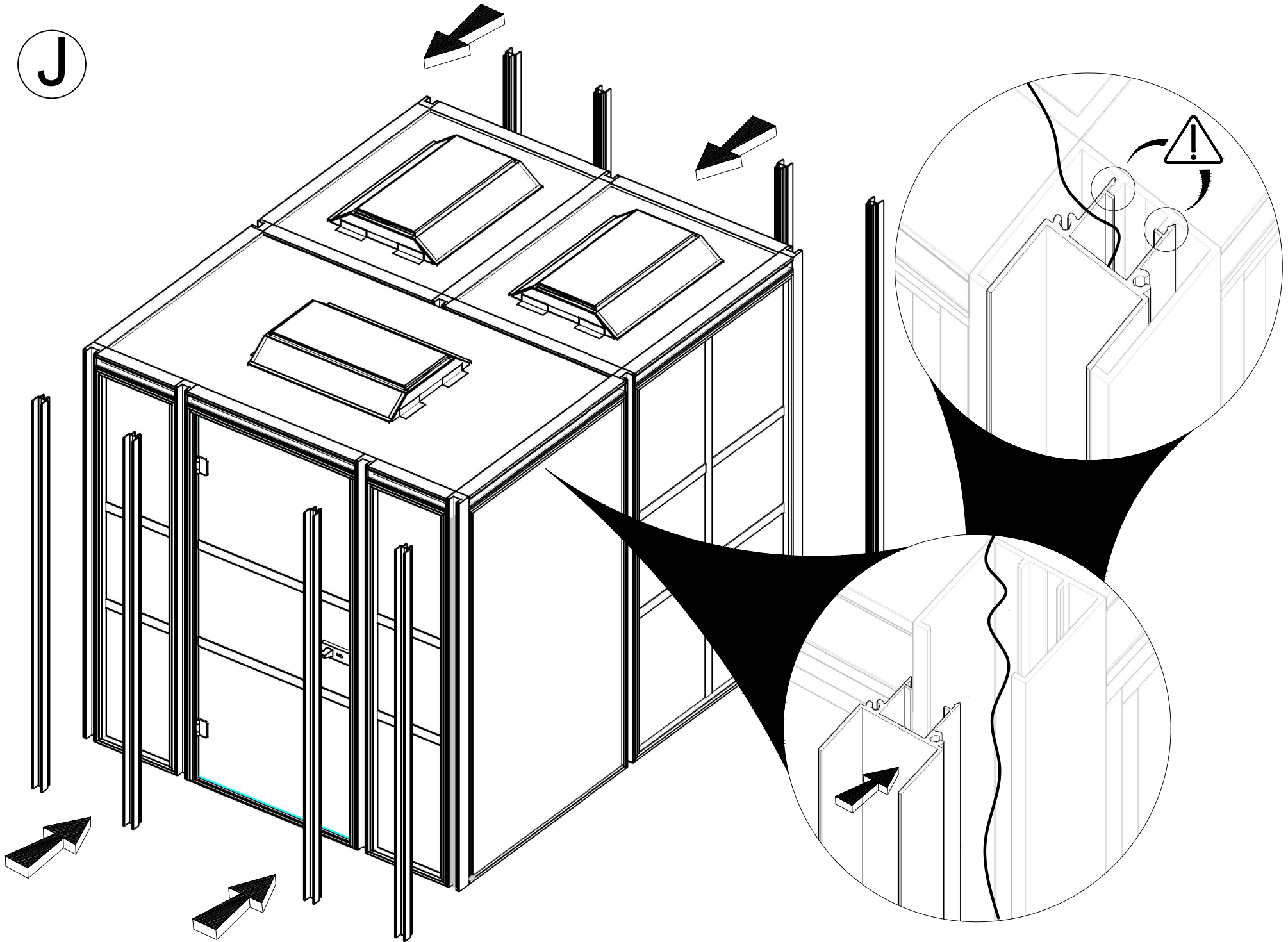
H



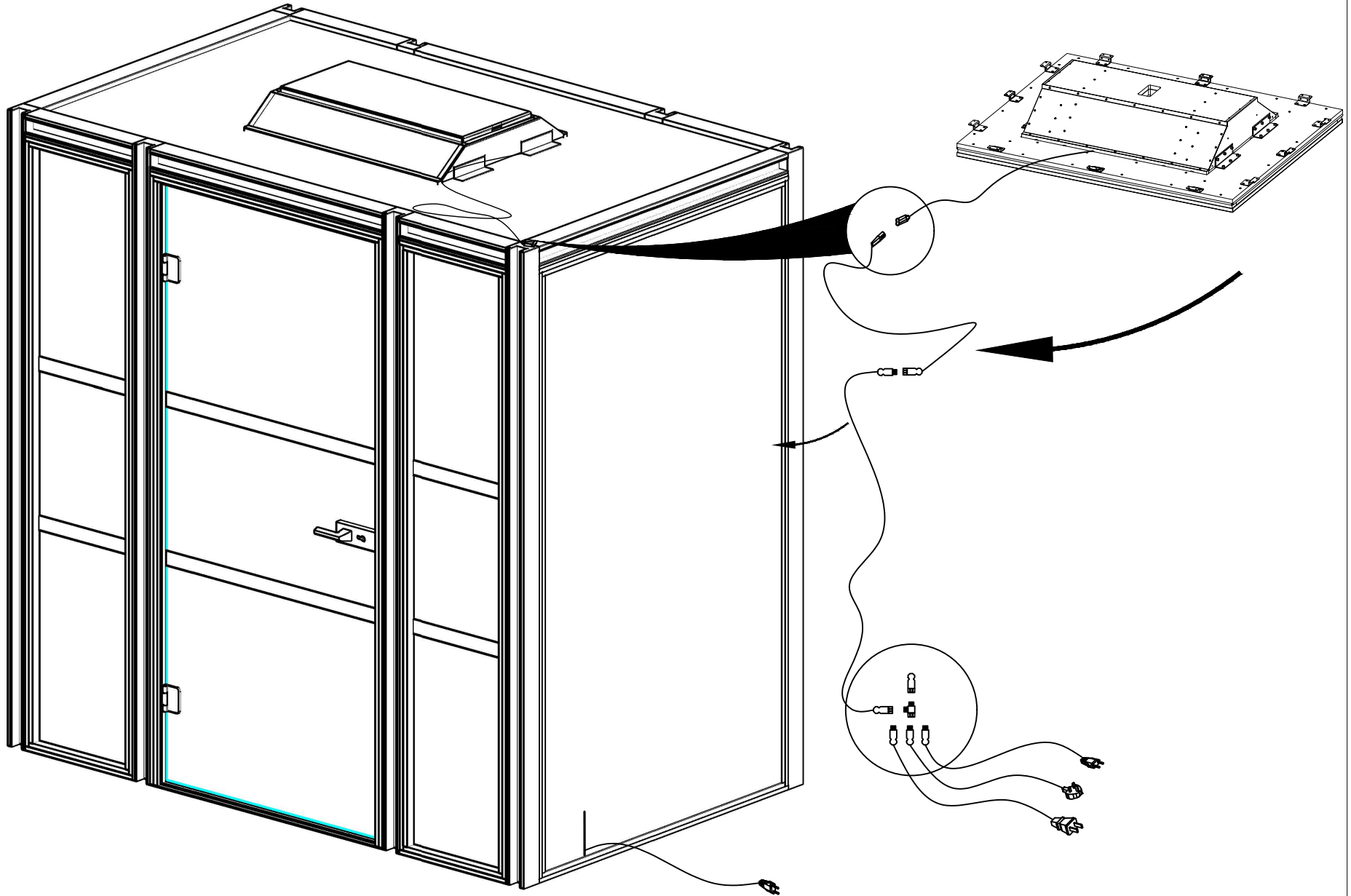
I



J

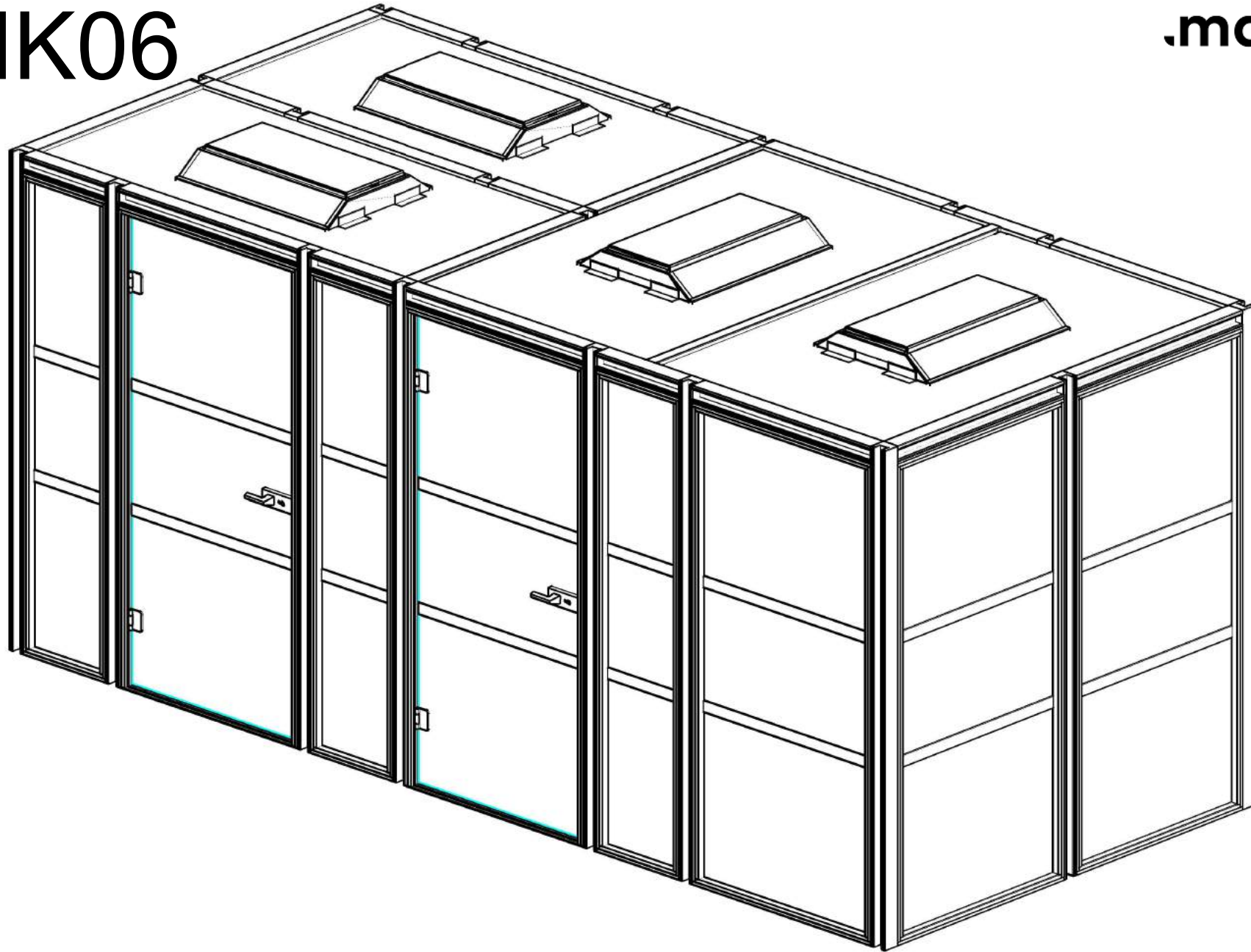


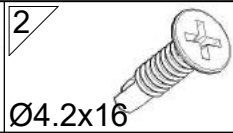
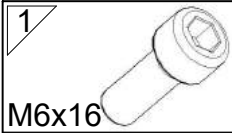
K



HK06

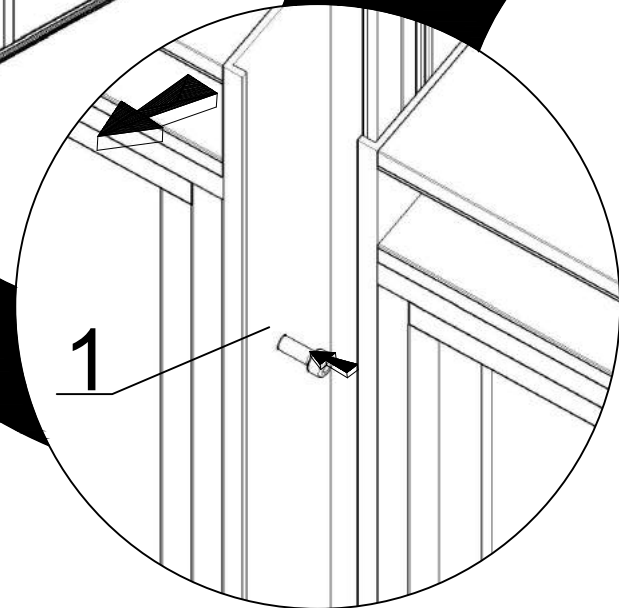
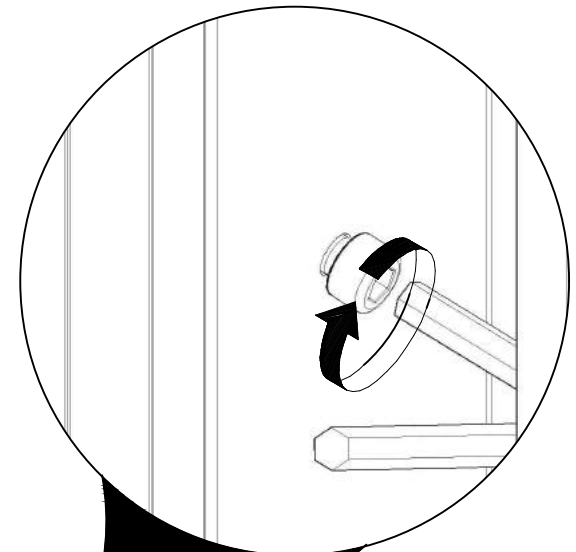
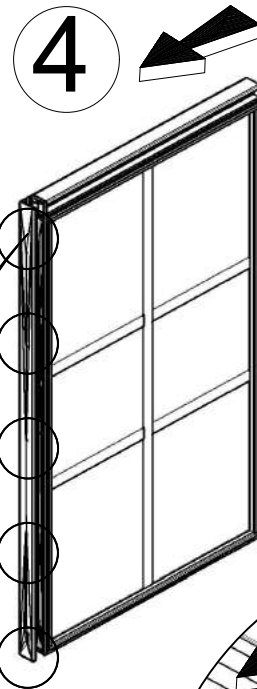
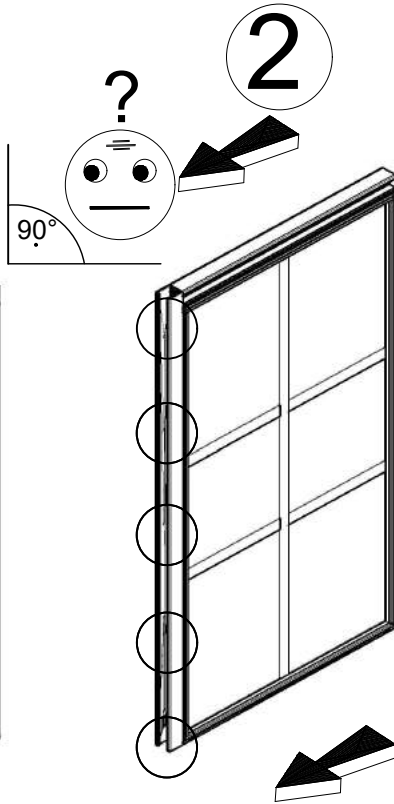
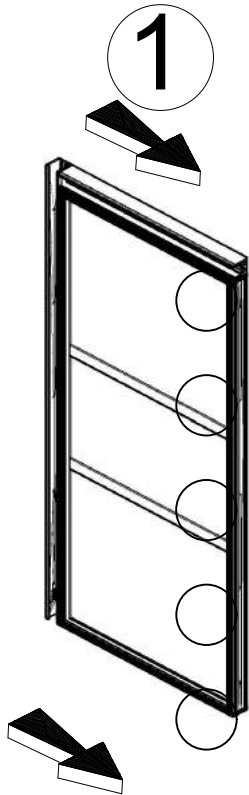
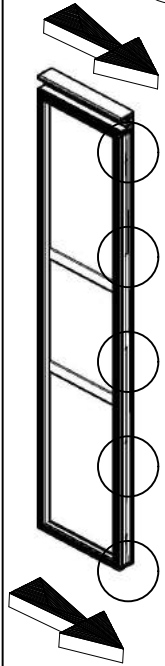
.mdd



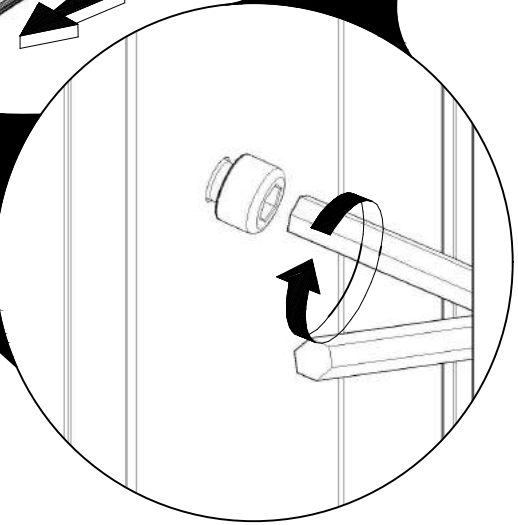
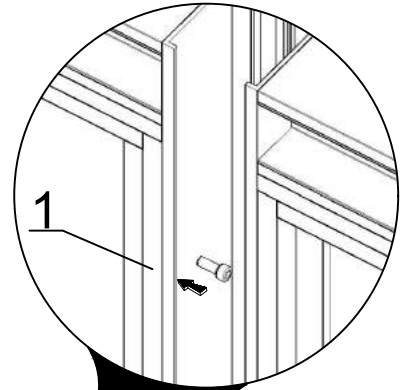
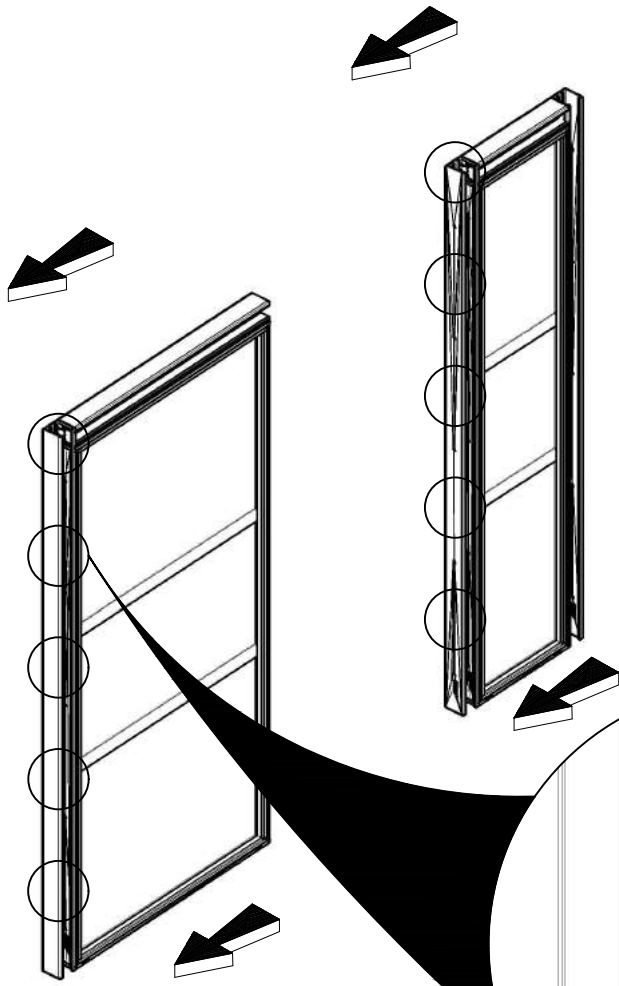
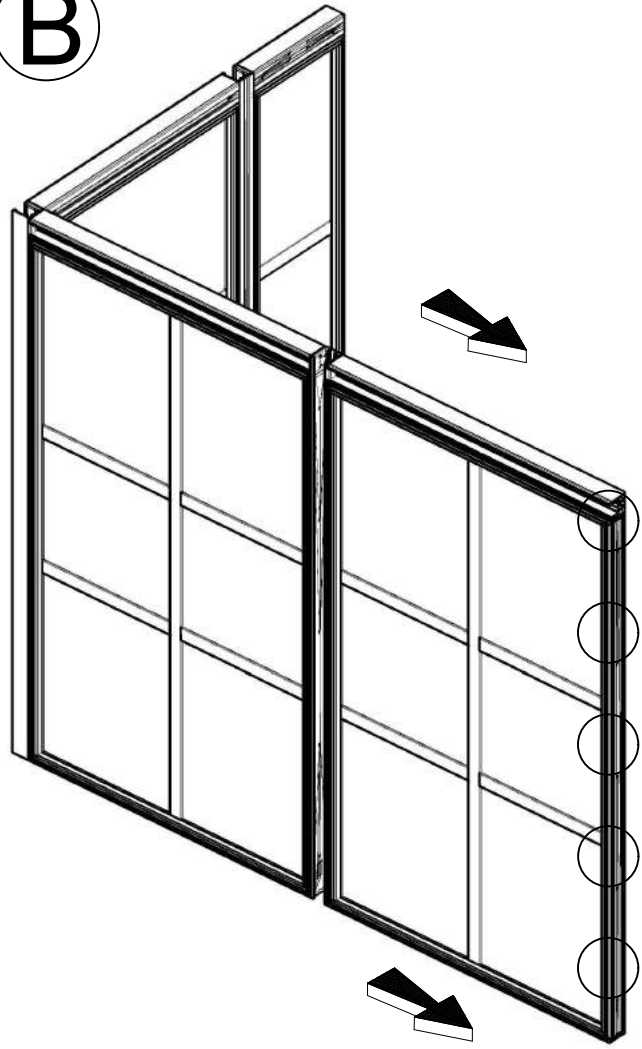


HK06

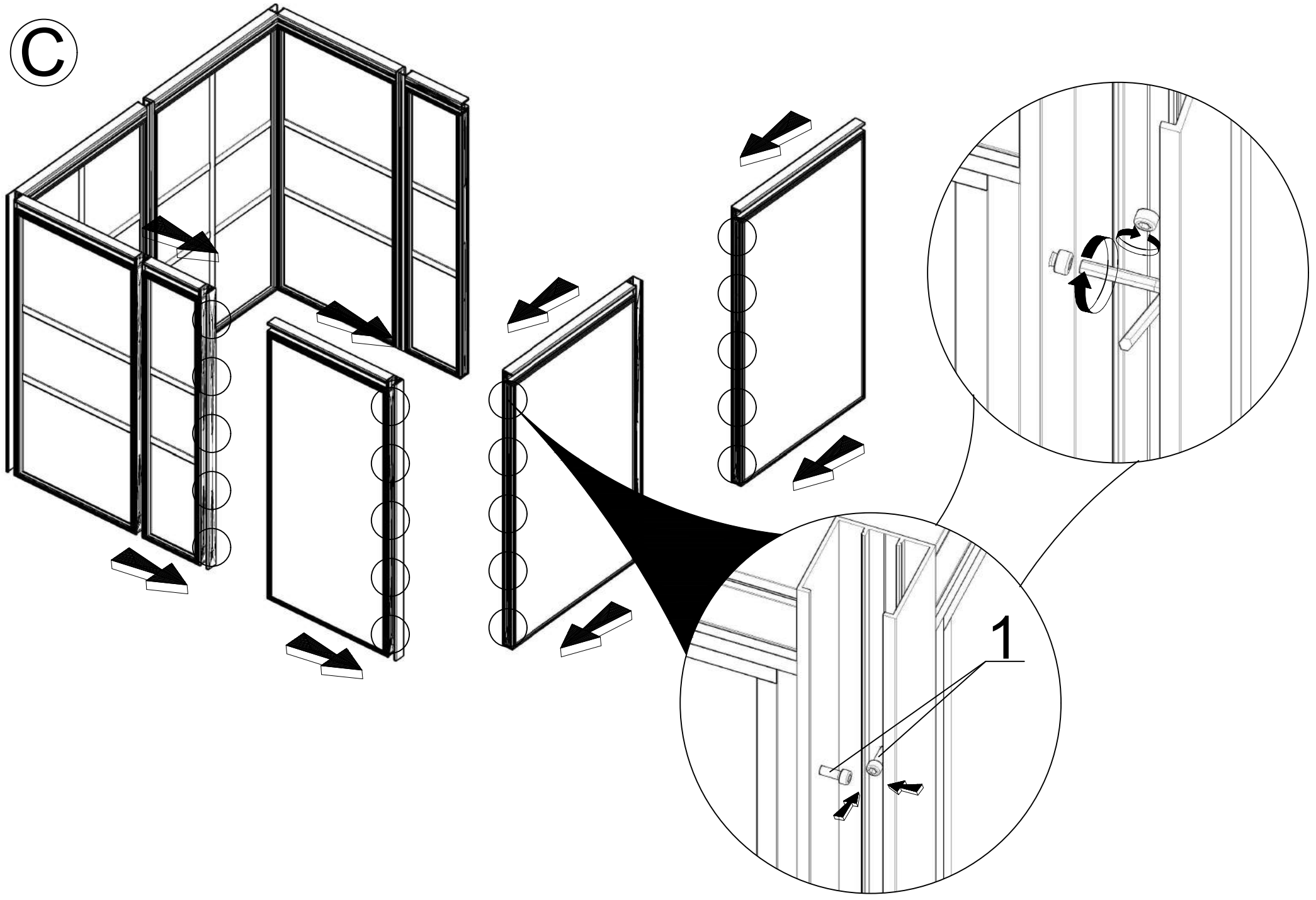
A 3



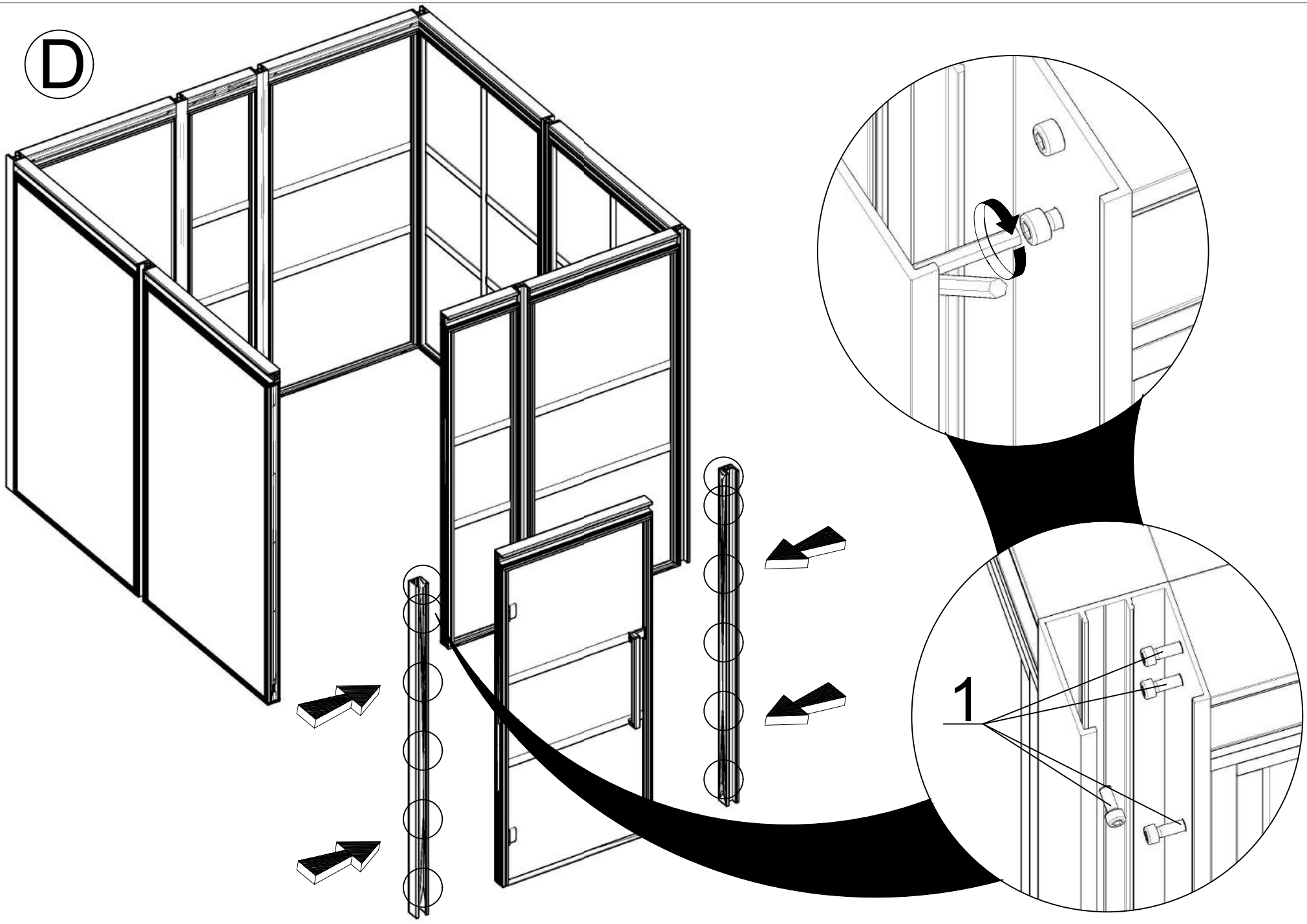
B



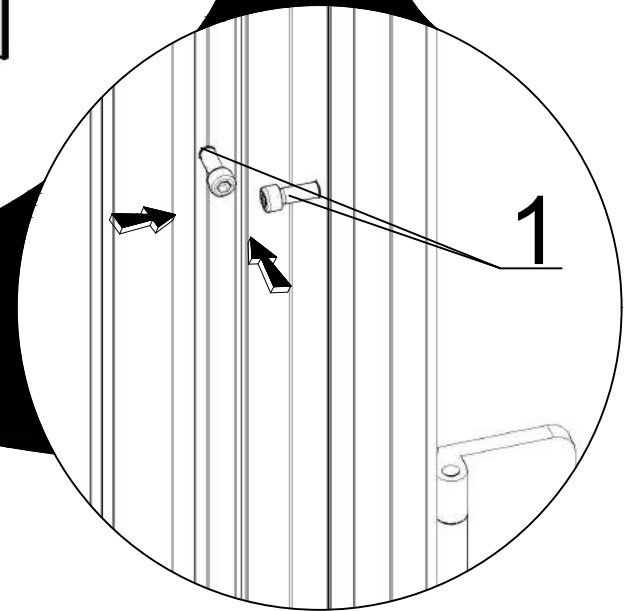
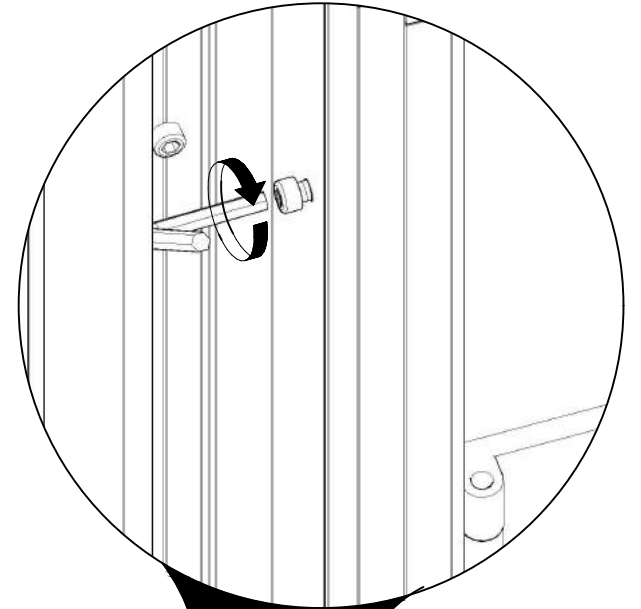
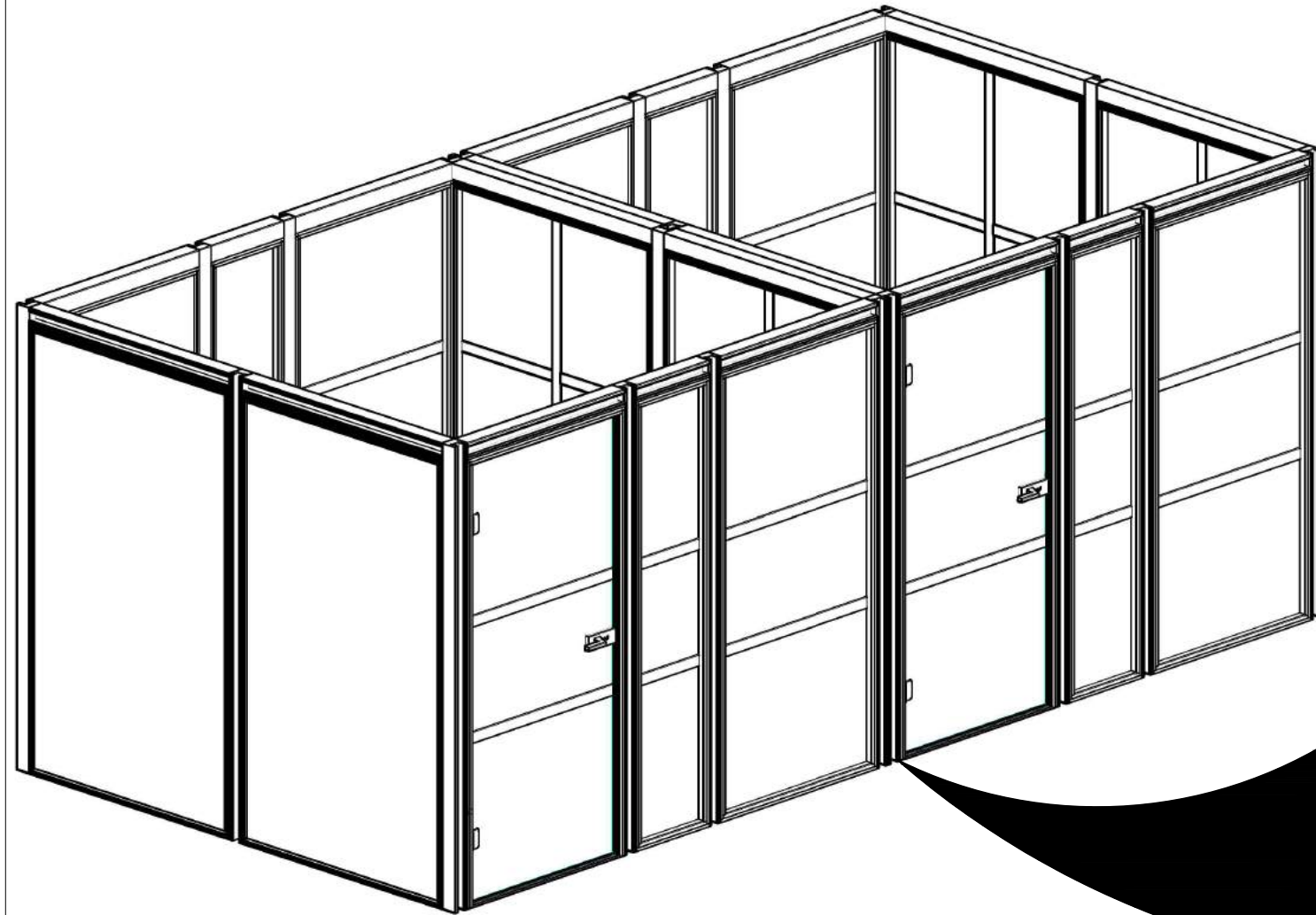
C



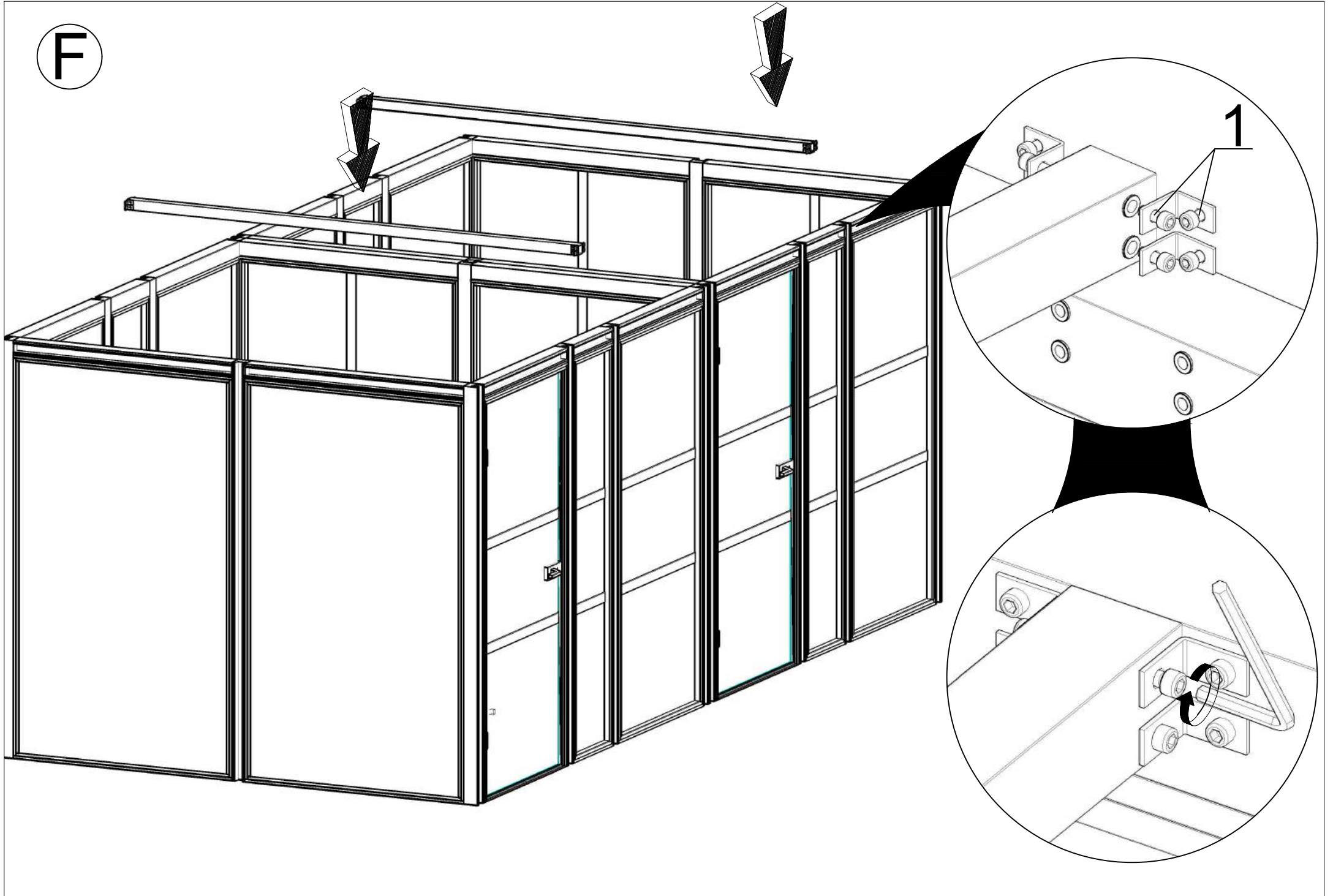
D



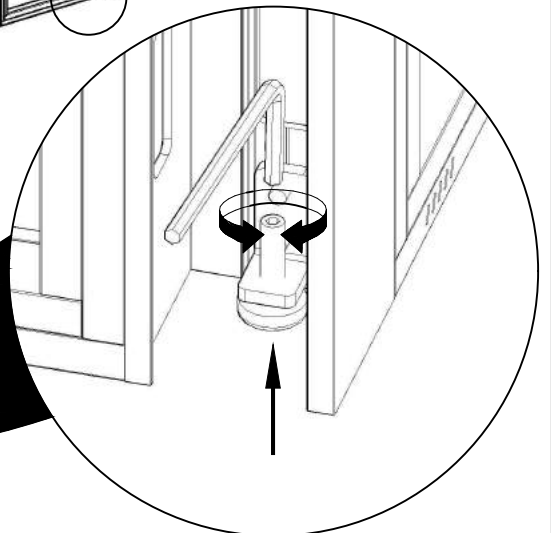
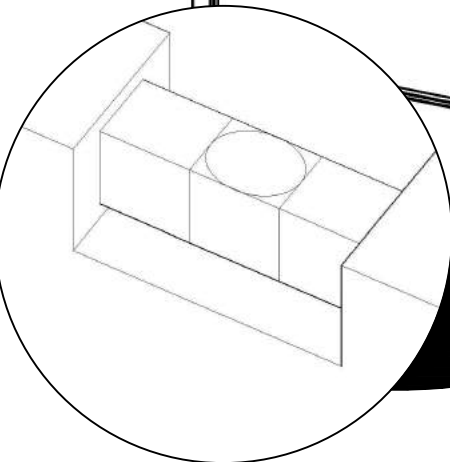
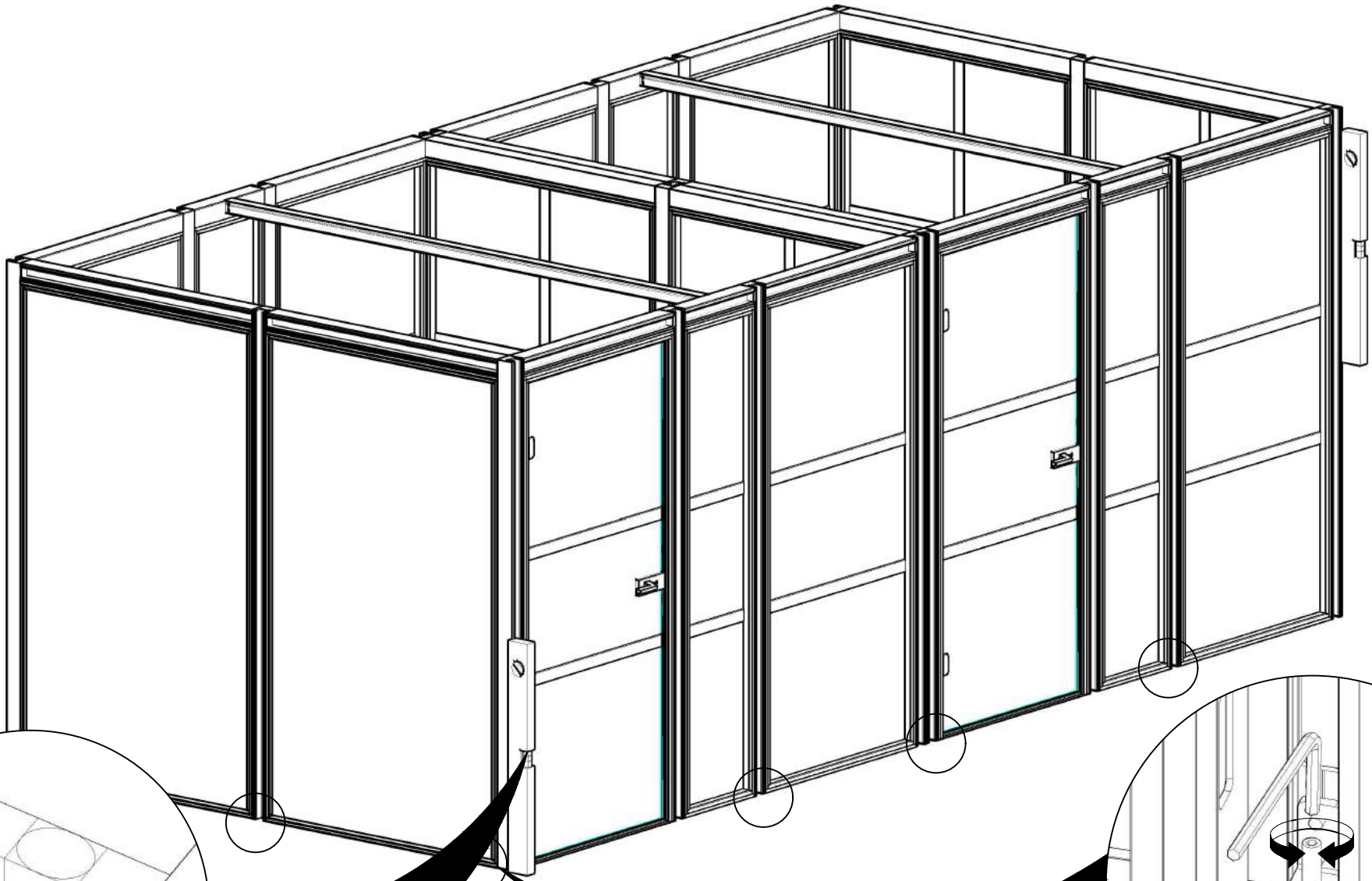
E



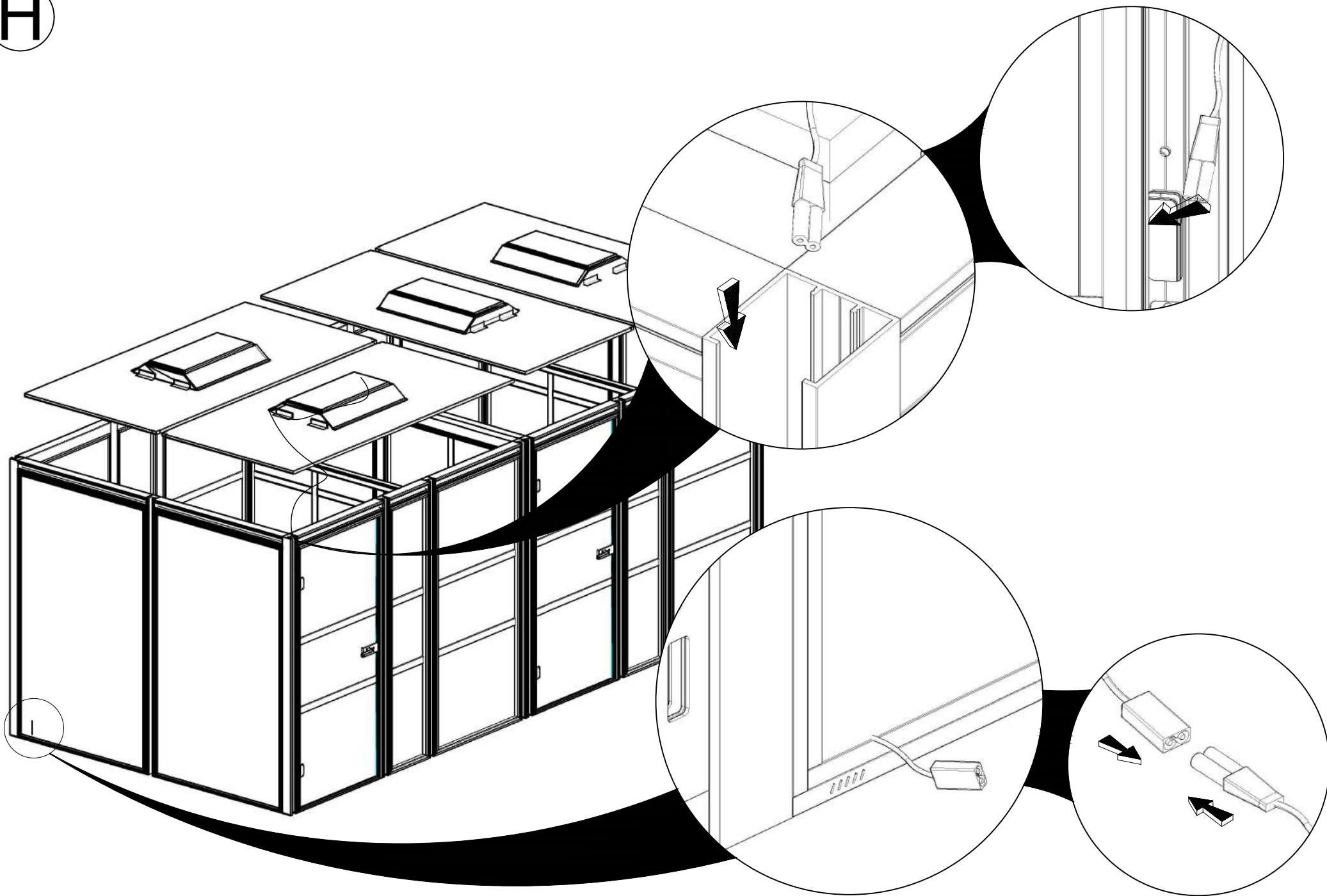
F



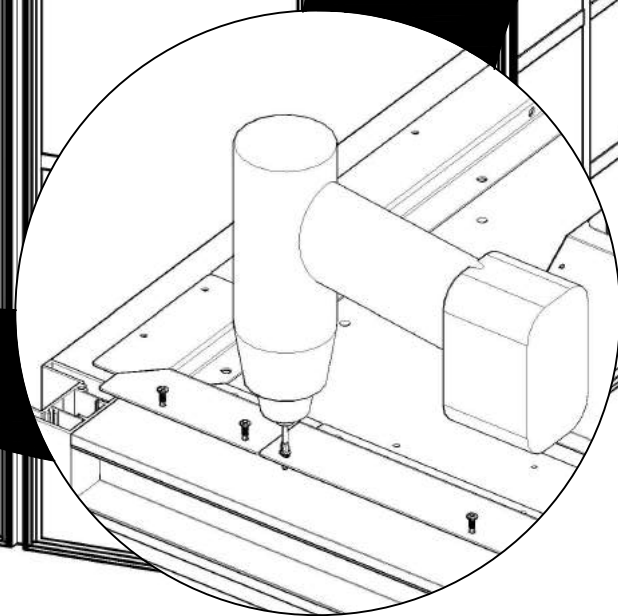
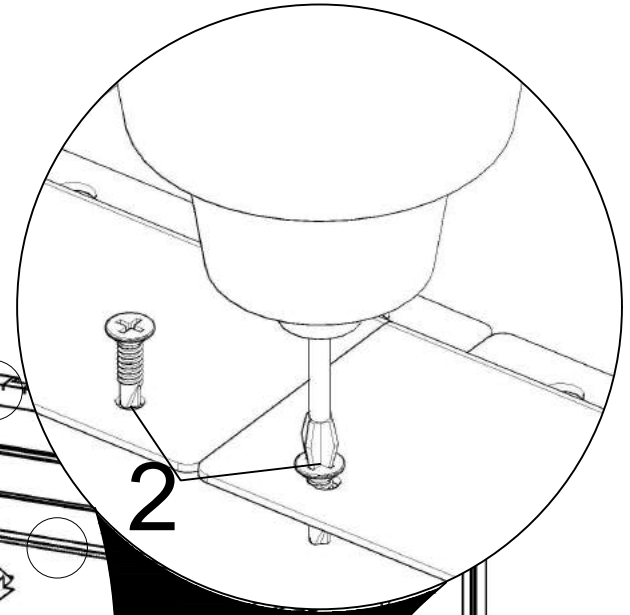
G



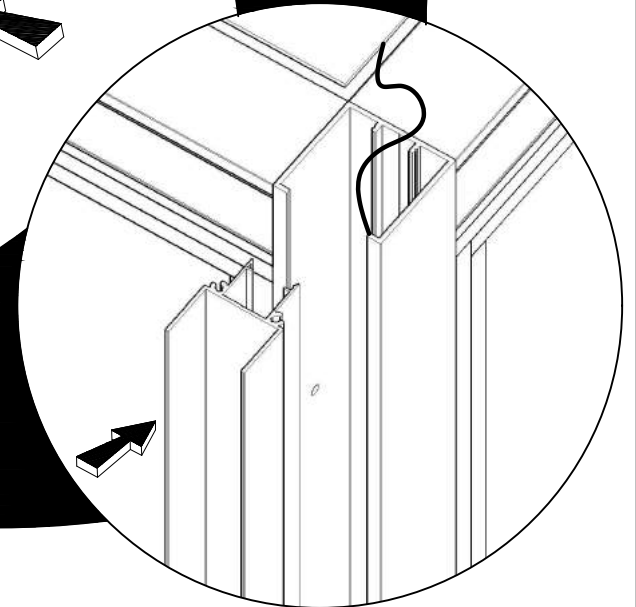
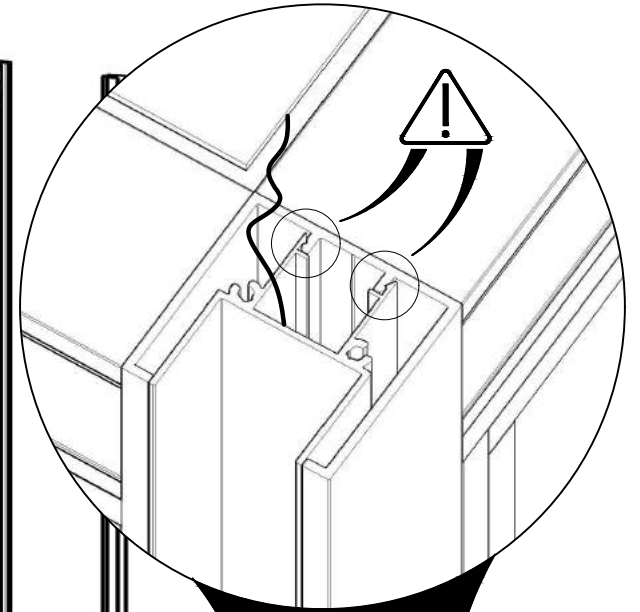
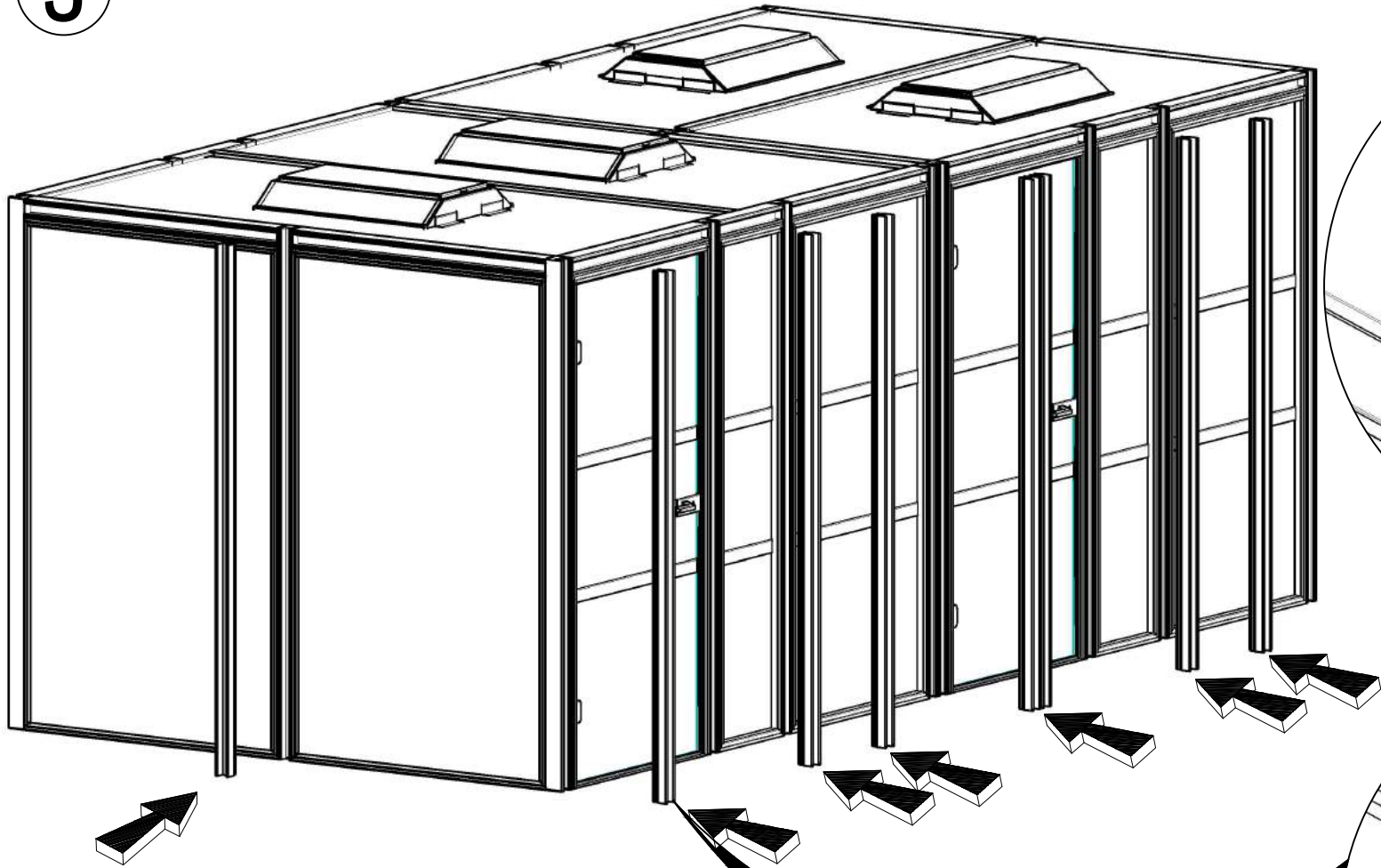
H

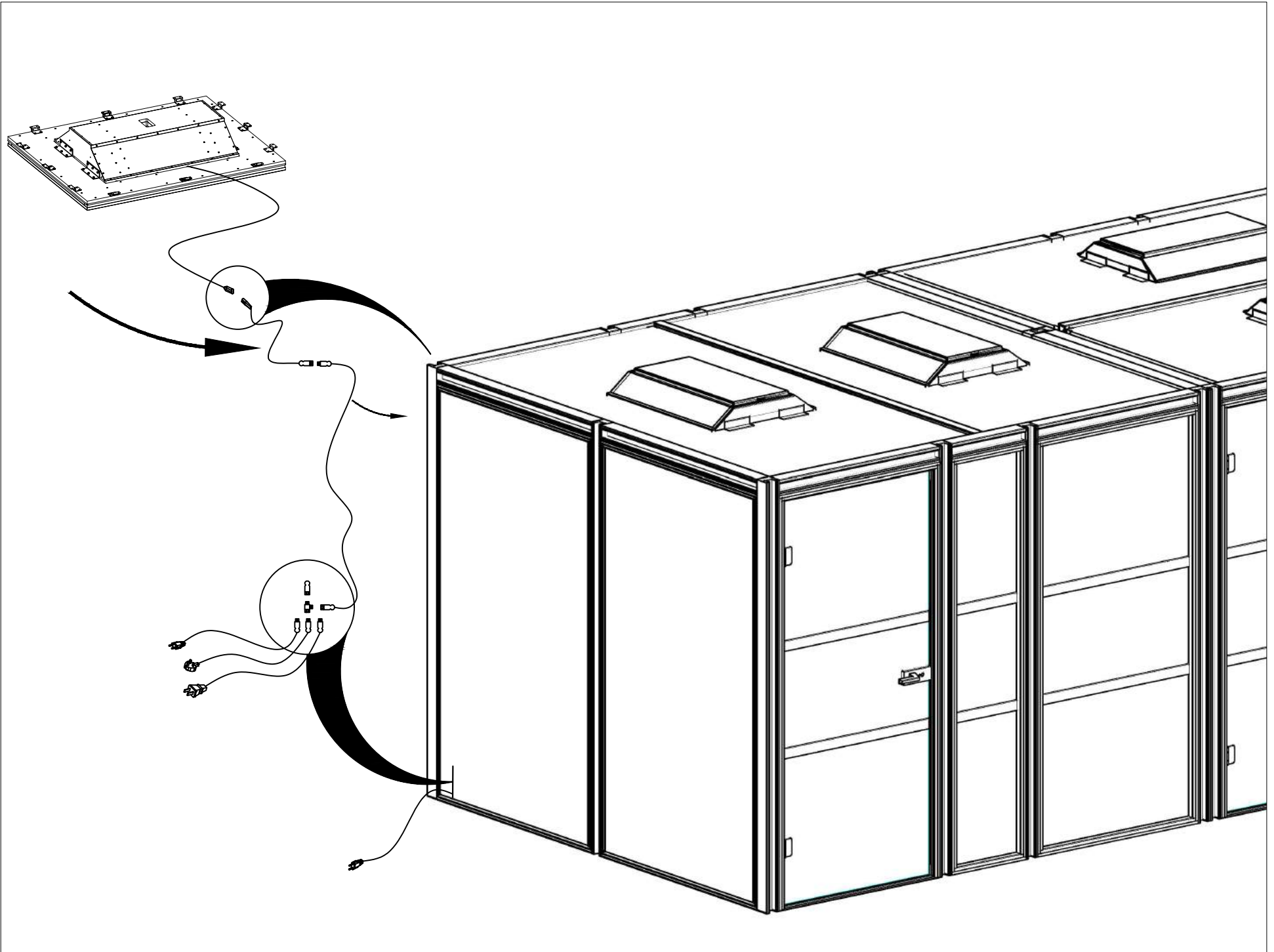


I



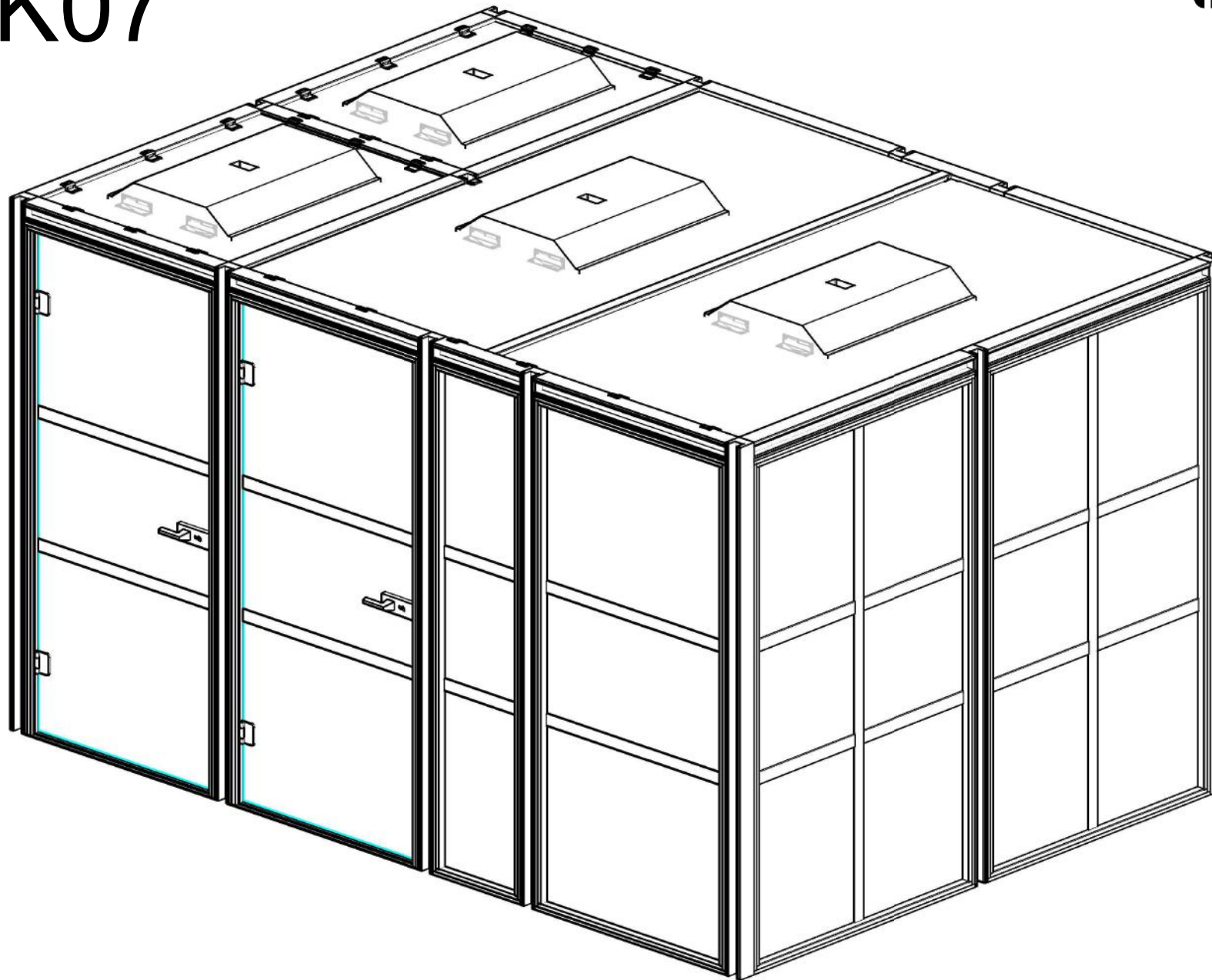
J

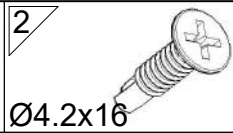
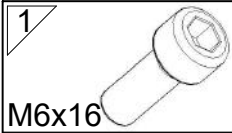




HK07

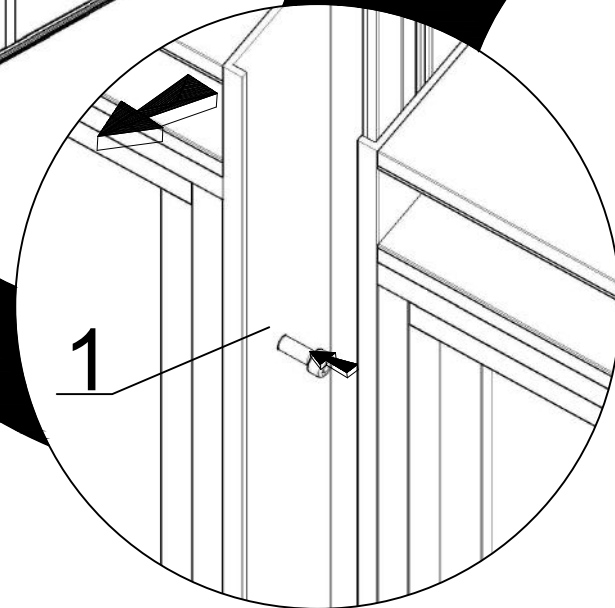
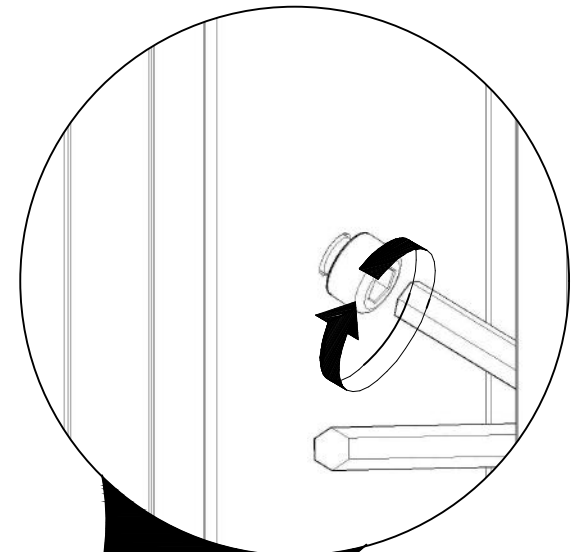
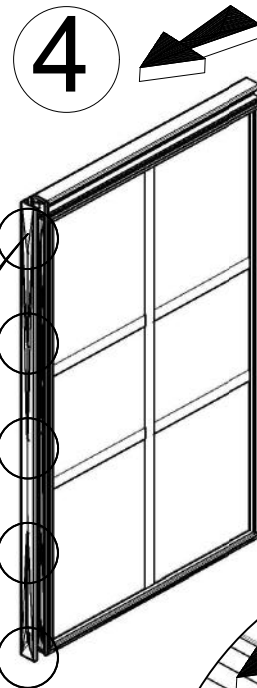
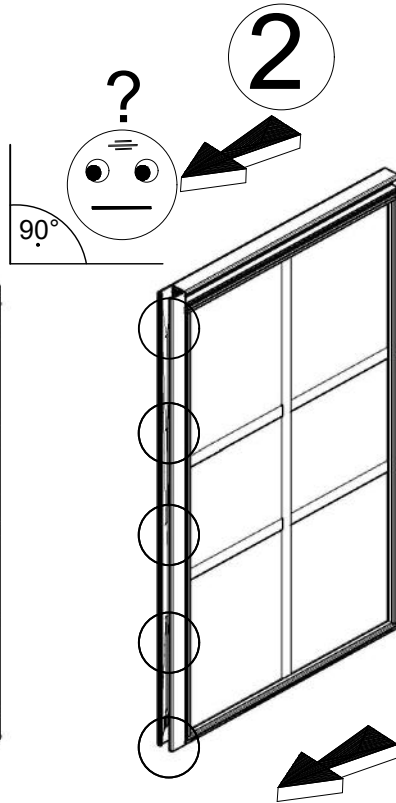
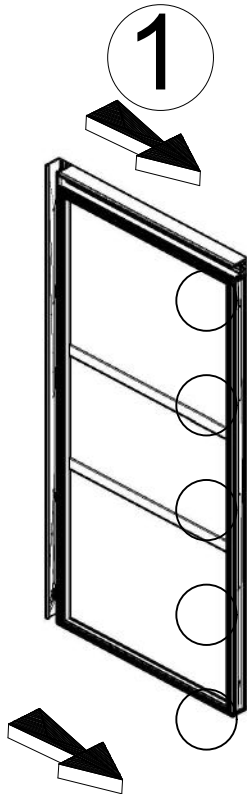
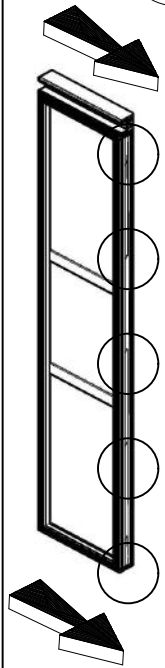
.mdd



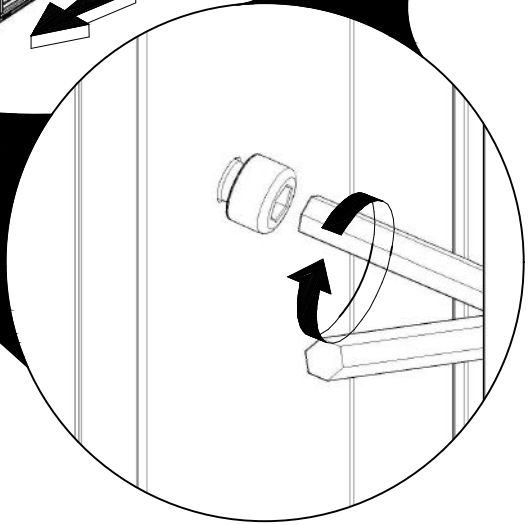
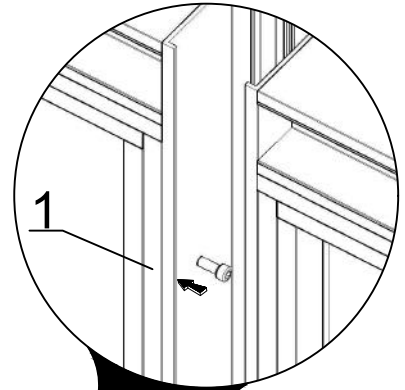
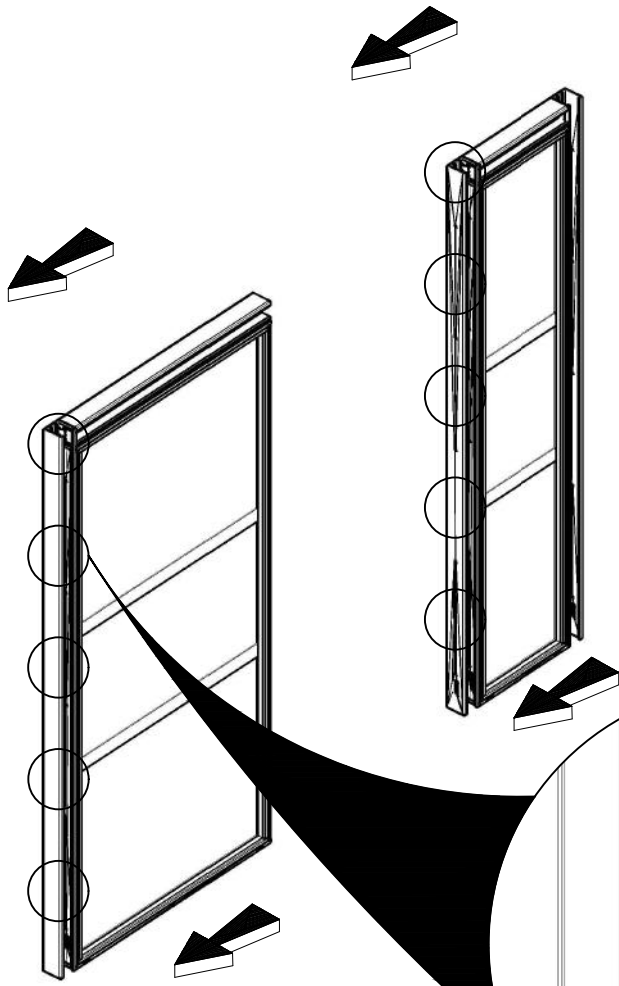
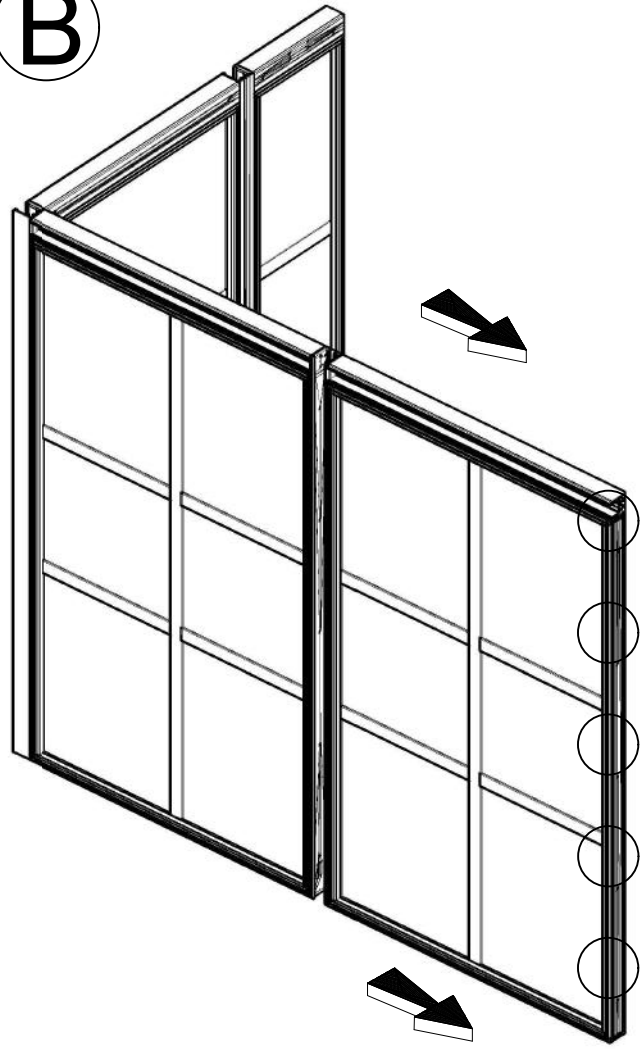


HK07

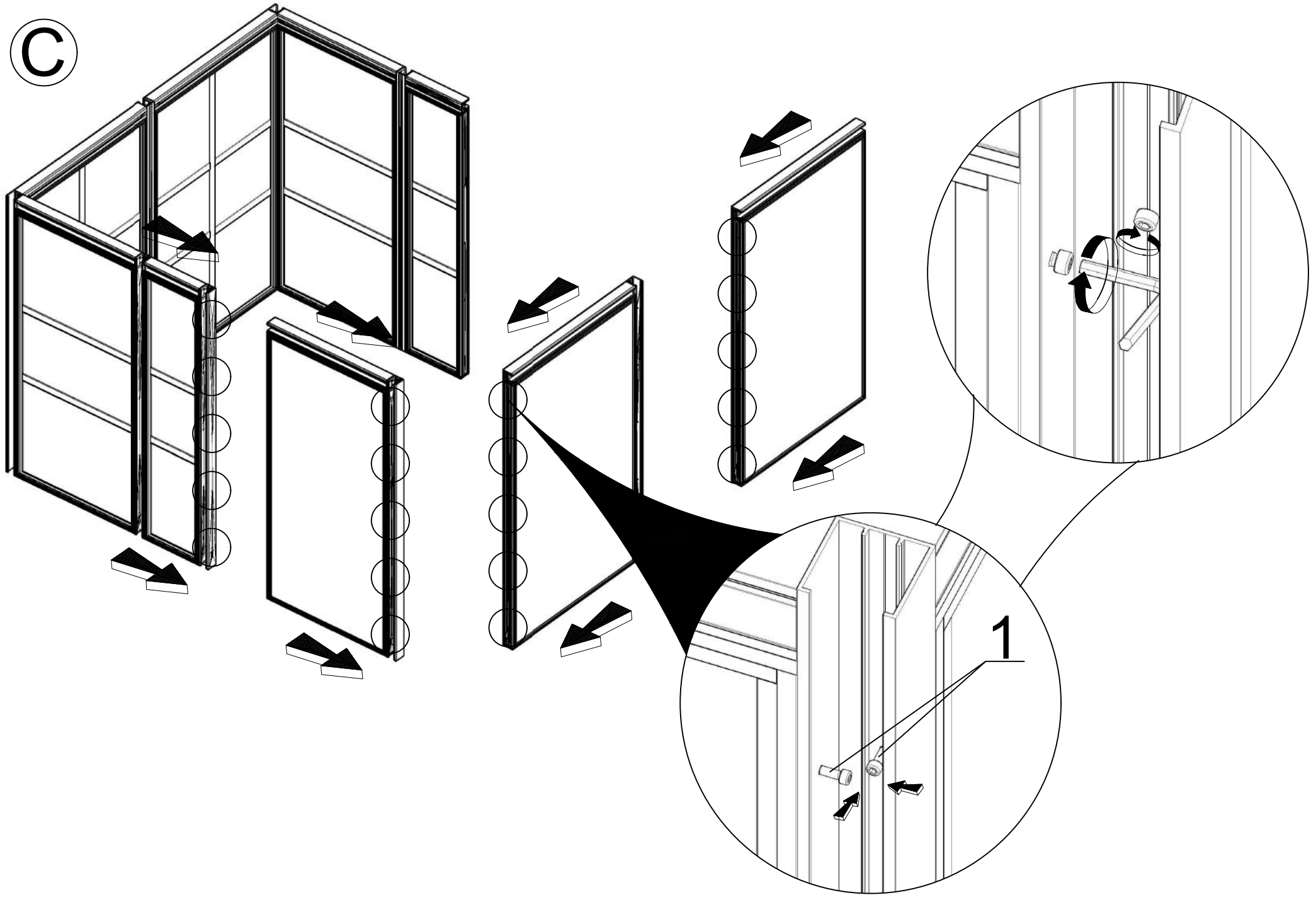
A 3



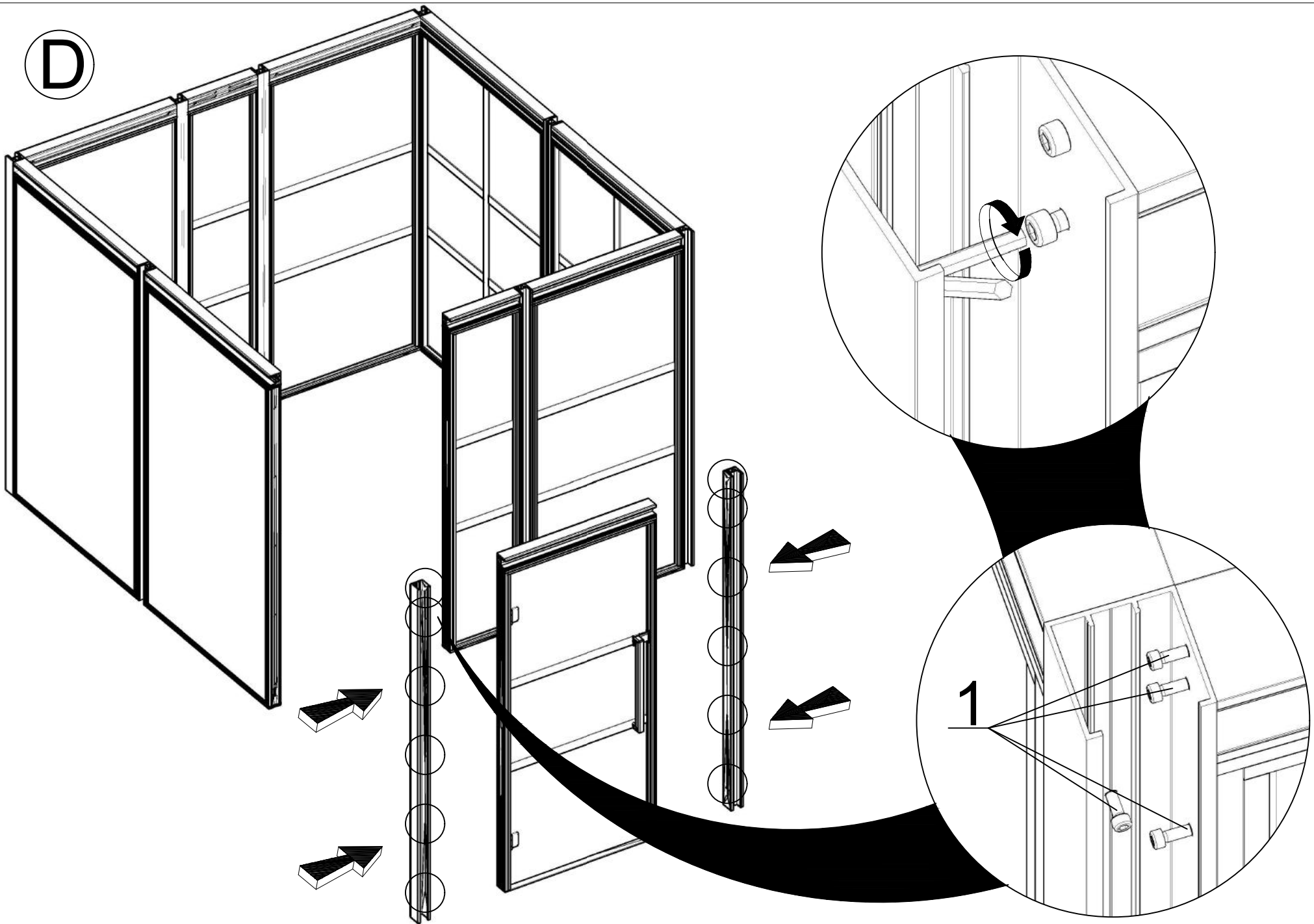
B



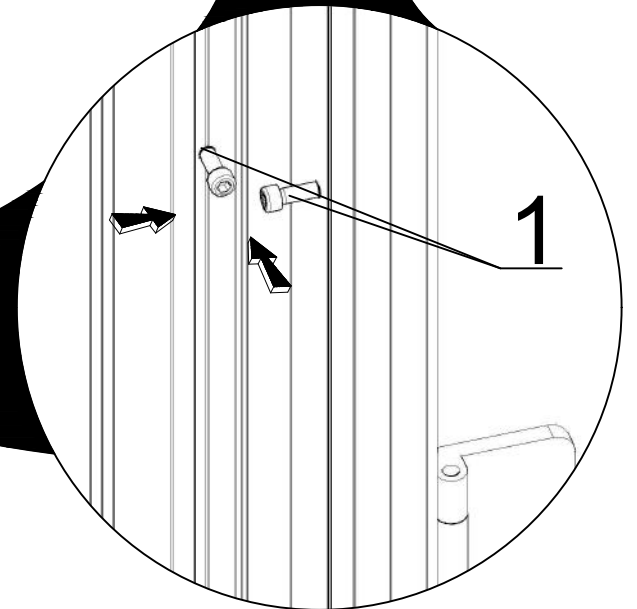
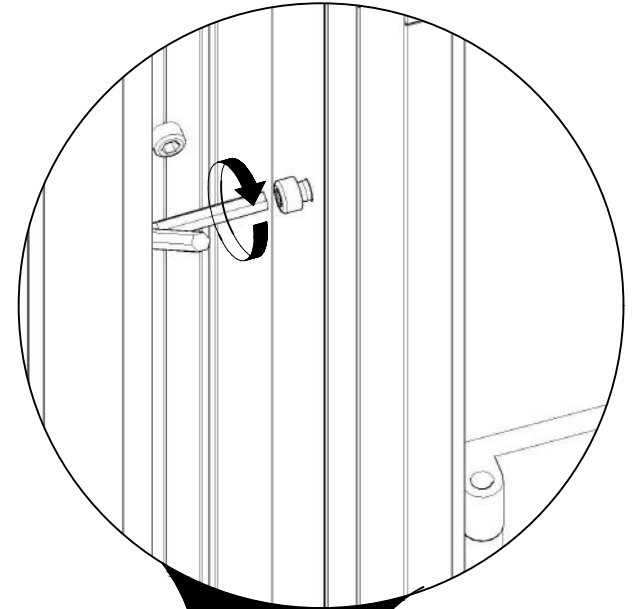
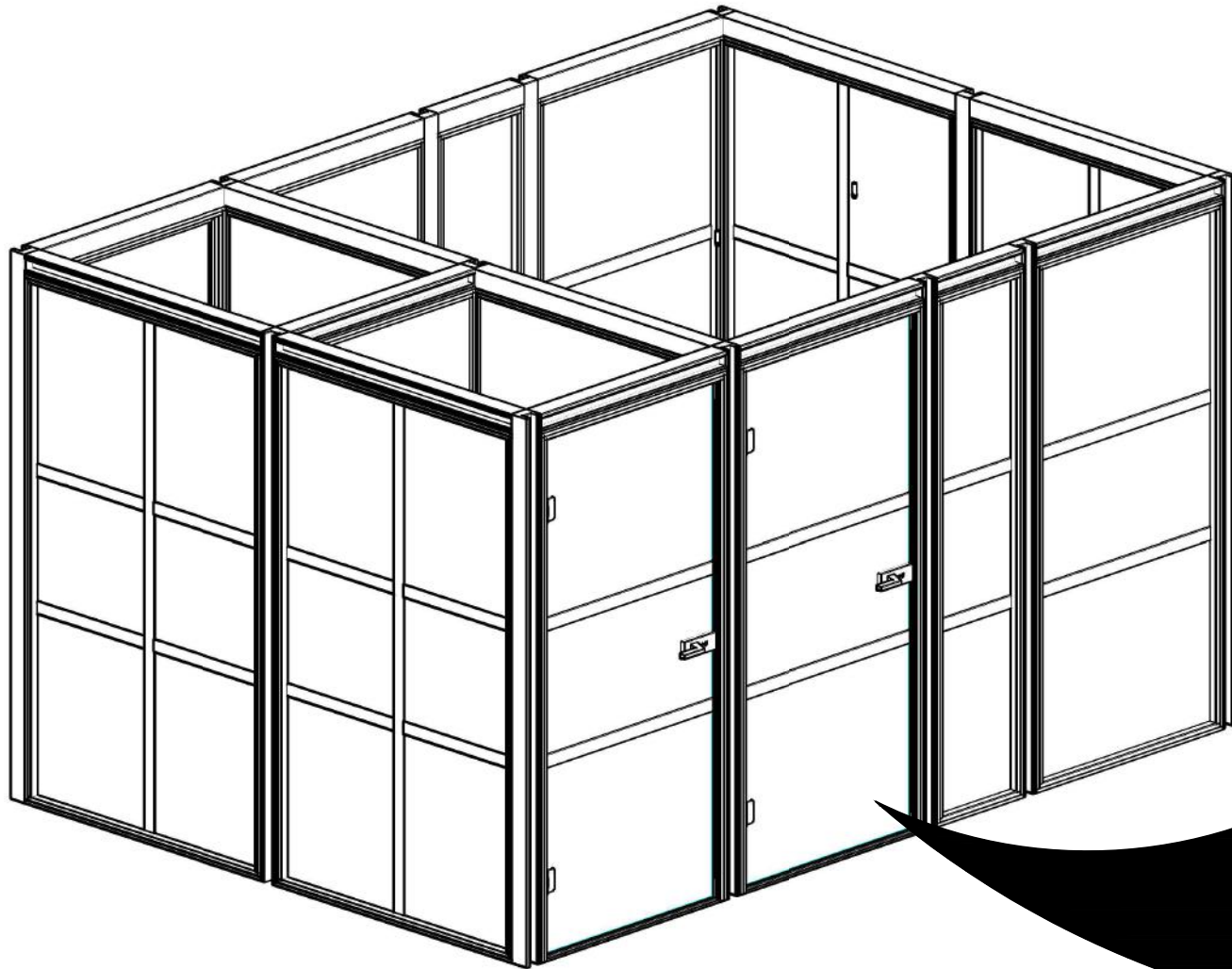
C



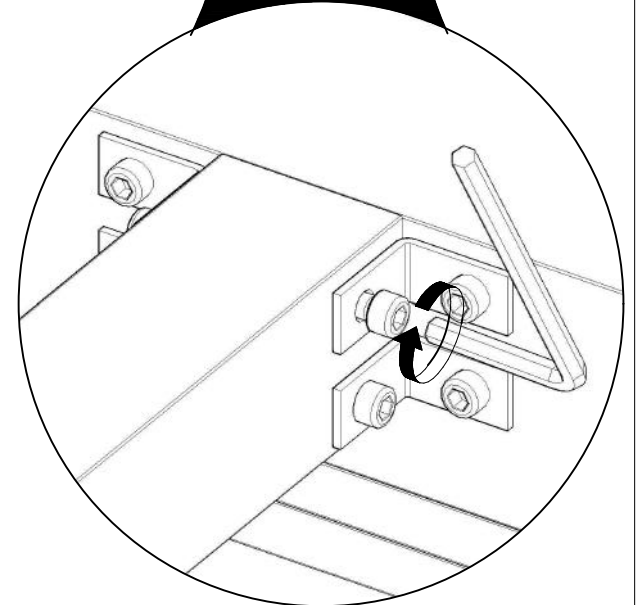
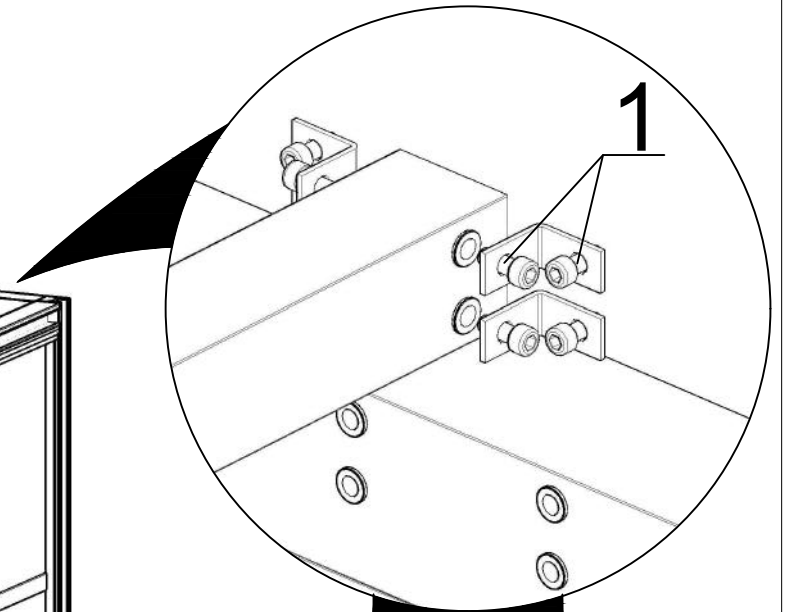
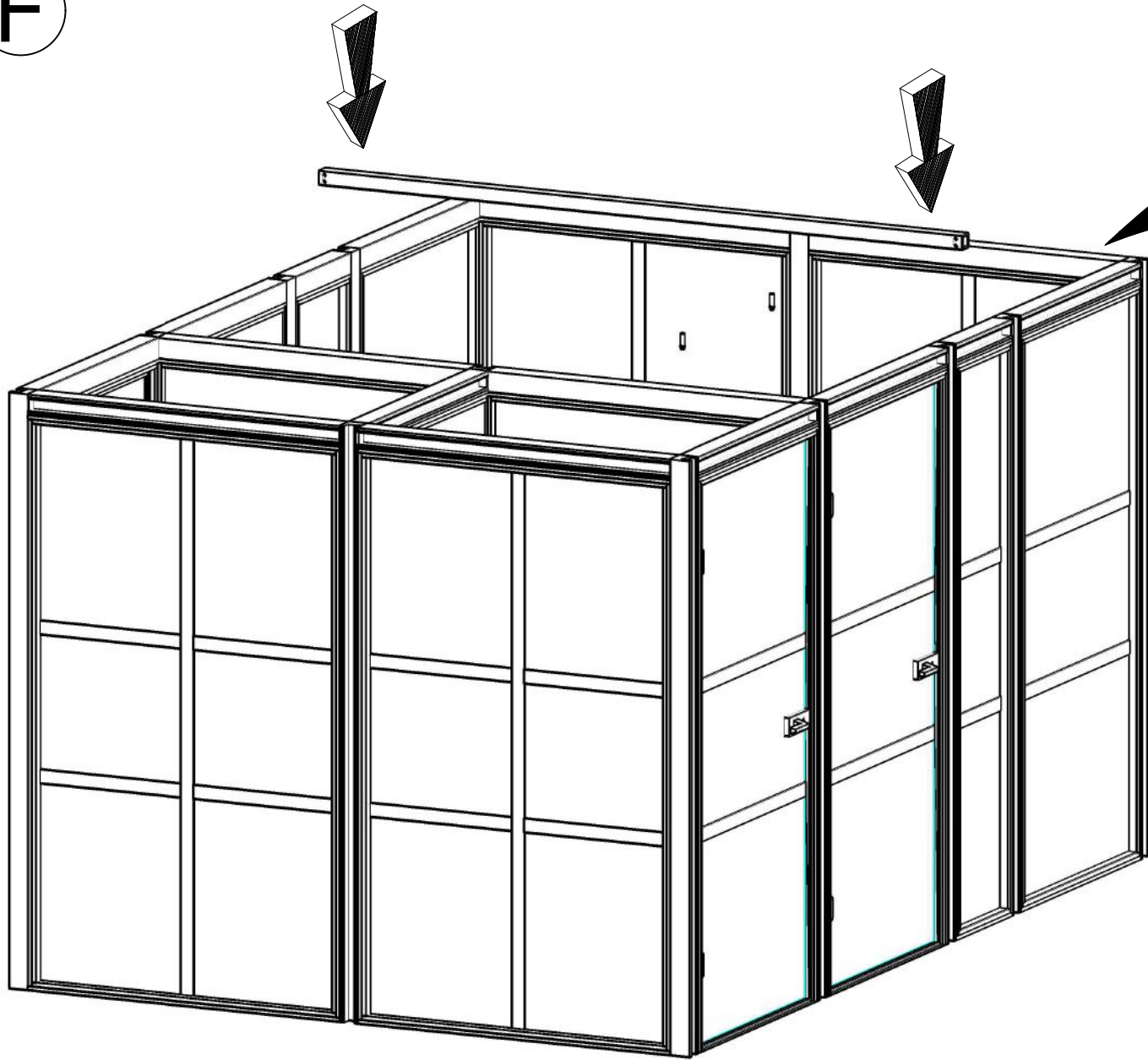
D



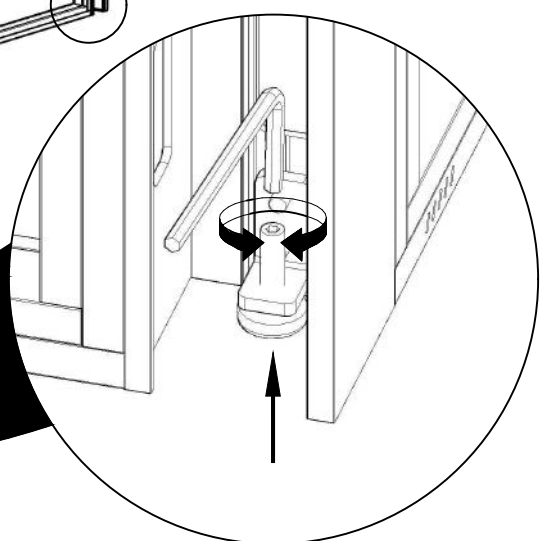
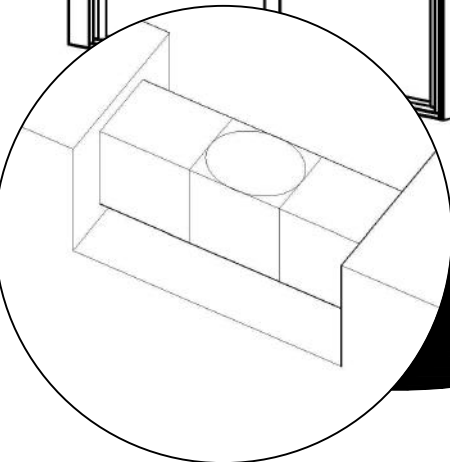
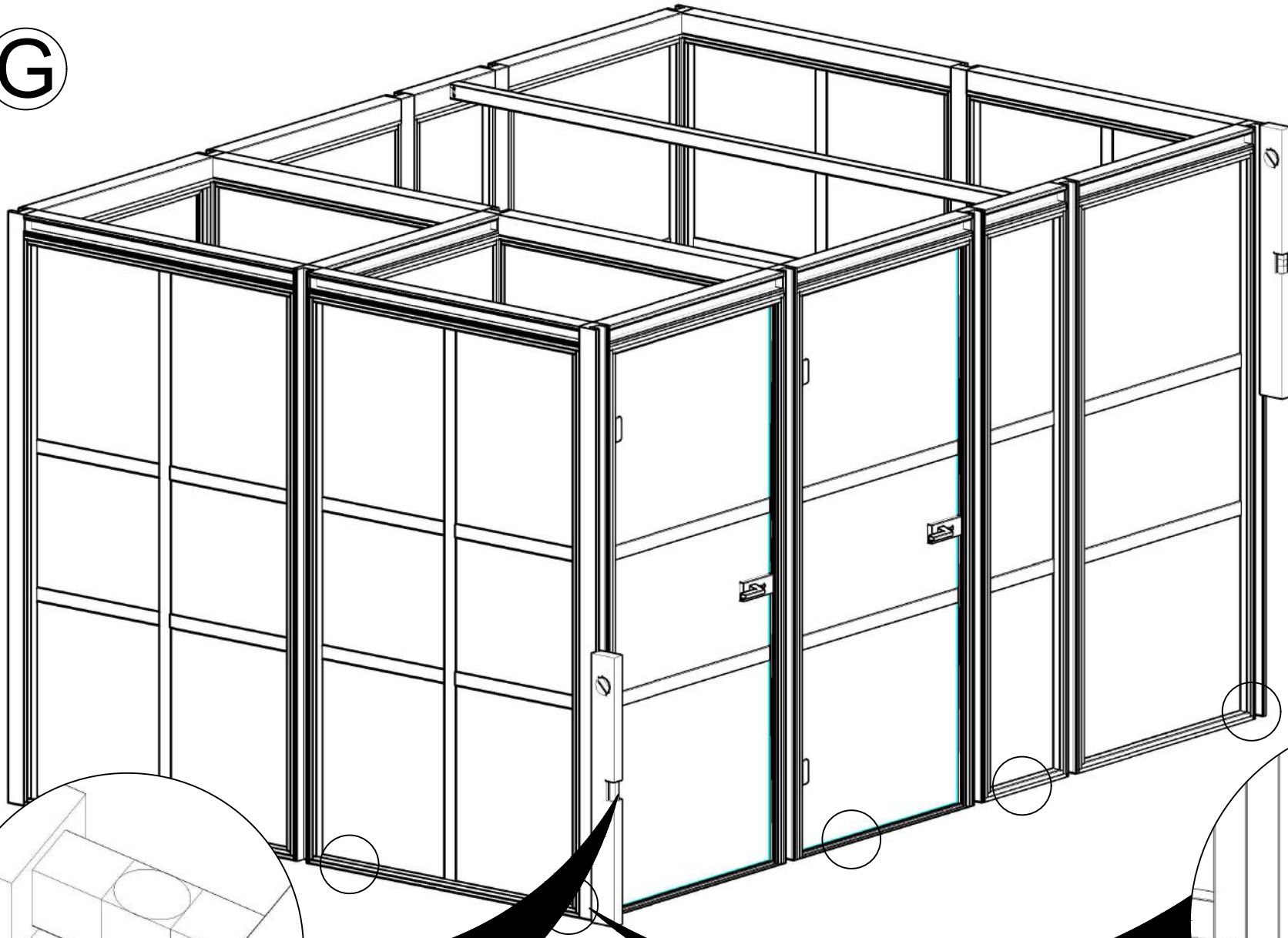
E



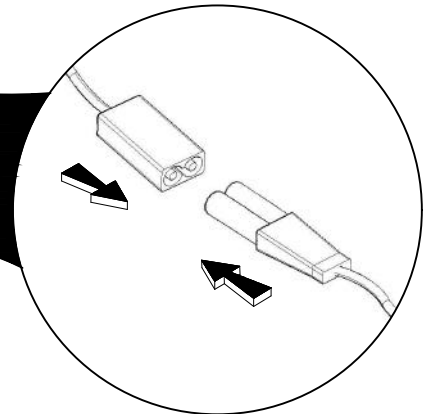
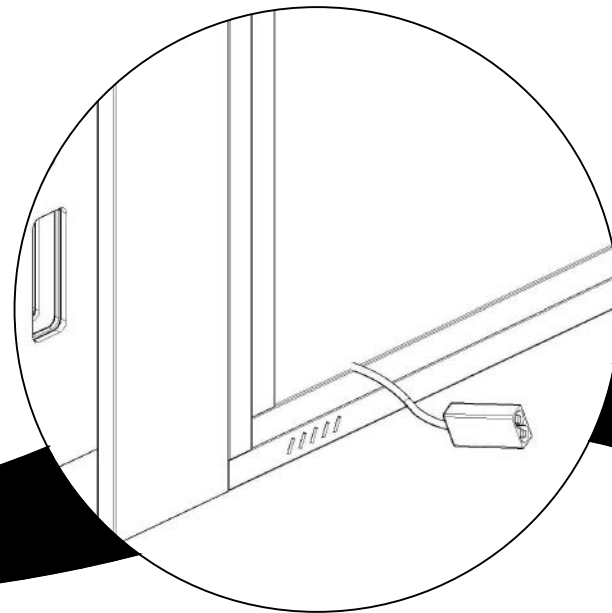
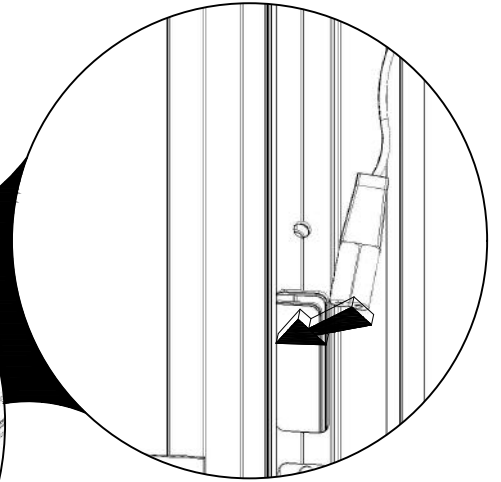
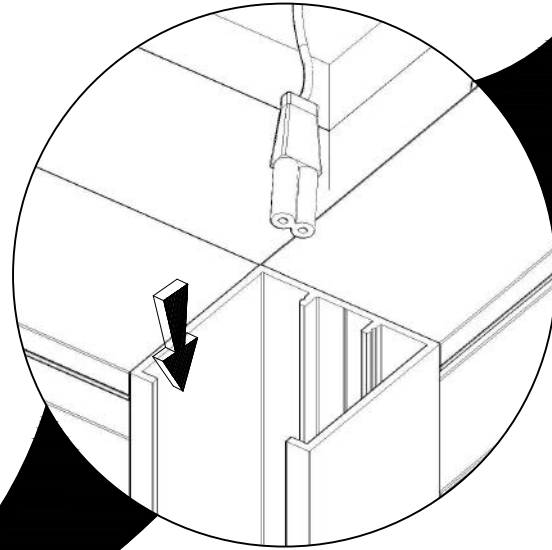
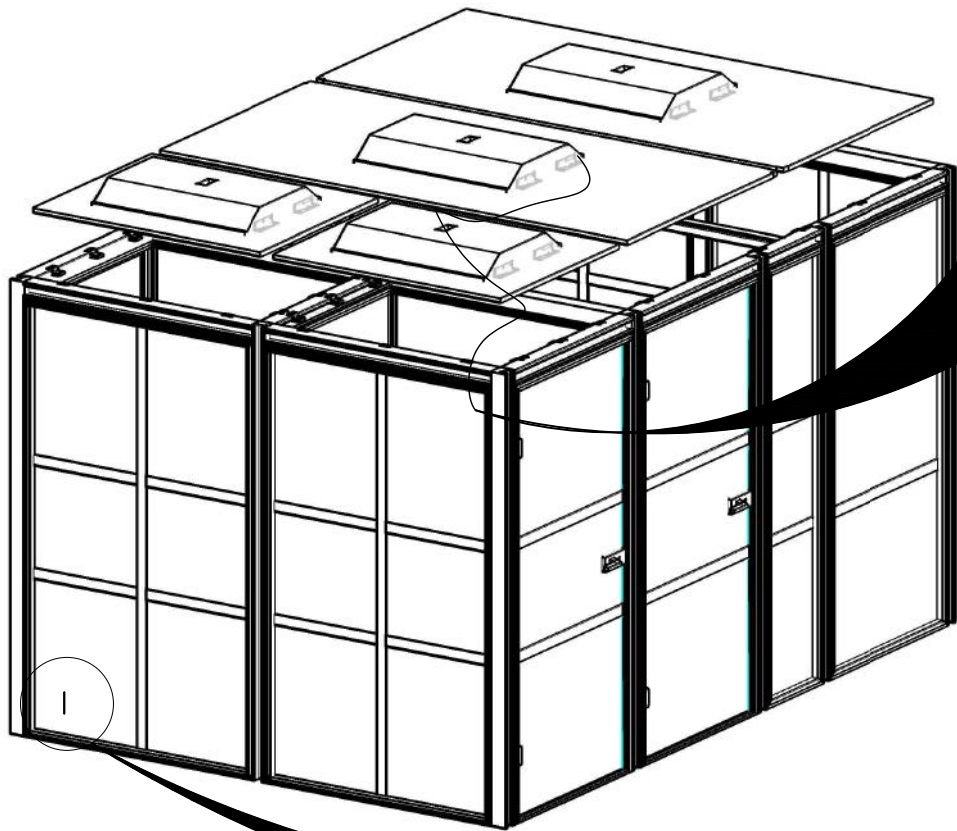
F



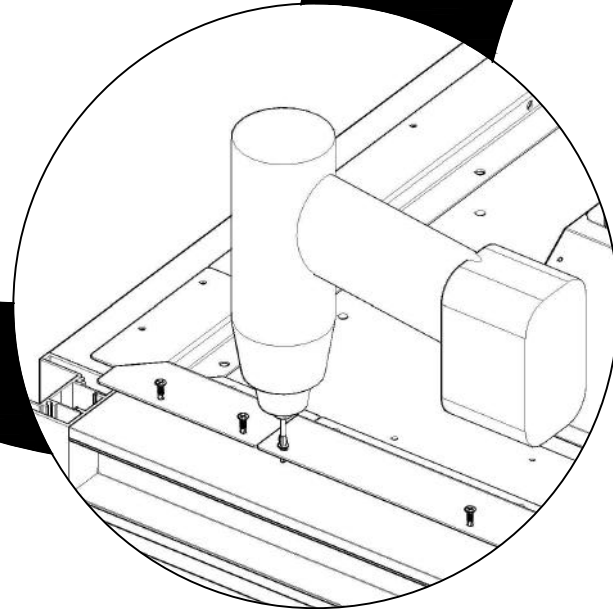
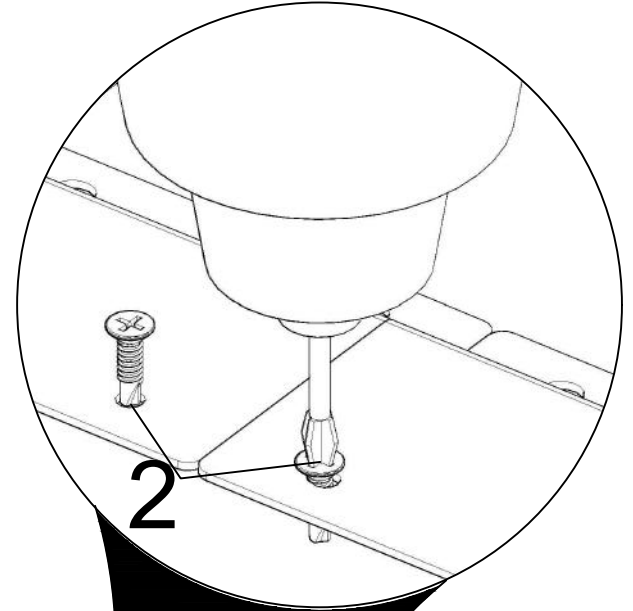
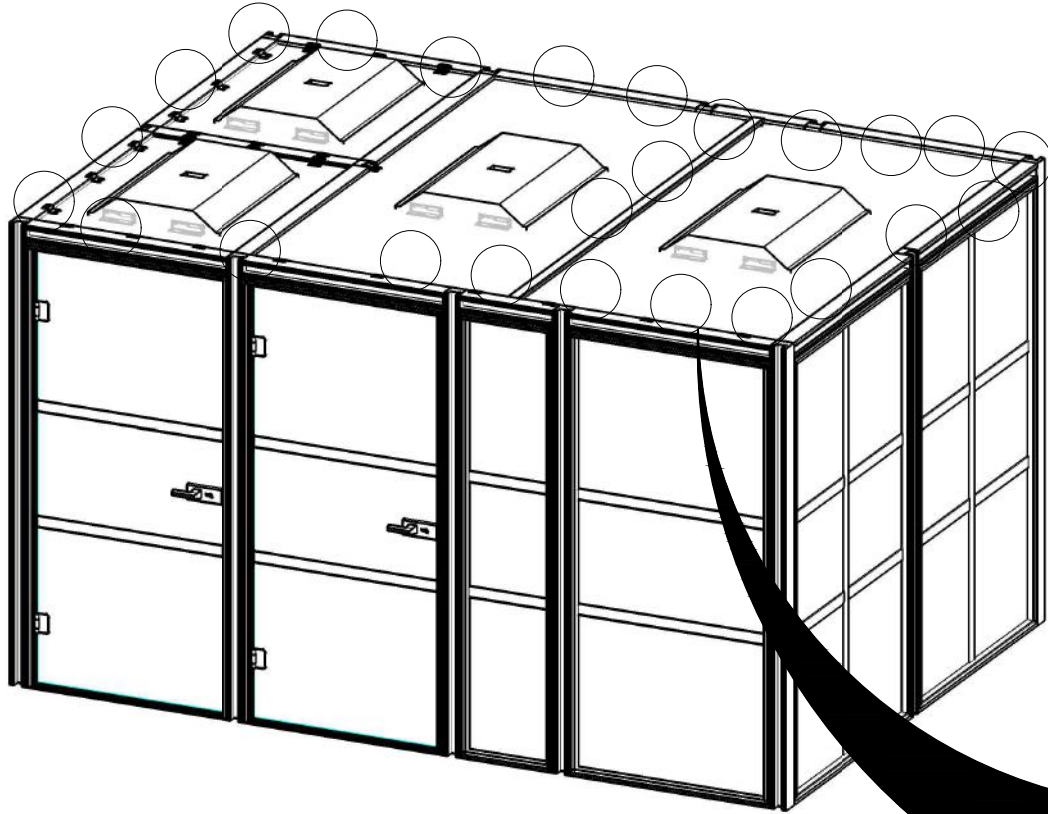
G



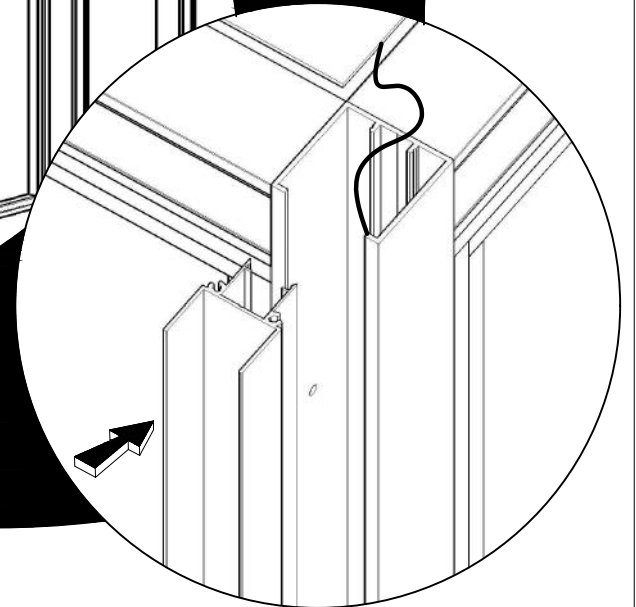
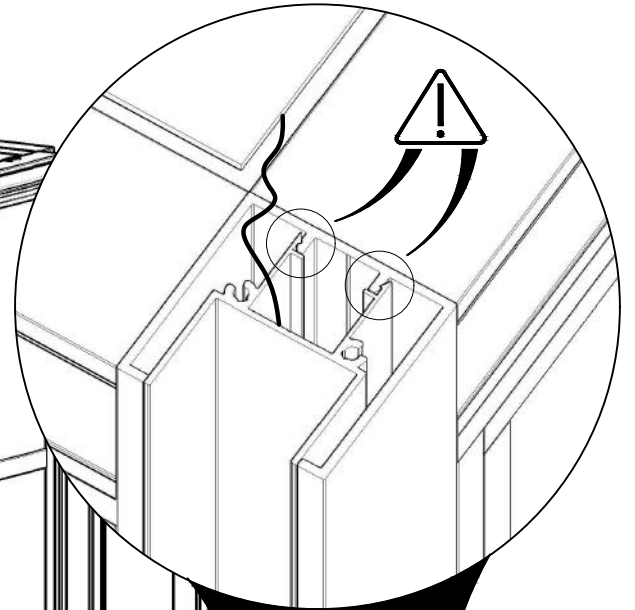
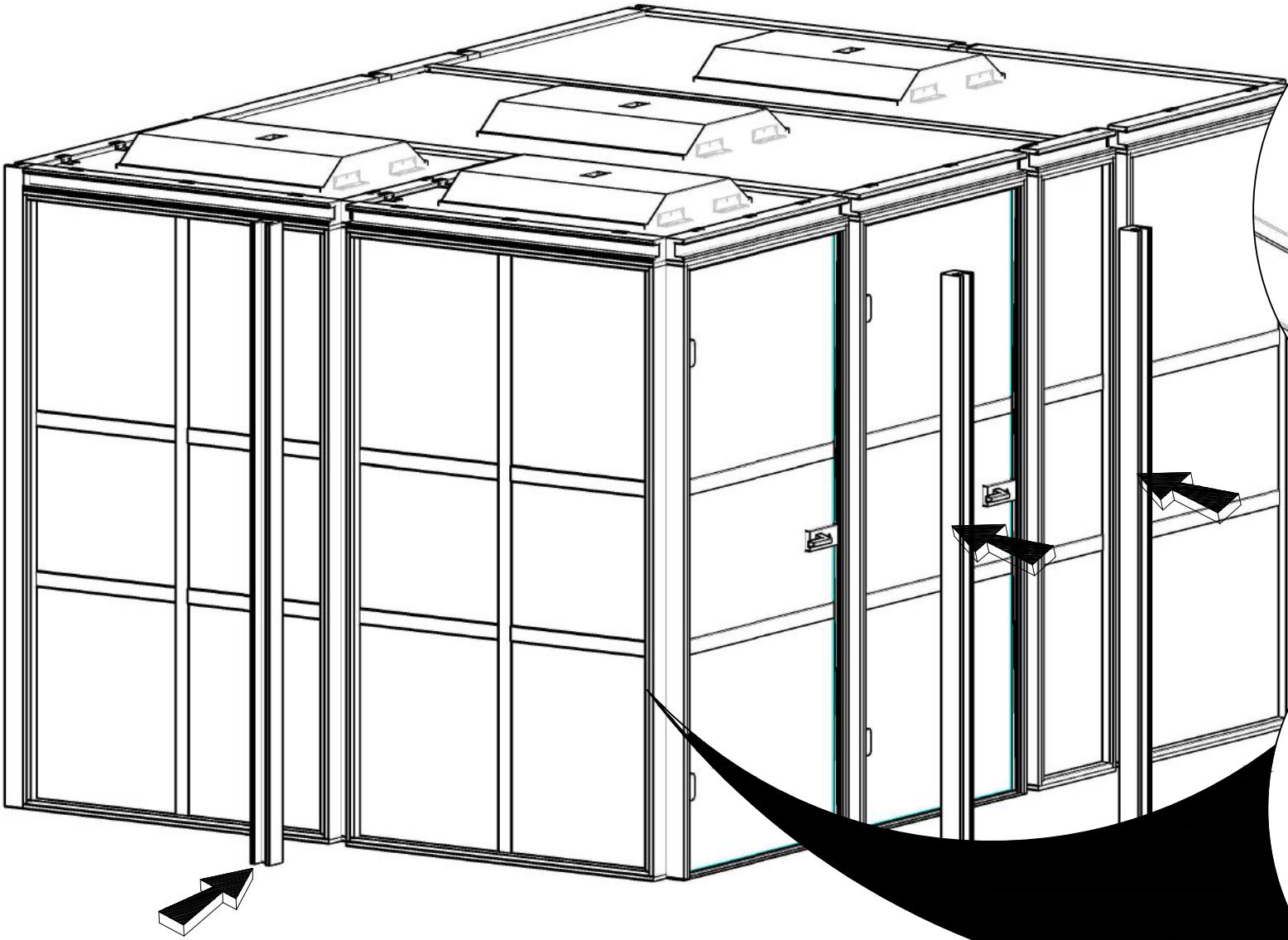
H

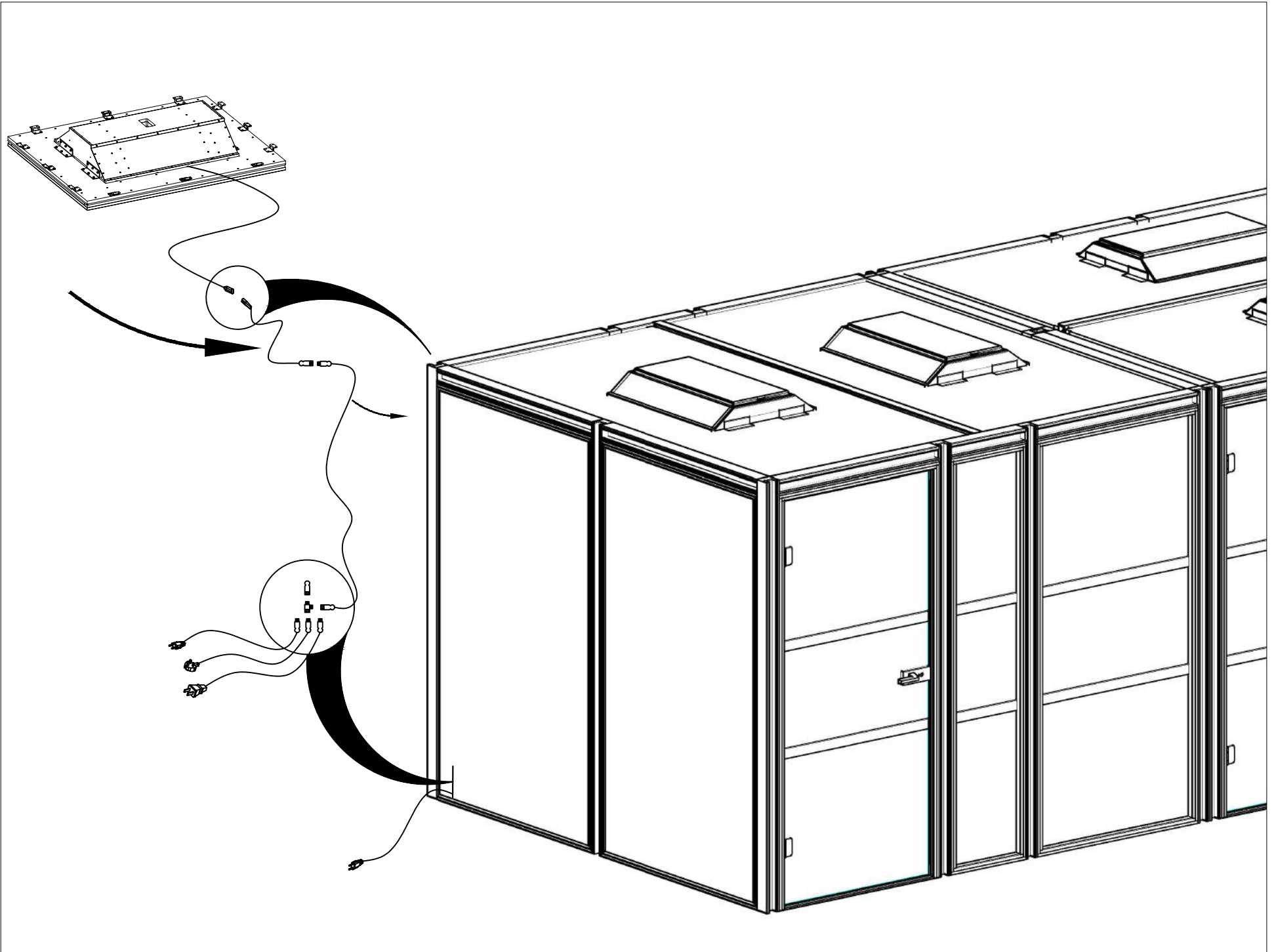


I



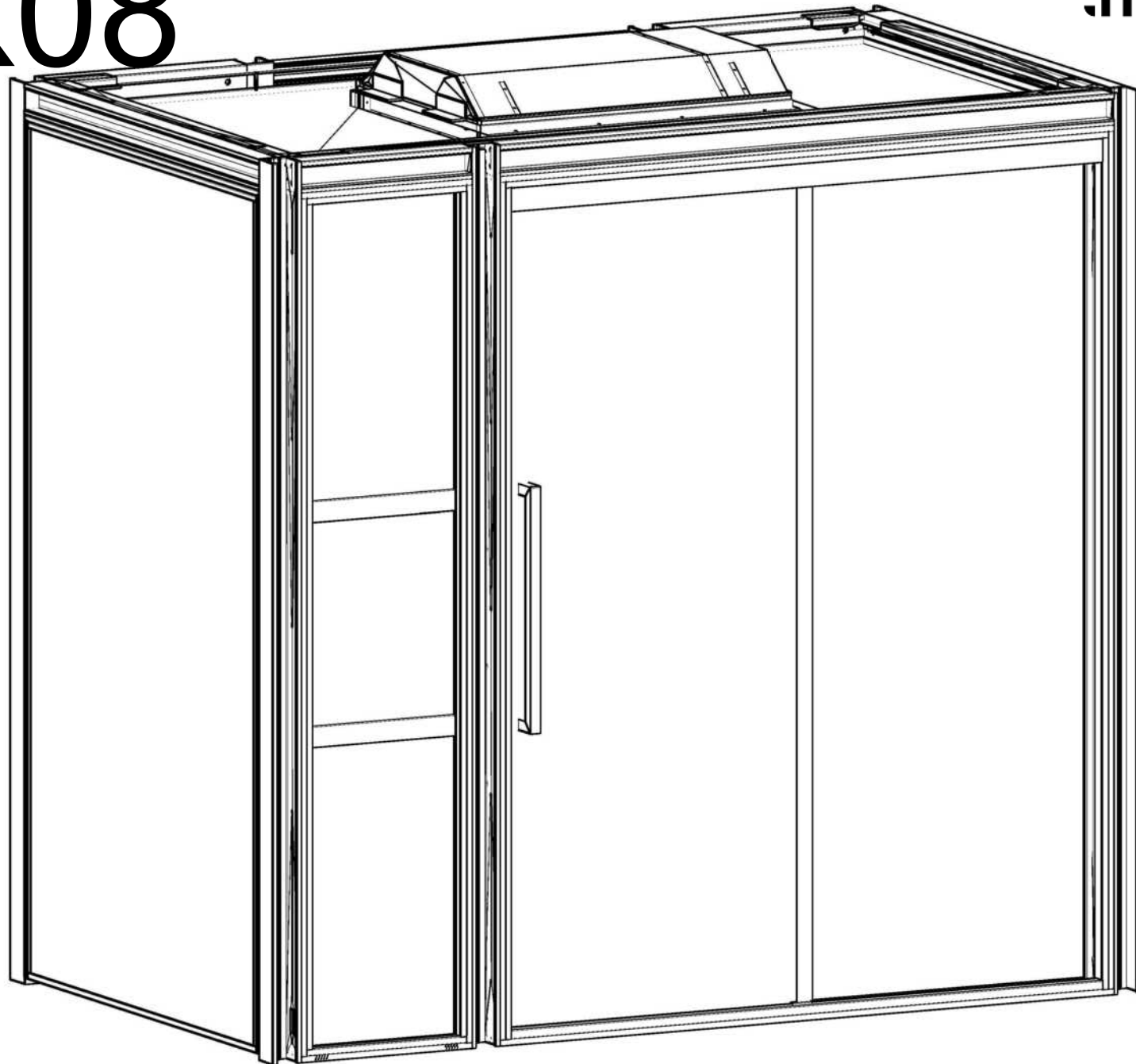
J

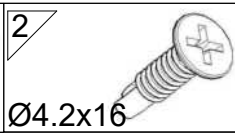
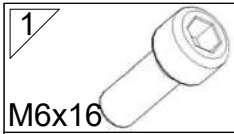




HK08

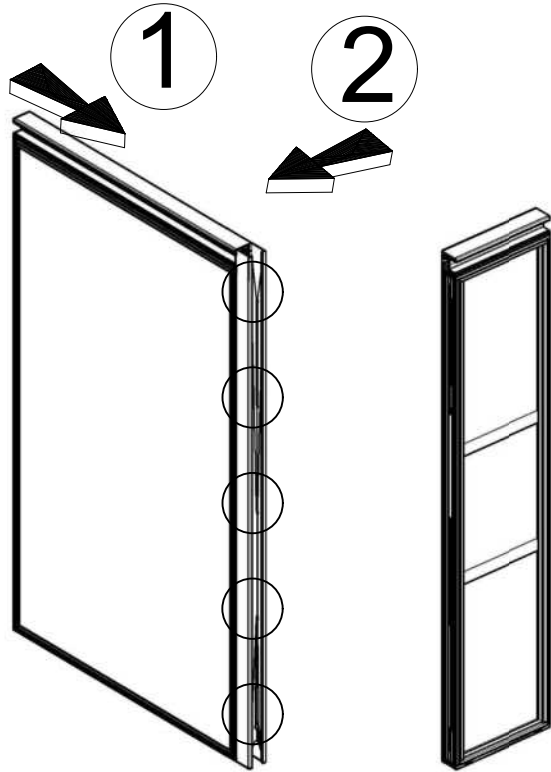
.mdd



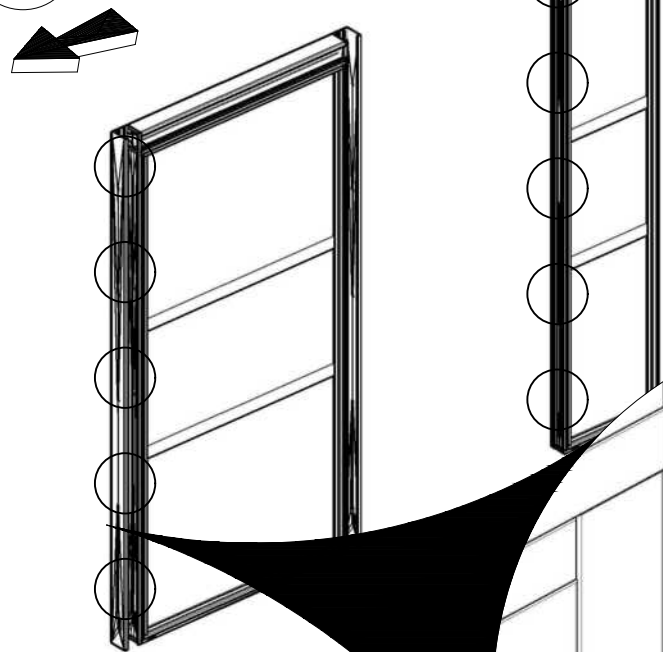


HK08

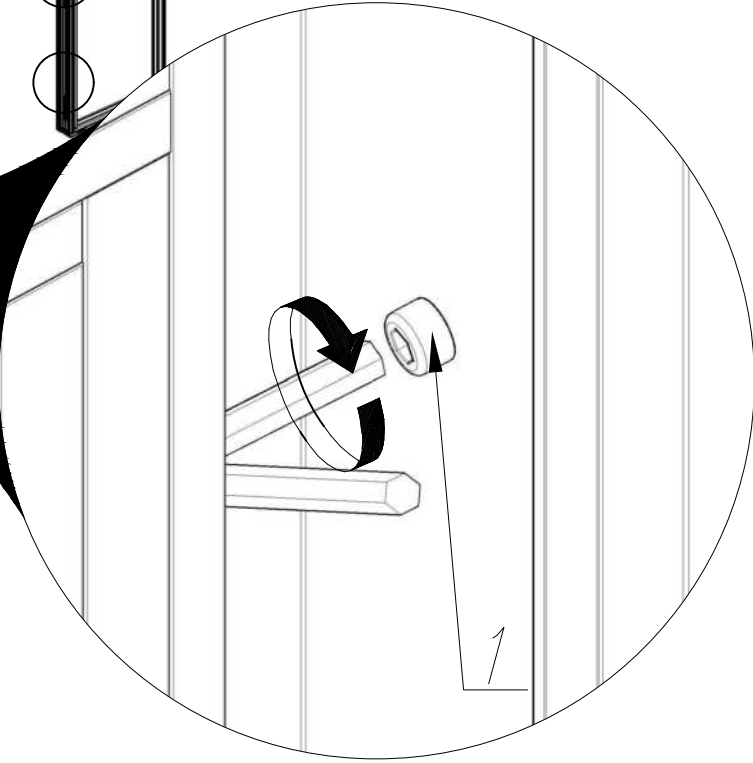
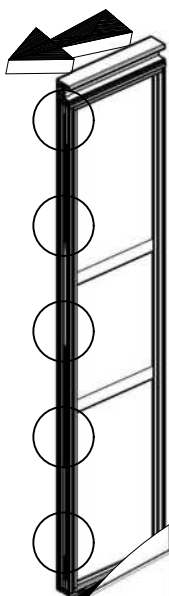
A



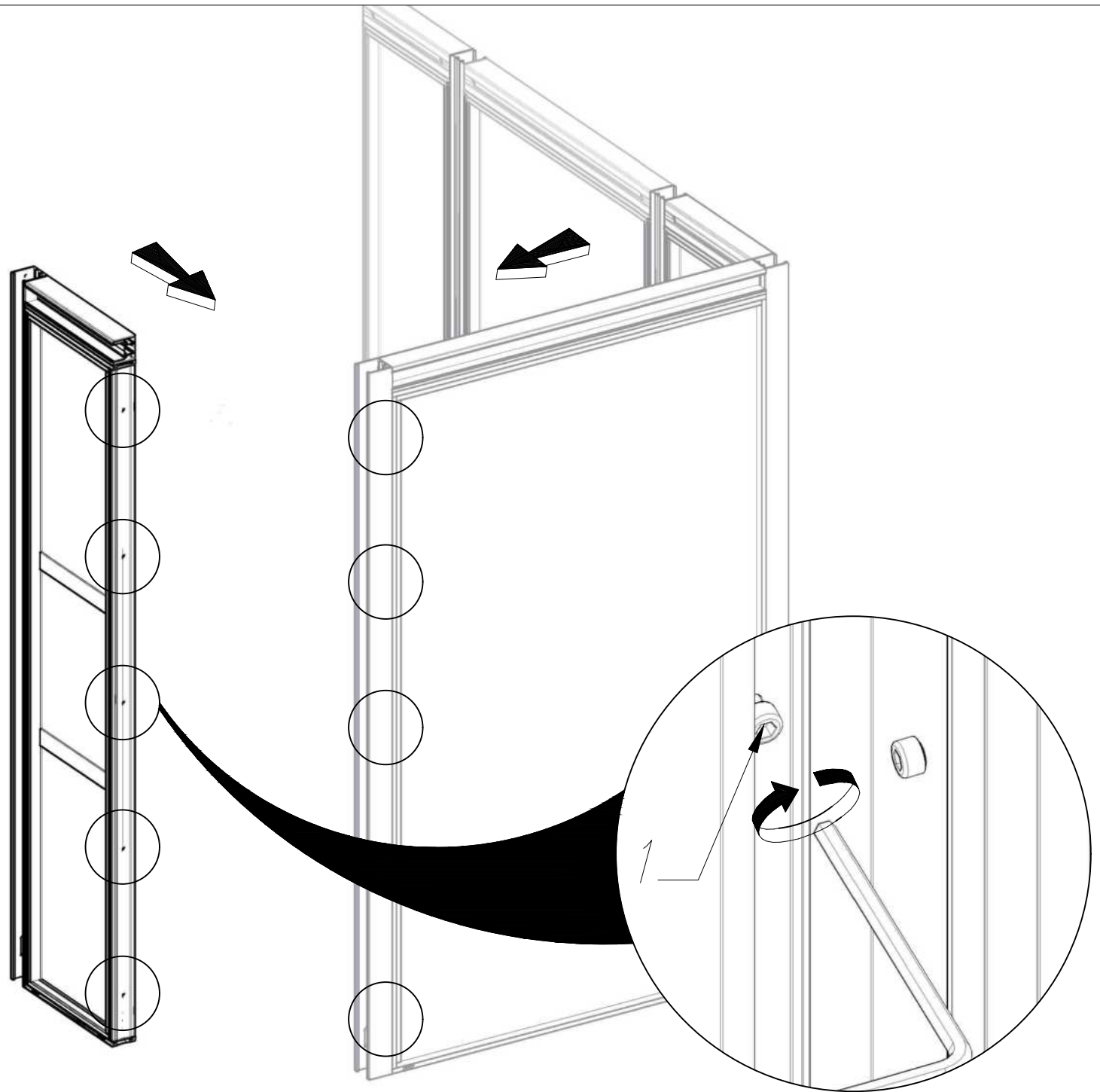
3



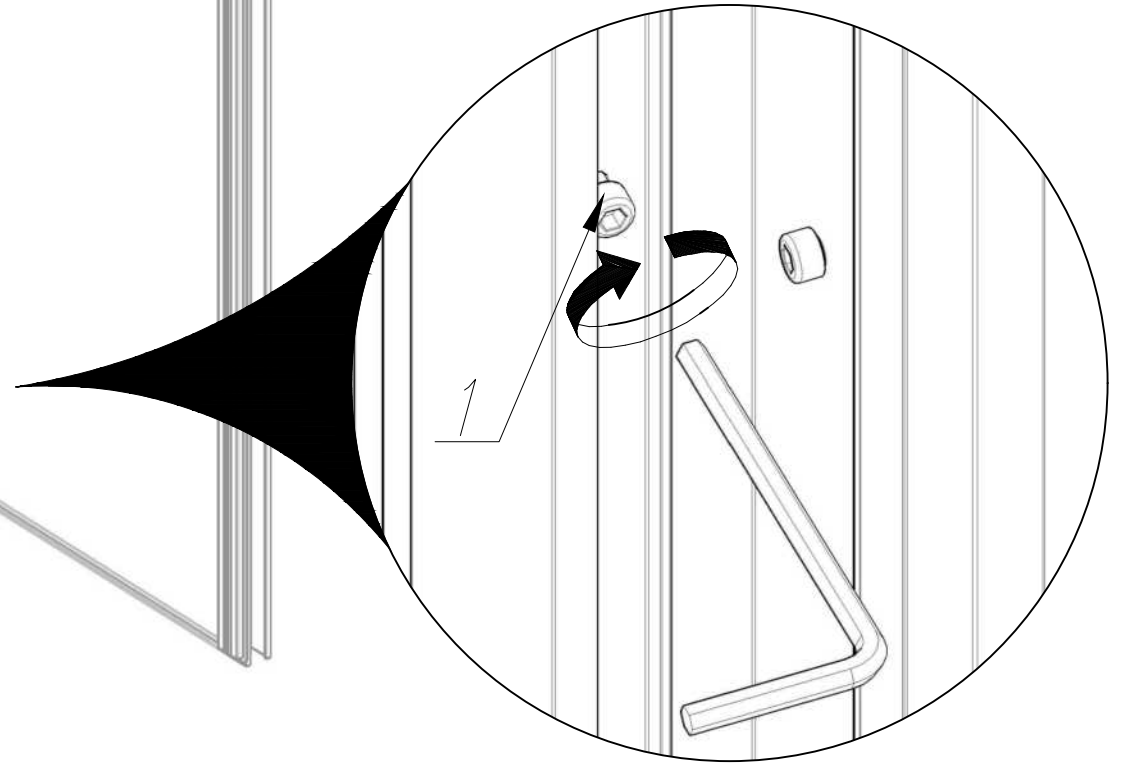
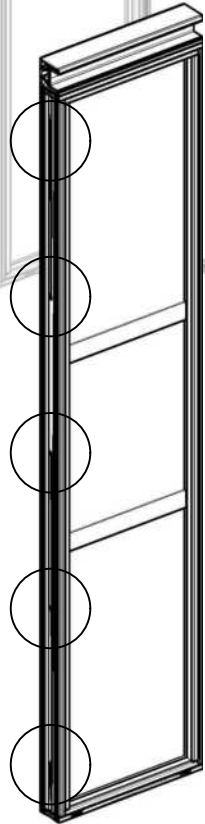
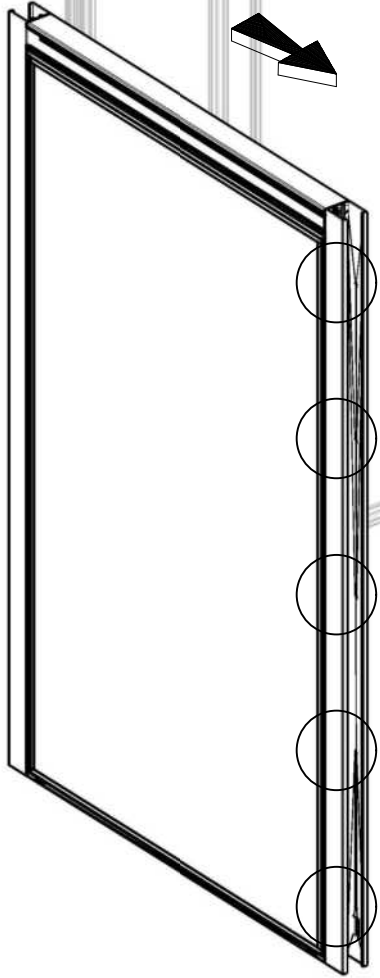
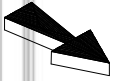
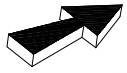
4



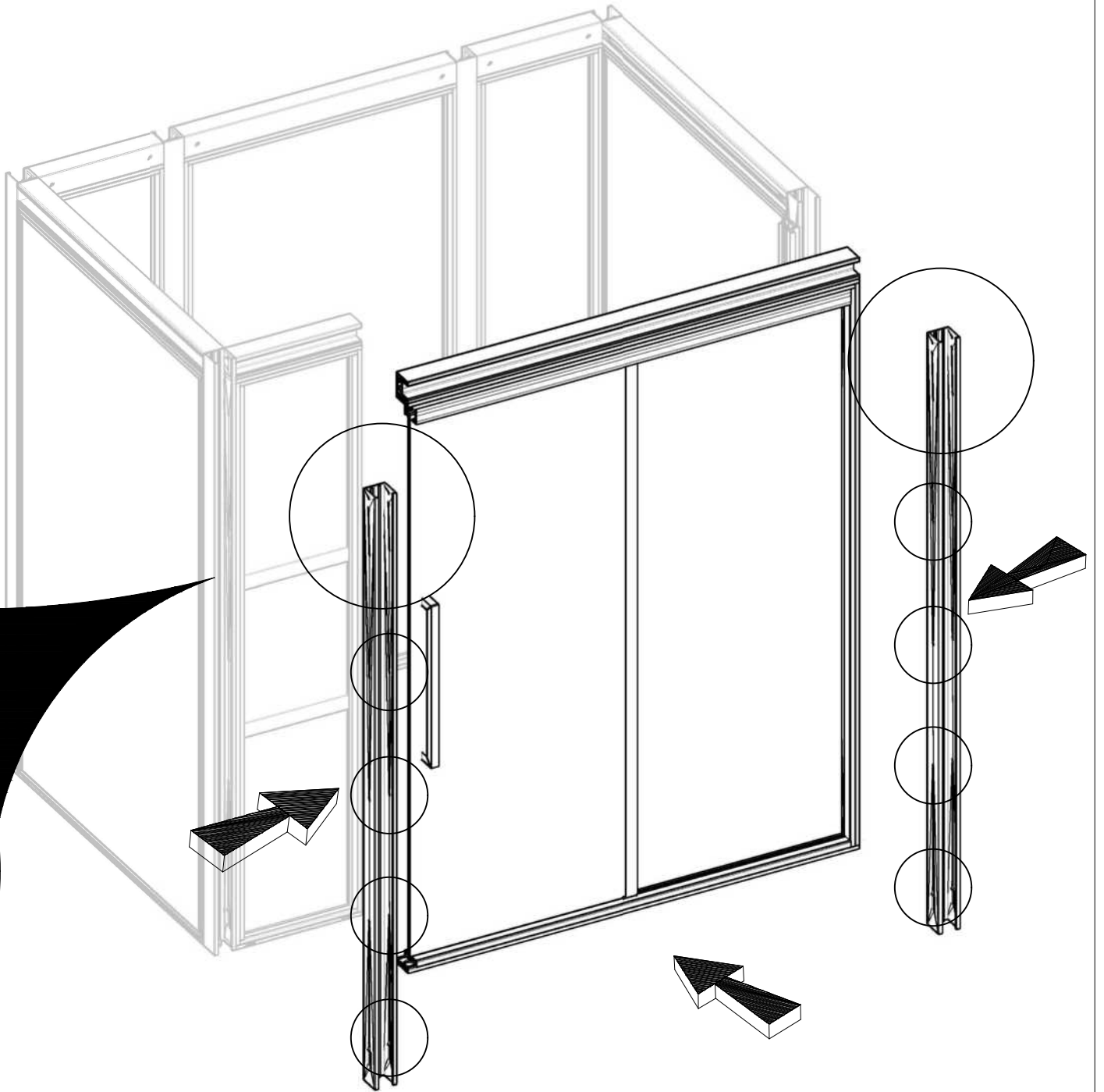
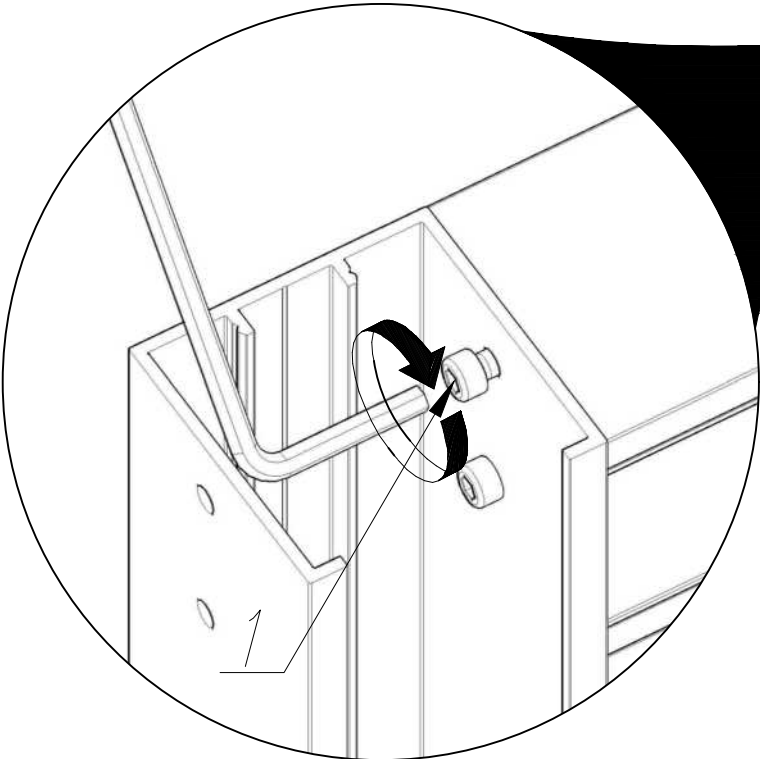
B



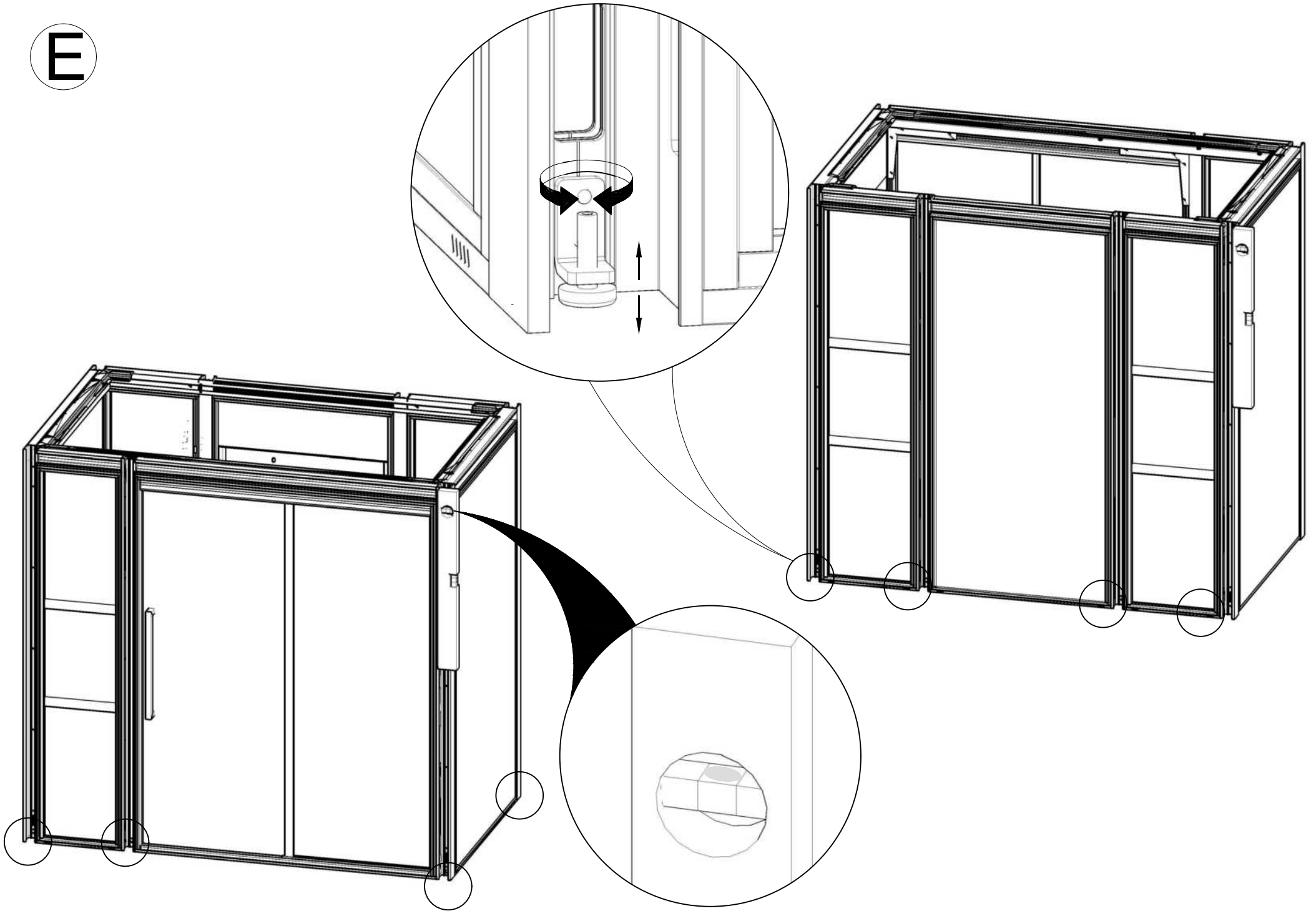
C



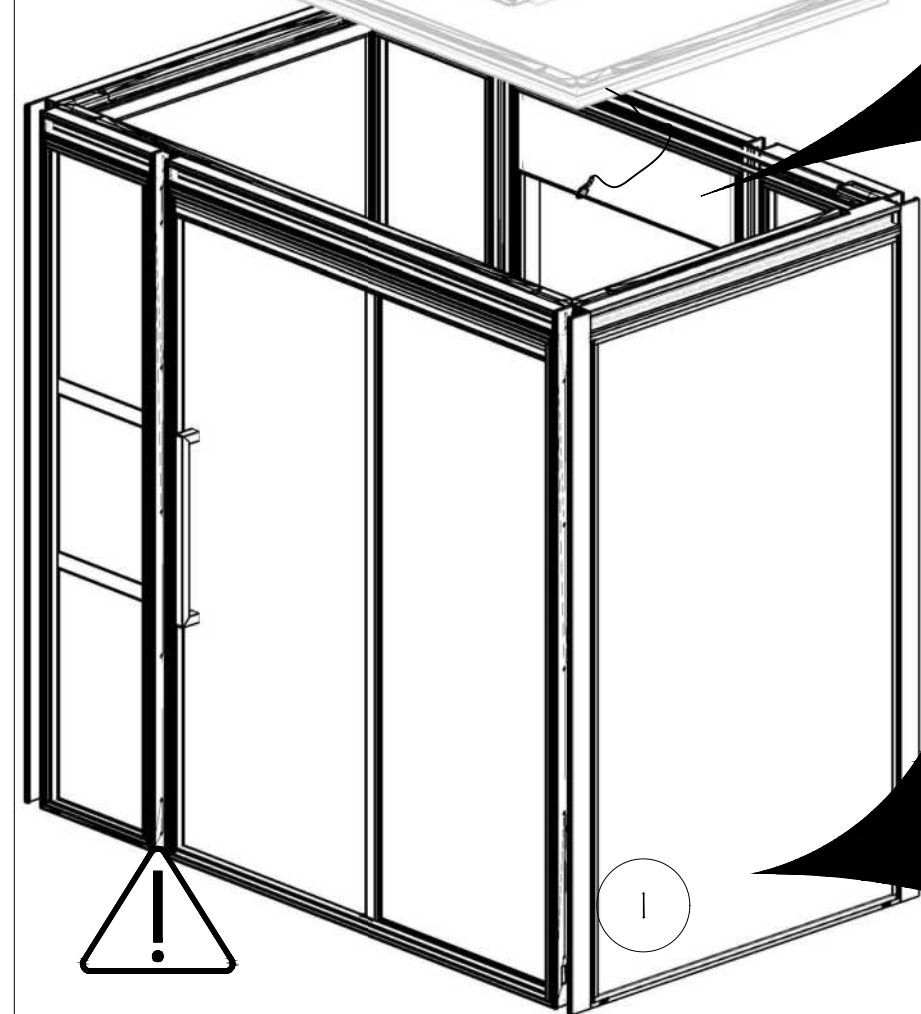
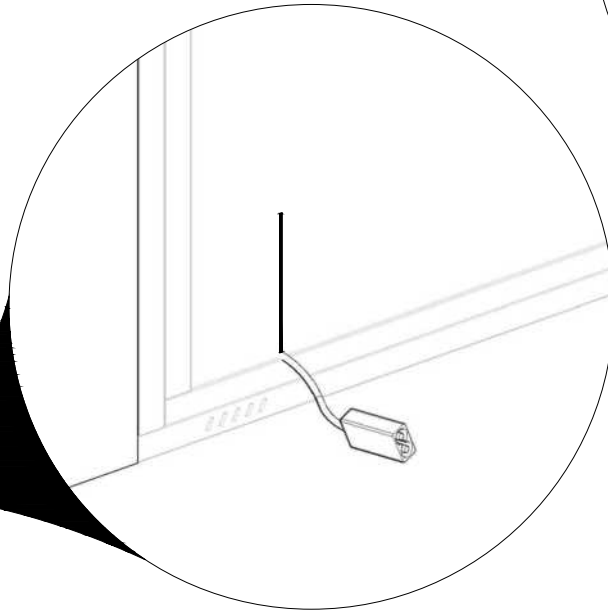
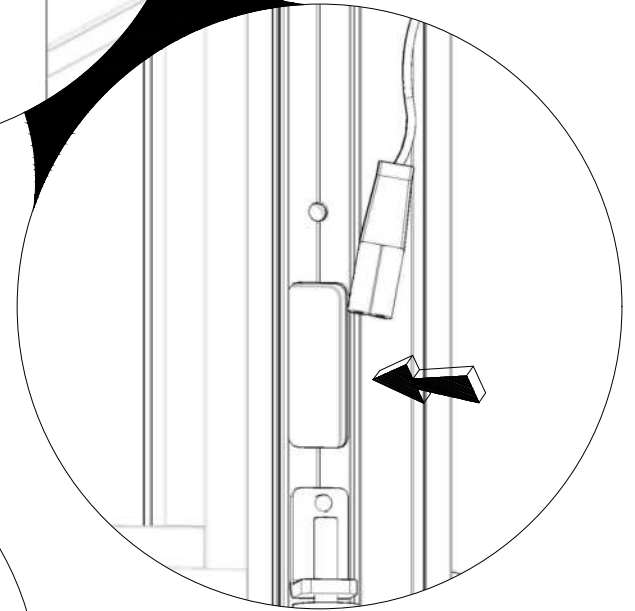
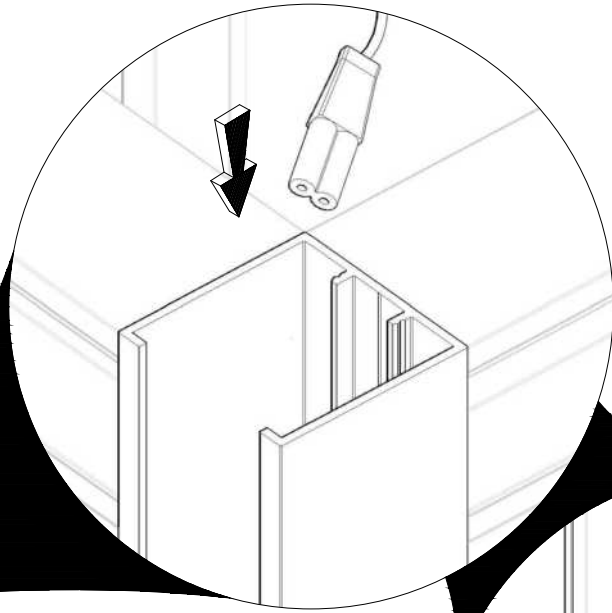
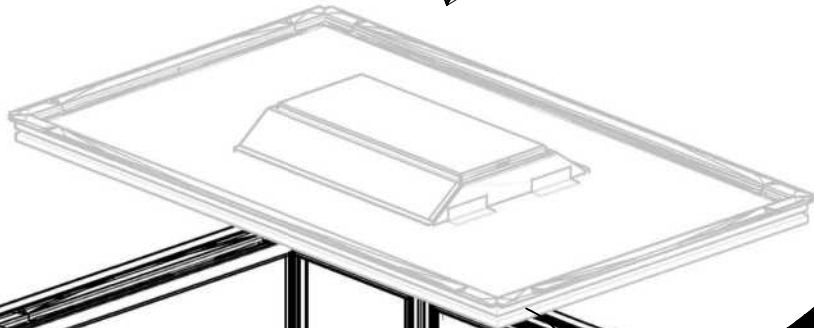
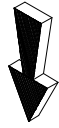
D



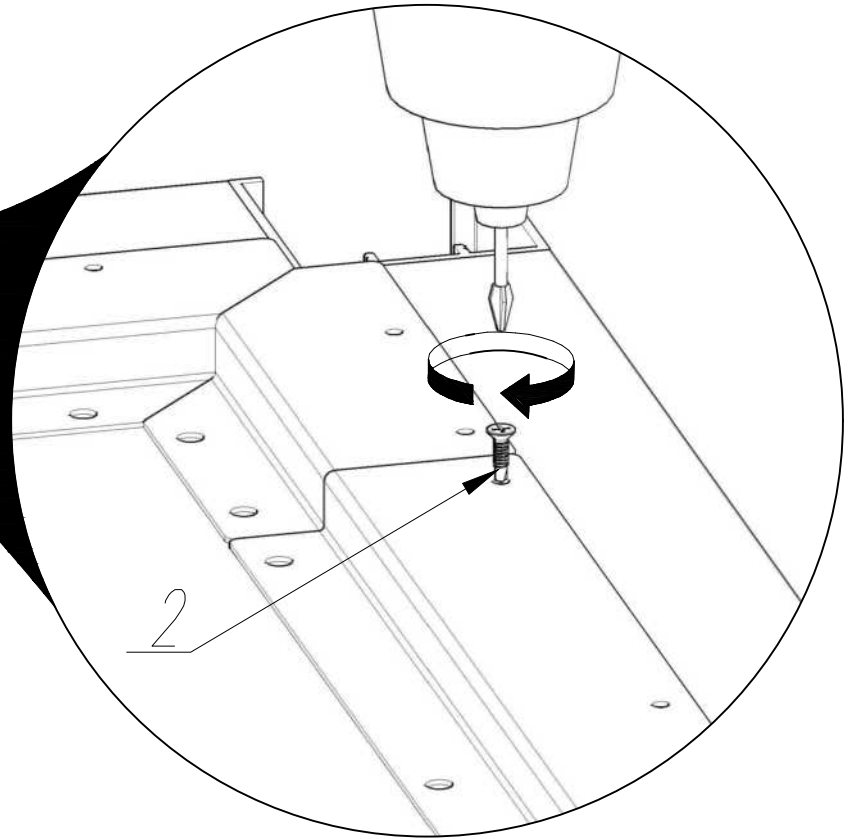
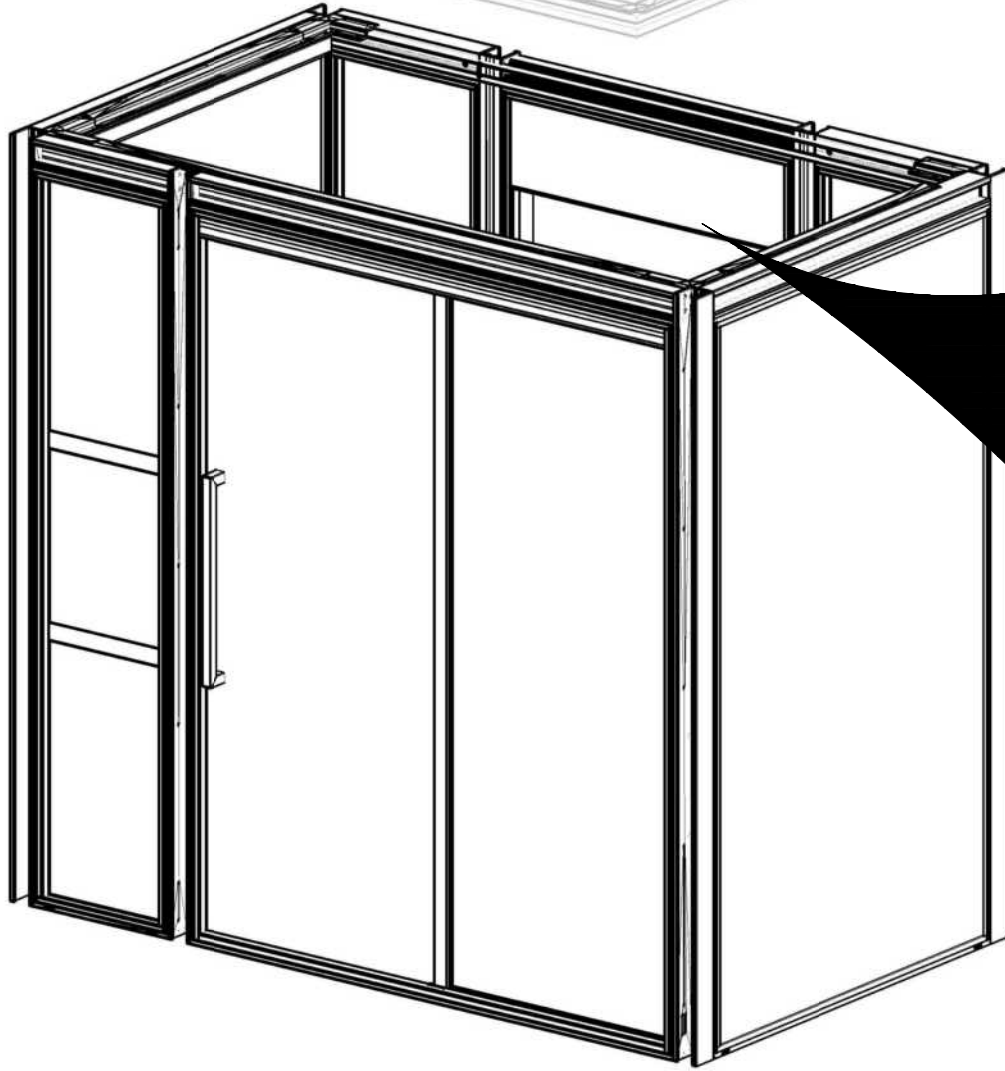
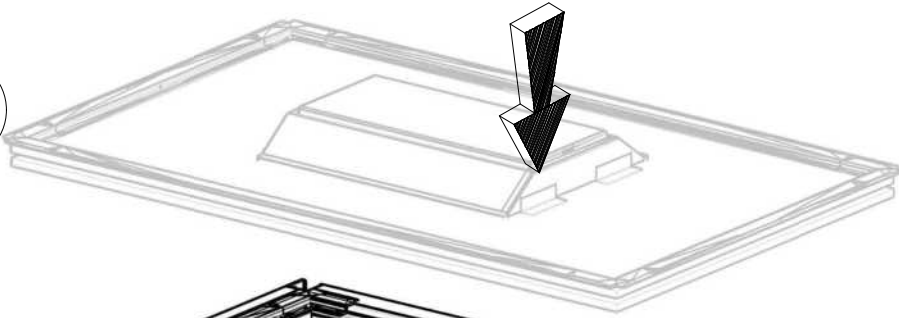
E



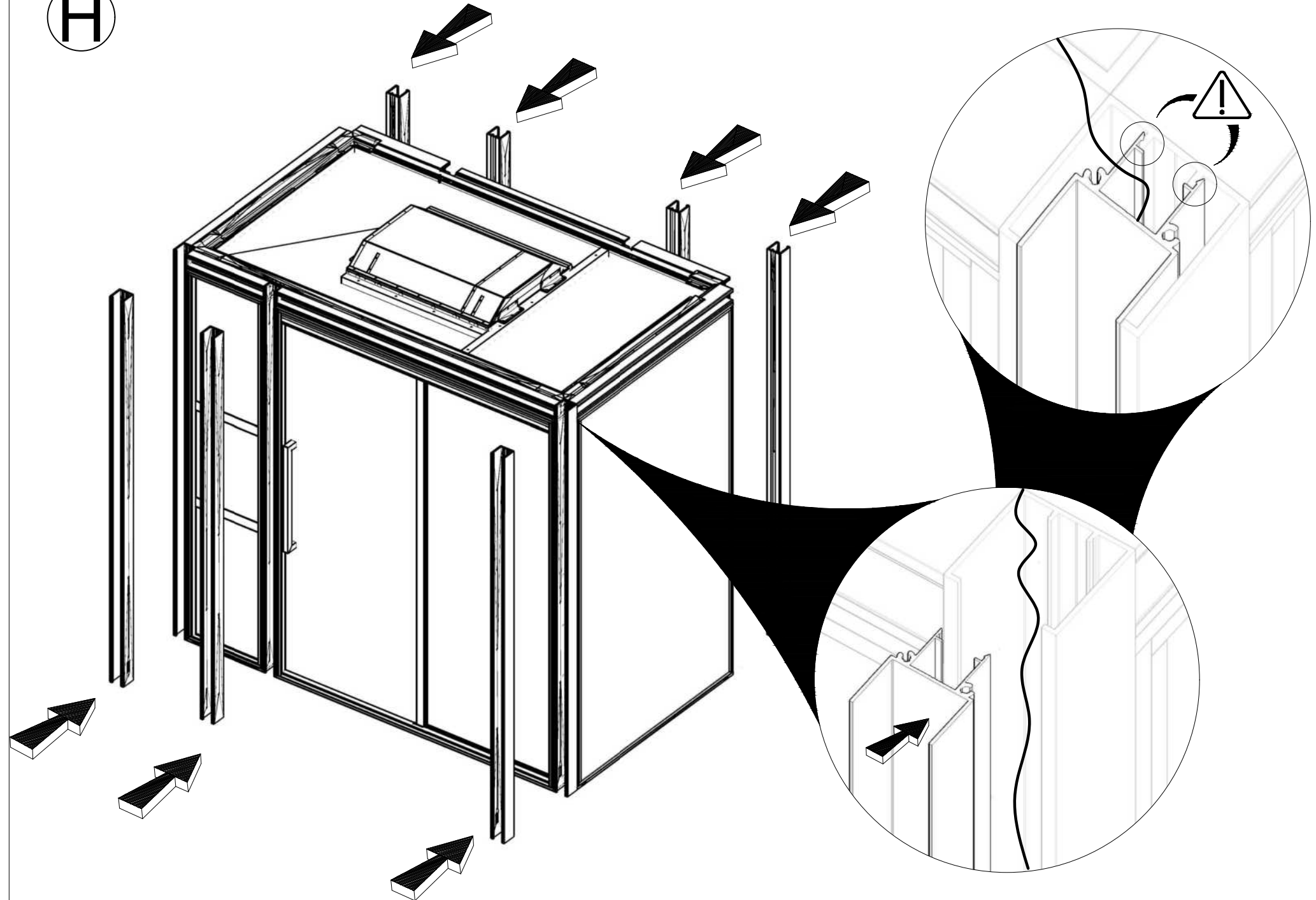
F



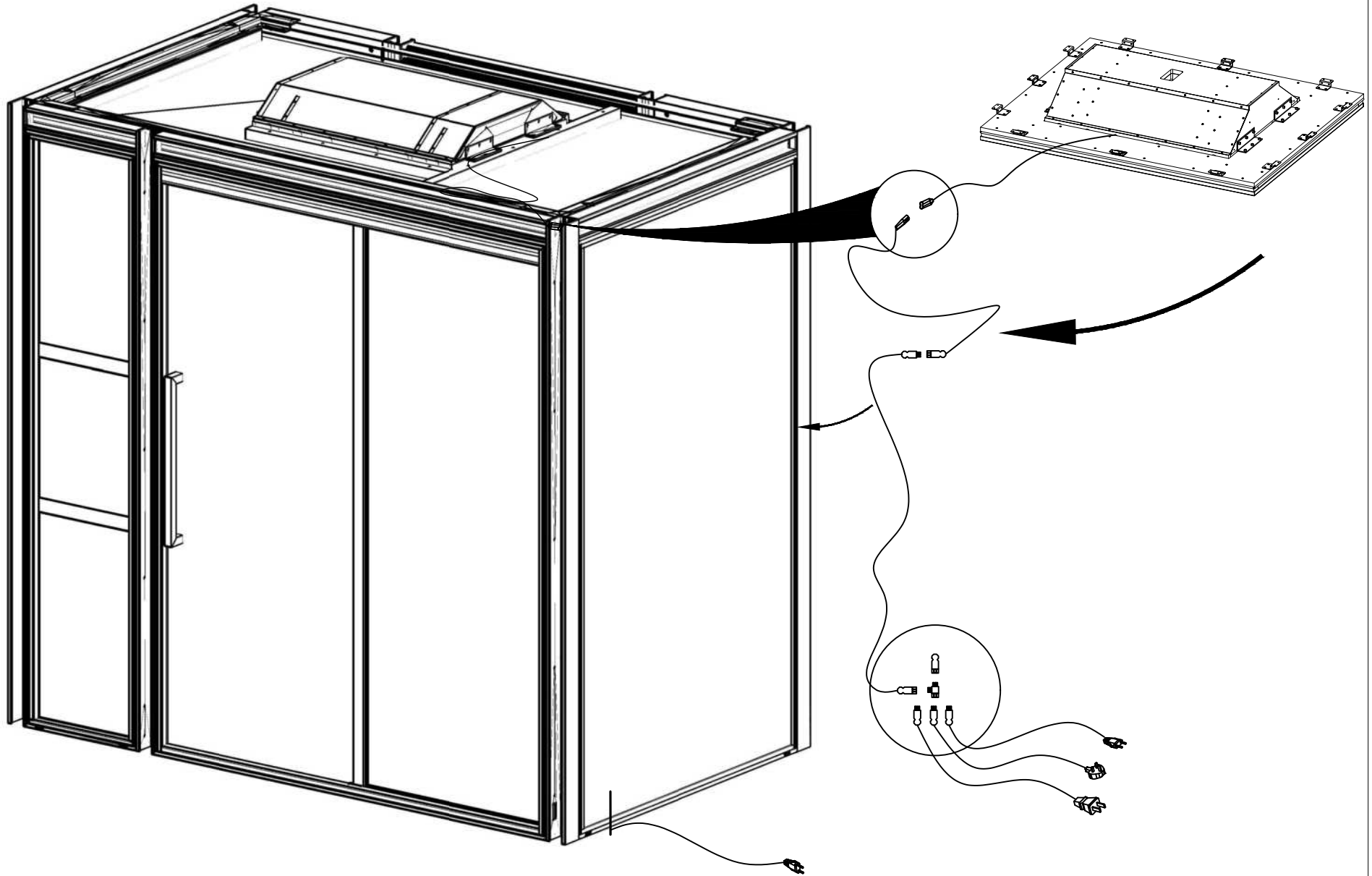
G



H



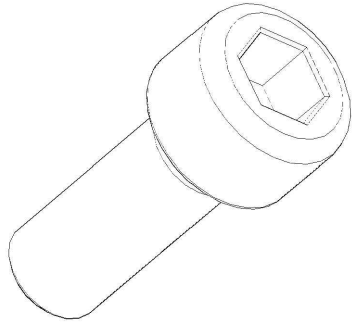
1



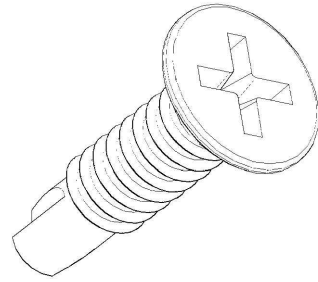
HK021

.mdd

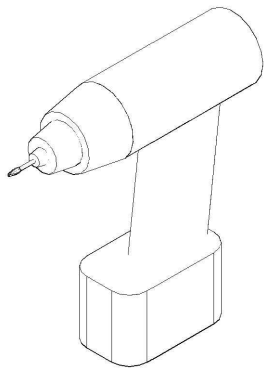
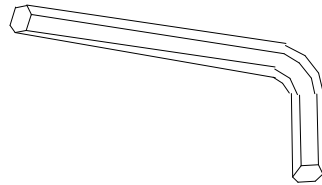




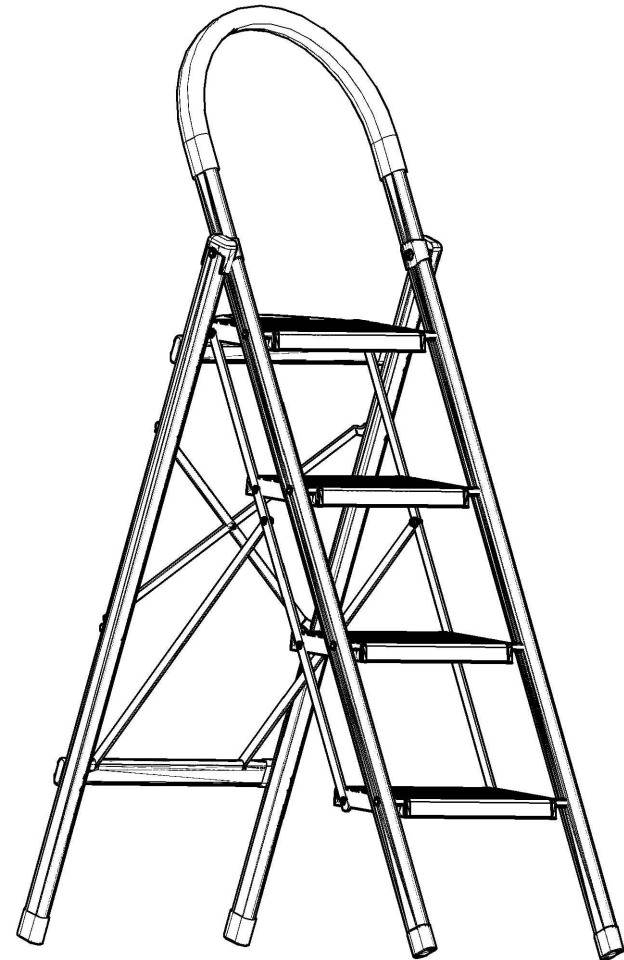
M6x16

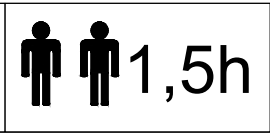
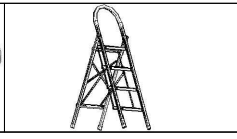
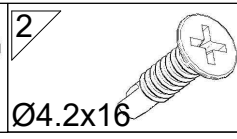
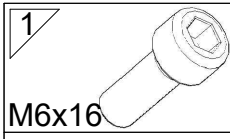


Ø4.2x16



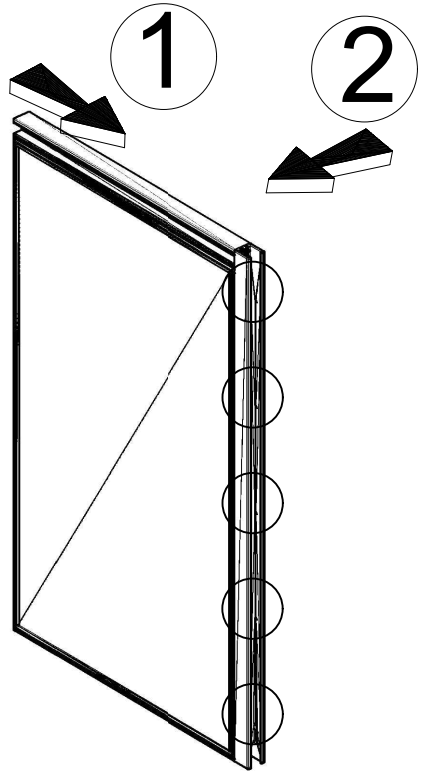
MIN 1,5M



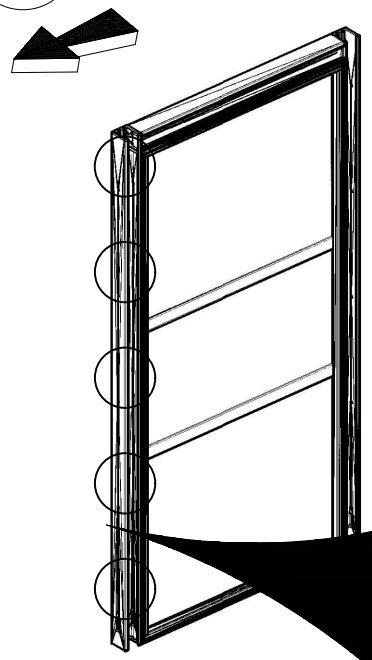


HK021

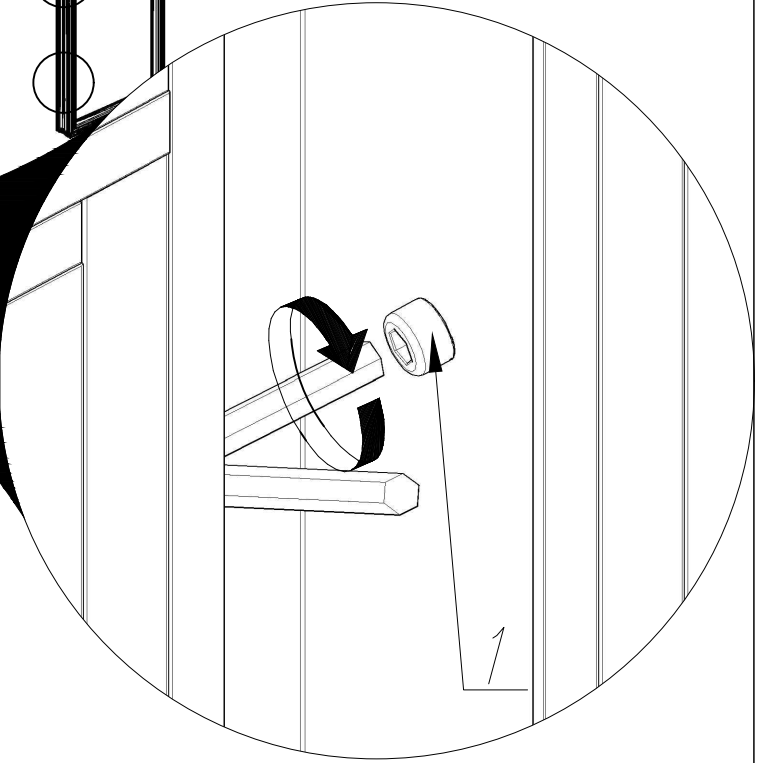
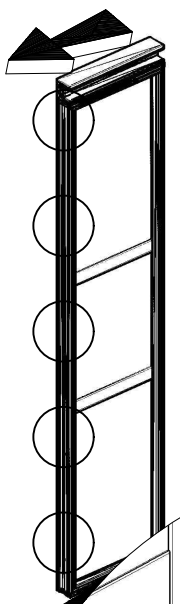
A



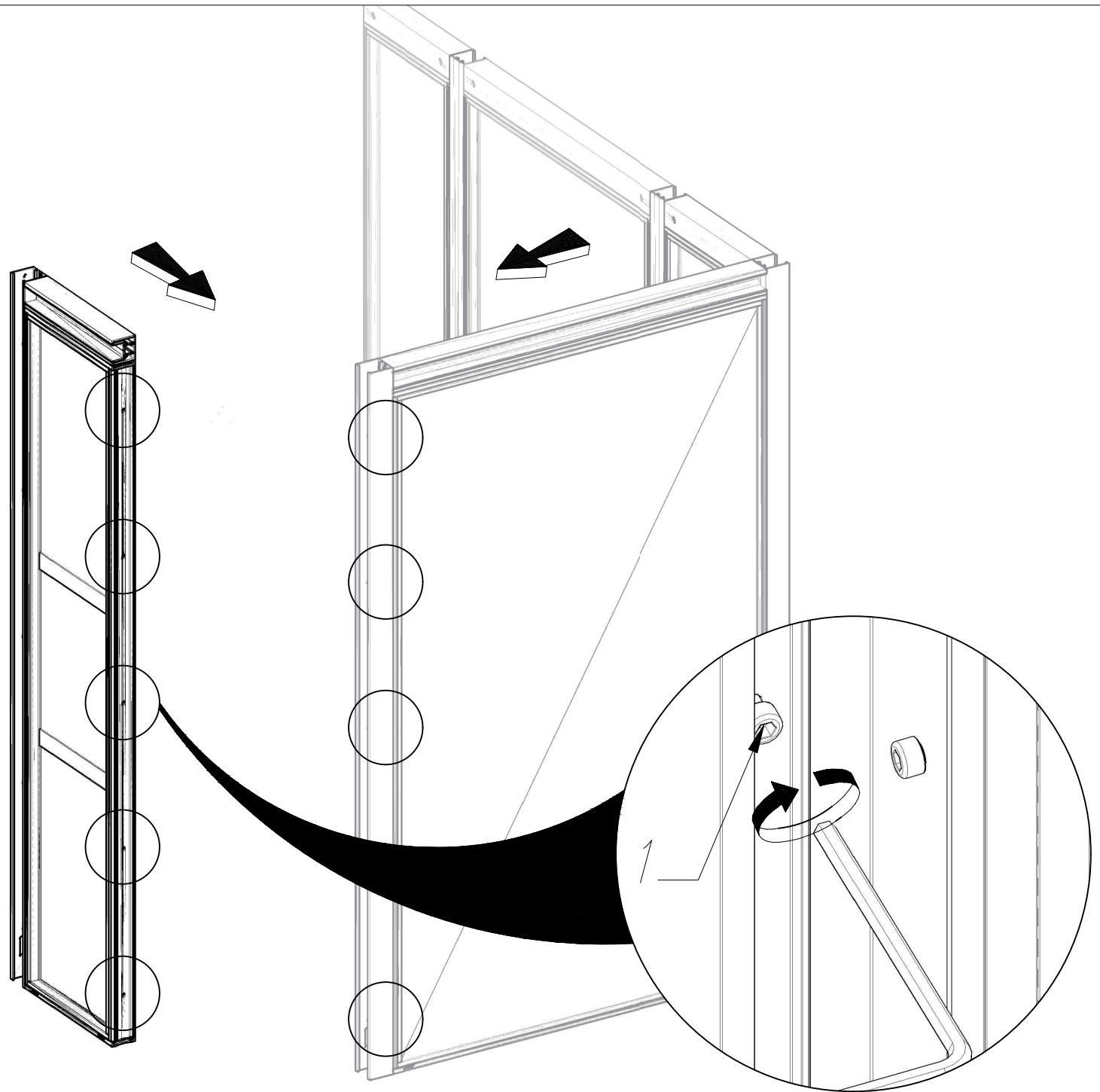
3



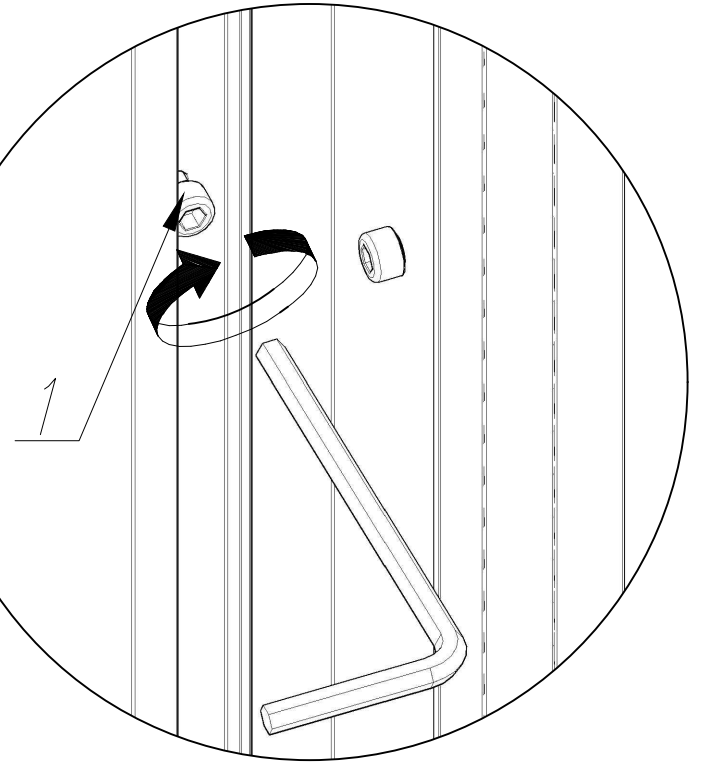
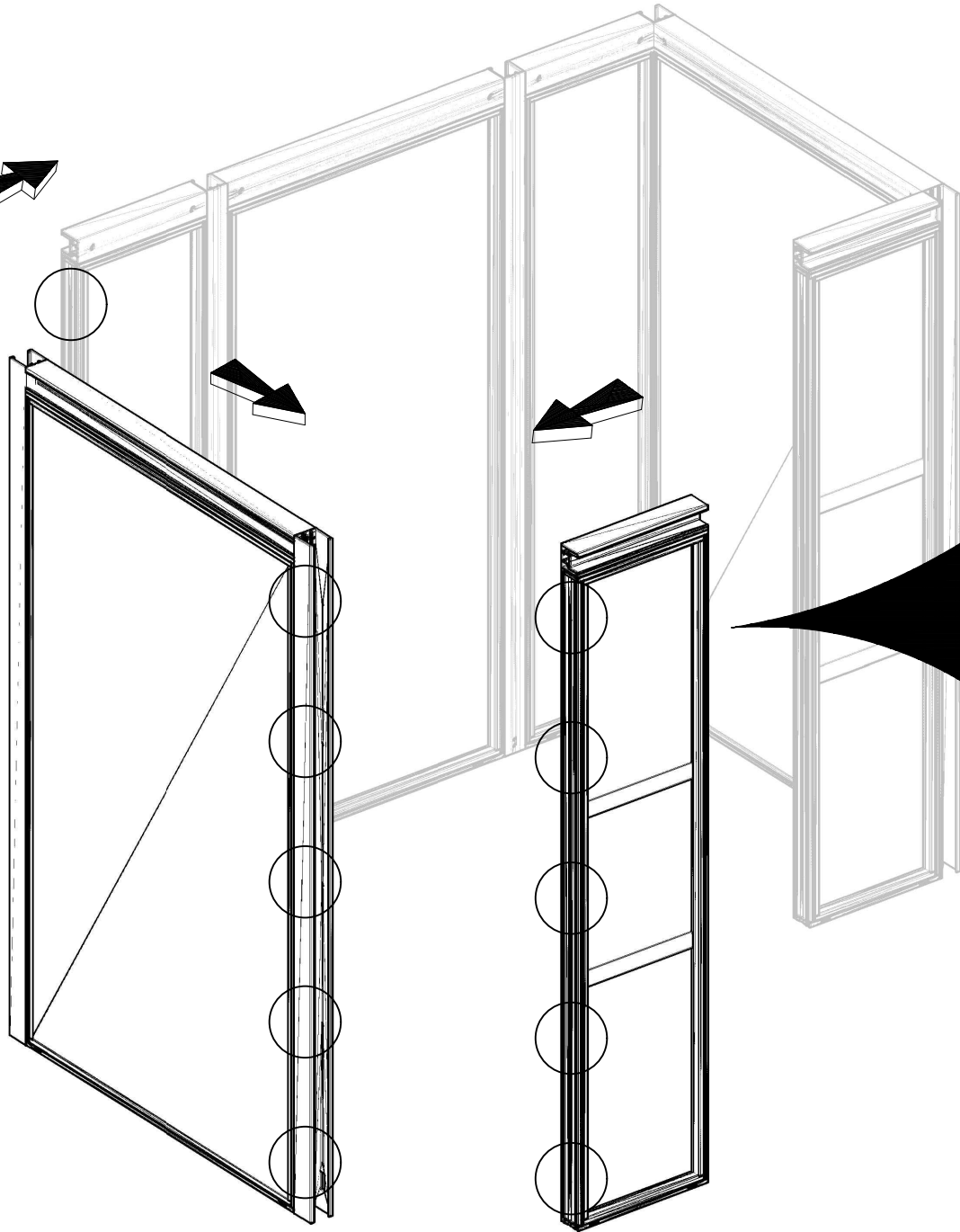
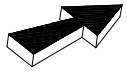
4



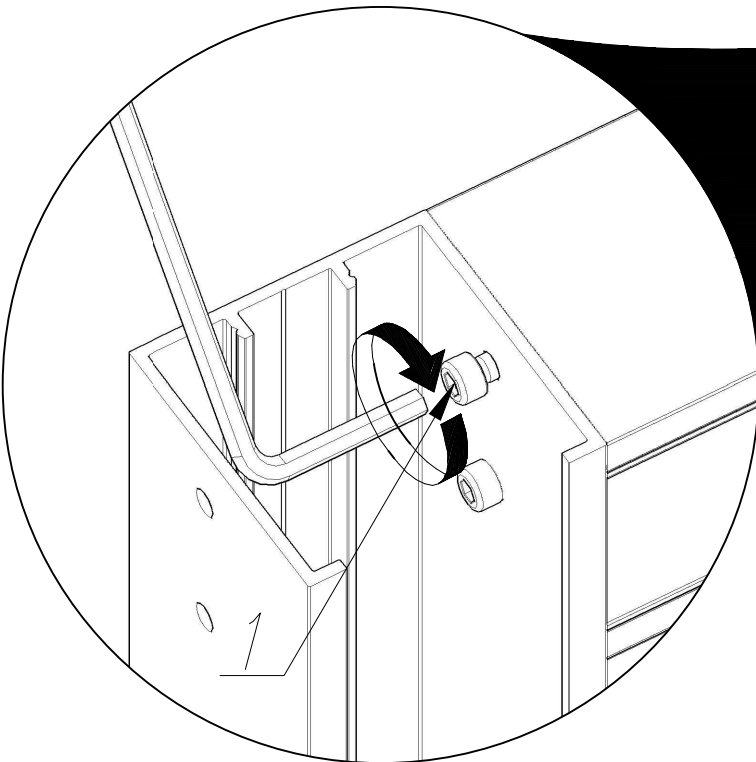
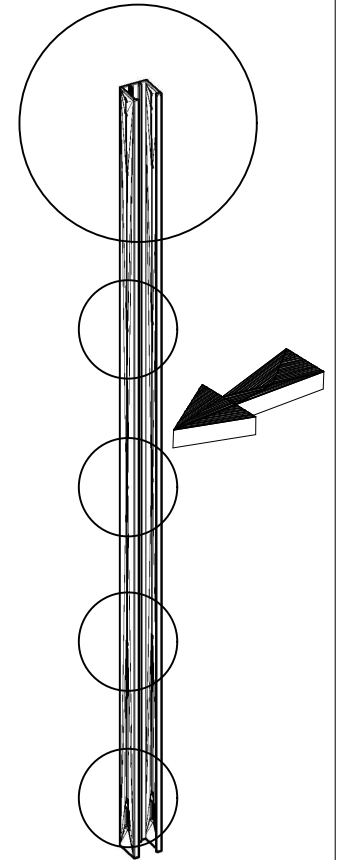
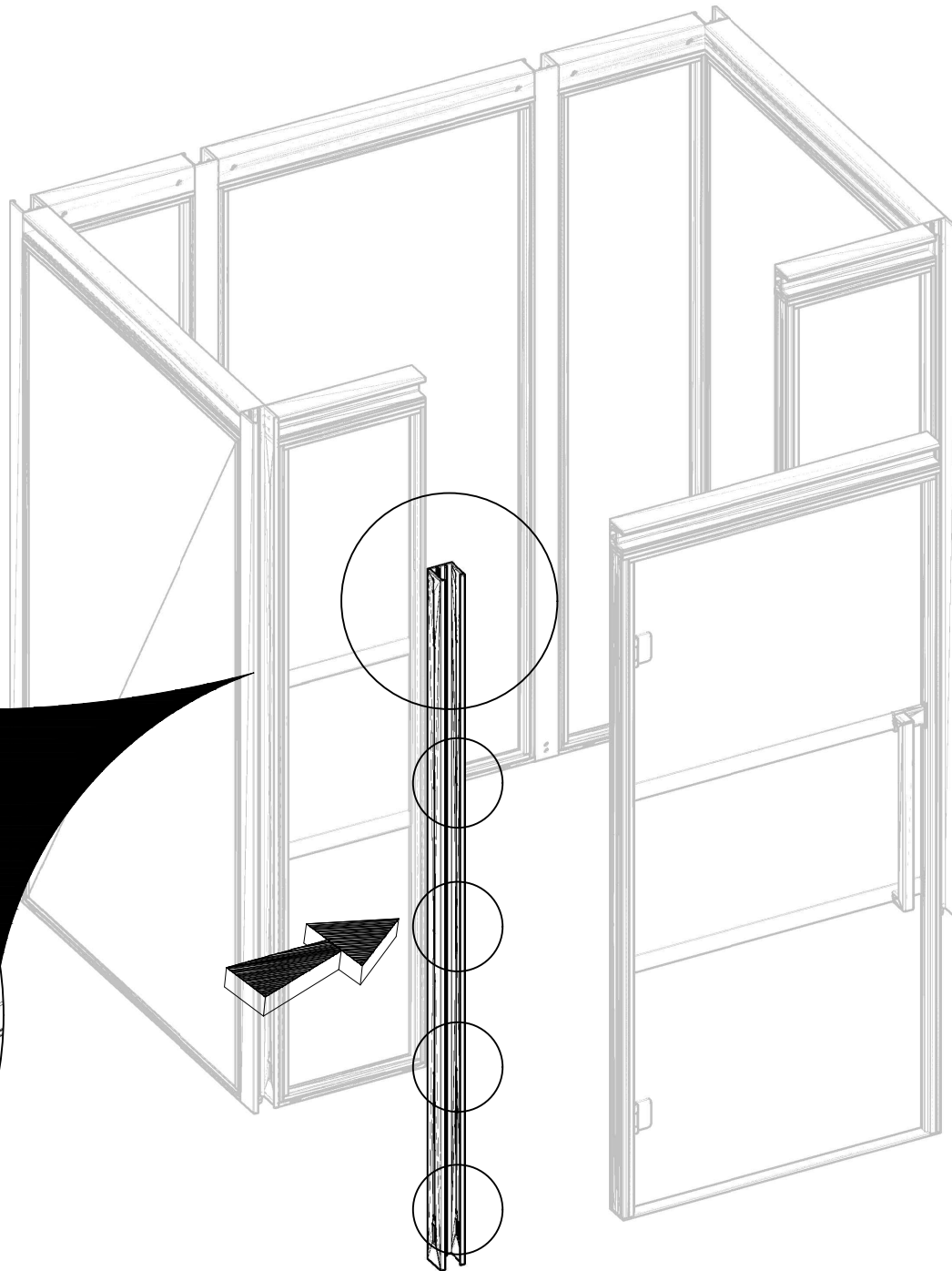
B



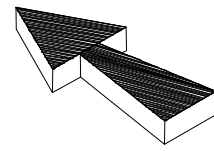
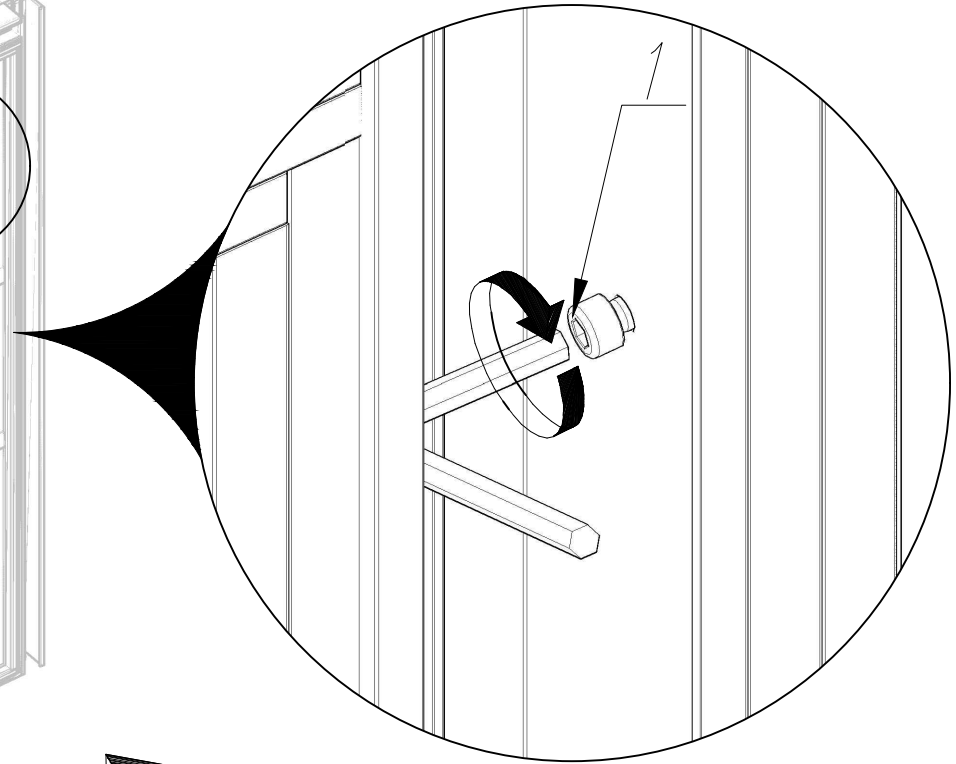
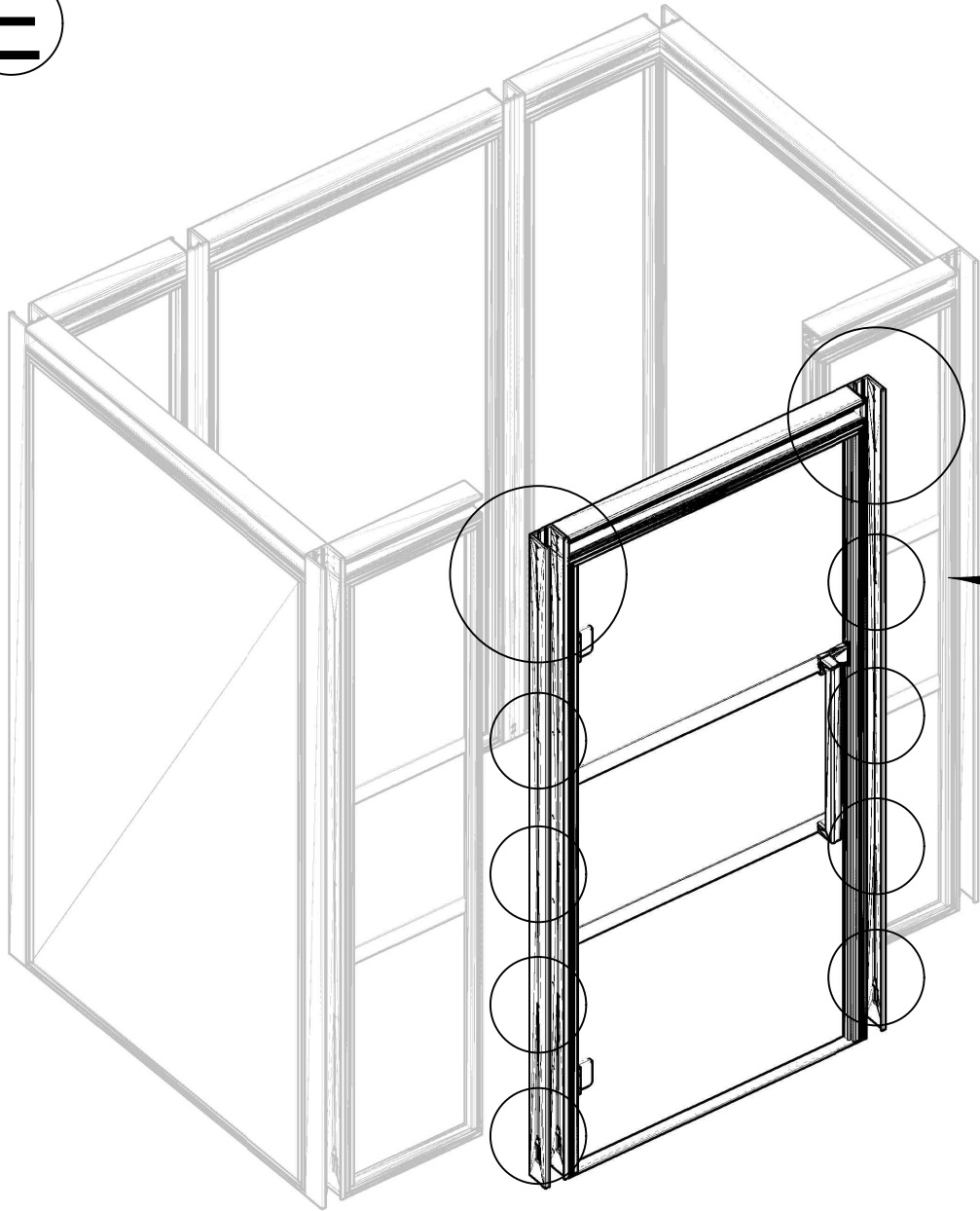
C



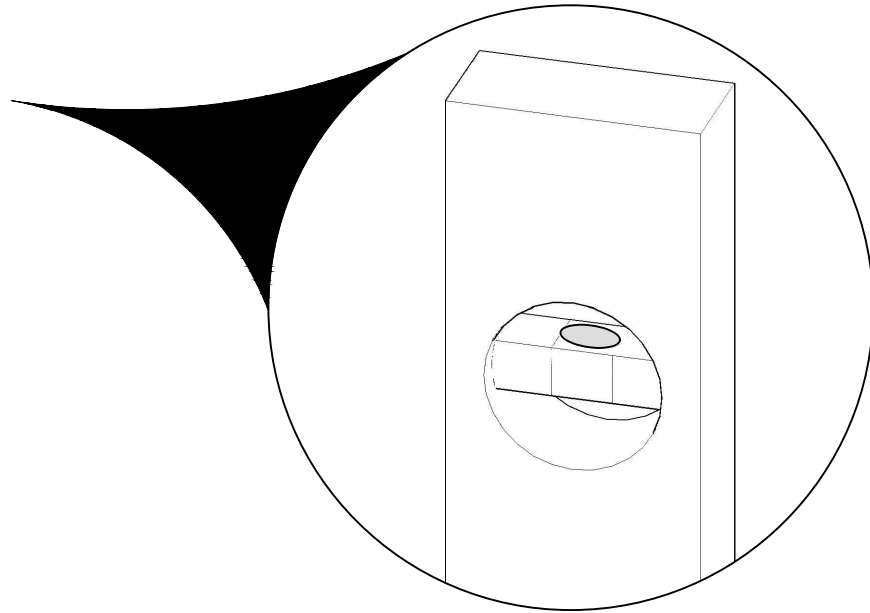
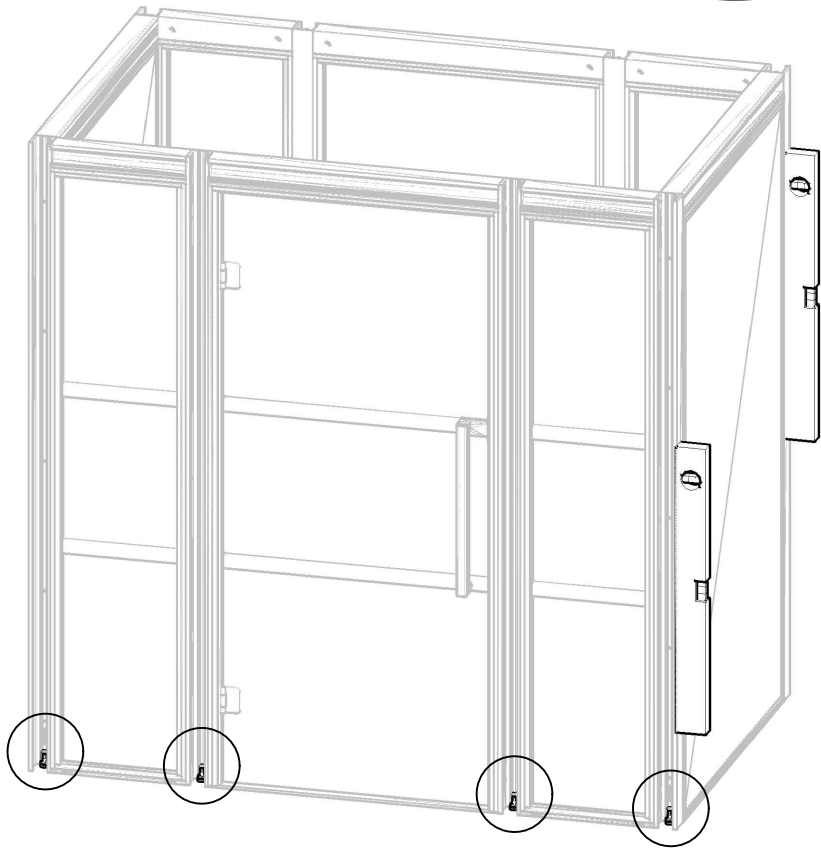
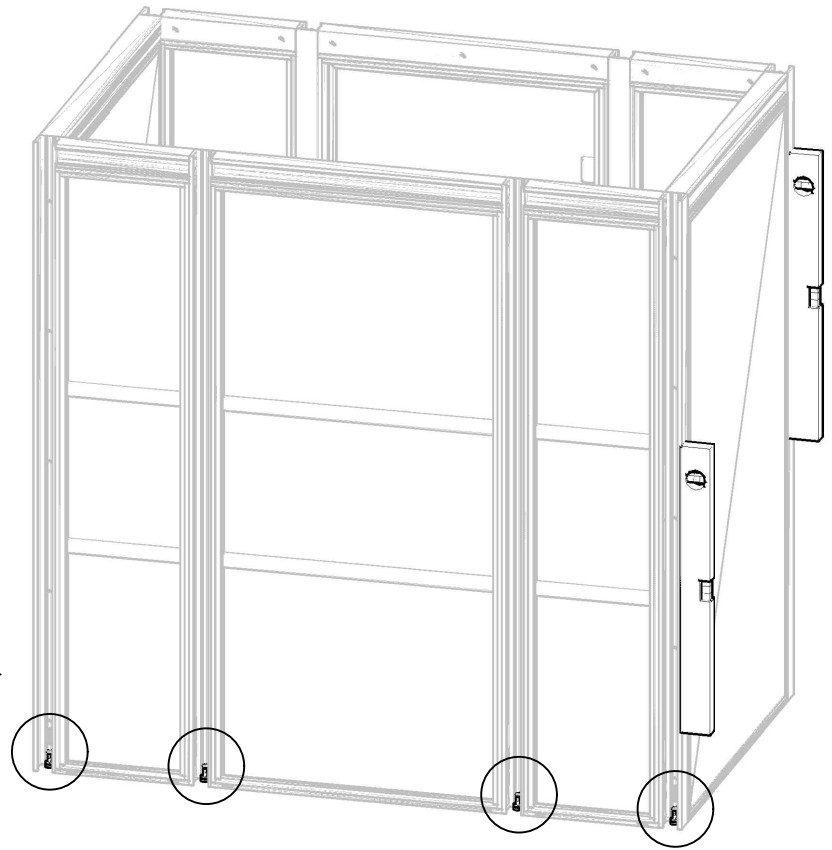
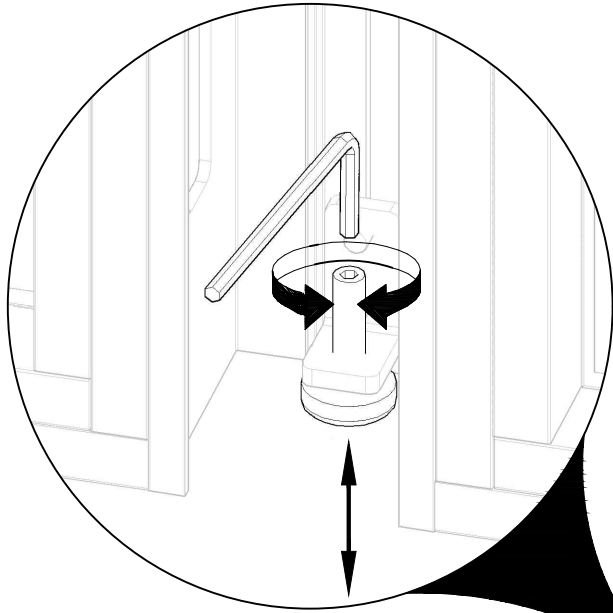
D



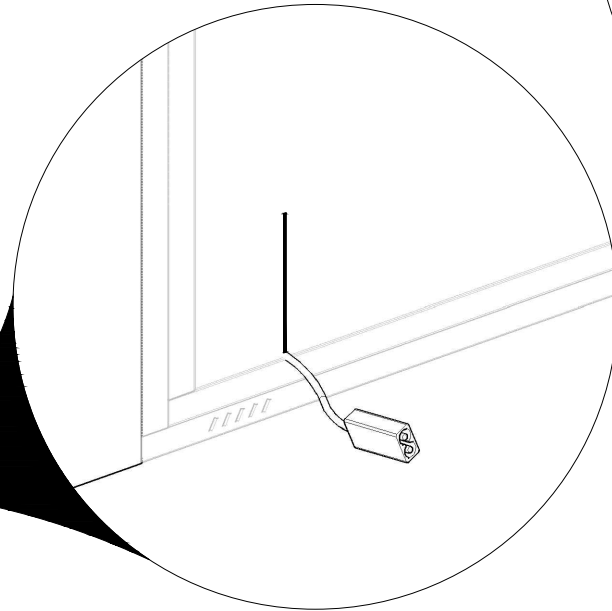
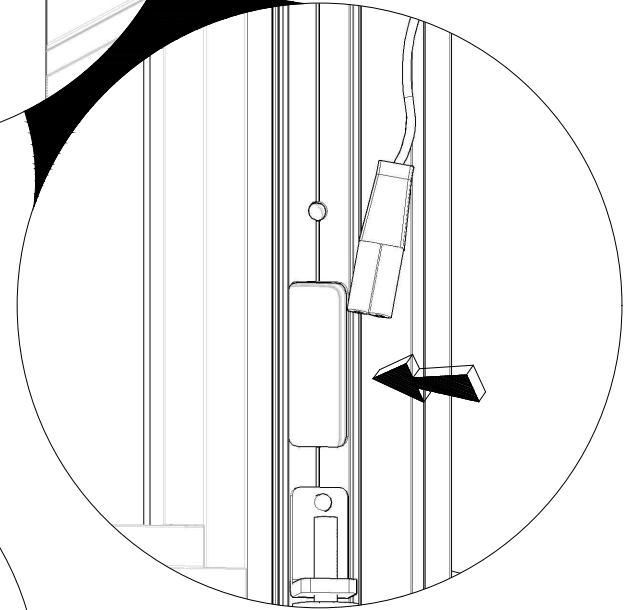
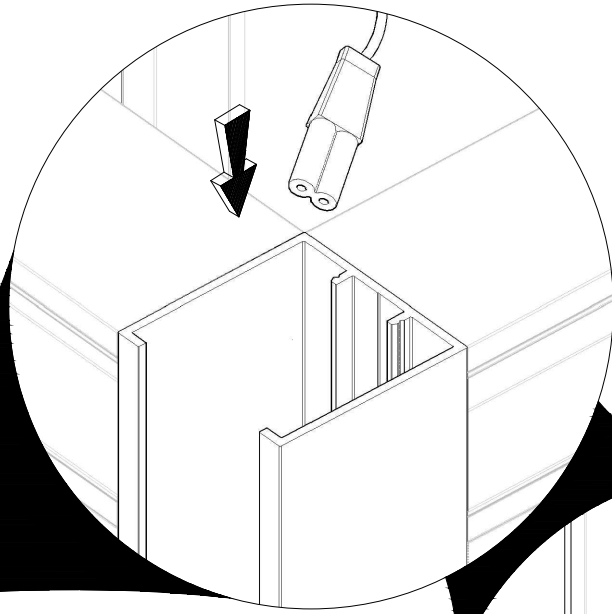
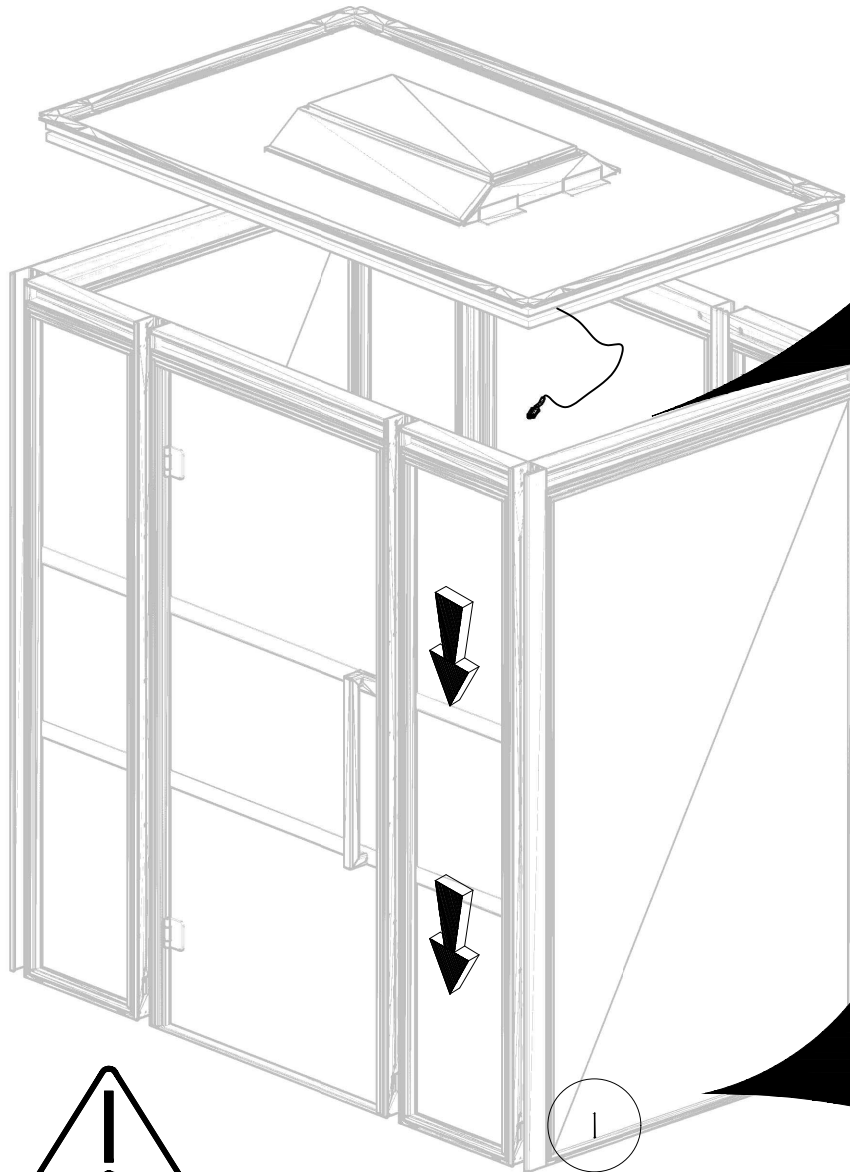
E



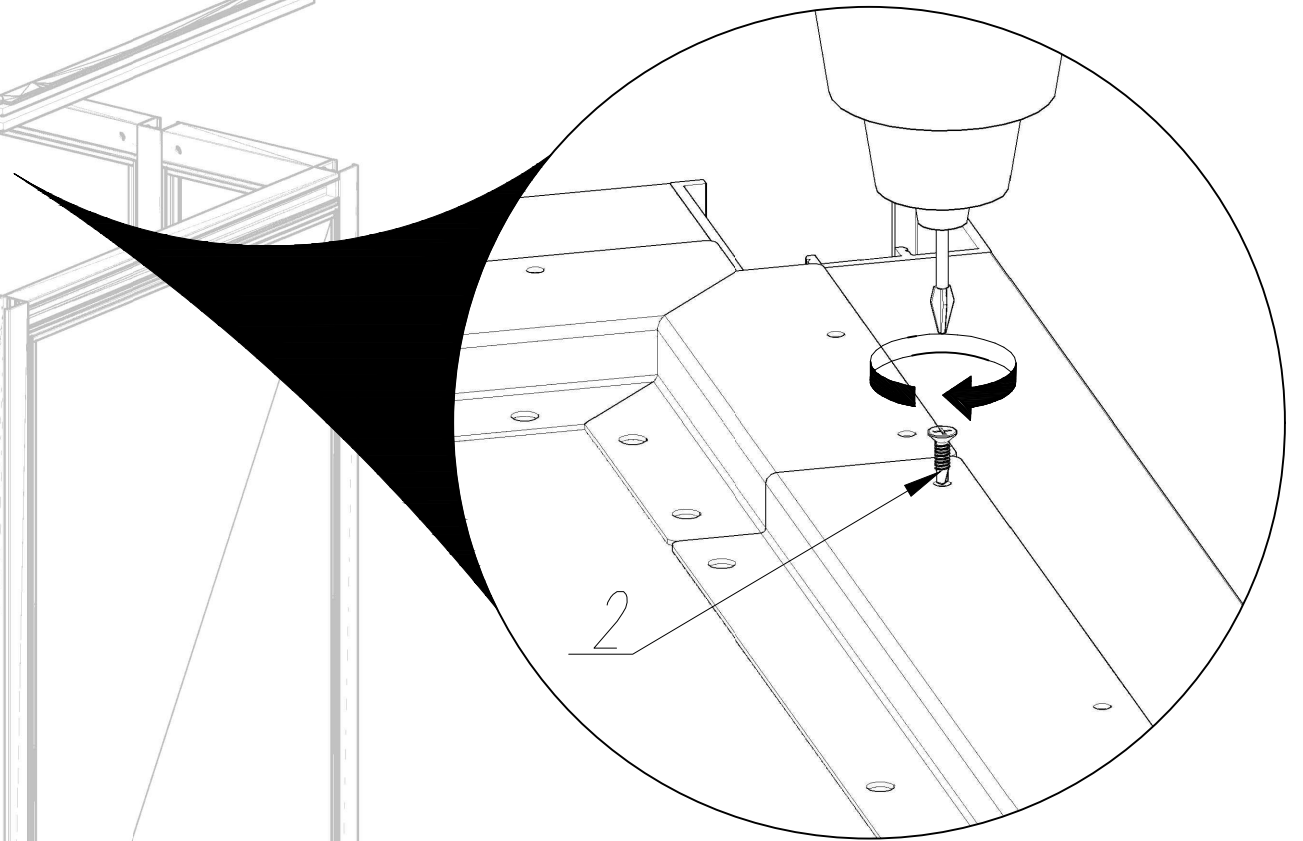
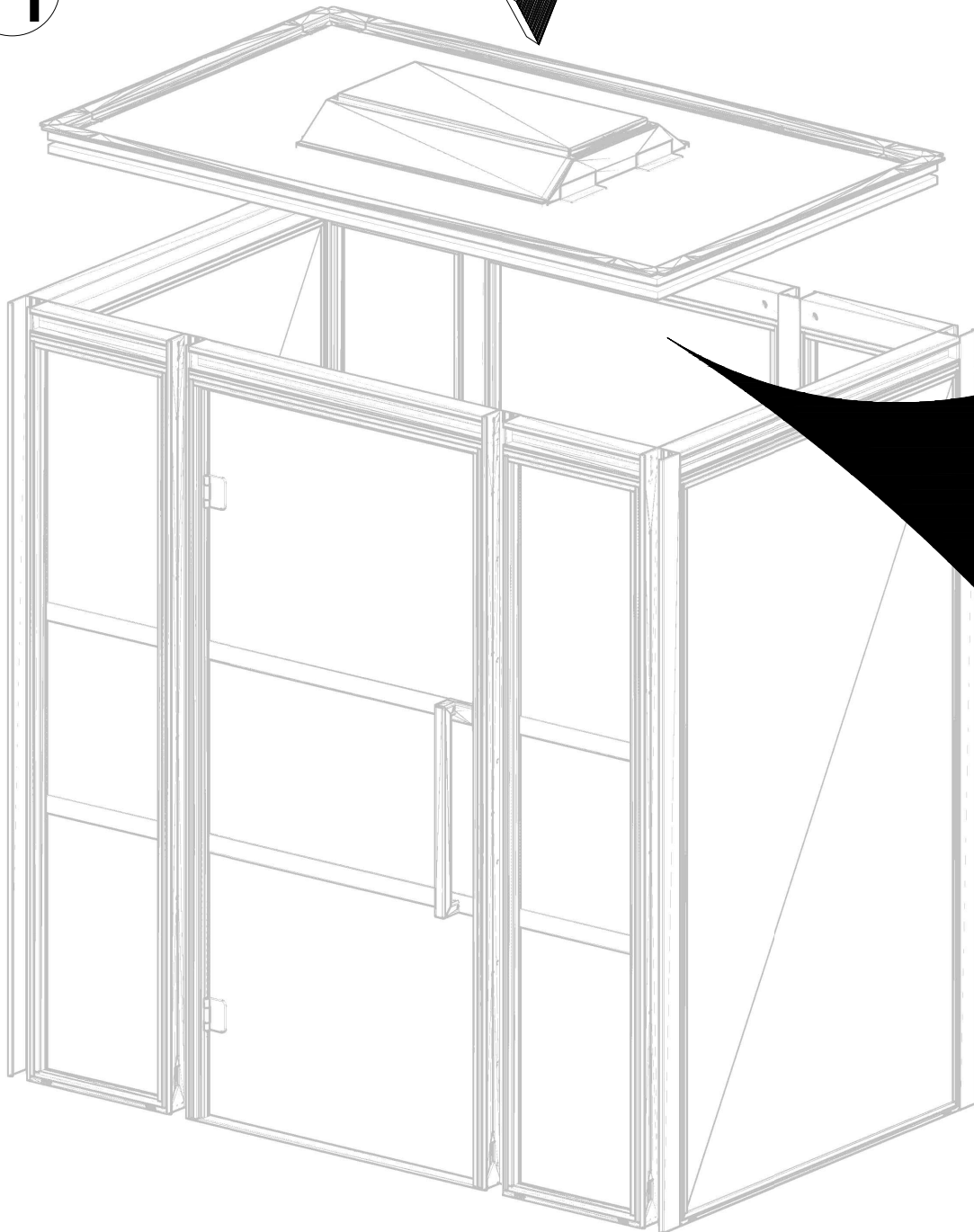
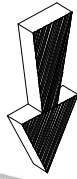
F



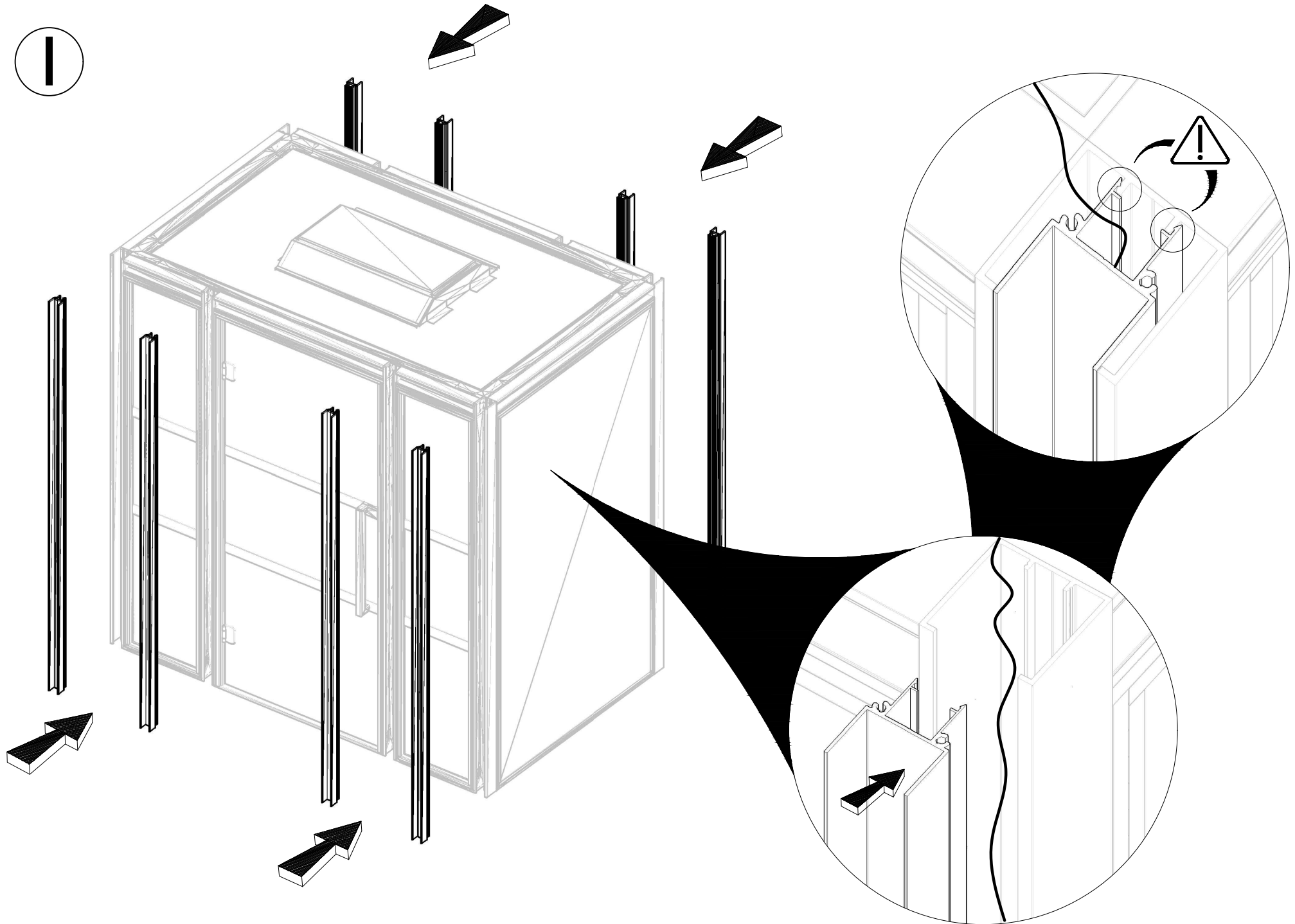
G



H



1



J

