

# Ergonomic Master technical specification



.mdd

**MDD has a leading position among manufacturers of office furniture with many awards that prove quality and continuously increase demand for its products.**

The realities of today's market require constant quality improvement at all levels of modern organization. This applies in particular to customer service, marketing, quality of products and also to quality of processes within the company.

Partnership relations among employees and with business partners form a base of economic growth and success of the company.

Constant investments in innovative machinery park, optimization of management systems and an expansion of production halls allow to minimize the lead times for the product of the highest quality.

**More than twenty years of experience in office furniture industry come with reference from a long list of companies and institutions to show their appreciation for an efficient and comprehensive service.**

**MDD is highly aware of the environment.**

Being located in the forest region with lake by its side, MDD takes the nature seriously and invests constantly in a modern and energy-efficient solutions to preserve the local life. Company puts emphasis on waste segregation and recycling. MDD has been awarded for the exceptional care and involvement in waste disposal. All materials used are environmentally friendly and enjoy a high 95 % rate of being recycled.



**General informations:**

**Warranty:**

MDD products – **5 years.**

Electrical components and fabric – **2 years.**

**Certificate - MFC:**



**Compliant with standards:**

PN-EN 527-2:2017-02

**Boards density:**

12 mm - 690 - 750 kg/m<sup>3</sup>

18 mm - 650 - 690 kg/m<sup>3</sup>

28 mm - 610 - 630 kg/m<sup>3</sup>

36 mm - 610 - 630 kg/m<sup>3</sup>

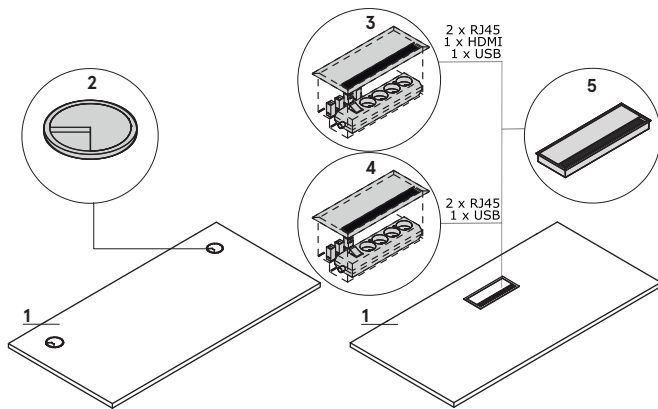
**Assembly:**

product delivered in separate elements

**Packing:**

cardboard

## Worktop



1. **Worktop** - MFC 28 mm, ABS edge

**OPTIONS WITH EXTRA CHARGE:**

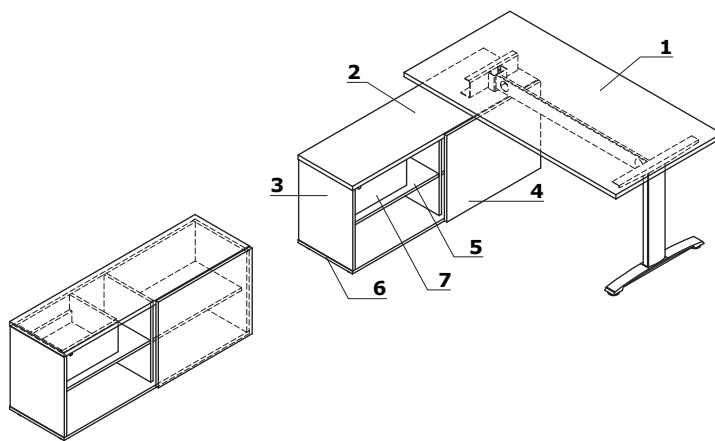
2. **Grommet** - 2 pcs, Ø 80 mm

3. **Mediabox M04H** - 2xRJ45 (class E, cat. 6); +1 x USB + 1 x HDMI + 4x 230V, colour: M009 - aluminium semi-matt

4. **Mediabox M04** - 2xRJ45 (class E, cat. 6); +1 x USB + 4x 230V, colour: M009 - aluminium semi-matt

5. **Top access M05** - colour: M009 - aluminium semi-matt

## Desk with managerial storage



1. **Worktop** - MFC 28 mm, ABS edge

2. **Top** - MFC 28 mm, ABS edge

3. **Side panels** - MFC 18 mm, ABS edge

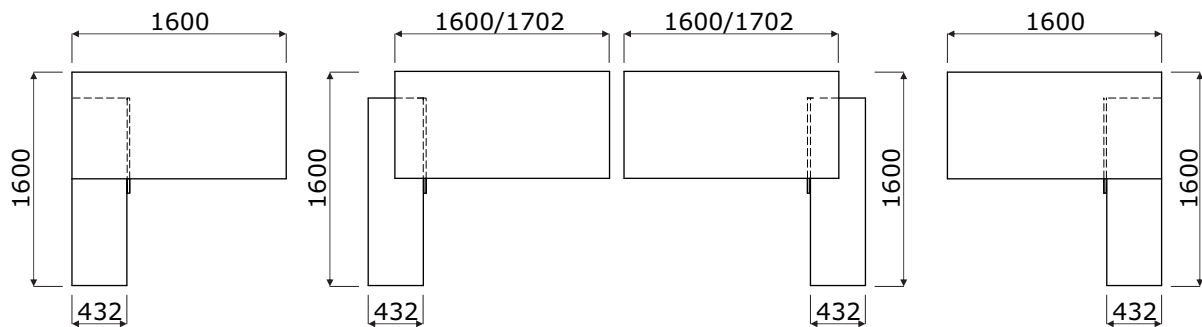
4. **Sliding front** - MFC 18 mm, ABS edge

5. **Shelf** - MFC 18 mm, protection against accidental falling-out, ABS edge

6. **Base** - MFC 18 mm, ABS edge

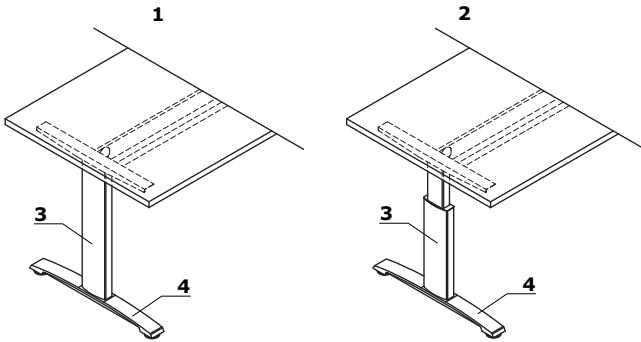
7. **Drawer** - MFC 18 mm, ABS edge, patent lock - possible to change location

## Configuration examples (mm)



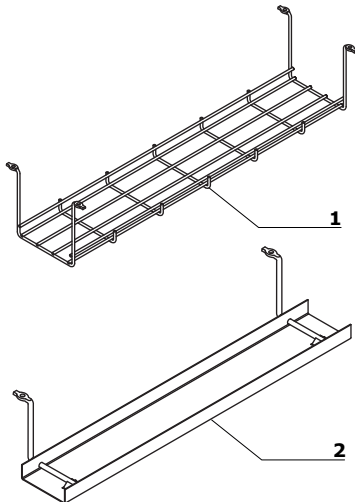
**Frame**

- 1. **Frame without height adjustment** - height 740 mm
- 2. **Frame with manual height adjustment** - in the range of 620-820 mm, every 20 mm
- 3. **Column** - vertical cable management, powder coated
- 4. **Foot** - powder coated; OPTION WITH EXTRA CHARGE - polished aluminum

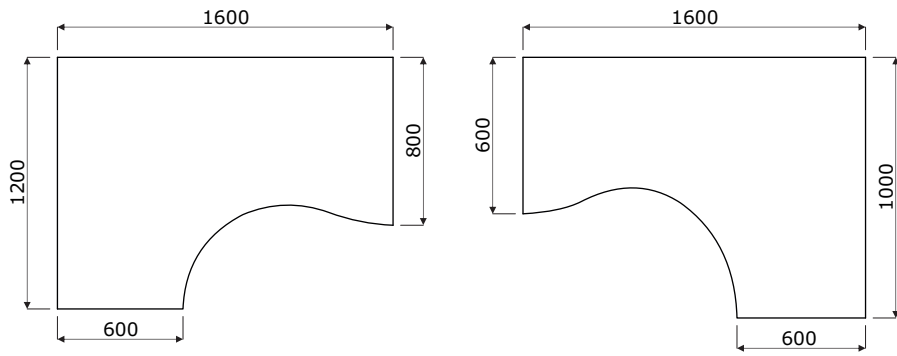


**Accessories**

- 1. **Horizontal cable tray S69** - powder coated, colour: 09 - aluminum
- 2. **Horizontal cable tray E64** - powder coated, colour: M009 - aluminium semi-matt



Dimensions of radial worktops (mm)



Desks \*



**BR01**  
800 / 800 / 740  
25.0 kg



**BR02**  
1200 / 800 / 740  
32.9 kg



**BR03**  
1400 / 800 / 740  
36.9 kg



**BR04**  
1600 / 800 / 740  
39.8 kg



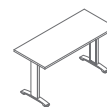
**BR05**  
1800 / 800 / 740  
44.6 kg



**BR61**  
800 / 600 / 740  
23.5 kg



**BR63**  
1200 / 600 / 740  
29.4 kg



**BR64**  
1400 / 600 / 740  
30.4kg



**BR65**  
1600 / 600 / 740  
32.5 kg

\* dimensions expressed in millimeters: width x depth x height

**Desks with manual height adjustment \***



**BR01R**  
800 / 800 / 740  
26.6 kg



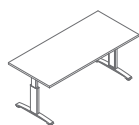
**BR02R**  
1200 / 800 / 740  
32.9 kg



**BR03R**  
1400 / 800 / 740  
36.9 kg



**BR04R**  
1600 / 800 / 740  
39.8 kg



**BR05R**  
1800 / 800 / 740  
44.6 kg



**BR61R**  
800 / 600 / 740  
23.5 kg



**BR63R**  
1200 / 600 / 740  
29.4 kg



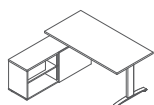
**BR64R**  
1400 / 600 / 740  
30.4kg



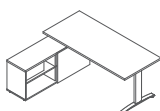
**BR65R**  
1600 / 600 / 740  
32.5 kg

www.mdd.eu

**Desks with managerial storage \***



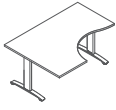
**BRL16**  
1600-1702 / 1600 / 740  
98.0 kg



**BRL18**  
1800-1902 / 1600 / 740  
101.5 kg

\* dimensions expressed in millimeters: width x depth x height

Radial desks \*



**BR10**  
1600 / 1200 / 740  
43.8 kg



**BR66**  
1600 / 1000 / 740  
39.8 kg



**BR11**  
1600 / 1200 / 740  
43.8 kg

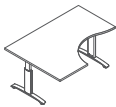


**BR67**  
1600 / 1000 / 740  
37.6 kg

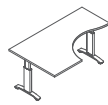


**BR19**  
1700 / 888 / 740  
39.8 kg

Radial desks with manual height adjustment \*



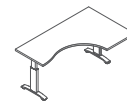
**BR10R**  
1600 / 1200 / 740  
43.8 kg



**BR66R**  
1600 / 1000 / 740  
39.8 kg



**BR11R**  
1600 / 1200 / 740  
43.8 kg



**BR67R**  
1600 / 1000 / 740  
37.6 kg



**BR19R**  
1700 / 888 / 740  
39.8 kg

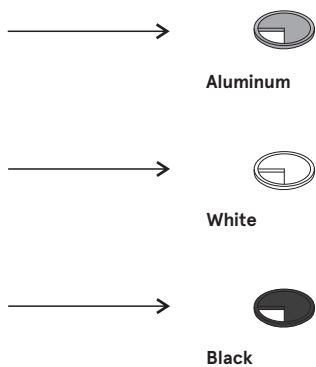
\* dimensions expressed in millimeters: width x depth x height



Worktop, top, base, body, front



Grommet



Frame - metal



Foot



\* body - II group  
 \*\* OPTIONS WITH EXTRA CHARGE - foot