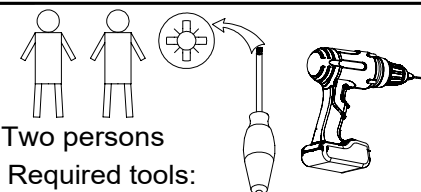
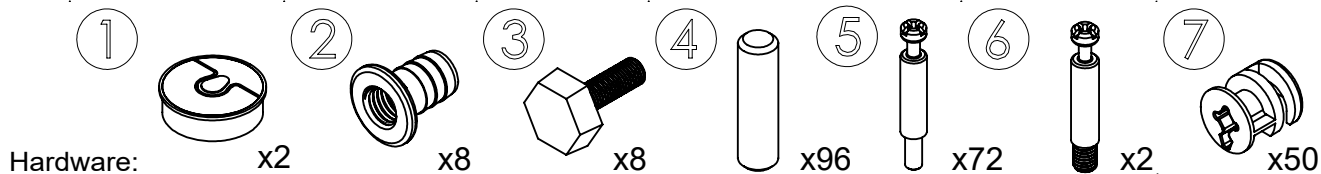


M60EC003

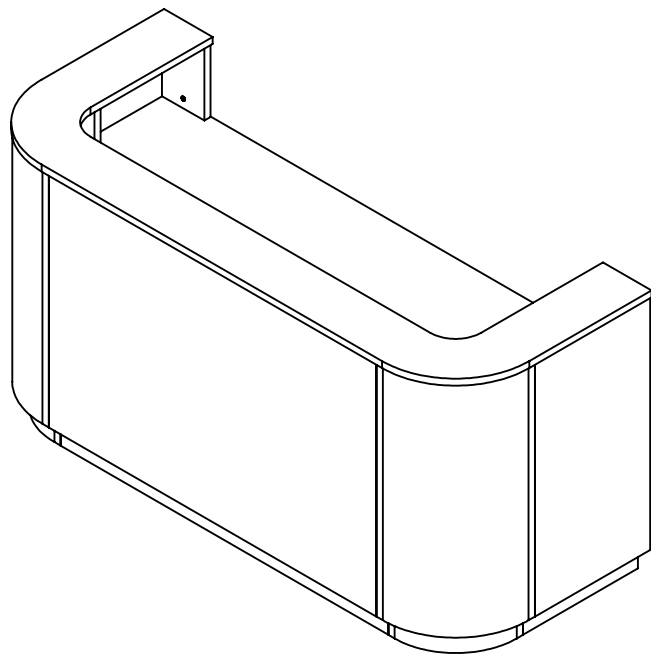
1 / 5



Assembling scheme

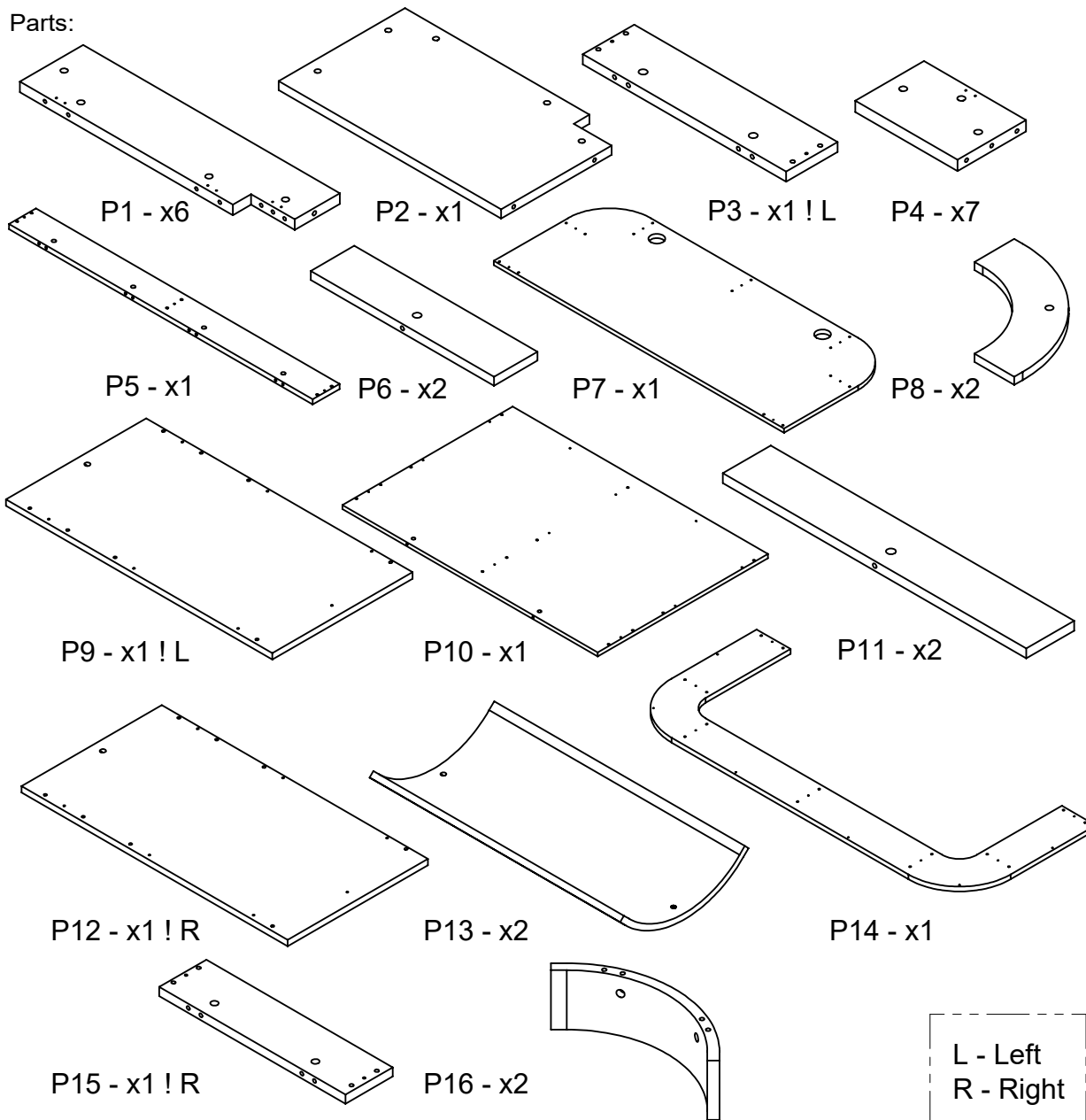


Product:



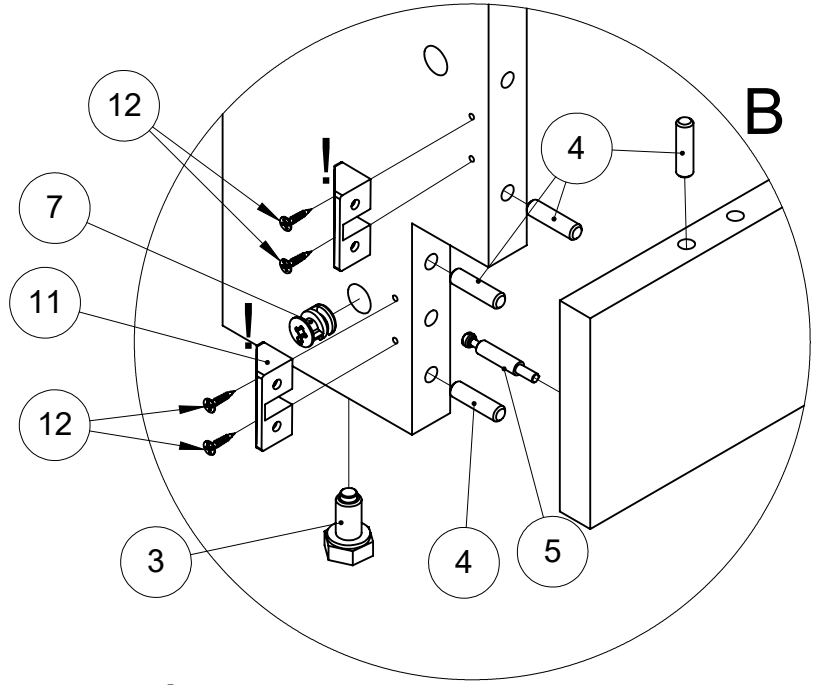
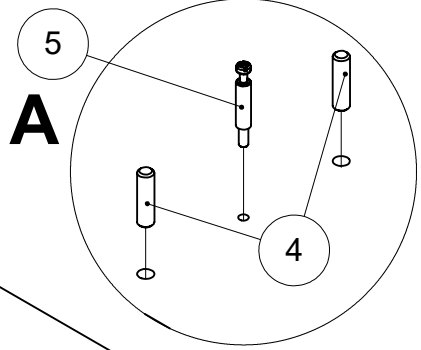
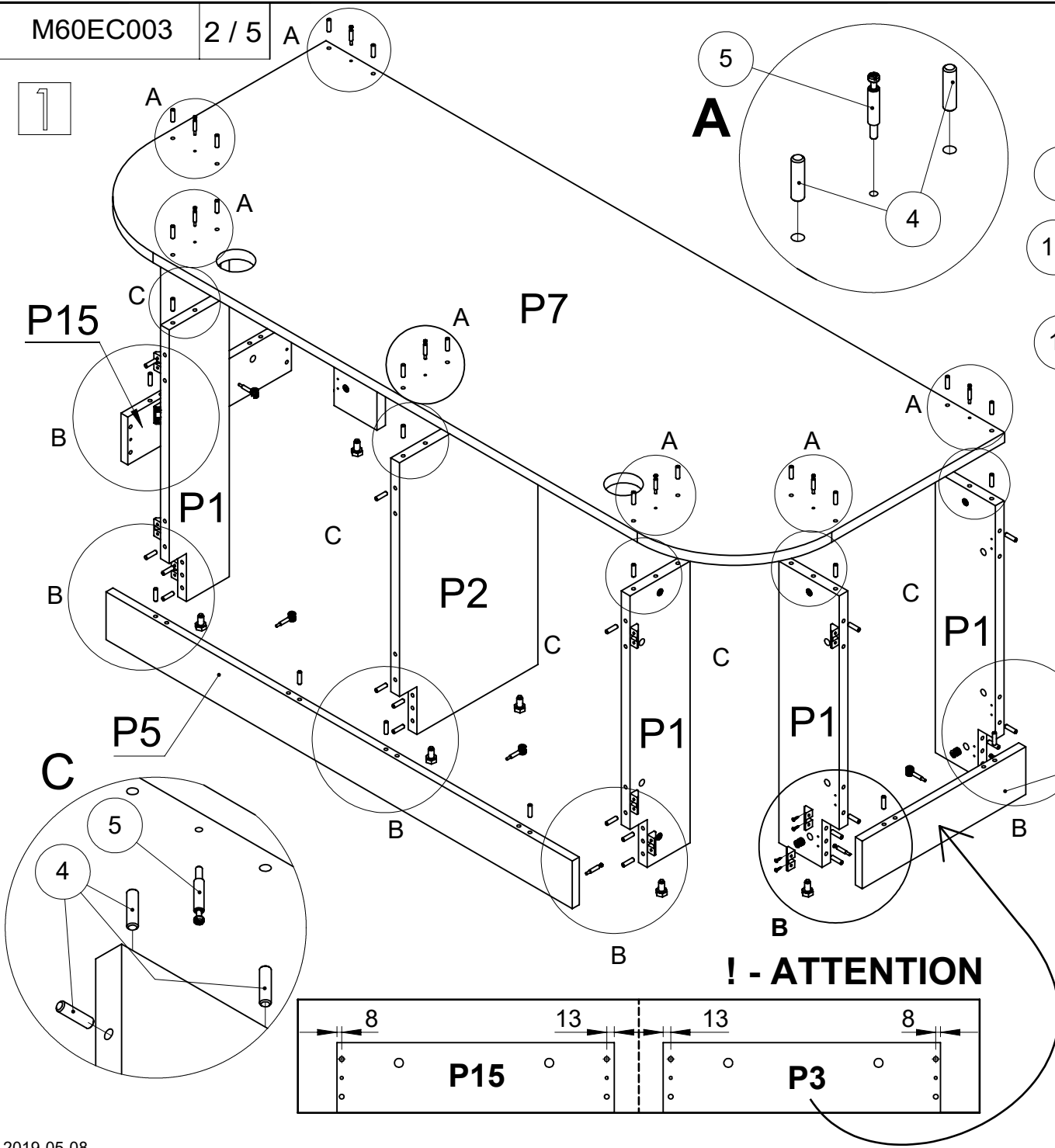
COSY

Parts:

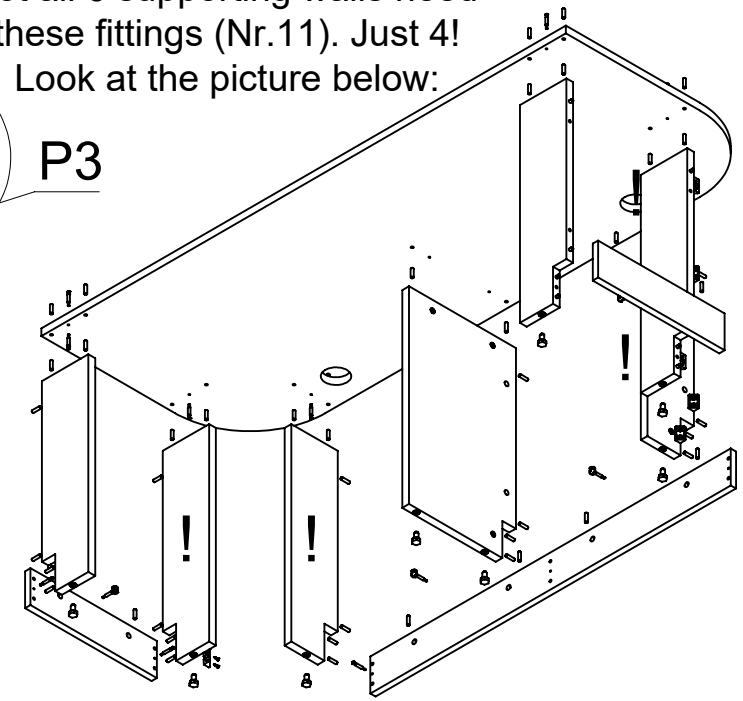


L - Left
R - Right

1

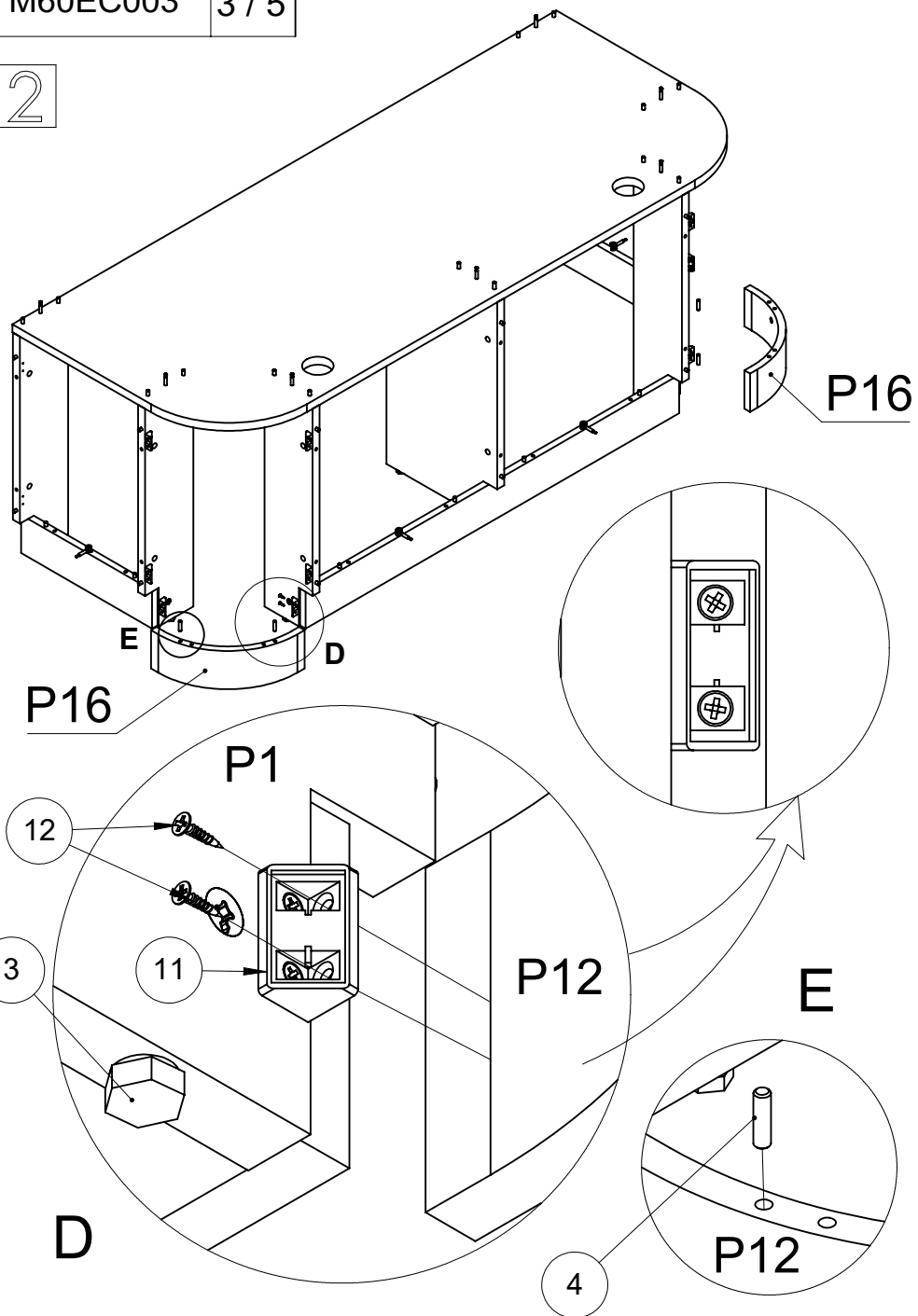


! - ATTENTION.
 not all 6 supporting walls need
 these fittings (Nr.11). Just 4!
 Look at the picture below:

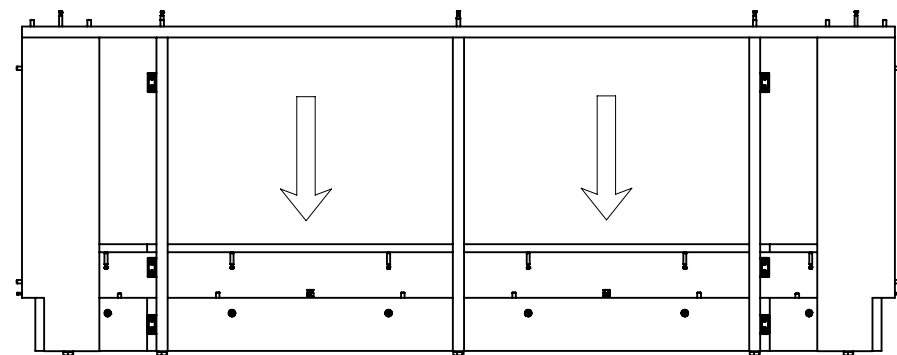


! - ATTENTION

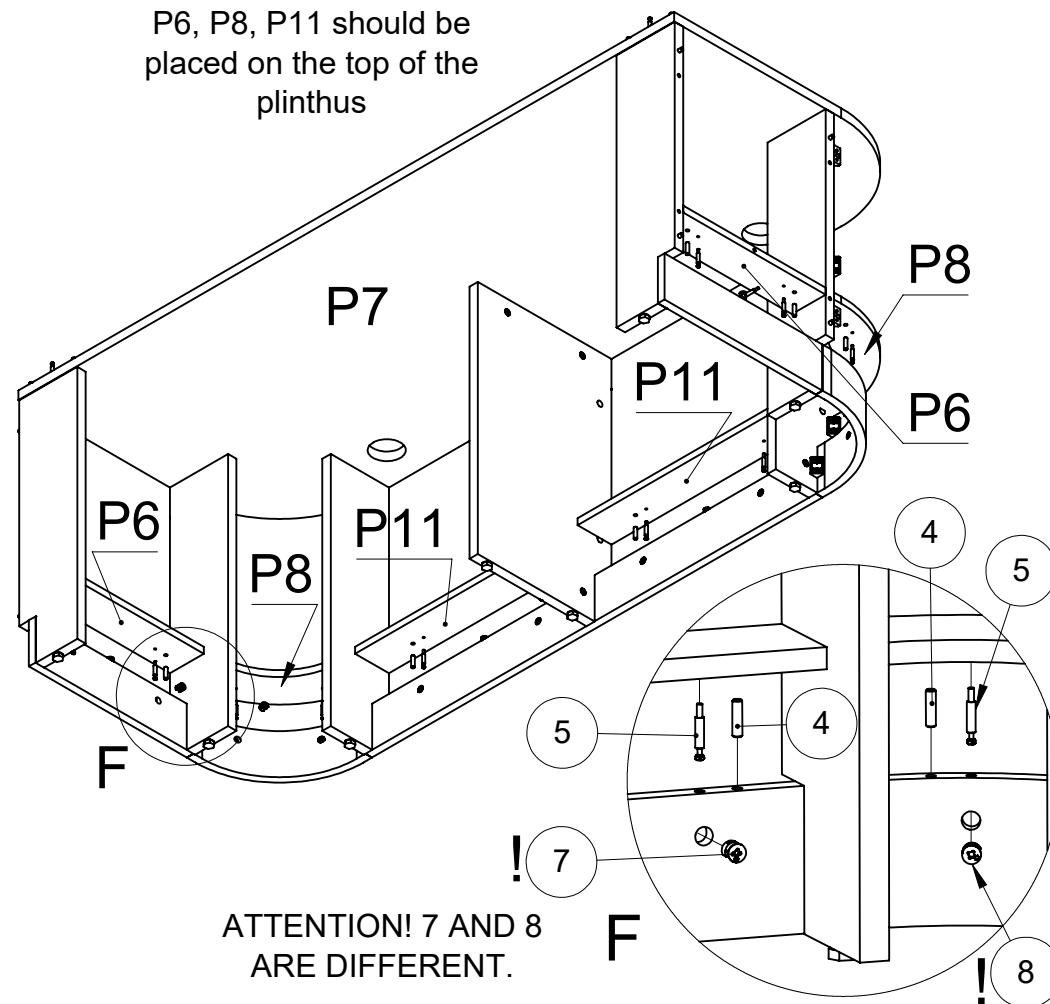
2



3

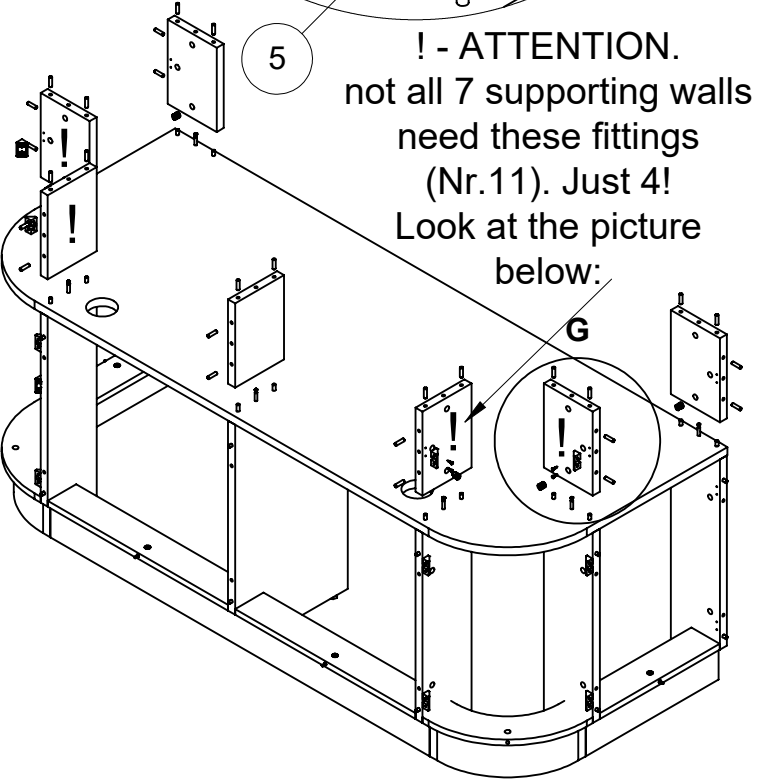
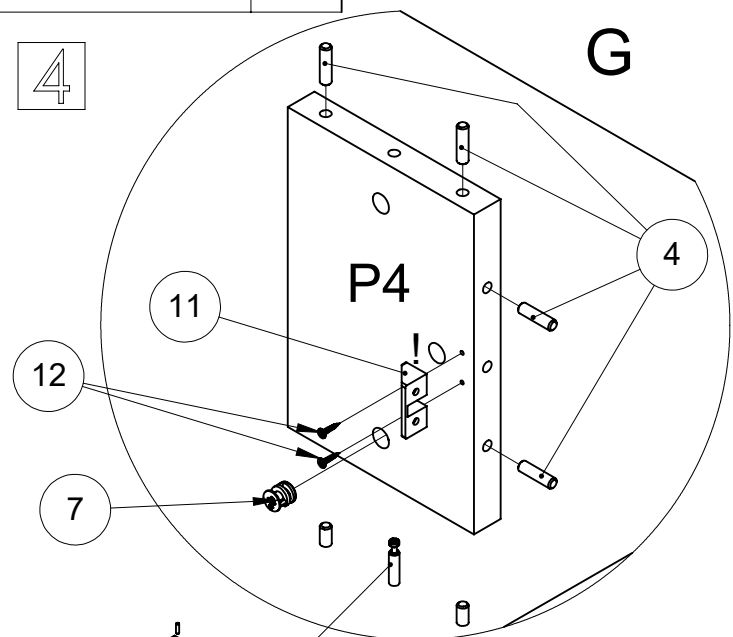


P6, P8, P11 should be placed on the top of the plinthus



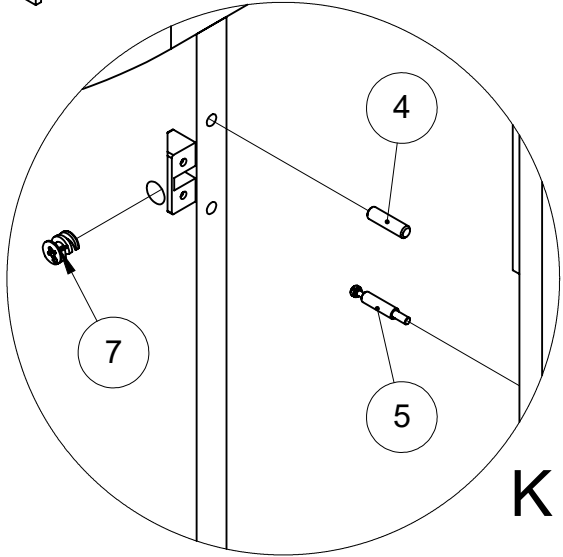
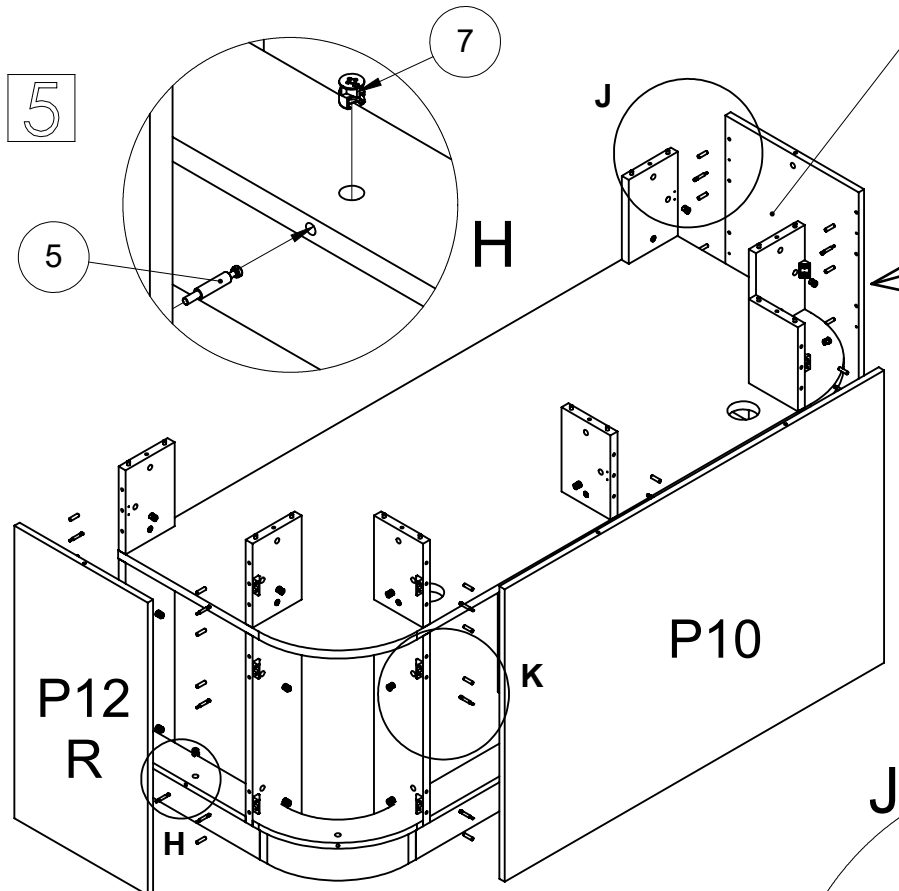
ATTENTION! 7 AND 8 ARE DIFFERENT.

4

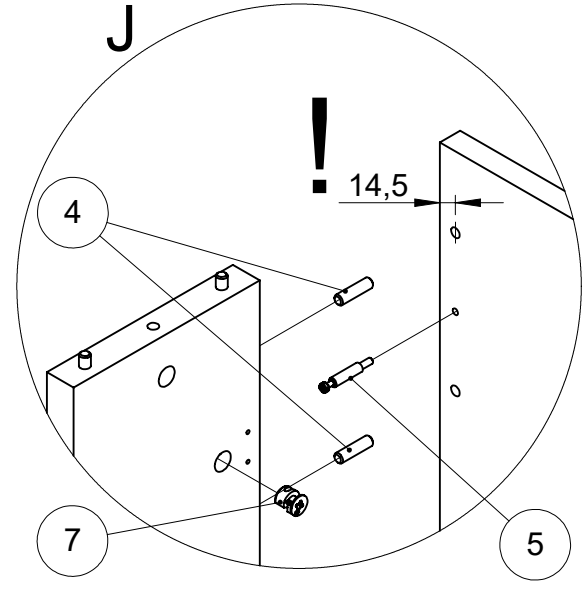
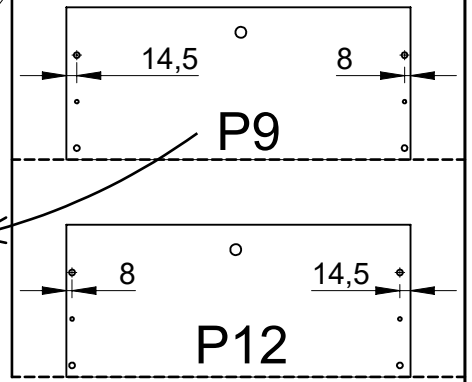


! - ATTENTION.
 not all 7 supporting walls
 need these fittings
 (Nr.11). Just 4!
 Look at the picture
 below:

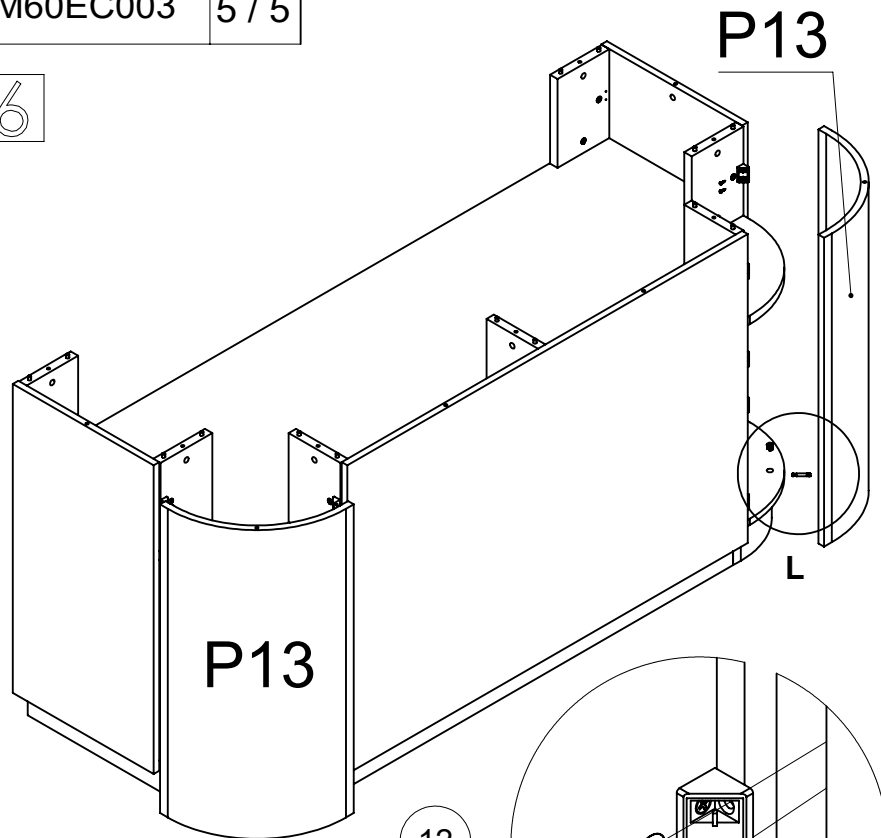
5



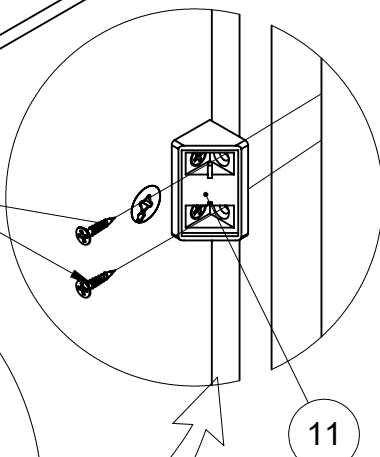
P9 L: ! - ATTENTION



6

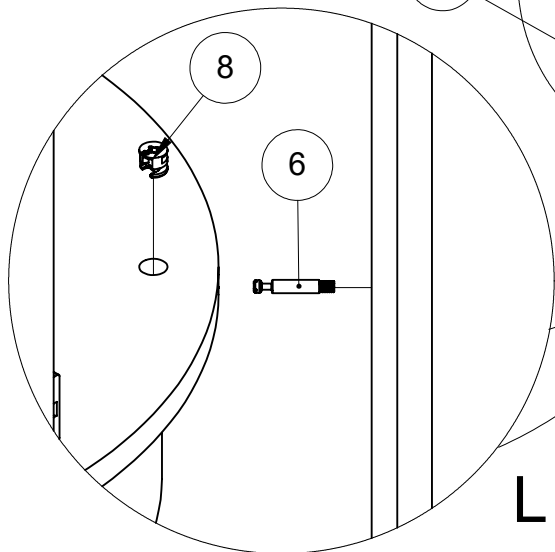


12



P13

11

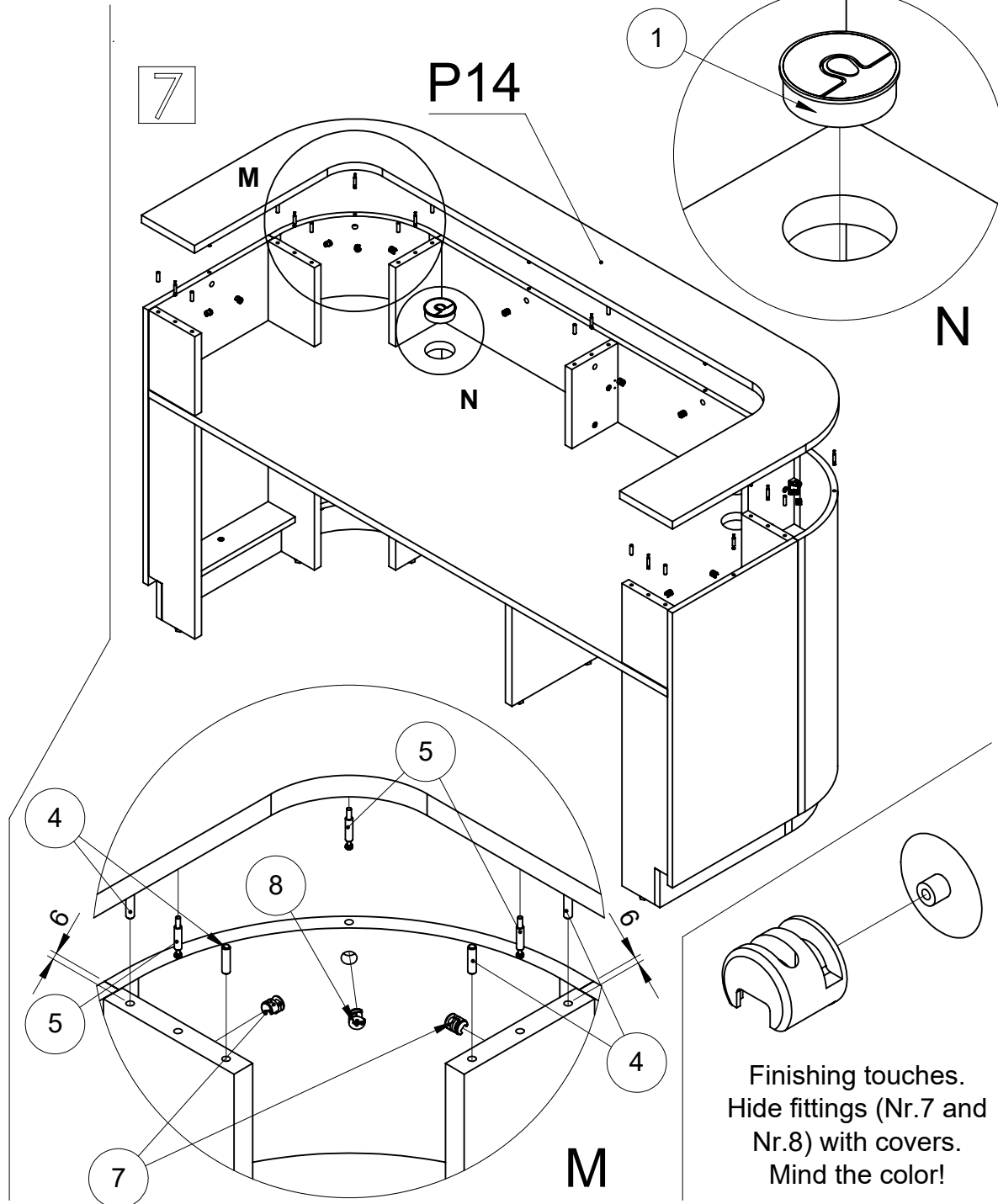


8

6

L

7



P14

1

N

4

8

5

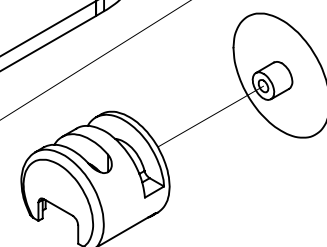
5

6

7

4

M



Finishing touches.
Hide fittings (Nr.7 and
Nr.8) with covers.
Mind the color!