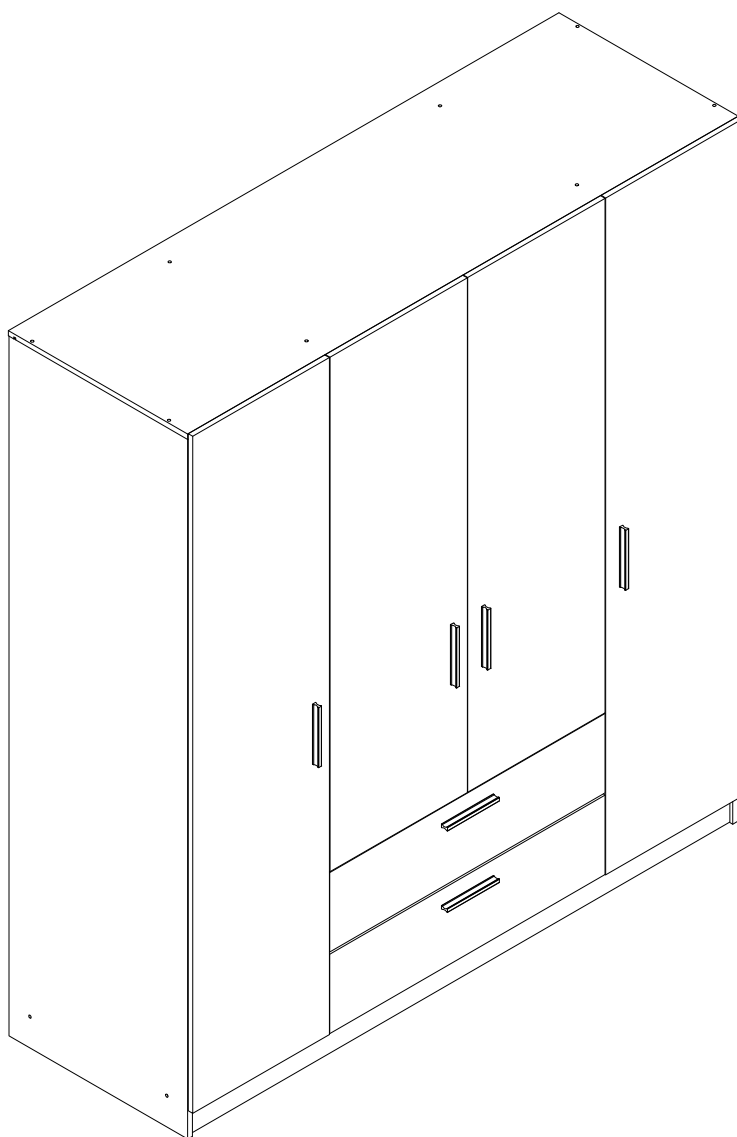


Lyon Matte 4-Door Wardrobe w/2-Drawer Storage





ATTENTION: Is your product damaged or missing assembly instructions?

DO NOT RETURN!!!PLEASE READ THE FOLLOWING!!!

For Replacement / Missing Parts: www.modarte.com/parts

For Assembly Instructions and Assembly Videos:<https://modarte.com/assembly/>

All other enquiries, please send email to: operations@modarte.com or 973-264-1228

IF YOU ARE MISSING PARTS, OR PARTS ARRIVED DAMAGED:

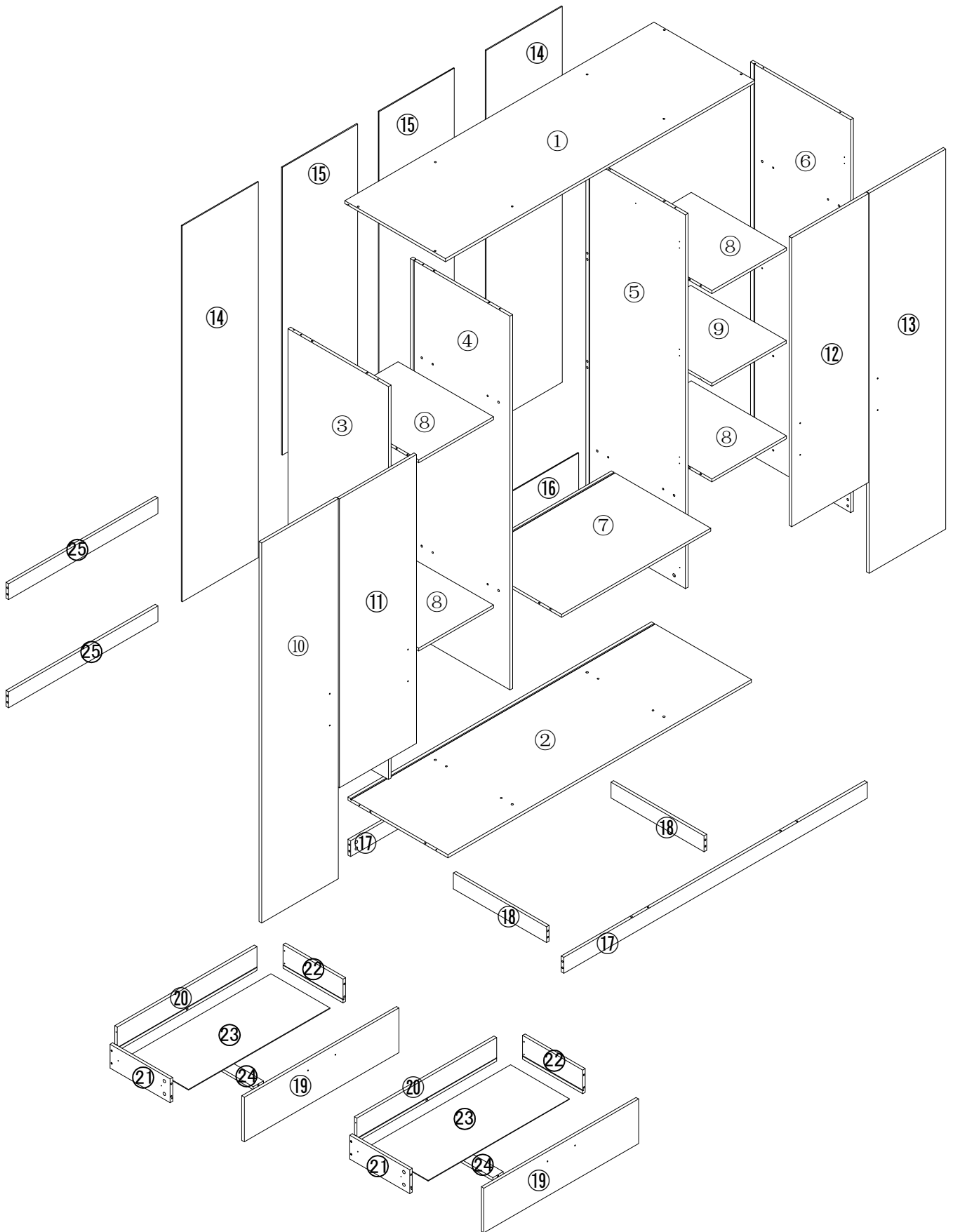
For fastest service, please contact us and we will mail you replacements parts the next business day. To request replacement parts, please fill out a parts request form on our website at www.modarte.com/parts, or email us at operations@modarte.com. DO NOT RETURN TO THE RETAILER.

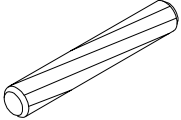
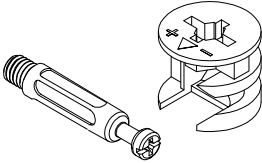

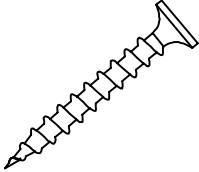
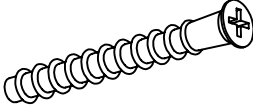
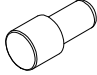
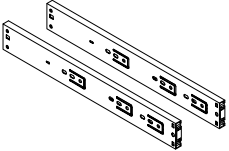
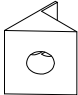
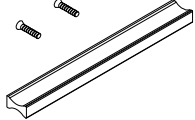

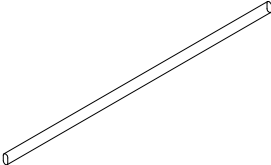
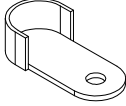
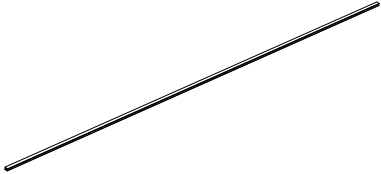
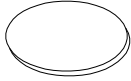
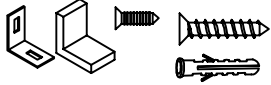
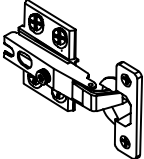
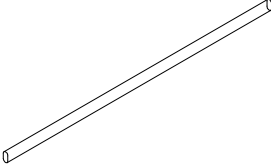
CUSTOMER CARE

For any other customer service enquiries, please feel free to reach out to us:

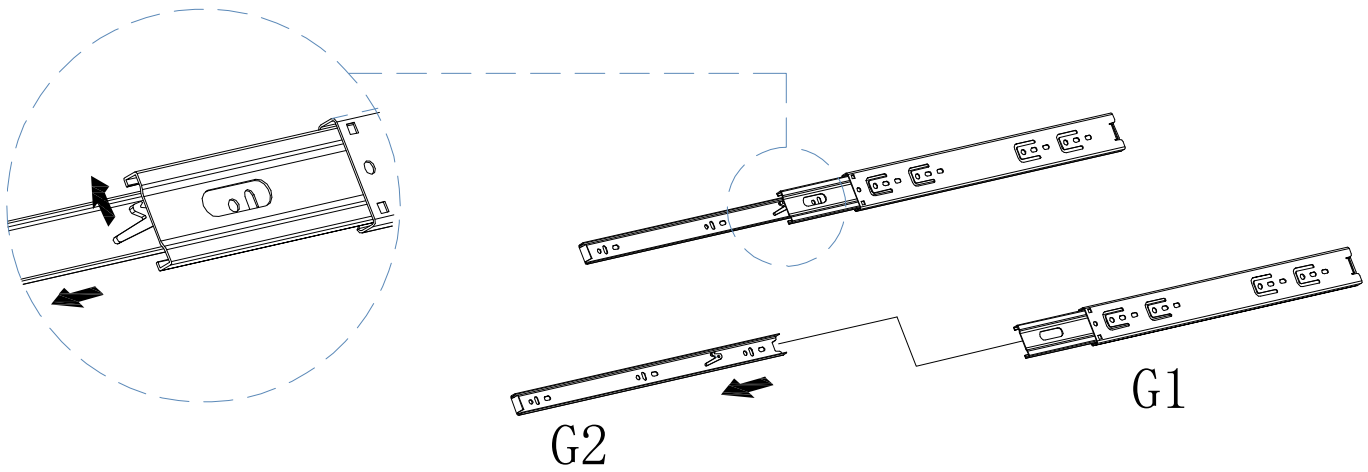
operations@modarte.com or 973-264-1228

Thank You!



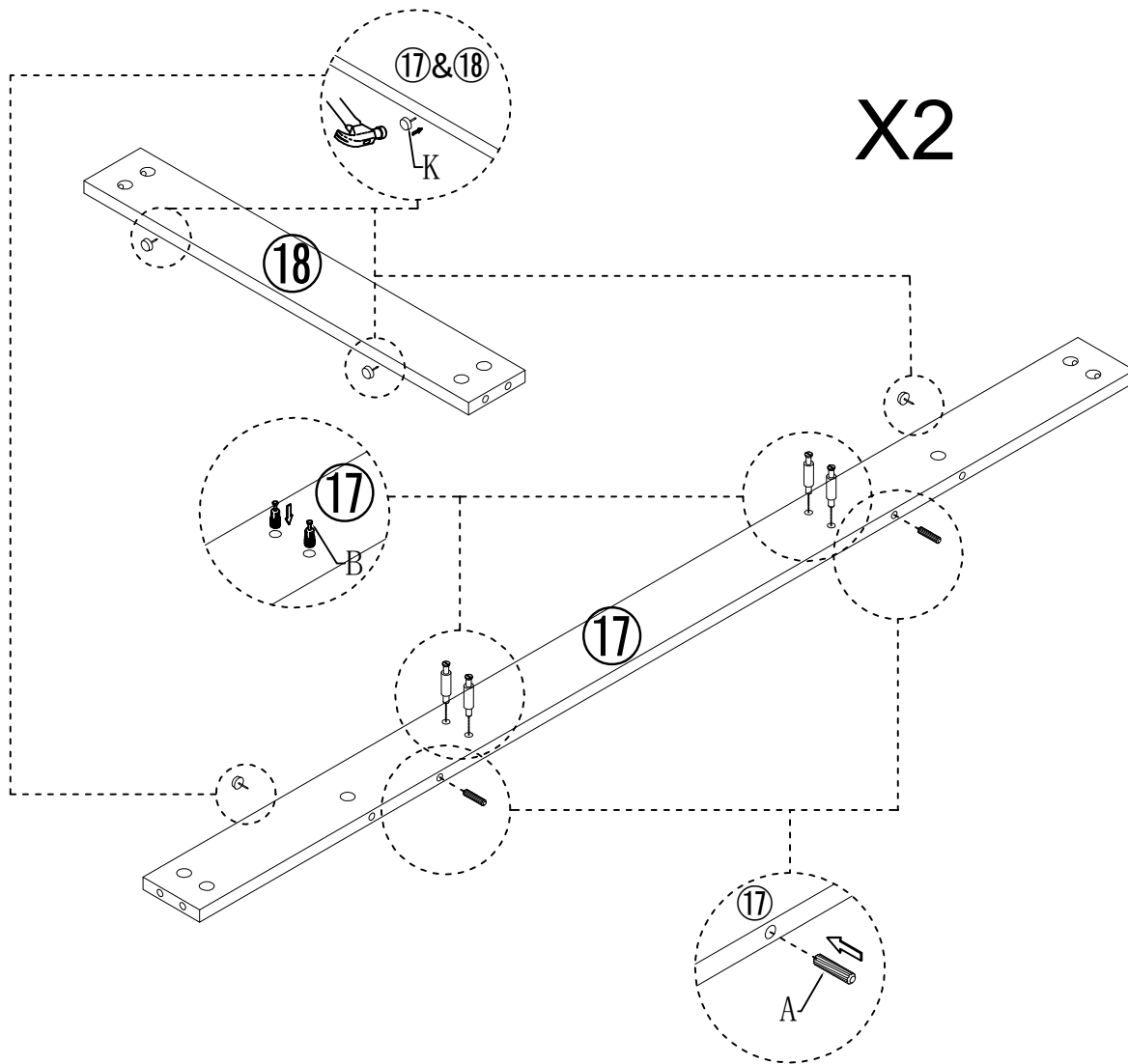
<p>A</p>  <p>$\Phi 8 \times 40 \text{MM}$ 41 pcs</p>	<p>B</p>  <p>65 pcs</p>	<p>C</p>  <p>$\Phi 3.5 \times 14 \text{MM}$ 142 pcs</p>
<p>D</p>  <p>$\Phi 3 \times 35 \text{MM}$ 8 pcs</p>	<p>E</p>  <p>$\Phi 7 \times 50 \text{MM}$ 12 pcs</p>	<p>F</p>  <p>4 pcs</p>
<p>G</p>  <p>2 pcs</p>	<p>H</p>  <p>32 pcs</p>	<p>J</p>  <p>6 pcs</p>
<p>K</p>  <p>8 pcs</p>	<p>L</p>  <p>1 pcs</p>	<p>M</p>  <p>4 pcs</p>
<p>N</p>  <p>1 pcs</p>	<p>O</p>  <p>76 pcs</p>	<p>W</p>  <p>3 pcs</p>
<p>V</p>  <p>14 pcs</p>	<p>P</p>  <p>1 pcs</p>	

The using of drawer slide showing as below:



Advice 3 adult persons assemble this product!

STEP 1



No.A
Quantity:4Pcs
Dowel



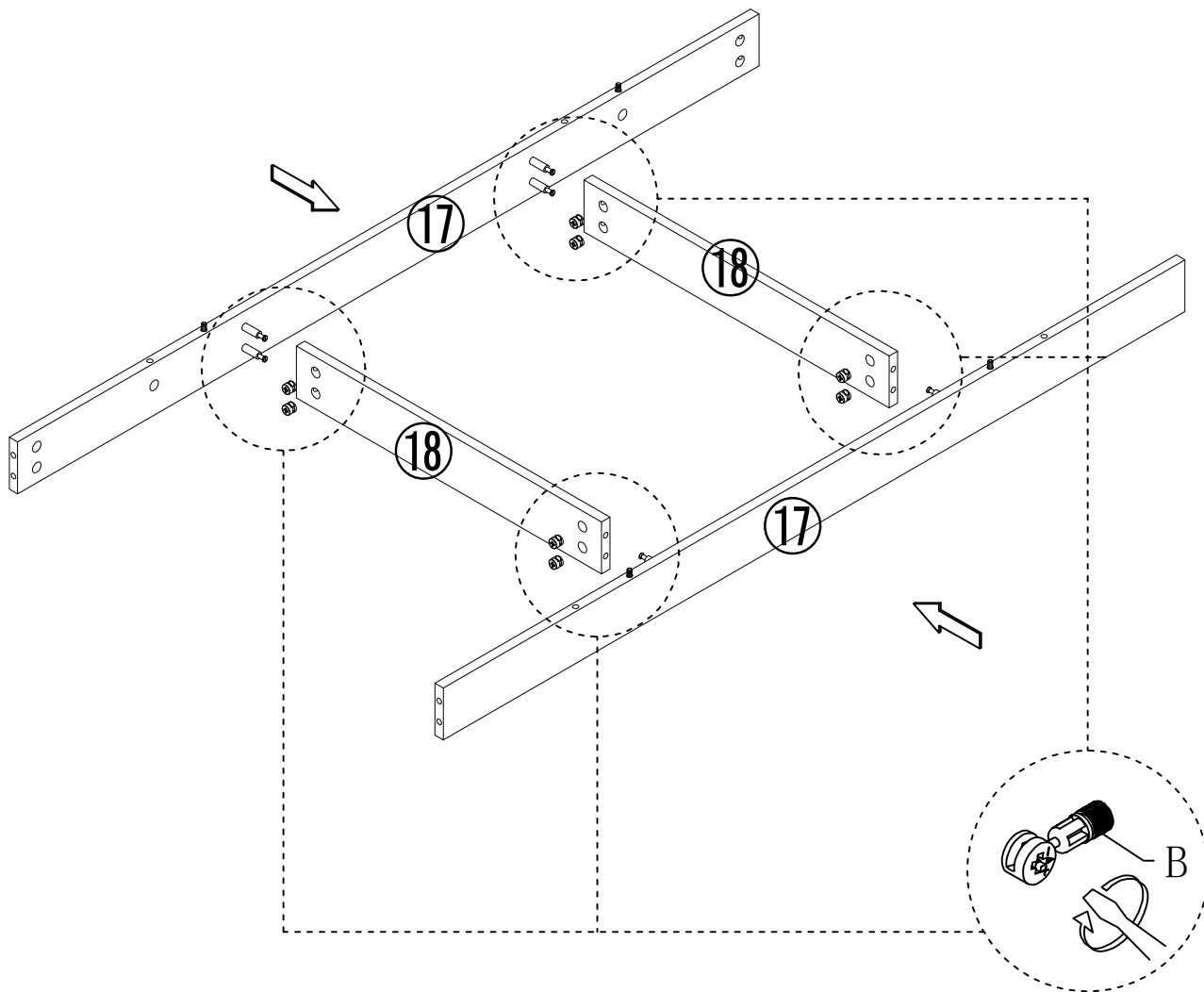
No.B
Quantity:8Pcs
Cam Bolt



No.K
Quantity:8Pcs
Ground Nail



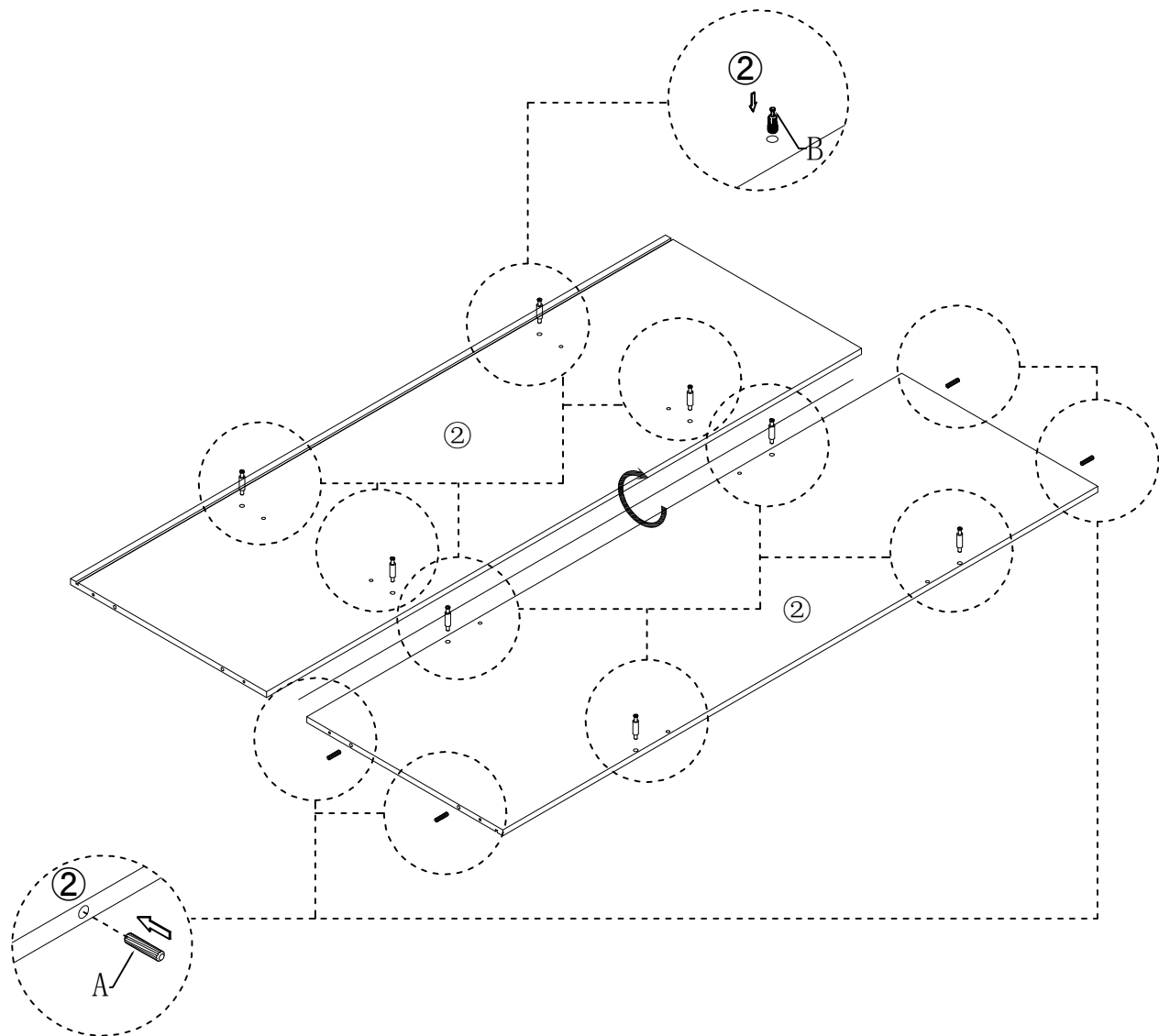
STEP 2



No.B
Quantity:8Pcs
Cam Nut



STEP 3



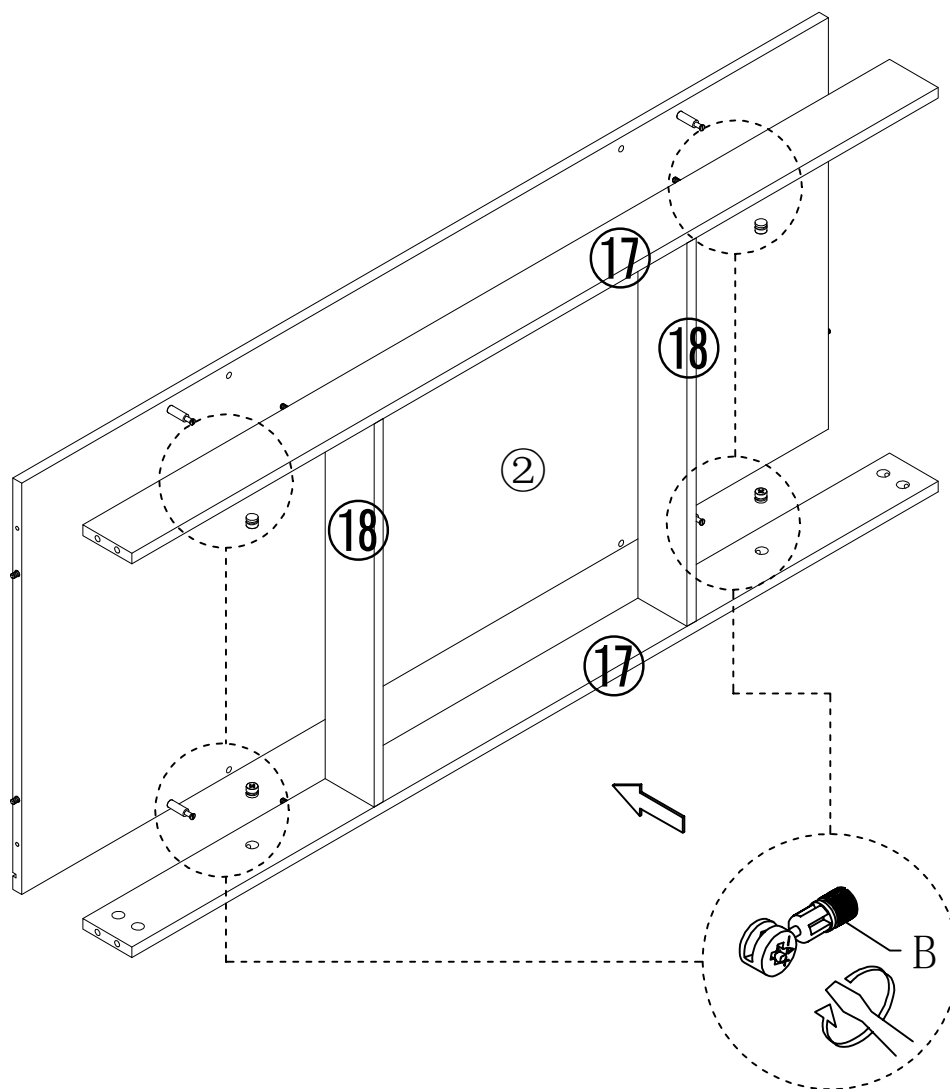
No.A
Quantity:4Pcs
Dowel



No.B
Quantity:8Pcs
Cam Bolt



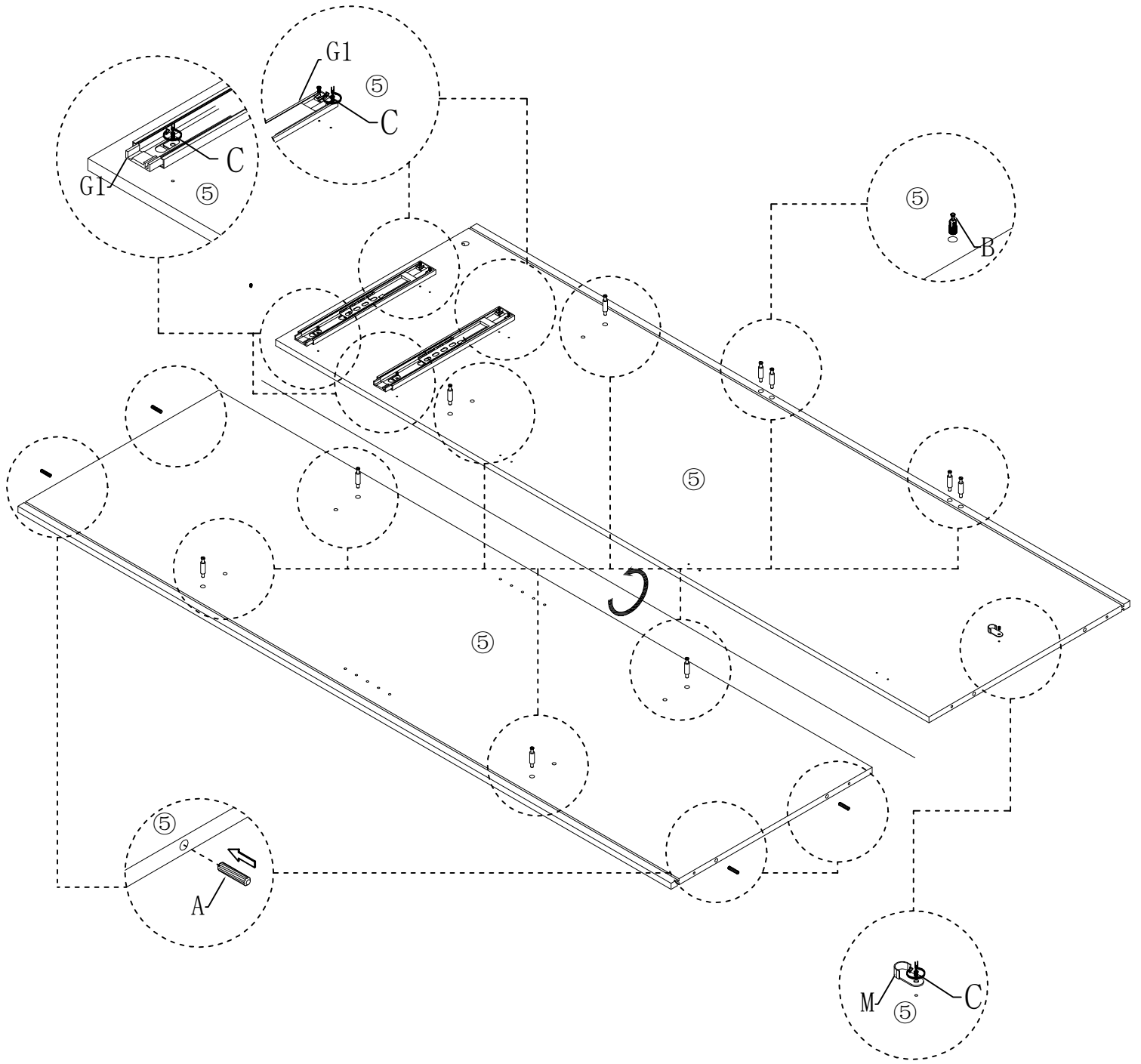
STEP 4



No.B
Quantity:4Pcs
Cam Nut



STEP 5



No.A
Quantity:4Pcs
Dowel



No.B
Quantity:10Pcs
Cam Bolt



No.C
Quantity:7Pcs
Screw M3.5*14mm



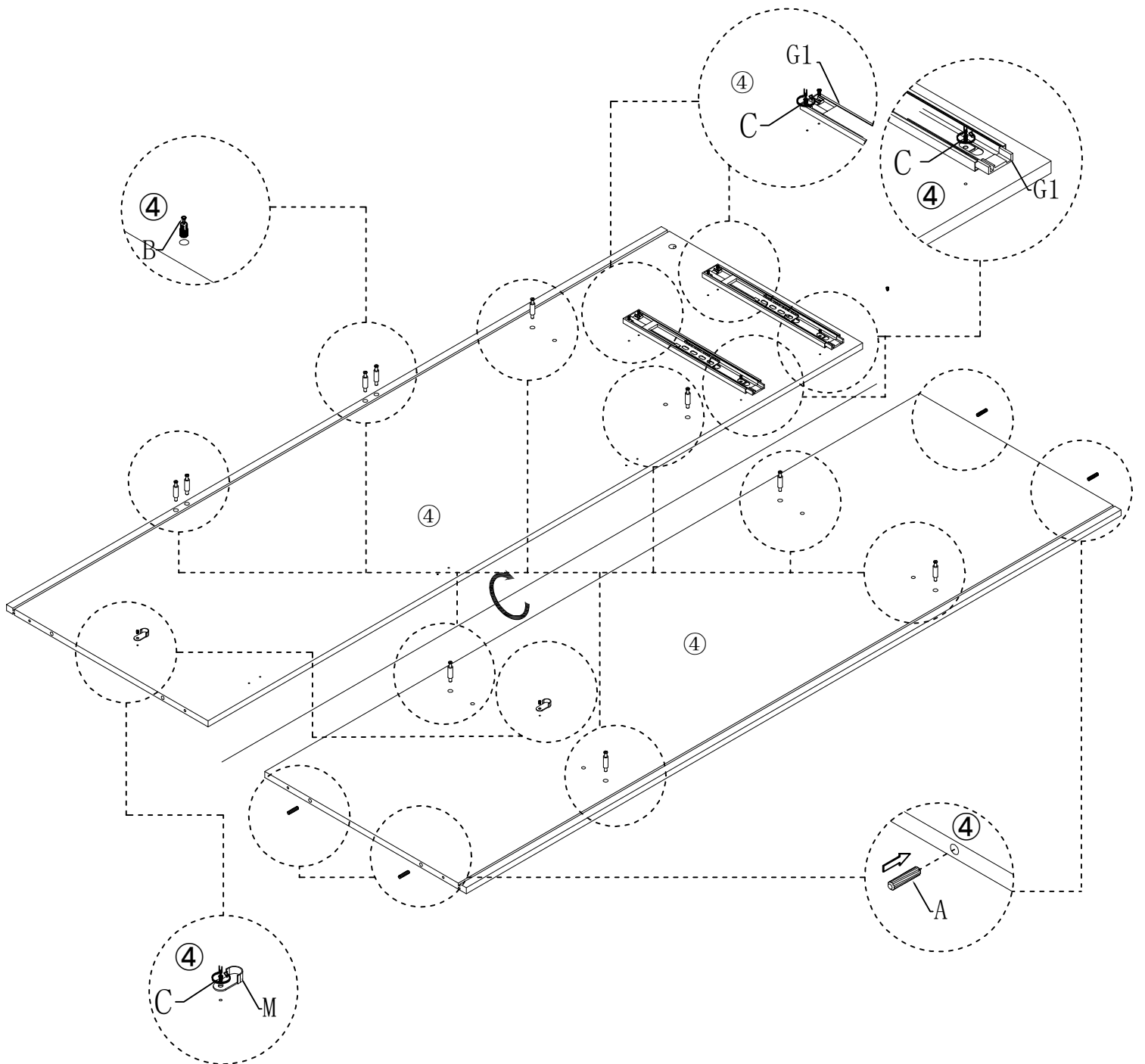
No.G1
Quantity:2Pcs
Drawer Runner



No.M
Quantity:1Pcs
Cam Bolt



STEP 6



No.A
Quantity:4Pcs
Dowel



No.B
Quantity:10Pcs
Cam Bolt



No.C
Quantity:8Pcs
Screw M3.5*14mm



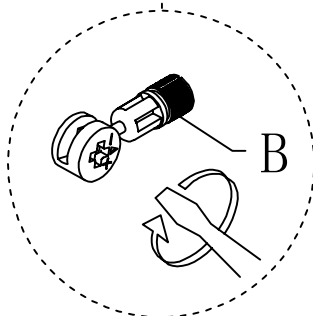
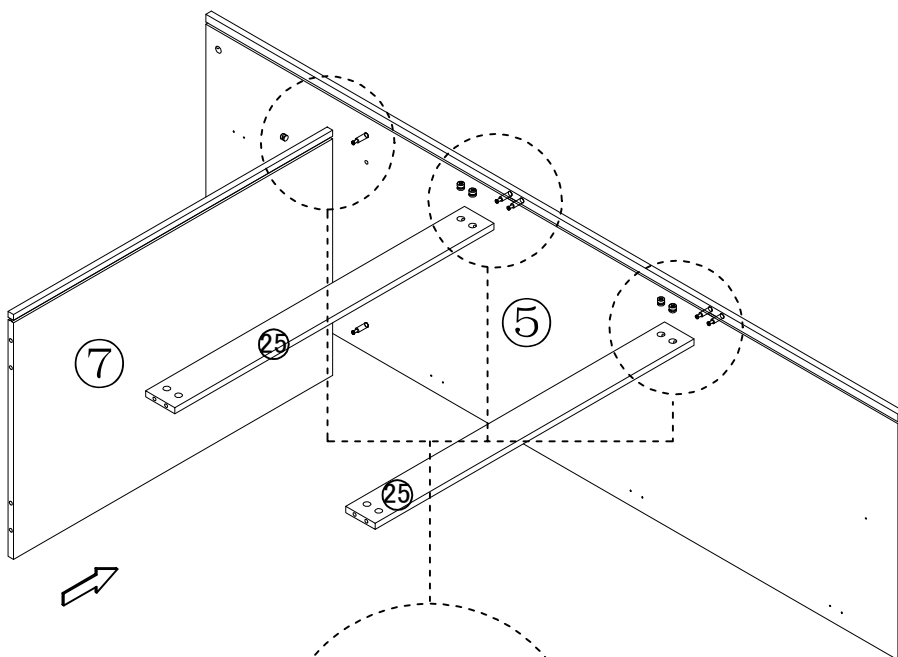
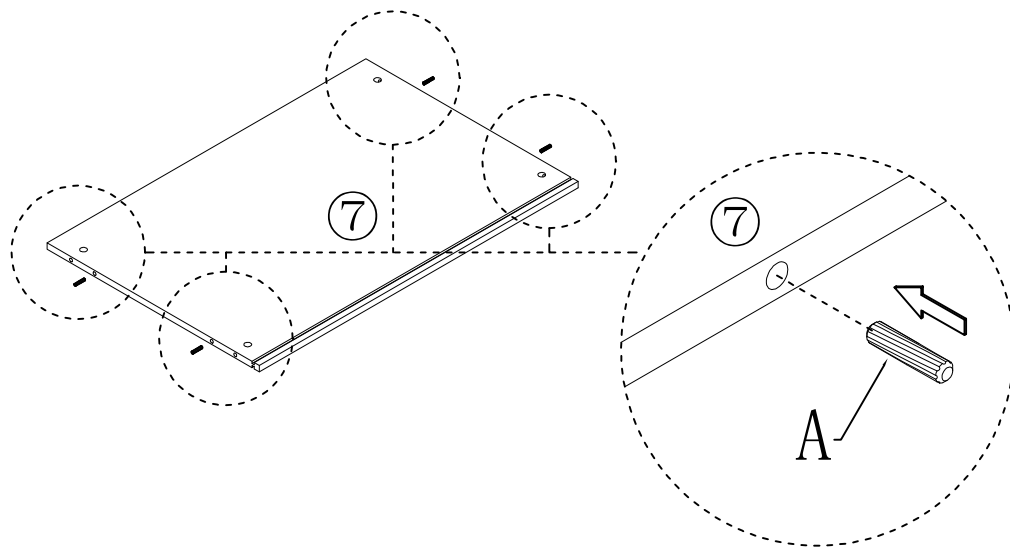
No.G1
Quantity:2Pcs
Drawer Runner



No.M
Quantity:2Pcs
Cam Bolt



STEP 7



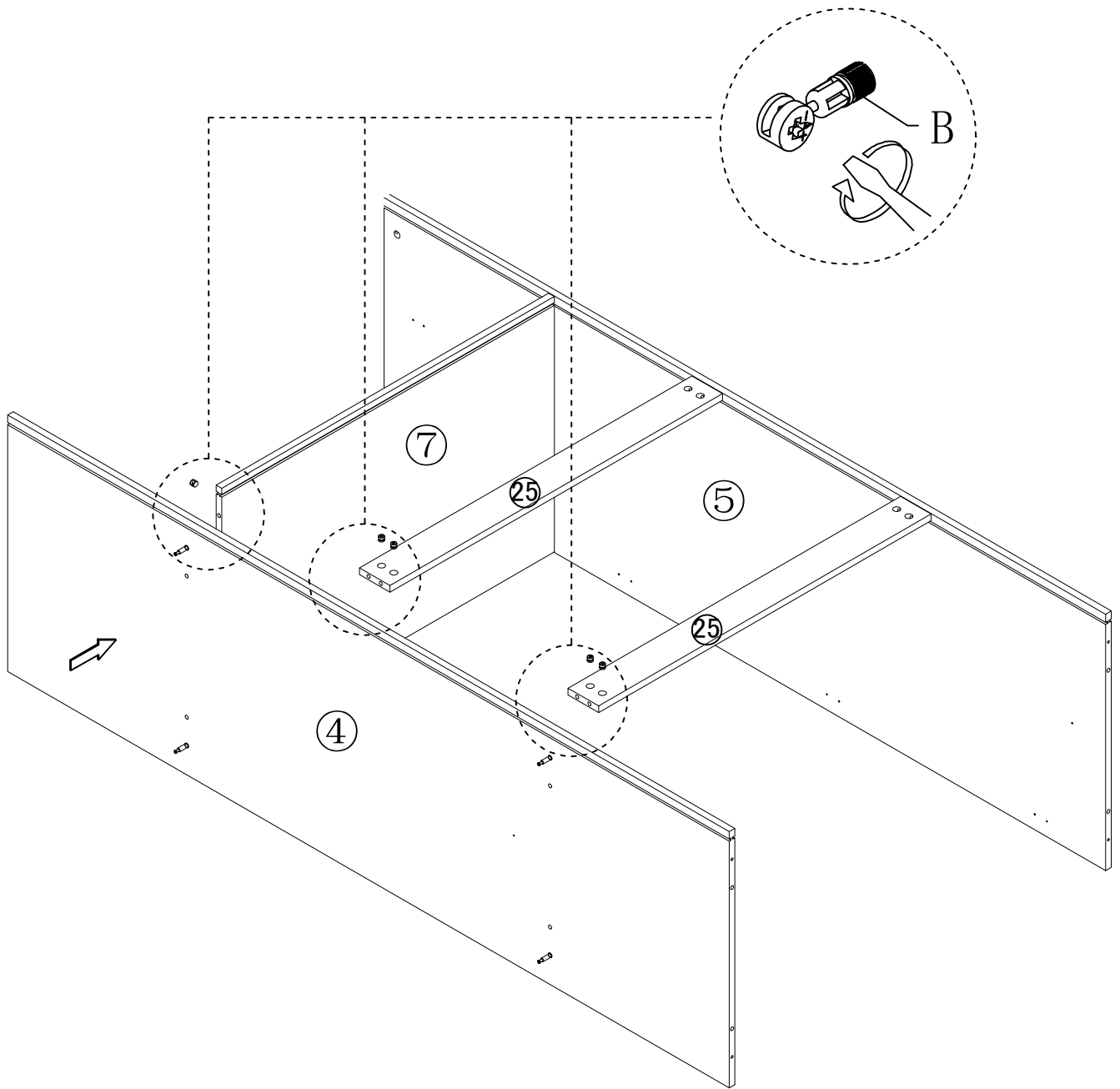
No.A
Quantity:4Pcs
Dowel



No.B
Quantity:6Pcs
Cam Nut



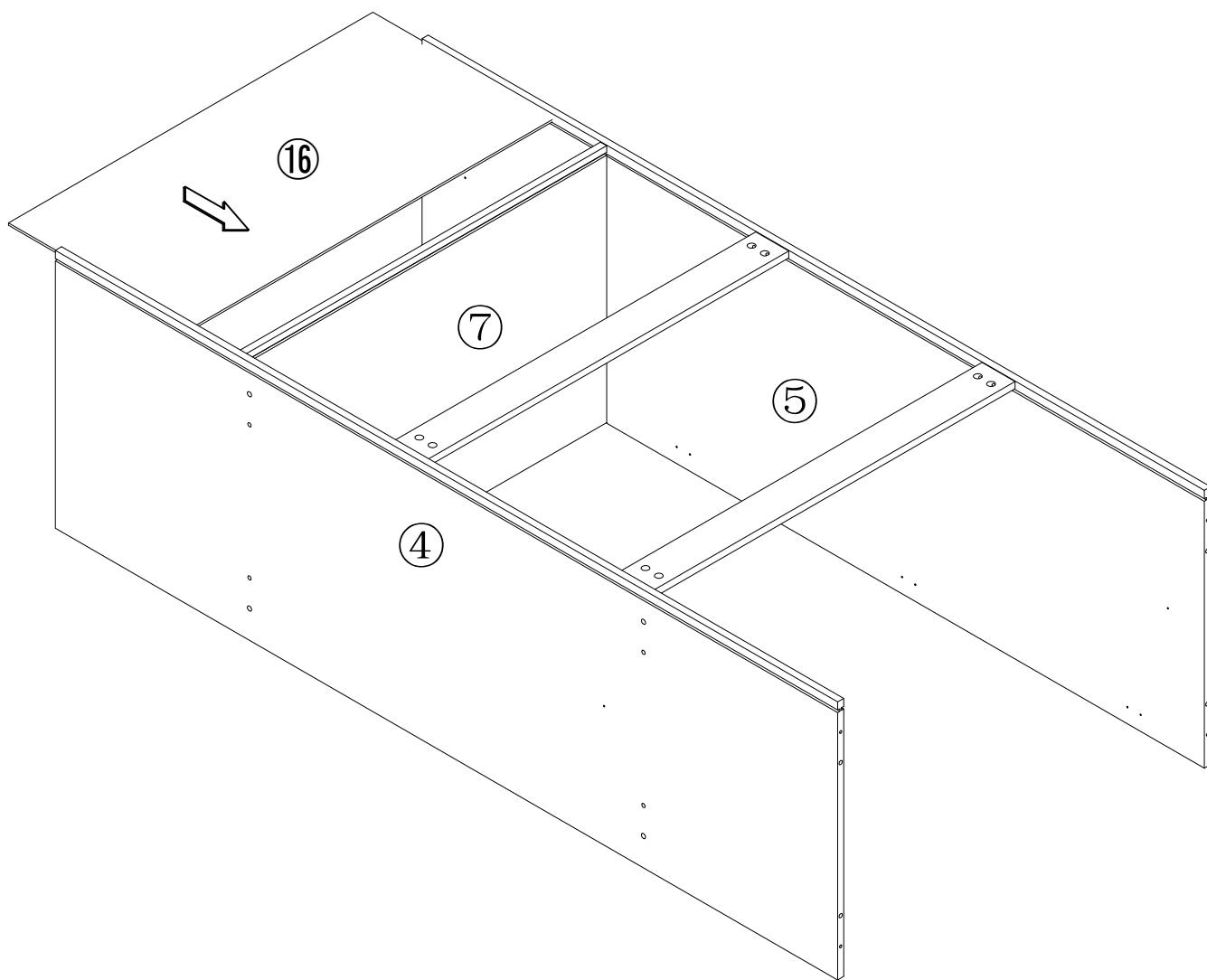
STEP 8



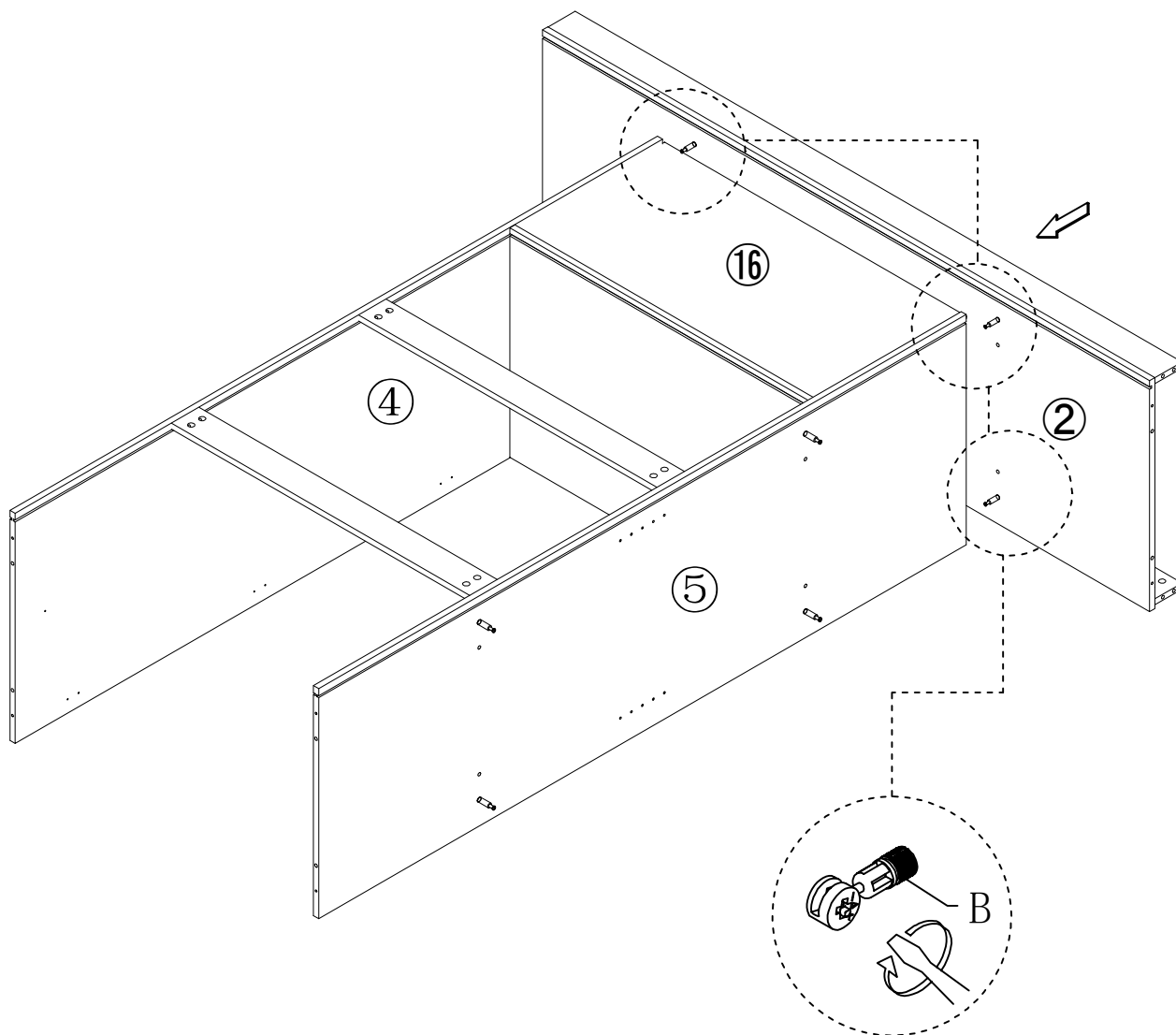
No.B
Quantity:6Pcs
Cam Nut



STEP 9



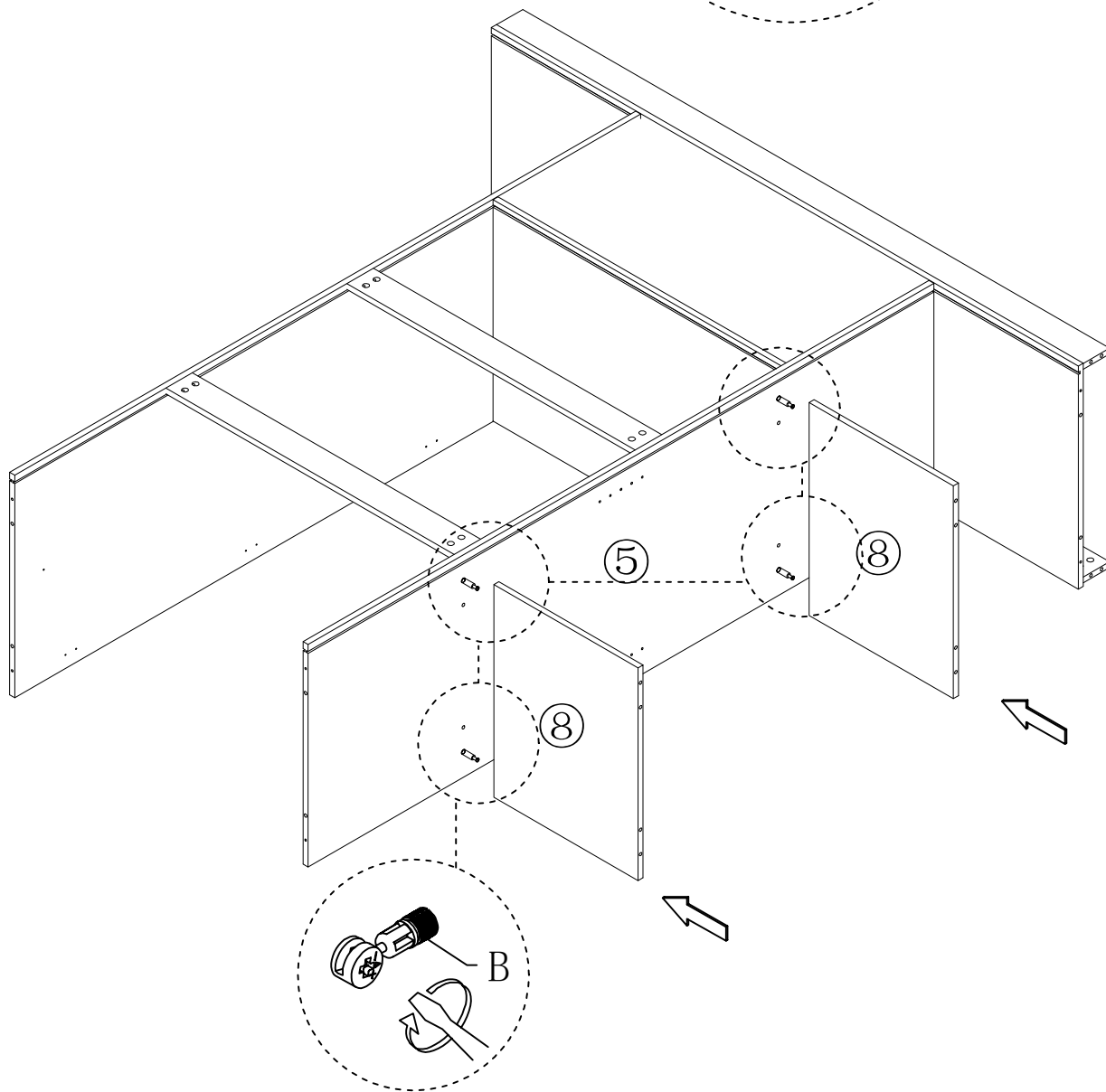
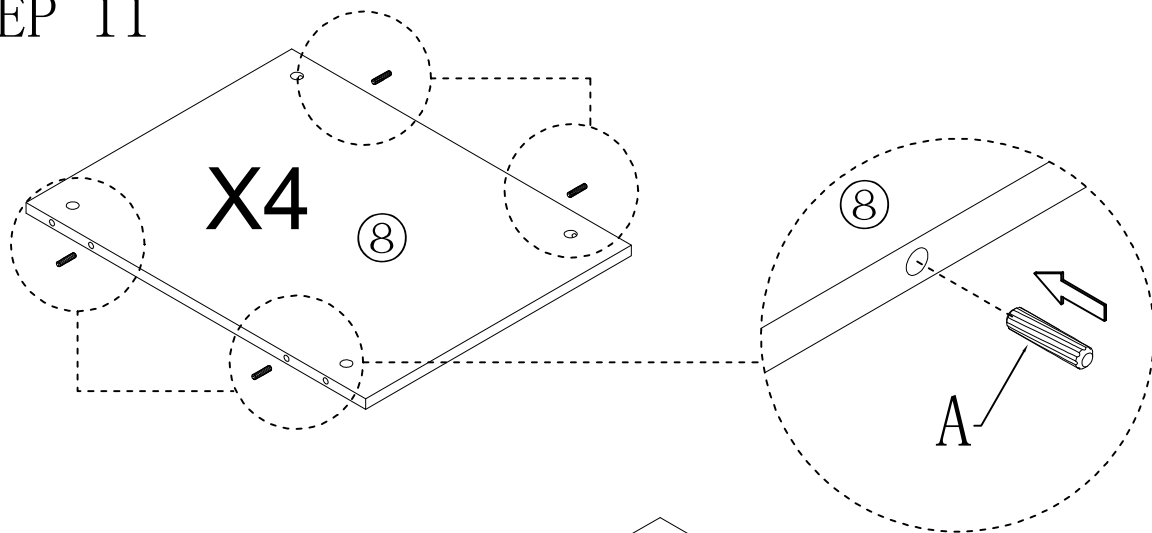
STEP 10



No.B
Quantity:4Pcs
Cam Nut



STEP 11



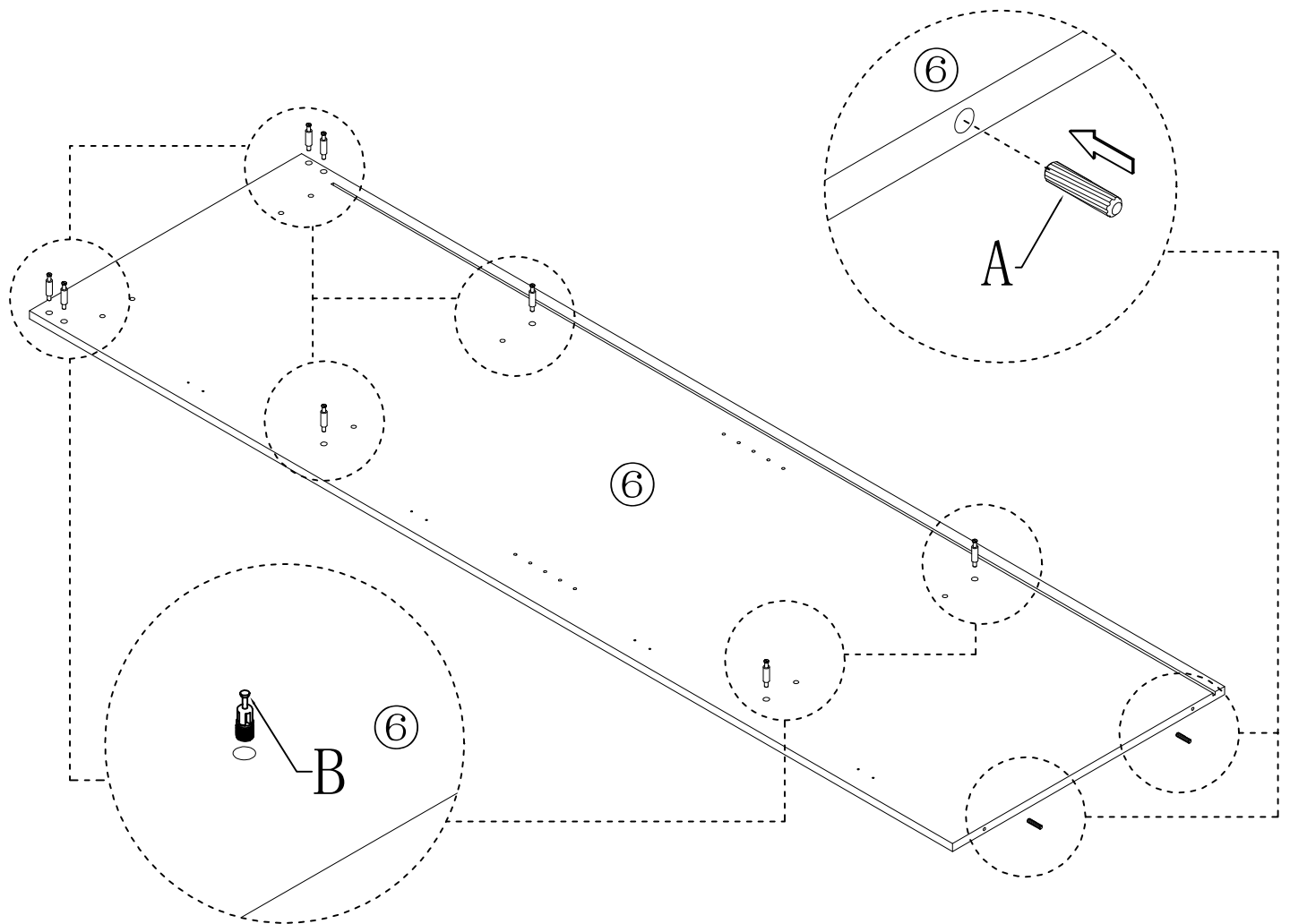
No.A
Quantity:16Pcs
Dowel



No.B
Quantity:4Pcs
Cam Nut



STEP 12



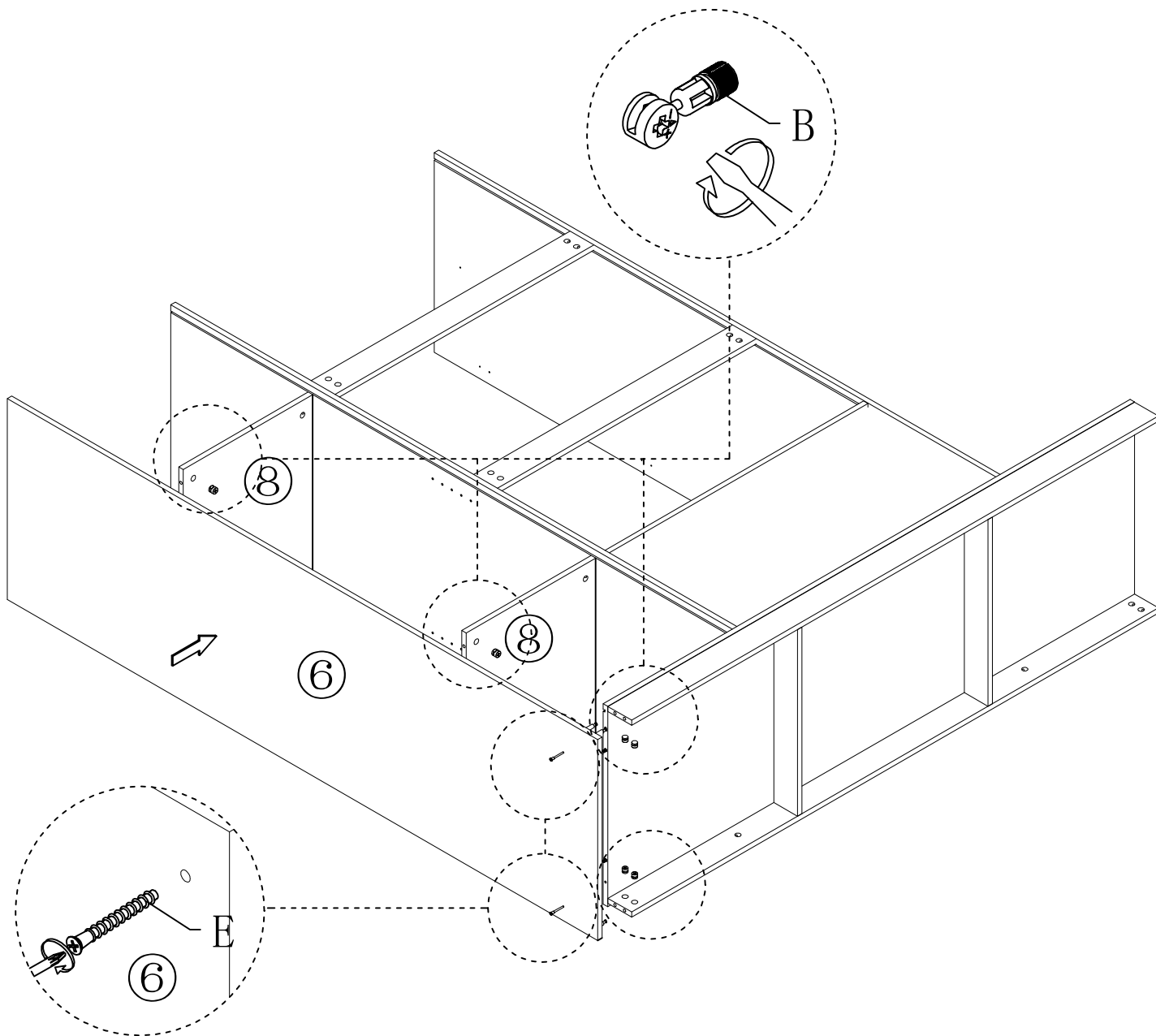
No.A
Quantity:2Pcs
Dowel



No.B
Quantity:8Pcs
Cam Bolt



STEP 13



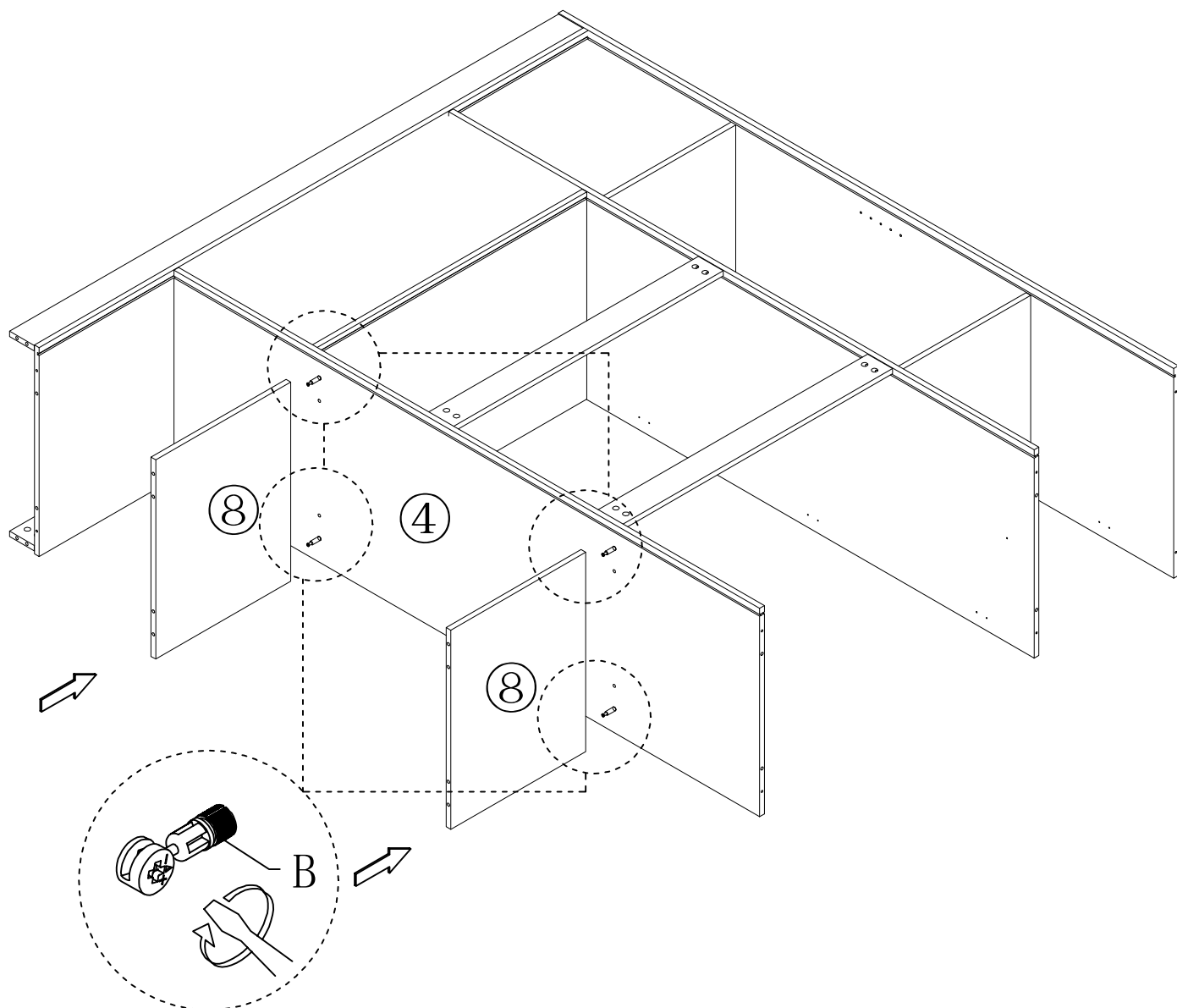
No.B
Quantity:8Pcs
Cam Nut



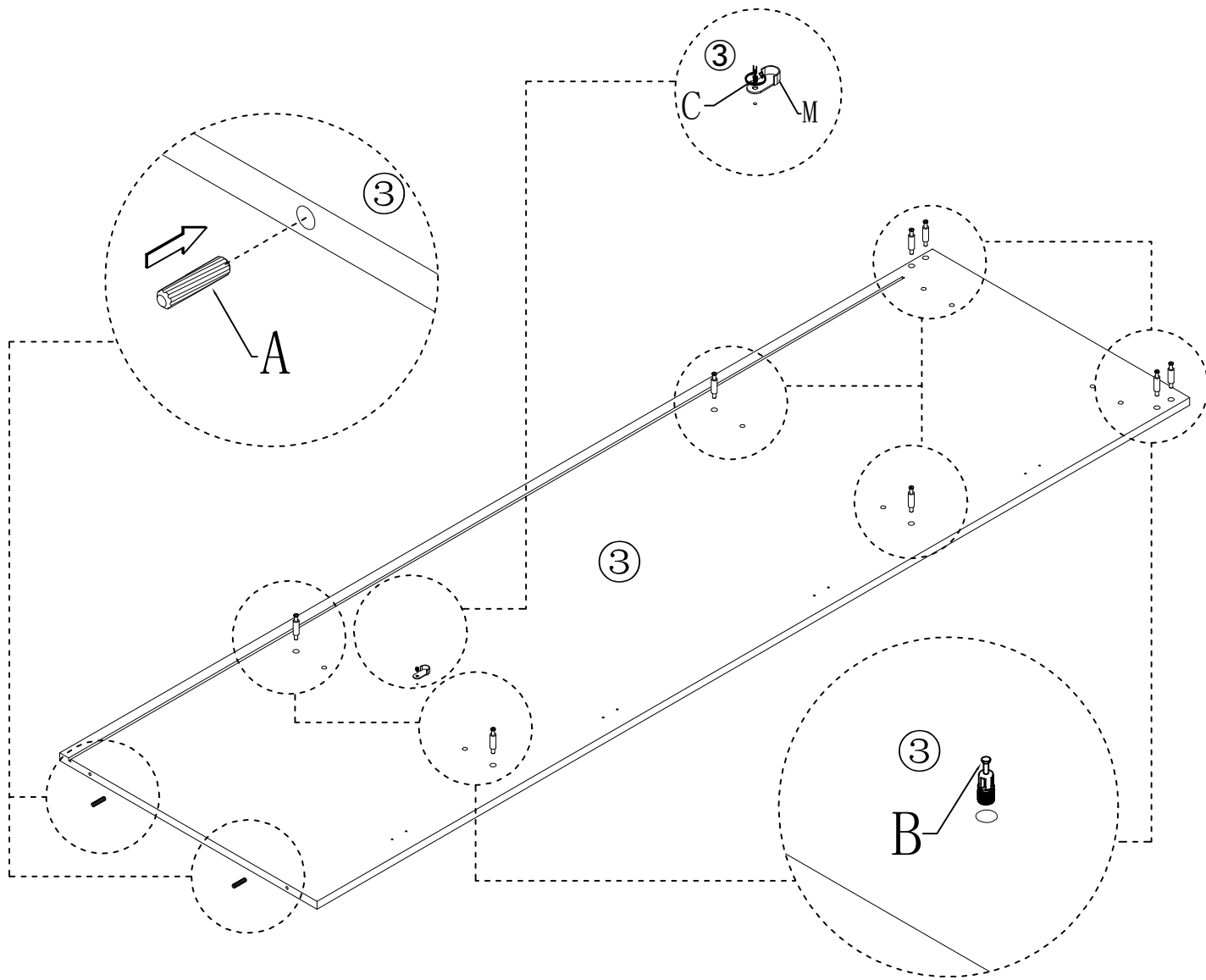
No.E
Quantity:2Pcs
Screw M7*50mm



STEP 14



STEP 15



No.A
Quantity:2Pcs
Dowel



No.B
Quantity:8Pcs
Cam Bolt



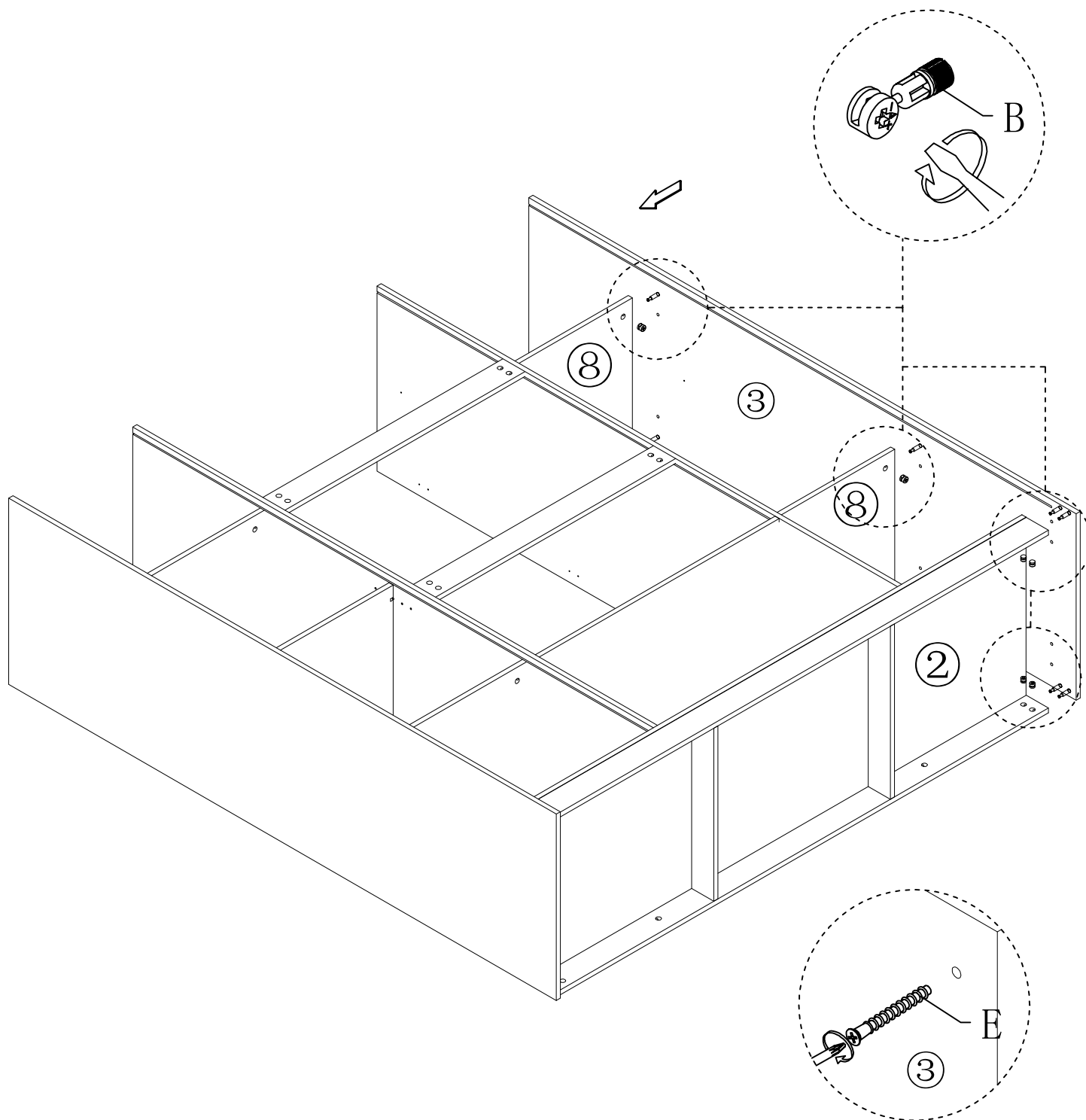
No.M
Quantity:1Pcs
Cam Bolt



No.C
Quantity:1Pcs
Screw M3.5*14mm



STEP 16



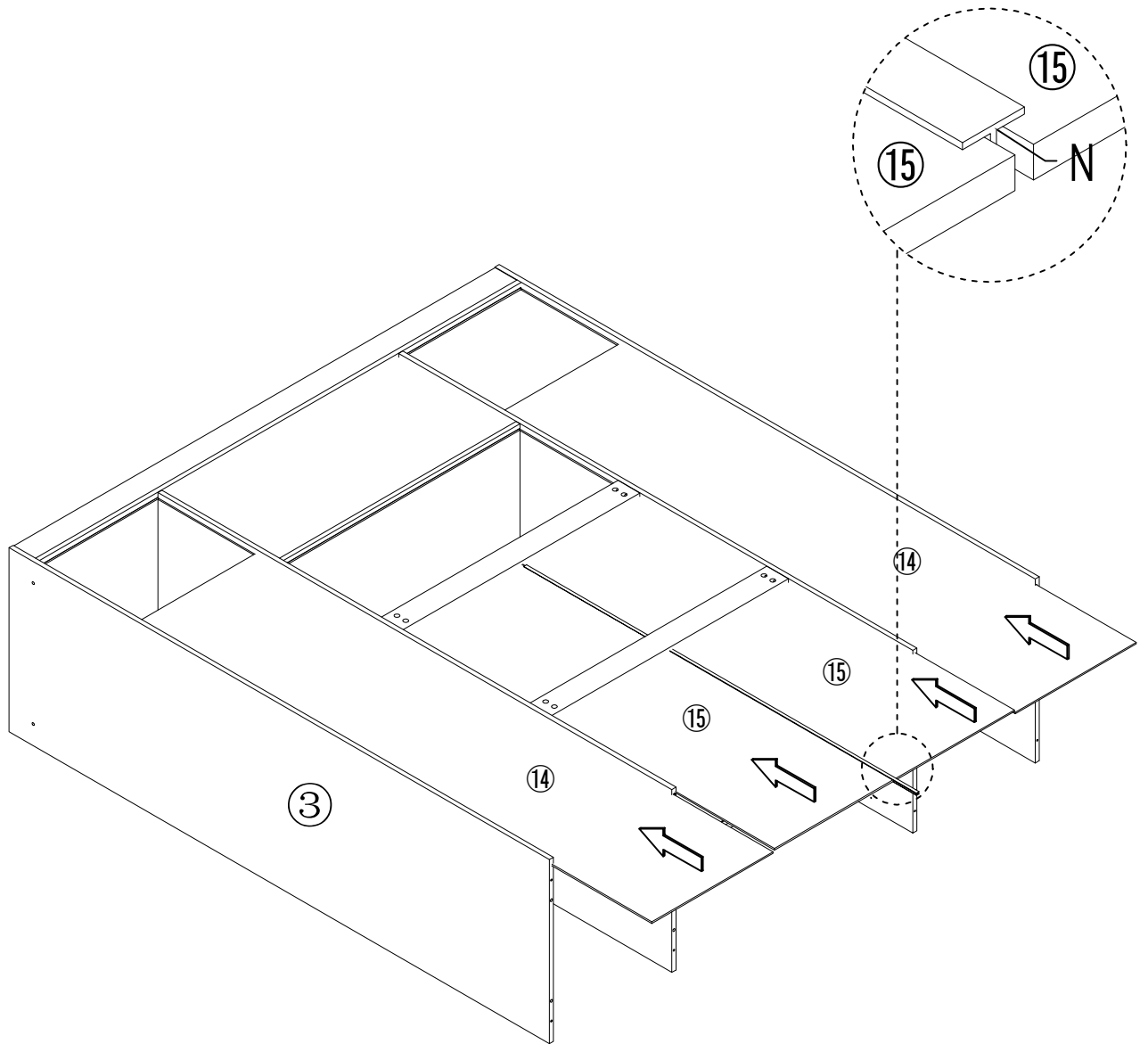
No.B
Quantity:8Pcs
Cam Nut



No.E
Quantity:2Pcs
Screw M7*50mm

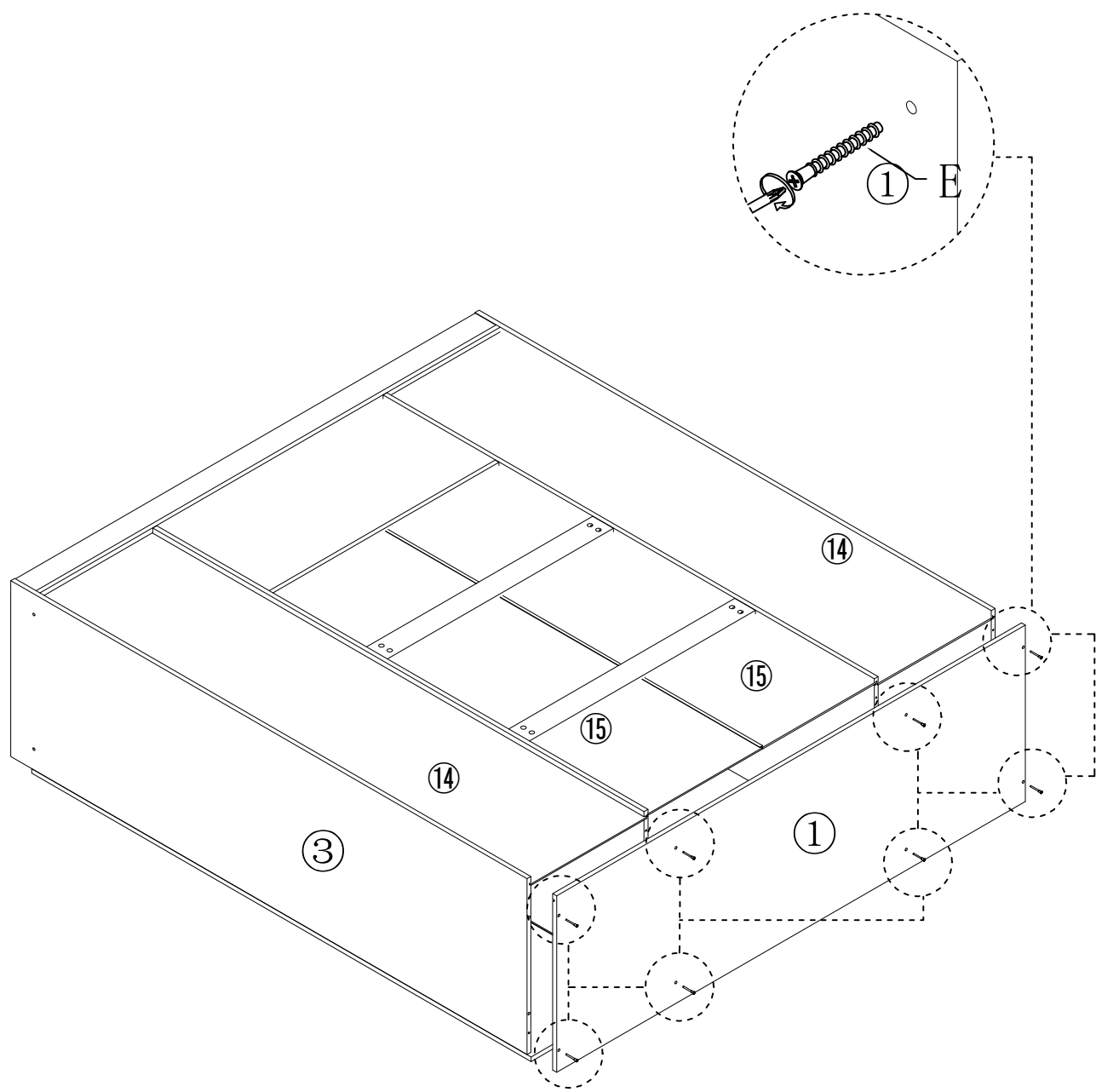


STEP 17



No.N
Quantity:1Pcs
H Strip

STEP 18



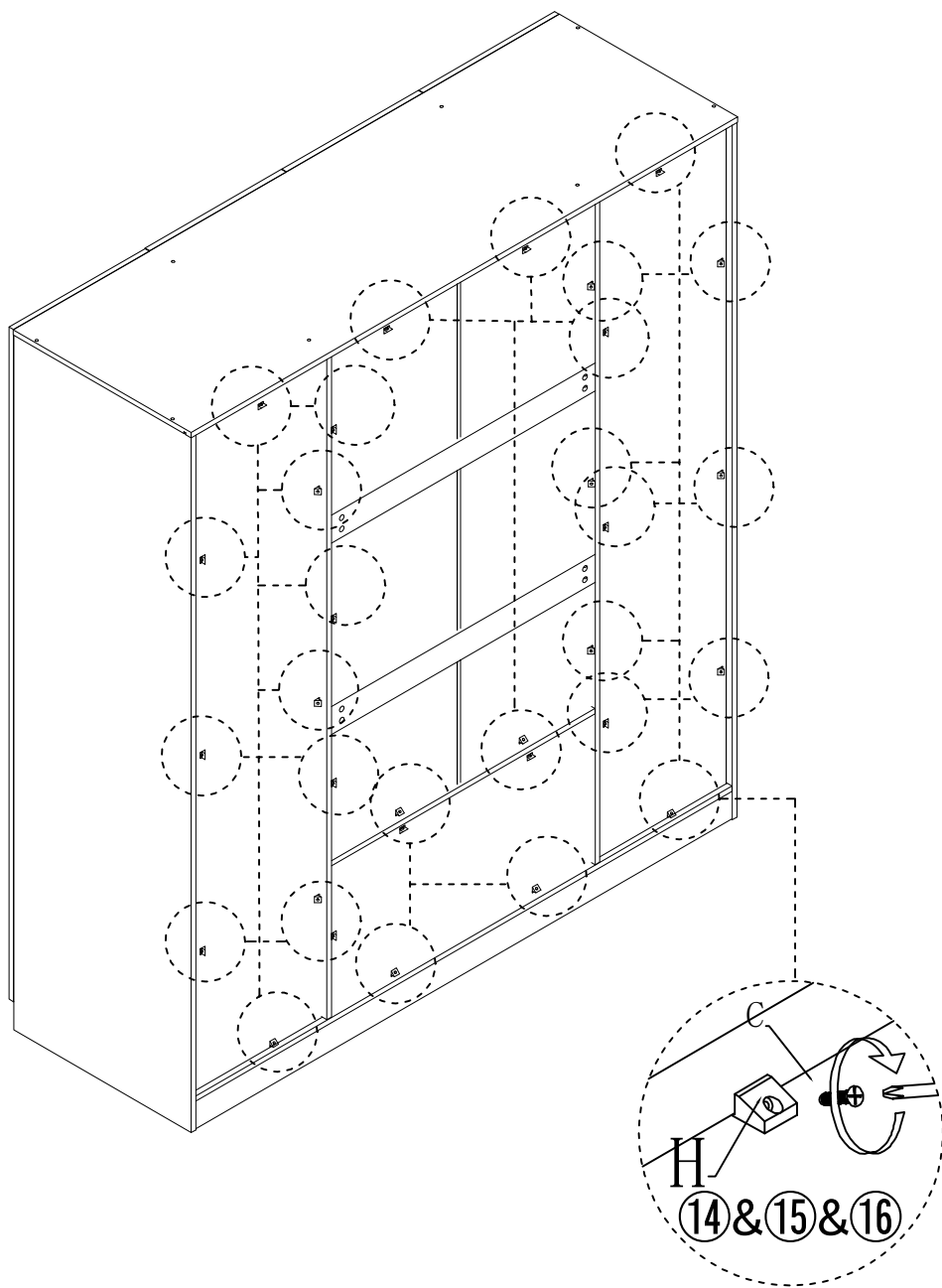
No.E

Quantity: 8Pcs

Screw M7*50mm



STEP 19



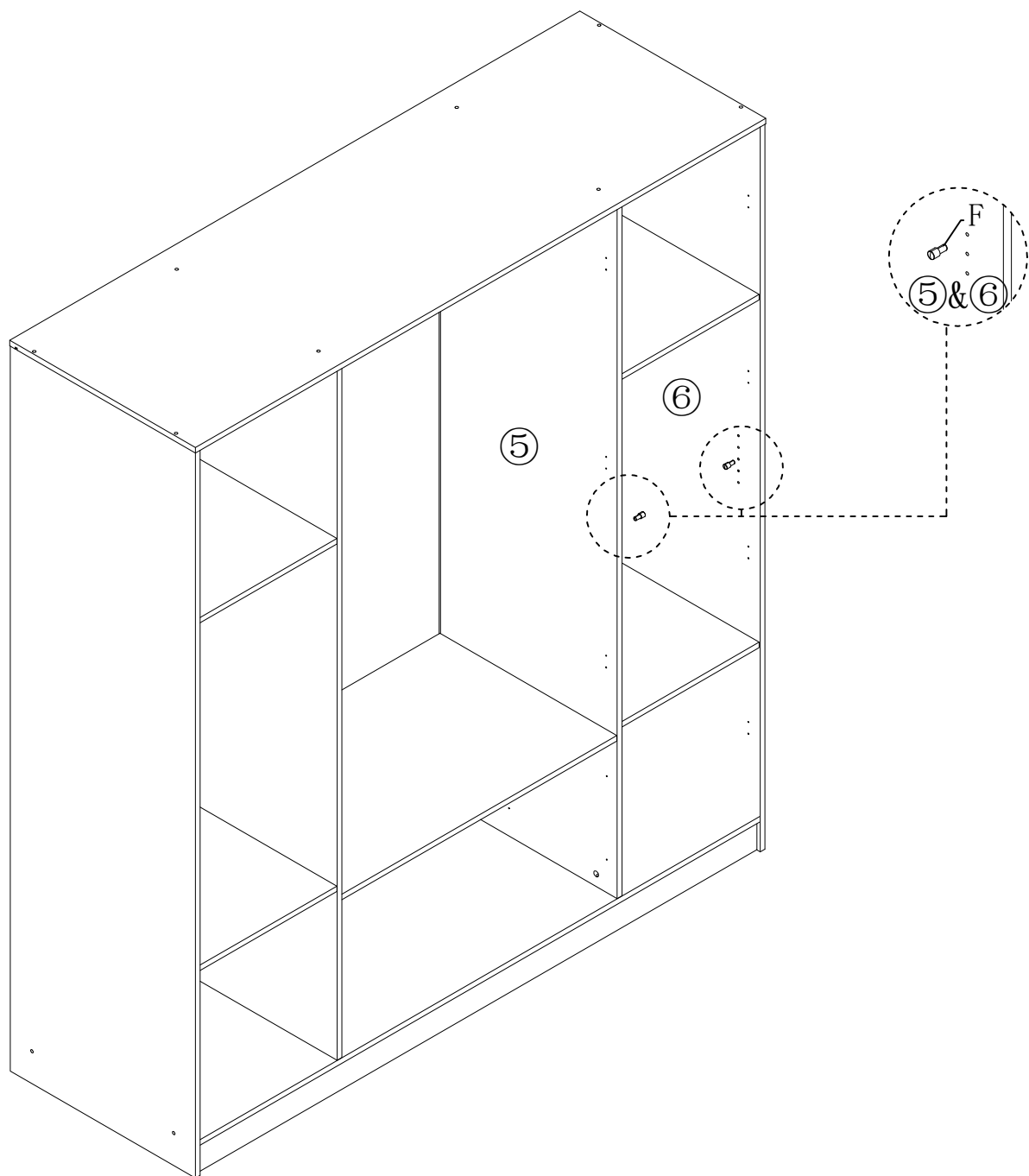
No.C
Quantity:32Pcs
Screw M3.5*14mm



No.H
Quantity:32Pcs
Back Plate Clamp



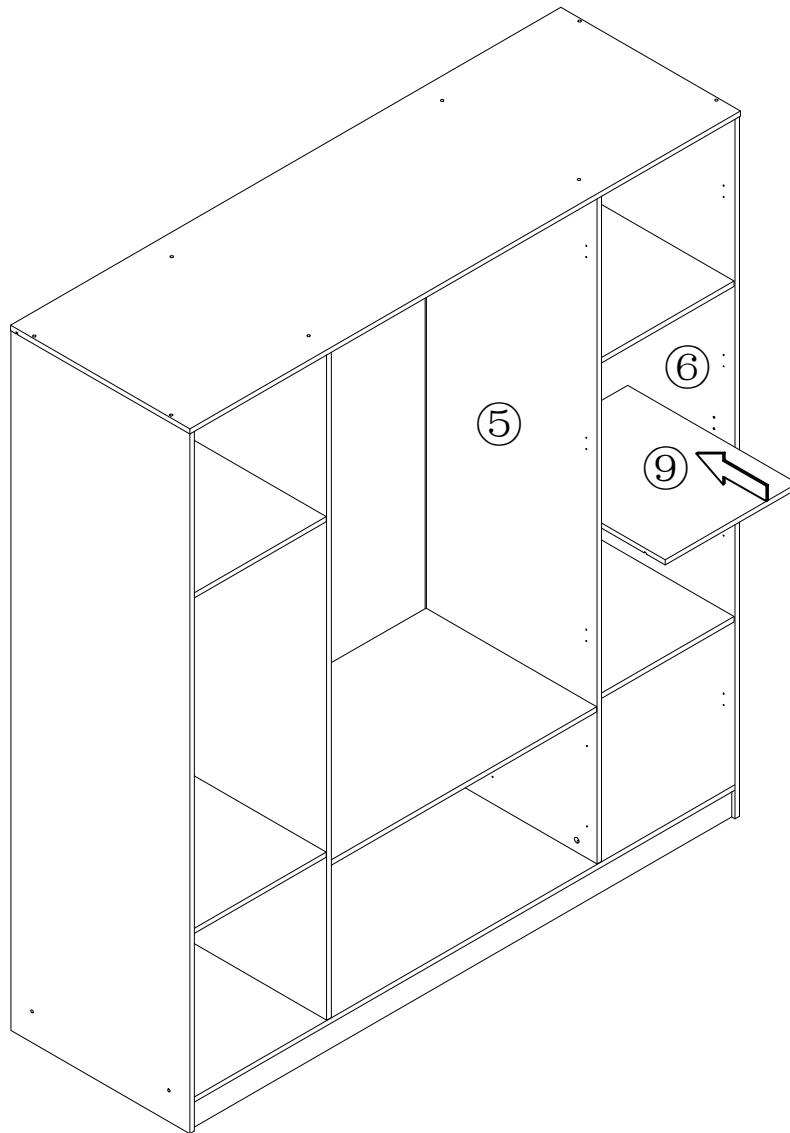
STEP 20



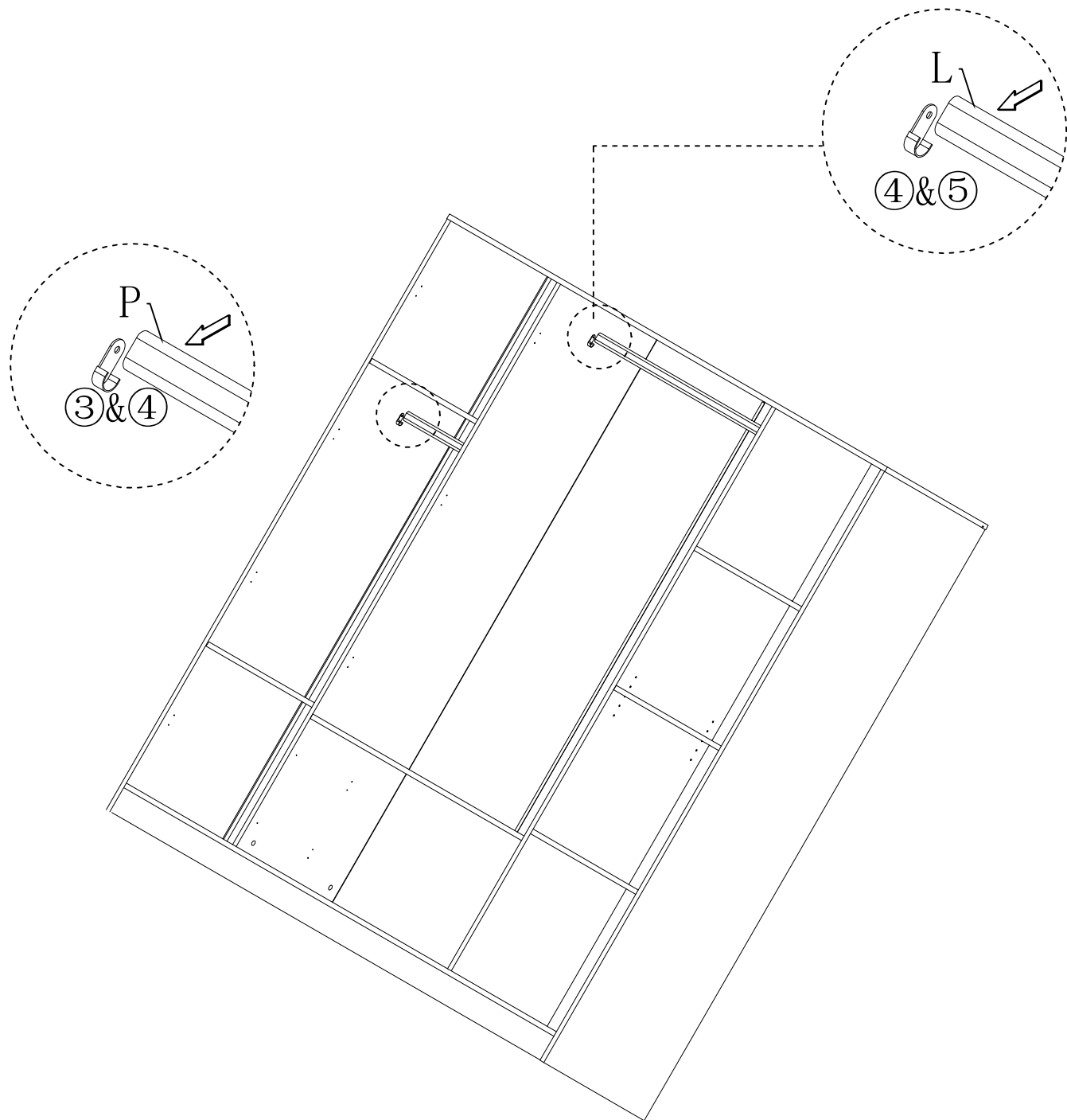
No.F
Quantity:4Pcs
Shelf Support



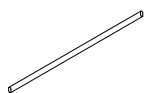
STEP 21



STEP 22



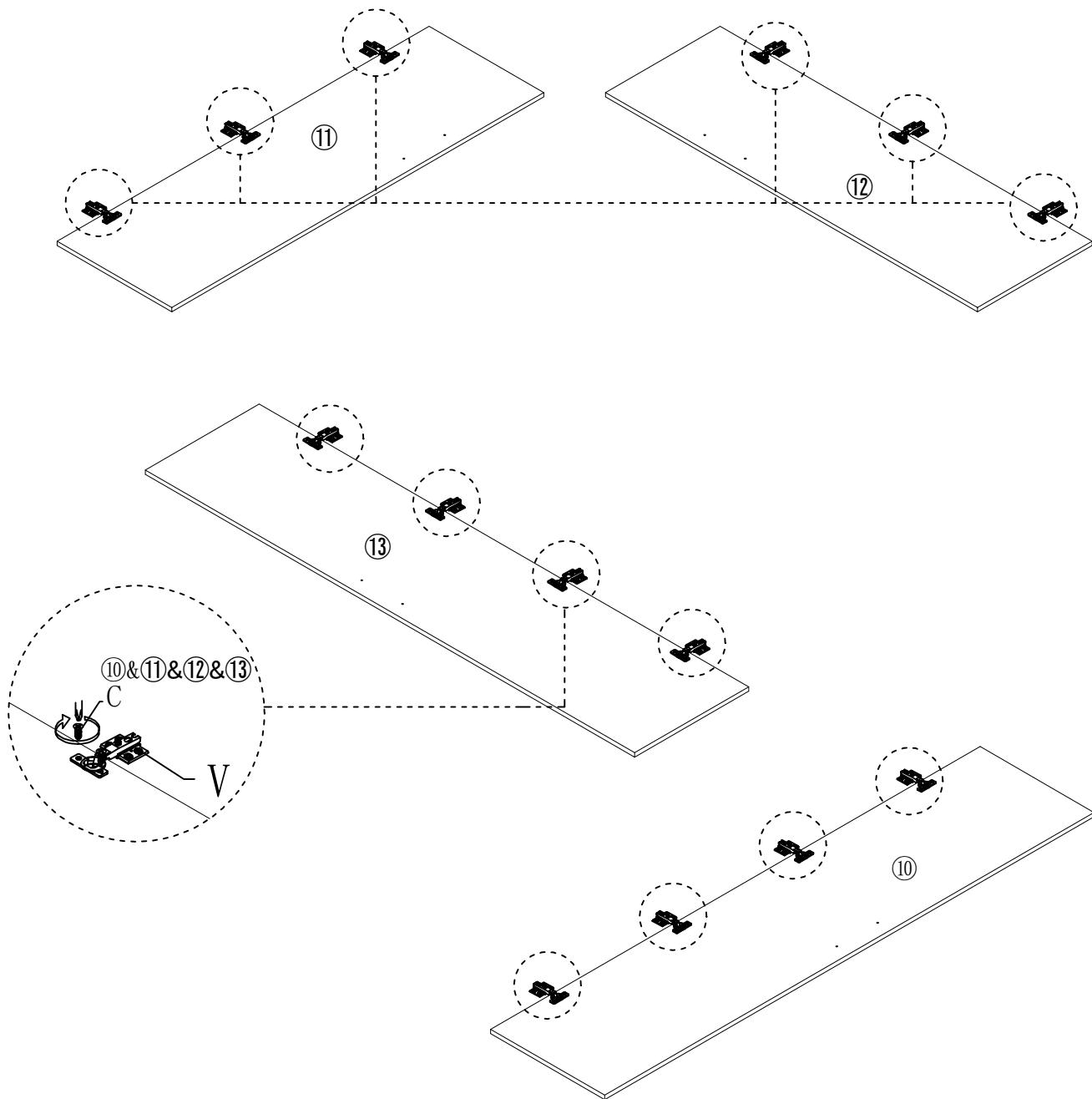
No.L
Quantity: 1Pcs
hange Rod



No.P
Quantity: 1Pcs
hange Rod



STEP 23



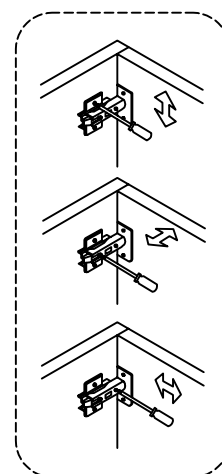
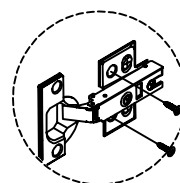
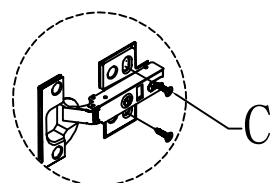
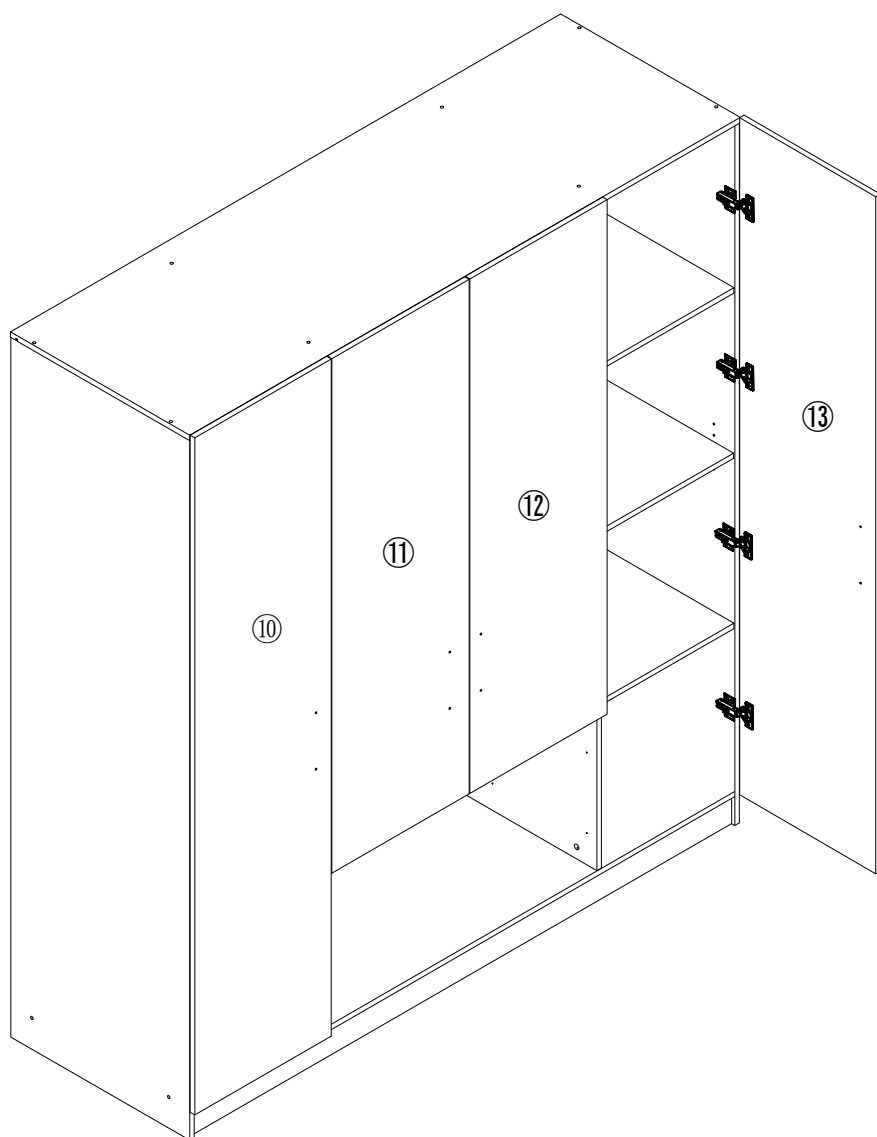
No.C
Quantity:28Pcs
Screw M3.5*14mm



No.V
Quantity:14Pcs
Hinges



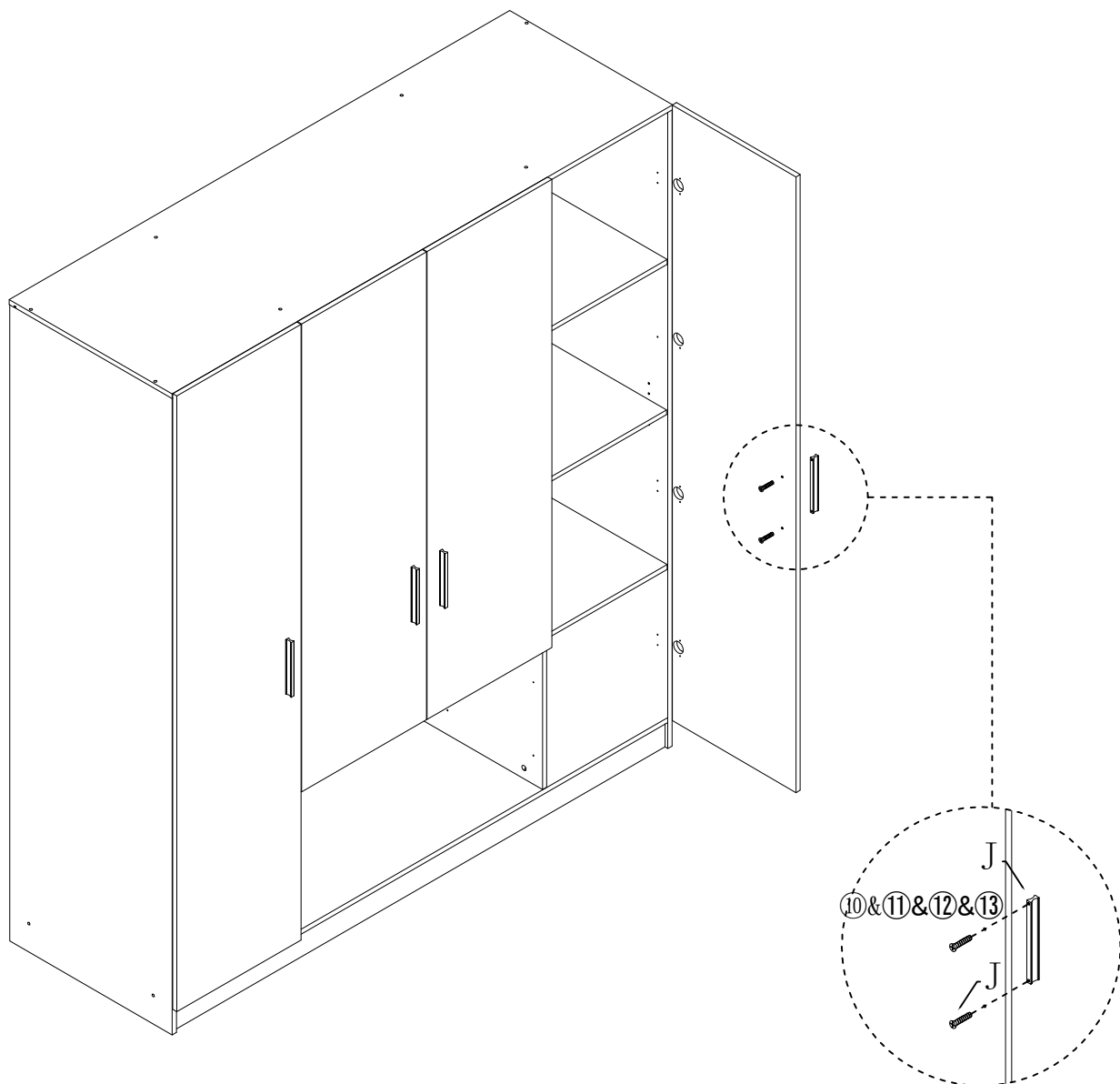
STEP 24



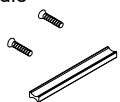
No.C
Quantity:56Pcs
Screw M3.5*14mm



STEP 25

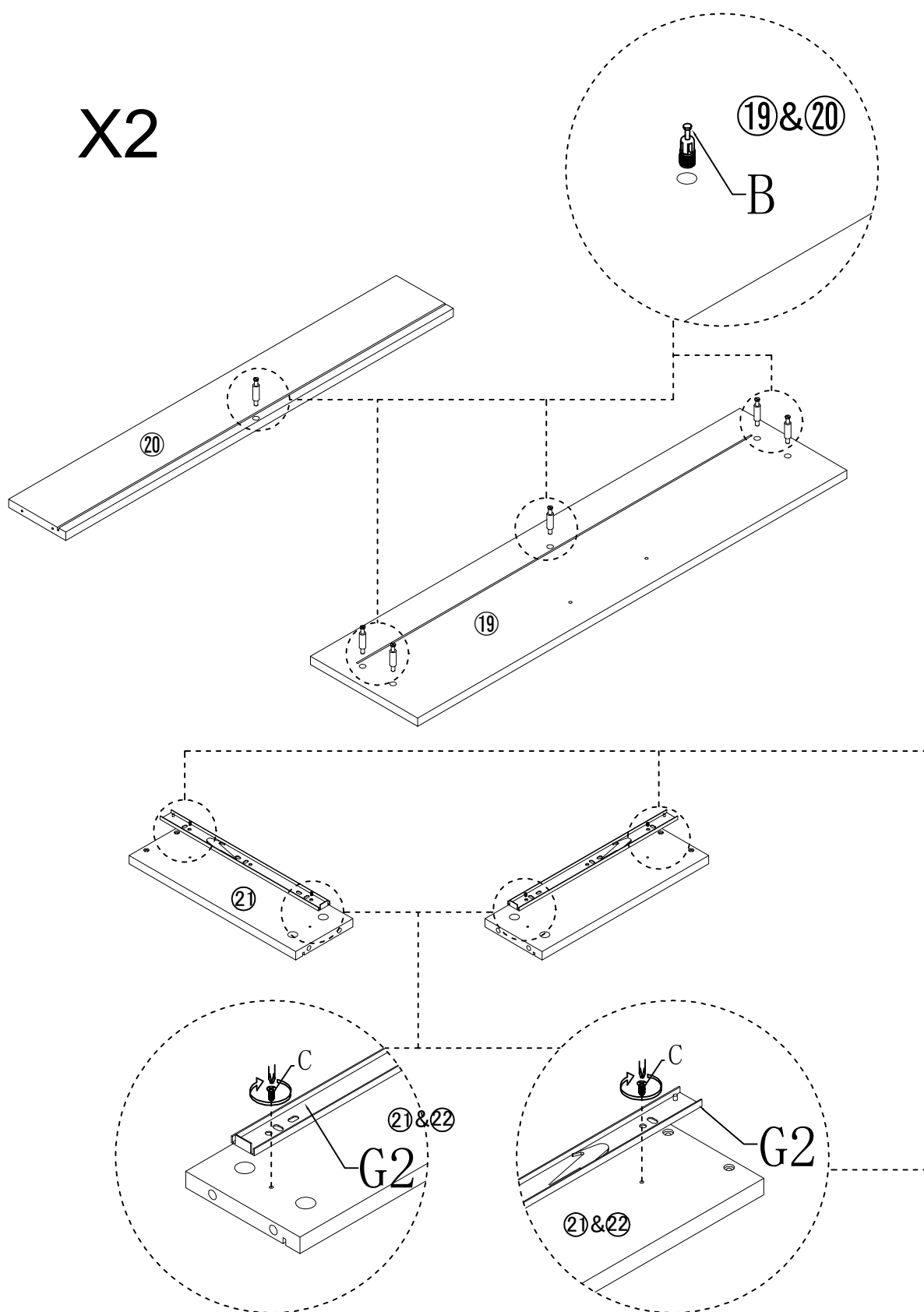


No.J
Quantity:4Pcs
Handle



STEP 26

X2



No.B
Quantity:12Pcs
Cam Bolt



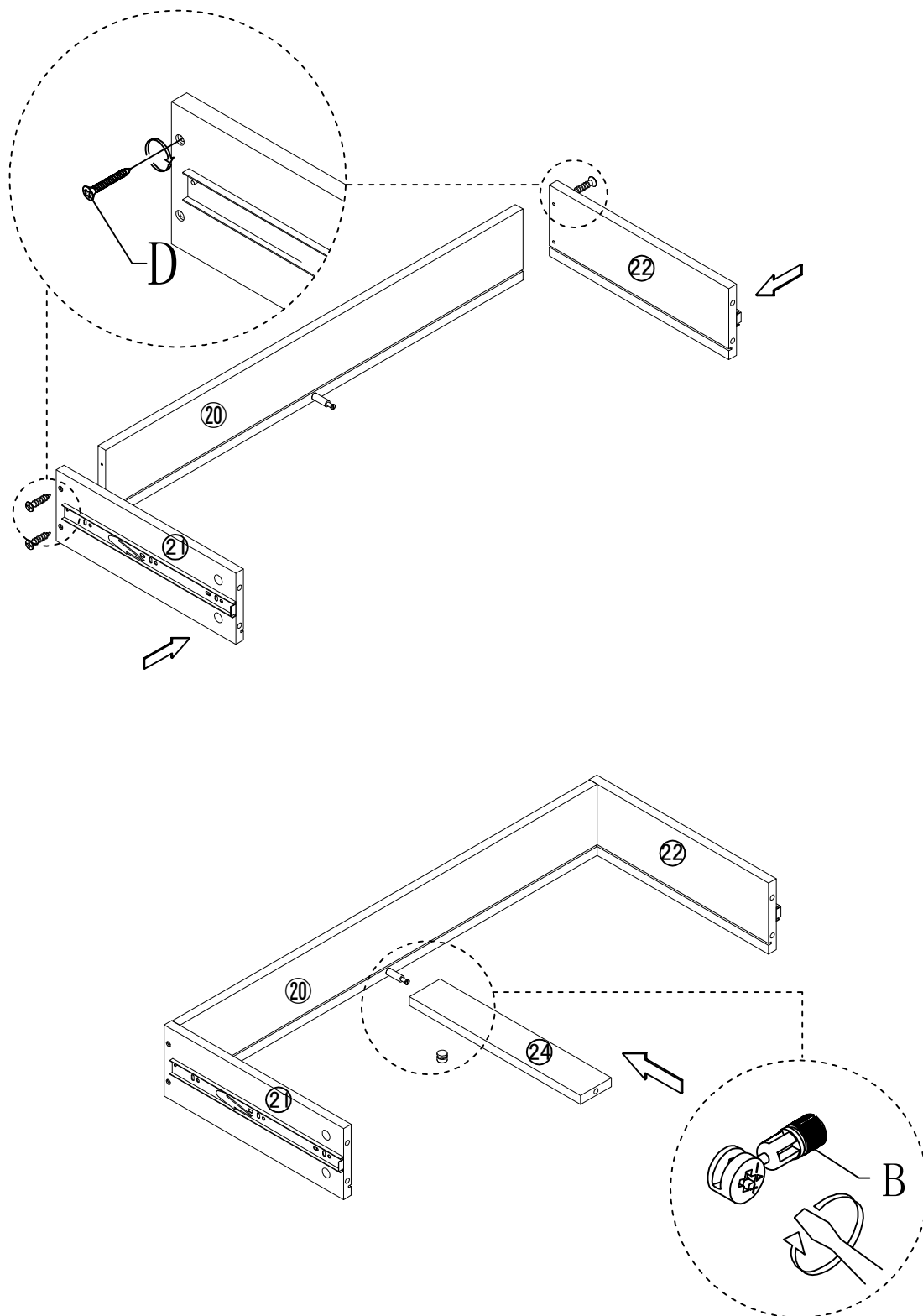
No.C
Quantity:8Pcs
Screw M3.5*14mm



No.G2
Quantity:4Pcs
Drawer Runner



STEP 27



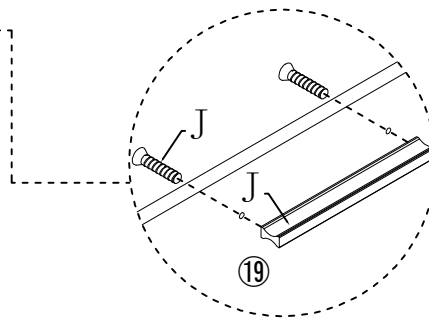
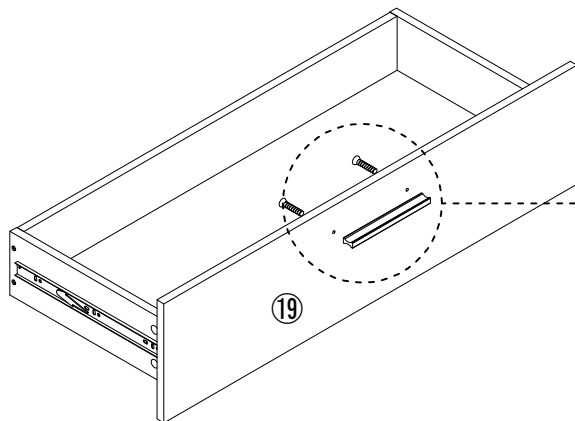
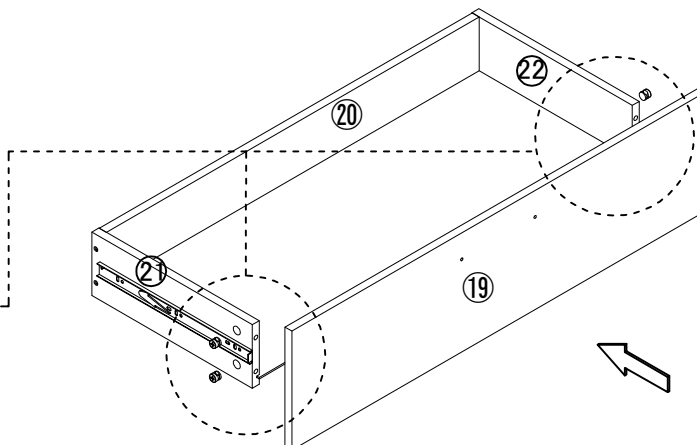
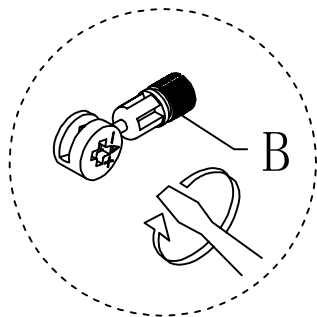
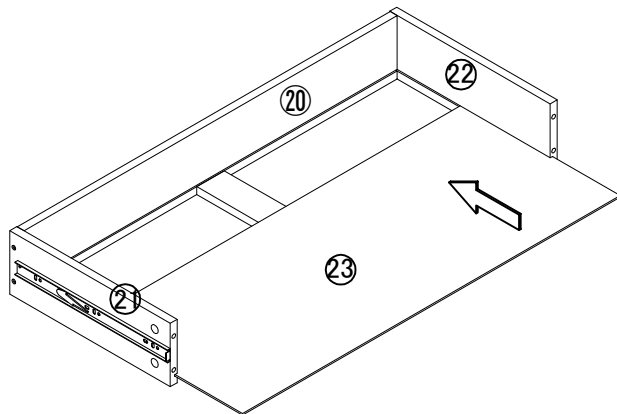
No.B
Quantity:2Pcs
Cam Nut



No.D
Quantity:8Pcs
Screw M3.5*35mm



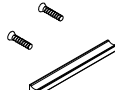
STEP 28



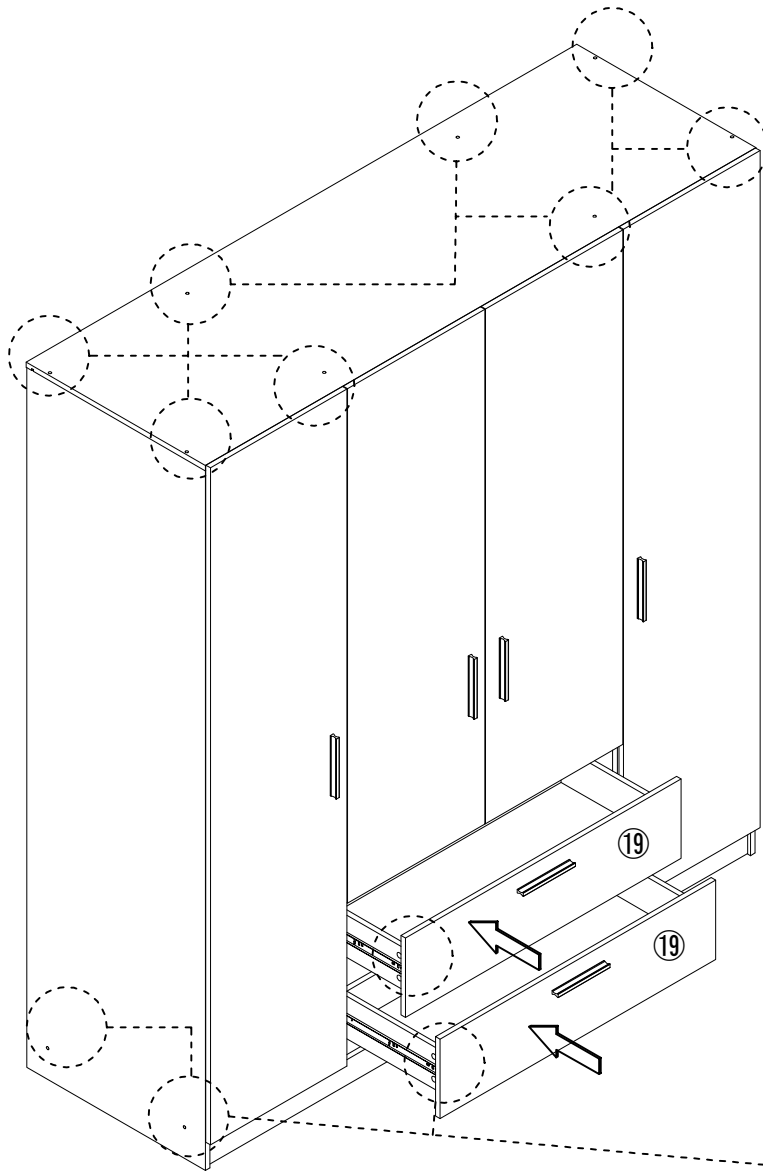
No.B
Quantity: 10Pcs
Cam Nut



No.J
Quantity: 2Pcs
Handle



STEP 29

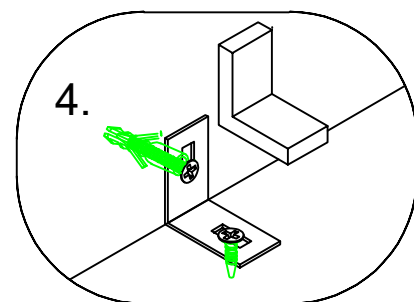
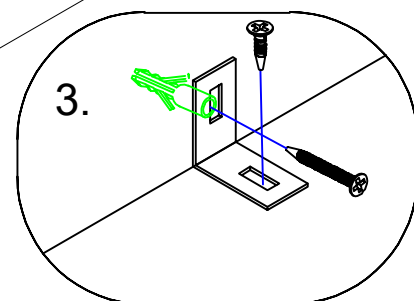
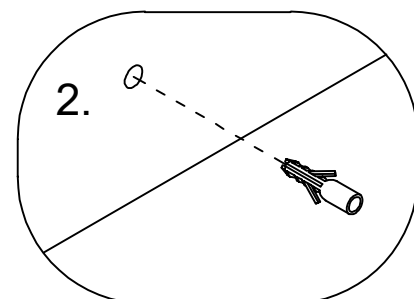
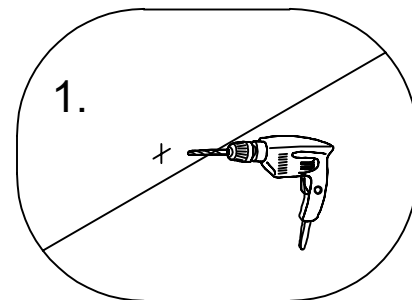
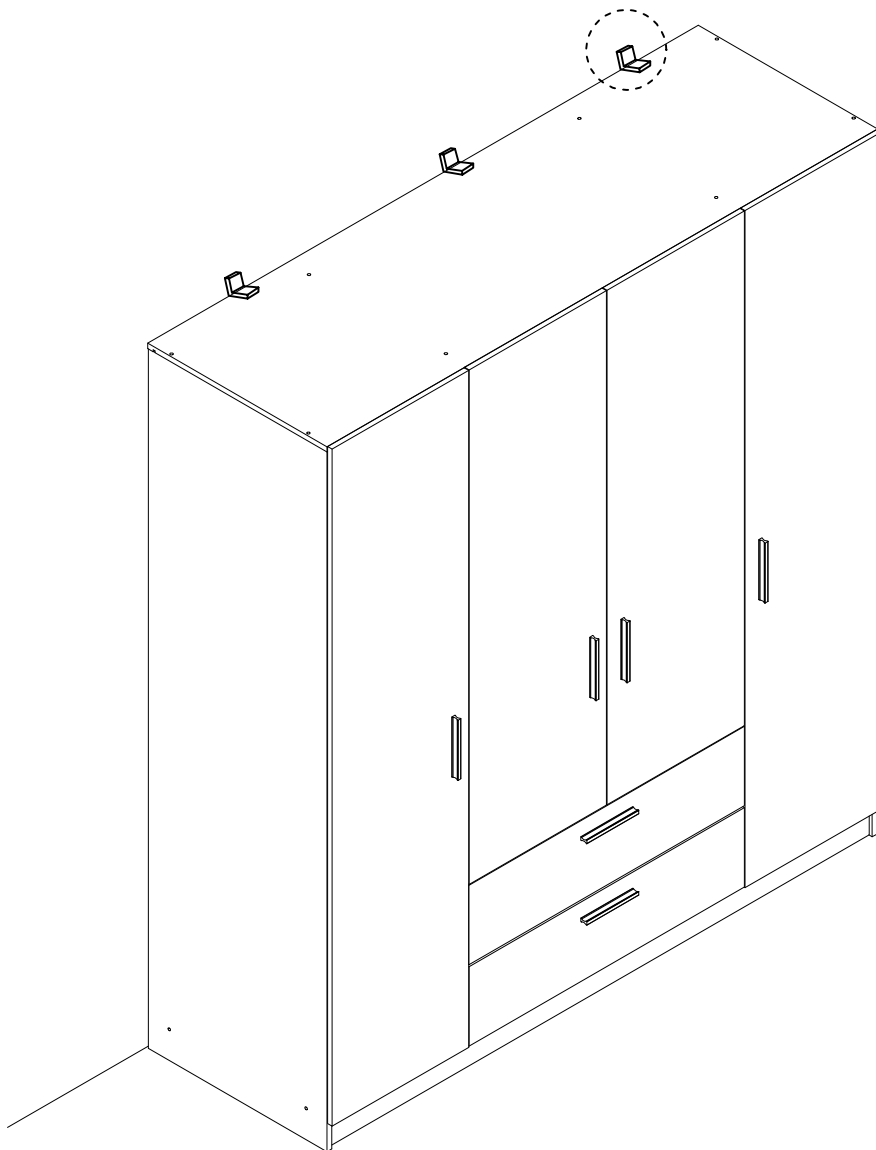


In order to make the product more beautiful, please paste hardware O on the exposed holes

No.J
Quantity:76Pcs
Perfect Cover



STEP 30



No.W

Quantity:3Pcs
Anti Collapse

