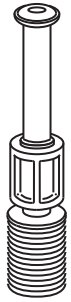


Cambridge Four Door



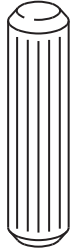
PARTS LIST



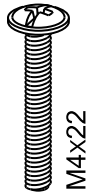
38x



38x



24x



12x



12x



92x



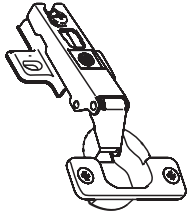
12x



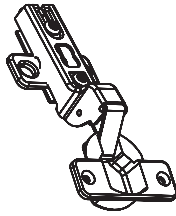
24x



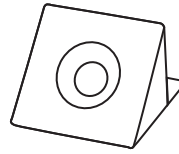
24x



8x



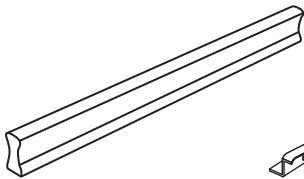
6x



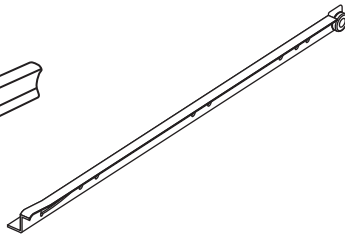
16x



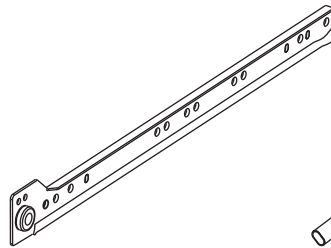
4x



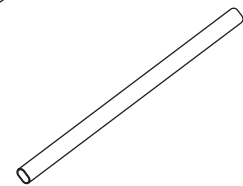
6x



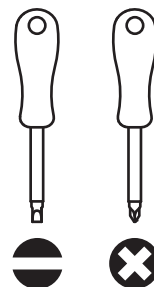
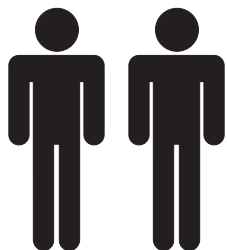
4x



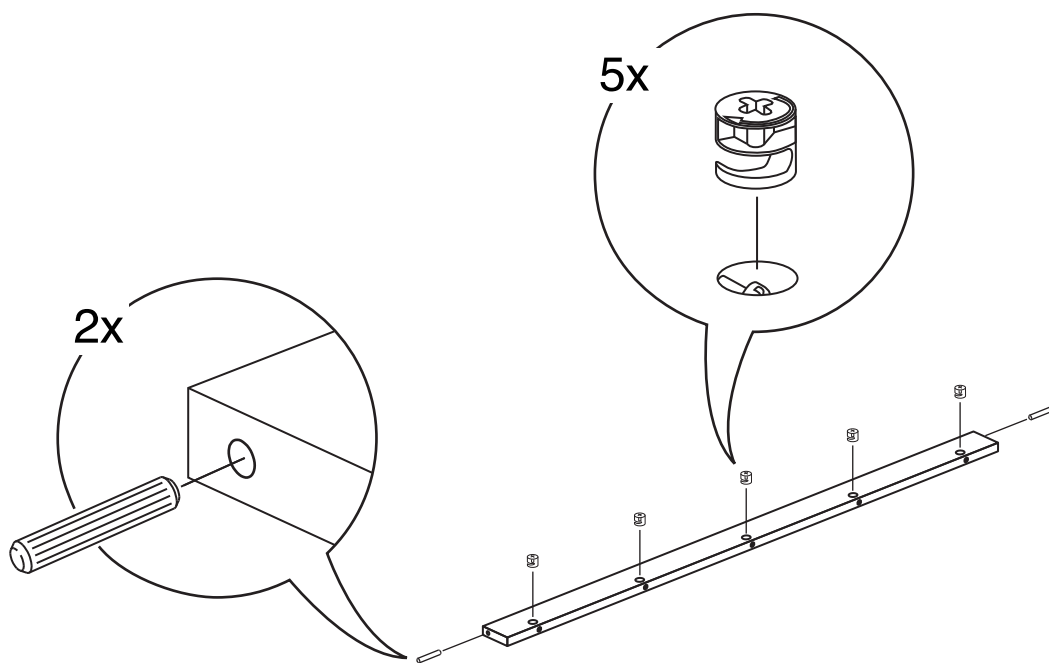
4x



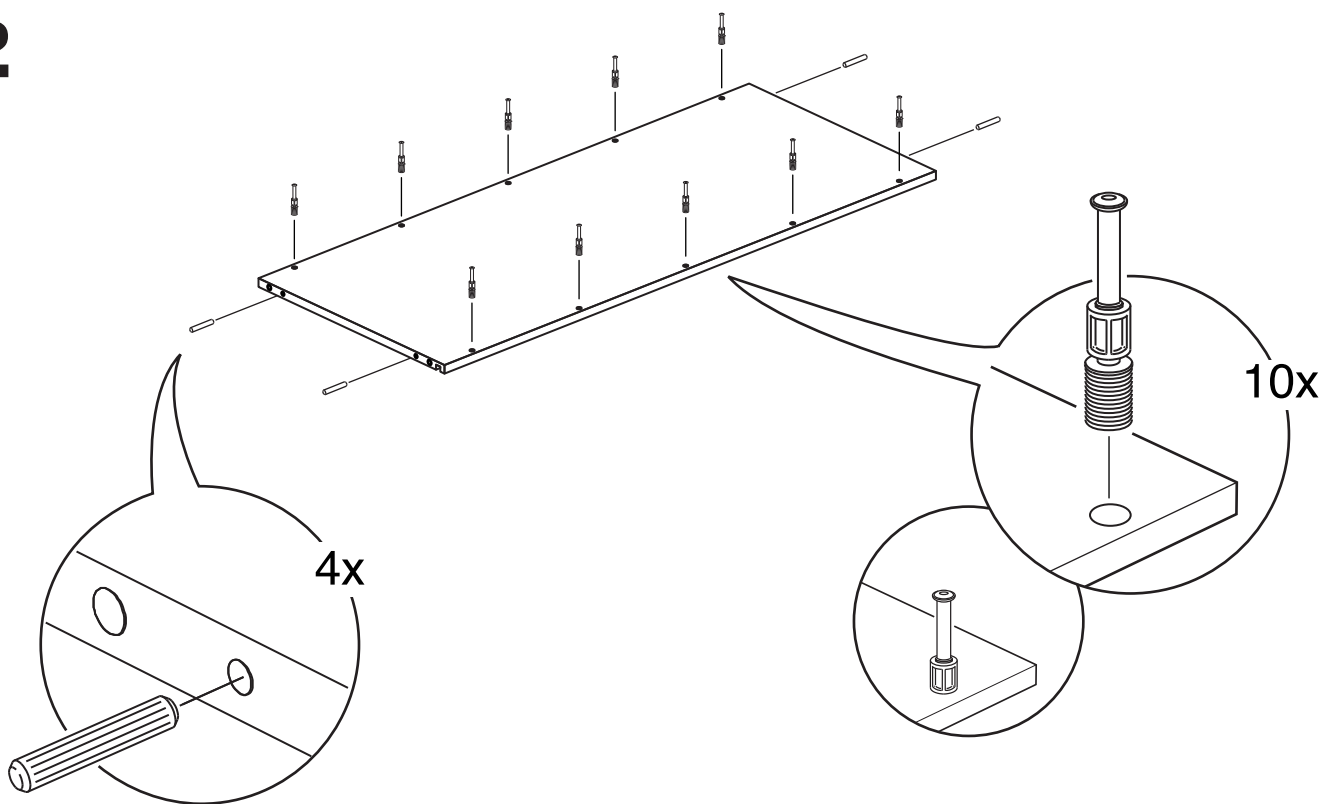
2x



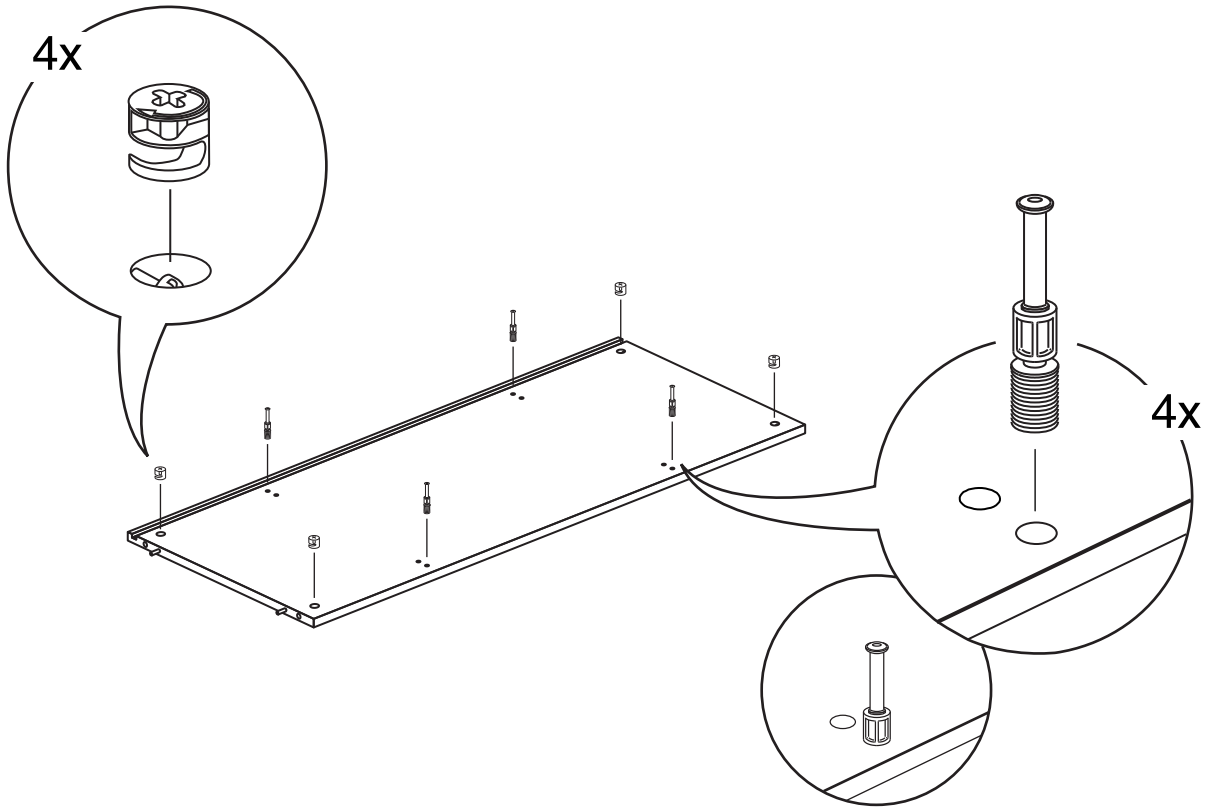
1



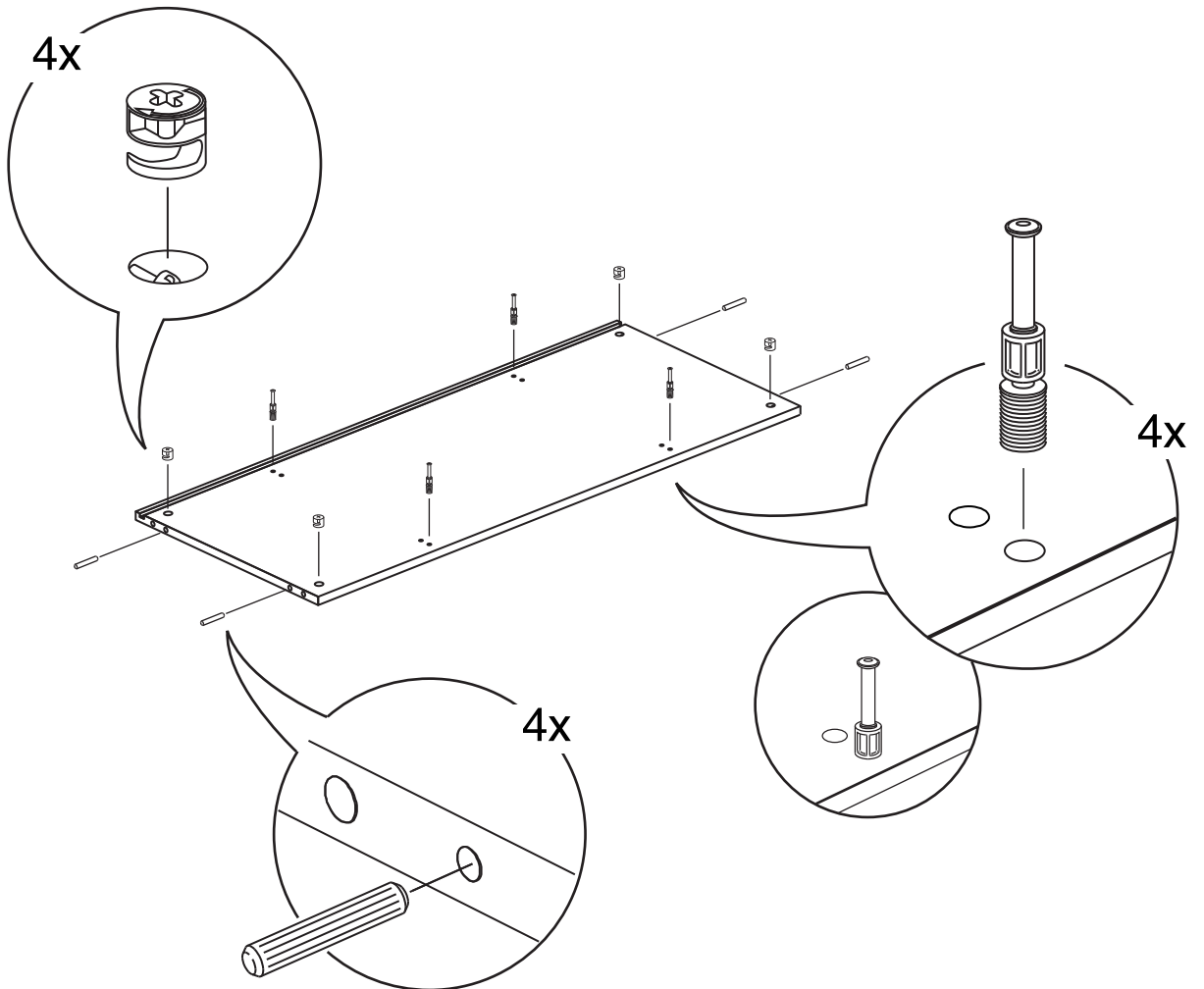
2



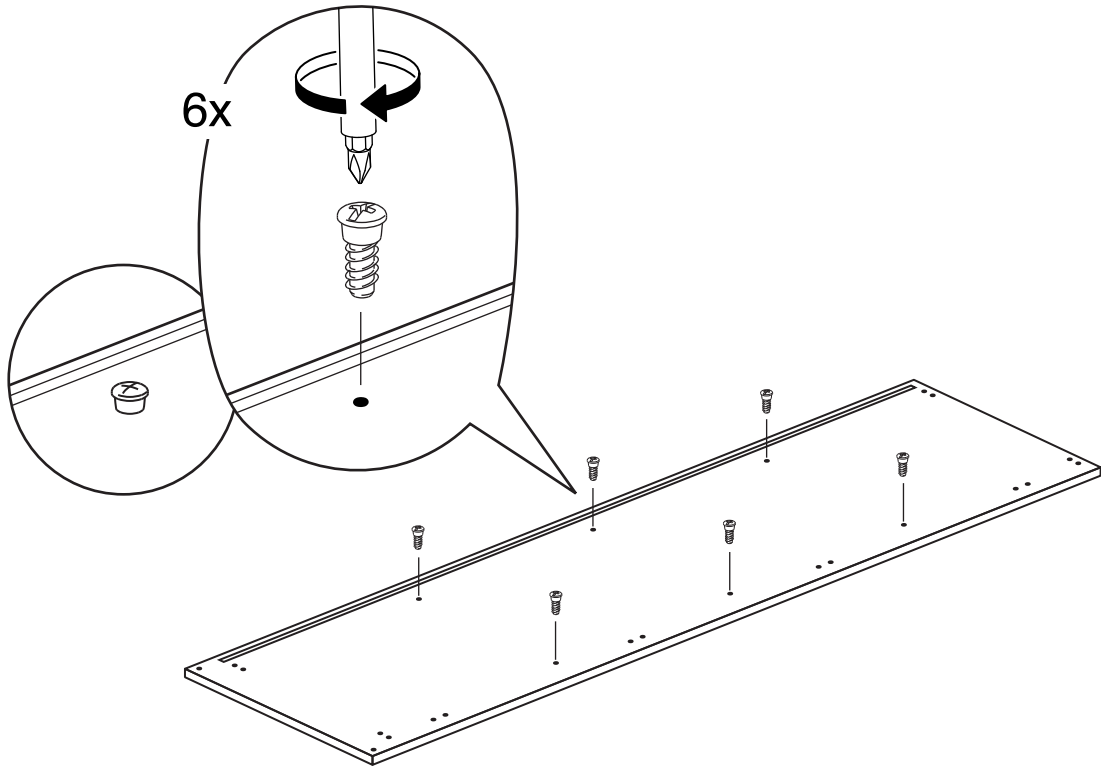
3



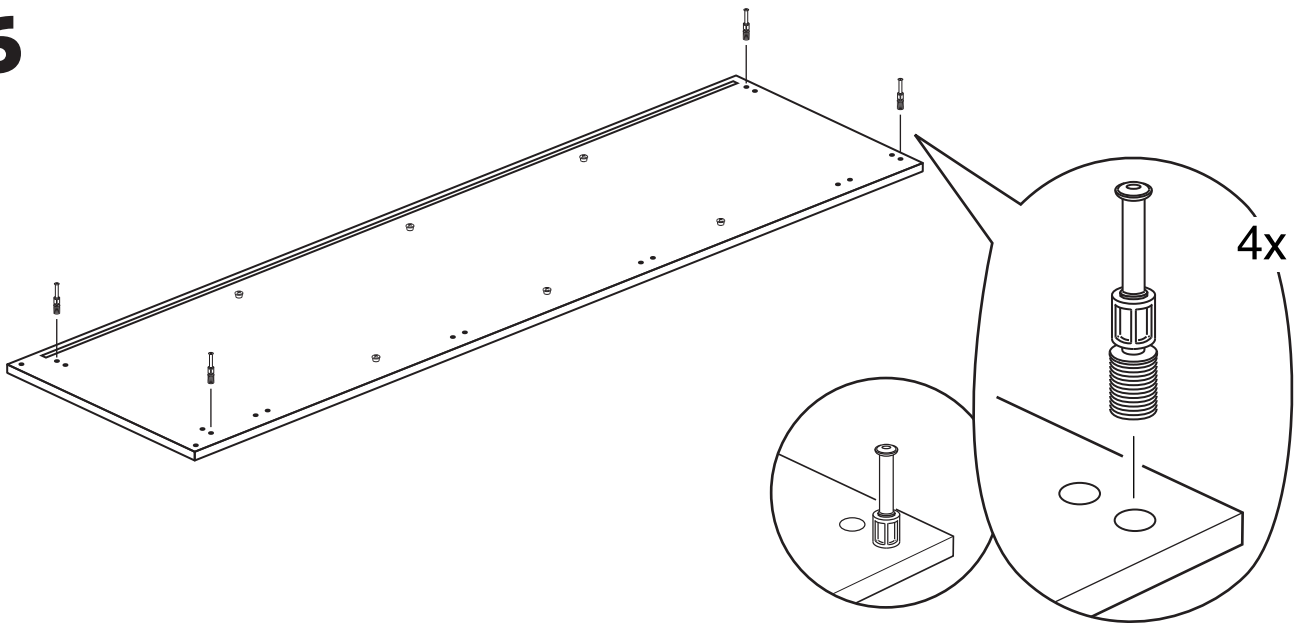
4



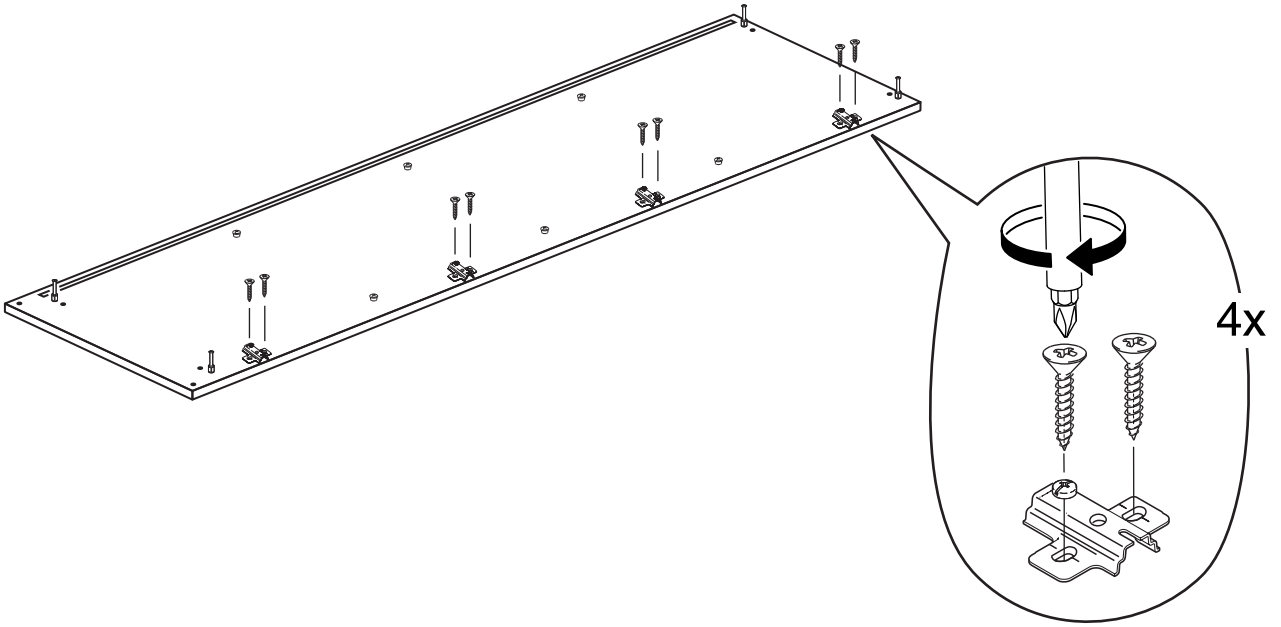
5



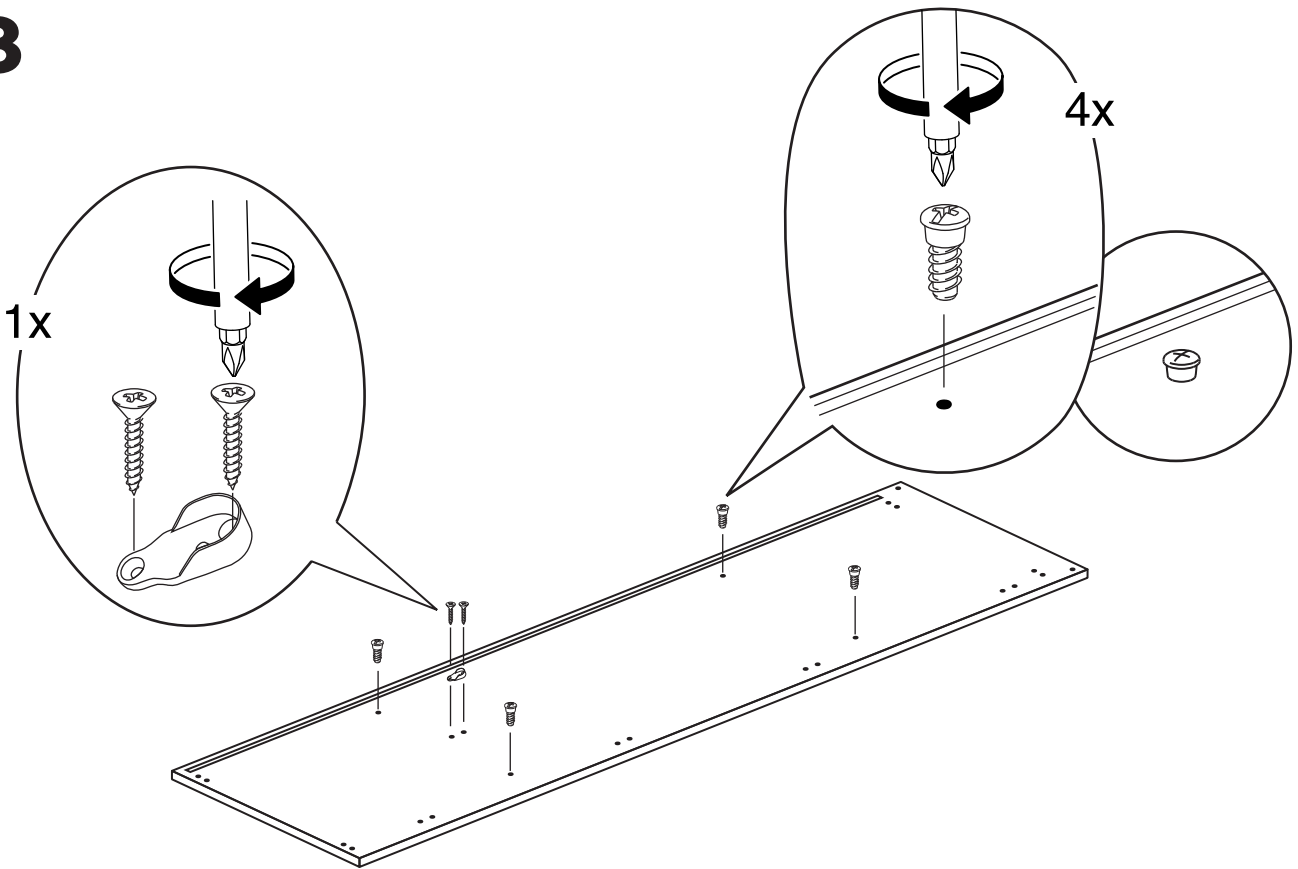
6



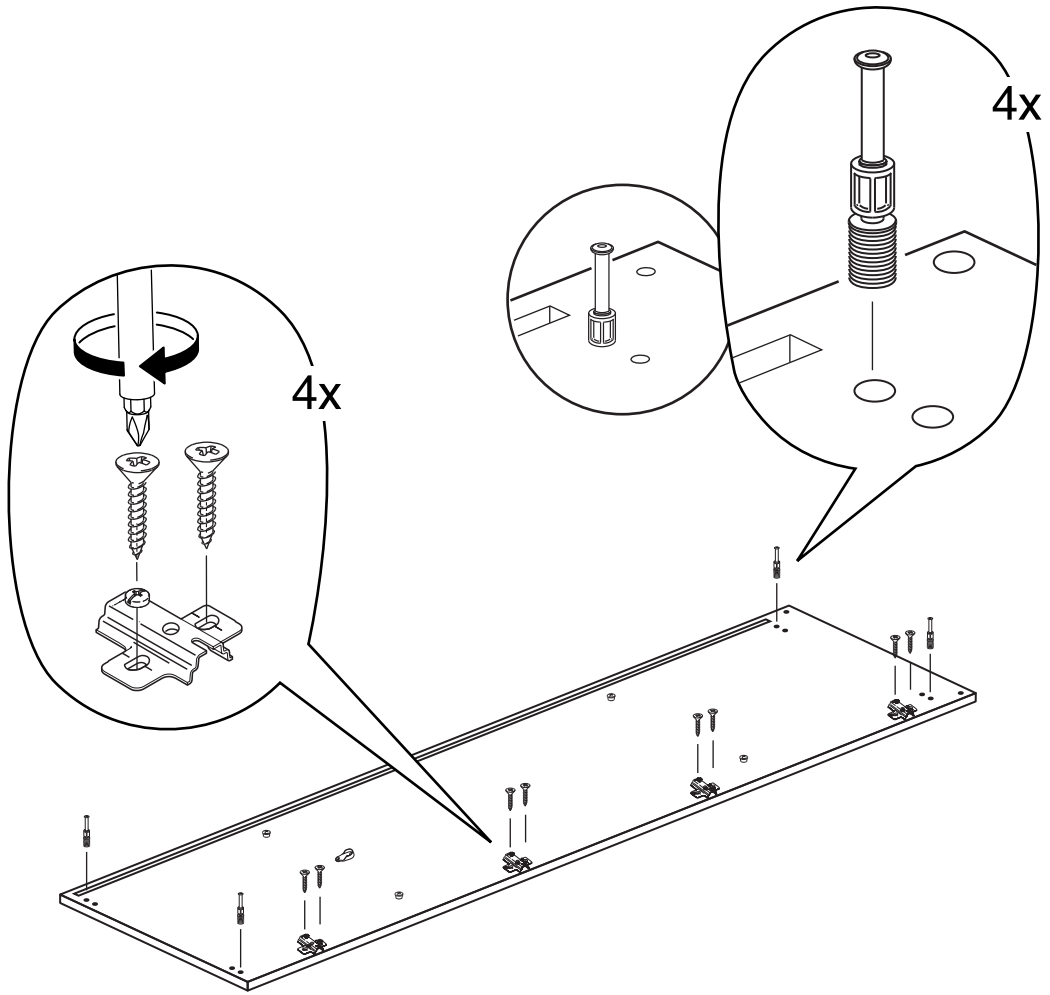
7



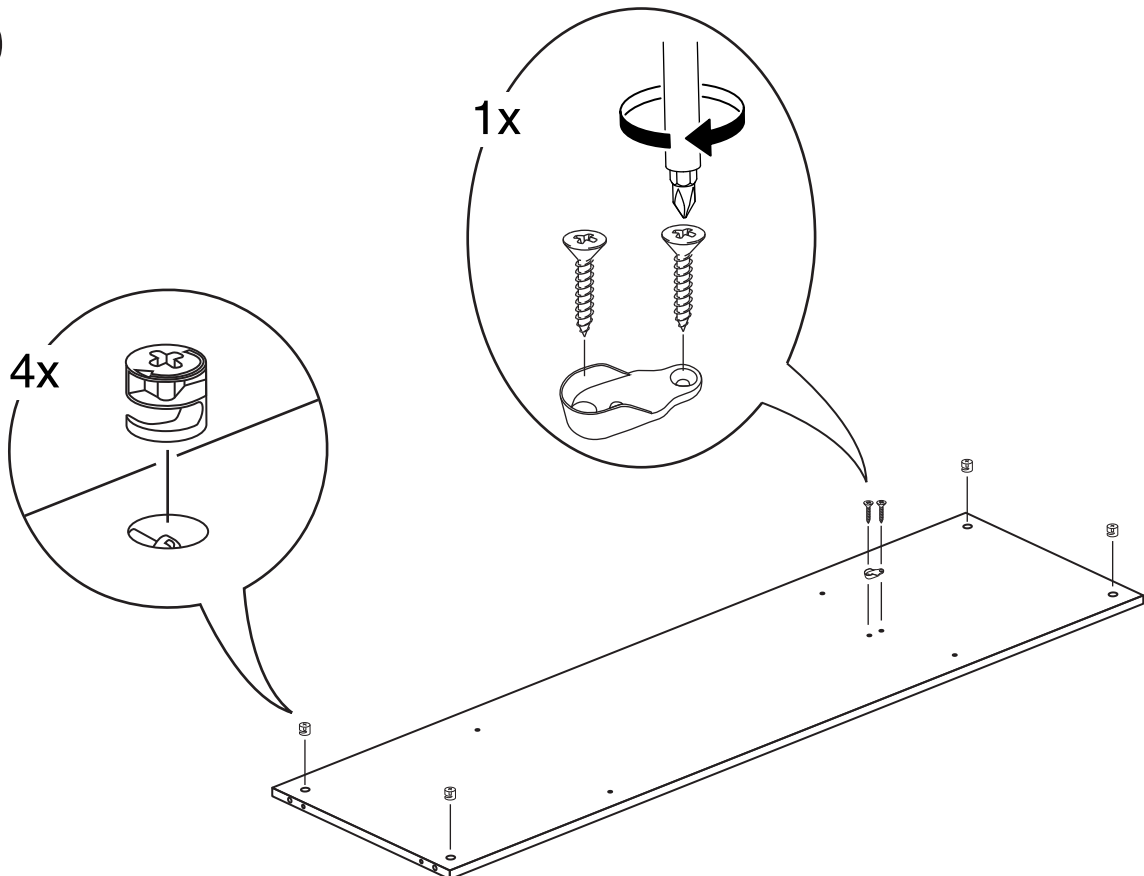
8



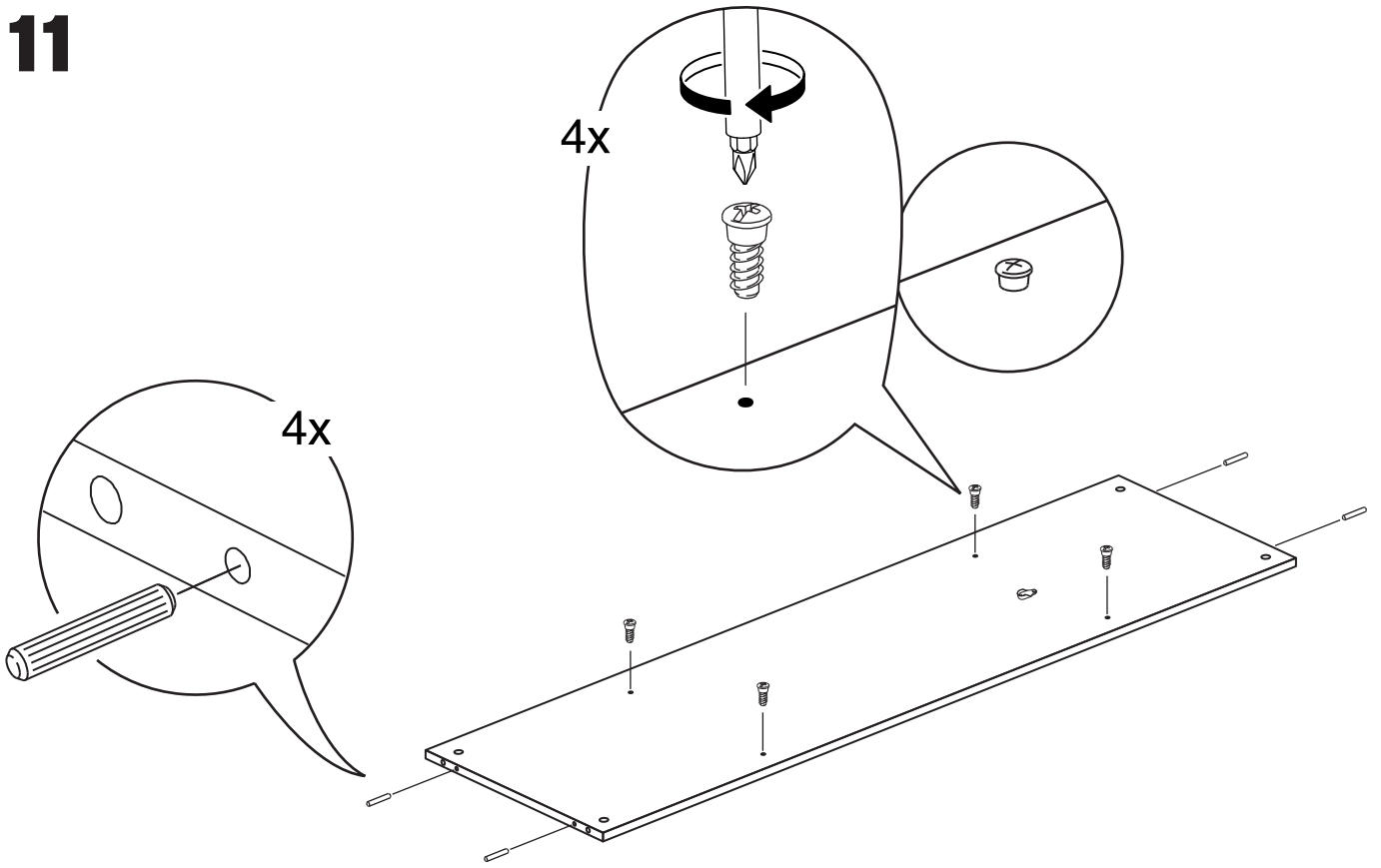
9



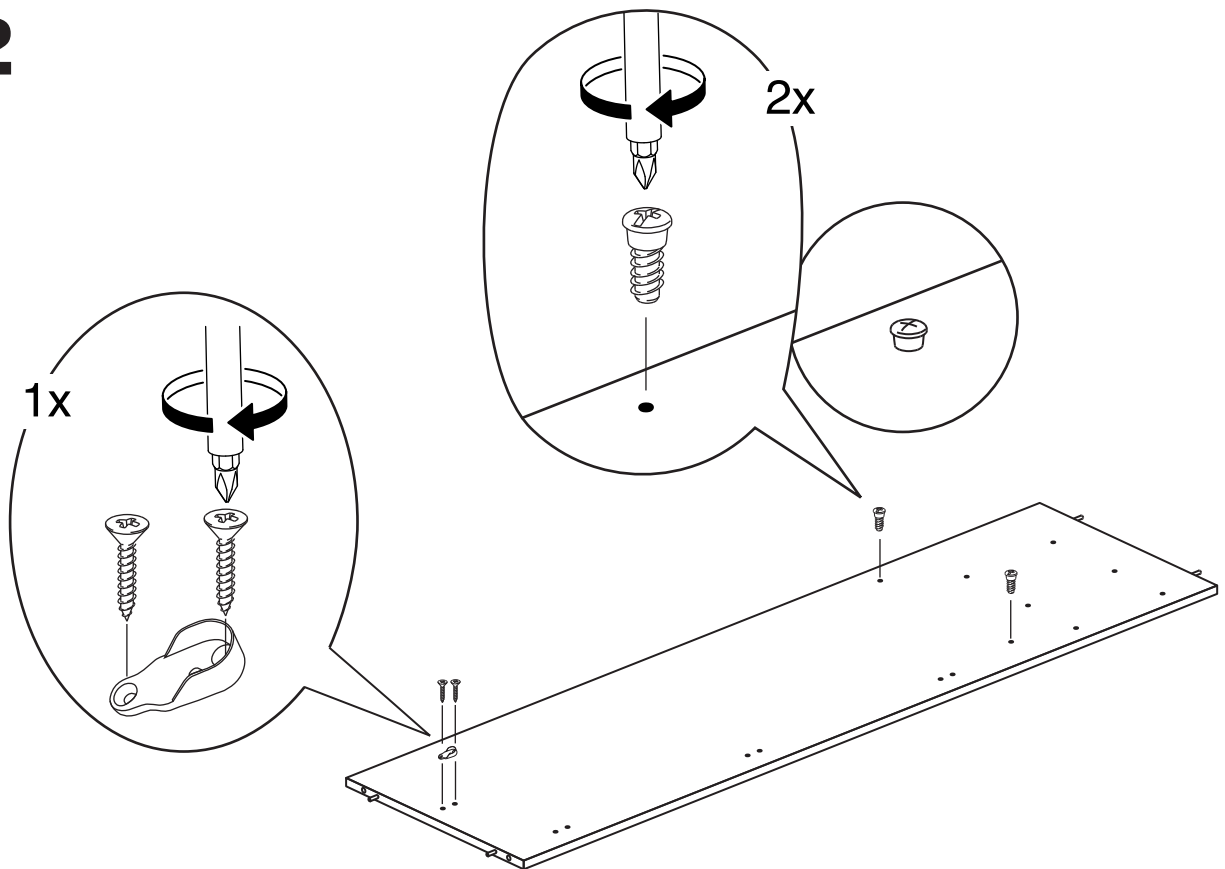
10



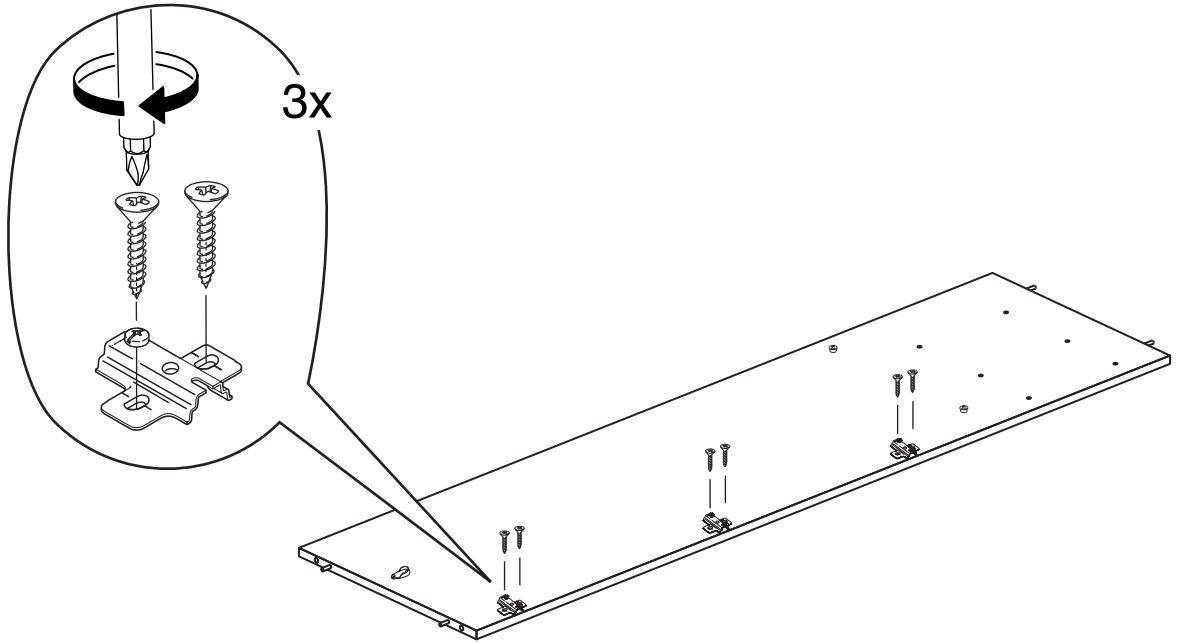
11



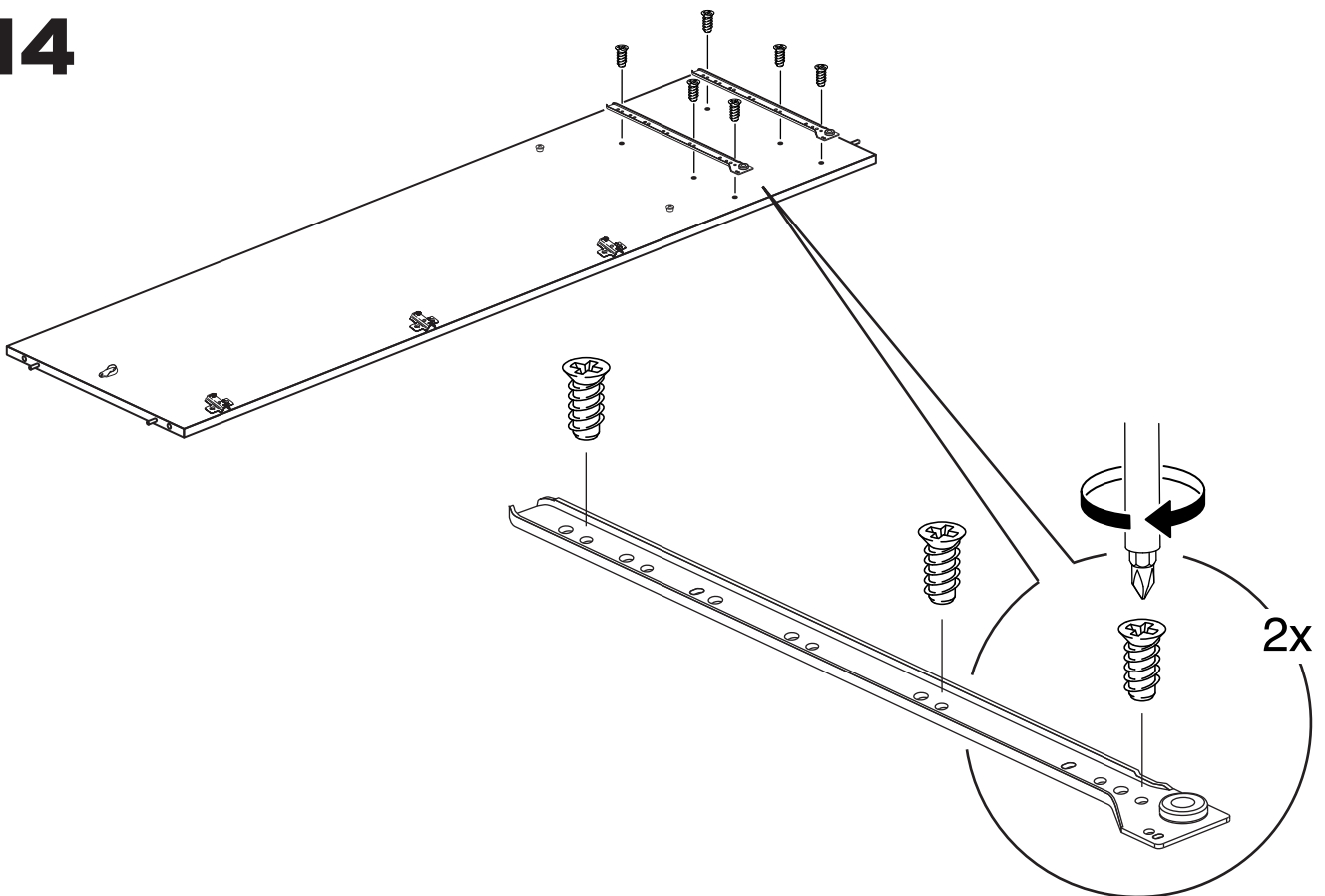
12



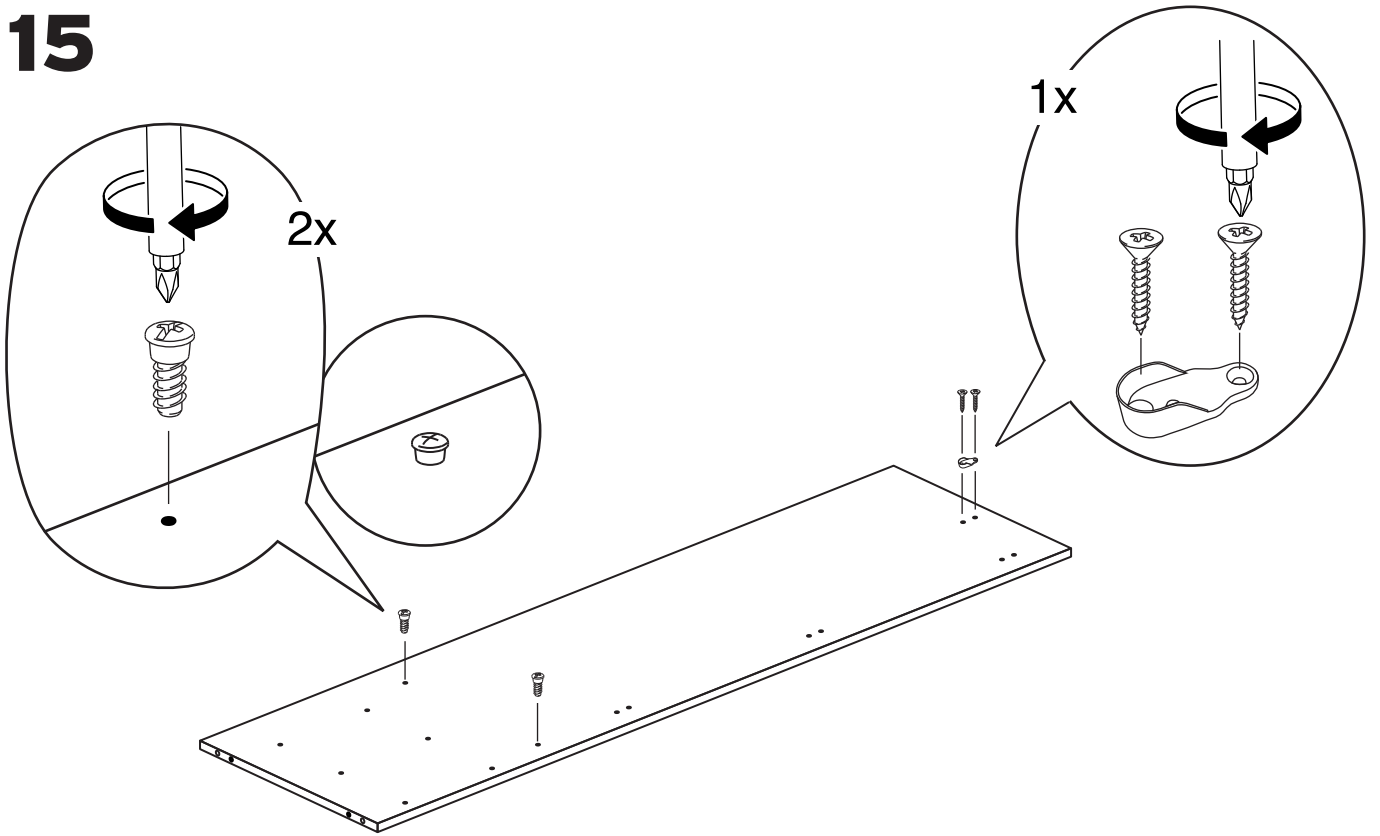
13



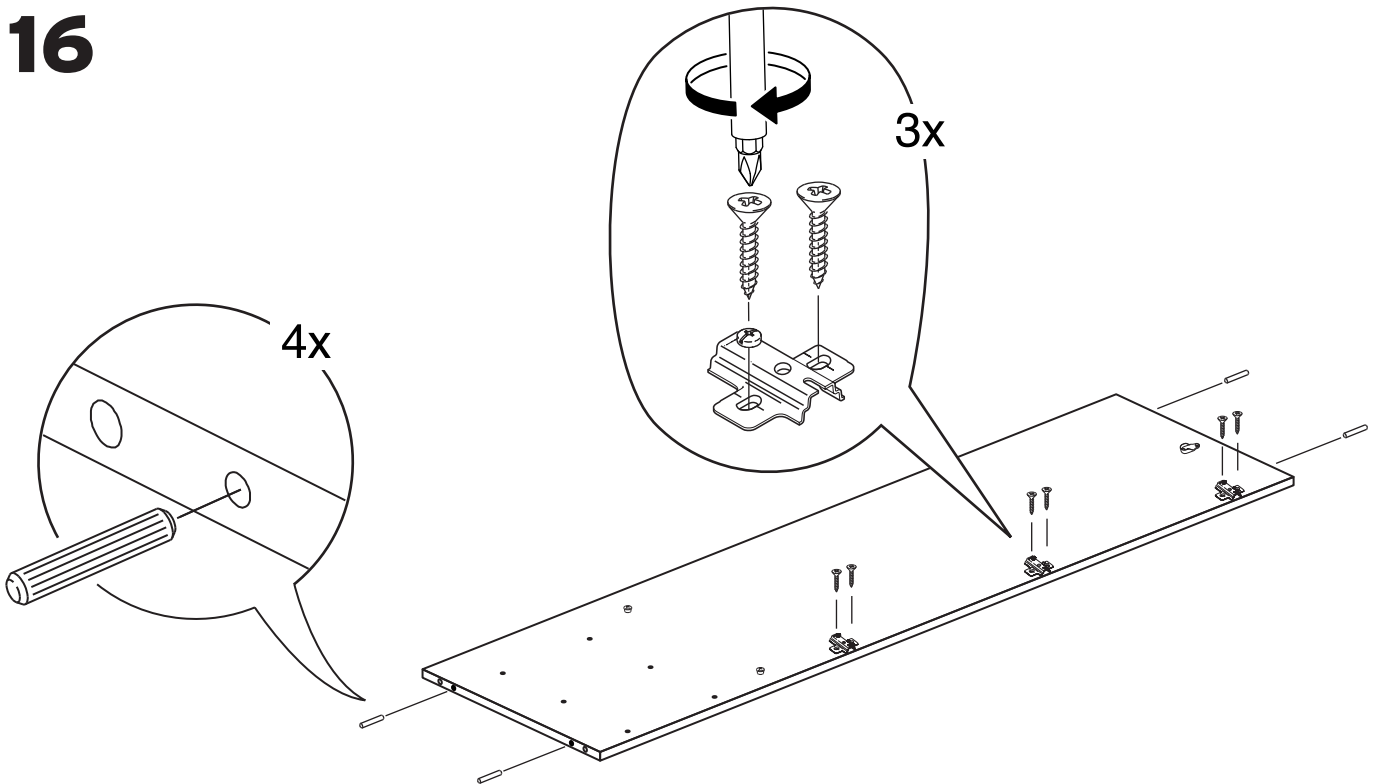
14



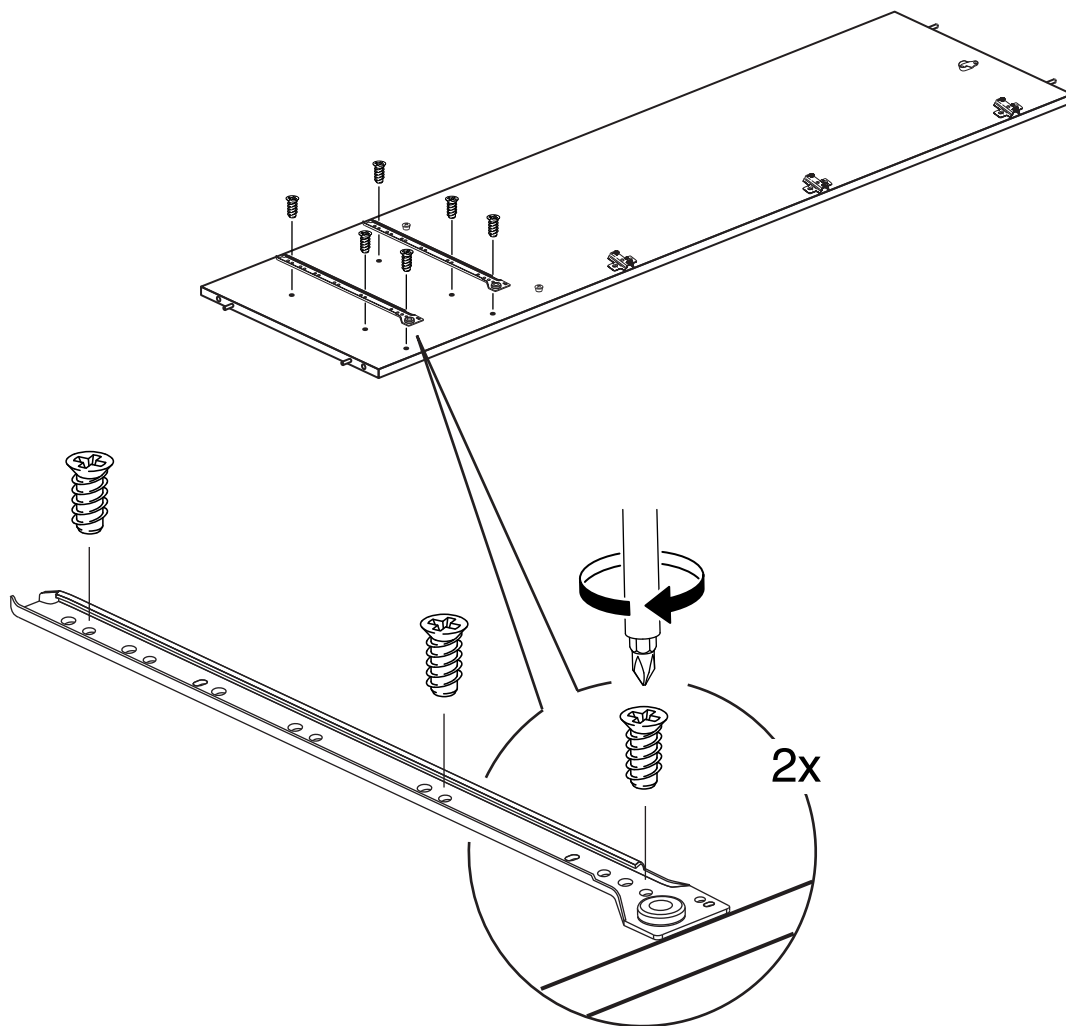
15



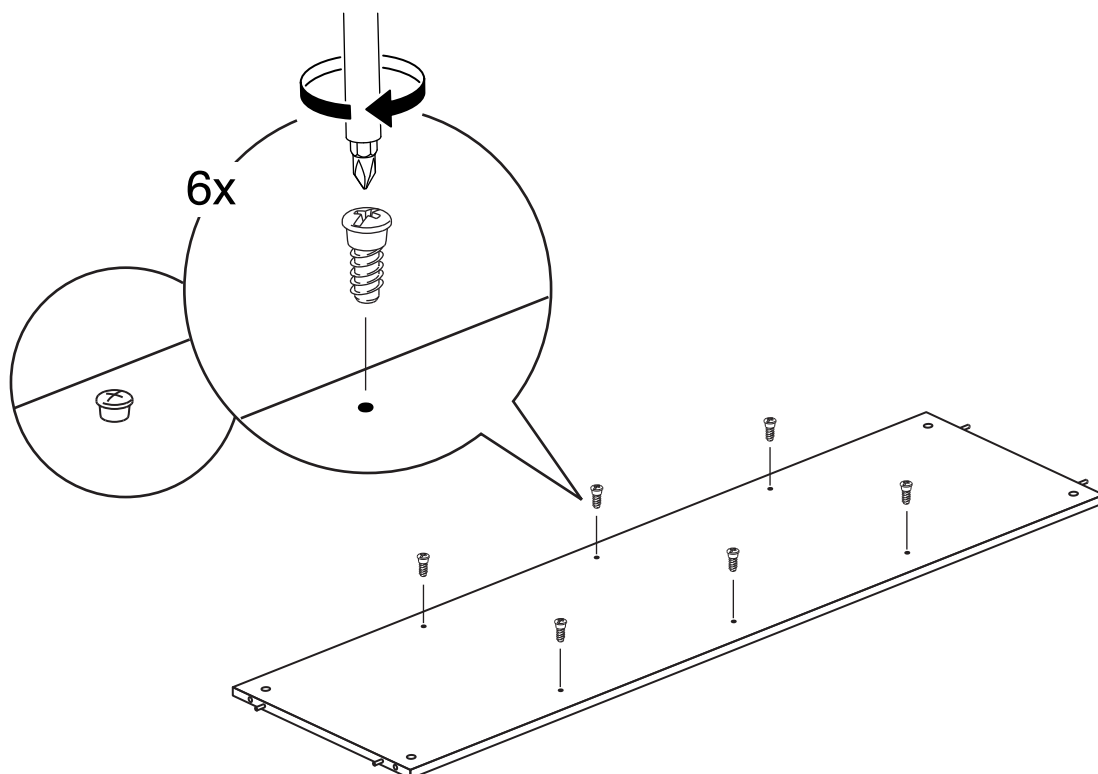
16



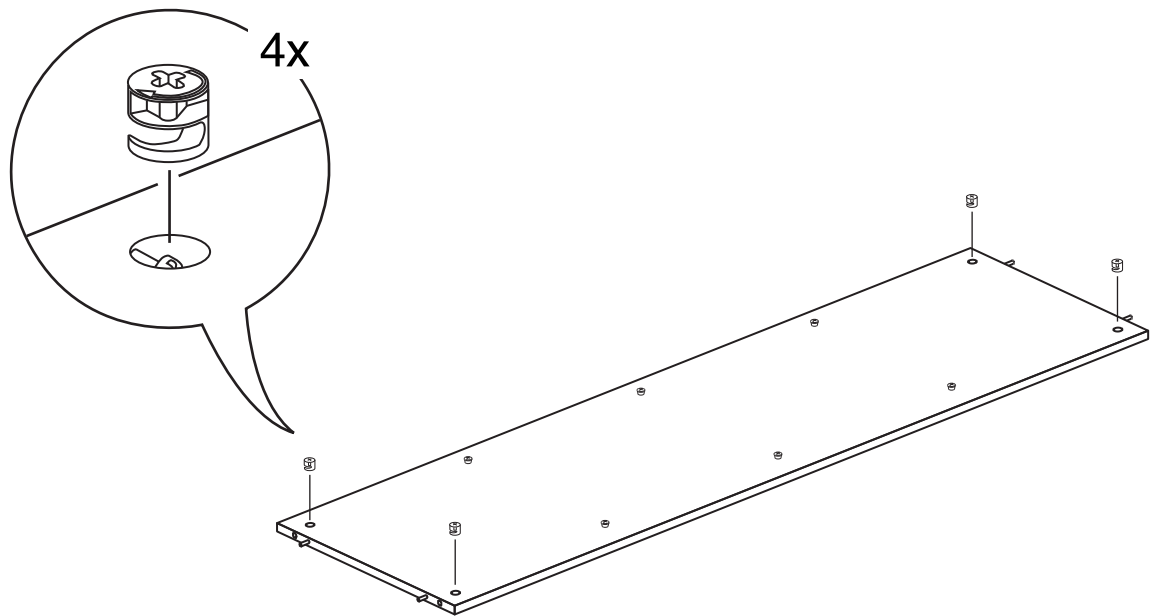
17



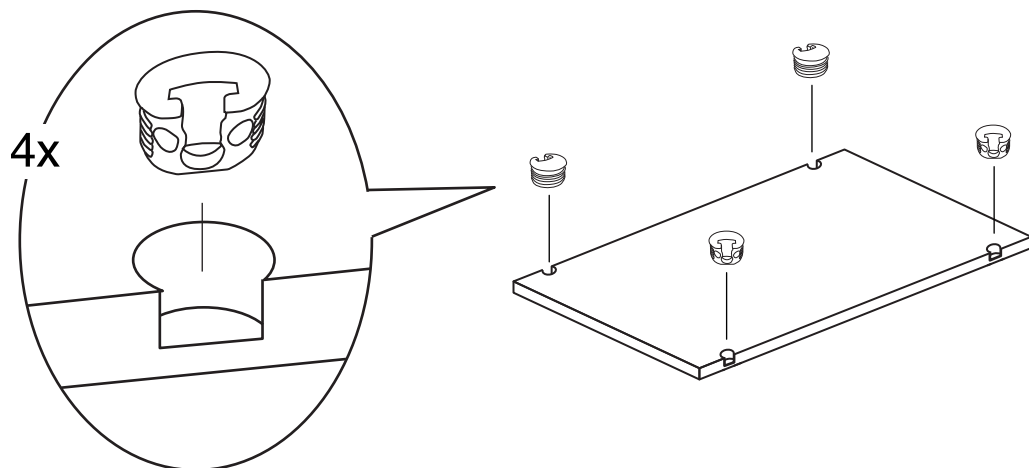
18



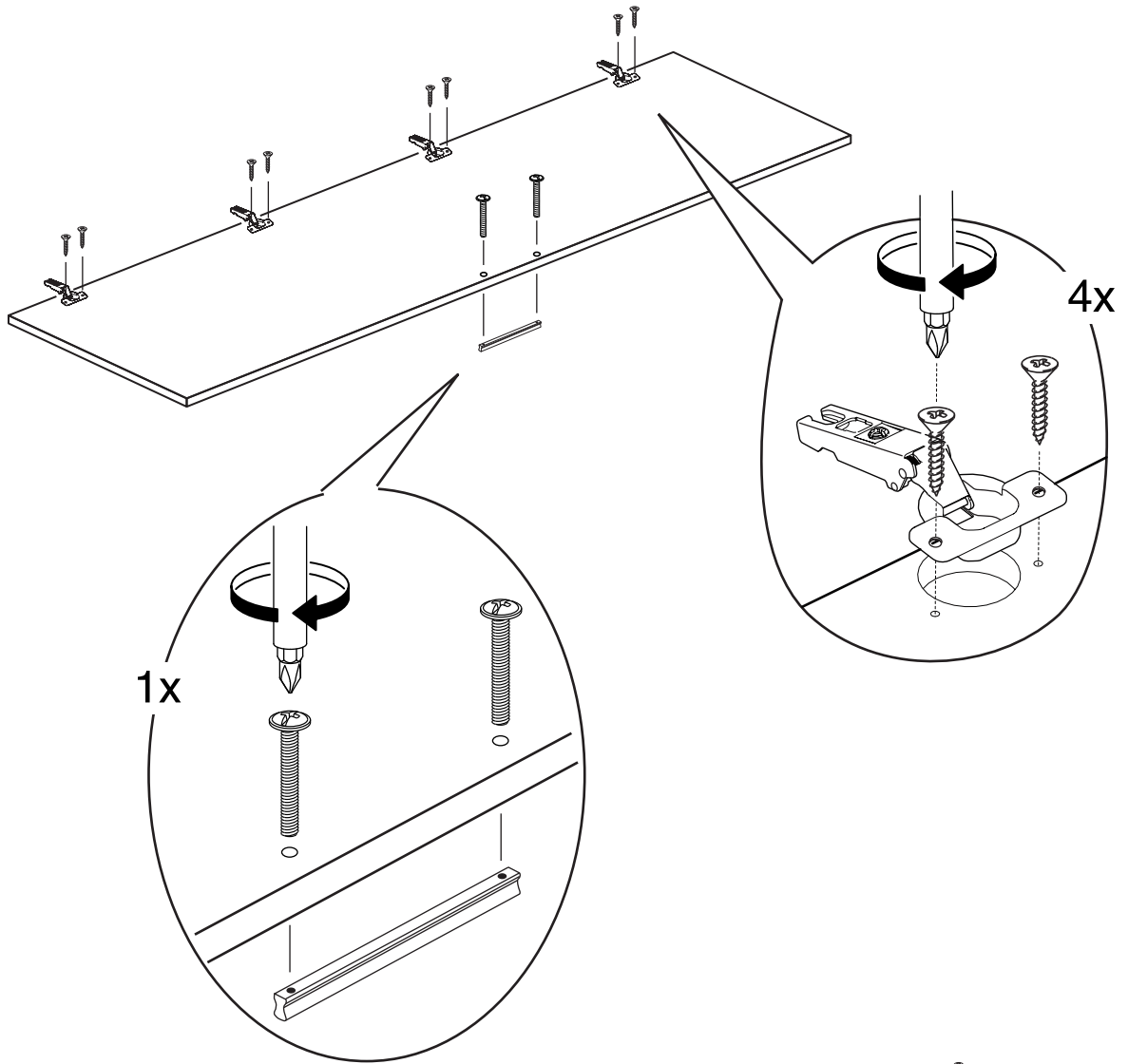
19



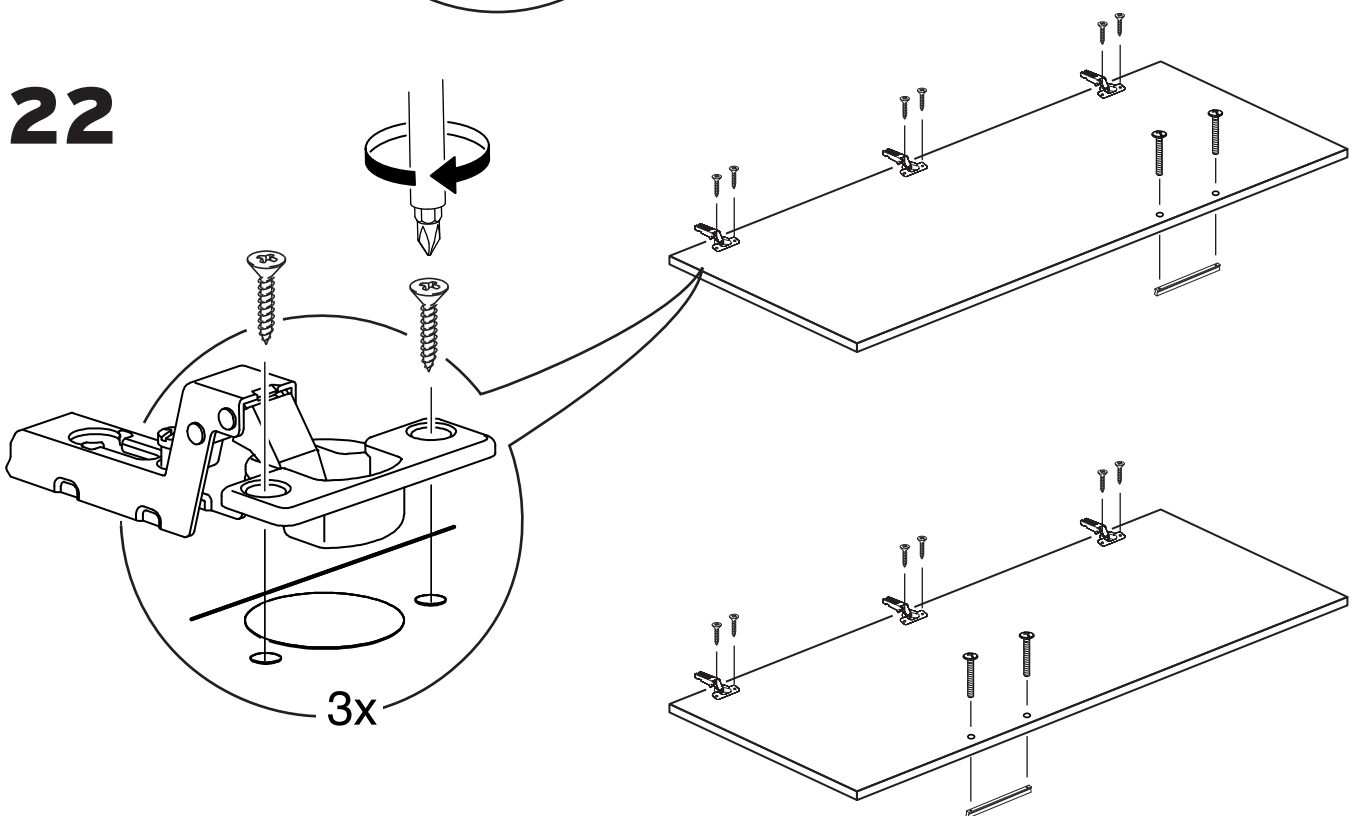
20



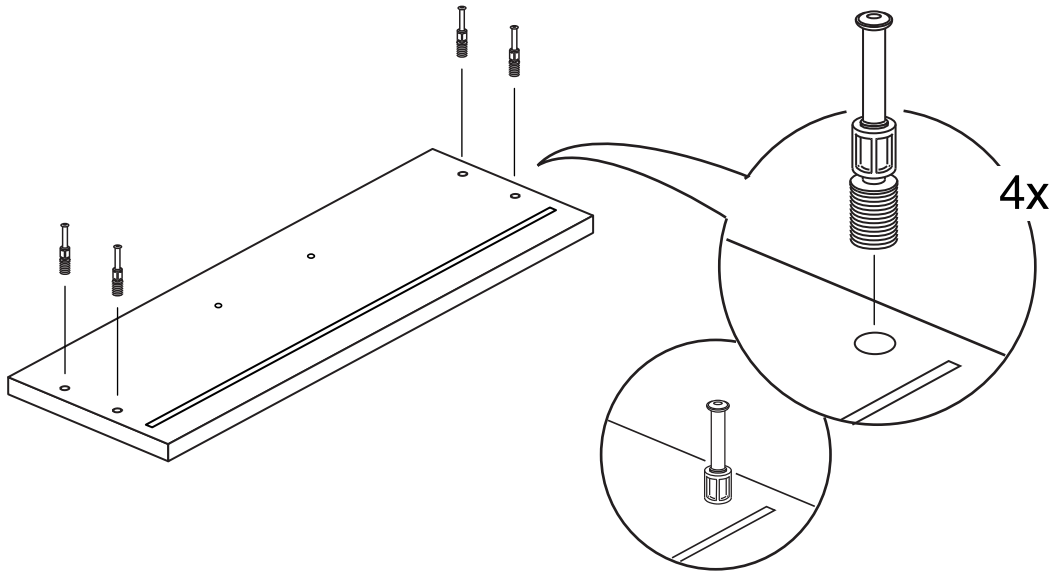
21



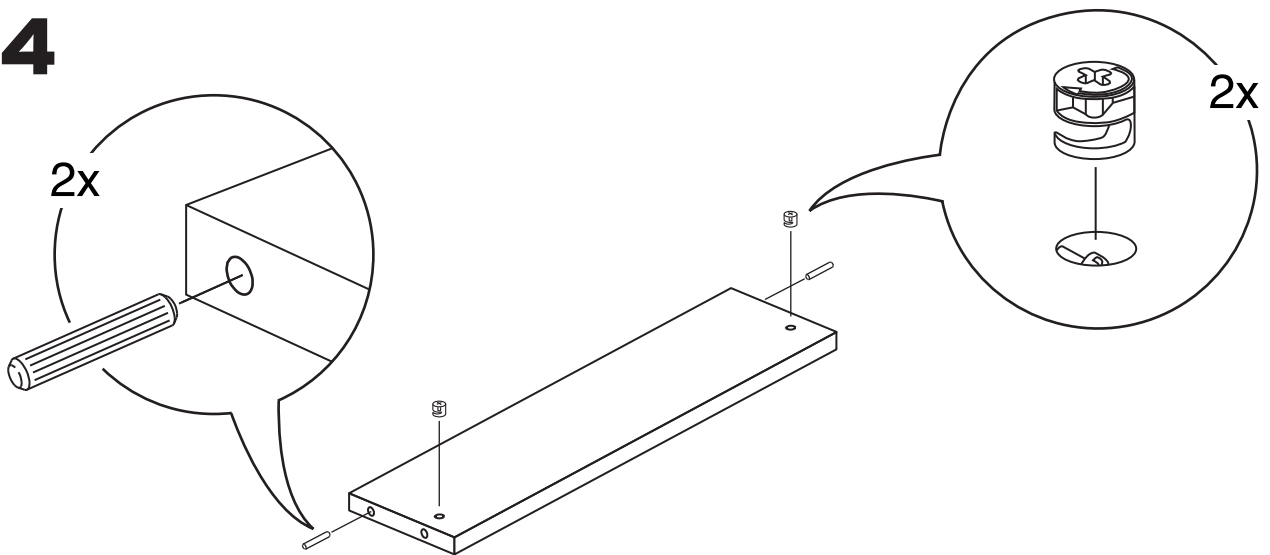
22



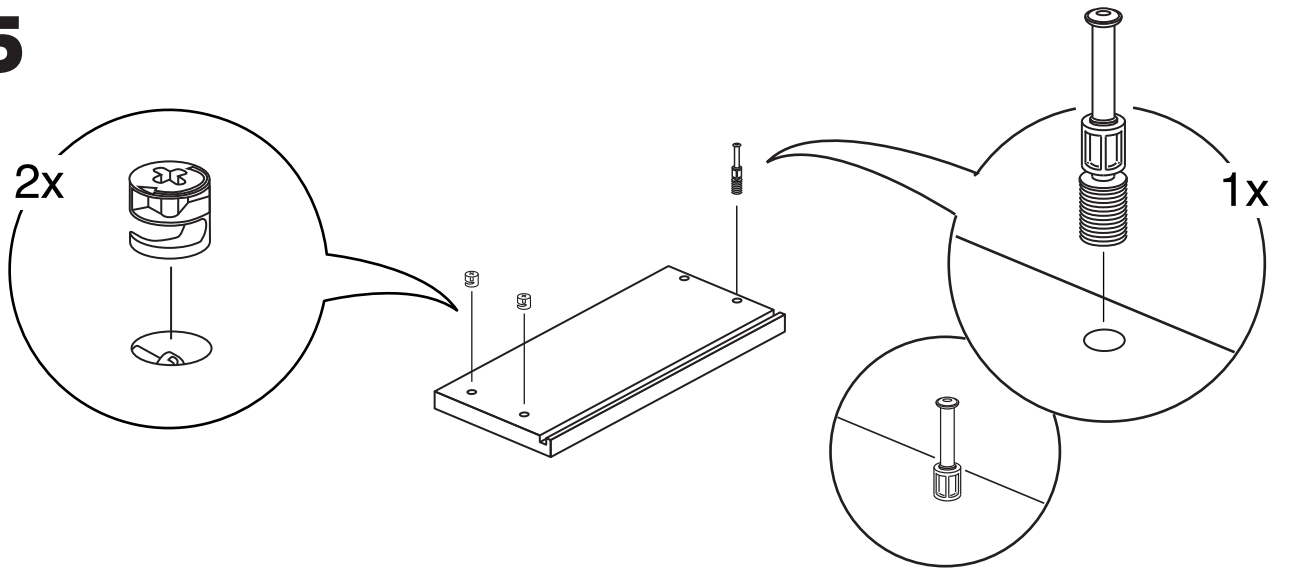
23



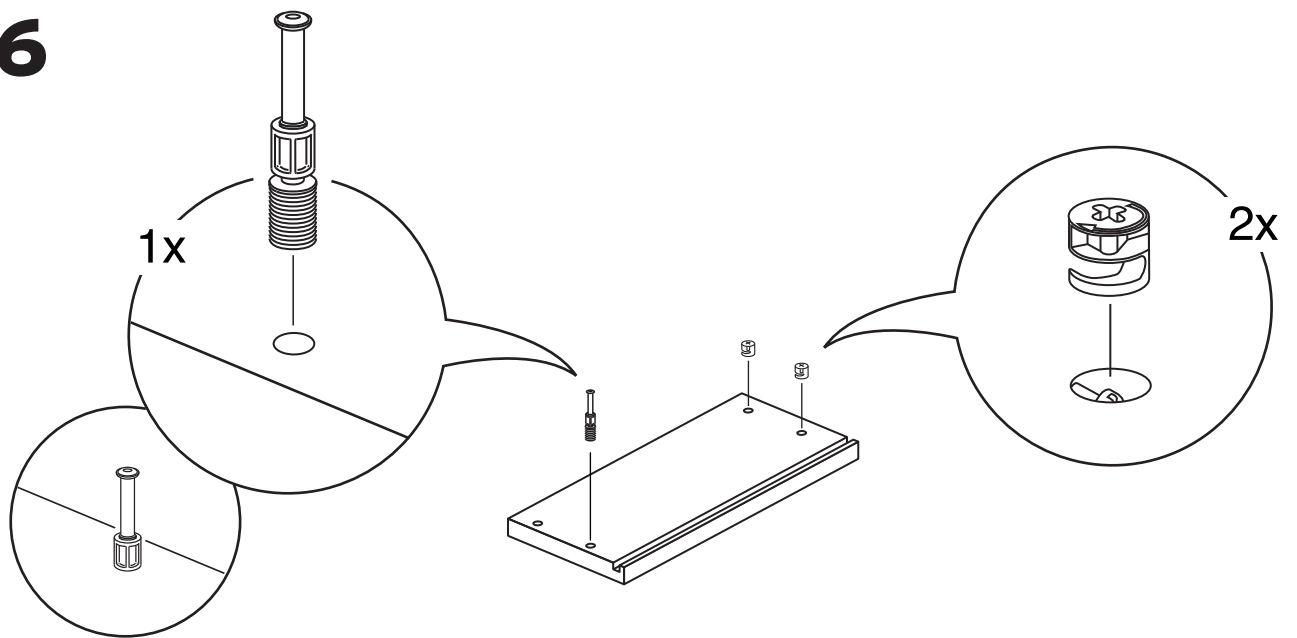
24



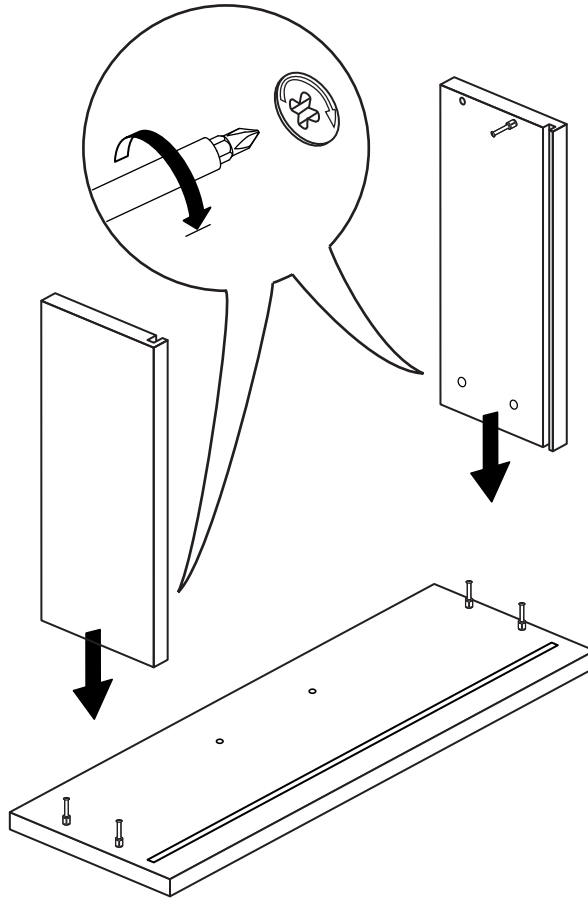
25



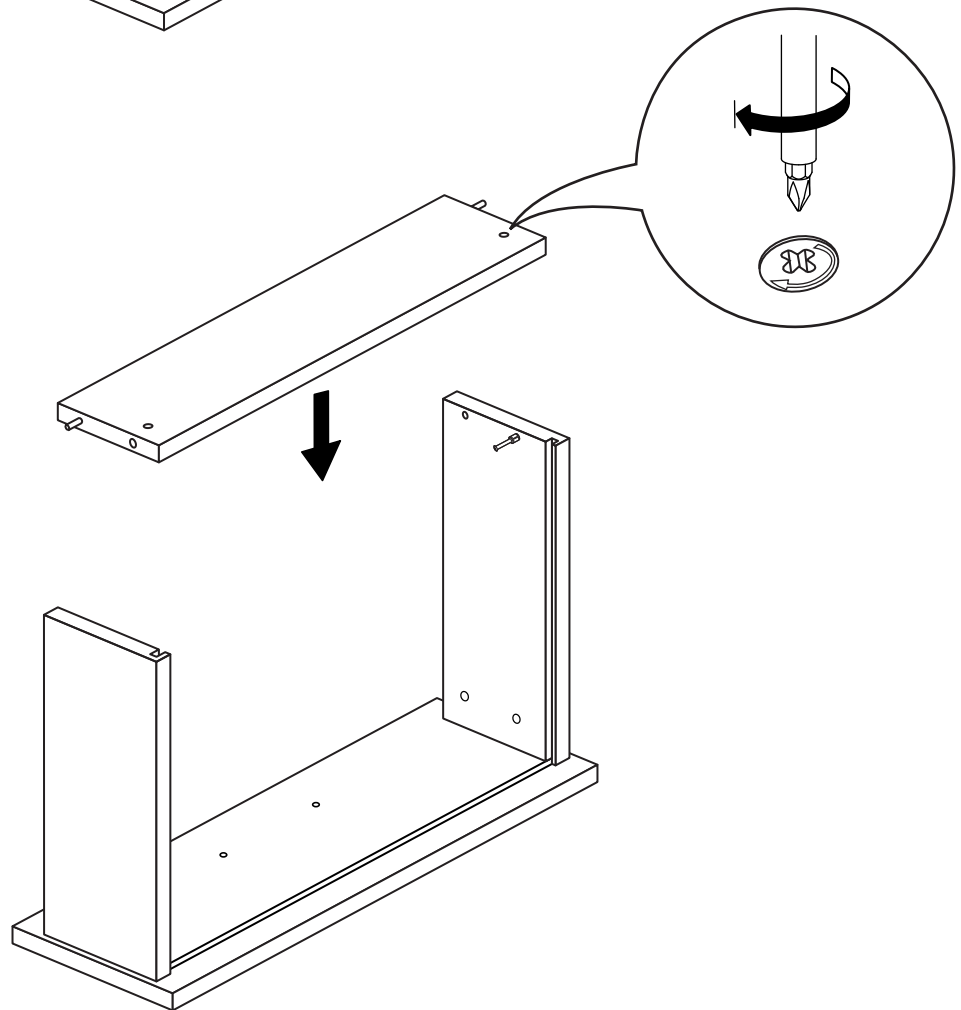
26



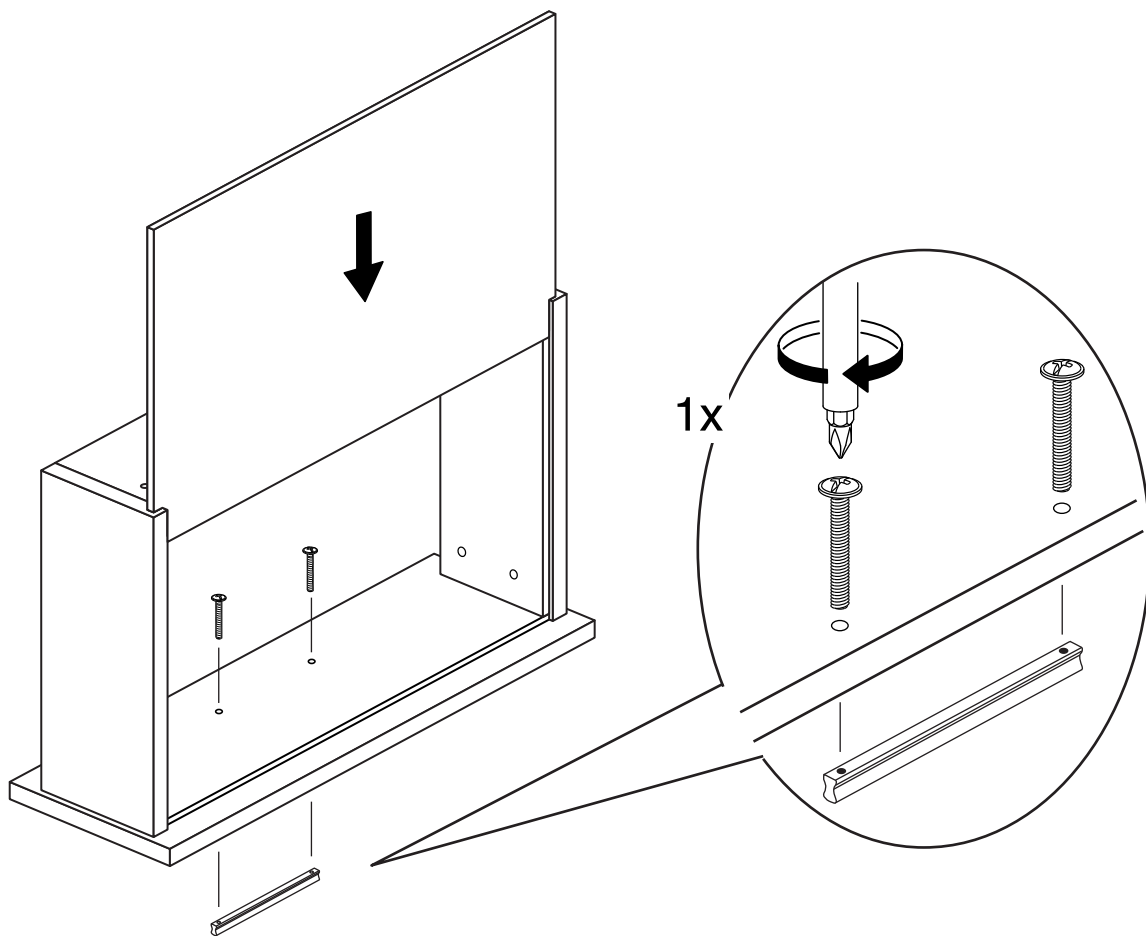
27



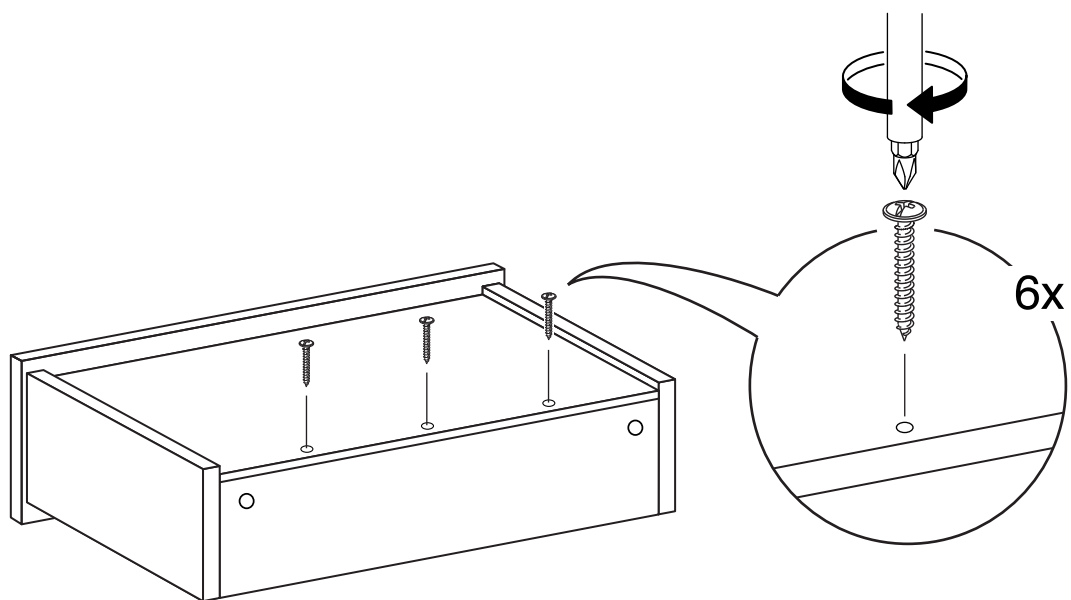
28



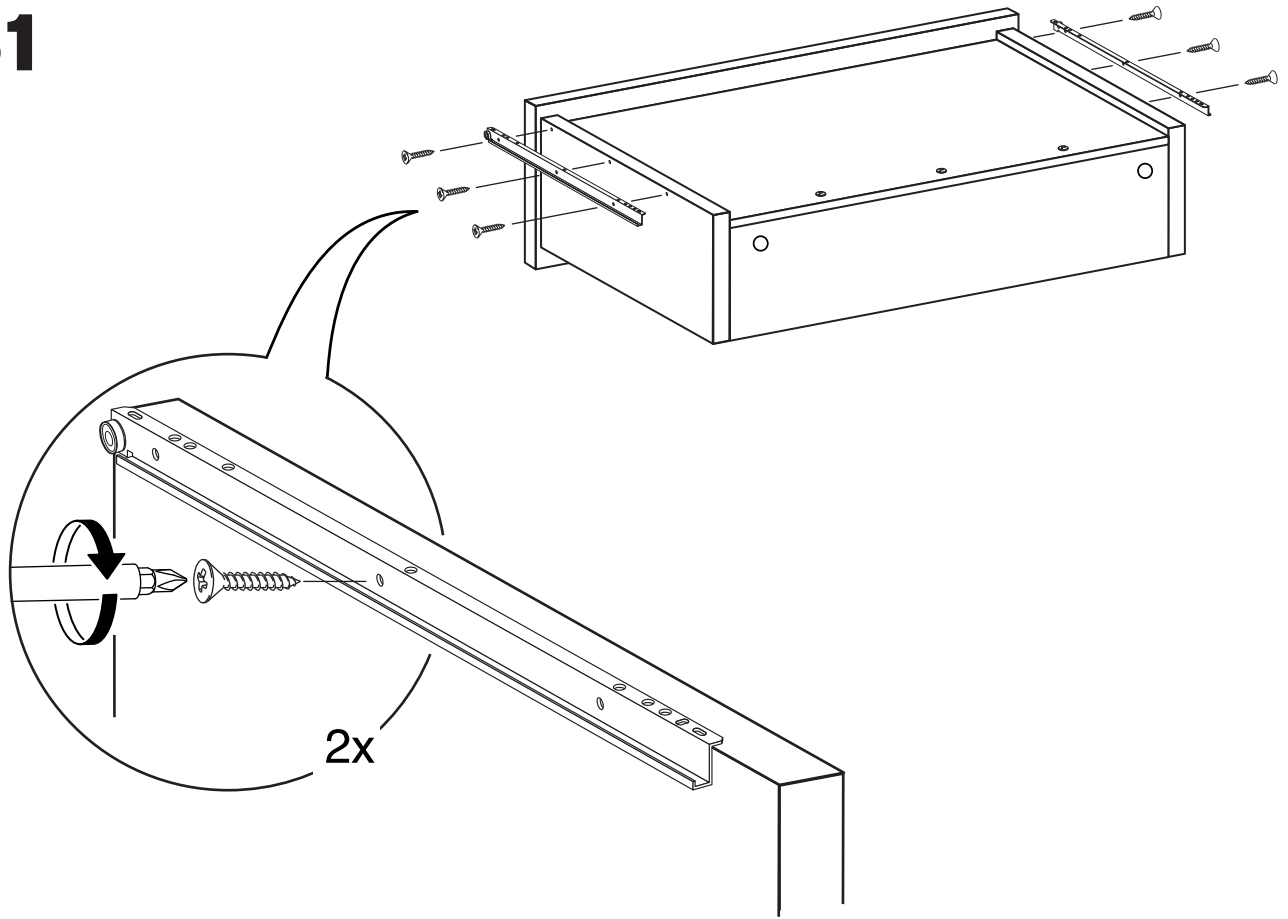
29



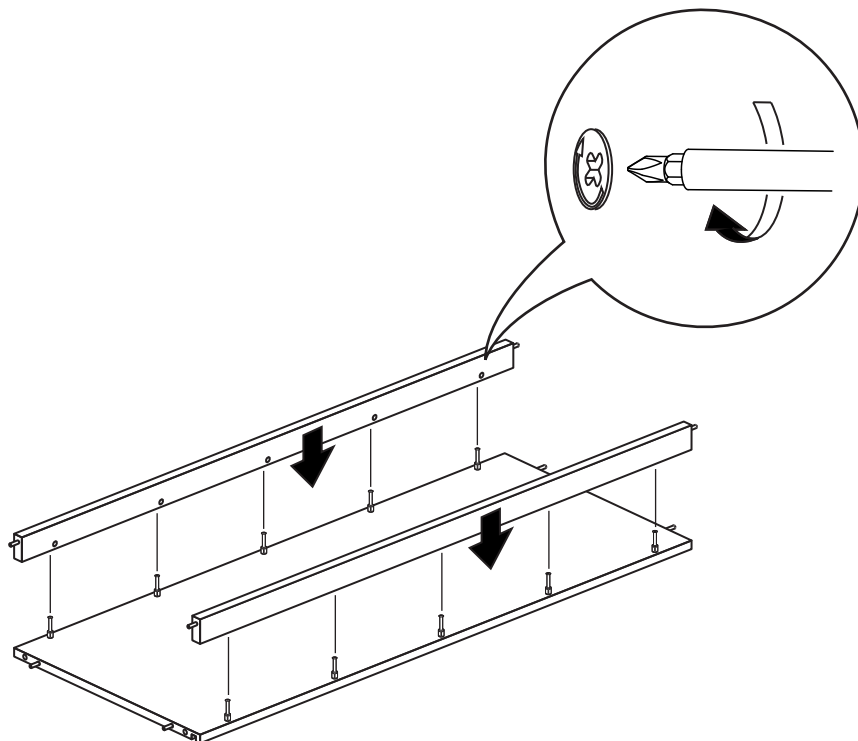
30



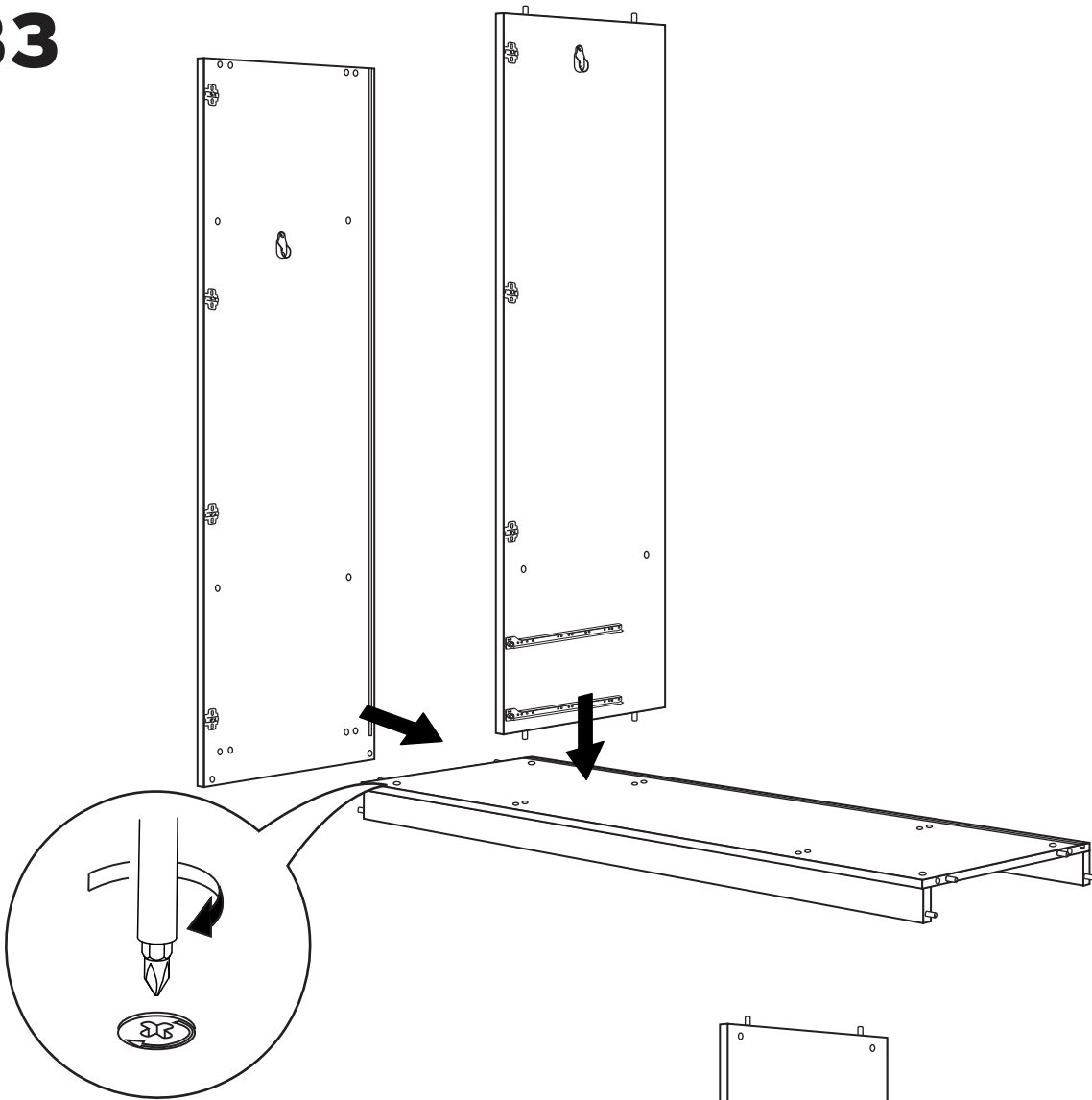
31



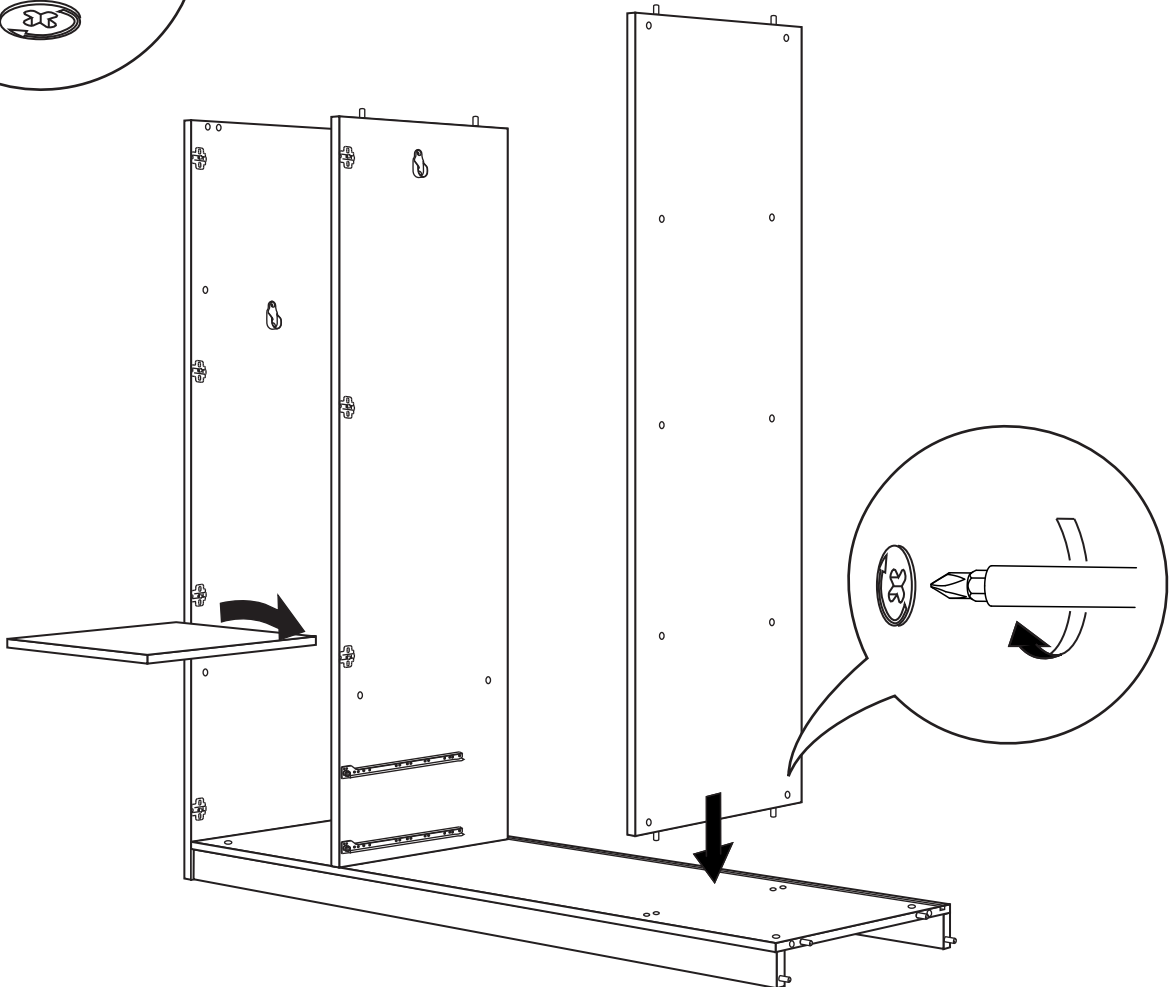
32



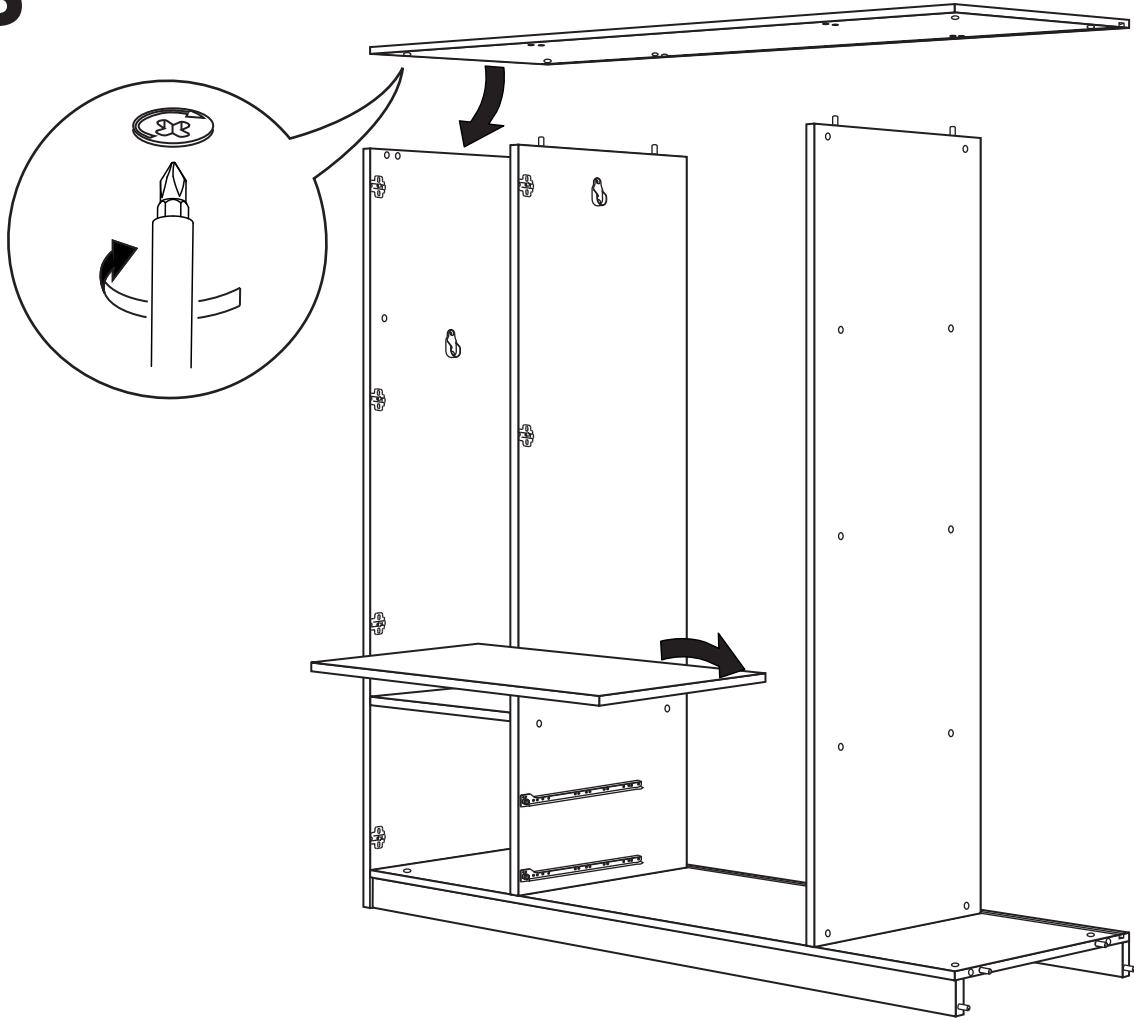
33



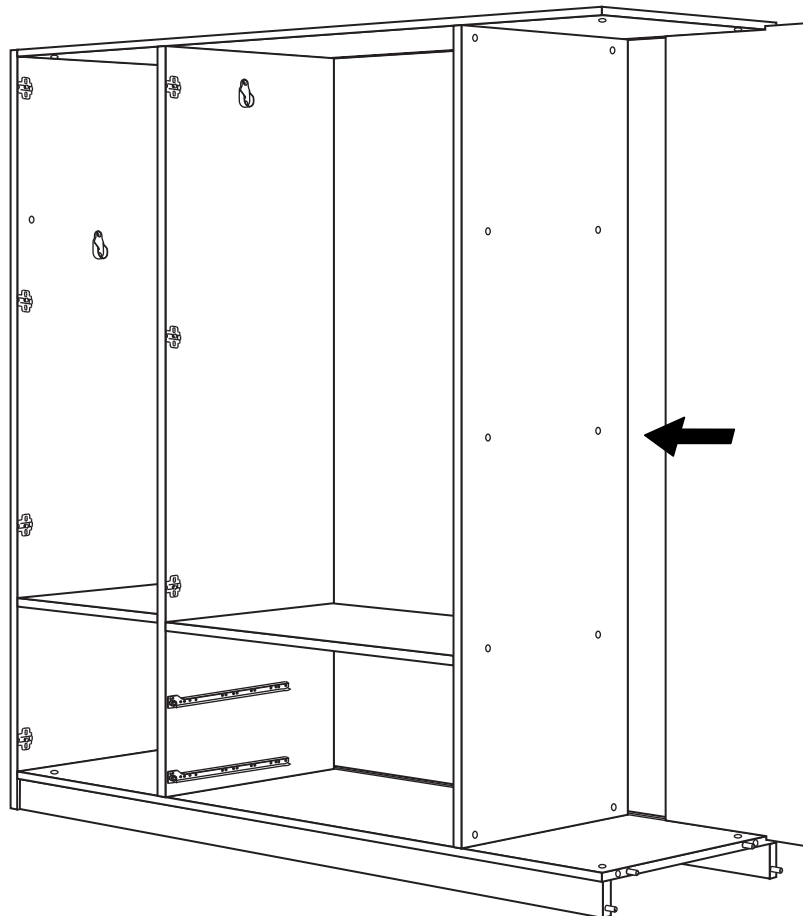
34



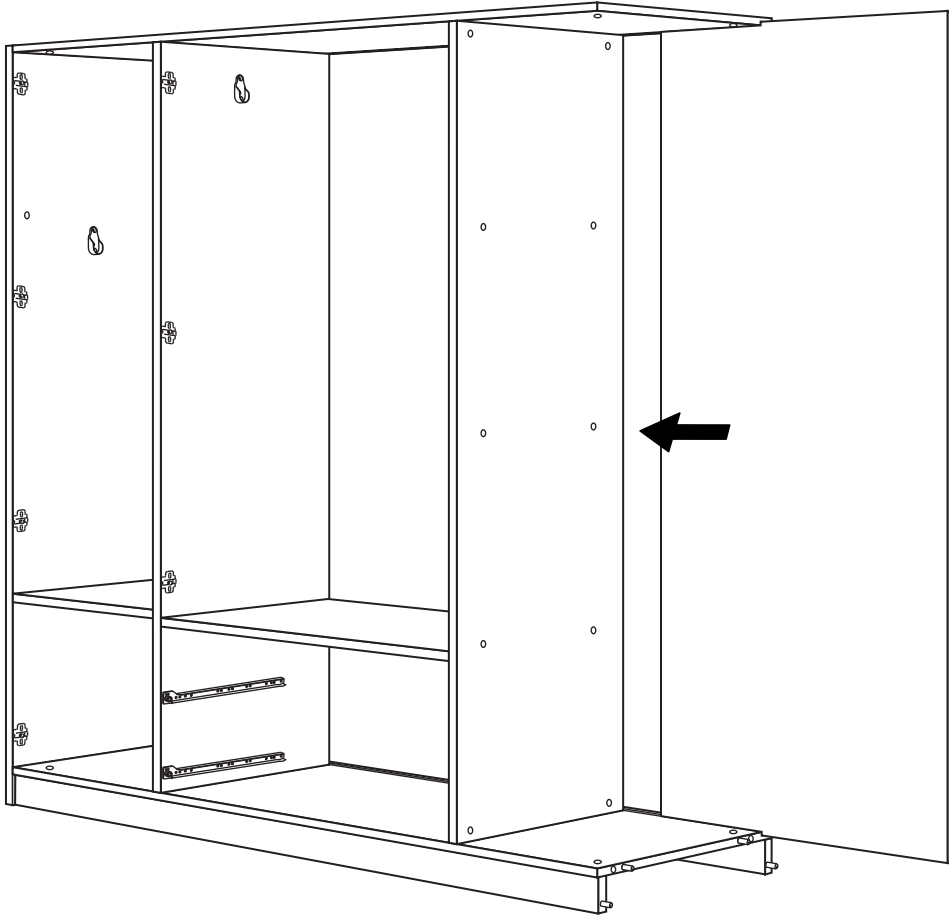
35



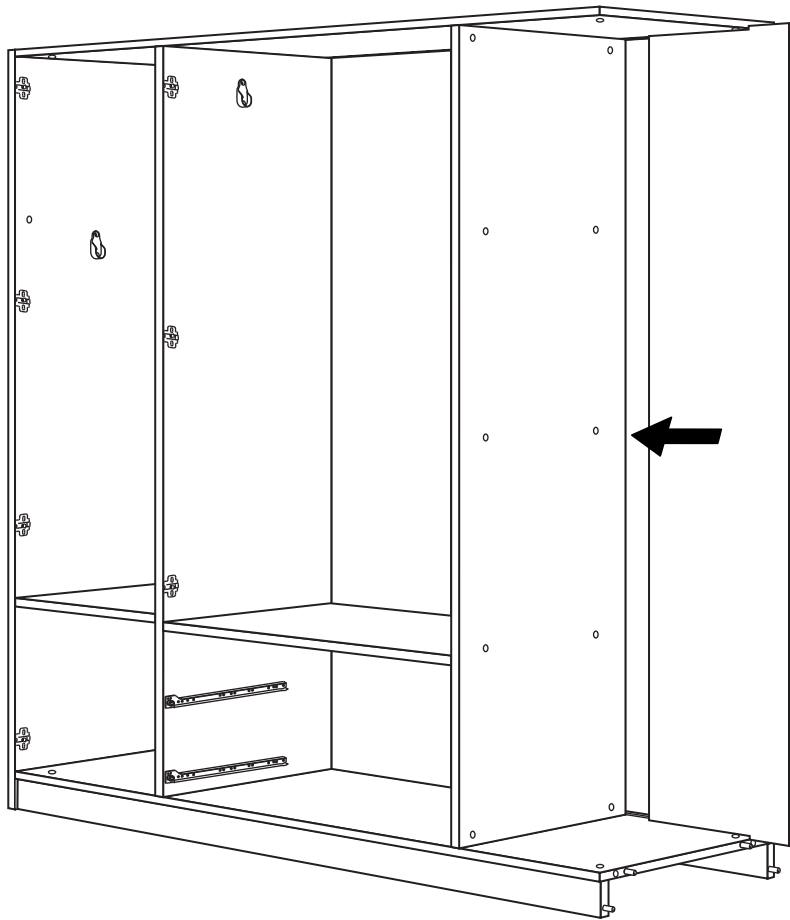
36



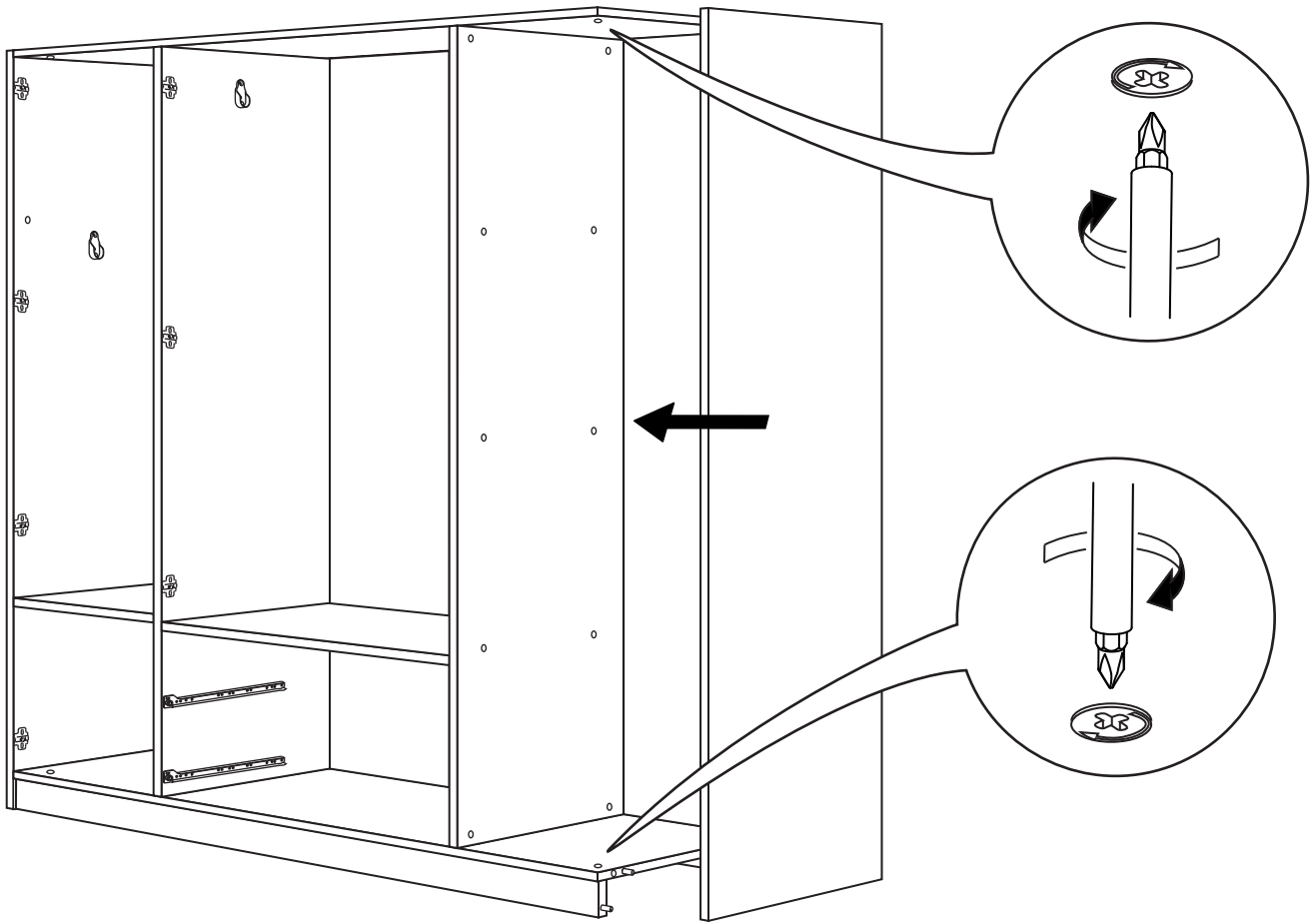
37



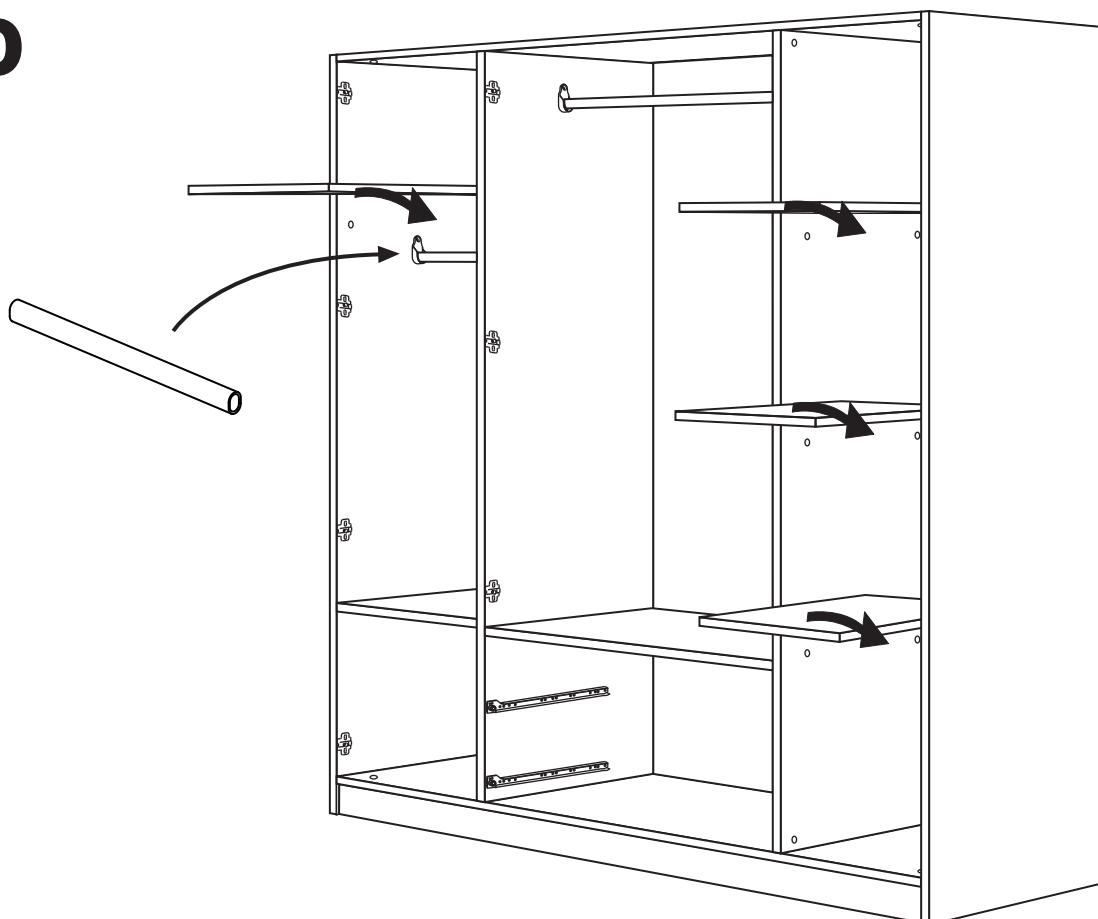
38



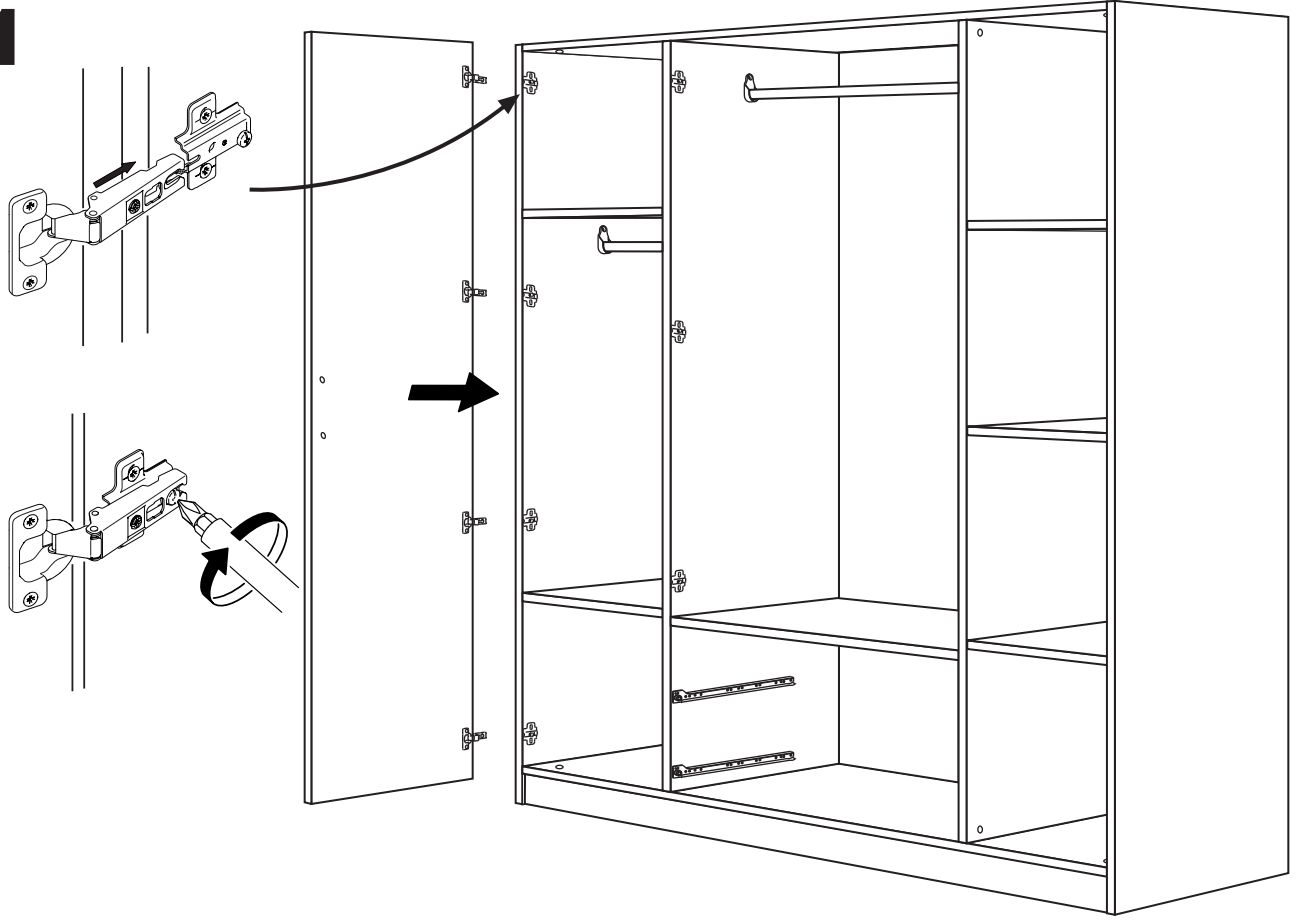
39



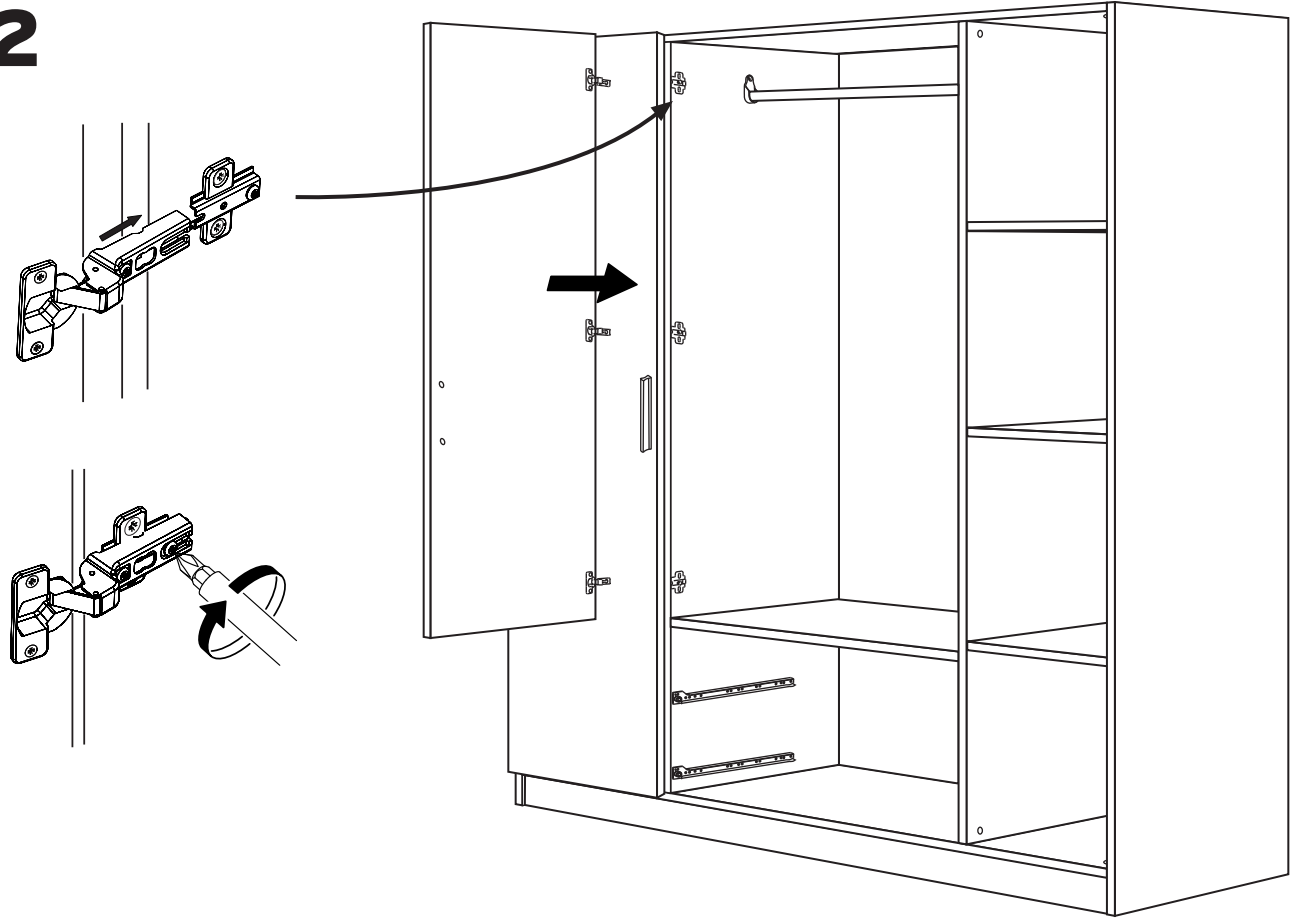
40



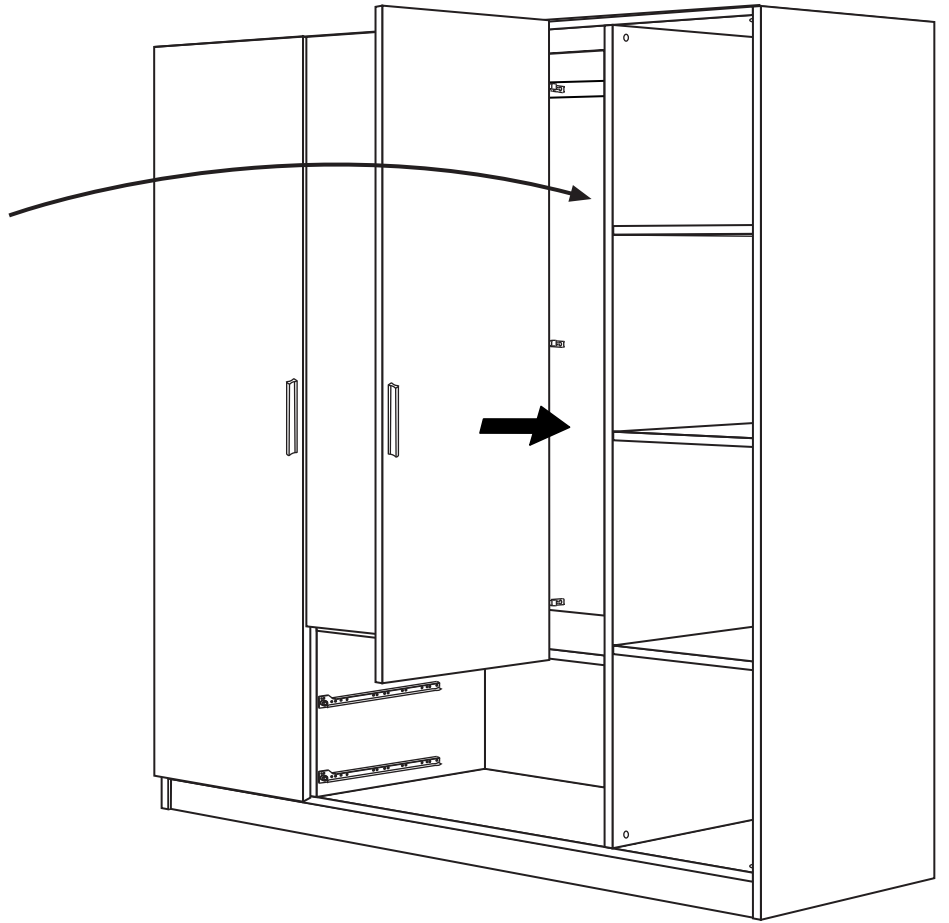
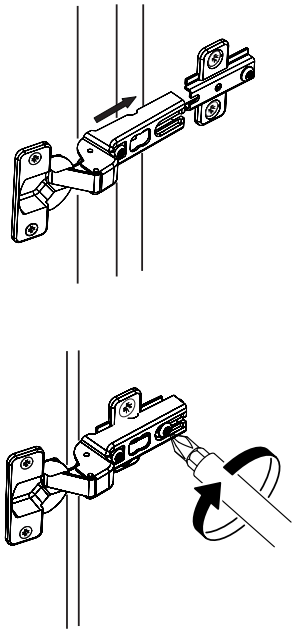
41



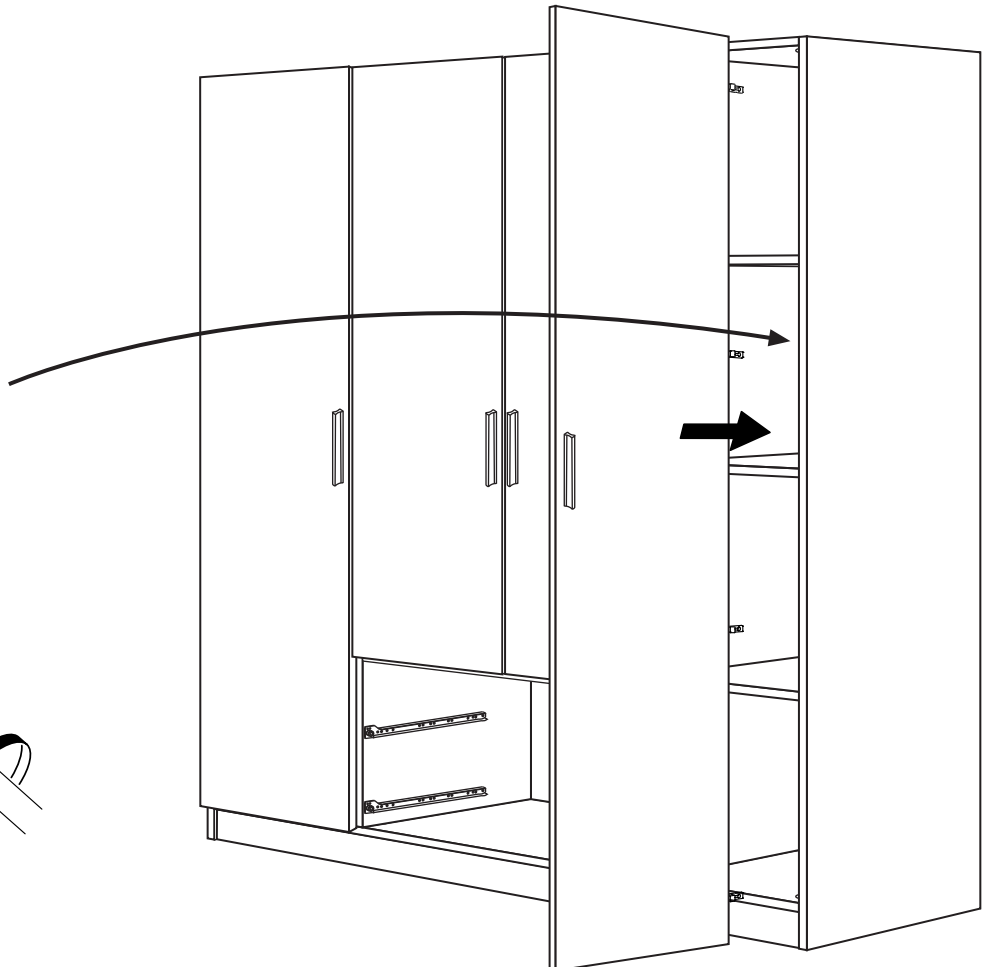
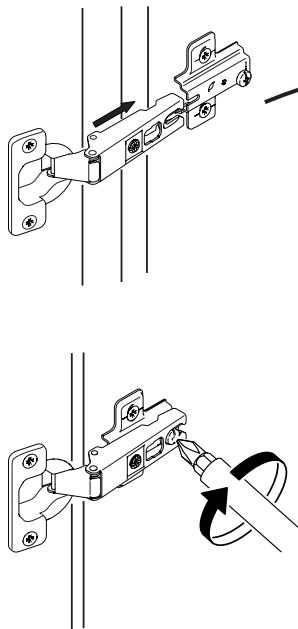
42



43



44



45

