



44 National Road  
Edison, NJ 08817  
[www.jnmfurniture.biz](http://www.jnmfurniture.biz)



SKU: 17914-GR

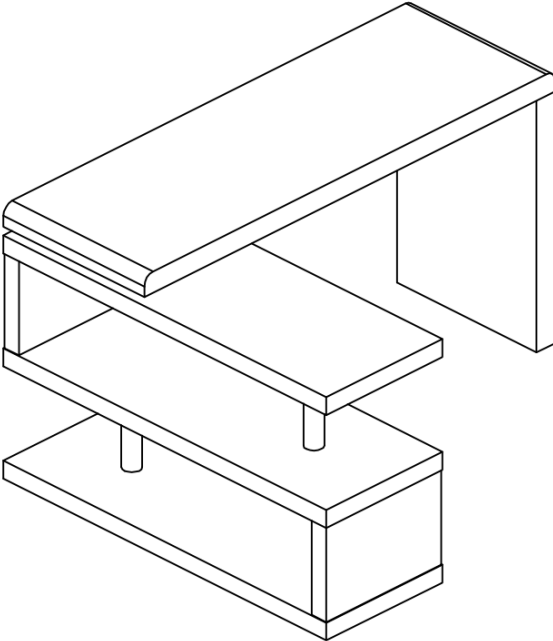
LP A33 Office Desk Grey

Crafted in a matte grey finish, the A33 modern office desk features a simplistic design that captures the eye. Equipped with an S-design bookcase, this desk is perfect for extra storage & organization.

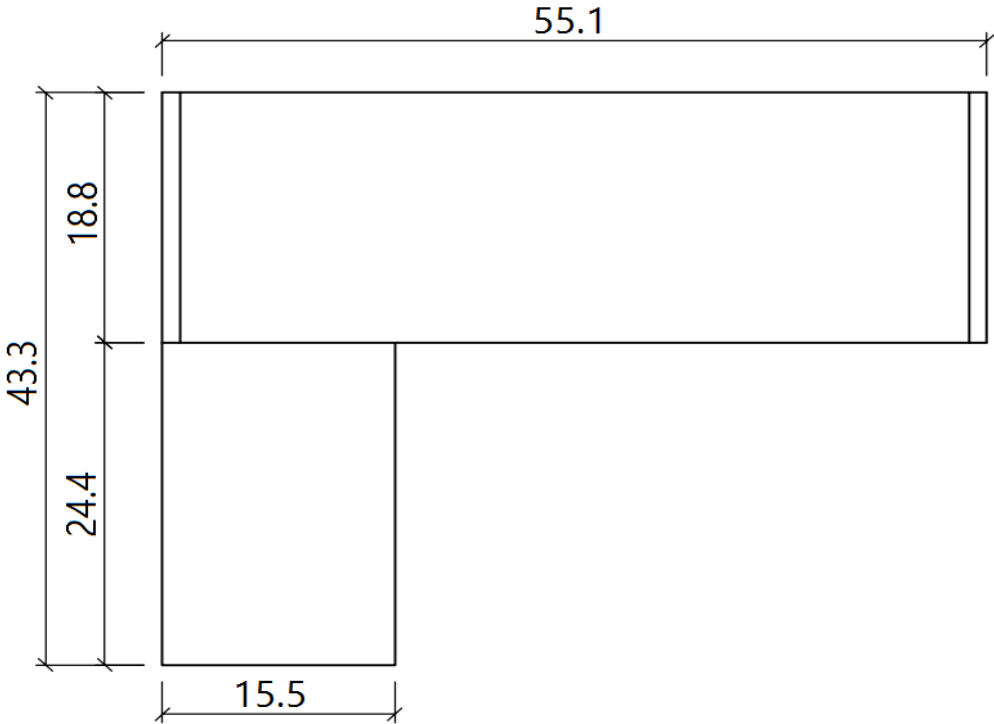
SKU: 17914-GR

Detailed Dimensions

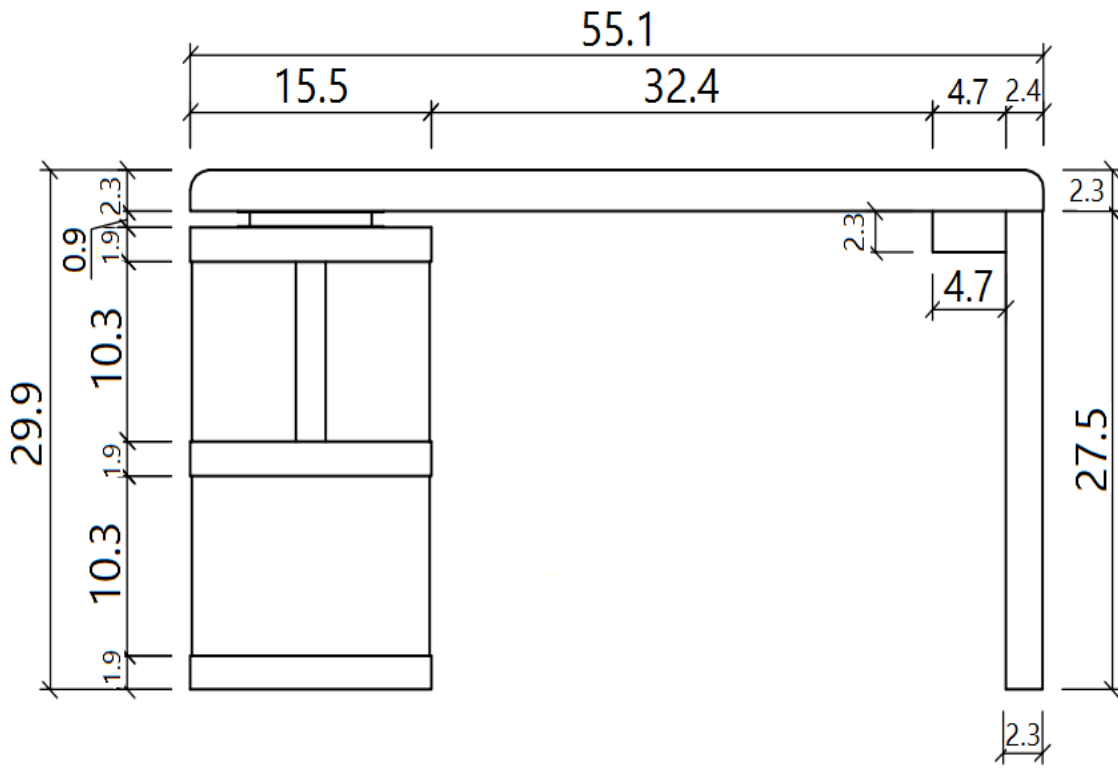
LP A33 Office Desk Grey



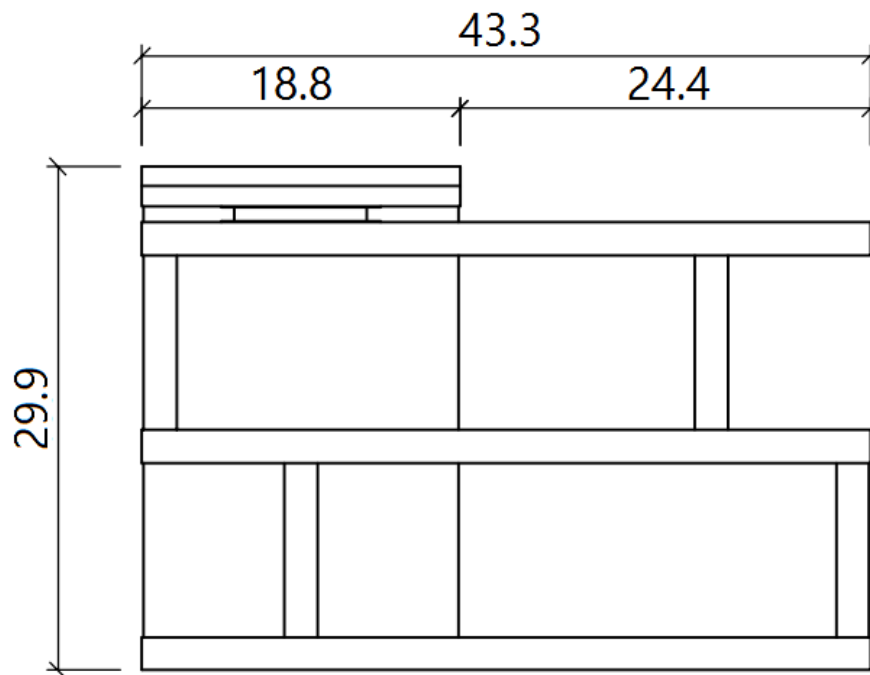
Top View



Front View



Side View











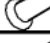




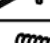



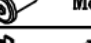
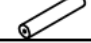

# Assembly Instruction

VERSION: A33

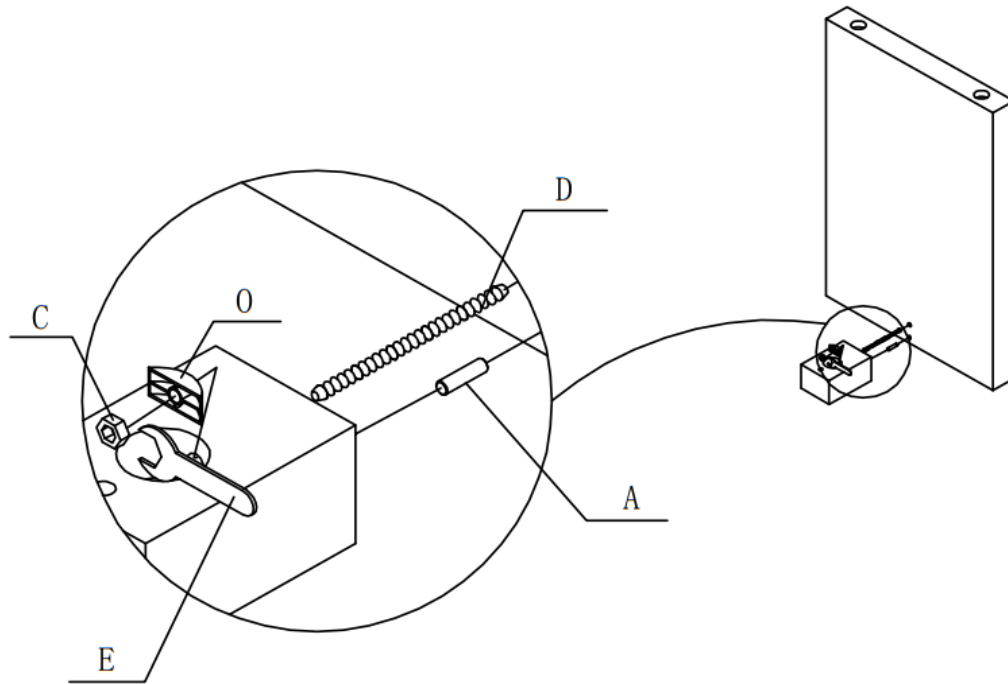
## ASSEMBLY INSTRUCTION

SETTING FITTINGS

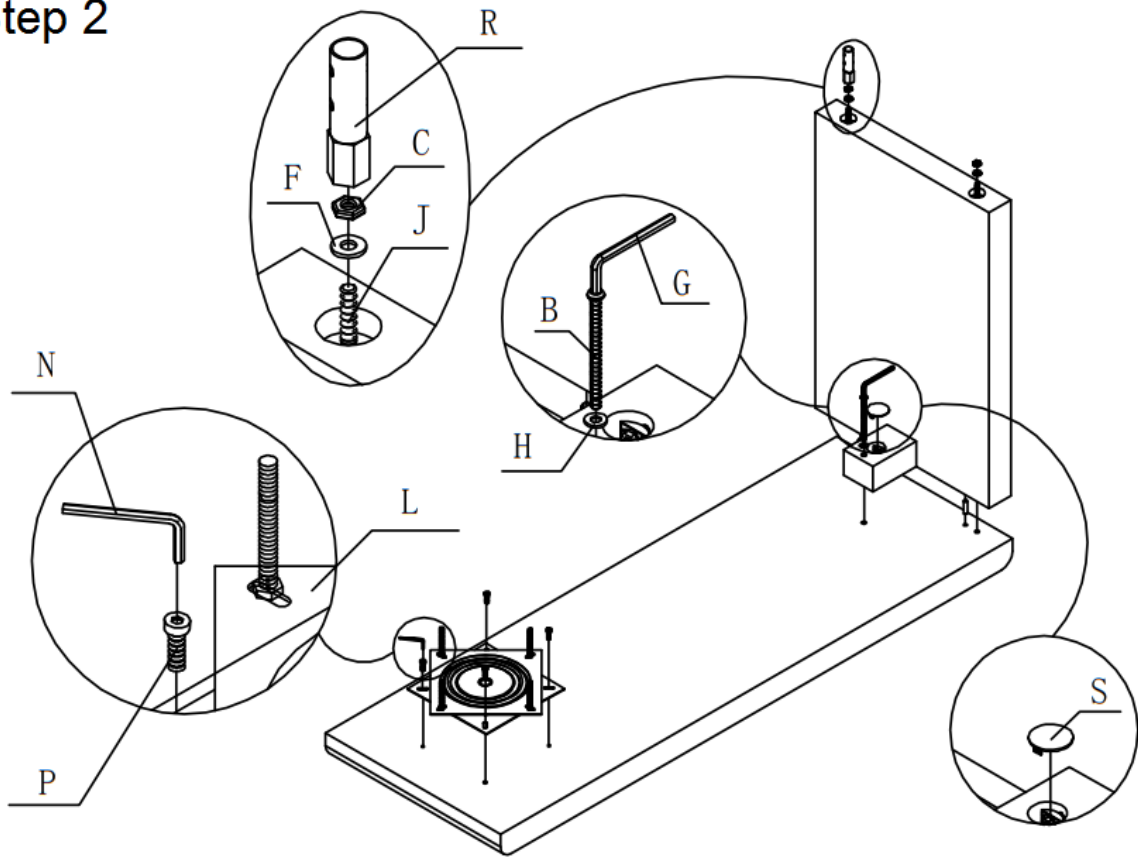
DR-A33-01-A

FITTINGS	SPEC.	AMOUNT	FITTINGS	SPEC.	AMOUNT
A	 $\Phi 8 \times 30$	11pcs	B	 M8x80	1pcs
C	 M8	3pcs	D	 M8x95	1pcs
E	 14mm	1pcs	F	 $\Phi 20 \times \Phi 10 \times 2$	2pcs
G	 6mm	1pcs	H	 $\Phi 17 \times \Phi 8 \times 2$	1pcs
I	 M6	4pcs	J	 M8x720	2pcs
K	 M8x330	6pcs	L		1pcs
M	 5mm	1pcs			
N	 4mm	1pcs			
P	 M6x20	4pcs	O		1pcs
R	 14mm	1pcs	Q	 M8x18	6pcs
T	 $\Phi 50 \times 263$	2pcs	S	 $\Phi 38$	1pcs

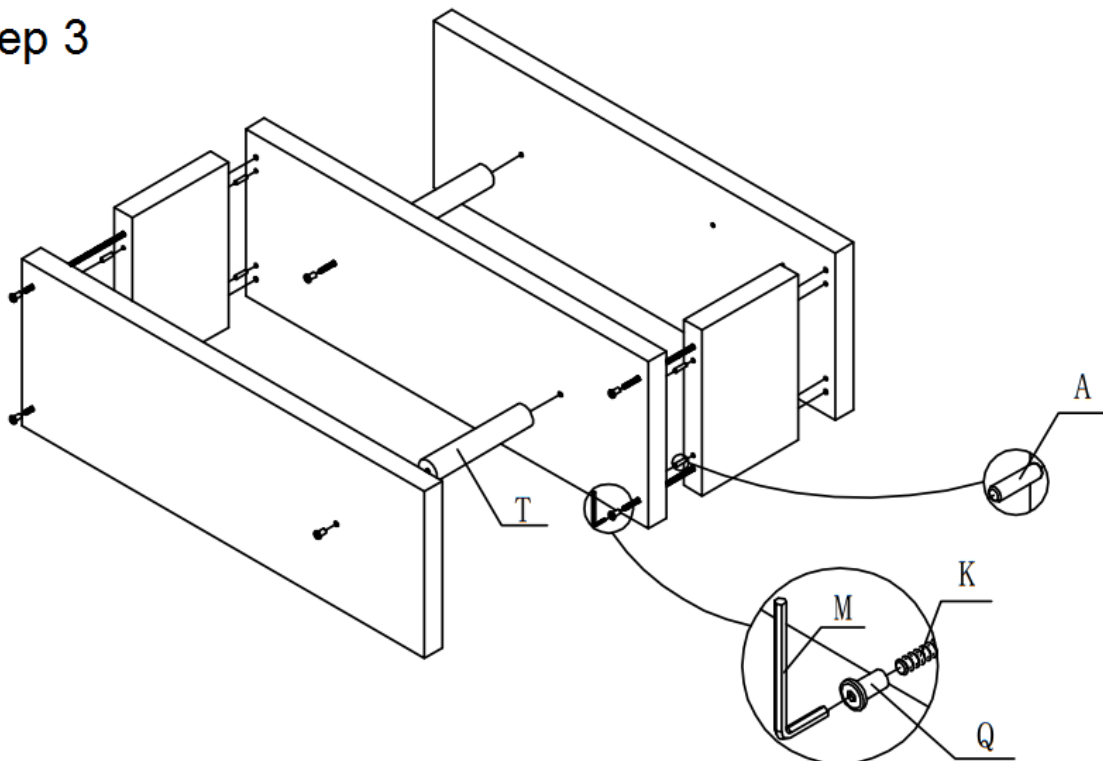
### Step 1



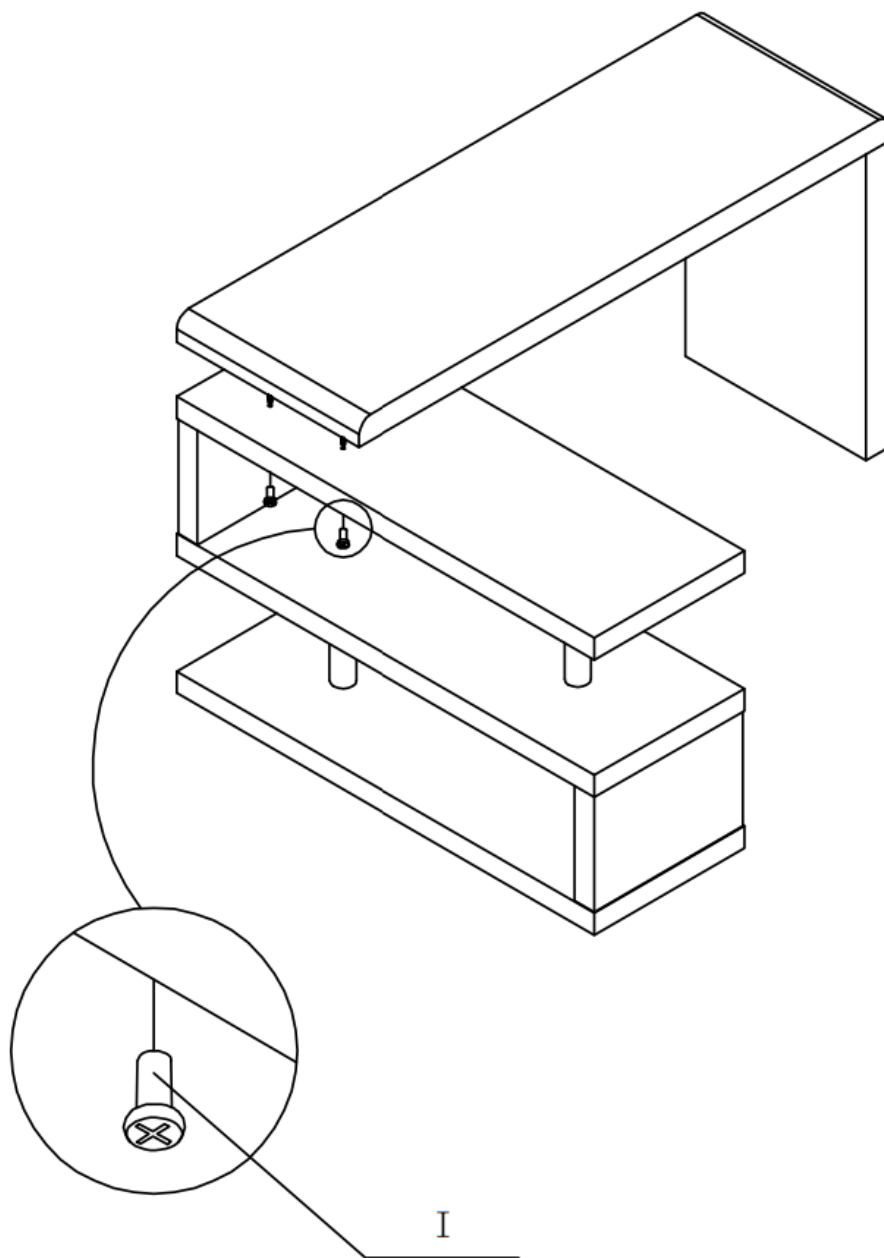
## Step 2



## Step 3



# Step 4 (Final Step)



# Finished Product

