



ASSEMBLING INSTRUCTIONS

ITEM NO: 9155GY/TP-OT

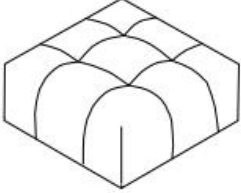


Ottoman with Caster



OT Casters and hardwares are stored at the bottom of the ottoman, please unzip the bottom seat cover and take out for assembly.

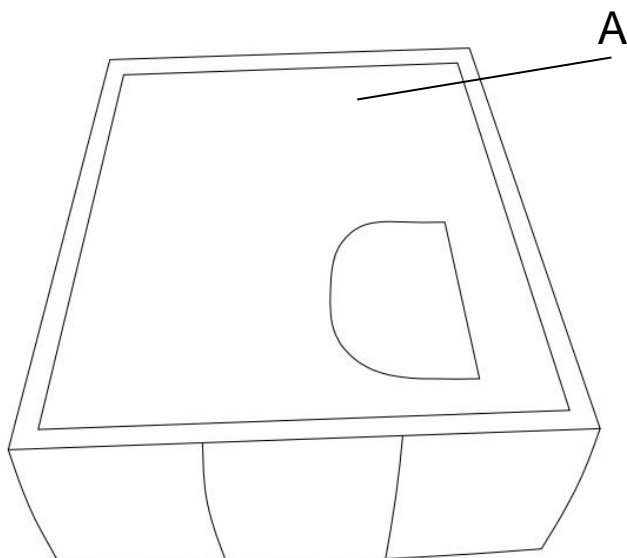
Note: Do not use power tools for assembly. Power tools increase the risk of over tightening which lead to splitting or cracking the wood.

COMPONENT LIST

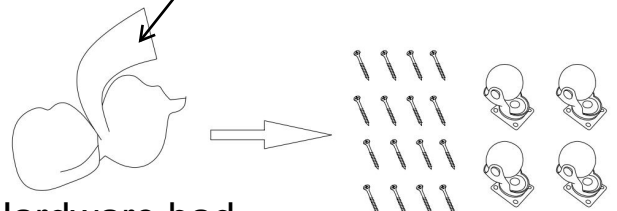
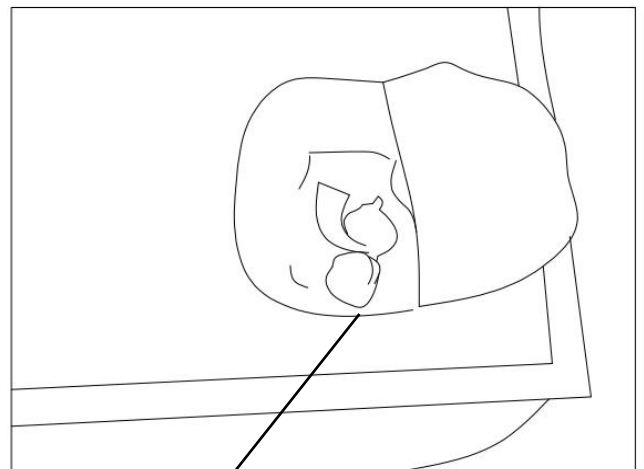
NO	DRAWING	DESCRIPTION	QTY
A		OTTOMAN	1 PC
B		CASTER	4 PCS
C		SCREW $\phi 1/4"$ x $3/4"$ L	16 PCS

STEP 1:

Open the zipper in the bottom to take out the casters and hardware for assembling.

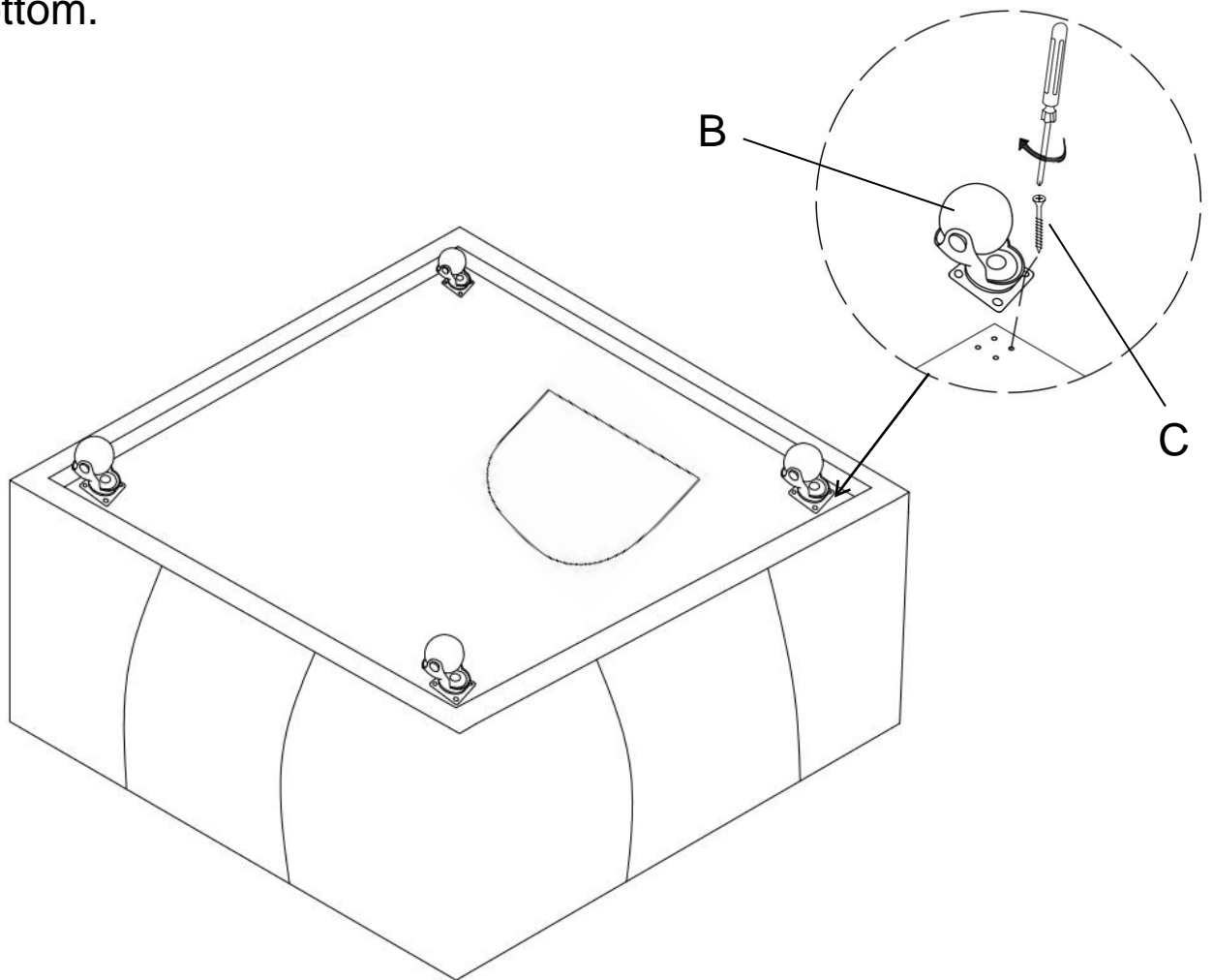


STEP 2:

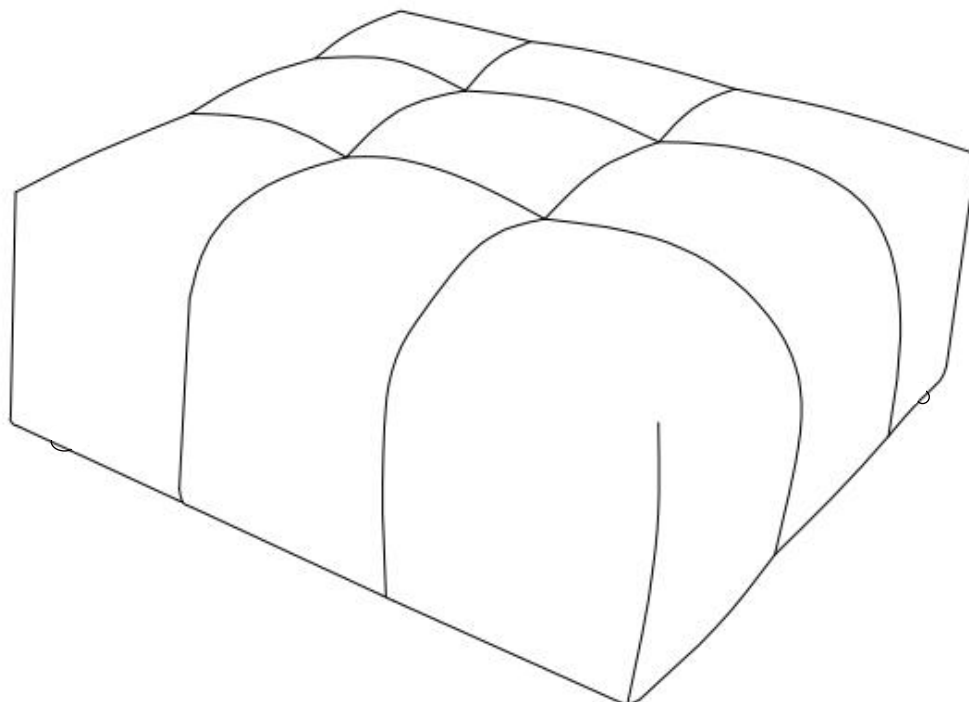


1 Hardware bad

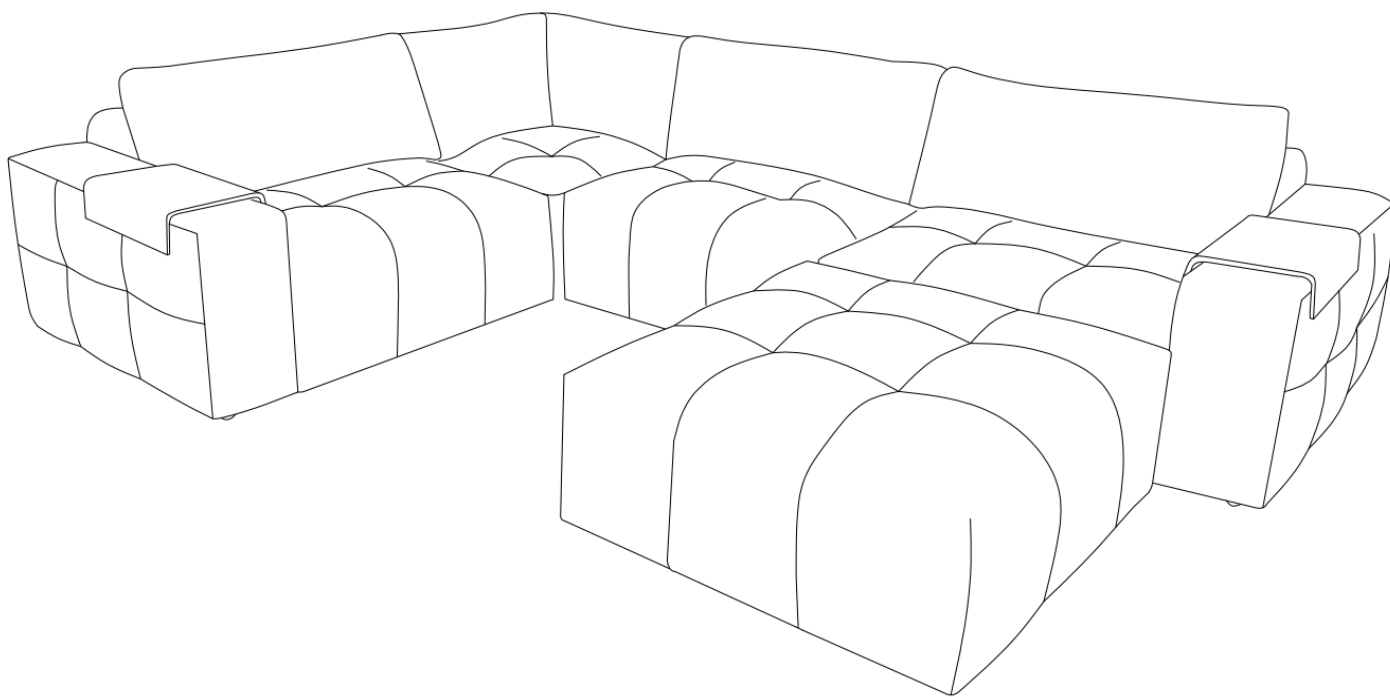
STEP 3: Use the Philips screwdriver to turn the screw with the caster (4 pcs of each caster) into the ottoman bottom.



STEP 4: Completed.



STEP 5: Sectional Completed.



Care Instruction for Textured Fabric Furniture:

In order to maintain the original appearance of your textured fabric, please follow below simple care procedures:

- Avoid exposing furniture directly to sunlight or heating and air conditioning outlets. Sunlight and/or exposure to heating and air conditioning outlets will fade/damage textured fabric. Do not place your upholstered furniture too close to windows, radiators, or vents, and be sure to use windows, radiators, or vents.
- Vacuum or wipe with a soft cloth to remove dust.
- Hardware may loosen over time. Periodically check to make sure all connections are tight. Re-tighten if necessary.



For items use on wooden floor, hard surfaces or carpets, it is recommended to Install protective pads under all legs and supports to avoid/prevent from damages/scratches and discoloration.



ASSEMBLING INSTRUCTIONS

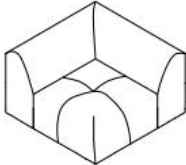


ITEM NO: 9155GY/TP-CR Corner Seat



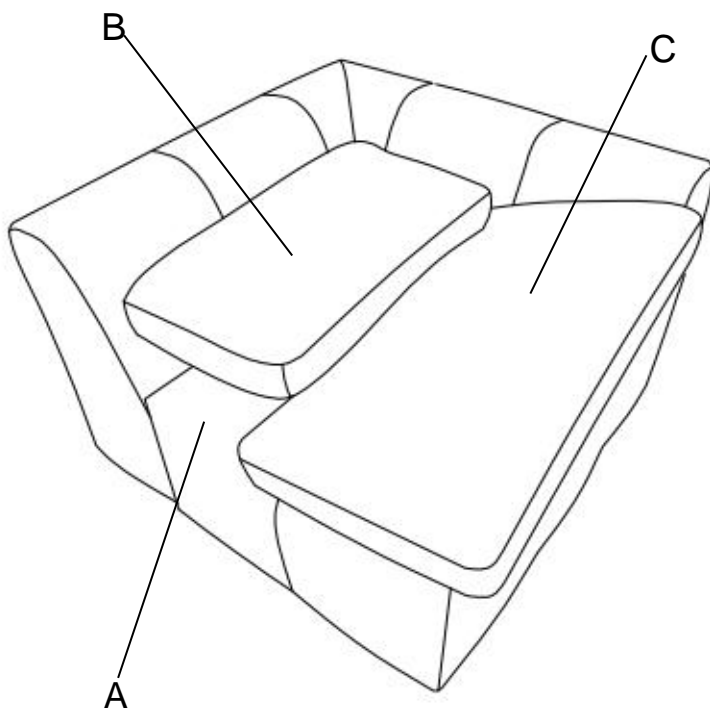
Plastic legs have been pre-installed at the bottom of the chair.

Note: Do not use power tools for assembly. Power tools increase the risk of over tightening which lead to splitting or cracking the wood.

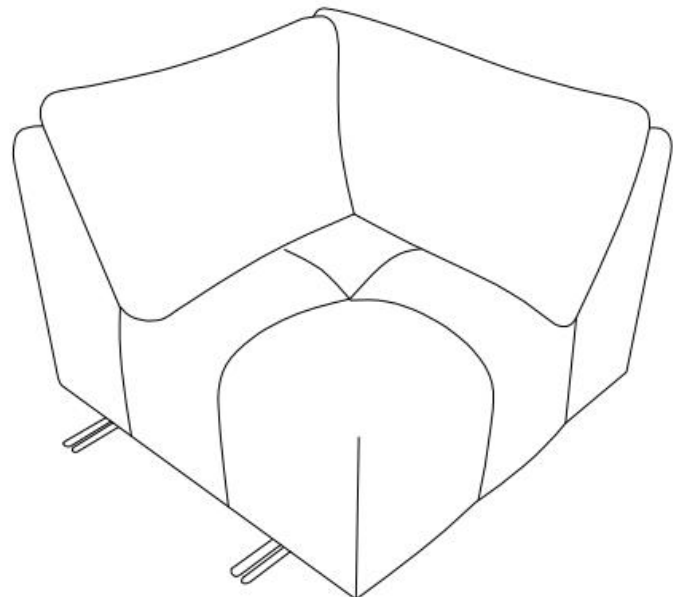
COMPONENT LIST

NO	DRAWING	DESCRIPTION	QTY
A		CORNER SEAT	1 PC
B		LSF BACK CUSHION	1 PC
C		RSF BACK CUSHION	1 PC

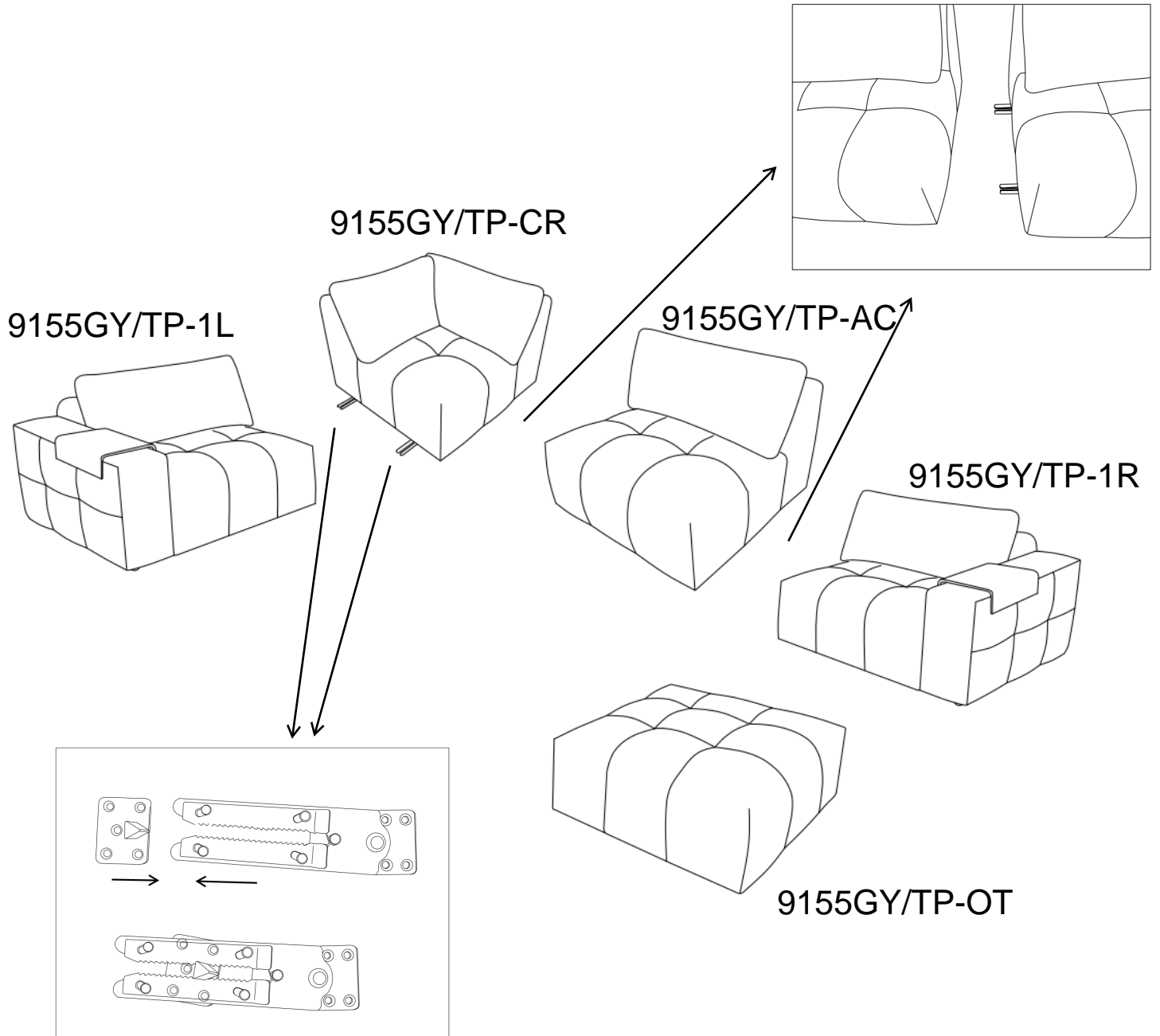
STEP 1:



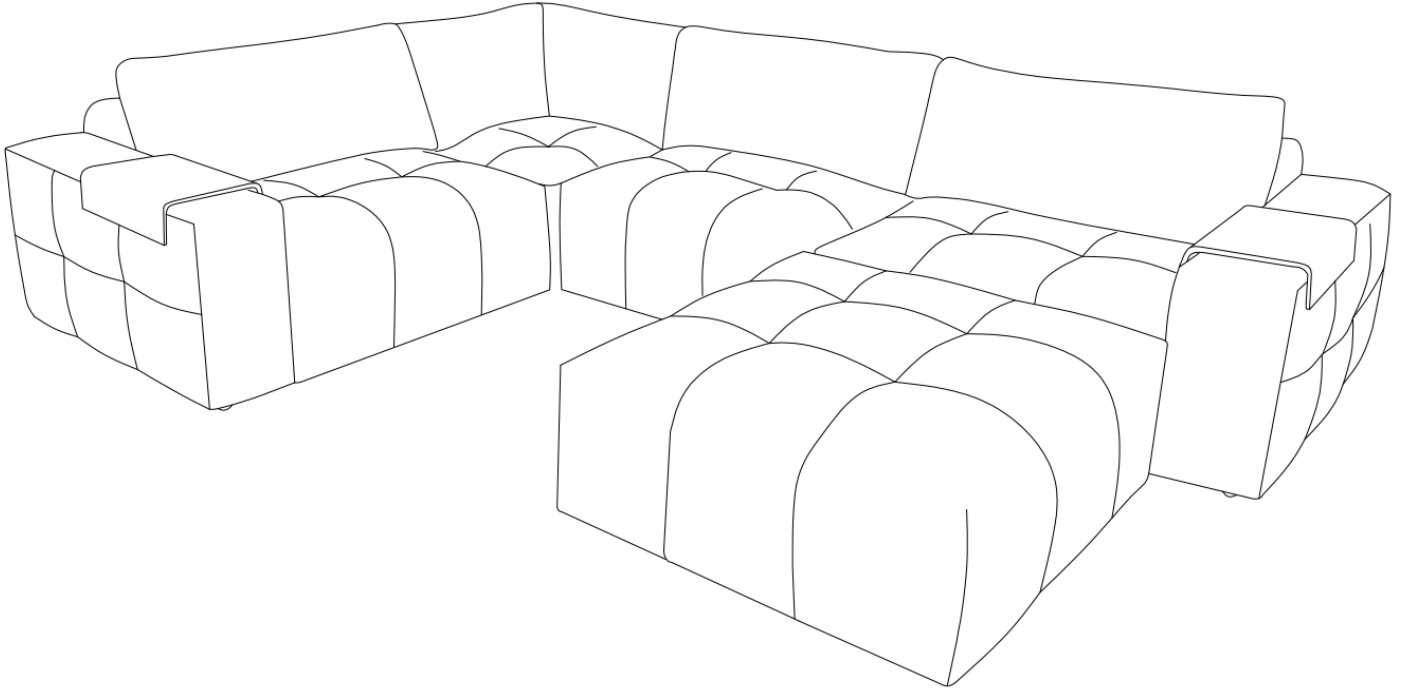
STEP 2: Completed.



STEP 3:



STEP 4: Sectional Completed



Care Instruction for Textured Fabric Furniture:

In order to maintain the original appearance of your textured fabric, please follow below simple care procedures:

- Avoid exposing furniture directly to sunlight or heating and air conditioning outlets. Sunlight and/or exposure to heating and air conditioning outlets will fade/damage textured fabric. Do not place your upholstered furniture too close to windows, radiators, or vents, and be sure to use windows, radiators, or vents.
- Vacuum or wipe with a soft cloth to remove dust.
- Hardware may loosen over time. Periodically check to make sure all connections are tight. Re-tighten if necessary.



For items use on wooden floor, hard surfaces or carpets, it is recommended to Install protective pads under all legs and supports to avoid/prevent from damages/scratches and discoloration.



ASSEMBLING INSTRUCTIONS

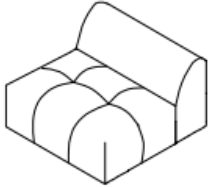

ITEM NO: 9155GY/TP-AC Armless Chair



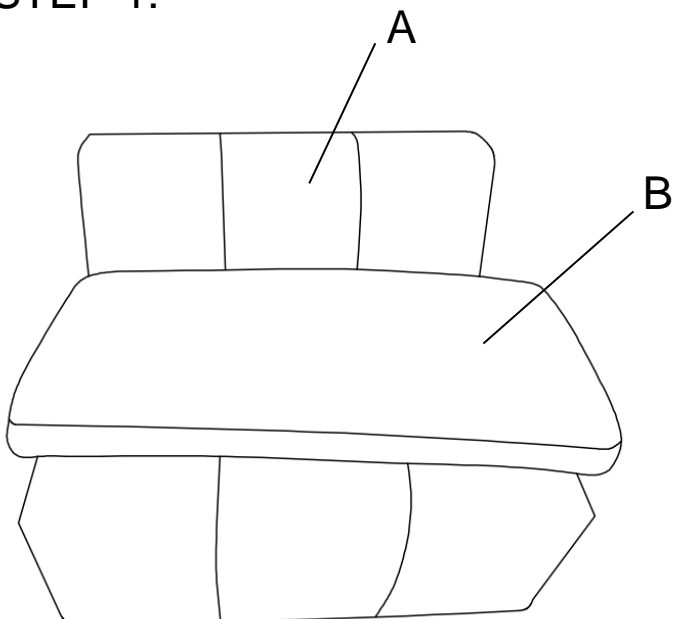
Plastic legs have been pre-installed at the bottom of the chair.

Note: Do not use power tools for assembly. Power tools increase the risk of over tightening which lead to splitting or cracking the wood.

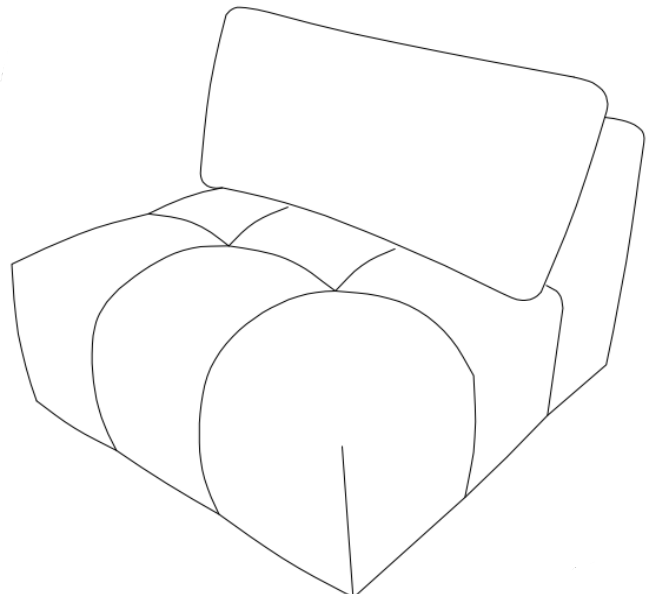
COMPONENT LIST

NO	DRAWING	DESCRIPTION	QTY
A		CHAIR	1 PC
B		BACK CUSHION	1 PC

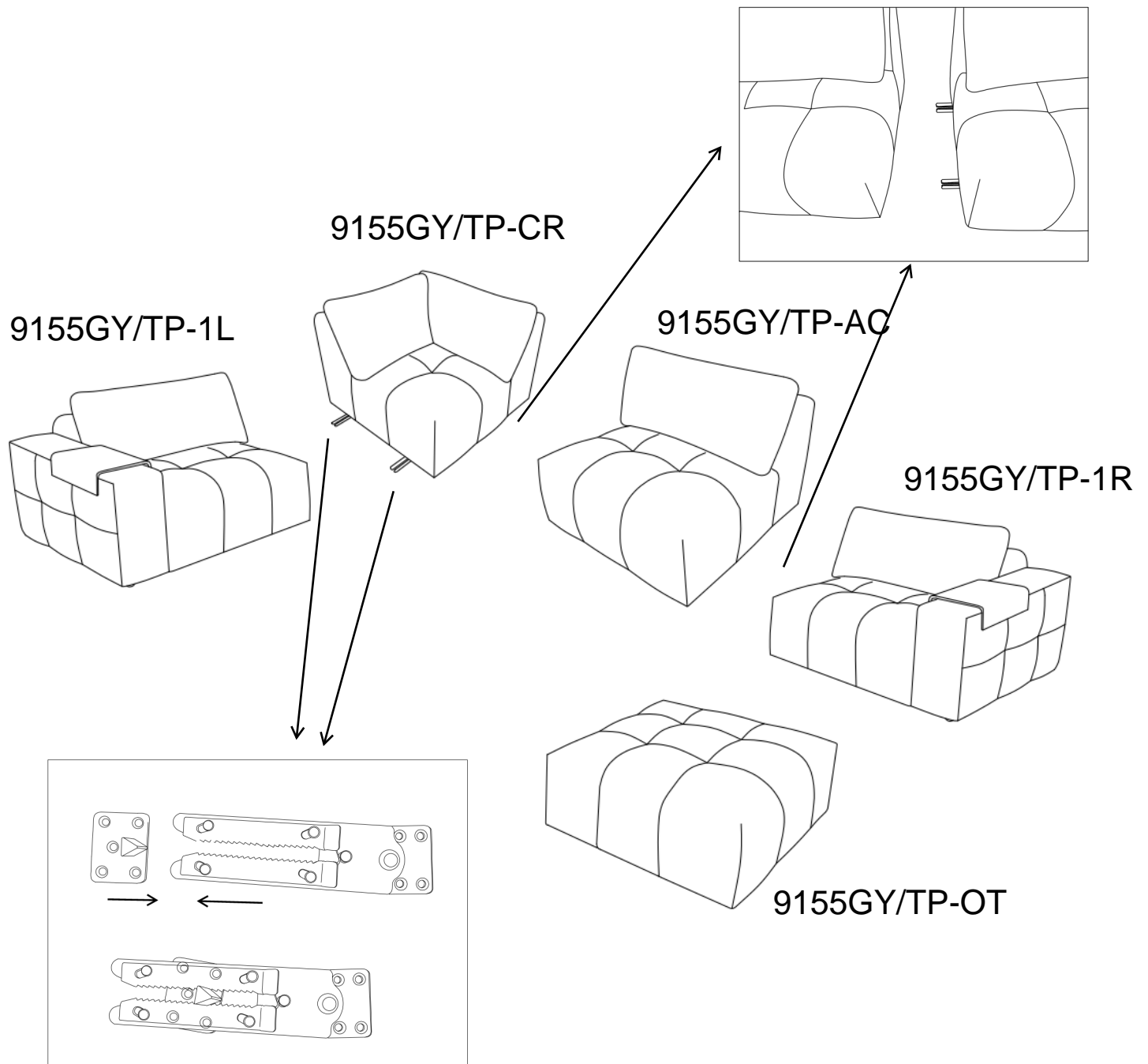
STEP 1:



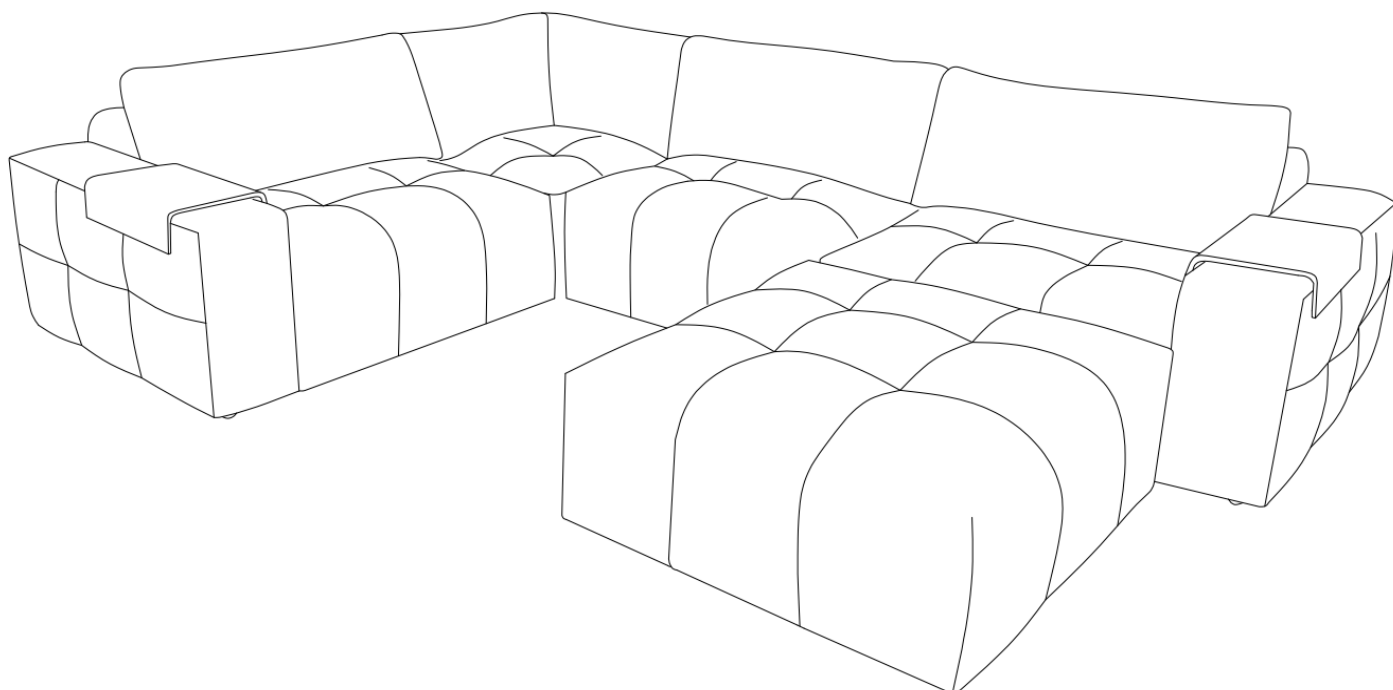
STEP 2: Completed.



STEP 3:



STEP 4: Sectional Completed



Care Instruction for Textured Fabric Furniture:

In order to maintain the original appearance of your textured fabric, please follow below simple care procedures:

- Avoid exposing furniture directly to sunlight or heating and air conditioning outlets. Sunlight and/or exposure to heating and air conditioning outlets will fade/damage textured fabric. Do not place your upholstered furniture too close to windows, radiators, or vents, and be sure to use windows, radiators, or vents.
- Vacuum or wipe with a soft cloth to remove dust.
- Hardware may loosen over time. Periodically check to make sure all connections are tight. Re-tighten if necessary.



For items use on wooden floor, hard surfaces or carpets, it is recommended to Install protective pads under all legs and supports to avoid/prevent from damages/scratches and discoloration.



ASSEMBLING INSTRUCTIONS

ITEM NO: 9155GY/TP-1L

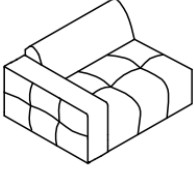


Left Side Chair with one Arm



Plastic legs have been pre-installed at the bottom of the chair.

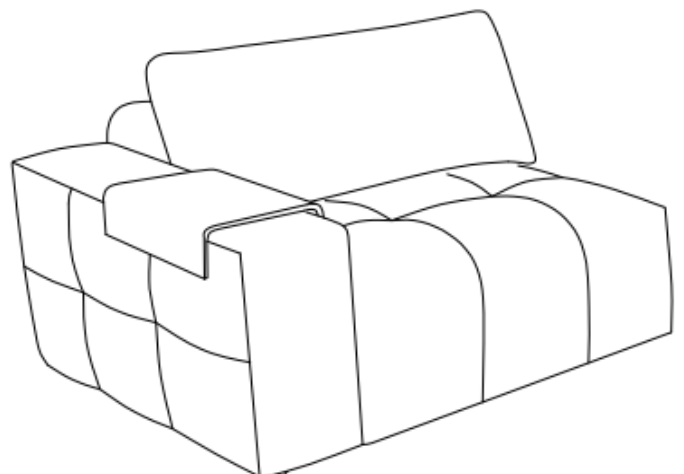
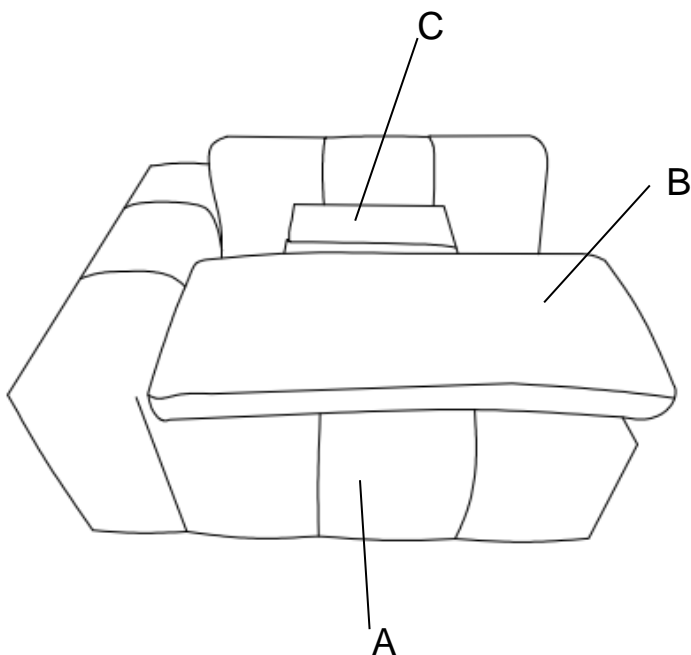
Note: Do not use power tools for assembly. Power tools increase the risk of over tightening which lead to splitting or cracking the wood.

COMPONENT LIST

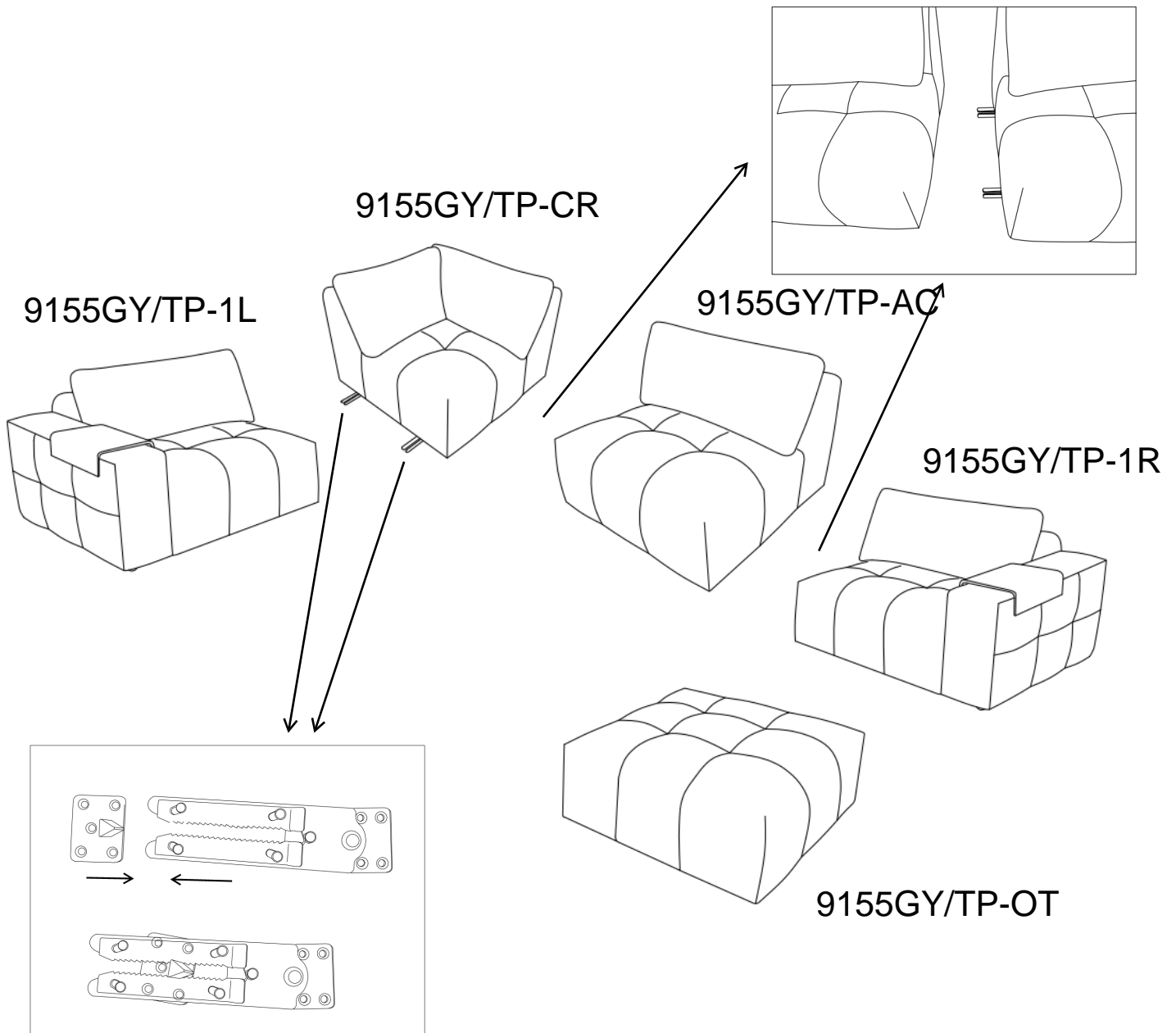
NO	DRAWING	DESCRIPTION	QTY
A		LSF CHAIR	1 PC
B		BACK CUSHION	1 PC
C		PLYWOOD ARM TRAY 17.7 x 12.2 x 4.7 (INCH)	1 PC

STEP 1:

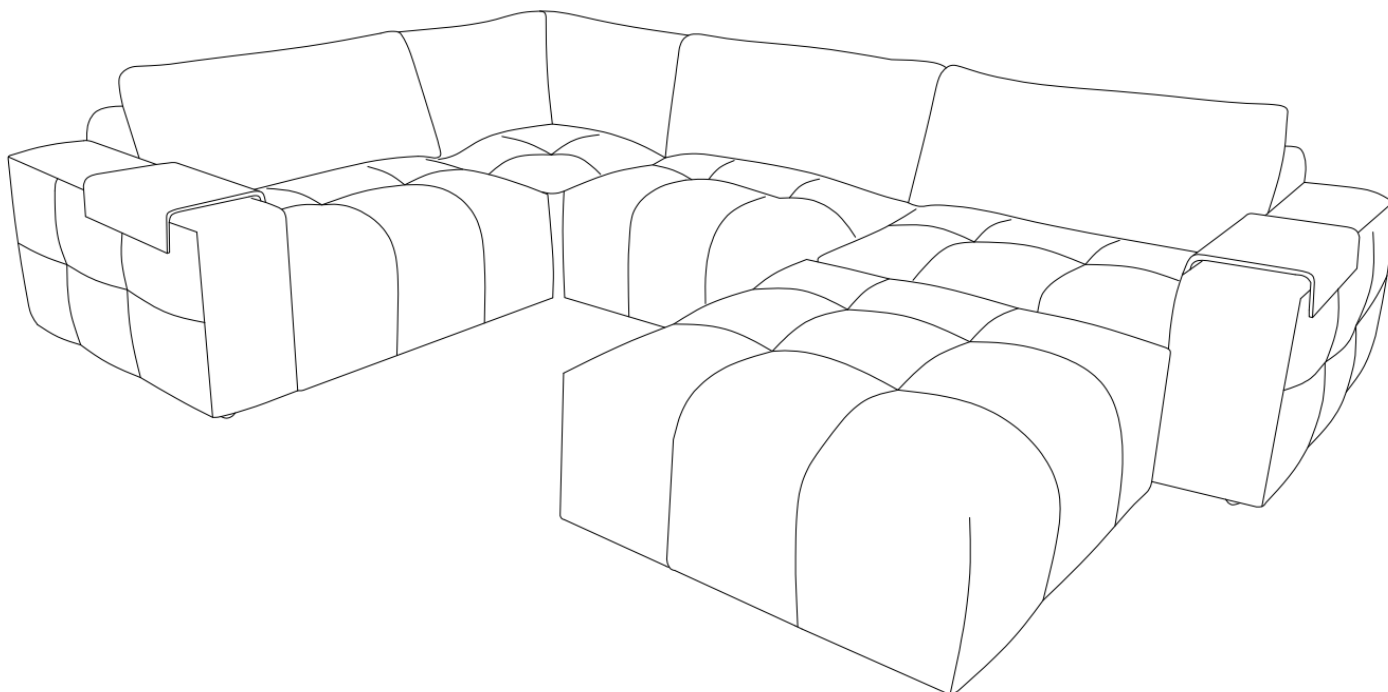
STEP 2: Completed.



STEP 3:



STEP 4: Sectional Completed.



Care Instruction for Textured Fabric Furniture:

In order to maintain the original appearance of your textured fabric, please follow below simple care procedures:

- Avoid exposing furniture directly to sunlight or heating and air conditioning outlets. Sunlight and/or exposure to heating and air conditioning outlets will fade/damage textured fabric. Do not place your upholstered furniture too close to windows, radiators, or vents, and be sure to use windows, radiators, or vents.
- Vacuum or wipe with a soft cloth to remove dust.
- Hardware may loosen over time. Periodically check to make sure all connections are tight. Re-tighten if necessary.



For items use on wooden floor, hard surfaces or carpets, it is recommended to Install protective pads under all legs and supports to avoid/prevent from damages/scratches and discoloration.



ASSEMBLING INSTRUCTIONS

ITEM NO: 9155GY/TP-1R

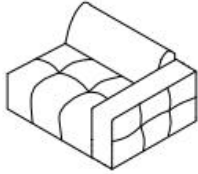


Right Side Chair with one Arm



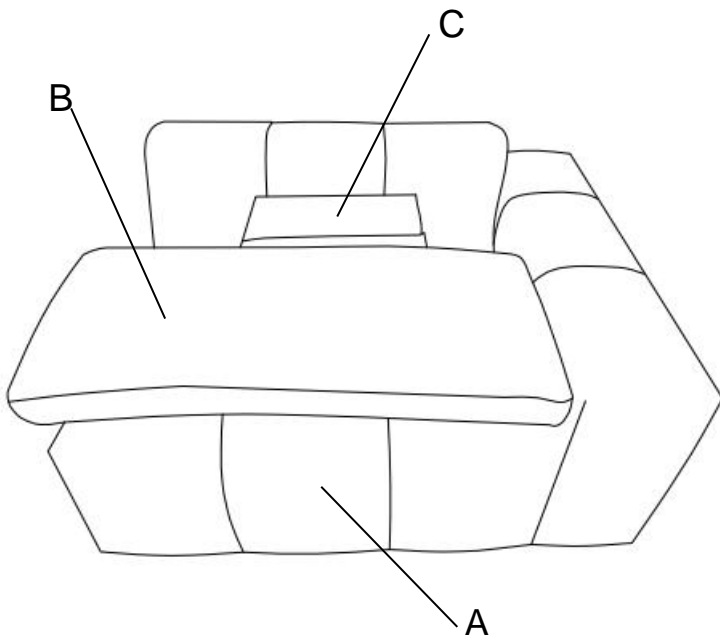
Plastic legs have been pre-installed at the bottom of the chair.

Note: Do not use power tools for assembly. Power tools increase the risk of over tightening which lead to splitting or cracking the wood.

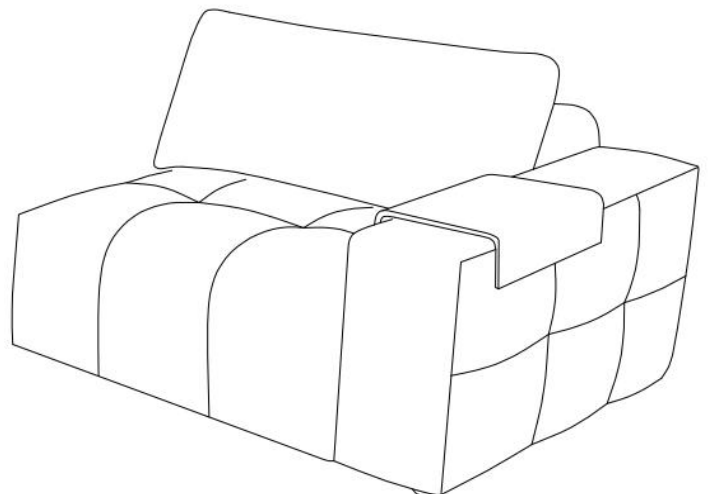
COMPONENT LIST

NO	DRAWING	DESCRIPTION	QTY
A		RSF CHAIR	1 PC
B		BACK CUSHION	1 PC
C		PLYWOOD ARM TRAY 17.7 x 12.2 x 4.7 (INCH)	1 PC

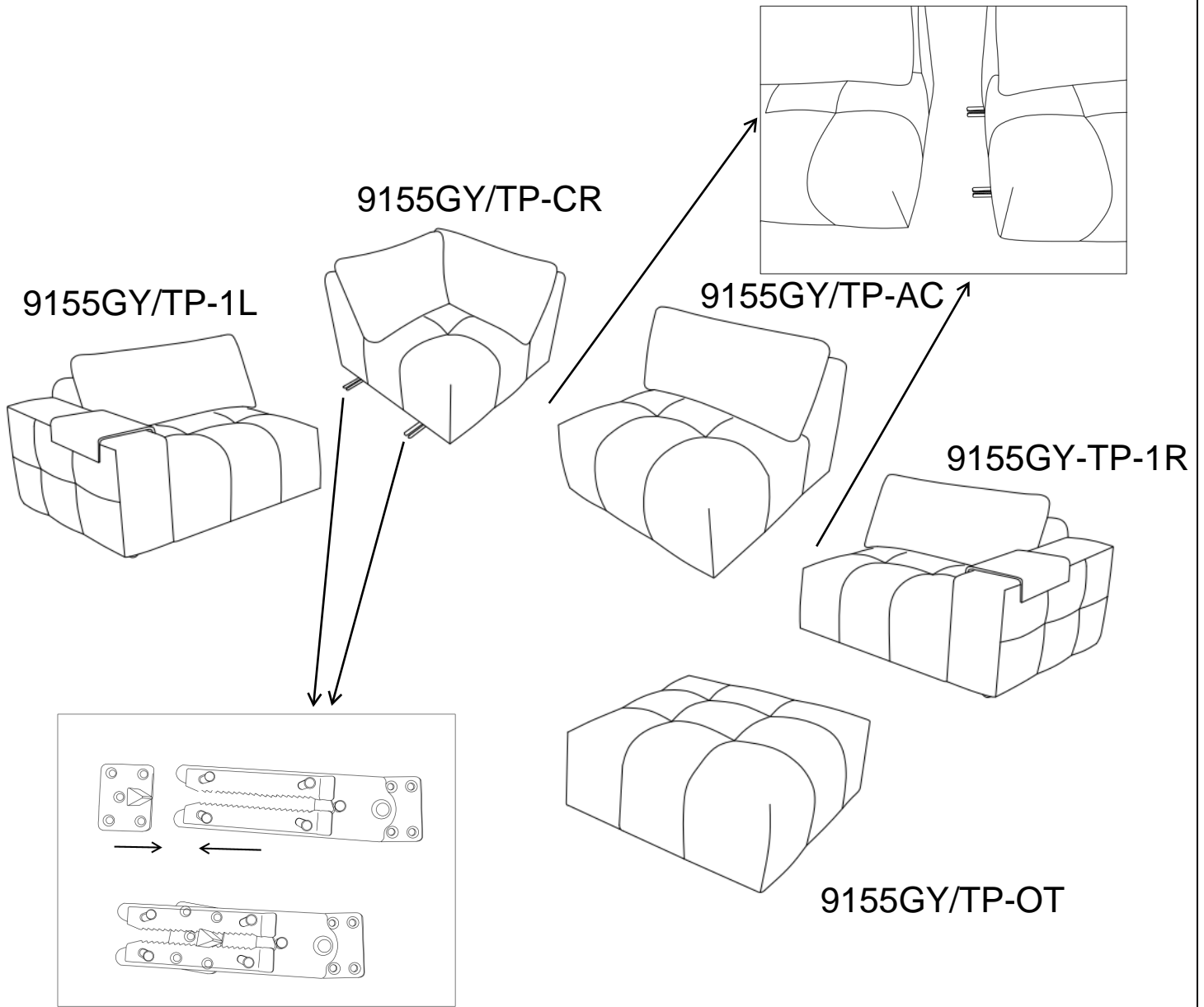
STEP 1:



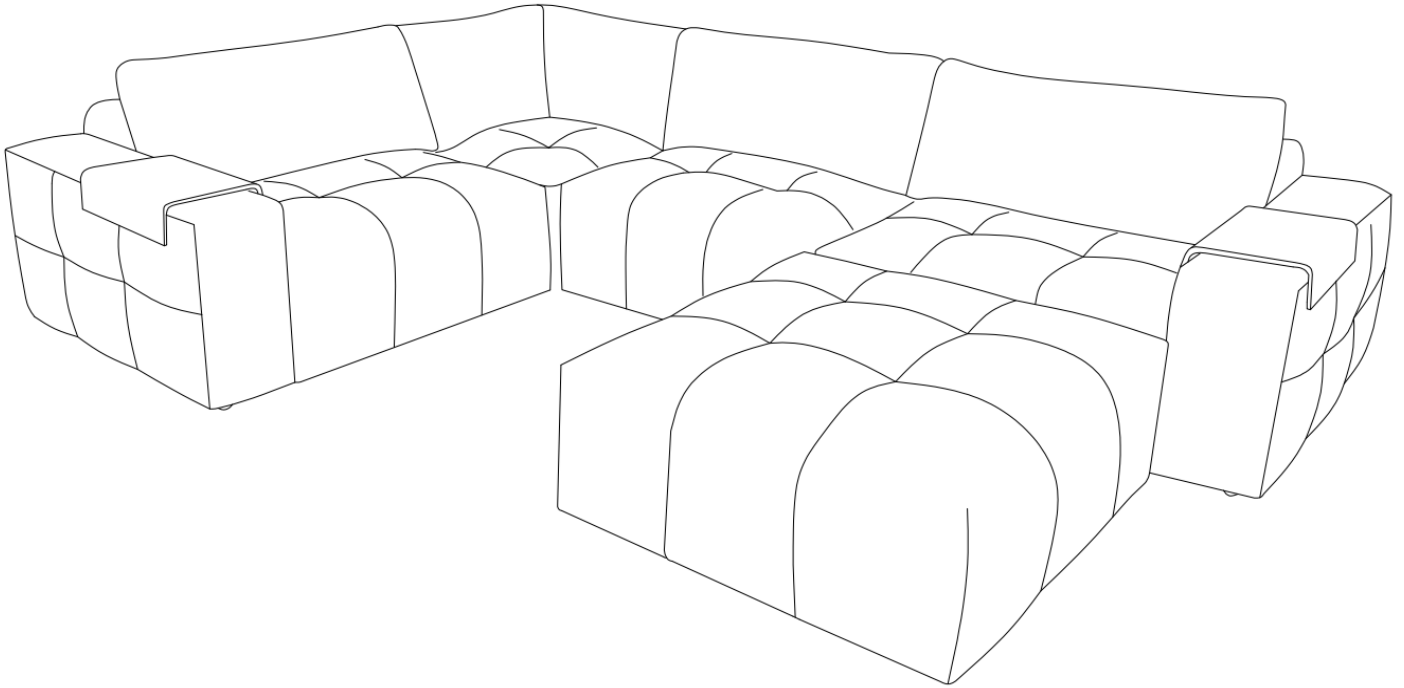
STEP 2: Completed.



STEP 3:



STEP 4: Sectional Completed.



Care Instruction for Textured Fabric Furniture:

In order to maintain the original appearance of your textured fabric, please follow below simple care procedures:

- Avoid exposing furniture directly to sunlight or heating and air conditioning outlets. Sunlight and/or exposure to heating and air conditioning outlets will fade/damage textured fabric. Do not place your upholstered furniture too close to windows, radiators, or vents, and be sure to use windows, radiators, or vents.
- Vacuum or wipe with a soft cloth to remove dust.
- Hardware may loosen over time. Periodically check to make sure all connections are tight. Re-tighten if necessary.



For items use on wooden floor, hard surfaces or carpets, it is recommended to Install protective pads under all legs and supports to avoid/prevent from damages/scratches and discoloration.