

ASSEMBLY INSTRUCTION

ITEM NO.: 8477BEG-VC

Armless Reversible Chaise with Hidden Storage

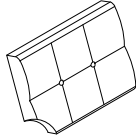
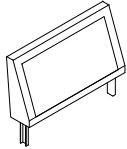
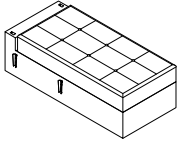
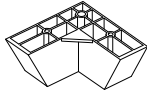
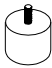
H O M E L E G A N C E




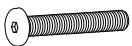

Legs and hardware are stored in chaise storage, please take out for assembly.

Note: Do not use power tools for assembly. Power tools increase the risk of over tightening which lead to Splitting or cracking the wood.

COMPONENT LIST

No	Drawing	Qty	Description
B		1	BACK CUSHION (PACKED IN 8477-VT)
C		1	BACK REST
E		1	CHAISE SEAT
H		2	Plastic LEGS 4"x4"x2"
I		2	Plastic LEGS Ø2"x2"

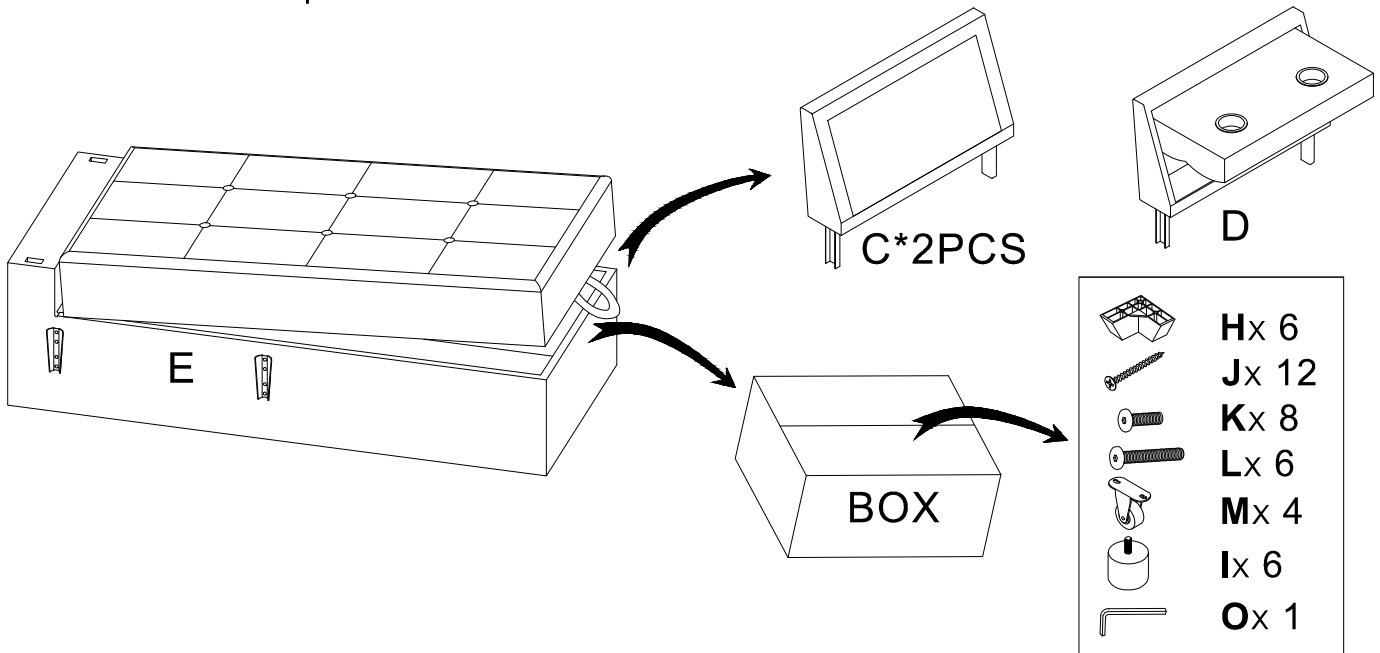
HARDWARE LIST (PACKED IN 8477BEG-VC)

No	Drawing	Qty	Description
J		4	SCREW Ø1/5*2"
L		2	BOLT 5/16"*2 3/8"
O		1	ALLEN KEY

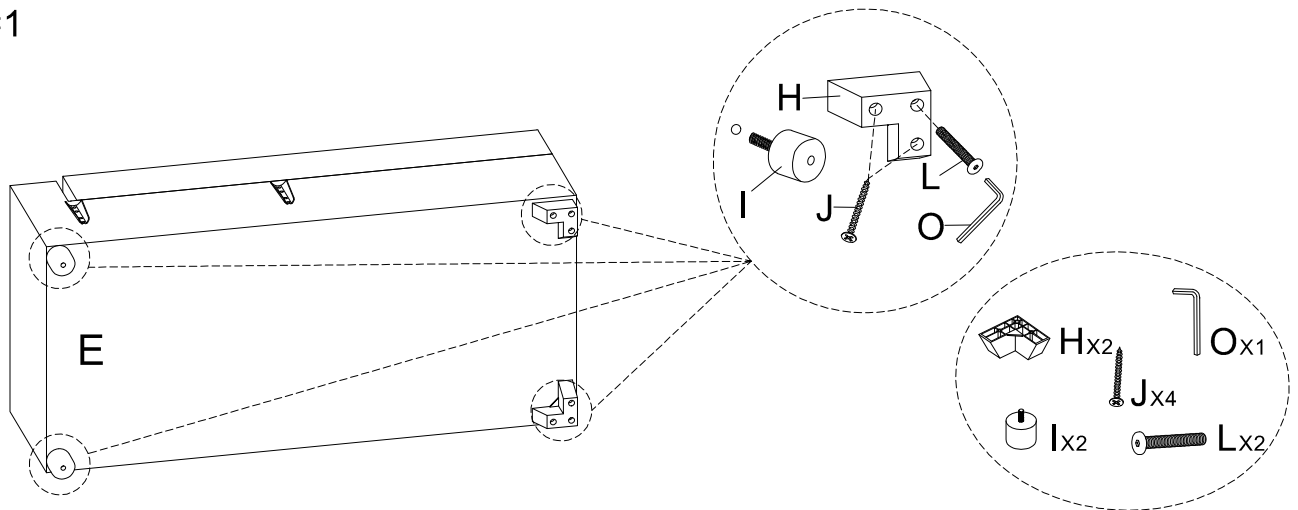
ASSEMBLY INSTRUCTION

ITEM NO: 8477BEG-VC

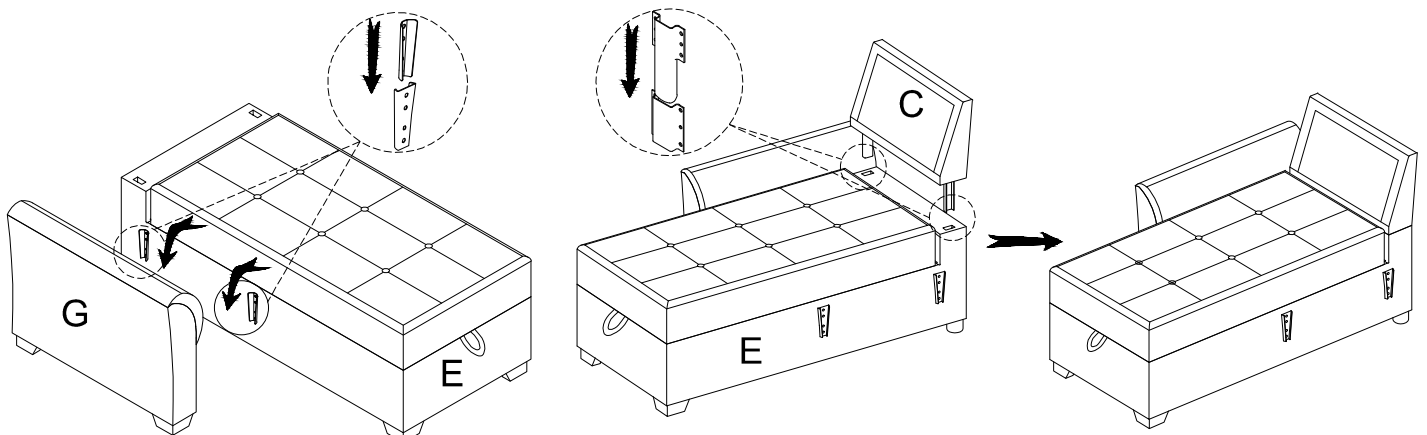
Please take the parts and hardware in the box.



Step #1



Step #2



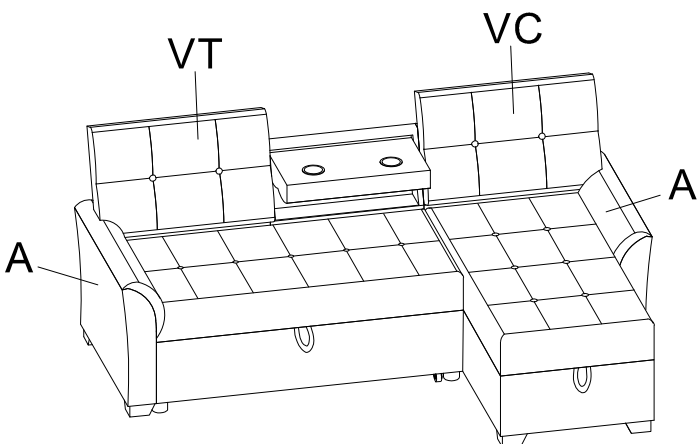
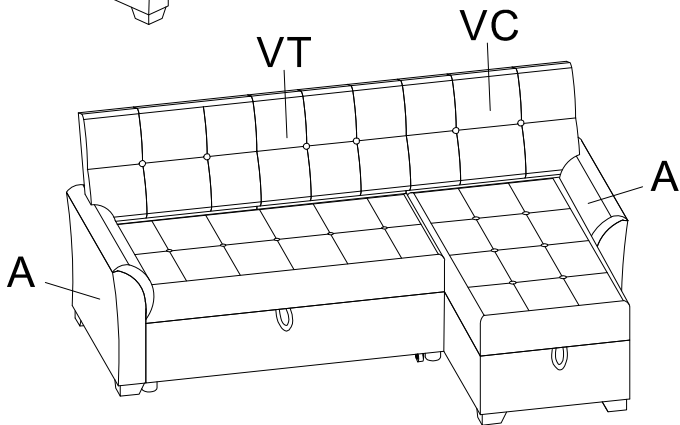
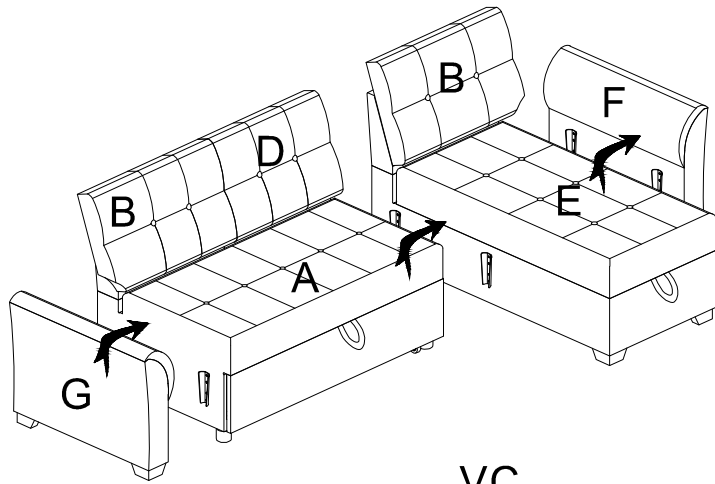
ASSEMBLY INSTRUCTION

ITEM NO: 8477BEG-VC

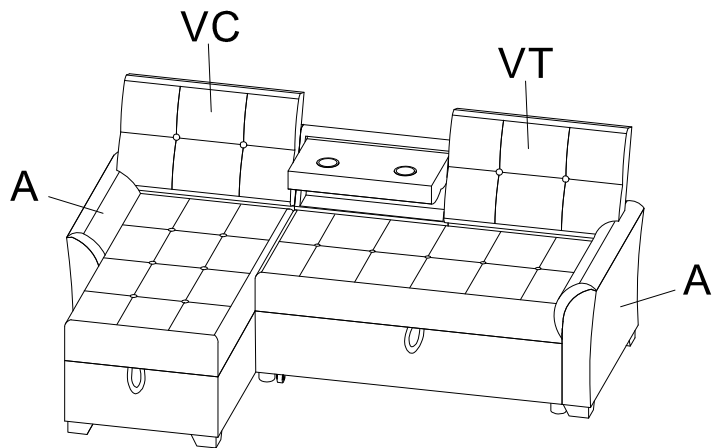
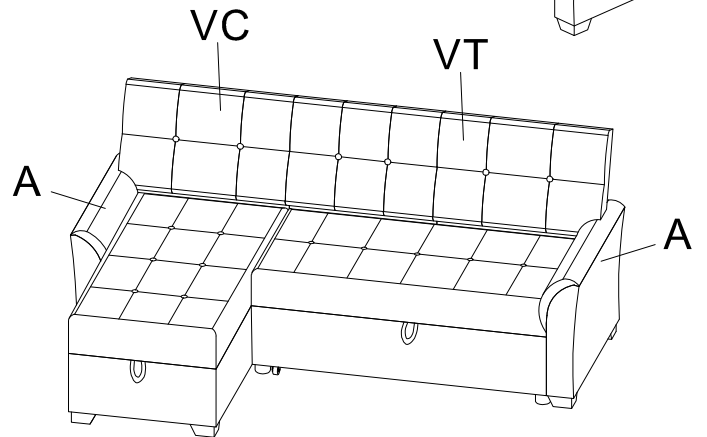
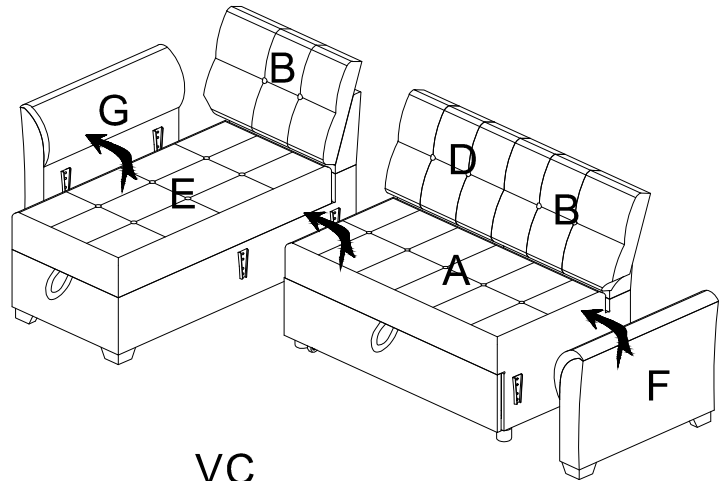
8477BEG-A+8477BEG-VT+8477BEG-VC SECTIONAL SET UP

From this step, it is divided into two columns. The left and right columns correspond to Option A and Option B respectively. You can choose according to your needs.

Option A



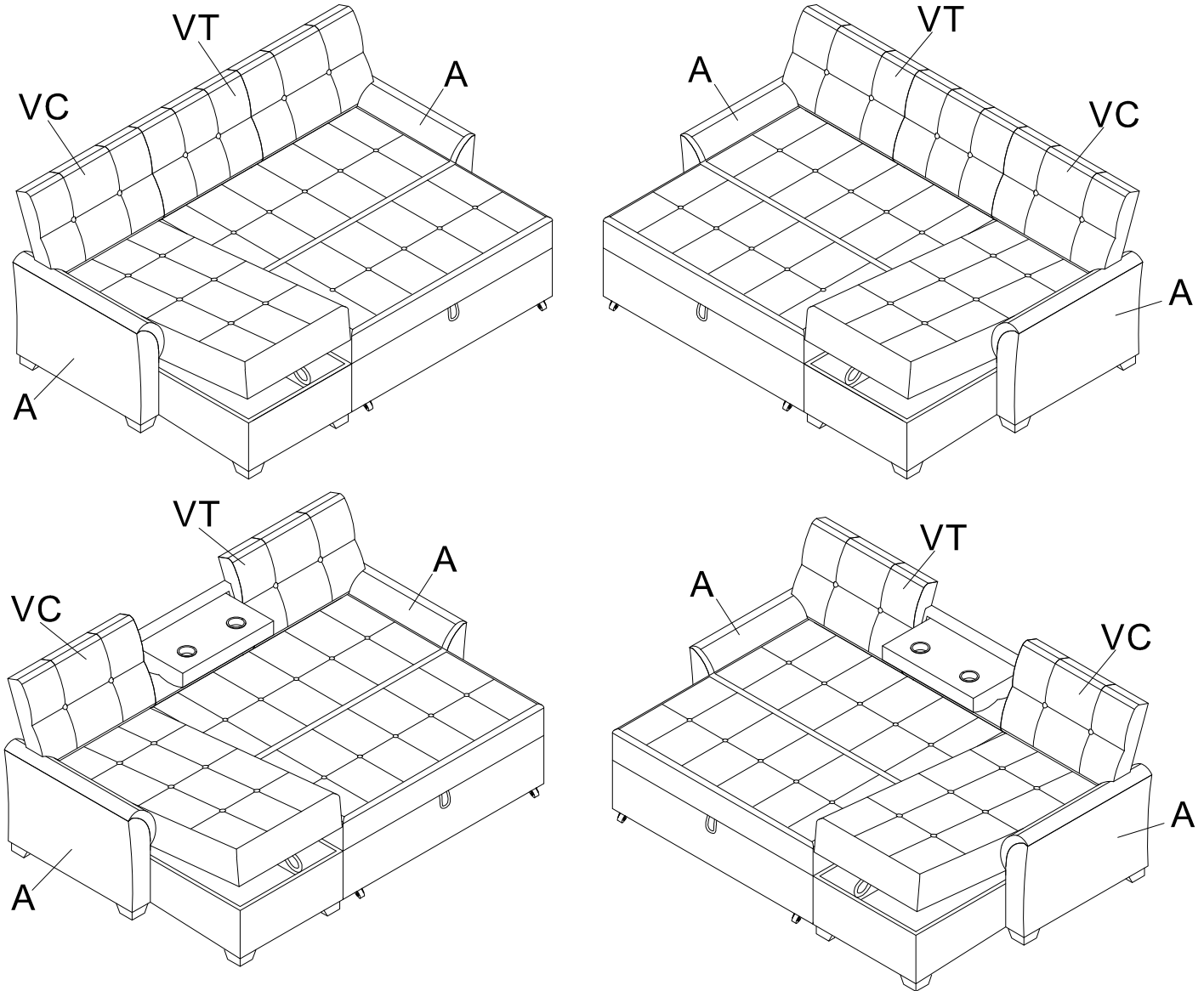
Option B



ASSEMBLY INSTRUCTION

ITEM NO: 8477BEG-VC

8477BEG-A+8477BEG-VT+8477BEG-VC SECTIONAL SET UP



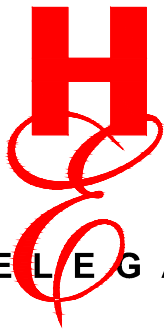
Care Instruction for Fabric Furniture:

In order to maintain the original appearance of your fabric Furniture, please follow below simple care procedures:

- Avoid exposing furniture directly to sunlight or heating and air conditioning outlets. Sunlight and or exposure to heating and air conditioning outlets will fade/damage Fabric.
- Vacuum or wipe with a soft cloth to remove dust.



For items use on wooden floor, hard surfaces or carpets, it is recommended to install protective pads under all legs and supports to avoid/prevent from damages/scratches and discoloration.



H O M E E L E G A N C E

ASSEMBLY INSTRUCTION

ITEM NO.: 8477BEG-VT

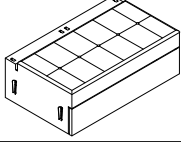
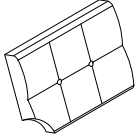
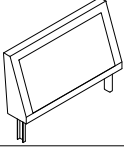
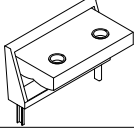

Armless Reversible 2-seater with pull-out Bed
and drop-down cup holders



Legs and hardware are stored in chaise storage, please take out for assembly.

Note: Do not use power tools for assembly. Power tools increase the risk of over tightening which lead to Splitting or cracking the wood.

COMPONENT LIST

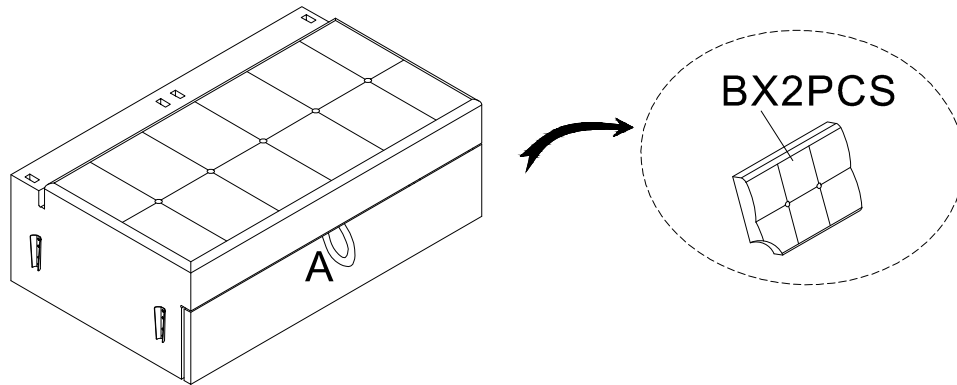
No	Drawing	Qty	Description
A		1	POP-UP SLEEPER SEAT
B		1	BACK CUSHION
C		1	BACK REST (PACKED IN 8477-VC)
D		1	CONSOLE BACKREST (PACKED IN 8477-VC)
I		4	Plastic LEGS Ø2"x2" (PACKED IN 8477-VC)

HARDWARE LIST (PACKED IN 8477BEG-VC)

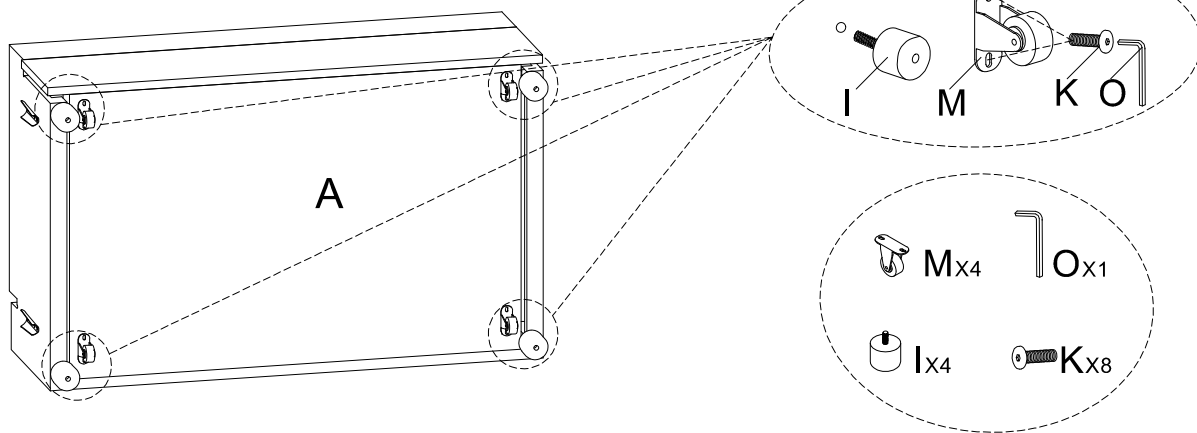
No	Drawing	Qty	Description
K		8	BOLT 1/4"*1"
M		4	WHEEL
O		1	ALLEN KEY

ASSEMBLY INSTRUCTION

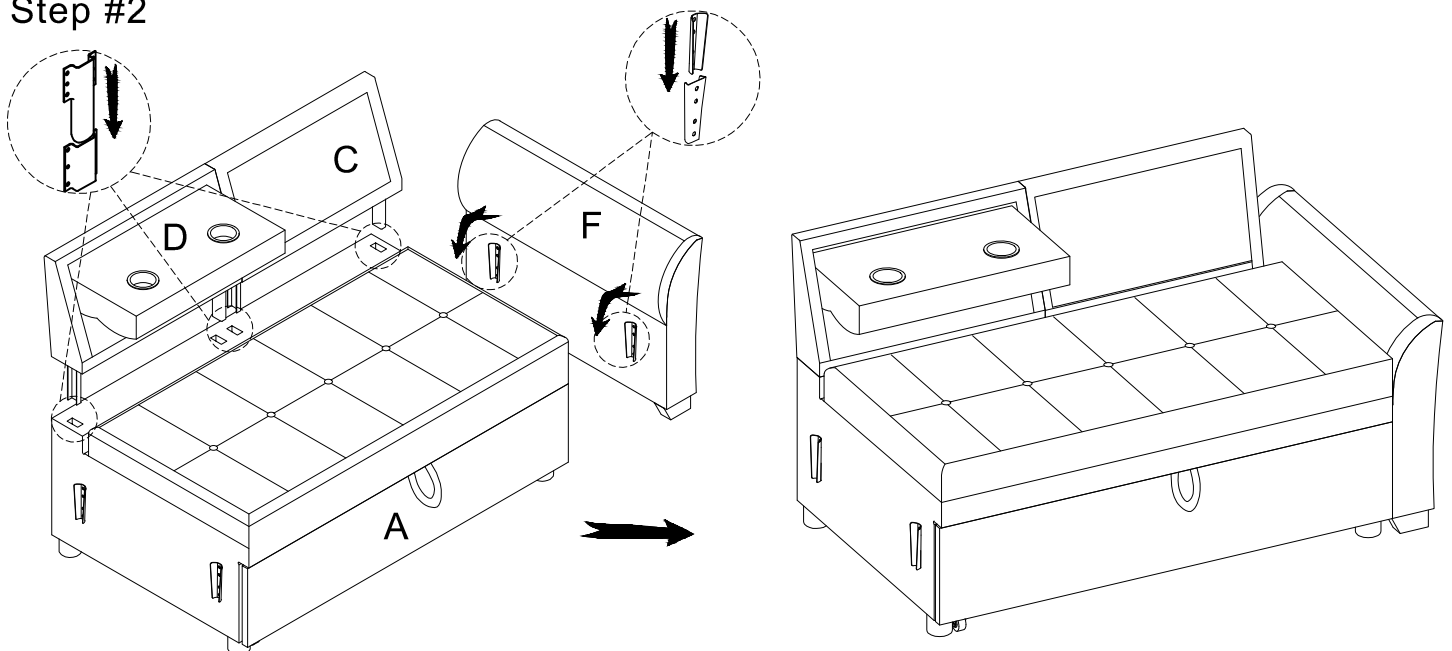
ITEM NO.: 8477BEG-VT



Step #1



Step #2



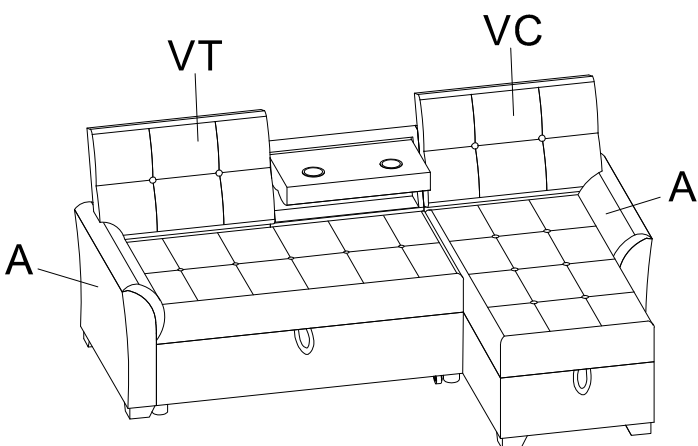
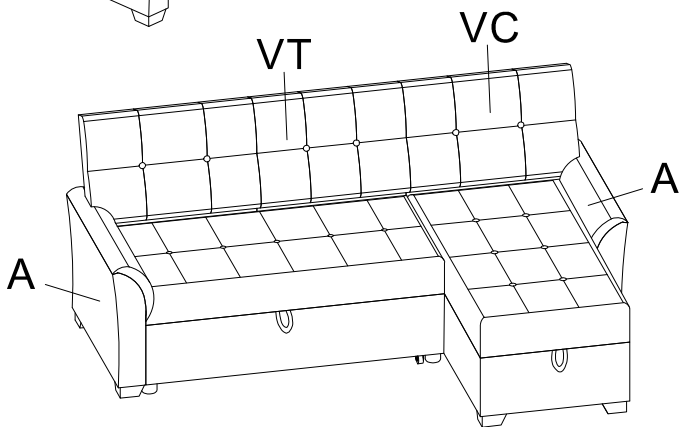
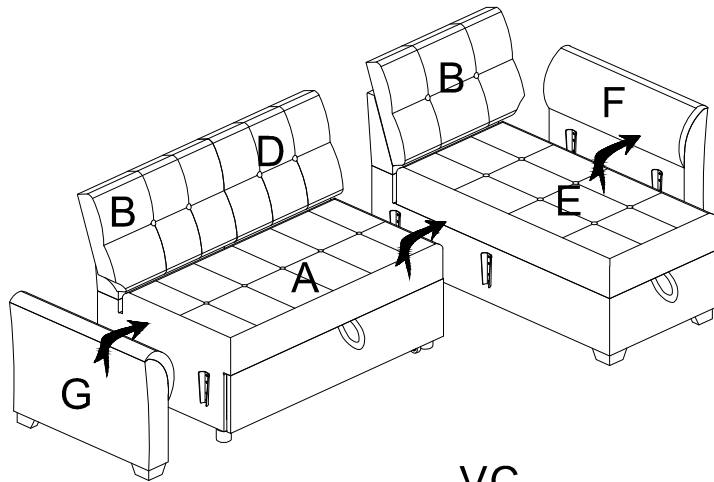
ASSEMBLY INSTRUCTION

ITEM NO.: 8477BEG-VT

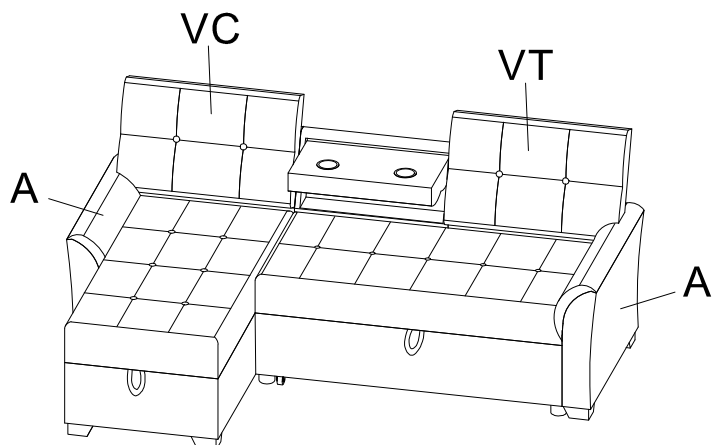
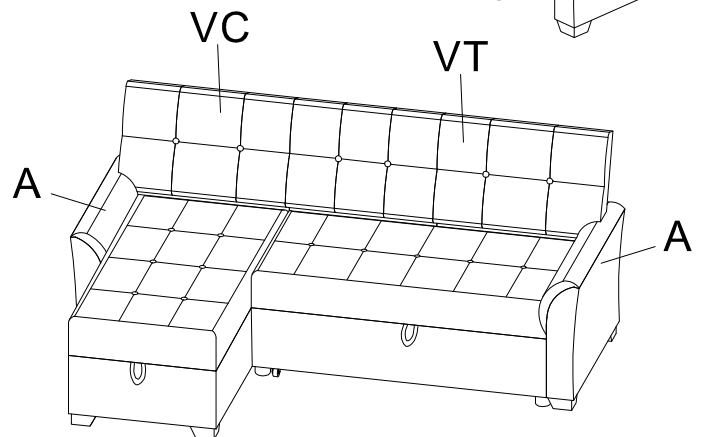
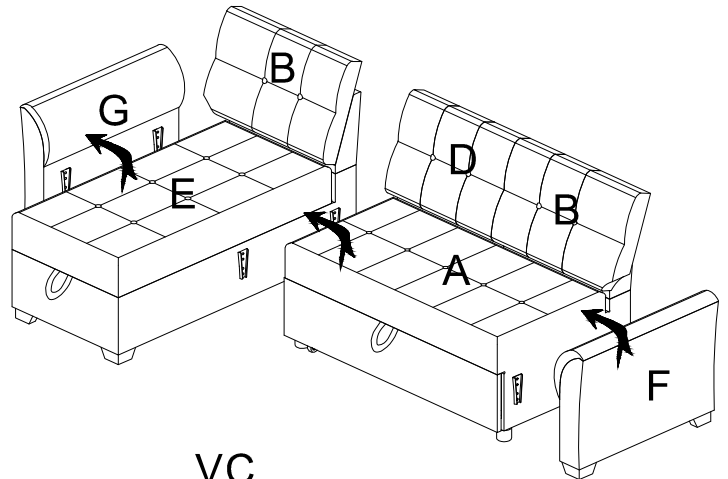
8477BEG-A+8477BEG-VT+8477BEG-VC SECTIONAL SET UP

From this step, it is divided into two columns. The left and right columns correspond to Option A and Option B respectively. You can choose according to your needs.

Option A



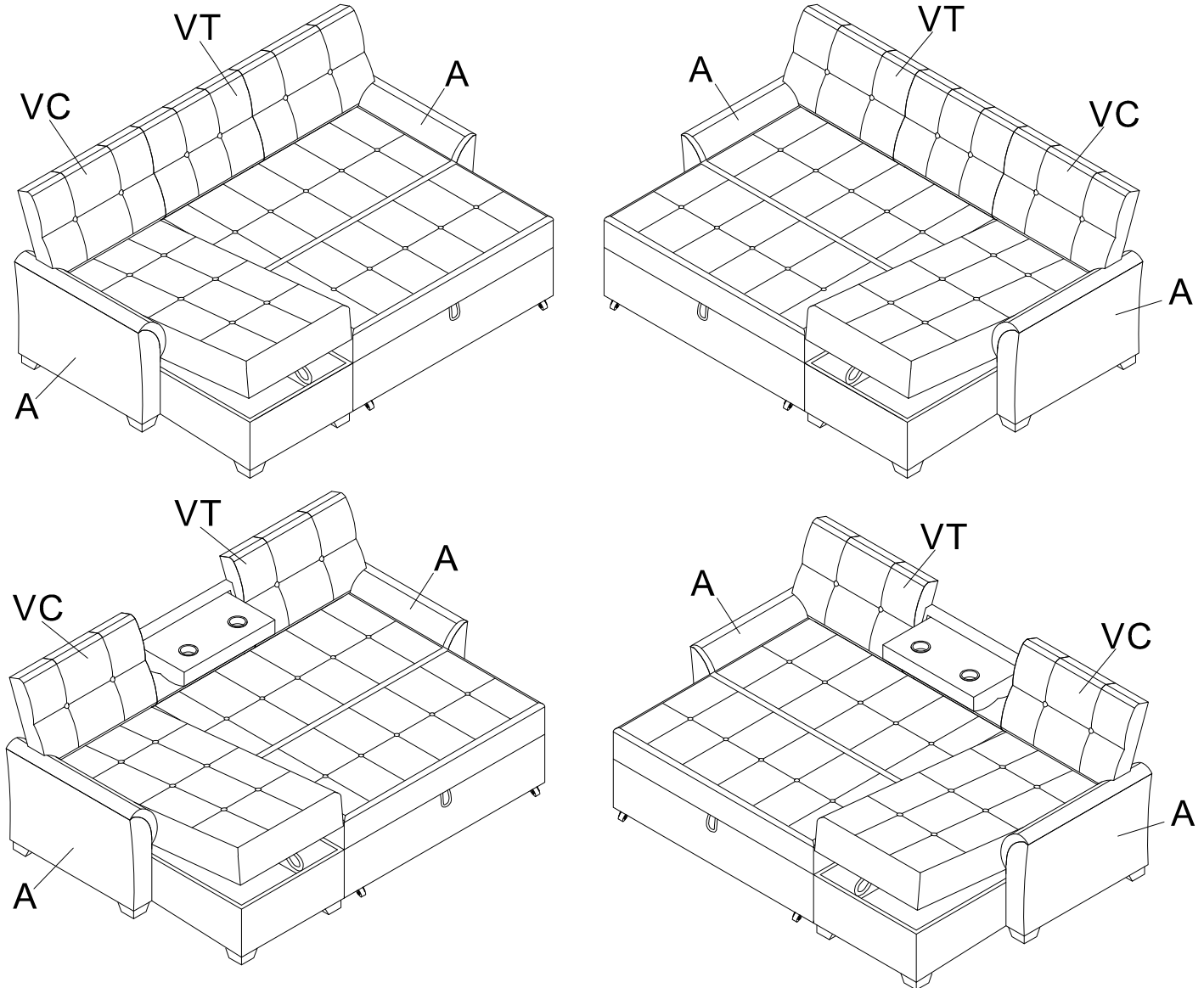
Option B



ASSEMBLY INSTRUCTION

ITEM NO.: 8477BEG-VT

8477BEG-A+8477BEG-VT+8477BEG-VC SECTIONAL SET UP



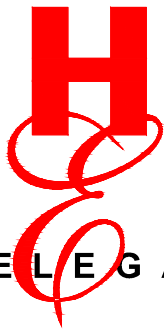
Care Instruction for Fabric Furniture:

In order to maintain the original appearance of your fabric Furniture, please follow below simple care procedures:

- Avoid exposing furniture directly to sunlight or heating and air conditioning outlets. Sunlight and or exposure to heating and air conditioning outlets will fade/damage Fabric.
- Vacuum or wipe with a soft cloth to remove dust.



For items use on wooden floor, hard surfaces or carpets, it is recommended to install protective pads under all legs and supports to avoid/prevent from damages/scratches and discoloration.



H O M E L E G A N C E

ASSEMBLY INSTRUCTION

ITEM NO.: 8477BEG-A

Two Arms






Legs and hardware are stored in chaise storage, please take out for assembly.

Note: Do not use power tools for assembly. Power tools increase the risk of over tightening which lead to Splitting or cracking the wood.

COMPONENT LIST

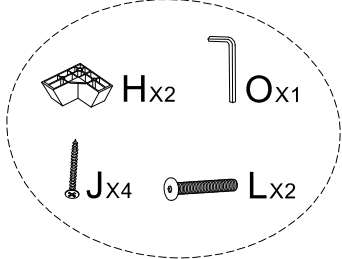
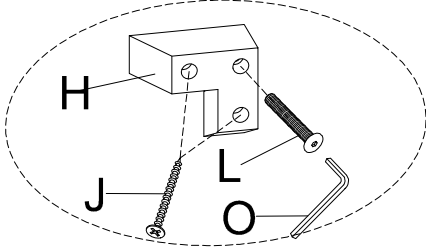
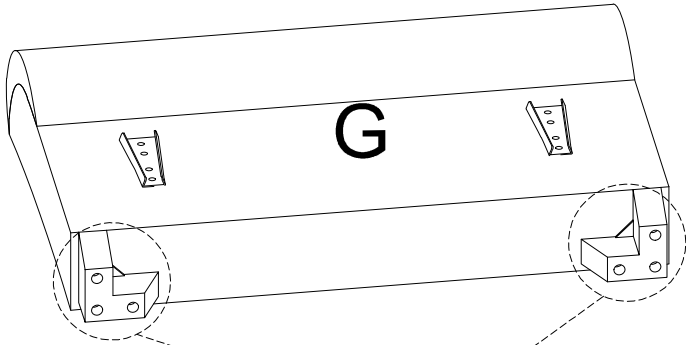
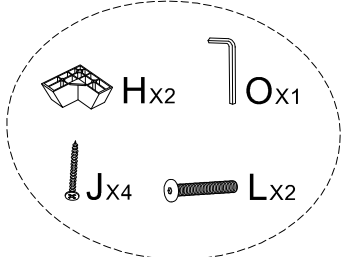
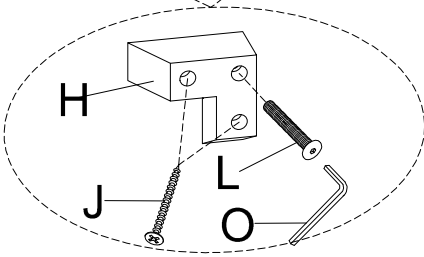
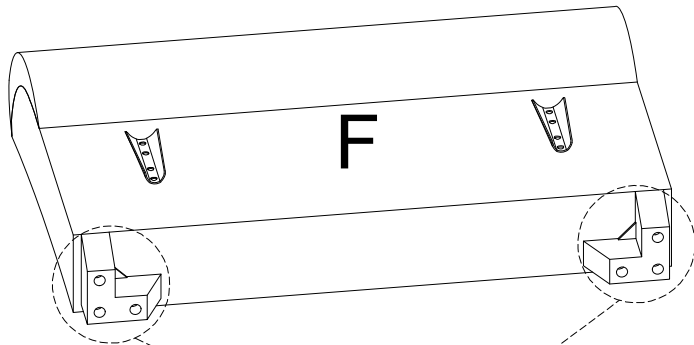
No	Drawing	Qty	Description
F		1	R RSF ARM
G		1	L LSF ARM
H		4	Plastic LEGS 4"x4"x2" (PACKED IN 8477-VC)

HARDWARE LIST (PACKED IN 8477BEG-VC)

No	Drawing	Qty	Description
J		8	SCREW Ø1/5*2"
L		4	BOLT 5/16"*2 3/8"
O		1	ALLEN KEY

ASSEMBLY INSTRUCTION

ITEM NO.: 8477BEG-A



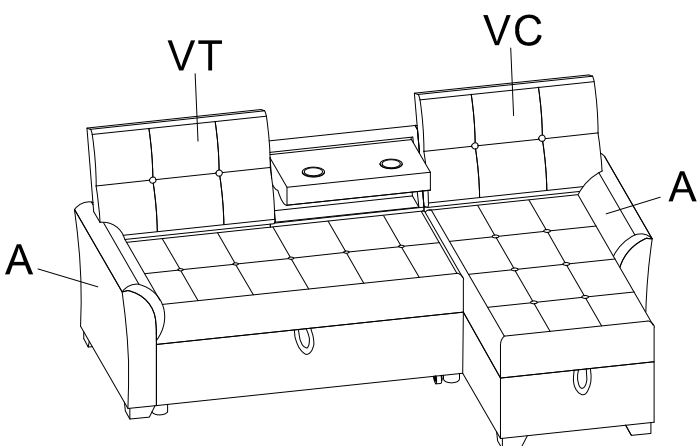
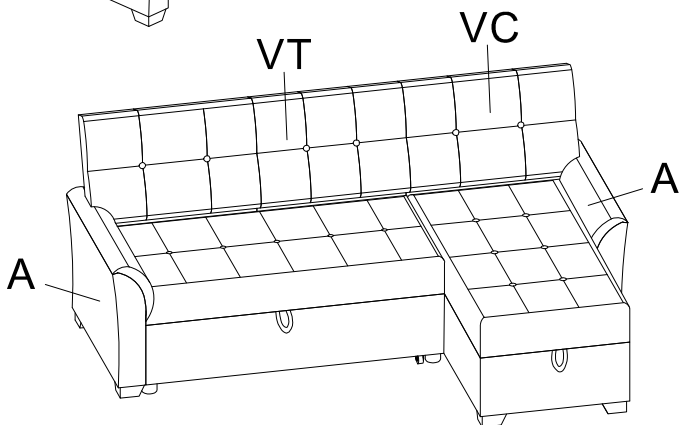
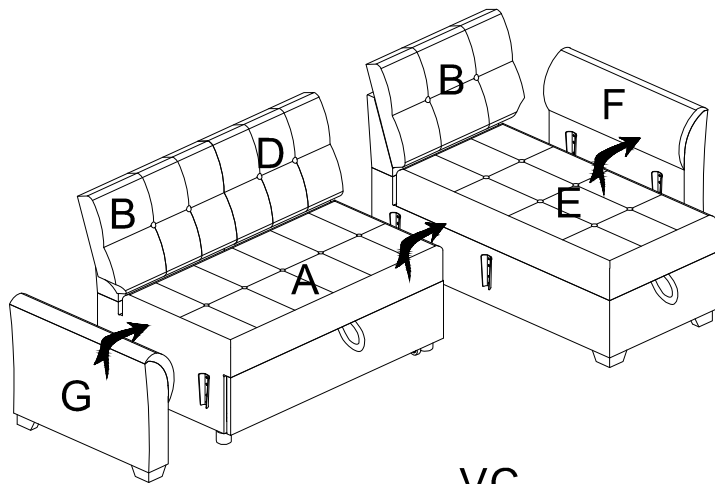
ASSEMBLY INSTRUCTION

ITEM NO.: 8477BEG-A

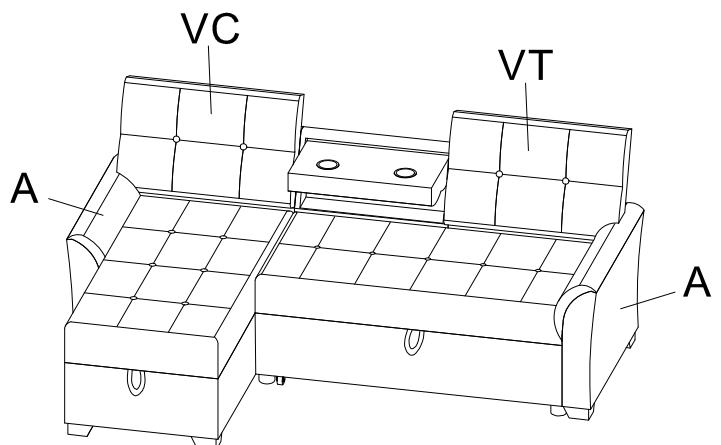
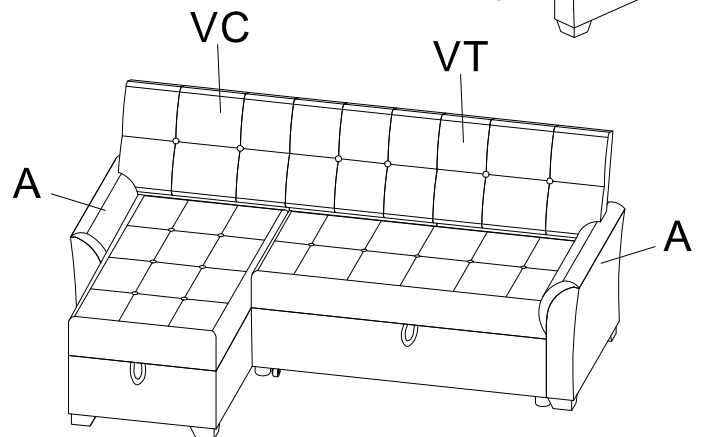
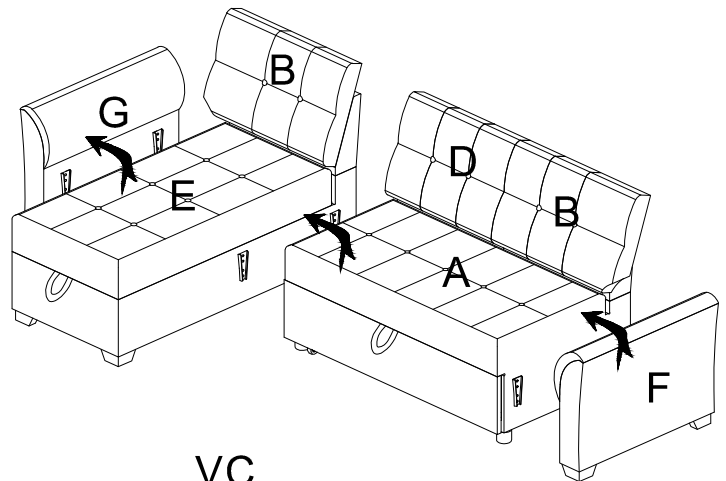
8477BEG-A+8477BEG-VT+8477BEG-VC SECTIONAL SET UP

From this step, it is divided into two columns. The left and right columns correspond to Option A and Option B respectively. You can choose according to your needs.

Option A



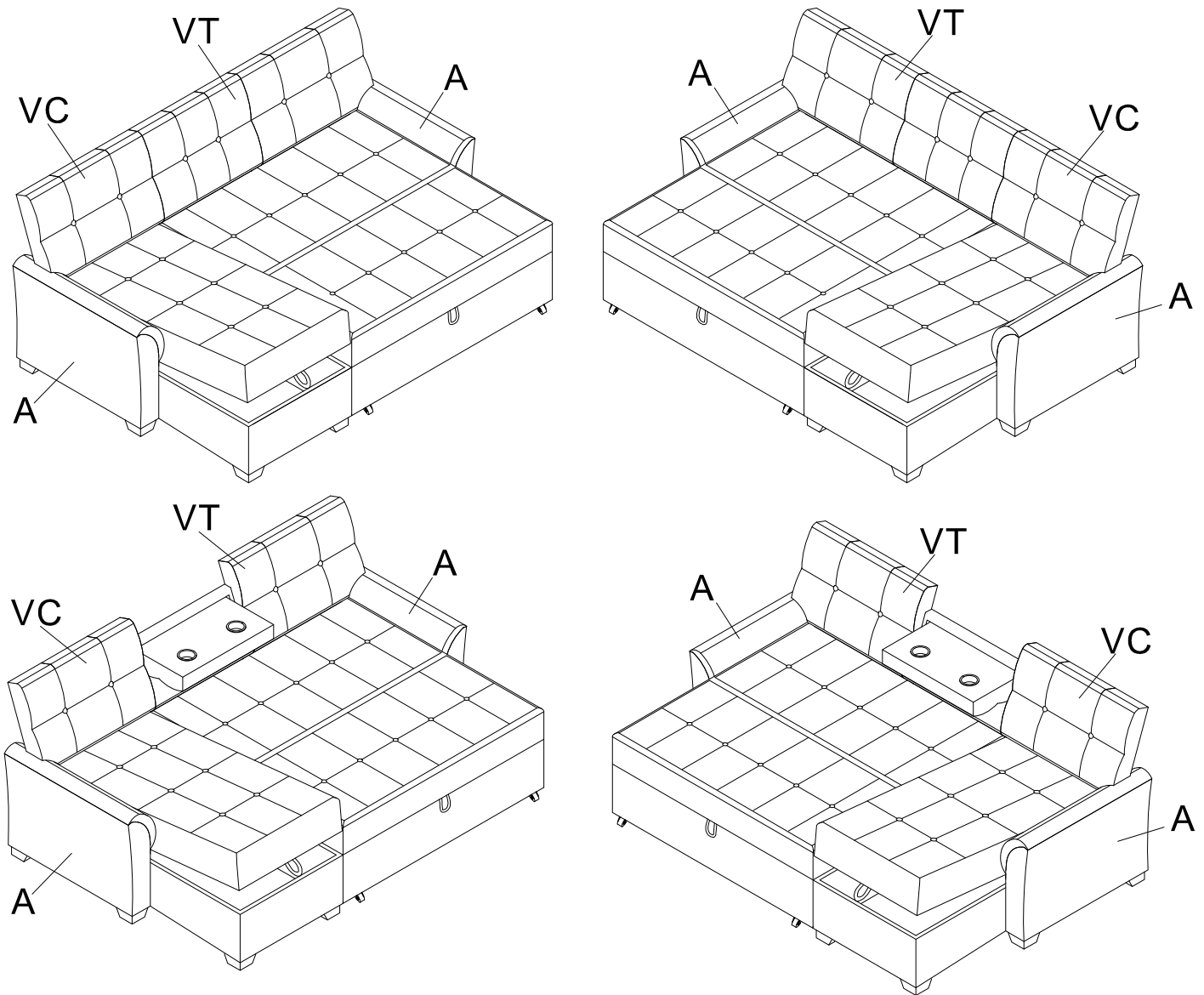
Option B



ASSEMBLY INSTRUCTION

ITEM NO.: 8477BEG-A

8477BEG-A+8477BEG-VT+8477BEG-VC SECTIONAL SET UP



Care Instruction for Fabric Furniture:

In order to maintain the original appearance of your fabric Furniture, please follow below simple care procedures:

- Avoid exposing furniture directly to sunlight or heating and air conditioning outlets. Sunlight and or exposure to heating and air conditioning outlets will fade/damage Fabric.
- Vacuum or wipe with a soft cloth to remove dust.



For items use on wooden floor, hard surfaces or carpets, it is recommended to install protective pads under all legs and supports to avoid/prevent from damages/scratches and discoloration.