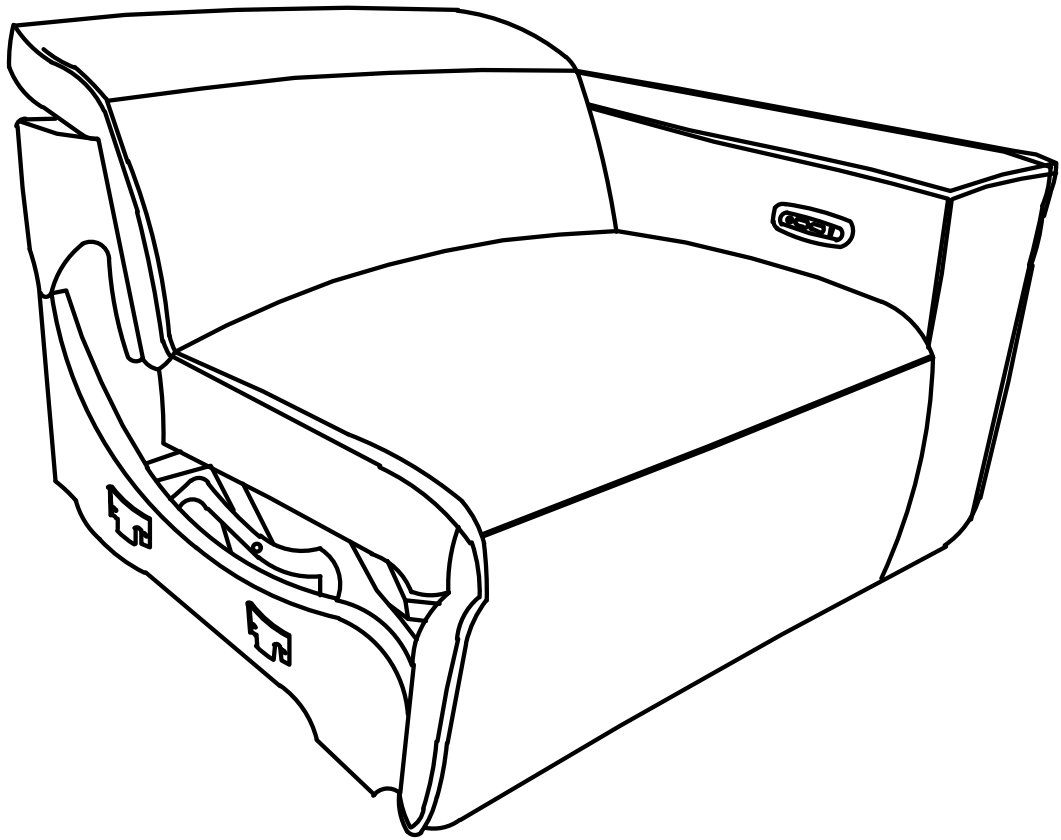




**ASSEMBLY INSTRUCTION**  
**ITEM: 8414GRY-RRPWH**  
**(5/5)Power Right Side**  
**Reclining Chair with Power**  
**Headrest and Charging Ports**



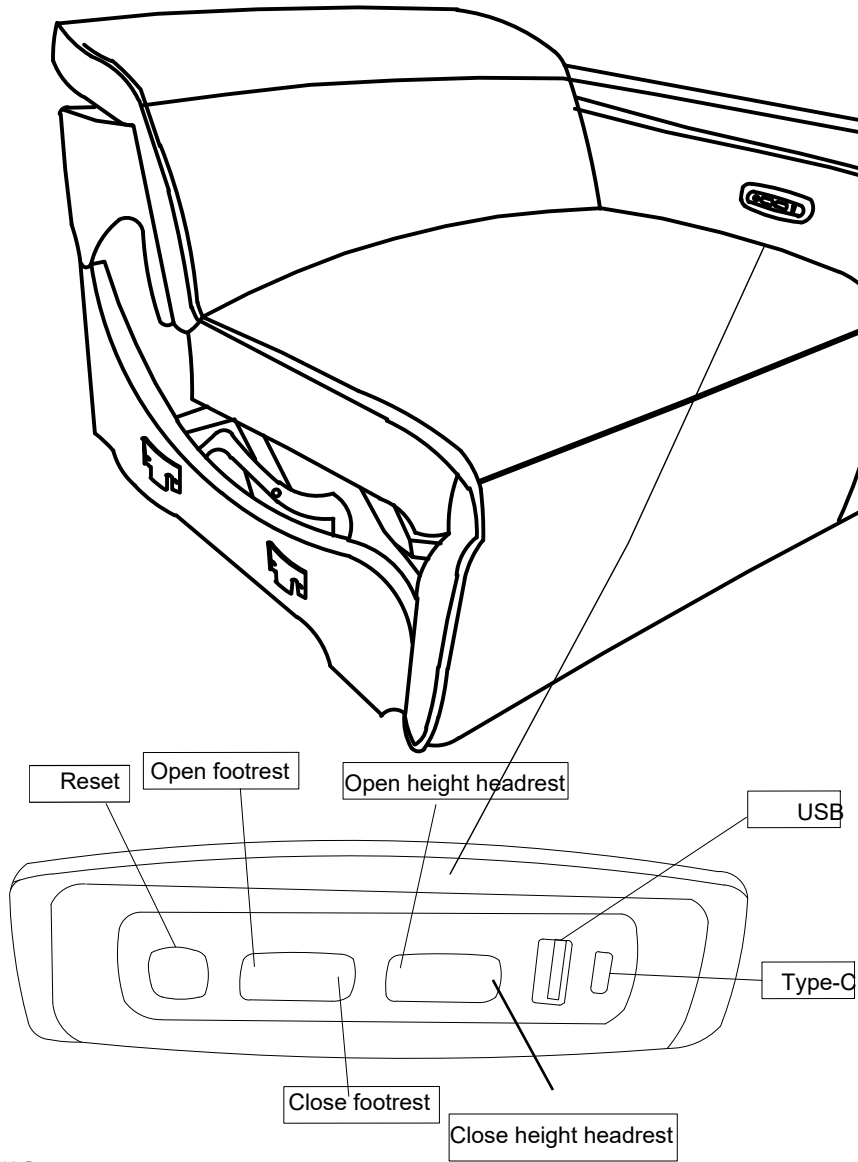
NOTE: Do not use power tools for assembly. The use of power tools increases the risk of over-tightening, which can result in wood splitting or cracking.



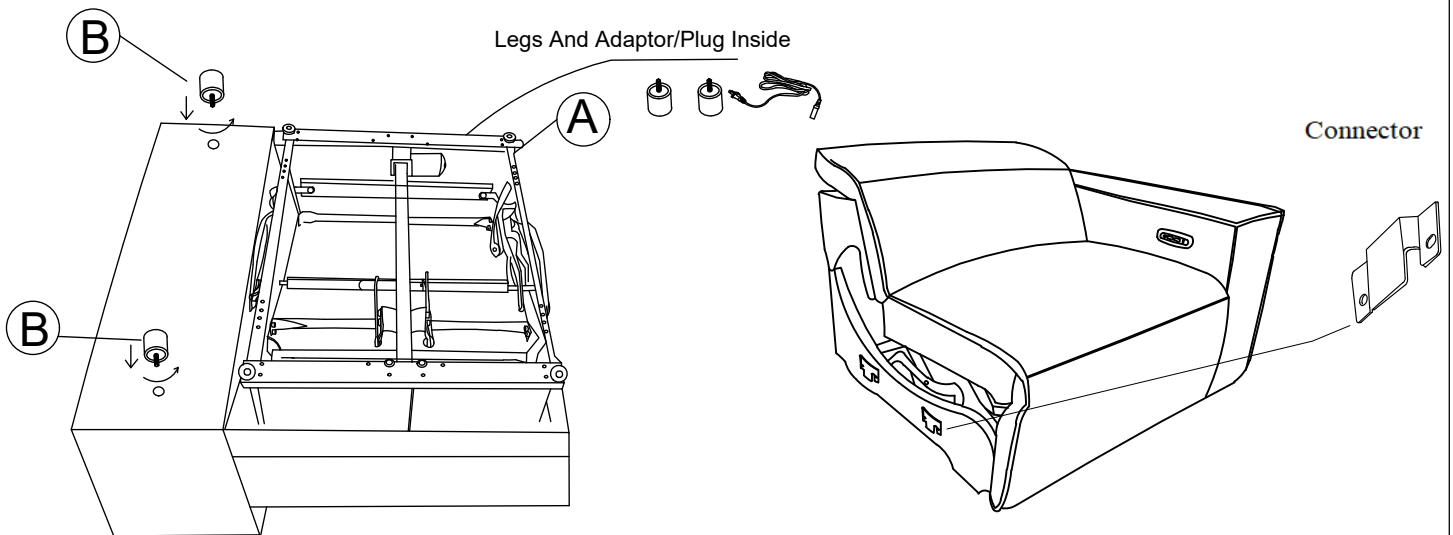
**Component**

No	Drawing	Qty	Description
A		1	SEAT
B		2	PLASTIC LEGS Ø60*40mm
C		1	PLUG

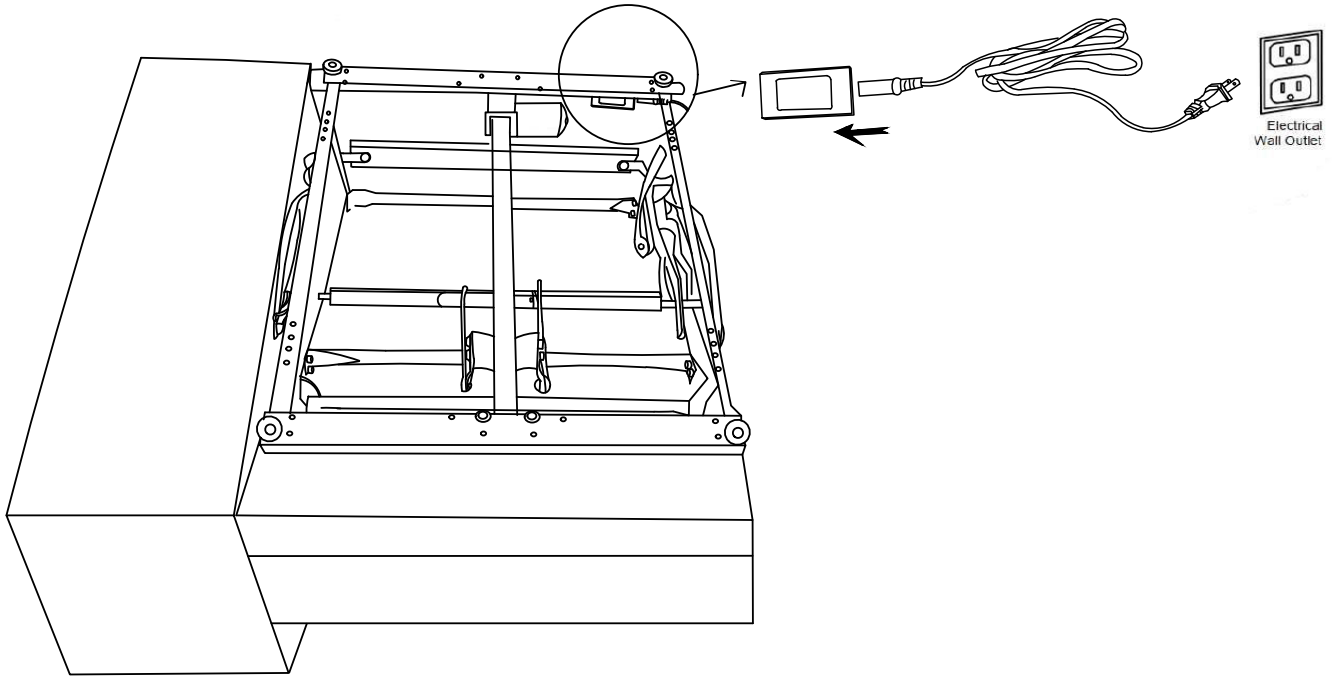
# Step #1



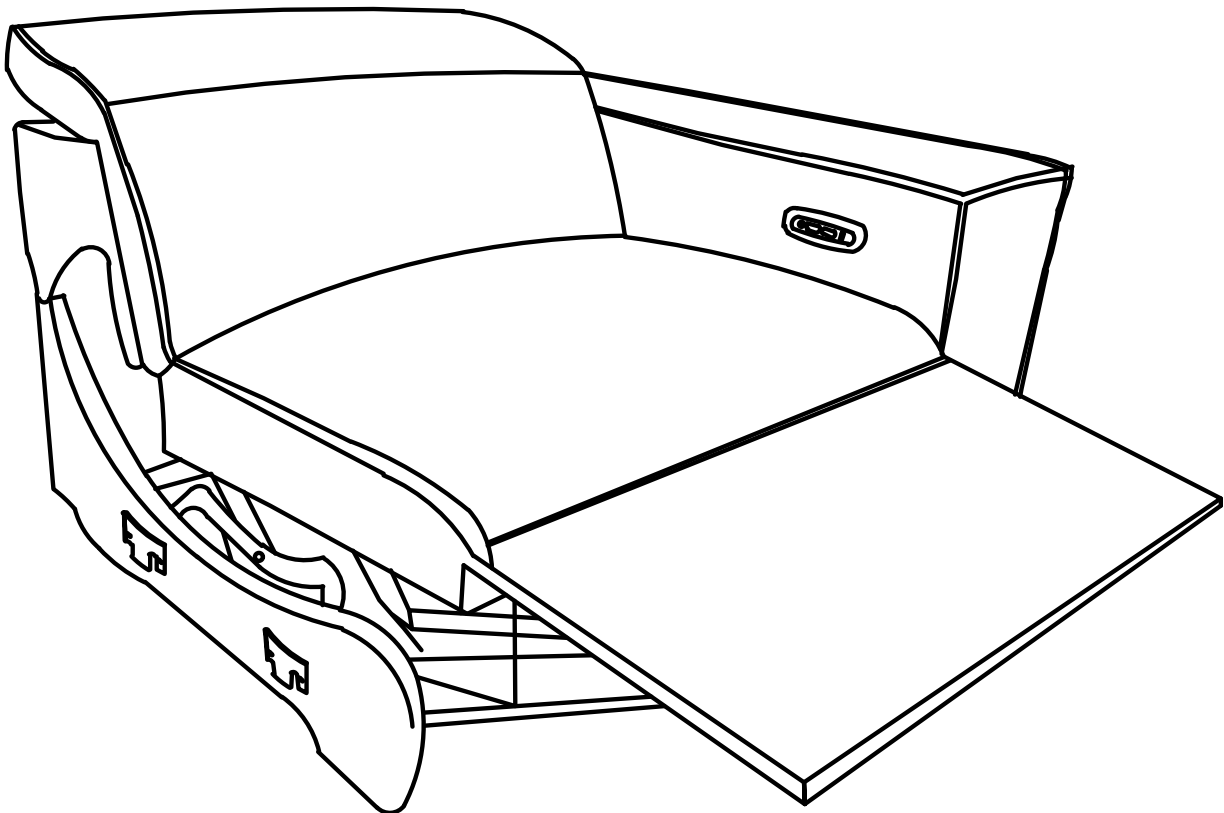
# Step #2



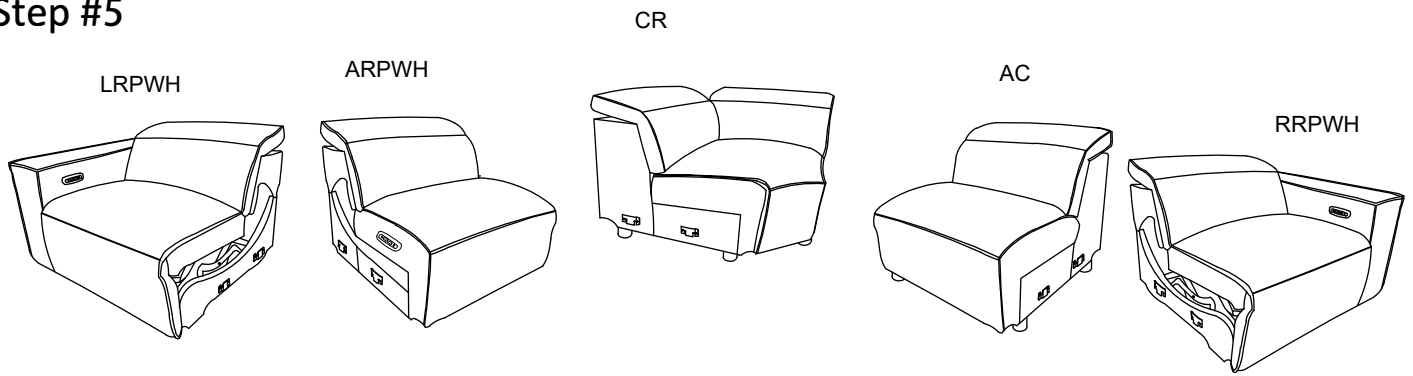
### Step #3



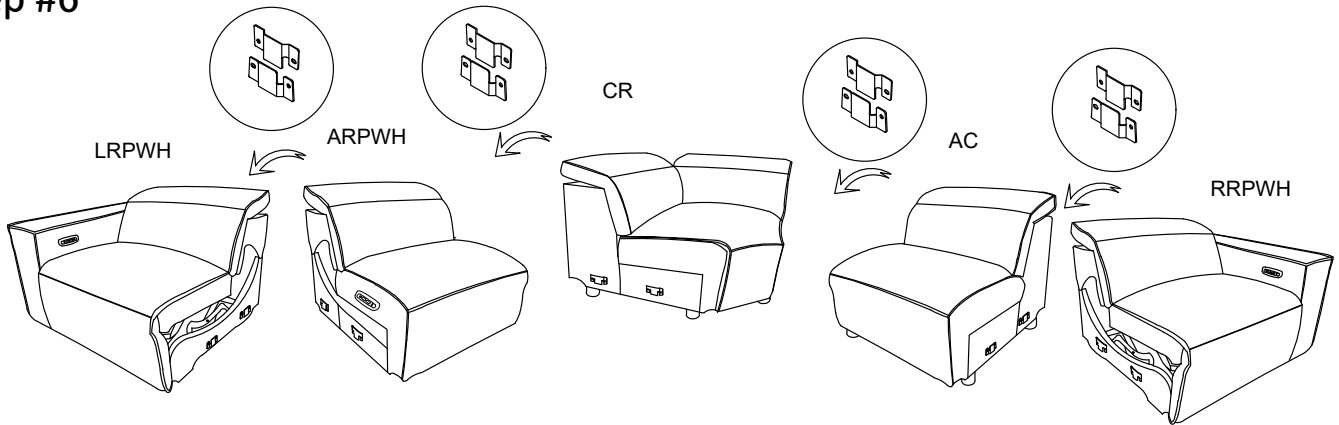
### Step #4



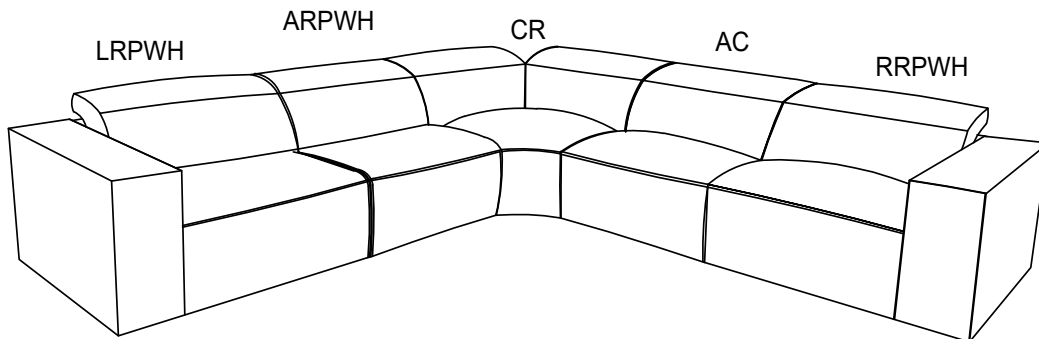
## Step #5



## Step #6



## Step #7



## Care Instruction for Textured Polyester Furniture:

In order to maintain the original appearance of your textured polyester Furniture, please follow below simple care procedures:

- Avoid exposing furniture directly to sunlight or heating and air conditioning outlets. Sunlight and or exposure to heating and air conditioning outlets will fade/damage textured polyester.
- Vacuum or wipe with a soft cloth to remove dust.
- Hardware may loosen over time. Periodically check to make sure all connection are tight, Re-tighten if necessary.



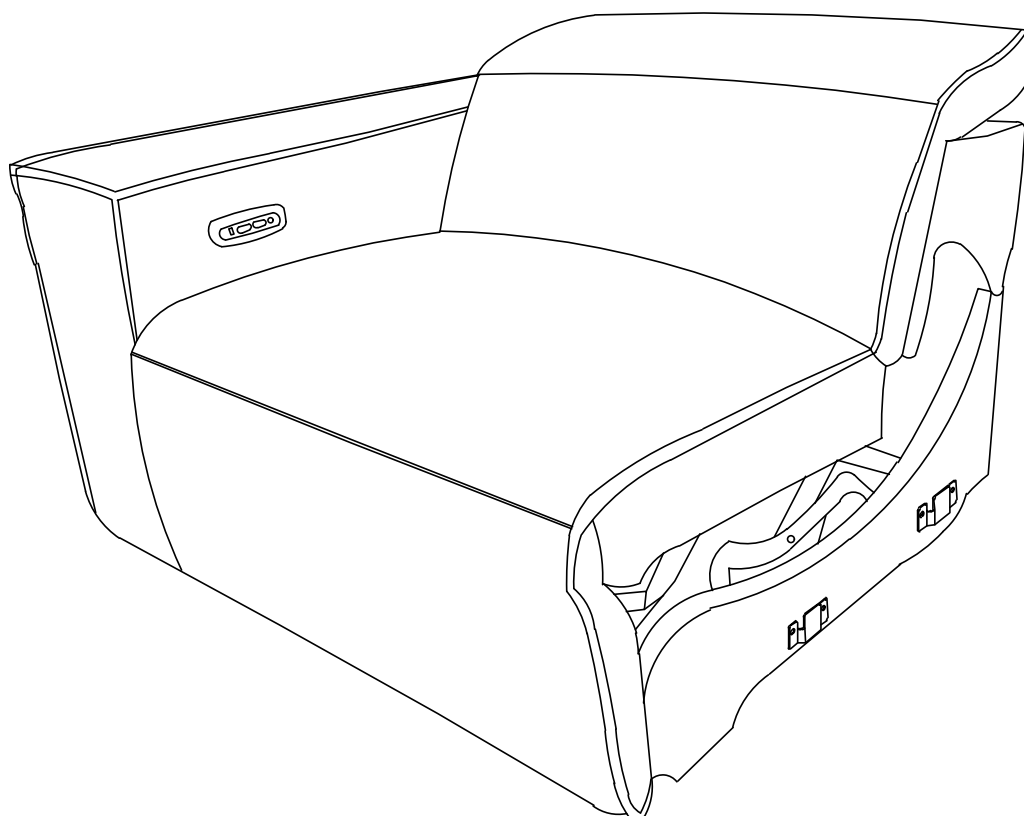
For items use on wooden floor, hard surfaces or carpets, it is recommended to Install protective pads under all legs and supports to avoid/prevent from damages/scratches and discoloration.






**ASSEMBLY INSTRUCTION**  
**ITEM: 8414GRY-LRPWH**  
**(1/5)Power Left Side Reclining**  
**Chair with Power Headrest**  
**and Charging Ports**



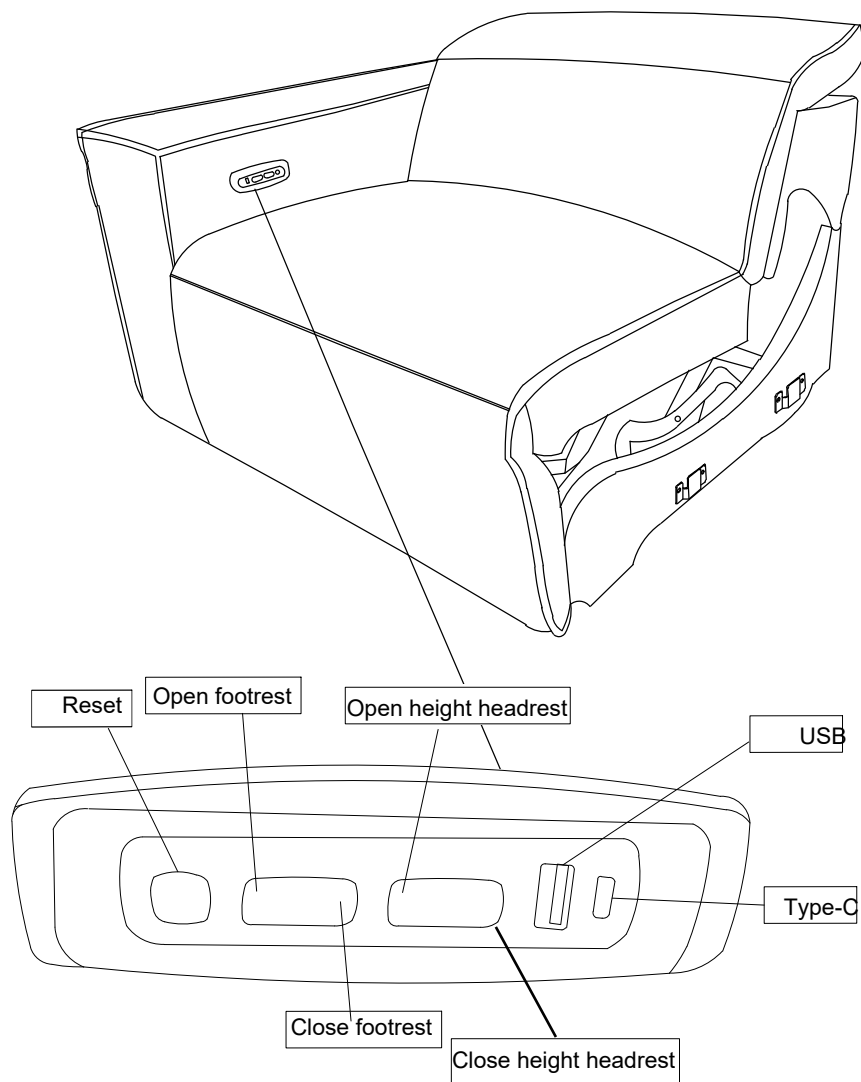
NOTE: Do not use power tools for assembly. The use of power tools increases the risk of over-tightening, which can result in wood splitting or cracking.



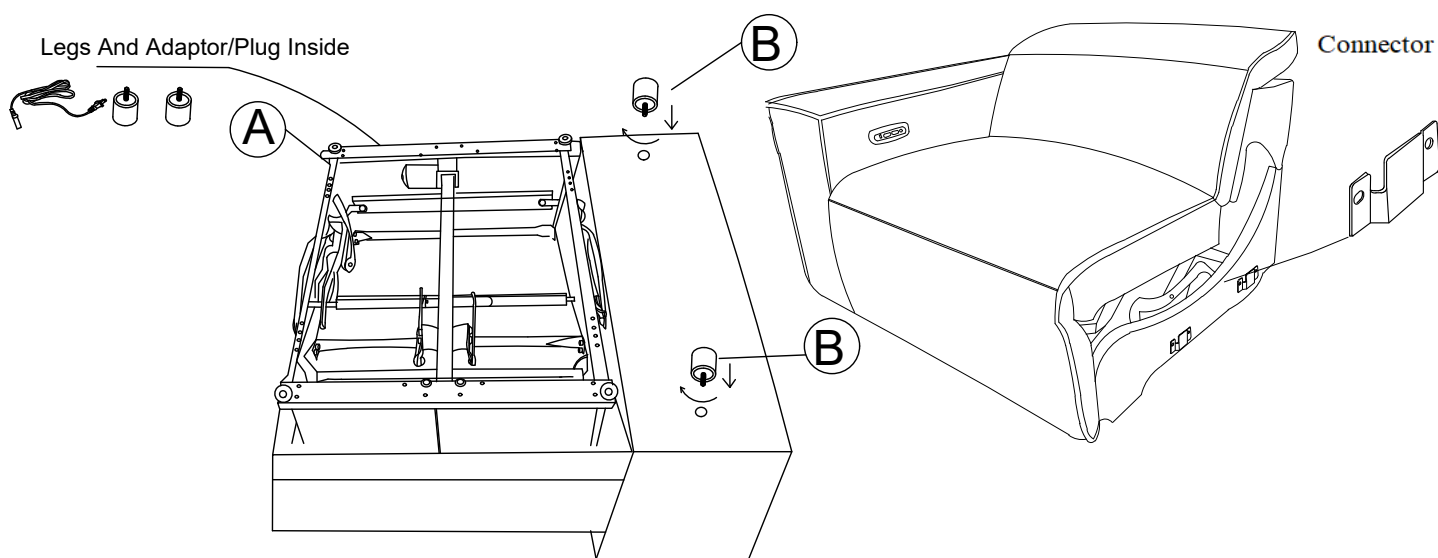
**Component list**

No	Drawing	Qty	Description
A		1	SEAT
B		2	PLASTIC LEGS Ø60*40mm
C		1	PLUG

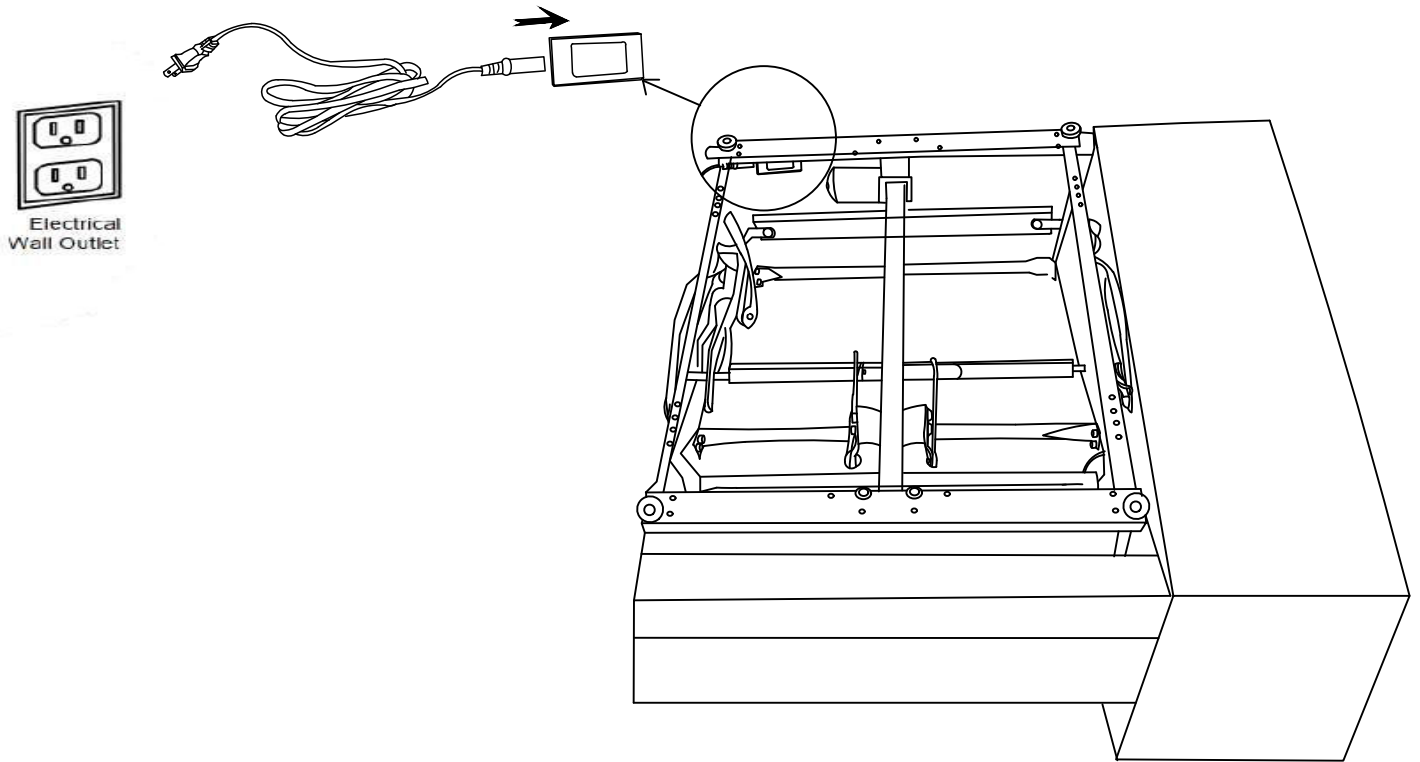
# Step #1



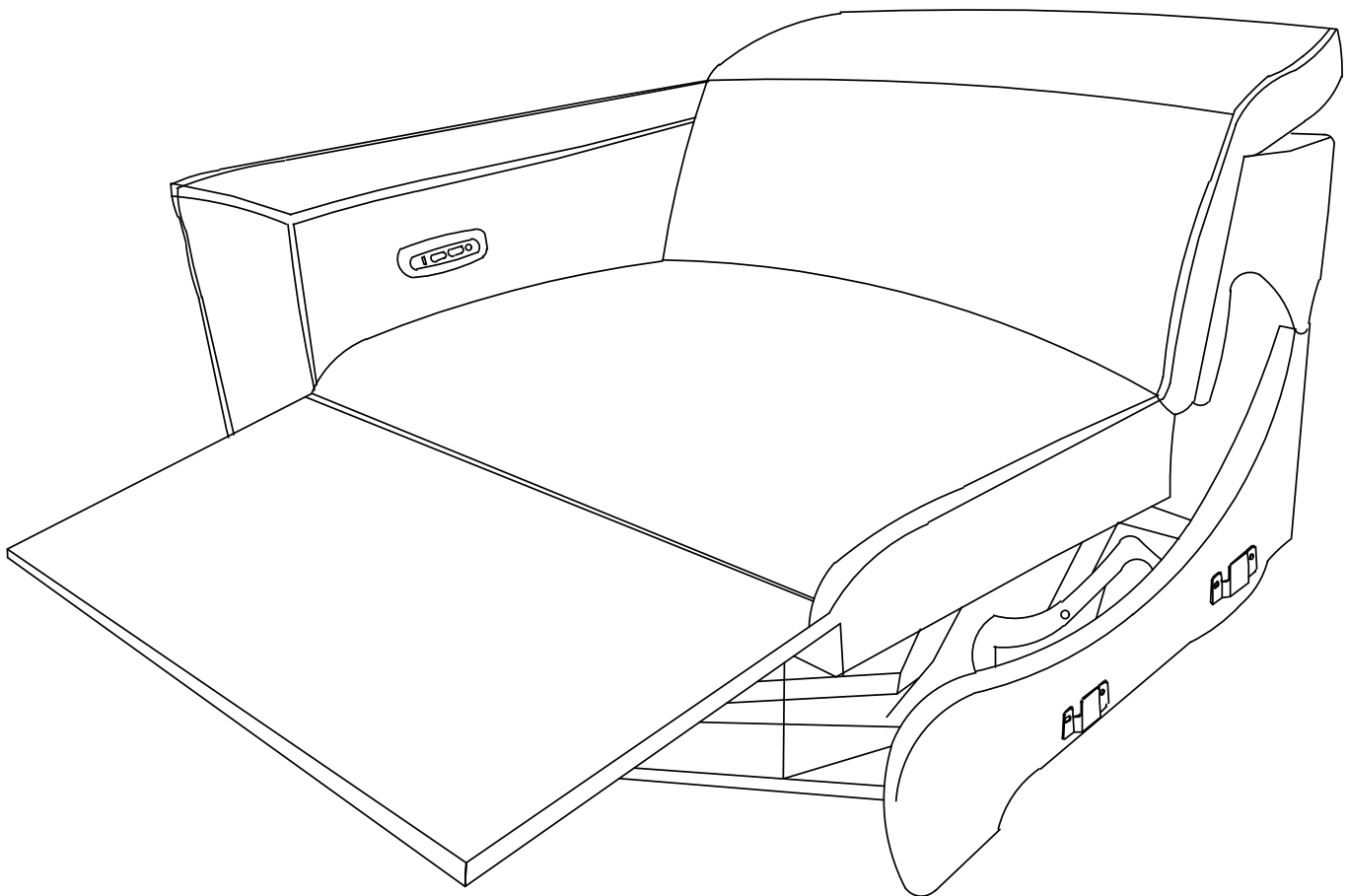
# Step #2



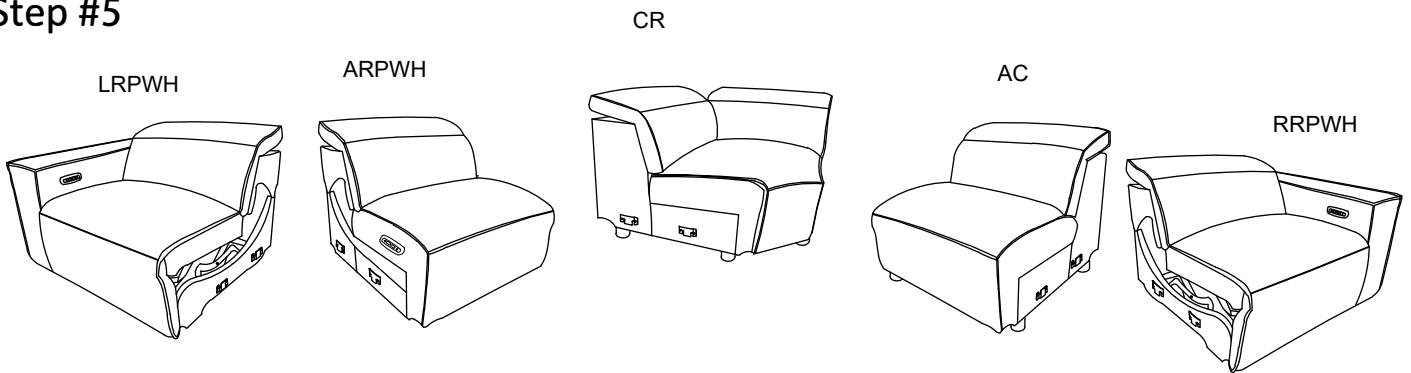
### Step #3



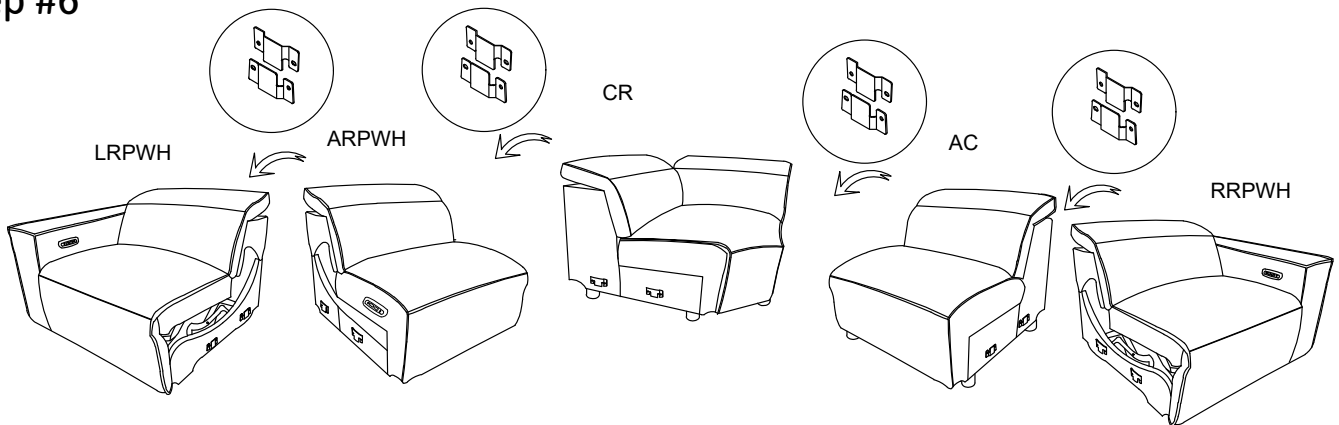
### Step #4



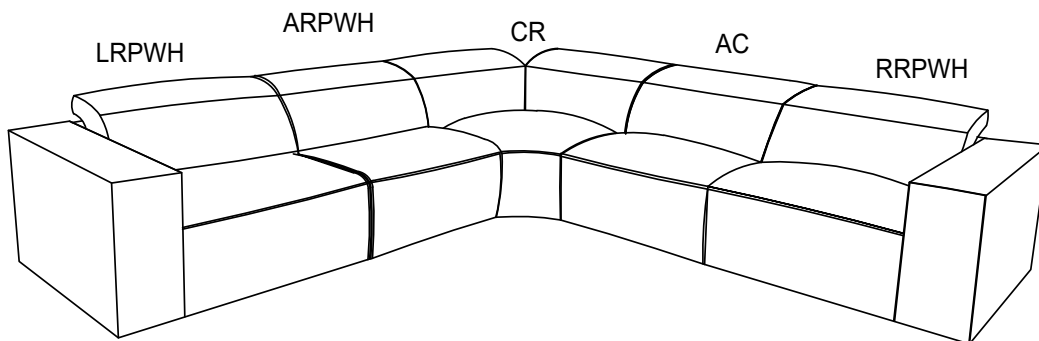
## Step #5



## Step #6



## Step #7



## Care Instruction for Textured Fabric Furniture:

In order to maintain the original appearance of your textured polyester Furniture, please follow below simple care procedures:

- Avoid exposing furniture directly to sunlight or heating and air conditioning outlets. Sunlight and or exposure to heating and air conditioning outlets will fade/damage textured fabric.
- Vacuum or wipe with a soft cloth to remove dust.
- Hardware may loosen over time. Periodically check to make sure all connection are tight, Re-tighten if necessary.



For items use on wooden floor, hard surfaces or carpets, it is recommended to Install protective pads under all legs and supports to avoid/prevent from damages/scratches and discoloration.

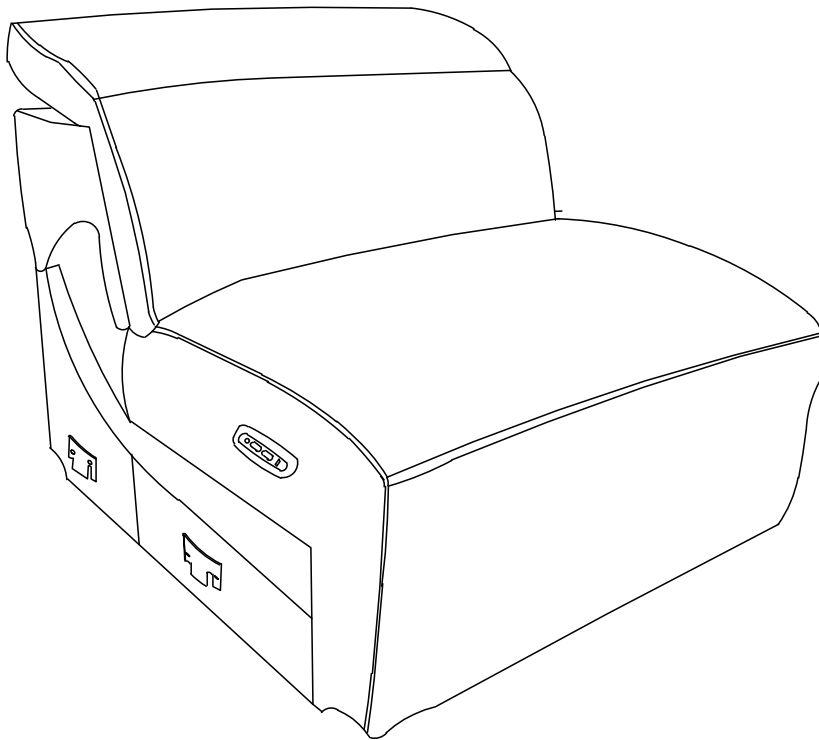


H O M E E L E G A N C E



**ASSEMBLY INSTRUCTION**  
**ITEM: 8414GRY-ARPWH**  
**(3/5)Power Reclining Armless**  
**Chair with Power Headrest**



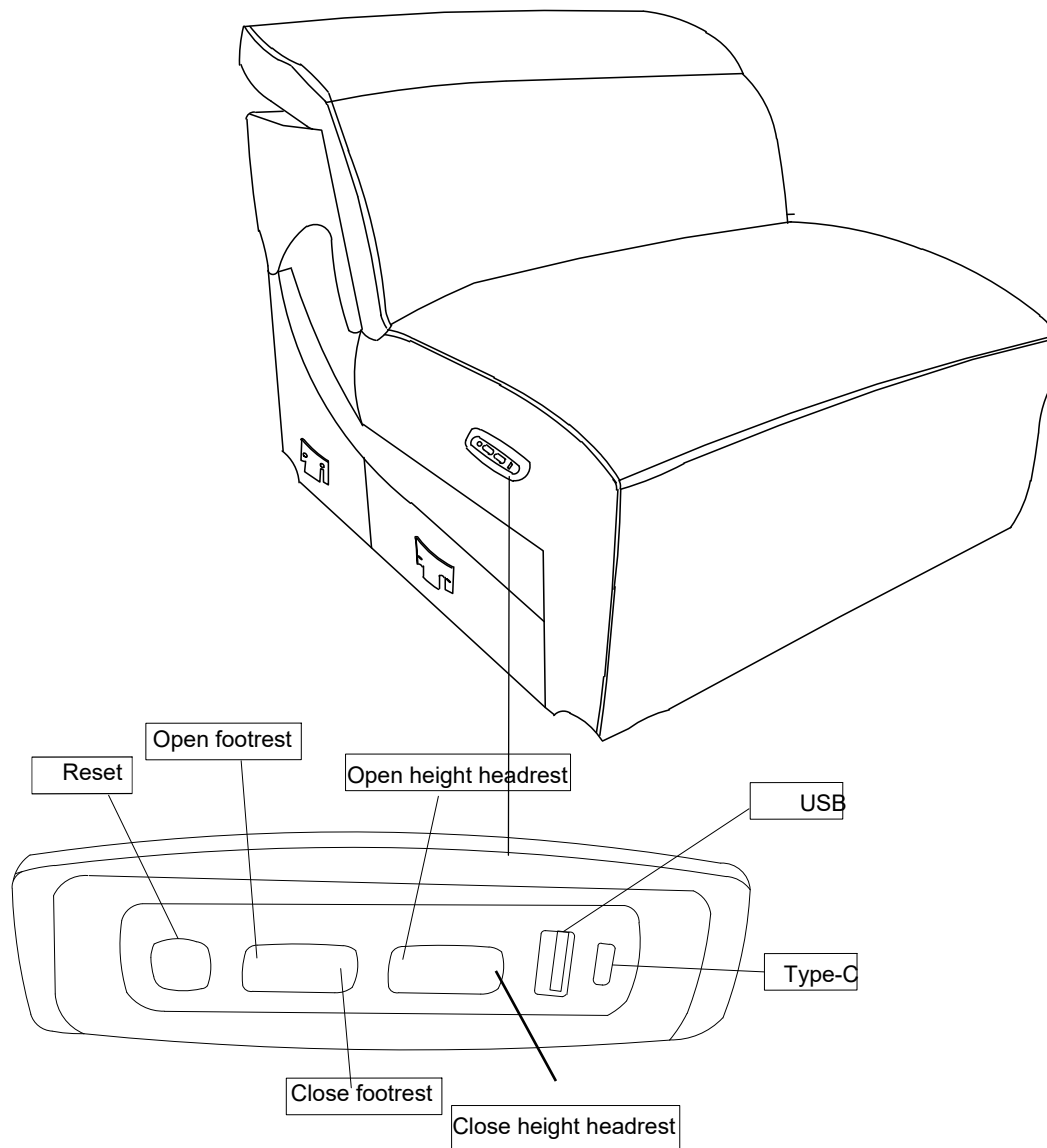
NOTE: Do not use power tools for assembly. The use of power tools increases the risk of over-tightening, which can result in wood splitting or cracking.



**Component**

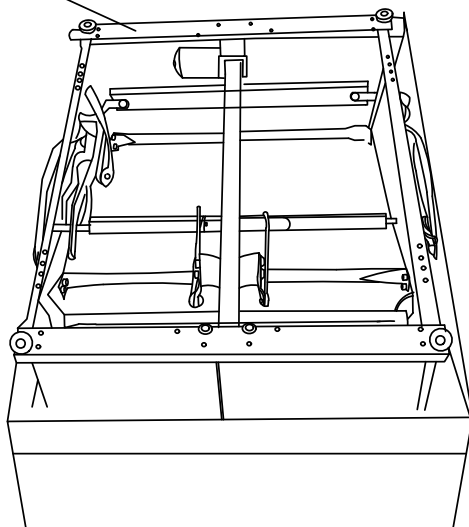
No	Drawing	Qty	Description
A		1	SEAT
B		1	PLUG

# Step #1

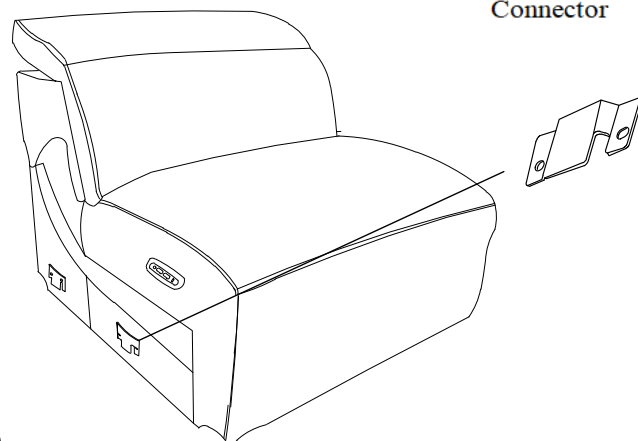


# Step #2

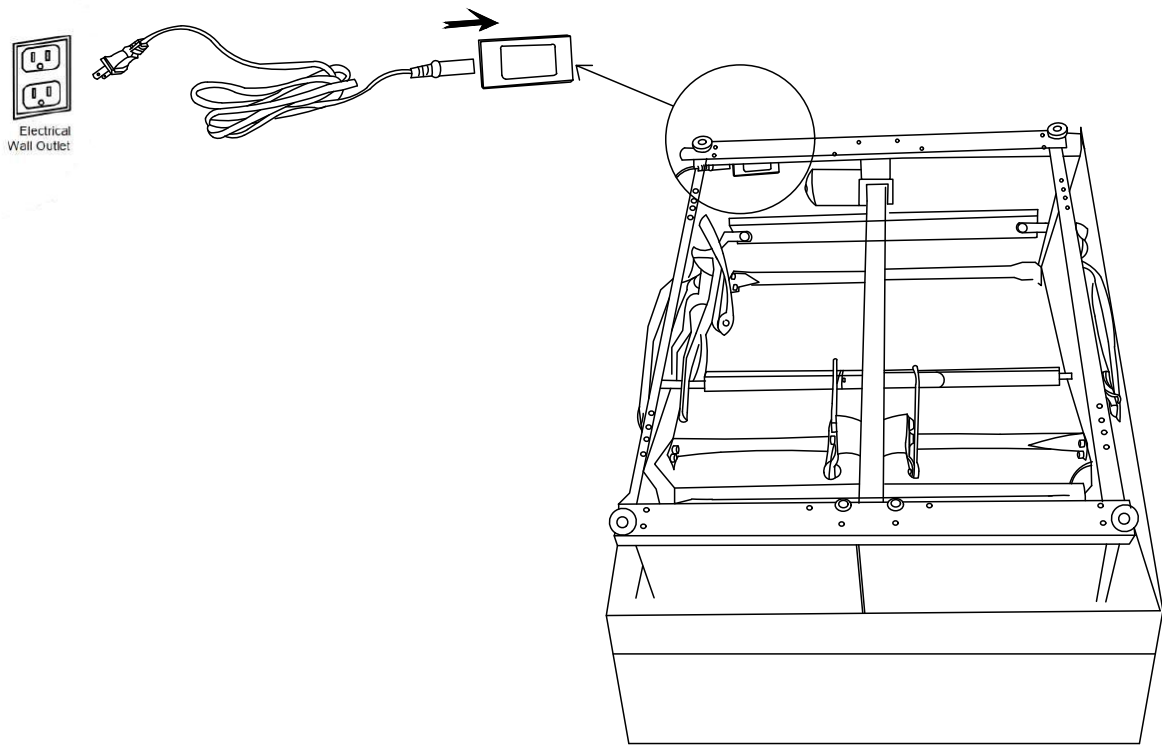
Adaptor/Plug Inside



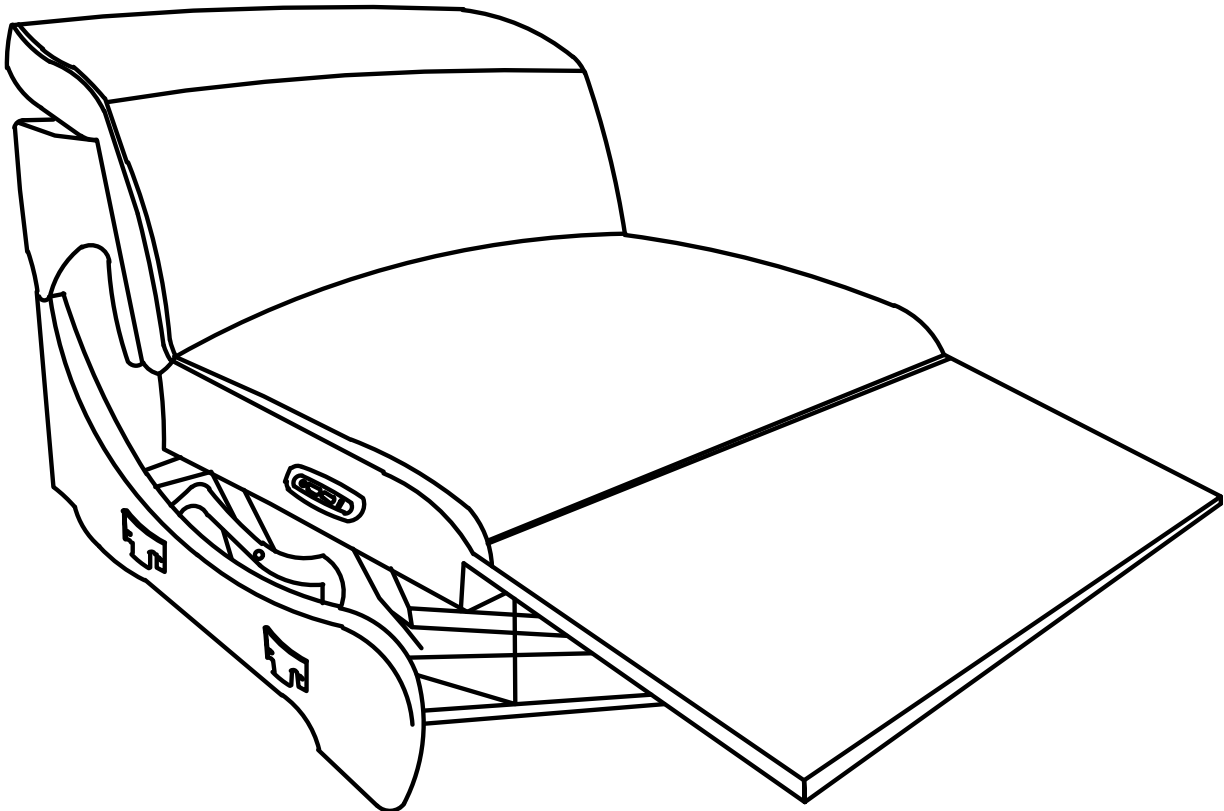
Connector



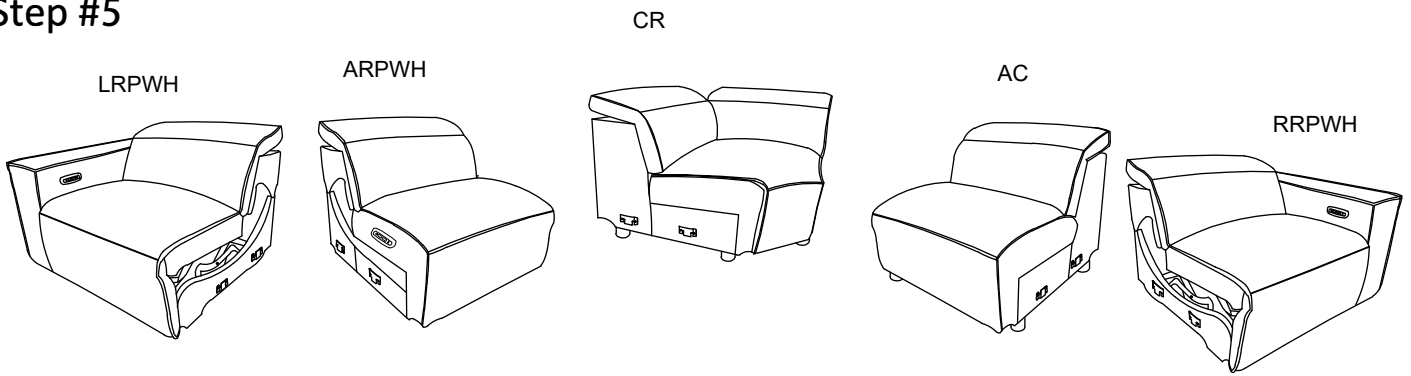
### Step #3



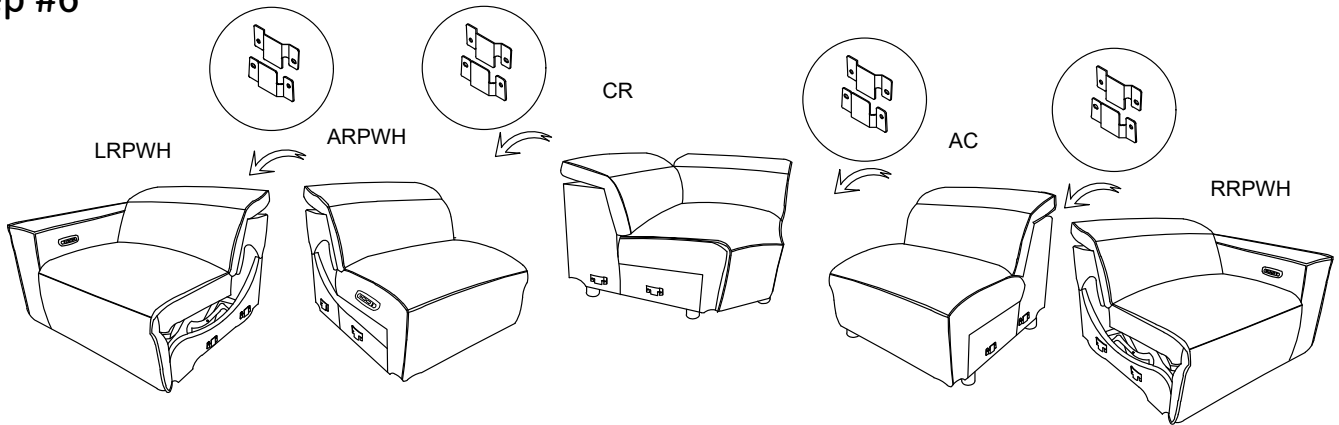
### Step #4



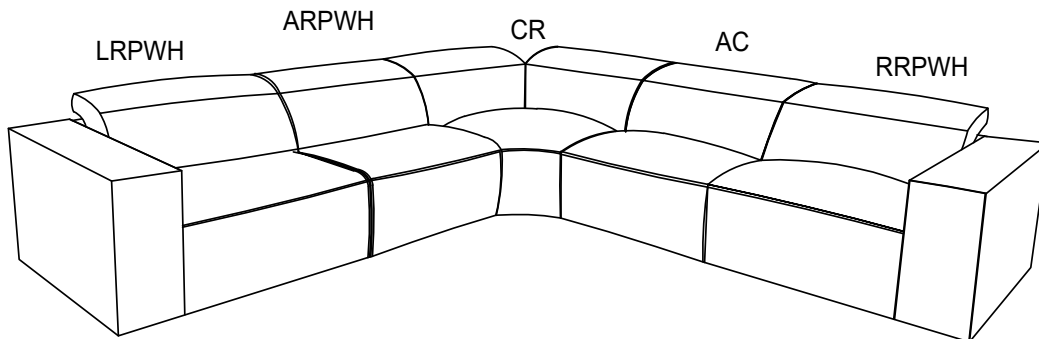
## Step #5



## Step #6



## Step #7



## Care Instruction for Textured Fabric Furniture:

In order to maintain the original appearance of your textured polyester Furniture, please follow below simple care procedures:

- Avoid exposing furniture directly to sunlight or heating and air conditioning outlets. Sunlight and or exposure to heating and air conditioning outlets will fade/damage textured fabric.
- Vacuum or wipe with a soft cloth to remove dust.
- Hardware may loosen over time. Periodically check to make sure all connection are tight, Re-tighten if necessary.



For items use on wooden floor, hard surfaces or carpets, it is recommended to Install protective pads under all legs and supports to avoid/prevent from damages/scratches and discoloration.



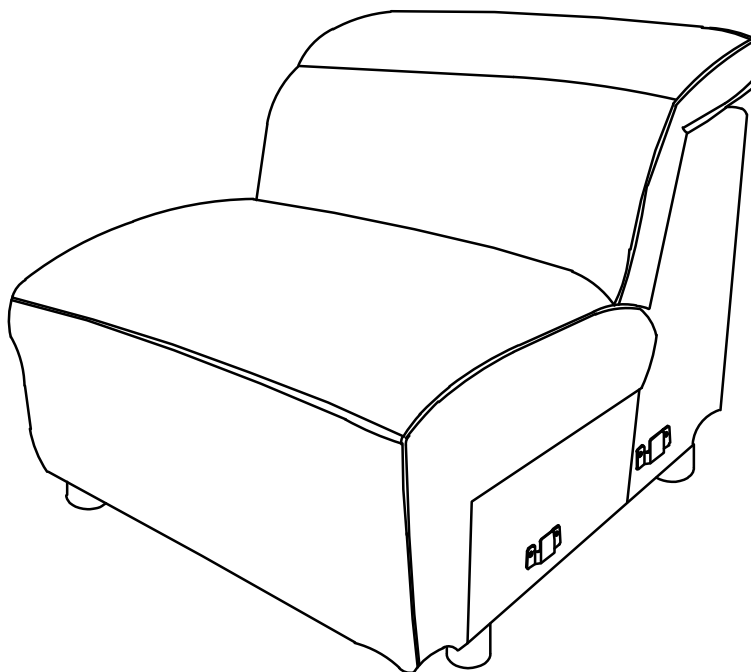
H O M E E L E G A N C E

## ASSEMBLY INSTRUCTION



**ITEM: 8414GRY-AC  
(2/5)Armless Chair**



NOTE: Do not use power tools for assembly. The use of power tools increases the risk of over-tightening, which can result in wood splitting or cracking.

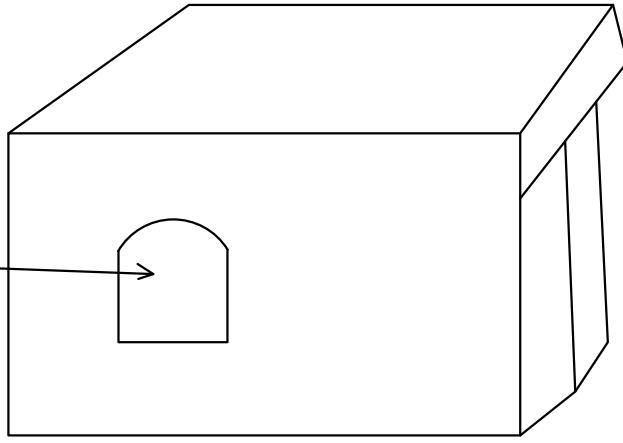
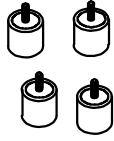


### Component

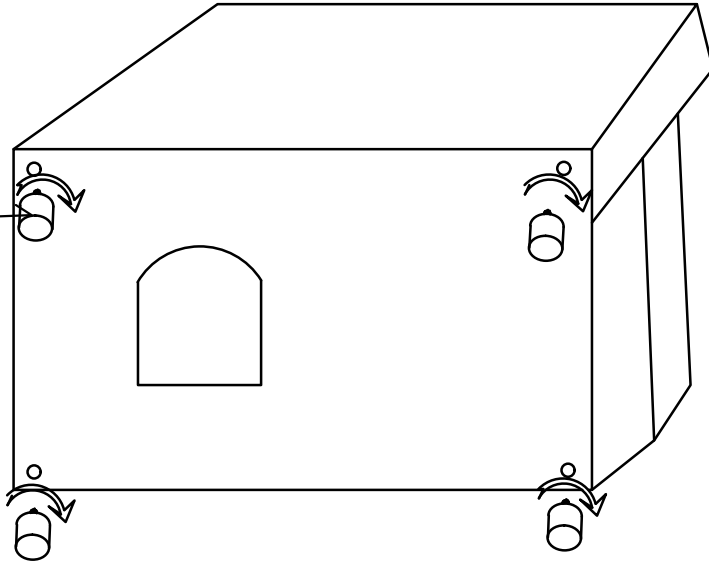
No	Drawing	Qty	Description
A		1	SEAT
B		4	PLASTIC LEGS Ø60*40mm

# Step #1

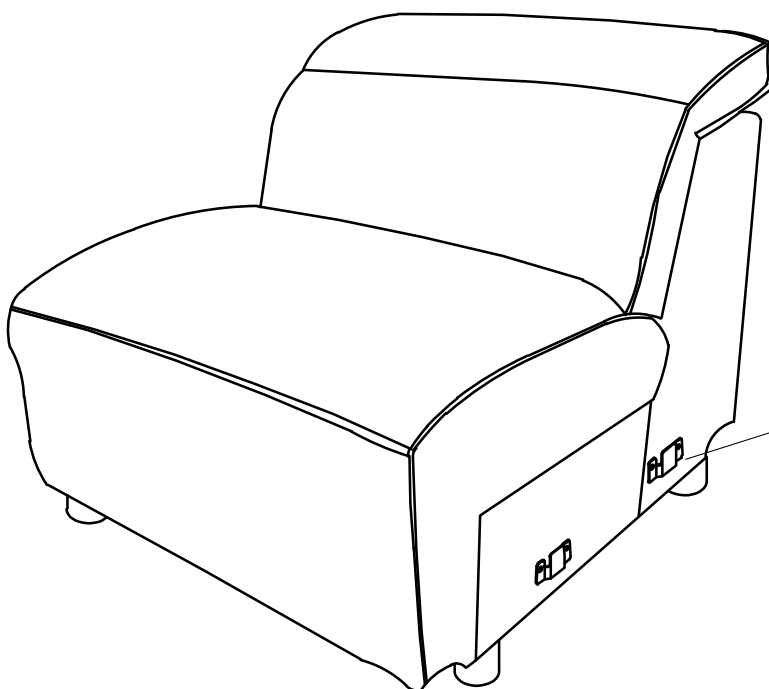
LEGS INSIDE



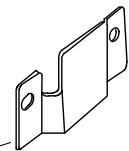
**B**



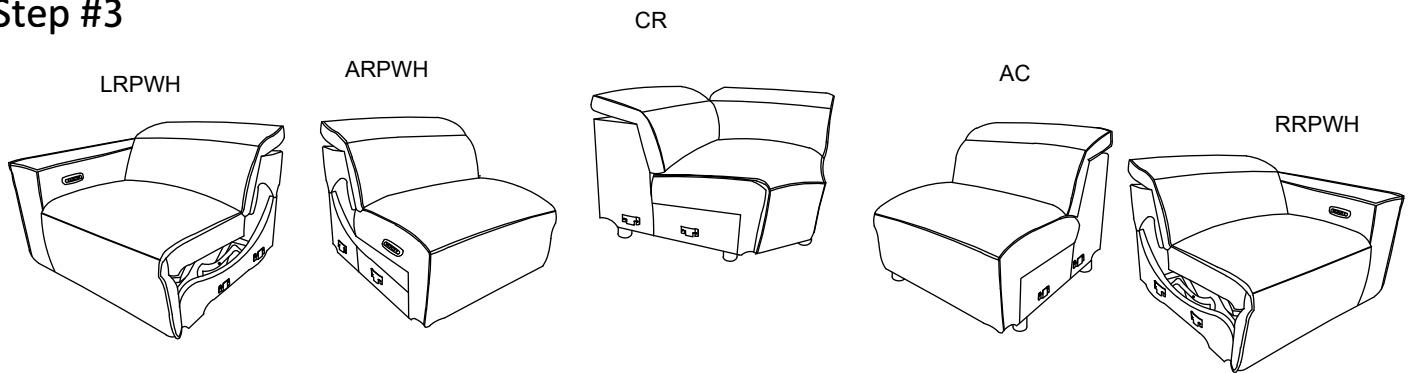
# Step #2



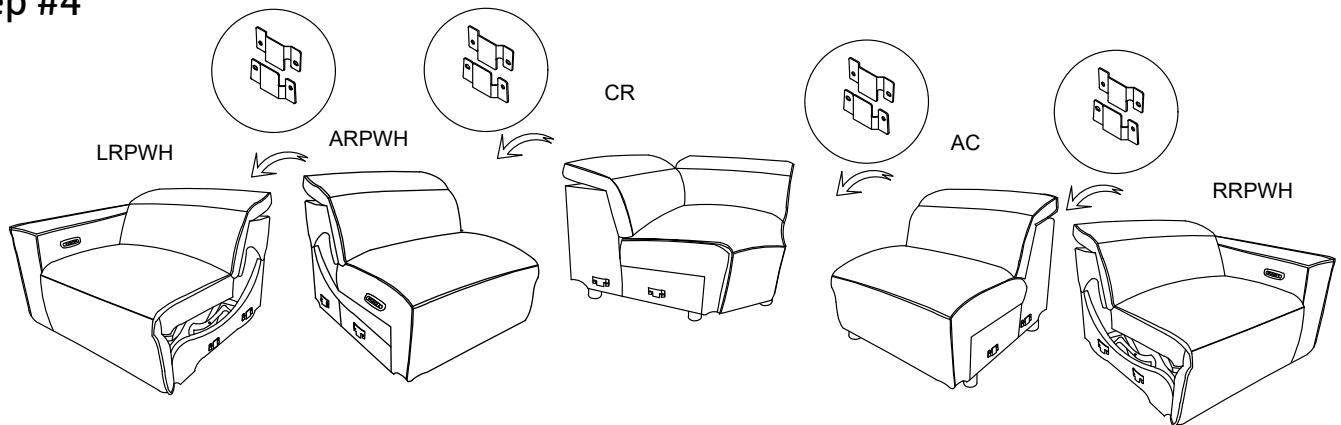
Connector



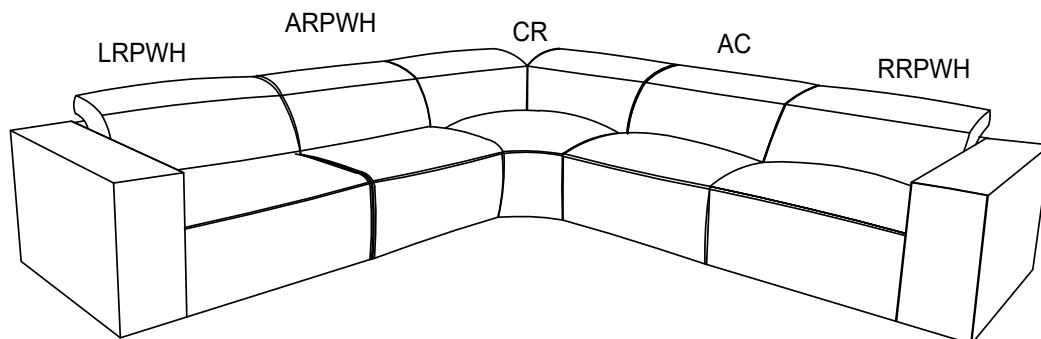
### Step #3



### Step #4



### Step #5



## Care Instruction for Textured Fabric Furniture:

In order to maintain the original appearance of your textured fabric Furniture, please follow below simple care procedures:

- Avoid exposing furniture directly to sunlight or heating and air conditioning outlets. Sunlight and or exposure to heating and air conditioning outlets will fade/damage textured fabric.
- Vacuum or wipe with a soft cloth to remove dust.
- Hardware may loosen over time. Periodically check to make sure all connection are tight, Re-tighten if necessary.



For items use on wooden floor, hard surfaces or carpets, it is recommended to Install protective pads under all legs and supports to avoid/prevent from damages/scratches and discoloration.