



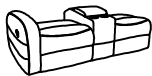




ASSEMBLY INSTRUCTION




ITEM NO: 8406GY-2LCN

LSF RECLINING LOVE SEAT WITH CONSOLE

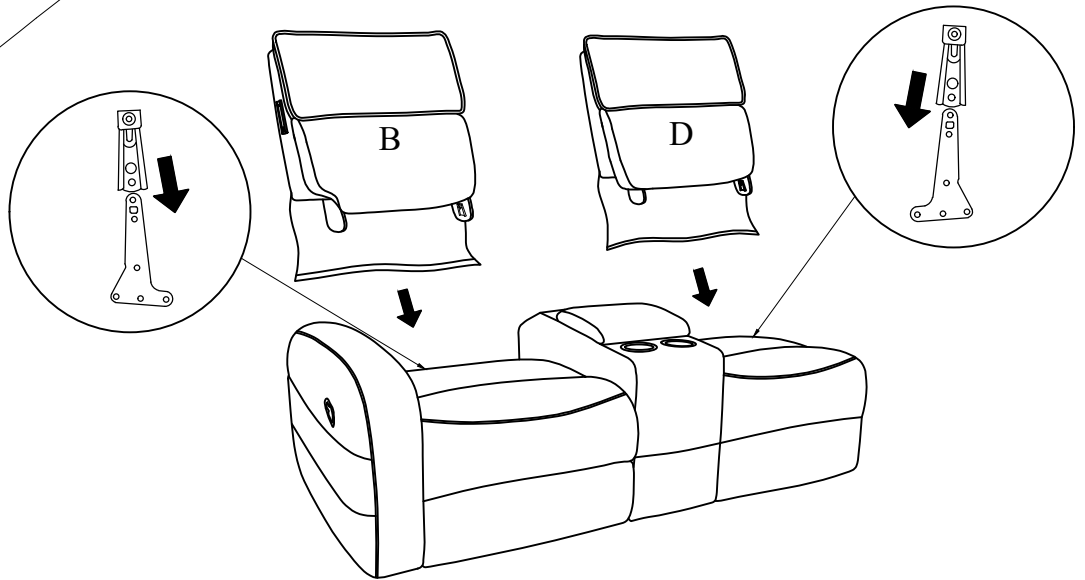
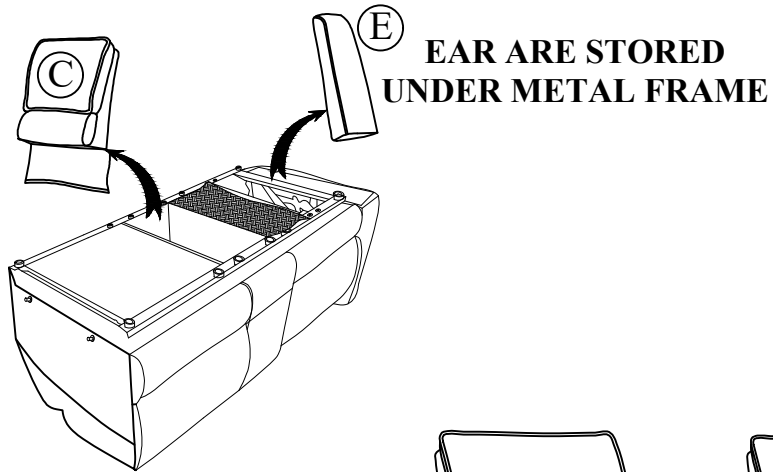
 **HARDWARE ARE STORED IN THE BOX, PLEASE TAKE OUT FOR ASSEMBLY**

NOTE: Do not use power tools for assembly. The use of power tools increases the risk of over-tightening, which can result in wood splitting or cracking.

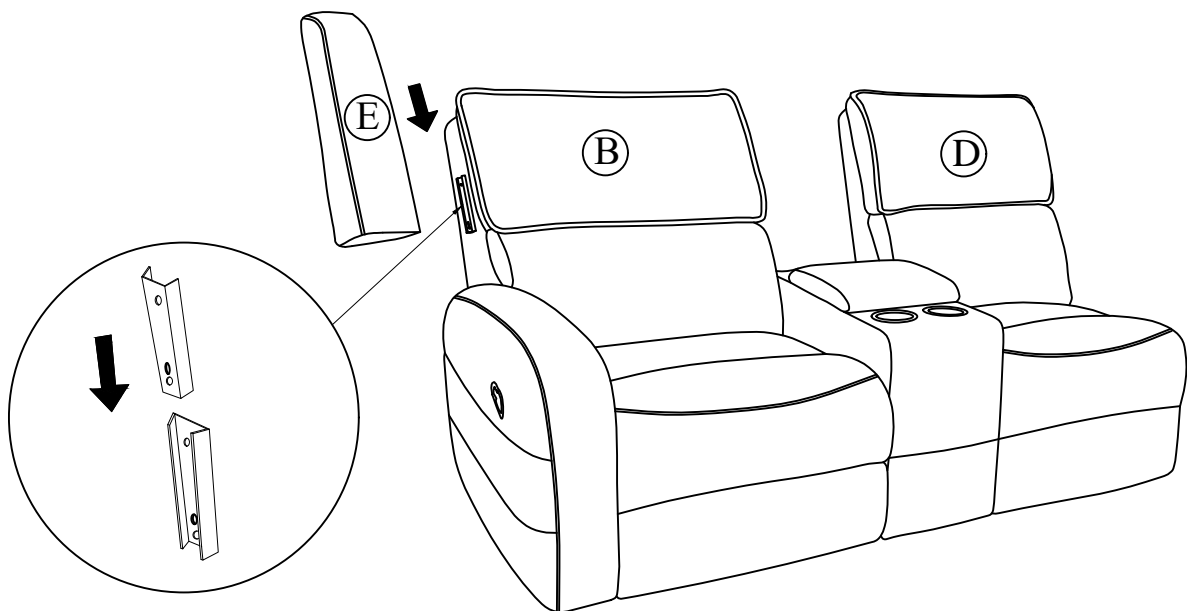
TOOLS REQUIRED : LSF RECLINING LOVE SEAT WITH CONSOLE			
NO.	DRAWING	QTY	DESCRIPTION
A		1	SEAT BASE
B		1	LSF BACK REST
C		1	CONSOLE BACK REST
D		1	RSF BACK REST
E		1	LSF EAR

HARDWARE LIST : LSF RECLINING LOVE SEAT WITH CONSOLE			
NO.	DRAWING	QTY	DESCRIPTION
1		2	THREADED BOLT (2.7inch)
2		2	PLASTIC NUT
3		2	WASHERS (Ø 4.7CM)

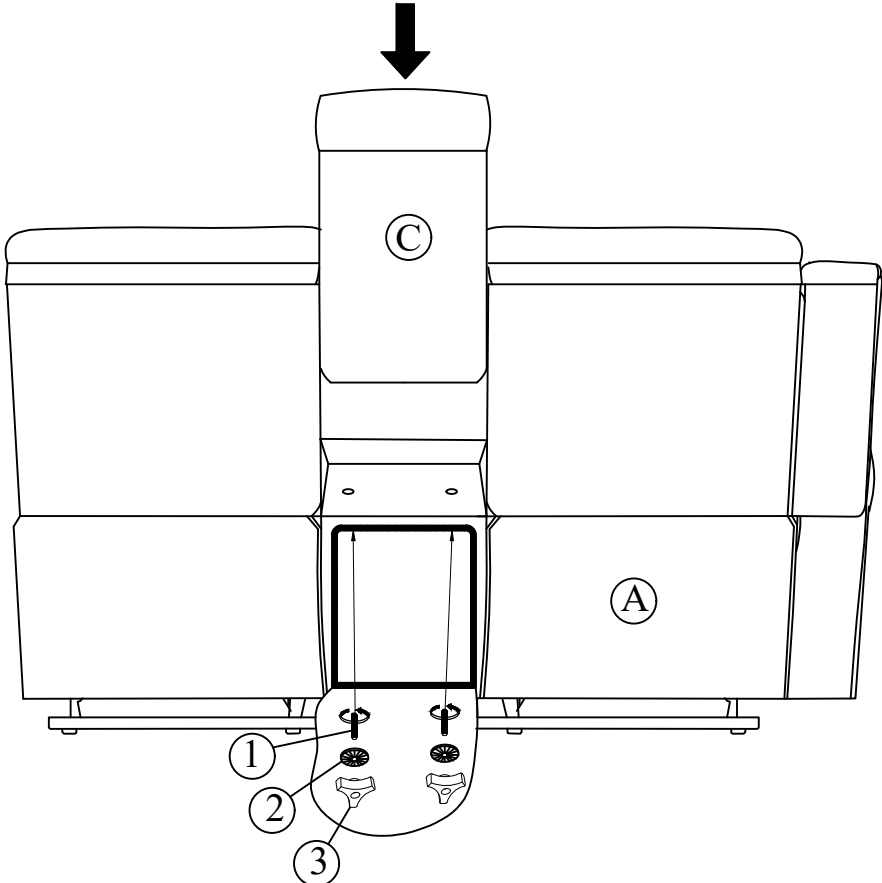
STEP 1



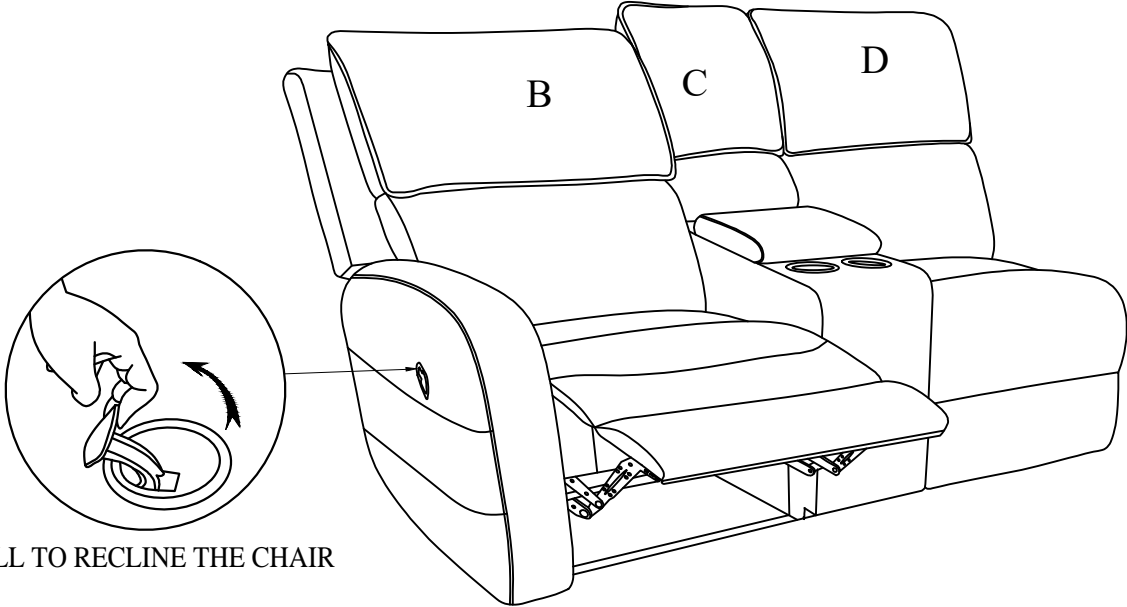
STEP 2



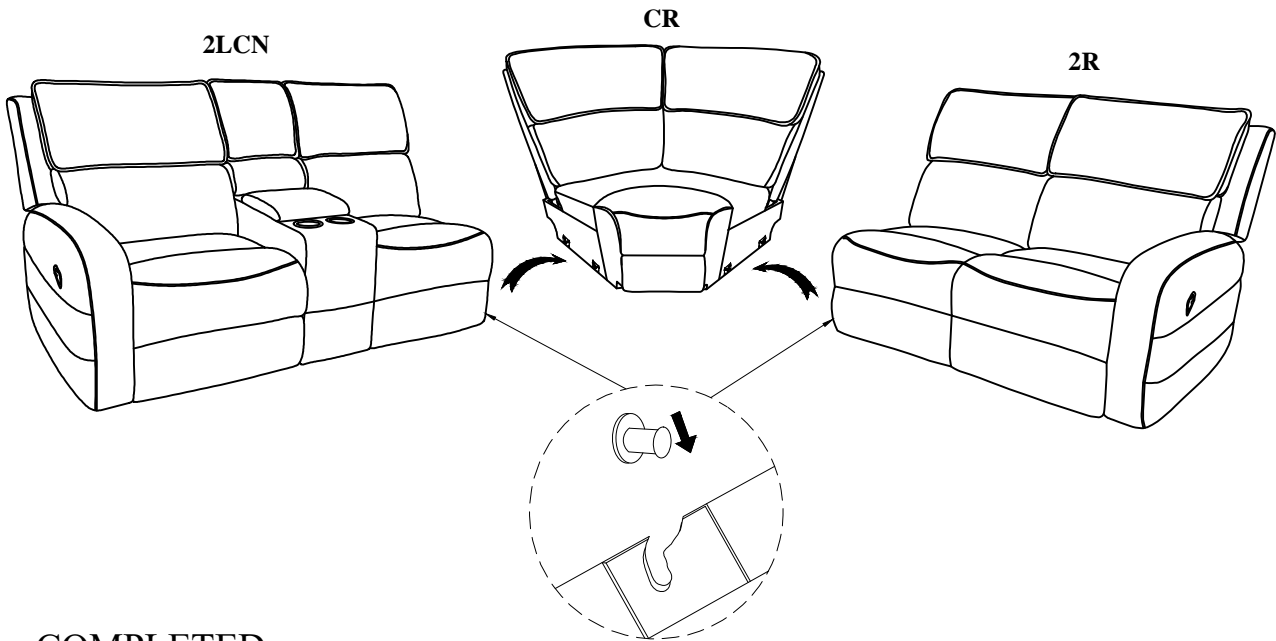
STEP 3



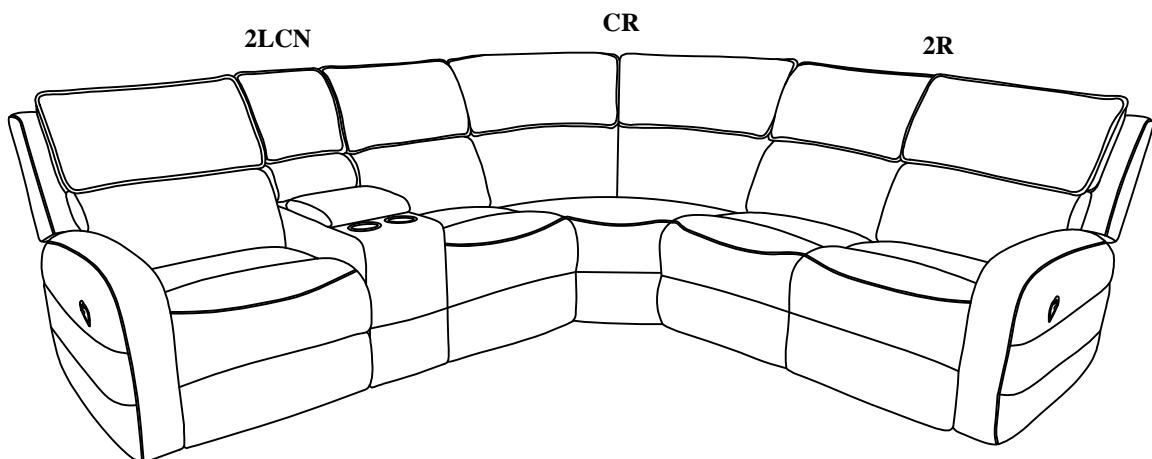
STEP 4



STEP 5



COMPLETED



Care Instruction for Chenille Furniture.

In order to maintain the original appearance of your Chenille furniture, please follow below simple care procedures:

- Avoid exposing furniture directly to sunlight or heating and air conditioning outlets. Sunlight and/or exposure to heating and air conditioning outlets will fade/damage Chenille.
- Do not place your Chenille furniture too close to windows, radiators, or vents.
- Vacuum or wipe with a soft brush to remove dust.
- Hardware may loosen over time. Periodically check to make sure all connection are tight, Re-tighten if necessary.



For items use on wooden floor, hard surfaces or carpets, it is recommended to install protective pads under all legs and supports to avoid/prevent from damages/scratches and discoloration.






ASSEMBLY INSTRUCTION

ITEM NO: 8406GY-CR

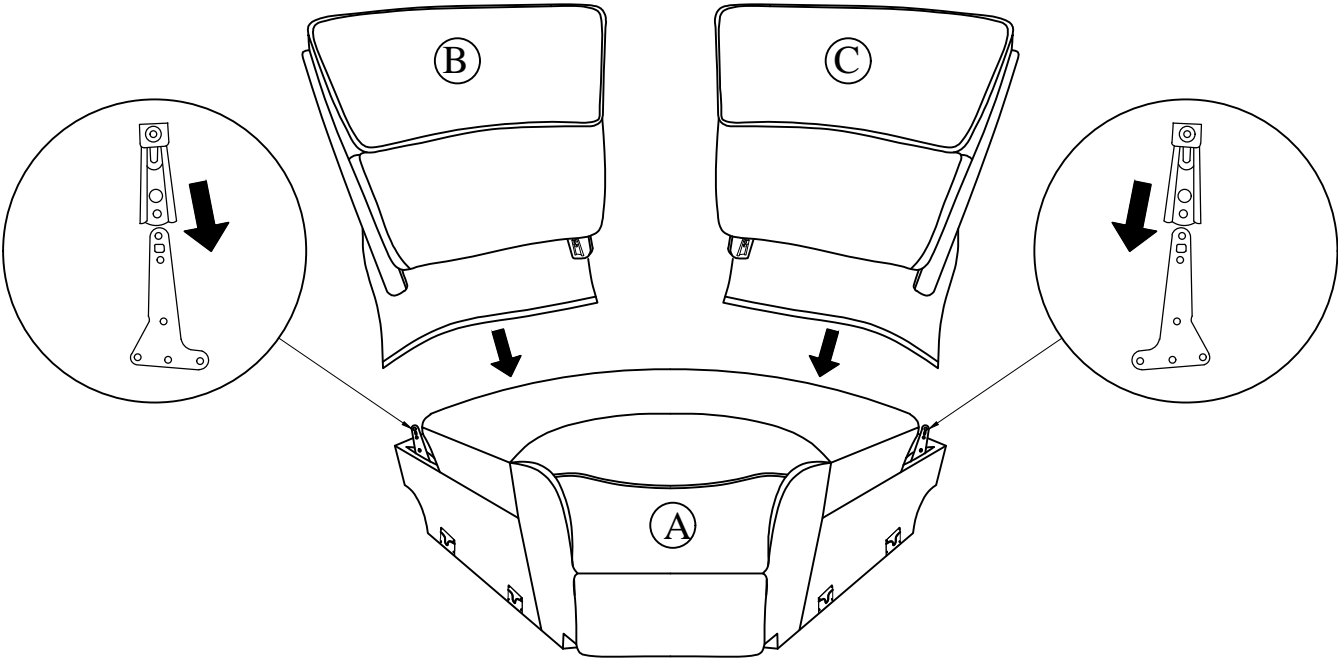
CORNER SEAT



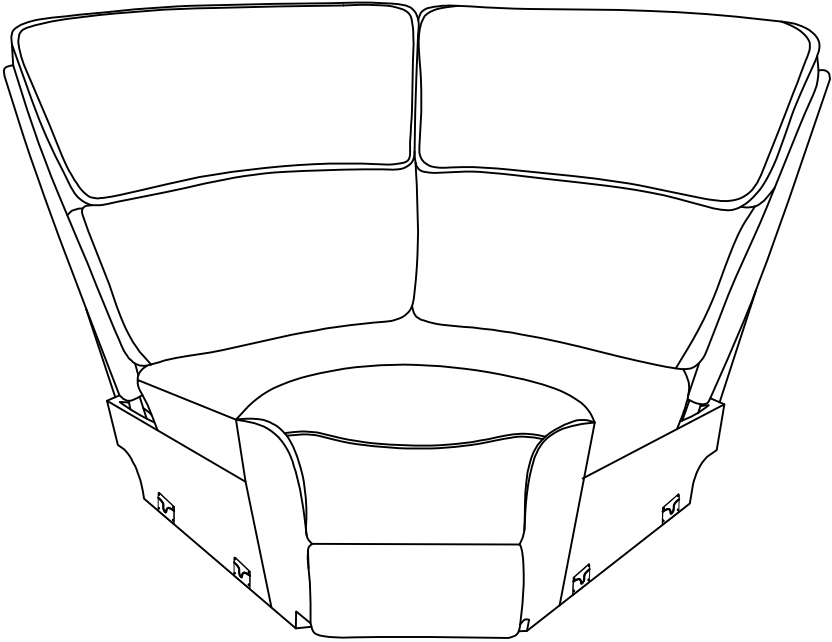
NOTE: Do not use power tools for assembly. The use of power tools increases the risk of over-tightening, which can result in wood splitting or cracking.

TOOLS REQUIRED : LSF RECLINING LOVE SEAT WITH CONSOLE			
NO.	DRAWING	QTY	DESCRIPTION
A		1	SEAT BASE
B		1	LSF BACK REST
C		1	RSF BACK REST

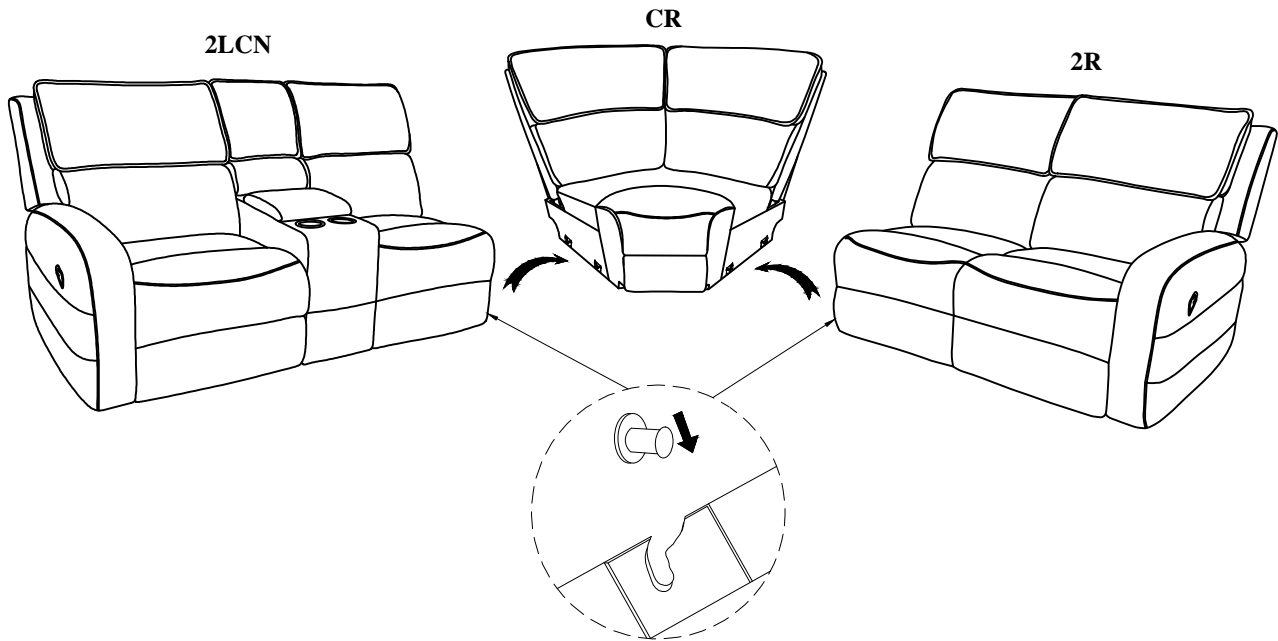
STEP 1



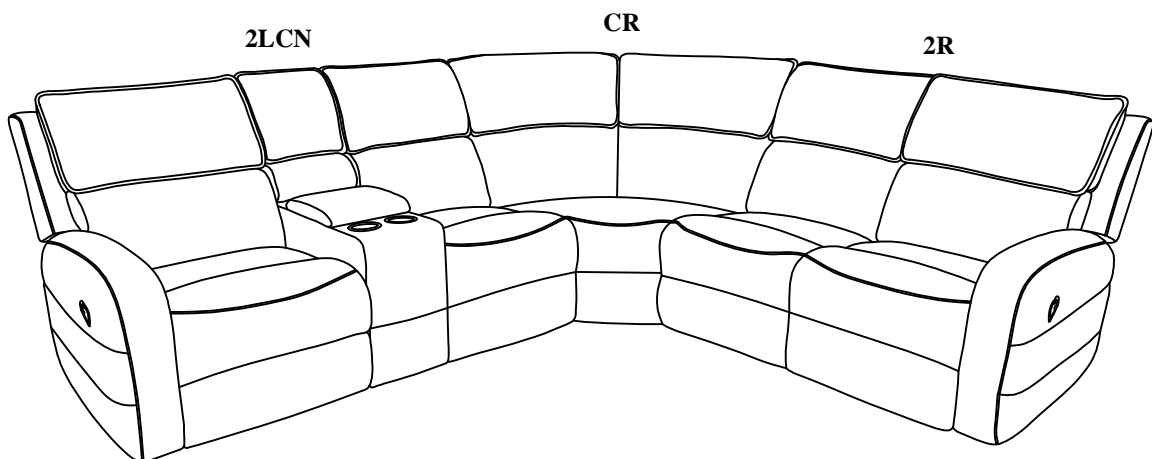
STEP 2



STEP 3



COMPLETED



Care Instruction for Chenille Furniture.

In order to maintain the original appearance of your Chenille furniture, please follow below simple care procedures:

- Avoid exposing furniture directly to sunlight or heating and air conditioning outlets. Sunlight and/or exposure to heating and air conditioning outlets will fade/damage Chenille.
- Do not place your Chenille furniture too close to windows, radiators, or vents.
- Vacuum or wipe with a soft brush to remove dust.
- Hardware may loosen over time. Periodically check to make sure all connection are tight, Re-tighten if necessary.



For items use on wooden floor, hard surfaces or carpets, it is recommended to install protective pads under all legs and supports to avoid/prevent from damages/scratches and discoloration.



ASSEMBLY INSTRUCTION

ITEM NO: 8406GY-2R

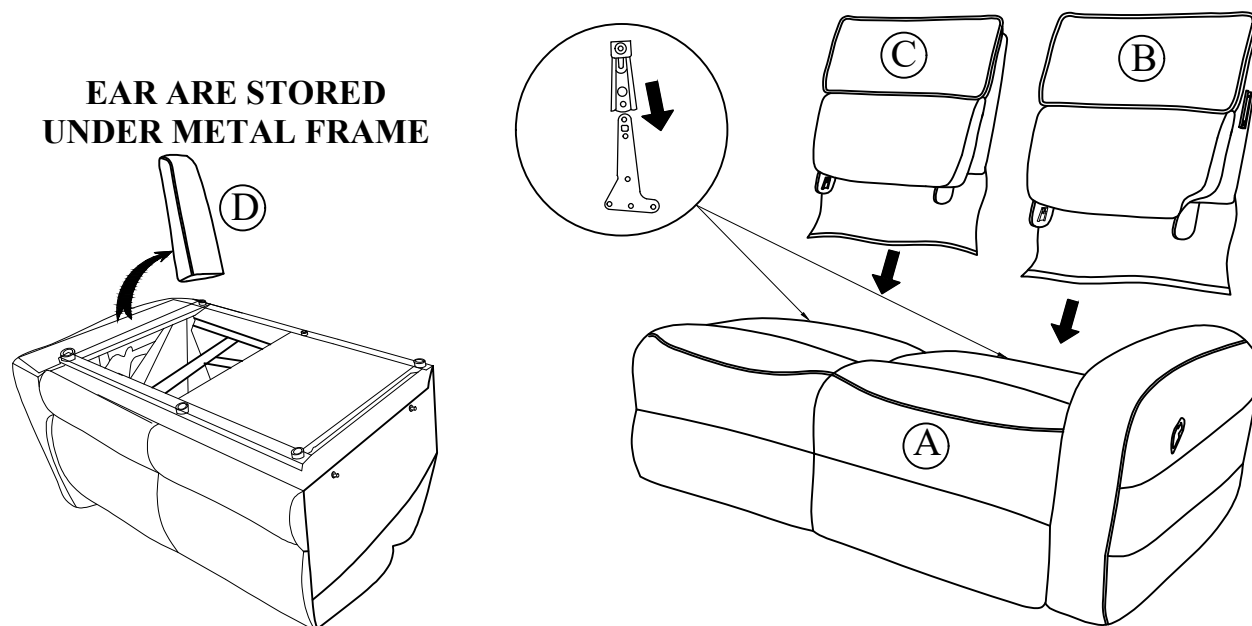
RSF RECLINING LOVE SEAT



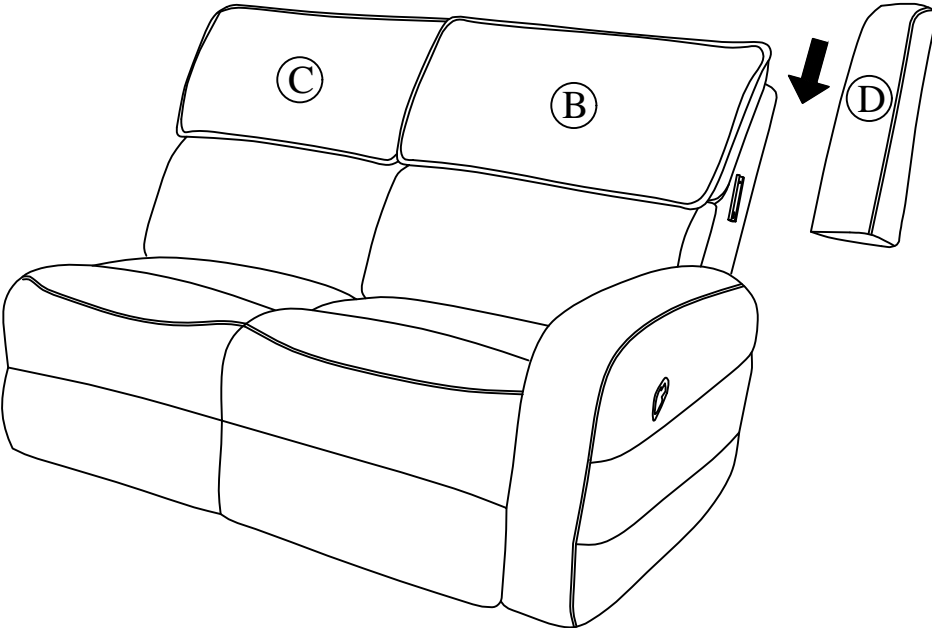
NOTE: Do not use power tools for assembly. The use of power tools increases the risk of over-tightening, which can result in wood splitting or cracking.

TOOLS REQUIRED : LSF RECLINING LOVE SEAT WITH CONSOLE			
NO.	DRAWING	QTY	DESCRIPTION
A		1	SEAT BASE
B		1	RSF BACK REST
C		1	LSF BACK REST
D		1	RSF EAR

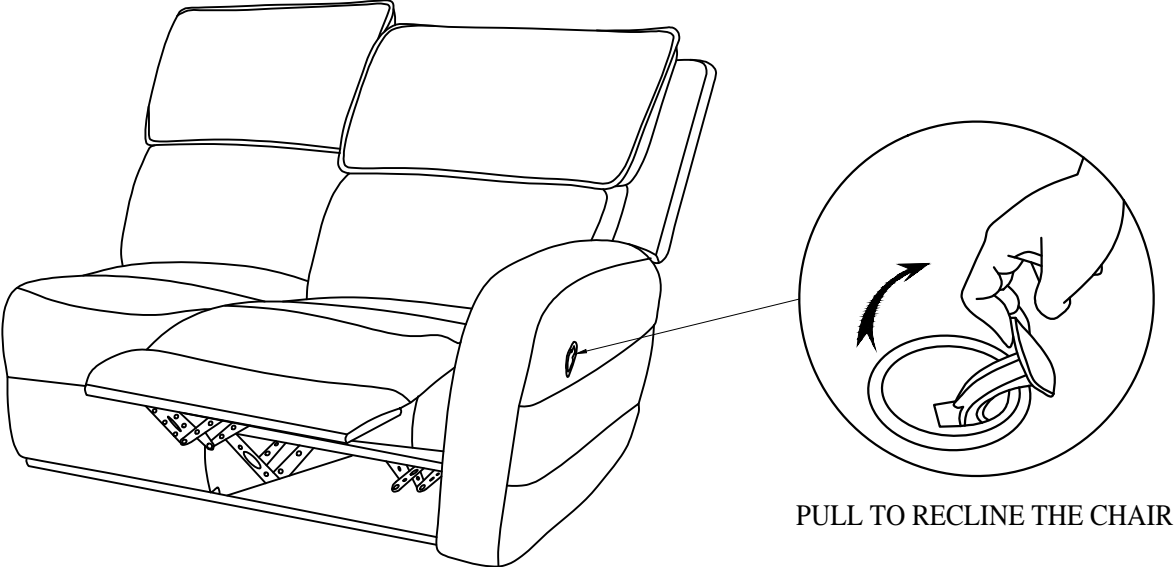
STEP 1



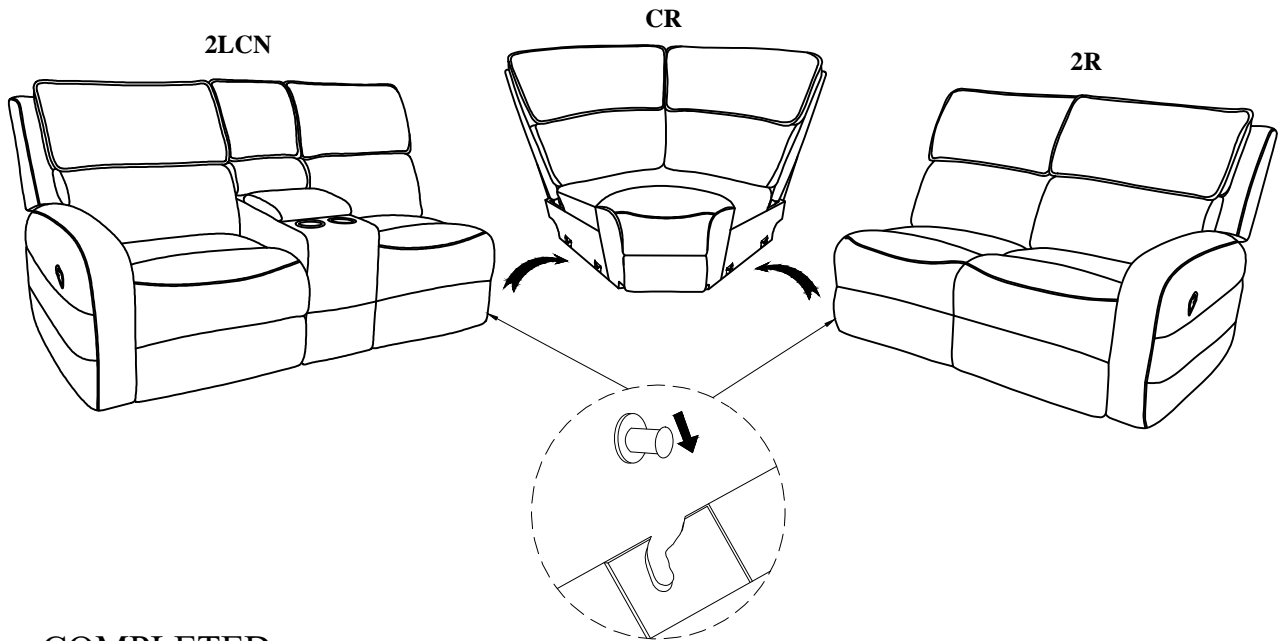
STEP 2



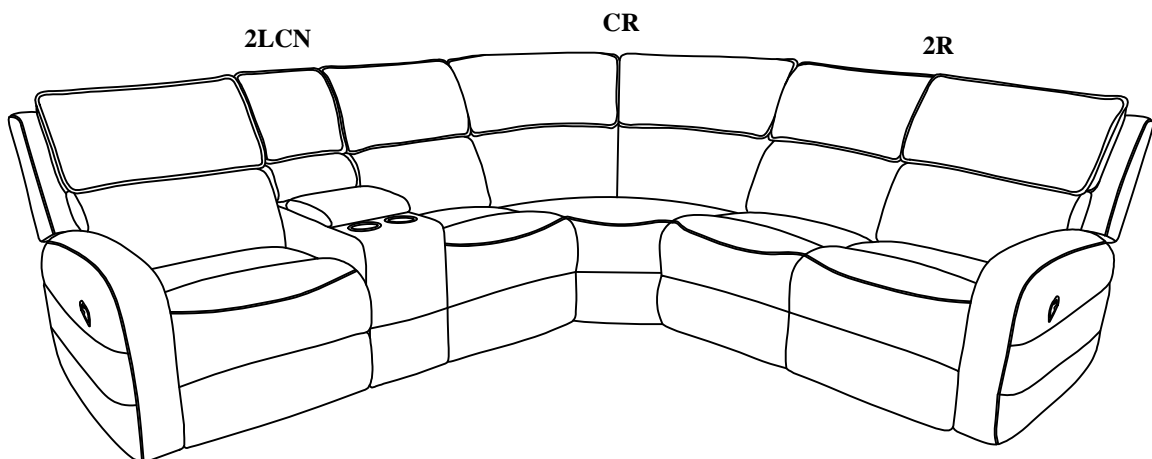
STEP 3



STEP 4



COMPLETED



Care Instruction for Chenille Furniture.

In order to maintain the original appearance of your Chenille furniture, please follow below simple care procedures:

- Avoid exposing furniture directly to sunlight or heating and air conditioning outlets. Sunlight and/or exposure to heating and air conditioning outlets will fade/damage Chenille.
- Do not place your Chenille furniture too close to windows, radiators, or vents.
- Vacuum or wipe with a soft brush to remove dust.
- Hardware may loosen over time. Periodically check to make sure all connection are tight, Re-tighten if necessary.



For items use on wooden floor, hard surfaces or carpets, it is recommended to install protective pads under all legs and supports to avoid/prevent from damages/scratches and discoloration.