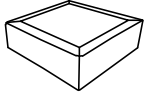

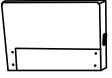

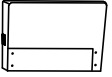



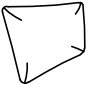

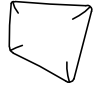
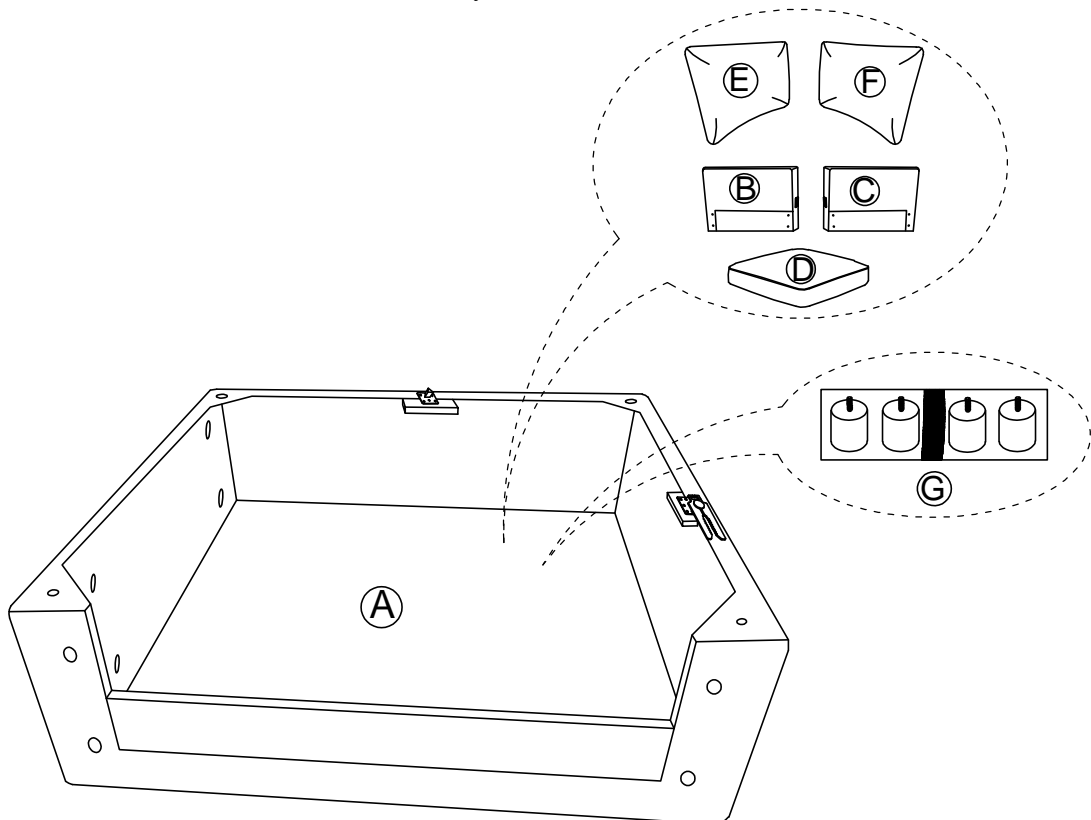


ASSEMBLY INSTRUCTION

ITEM NO: 8338BE-CR/ 8338TG-CR CORNER SEAT

NO.	PARTS LIST	QTY	DESCRIPTION	NO.	PARTS LIST	QTY	DESCRIPTION
A		1	Seat Frame	G		4	Wooden Leg
B		1	Left Back Rest	H		8	Allen Bolt ØM8*50
C		1	Right Back Rest	I		8	Lock Washer M8
D		1	Seat Cushion	K		8	Flat Washer M8*Ø22*1.5mm
E		1	Left Back Cushion	L		1	Allen Key M5*100*50mm
F		1	Right Back Cushion				

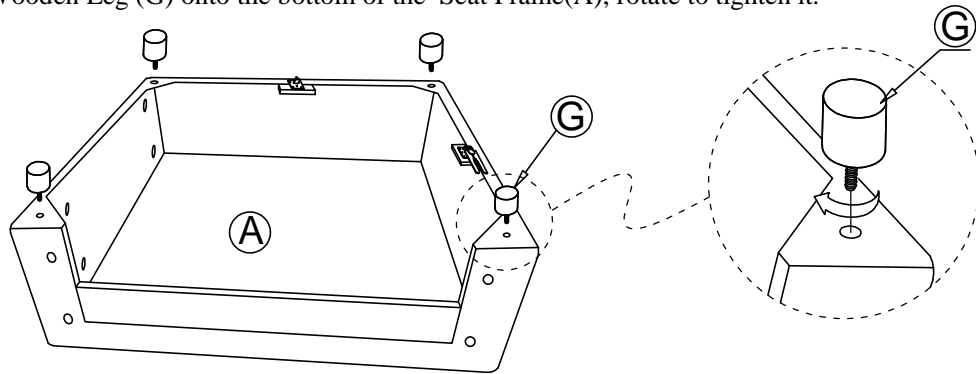
STEP 1: Take out Left Back Rest(B), Right Back Rest(C), Seat Cushion(D), Left Back Cushion(E), Right Back Cushion(F), Wooden Leg(G), Allen Bolt(H), Lock Washer(I), Flat Washer(K), Allen Key(L).



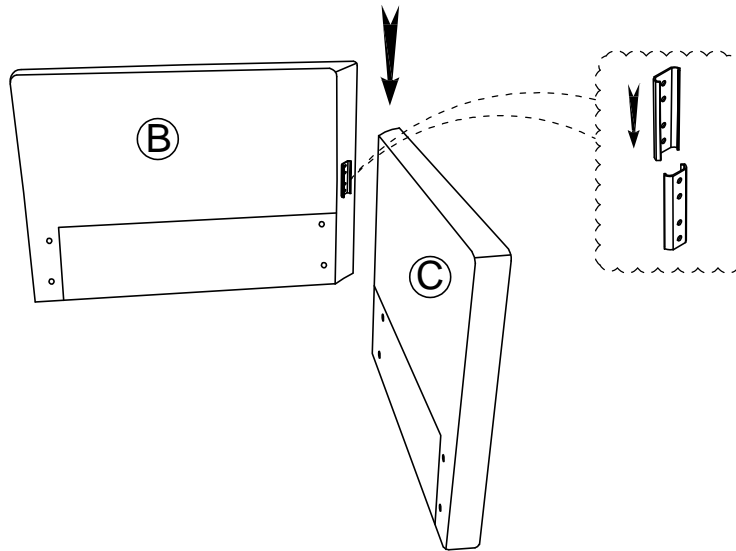
ASSEMBLY INSTRUCTION

ITEM NO: 8338BE-CR/ 8338TG-CR CORNER SEAT

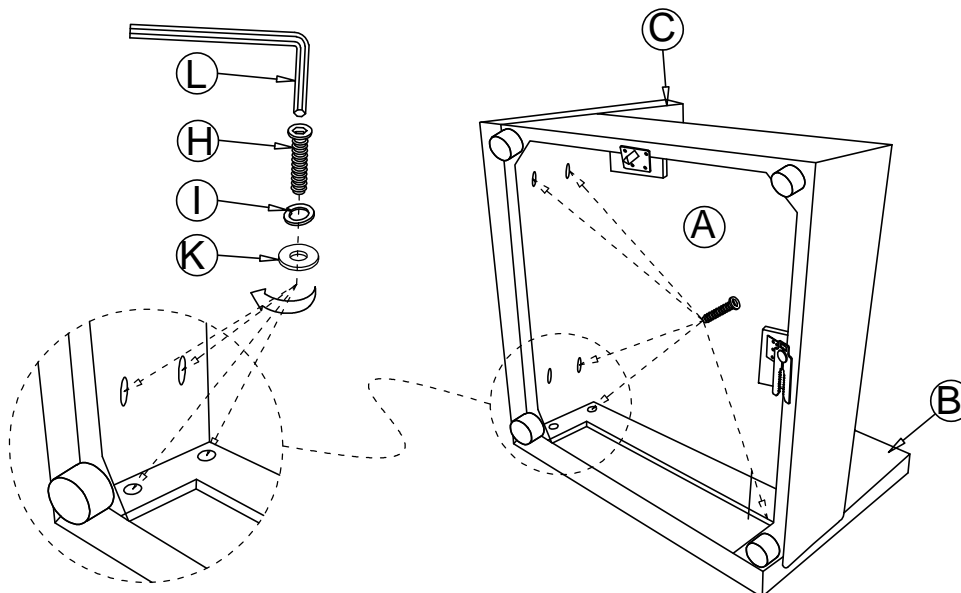
STEP 2: Align Wooden Leg (G) onto the bottom of the Seat Frame(A), rotate to tighten it.



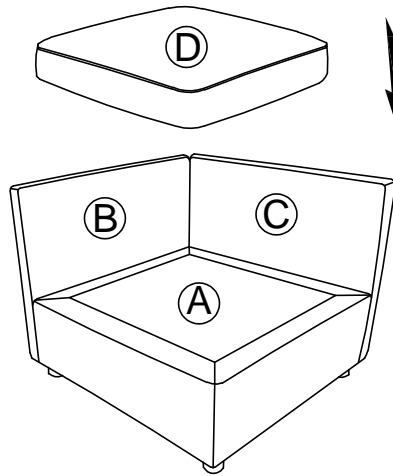
STEP 3: Insert Left Back Rest(B) into Right Back Rest(C).



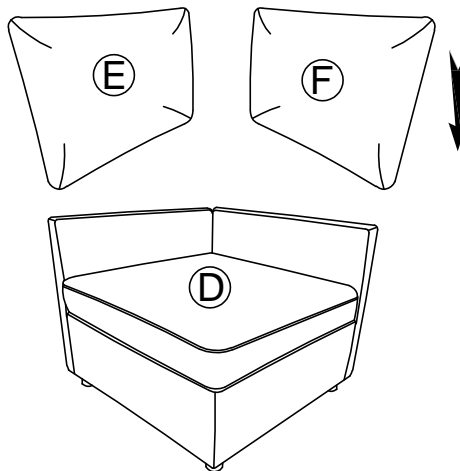
STEP 4: Place seat cushion on the seat frame. Match holes of Left Back Rest(B), Right Back Rest(C) and Seat Frame(A) correctly. Serew Allen Bolt(H) Lock Washer(I). Flat Washer(K) with Allen Key(L).



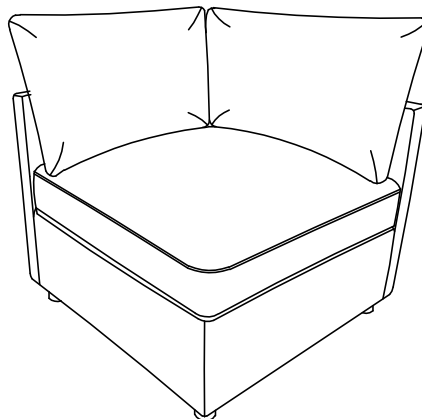
STEP 5: Put Seat Cushion(D) on the Seat Frame(A).



STEP 6: Put Left Back Cushion(E) and Right Back Cushion(F) on Seat Cushion(D).



STEP 7: Completed



CARE INSTRUCTION FOR FABRIC FURNITURE



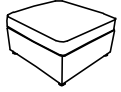
In order to maintain the original appearance of your fabric furniture, please follow below simple care procedures.

°Avoid exposing furniture directly to sunlight or heating and air conditioning outlets. Exposure to sunlight or heating and air conditioning outlets will fade/damage fabric.

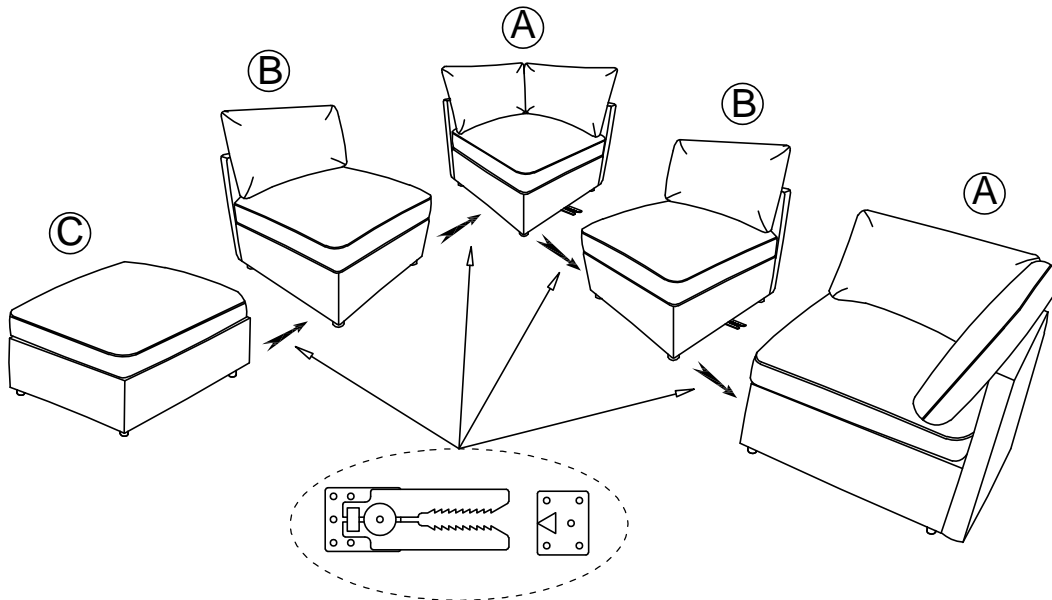
°Wipe gently with a damp soft cloth to remove dust, dirt and any grime build up.

ASSEMBLY INSTRUCTION

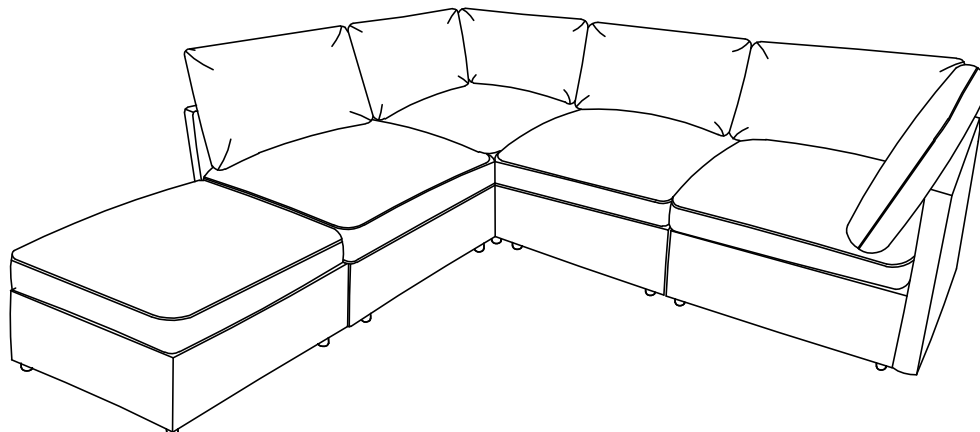
ITEM NO: 8338BE-CR/ 8338TG-CR CORNER SEAT

NO.	PARTS LIST	QTY	DESCRIPTION
A		2	CR-Corner Seat
B		2	AC-Armless Chair
C		1	4-Ottoman

STEP 8: Sectional connection by placing (B) into piece (A) Continue sectional connection with piece (C) and (B) the same method.

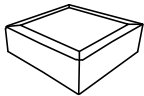

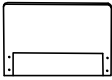



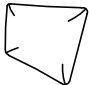




STEP 9: Completed

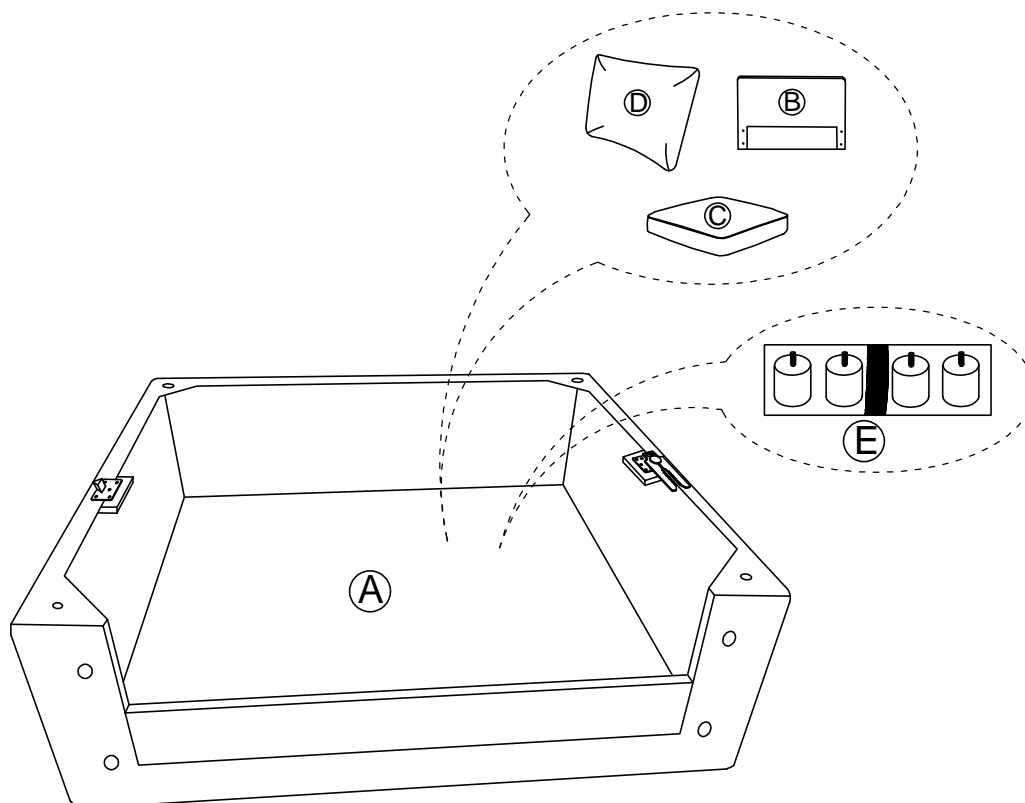


ASSEMBLY INSTRUCTION

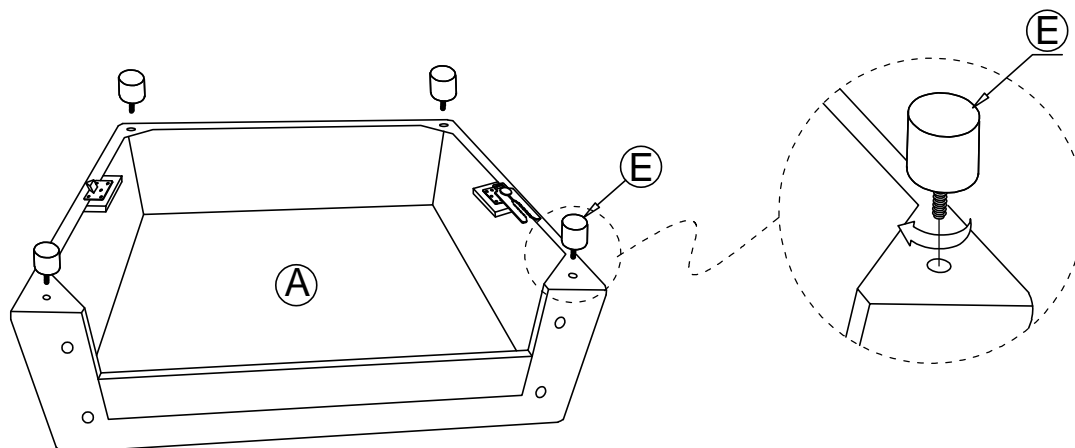
ITEM NO: 8338BE-AC/ 8338TG-AC ARMLESS CHAIR

NO.	PARTS LIST	QTY	DESCRIPTION	NO.	PARTS LIST	QTY	DESCRIPTION
A		1	Seat Frame	F		4	Allen Bolt ØM8*50
B		1	Back Rest	G		4	Lock Washer M8
C		1	Seat Cushion	H		4	Flat Washer M8*Ø22*1.5mm
D		1	Back Cushion	I		1	Allen Key M5*100*50mm
E		4	Wooden Leg	K			

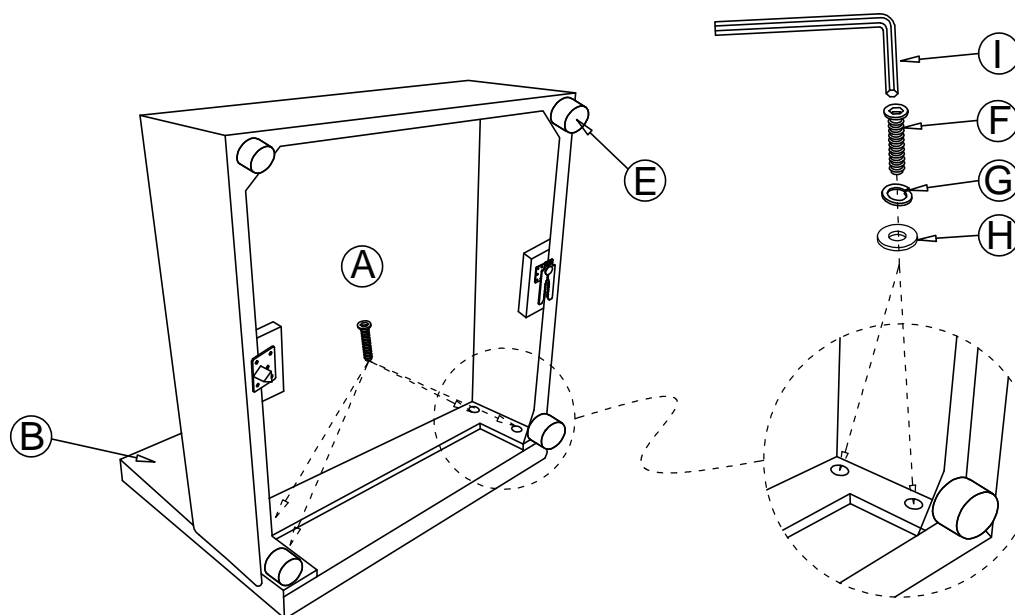
STEP 1: Take out Back Rest(B), Seat Cushion(C), Back Cushion(D), Wooden Leg(E), Allen Bolt(F), Lock Washer(G), Flat Washer(H), Allen Key(I).



STEP 2: Align Wooden Leg (E) onto the bottom of the Seat Frame(A), rotate to tighten it.



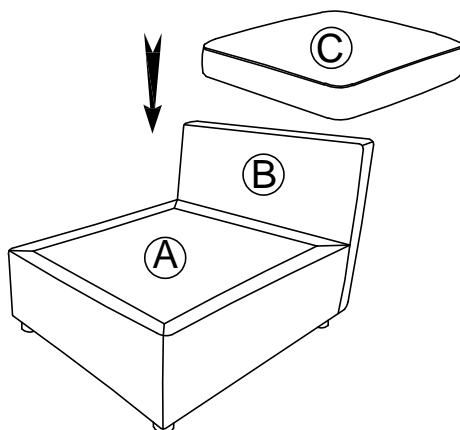
STEP 3: Place seat cushion on the seat frame.
Match holes of Back Rest(B) and Seat Frame(A) correctly. Serew Allen Bolt(F) Lock Washer(G), and Flat Washer(H) with Allen Key(I).



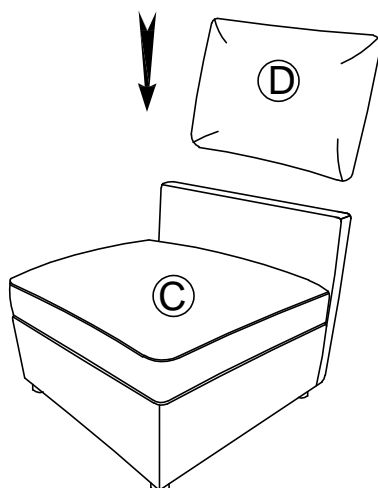
ASSEMBLY INSTRUCTION

ITEM NO: 8338BE-AC/ 8338TG-AC ARMLESS CHAIR

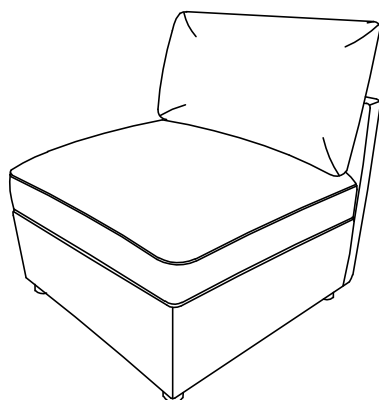
STEP 4: Put Seat Cushion(C) on the Seat Frame(A).



STEP 5: Put Back Cushion(D) on Seat Cushion(C).



STEP 6: Completed



CARE INSTRUCTION FOR FABRIC FURNITURE



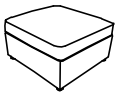
In order to maintain the original appearance of your fabric furniture, please follow below simple care procedures.

°Avoid exposing furniture directly to sunlight or heating and air conditioning outlets. Exposure to sunlight or heating and air conditioning outlets will fade/damage fabric.

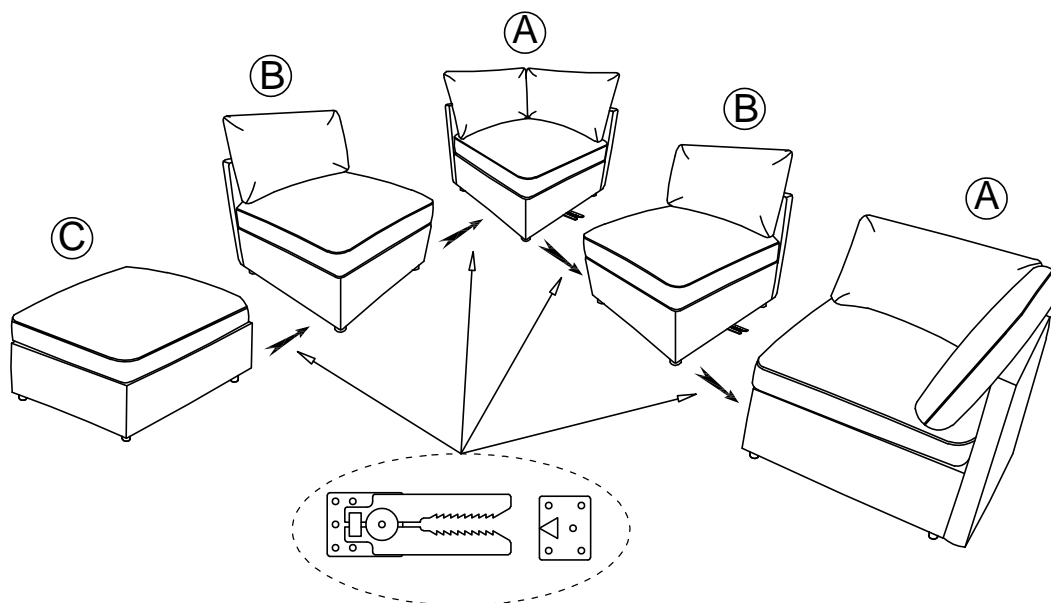
°Wipe gently with a damp soft cloth to remove dust, dirt and any grime build up.

ASSEMBLY INSTRUCTION

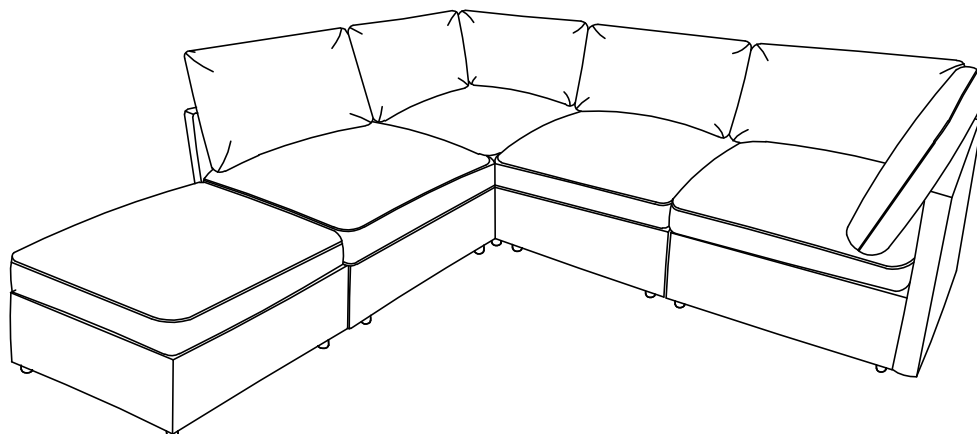
ITEM NO: 8338BE-AC/ 8338TG-AC ARMLESS CHAIR

NO.	PARTS LIST	QTY	DESCRIPTION
A		2	CR-Corner Seat
B		2	AC-Armless Chair
C		1	4-Ottoman

STEP 8: Sectional connection by placing (B) into piece (A) Continue sectional connection with piece (C) and (B) the same method.

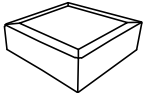




STEP 9: Completed

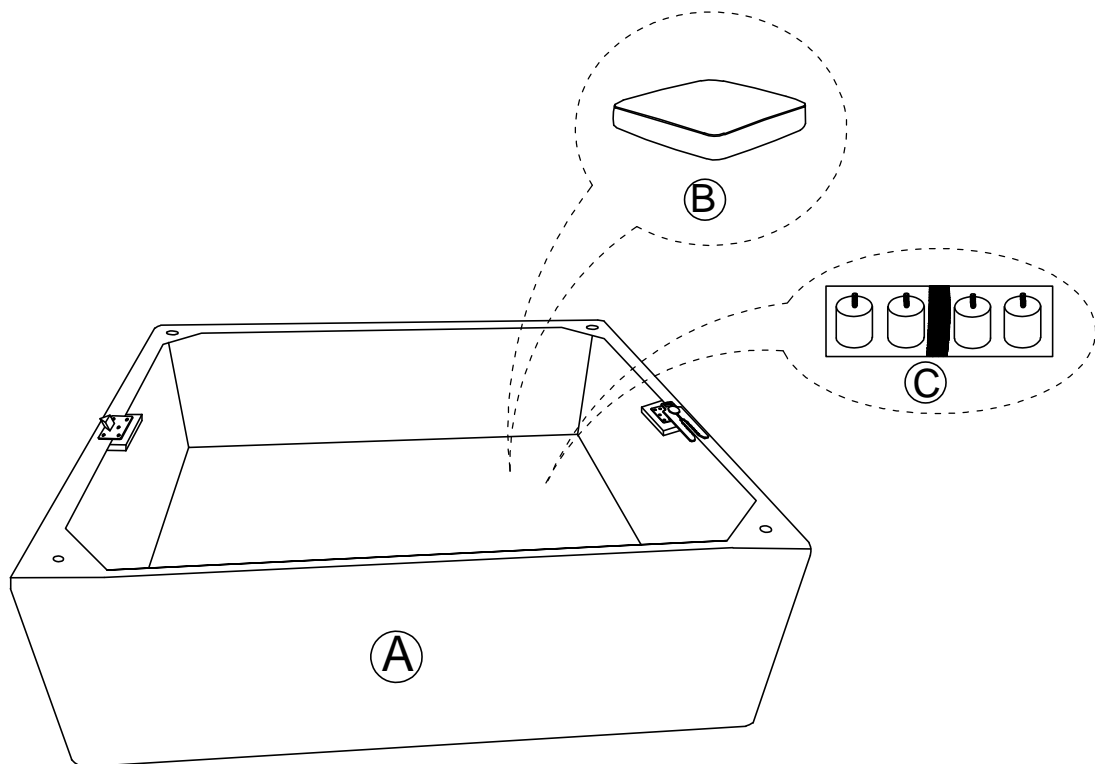


ASSEMBLY INSTRUCTION

ITEM NO: 8338BE-4/ 8338TG-4 OTTOMAN

NO.	PARTS LIST	QTY	DESCRIPTION
A		1	Seat Frame
B		1	Seat Cushion
C		4	Wooden Leg

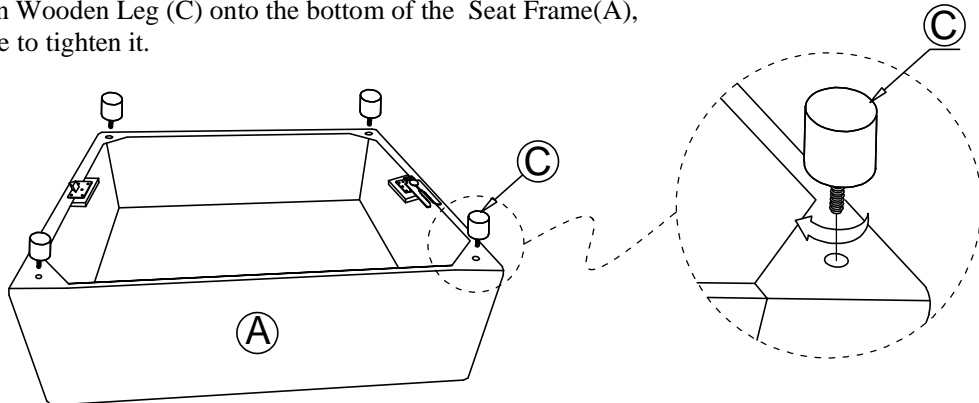
STEP 1: Take out Seat Cushion(B), Wooden Leg(C).



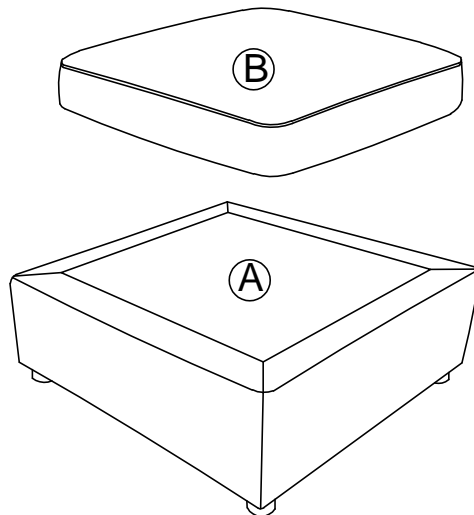
ASSEMBLY INSTRUCTION

ITEM NO: 8338BE-4/ 8338TG-4 OTTOMAN

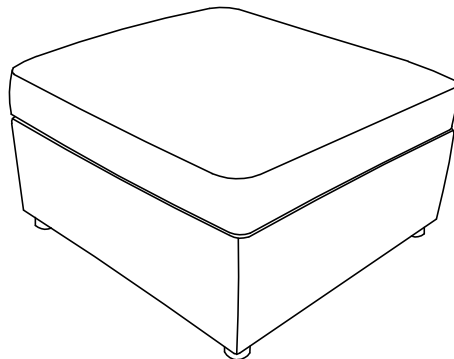
STEP 2: Align Wooden Leg (C) onto the bottom of the Seat Frame(A), rotate to tighten it.



STEP 3: Put Seat Cushion(B) on the Seat Frame(A).



STEP 4: Completed



CARE INSTRUCTION FOR FABRIC FURNITURE



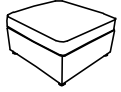
In order to maintain the original appearance of your fabric furniture, please follow below simple care procedures.

°Avoid exposing furniture directly to sunlight or heating and air conditioning outlets. Exposure to sunlight or heating and air conditioning outlets will fade/damage fabric.

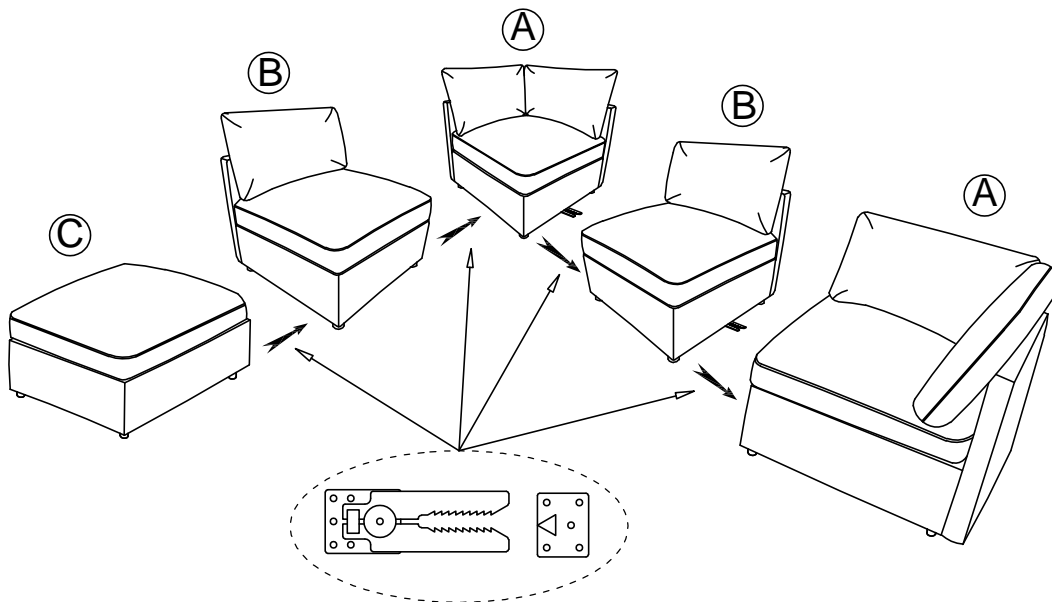
°Wipe gently with a damp soft cloth to remove dust, dirt and any grime build up.

ASSEMBLY INSTRUCTION

ITEM NO: 8338BE-4/ 8338TG-4 OTTOMAN

NO.	PARTS LIST	QTY	DESCRIPTION
A		2	CR-Corner Seat
B		2	AC-Armless Chair
C		1	4-Ottoman

STEP 5: Sectional connection by placing (B) into piece (A) Continue sectional connection with piece (C) and (B) the same method.



STEP 6: Completed

