

# ASSEMBLY INSTRUCTION

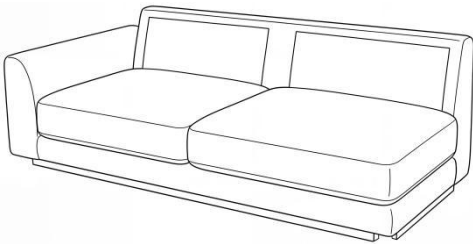
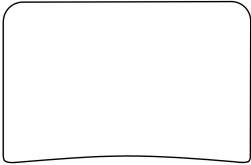
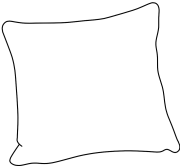
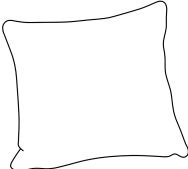
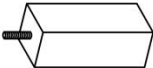

ITEM NO.:8312NTP-2L  
(1/2) LEFT SIDE 2 SEATER


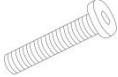





The pillows and back cushions are stored on top of the seat cushions. Wooden legs & hardware bag are stored in the bottom of the seat. Please take out for assembly.

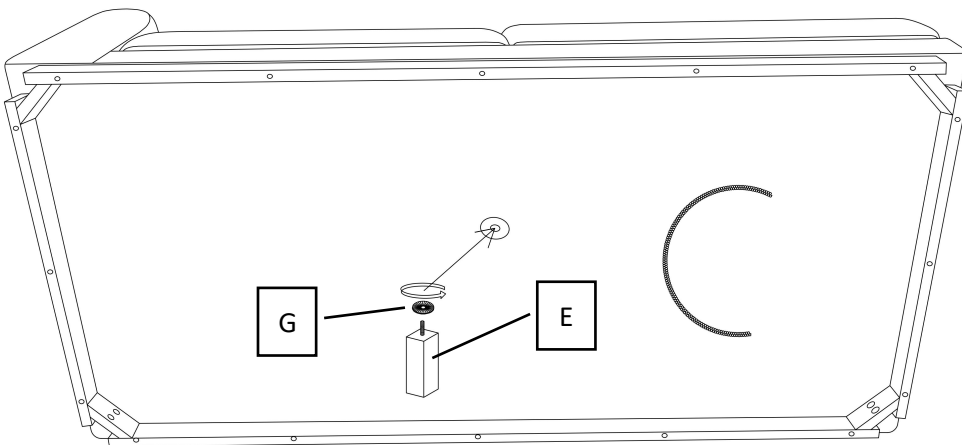
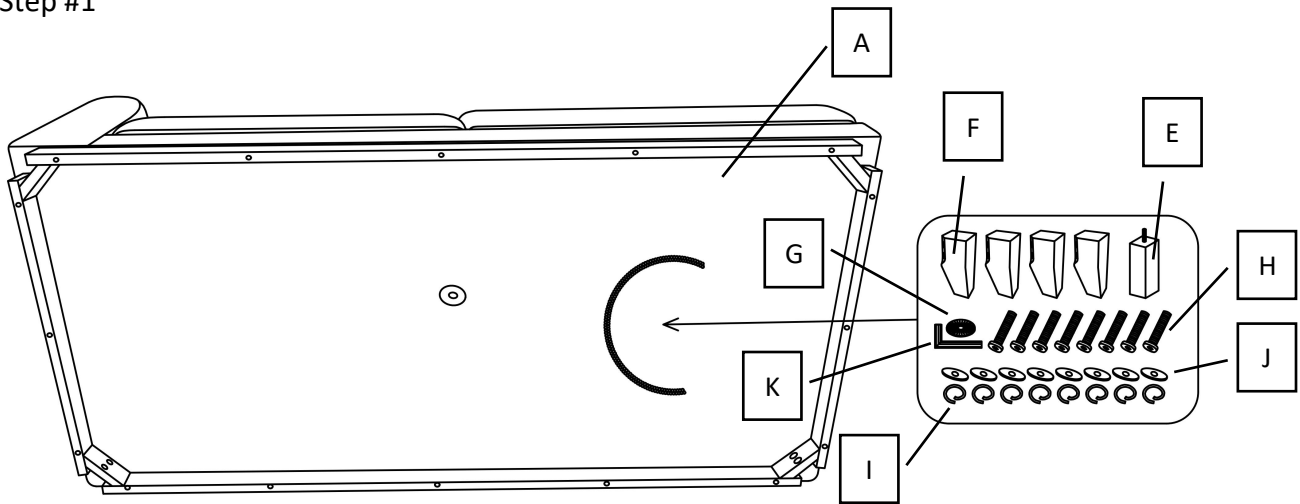
Note: Do not use power tools for assembly. Power tools increase the risk of over tightening which lead to splitting or cracking the wood.

## COMPONENT LIST

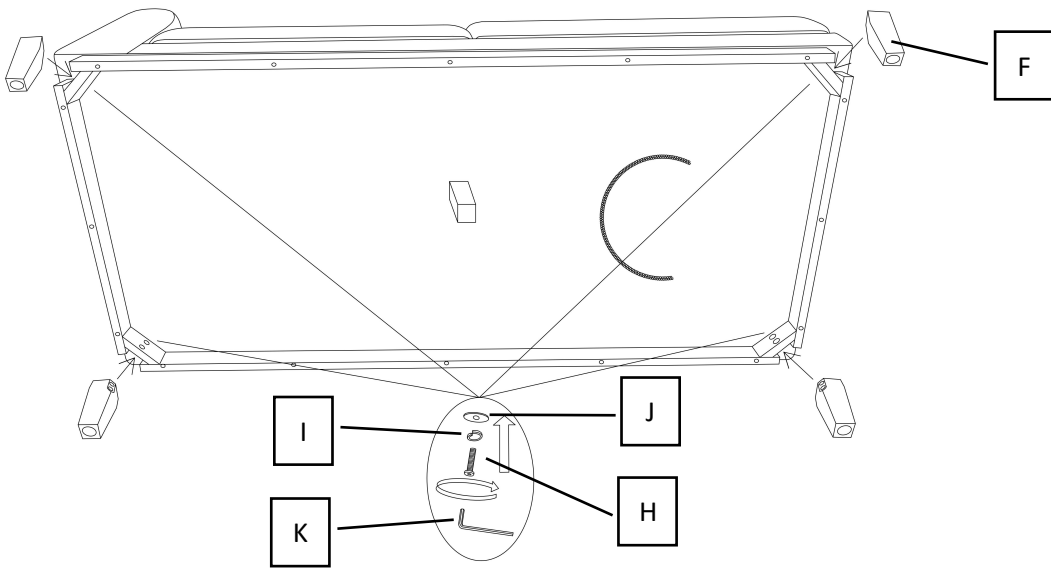
No	Drawing	Description	Qty
A		SEAT	1 PC
B		BACK CUSHION	2 PCS
C		PATTERNED PILLOW (19" × 19")	1 PC
D		SOLID PILLOW (19" × 19")	1 PC
E		WOODEN SUPPORT LEG (5cm × 5cm × H 15cm)	1 PC
F		WOODEN LEG (5.5cm × 5.5cm × H 15.5cm)	4 PCS

No	Drawing	Description	Qty
G		PLASTIC WASHER Φ1-7/8"	1PC
H		BOLT Φ5/16"x2-3/8"	8 PCS
I		SPRING WASHER Φ 5/16"	8 PCS
J		FLAT WASHER Φ 7/8"	8 PCS
K		ALLEN WRENCH M5 x 6.5cm	1 PC

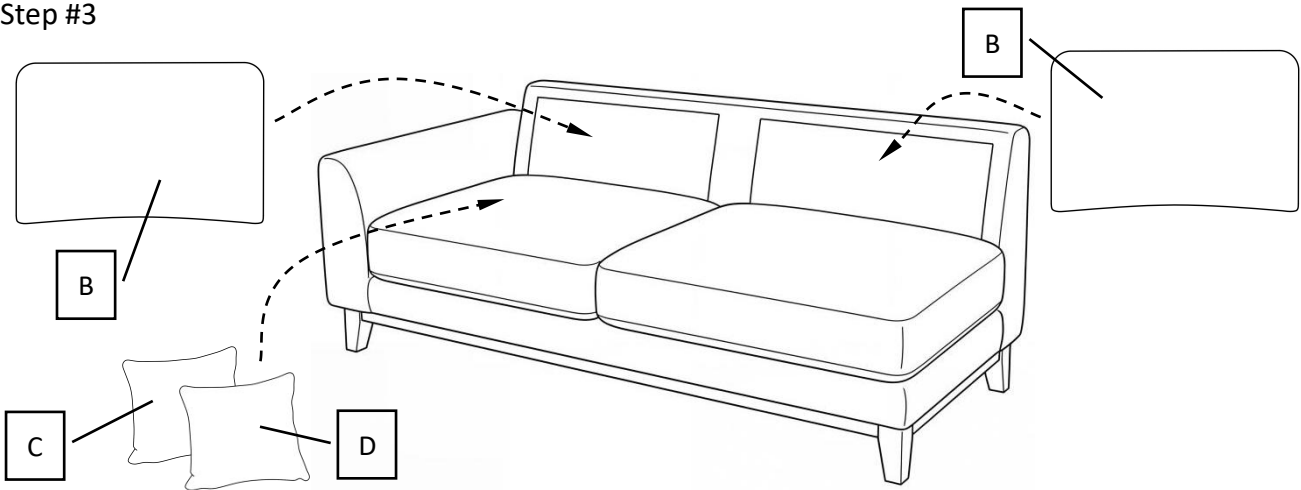
Step #1



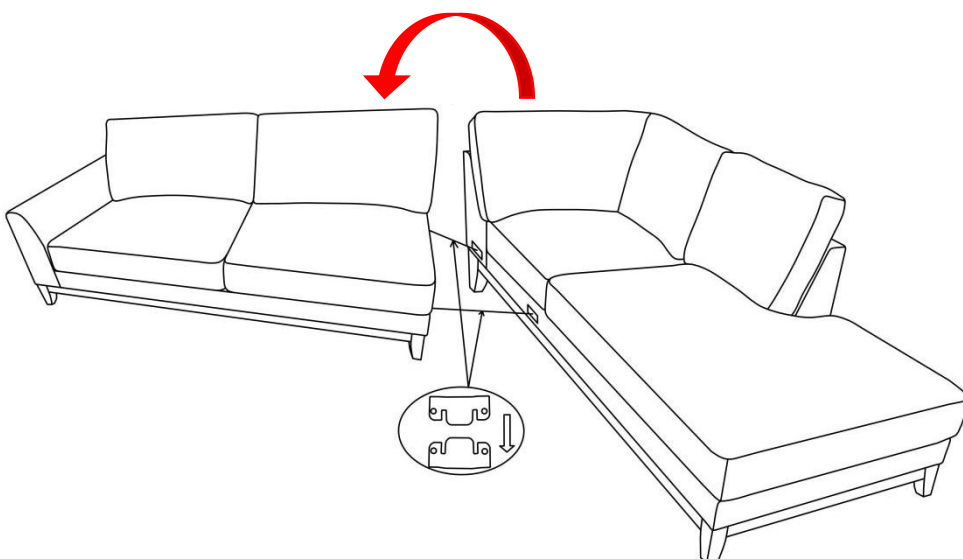
Step #2



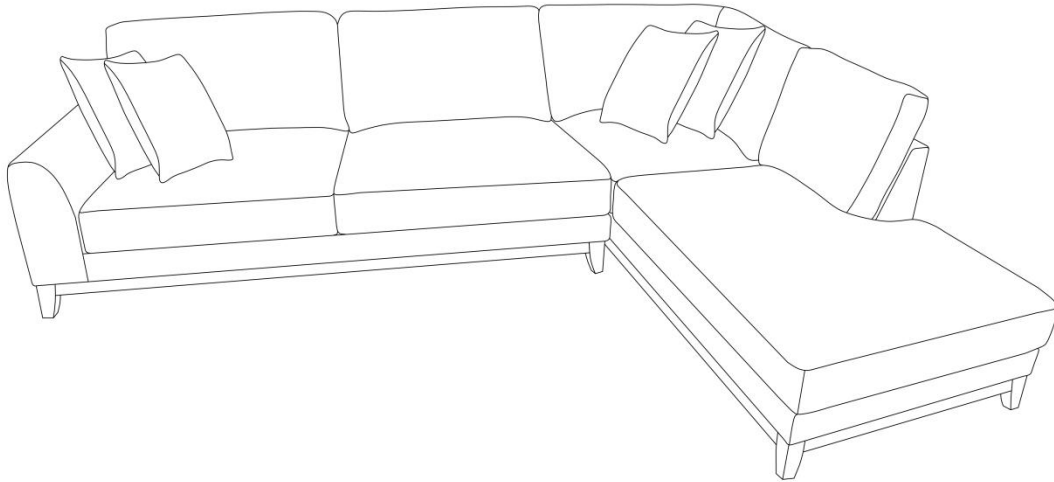
Step #3



Step #4



**COMPLETED**



### **Care Instruction for Chenille Furniture:**

In order to maintain the original appearance of your Chenille Furniture, please follow below simple care procedures:

- Avoid exposing furniture directly to sunlight or heating and air conditioning outlets. Sunlight and or exposure to heating and air conditioning outlets will fade/damage Chenille.
- Vacuum or wipe with a soft cloth to remove dust.
- Hardware may loosen over time. Periodically check to make sure all connections are tight, Re-tighten if necessary.



For items use on wooden floor, hard surfaces or carpets, it is recommended to Install protective pads under all legs and supports to avoid/prevent from damages/scratches and discoloration.

# ASSEMBLY INSTRUCTION



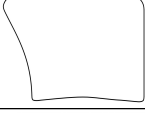



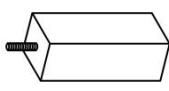
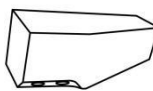
ITEM NO.:8312NTP-RC  
(2/2) RIGHT SIDE CHAISE


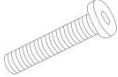





The pillows and back cushions are stored on top of the seat cushions. Wooden legs & hardware bag are stored in the bottom of the seat. Please take out for assembly.

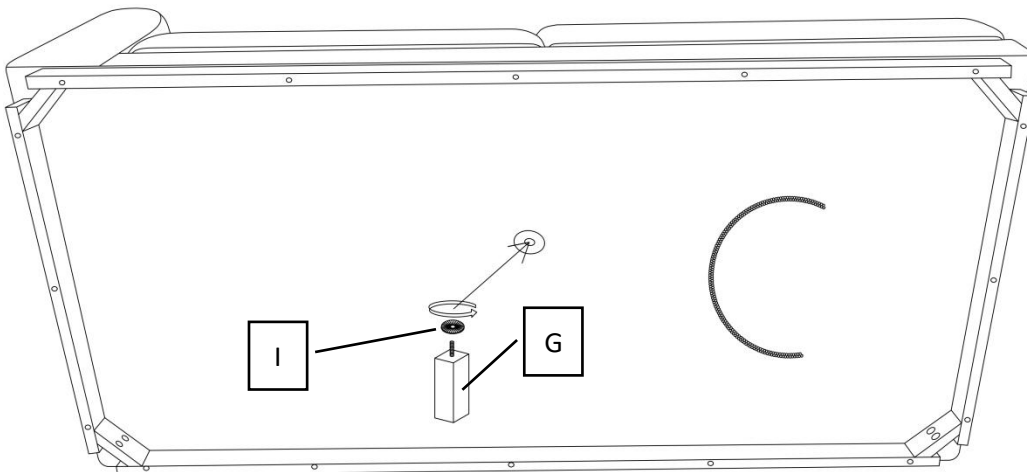
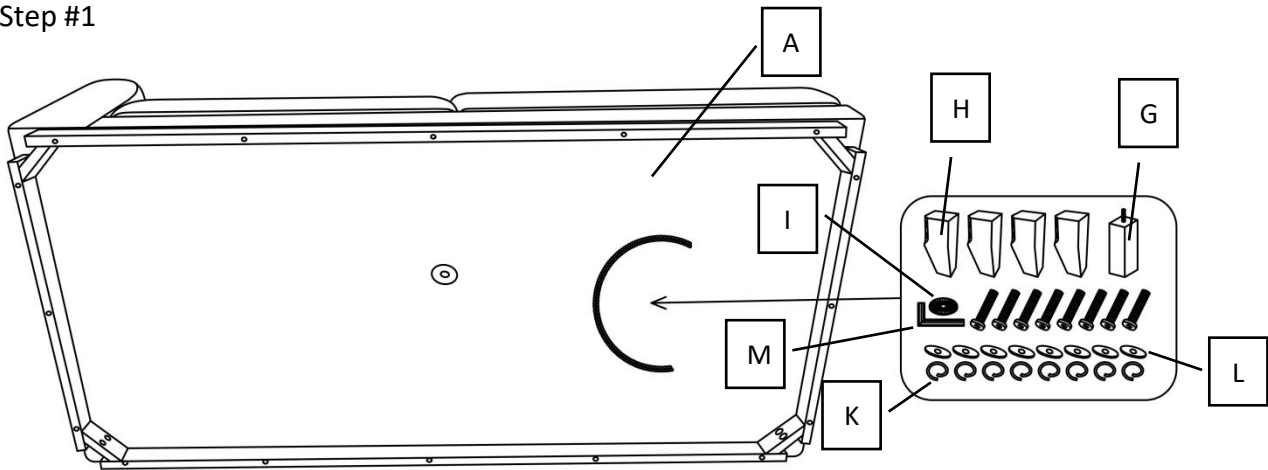
Note: Do not use power tools for assembly. Power tools increase the risk of over tightening which lead to splitting or cracking the wood.

## COMPONENT LIST

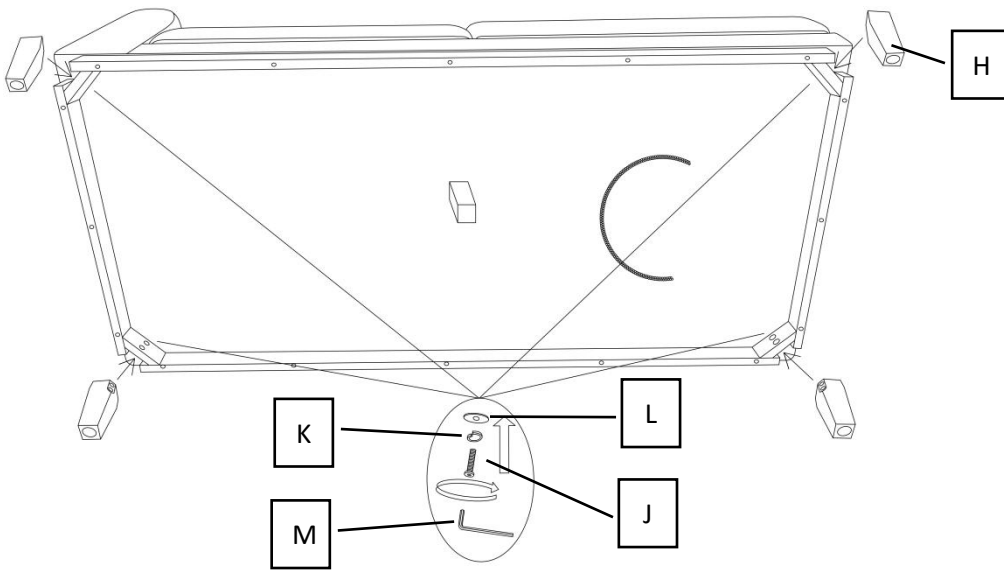
No	Drawing	Description	Qty
A		SEAT	1 PC
B		RSF LONG BACK CUSHION	1 PC
C		BACK CUSHION C FOR ARM	1 PC
D		BACK CUSHION D FOR ARM	1 PC
E		PATTERNED PILLOW (19" × 19")	1 PC
F		SOLID PILLOW (19" × 19")	1 PC
G		WOODEN SUPPORT LEG (5cm × 5cm × H 15cm)	1 PC
H		WOODEN LEG (5.5cm × 5.5cm × H 15.5cm)	4 PCS

No	Drawing	Description	Qty
I		PLASTIC WASHER Φ1-7/8"	1PC
J		BOLT Φ5/16"x2-3/8"	8 PCS
K		SPRING WASHER Φ 5/16"	8 PCS
L		FLAT WASHER Φ 7/8"	8 PCS
M		ALLEN WRENCH M5 × 6.5cm	1 PC

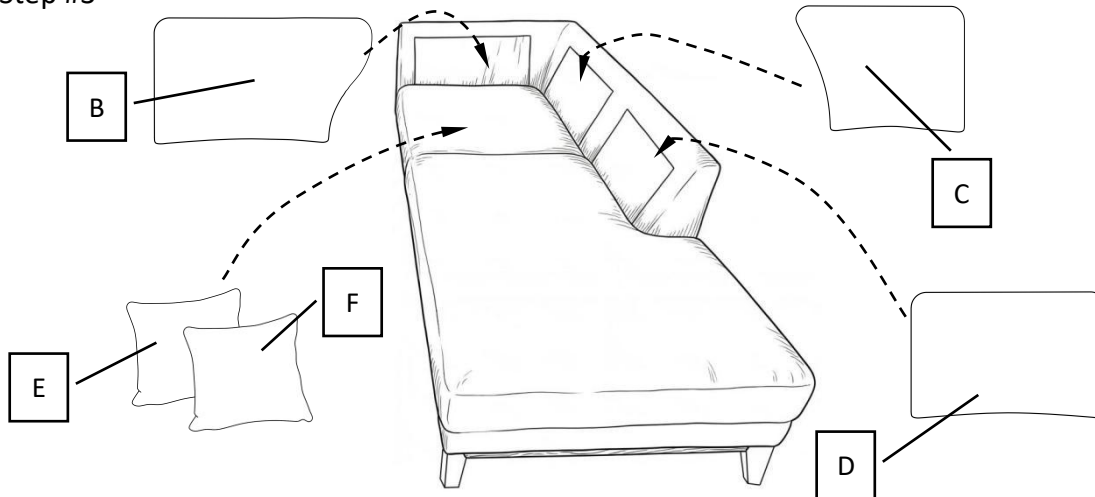
Step #1



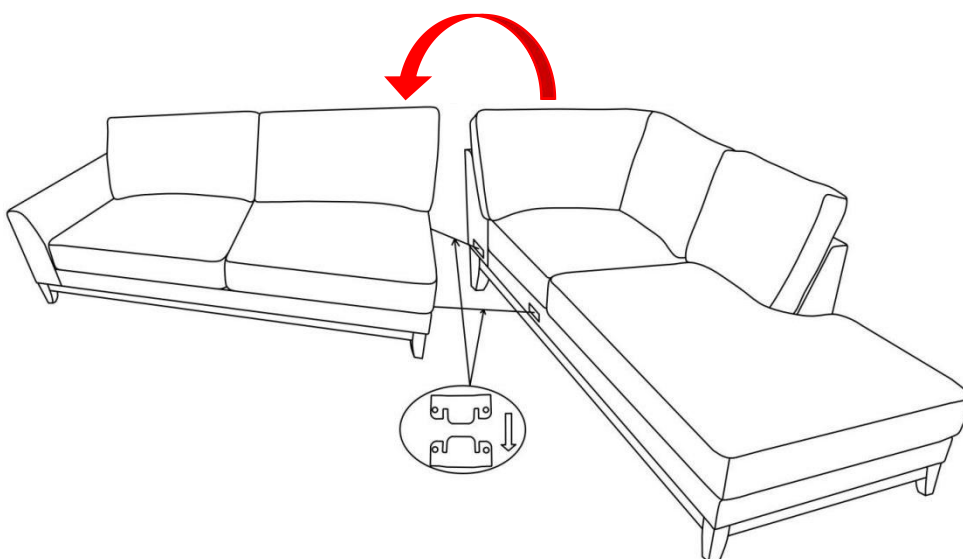
Step #2



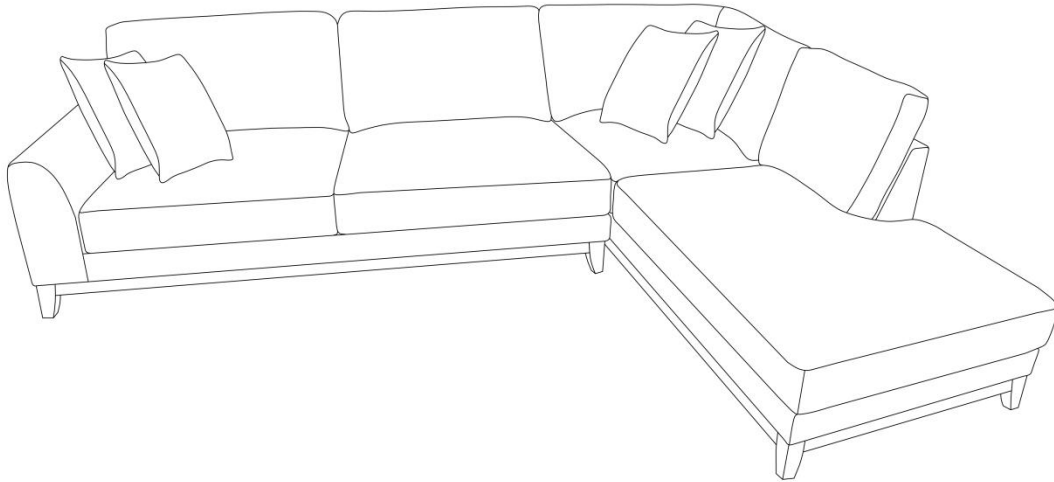
Step #3



Step #4



**COMPLETED**



### **Care Instruction for Chenille Furniture:**

In order to maintain the original appearance of your Chenille Furniture, please follow below simple care procedures:

- Avoid exposing furniture directly to sunlight or heating and air conditioning outlets. Sunlight and or exposure to heating and air conditioning outlets will fade/damage Chenille.
- Vacuum or wipe with a soft cloth to remove dust.
- Hardware may loosen over time. Periodically check to make sure all connections are tight, Re-tighten if necessary.



For items use on wooden floor, hard surfaces or carpets, it is recommended to Install protective pads under all legs and supports to avoid/prevent from damages/scratches and discoloration.

# ASSEMBLY INSTRUCTION


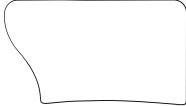
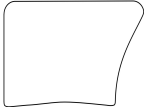



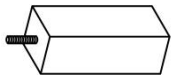

ITEM NO.:8312NTP-LC  
(2/2) LEFT SIDE CHAISE


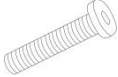





The pillows and back cushions are stored on top of the seat cushions. Wooden legs & hardware bag are stored in the bottom of the seat. Please take out for assembly.

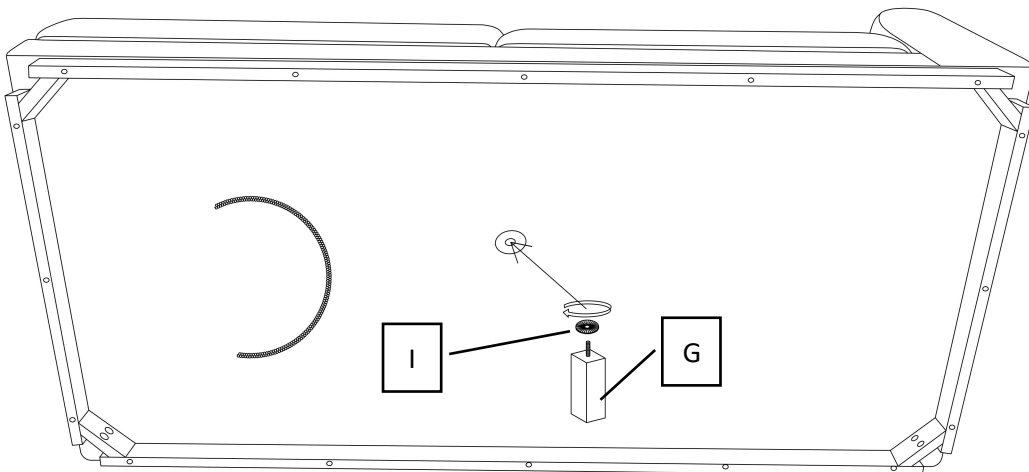
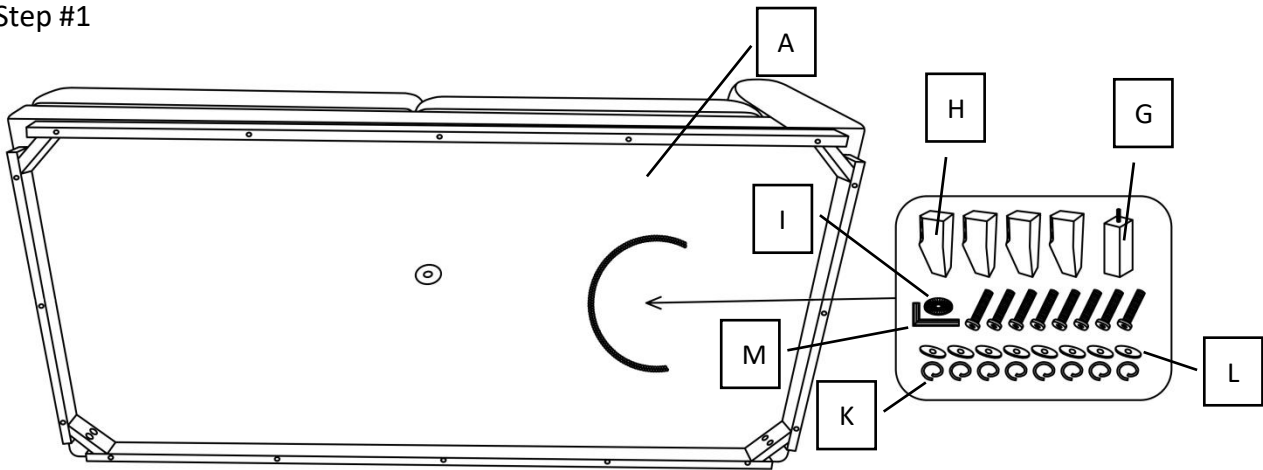
Note: Do not use power tools for assembly. Power tools increase the risk of over tightening which lead to splitting or cracking the wood.

## COMPONENT LIST

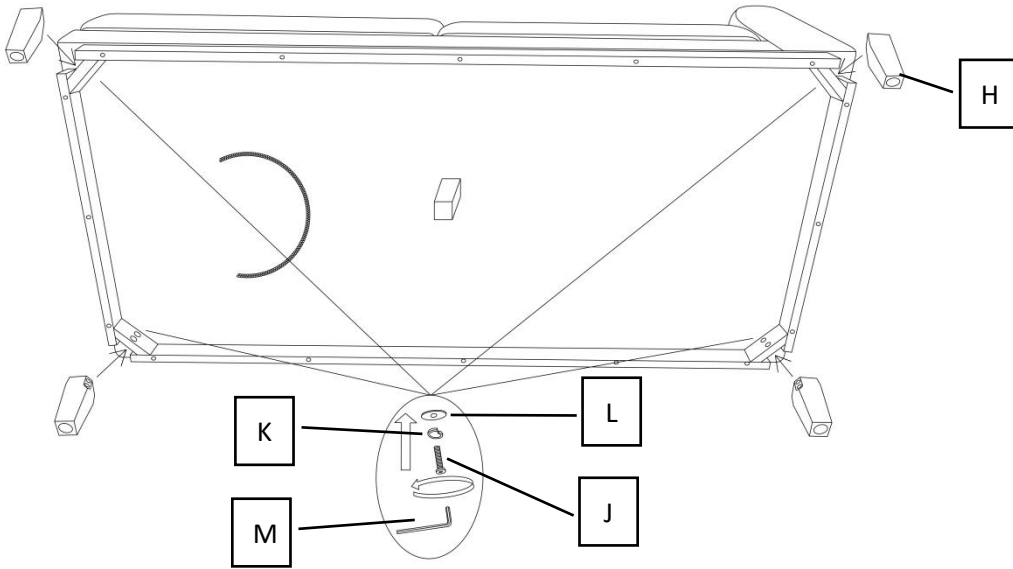
No	Drawing	Description	Qty
A		SEAT	1 PC
B		LSF LONG BACK CUSHION	1 PC
C		BACK CUSHION C FOR ARM	1 PC
D		BACK CUSHION D FOR ARM	1 PC
E		PATTERNED PILLOW (19" × 19")	1 PC
F		SOLID PILLOW (19" × 19")	1 PC
G		WOODEN SUPPORT LEG (5cm × 5cm × H 15cm)	1 PC
H		WOODEN LEG (5.5cm × 5.5cm × H 15.5cm)	4 PCS

No	Drawing	Description	Qty
I		PLASTIC WASHER Φ1-7/8"	1PC
J		BOLT Φ5/16"x2-3/8"	8 PCS
K		SPRING WASHER Φ 5/16"	8 PCS
L		FLAT WASHER Φ 7/8"	8 PCS
M		ALLEN WRENCH M5 × 6.5cm	1 PC

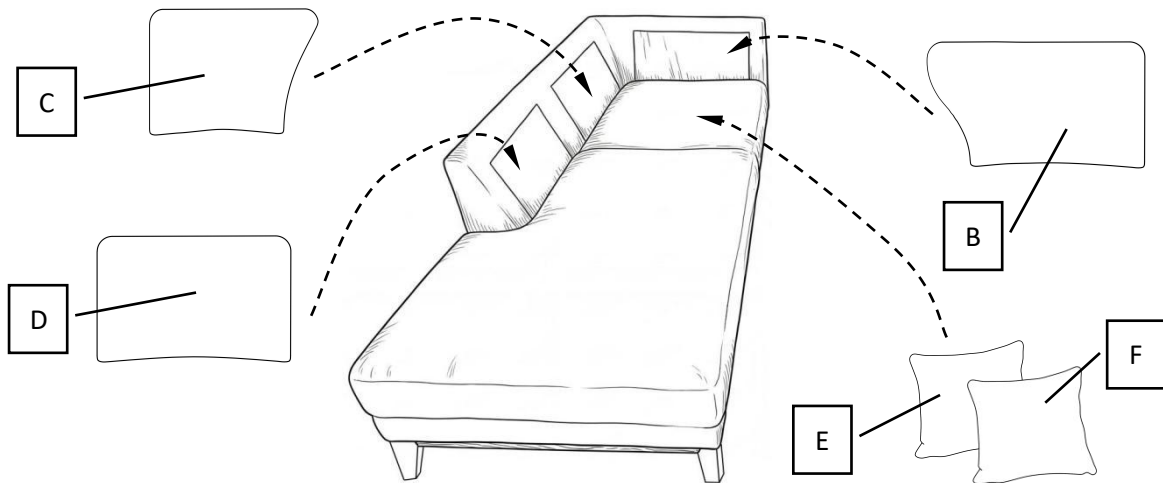
Step #1



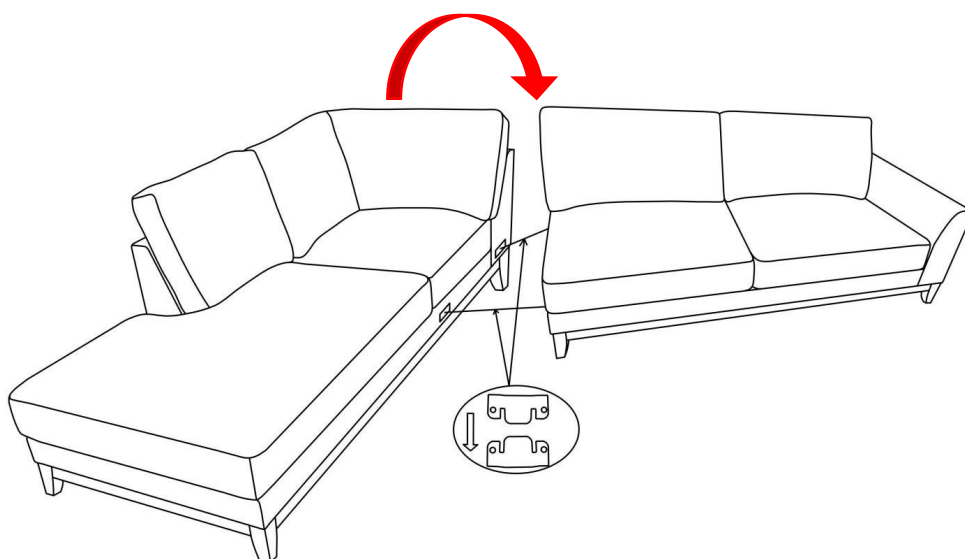
Step #2



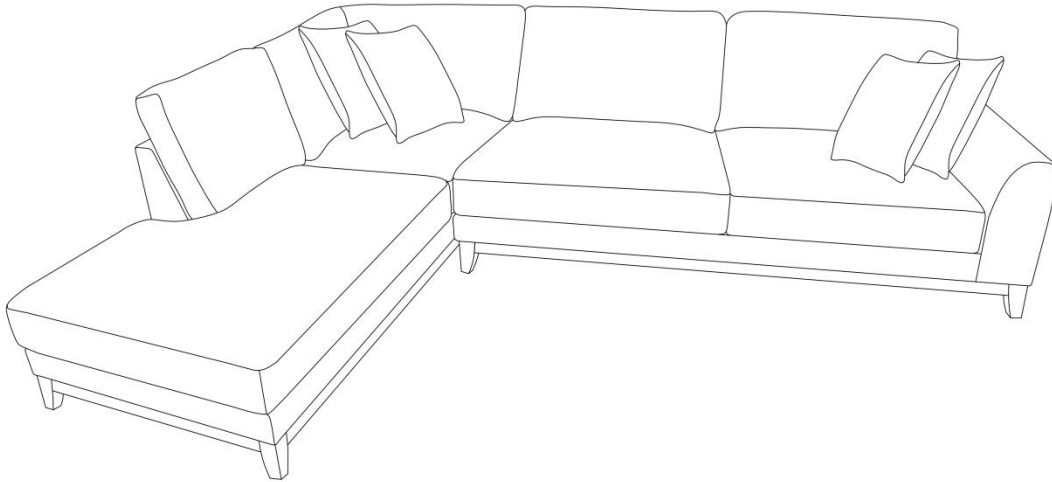
Step #3



Step #4



**COMPLETED**



### **Care Instruction for Chenille Furniture:**

In order to maintain the original appearance of your Chenille Furniture, please follow below simple care procedures:

- Avoid exposing furniture directly to sunlight or heating and air conditioning outlets. Sunlight and or exposure to heating and air conditioning outlets will fade/damage Chenille.
- Vacuum or wipe with a soft cloth to remove dust.
- Hardware may loosen over time. Periodically check to make sure all connections are tight, Re-tighten if necessary.



For items use on wooden floor, hard surfaces or carpets, it is recommended to Install protective pads under all legs and supports to avoid/prevent from damages/scratches and discoloration.

# ASSEMBLY INSTRUCTION

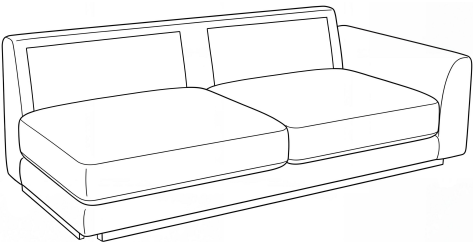
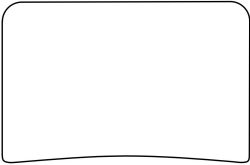
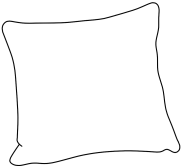
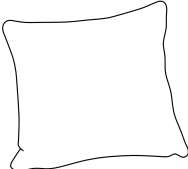
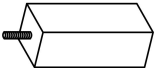

ITEM NO.:8312NTP-2R  
(1/2) RIGHT SIDE 2 SEATER








The pillows and back cushions are stored on top of the seat cushions. Wooden legs & hardware bag are stored in the bottom of the seat. Please take out for assembly.

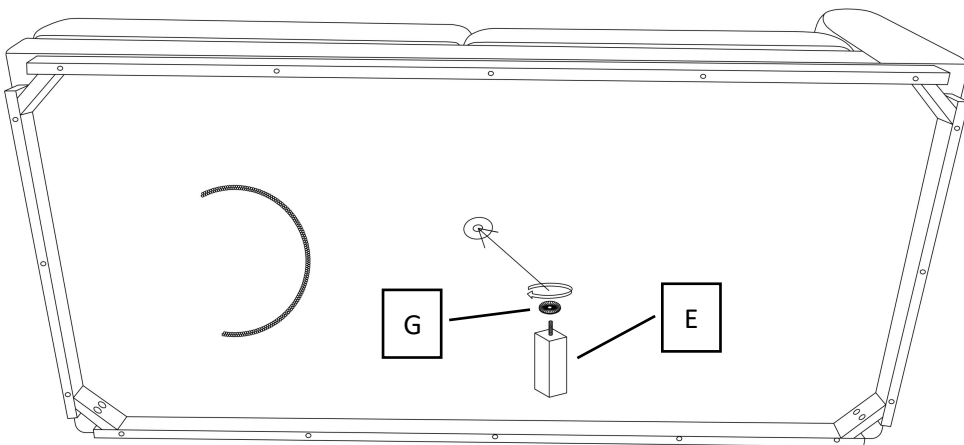
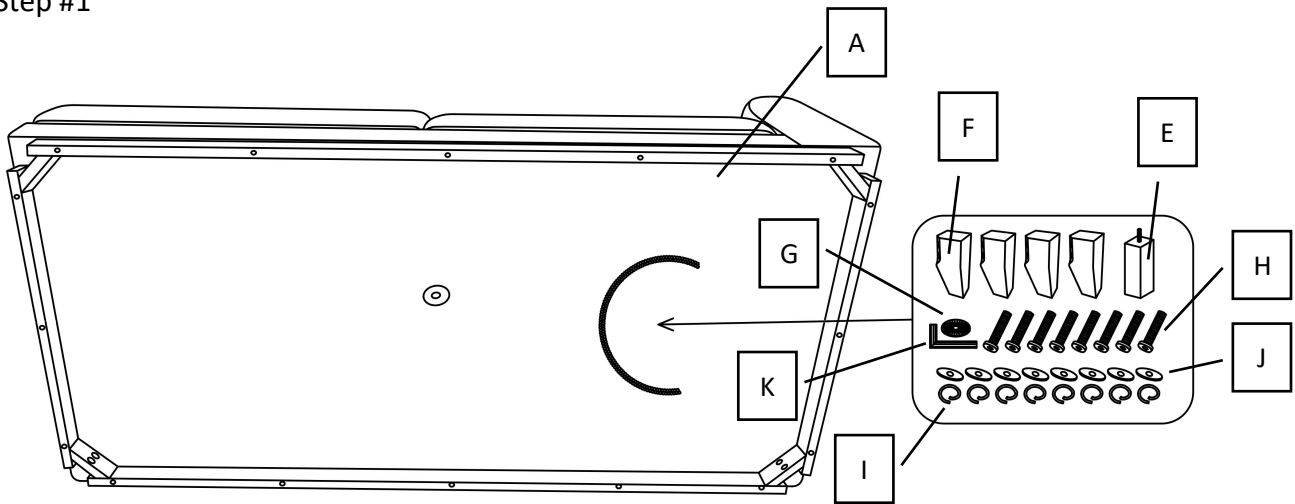
Note: Do not use power tools for assembly. Power tools increase the risk of over tightening which lead to splitting or cracking the wood.

## COMPONENT LIST

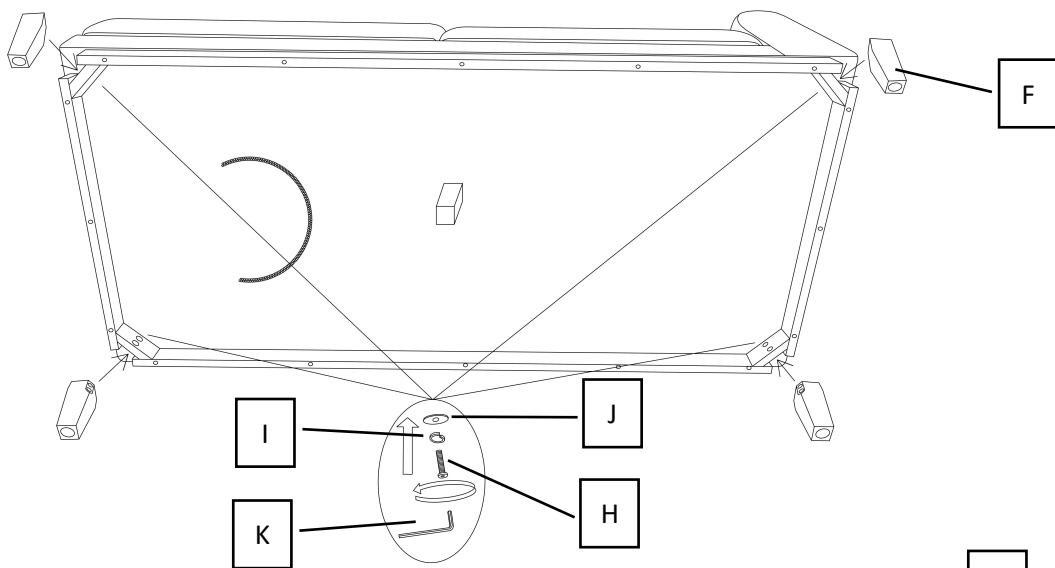
No	Drawing	Description	Qty
A		SEAT	1 PC
B		BACK CUSHION	2 PCS
C		PATTERNED PILLOW (19" × 19")	1 PC
D		SOLID PILLOW (19" × 19")	1 PC
E		WOODEN SUPPORT LEG (5cm × 5cm × H 15cm)	1 PC
F		WOODEN LEG (5.5cm × 5.5cm × H 15.5cm)	4 PCS

No	Drawing	Description	Qty
G		PLASTIC WASHER Φ1-7/8"	1PC
H		BOLT Φ5/16"x2-3/8"	8 PCS
I		SPRING WASHER Φ 5/16"	8 PCS
J		FLAT WASHER Φ 7/8"	8 PCS
K		ALLEN WRENCH M5 x 6.5cm	1 PC

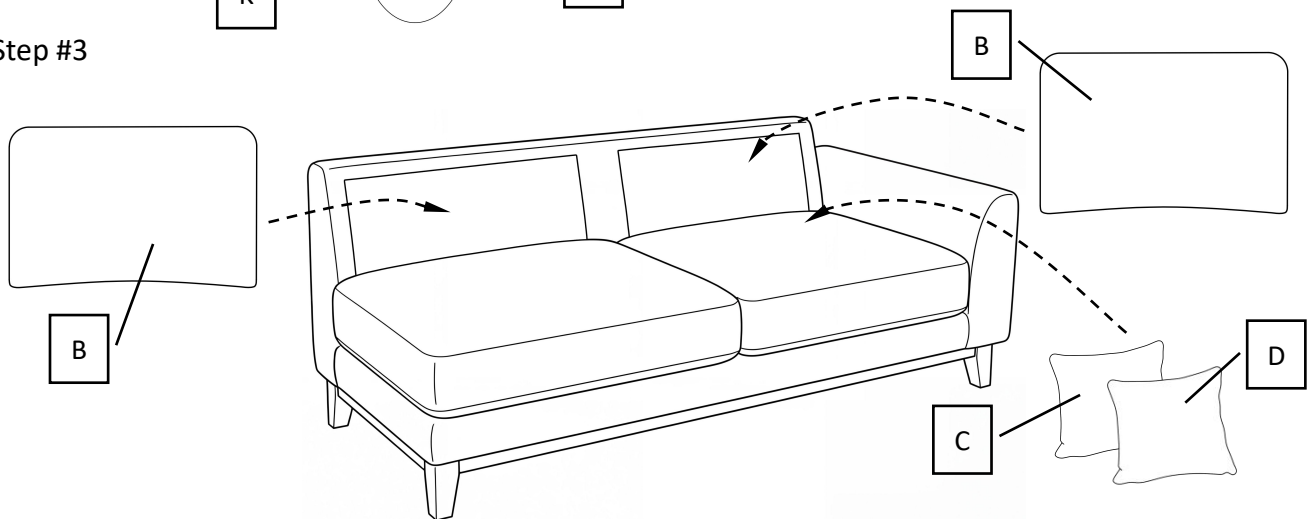
Step #1



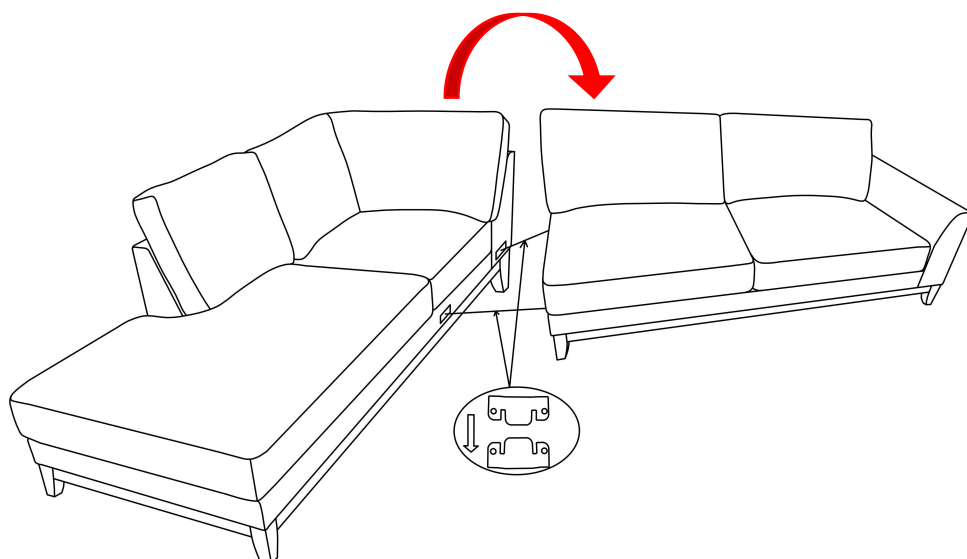
Step #2



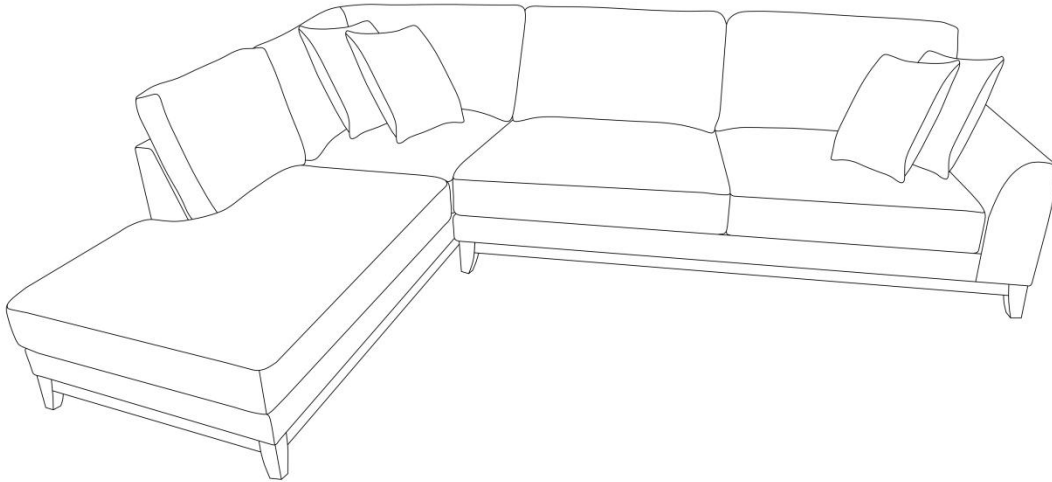
Step #3



Step #4



**COMPLETED**



### **Care Instruction for Chenille Furniture:**

In order to maintain the original appearance of your Chenille Furniture, please follow below simple care procedures:

- Avoid exposing furniture directly to sunlight or heating and air conditioning outlets. Sunlight and or exposure to heating and air conditioning outlets will fade/damage Chenille.
- Vacuum or wipe with a soft cloth to remove dust.
- Hardware may loosen over time. Periodically check to make sure all connections are tight, Re-tighten if necessary.



For items use on wooden floor, hard surfaces or carpets, it is recommended to Install protective pads under all legs and supports to avoid/prevent from damages/scratches and discoloration.