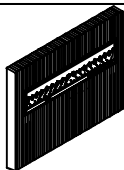
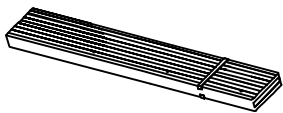
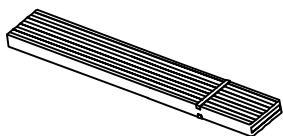
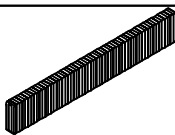

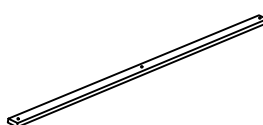
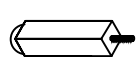
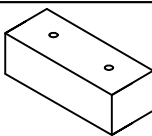
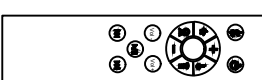


ASSEMBLY INSTRUCTION
DESCRIPTION: 2411-1 FIREPLACE QUEEN
BED

NOTE: Do not use power tools for assembly. Power tools increase the risk of over tightening which leads to splitting or cracking the wood. **NOTER:**

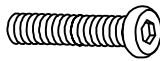






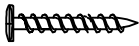
COMPONENT LIST

PART LIST (packed in 2411-1 QUEEN BED)			
NO	DRAWING	QTY	DESCRIPTION
1		1	FIREPLACE DECOR HEADBOARD
2		1	LSF HEADBOARD WING
3		1	RSF HEADBOARD WING
4		1	FOOTBOARD
5		2	LSF/ RSF SIDE RALIS
6		4	SLATS
7		4	SUPPORT LEG WITH LEVELER
8		2	WOODEN LEGS
9		1	REMOTE CONTROL

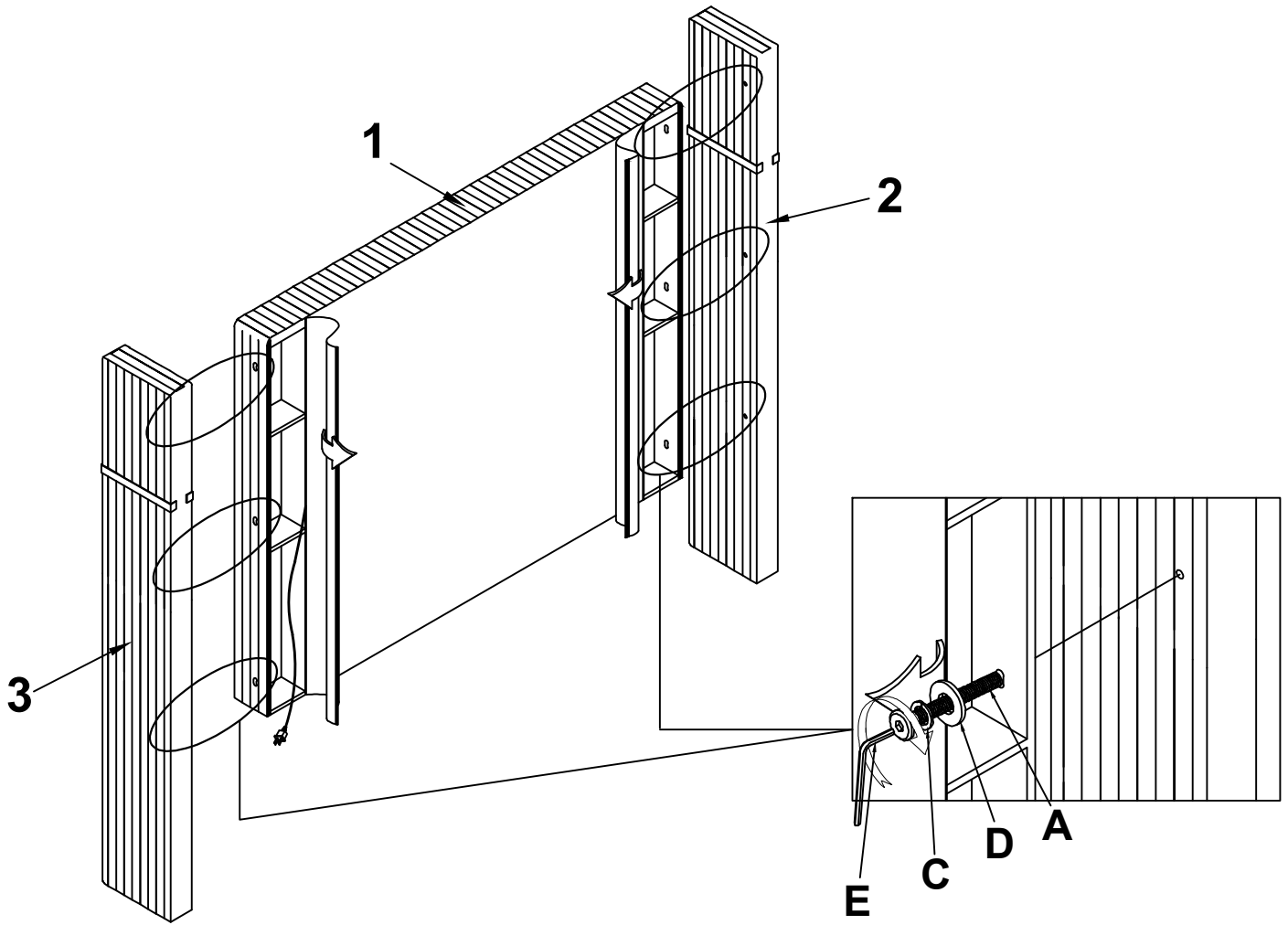


ASSEMBLY INSTRUCTION
DESCRIPTION: 2411-1 FIREPLACE QUEEN
BED

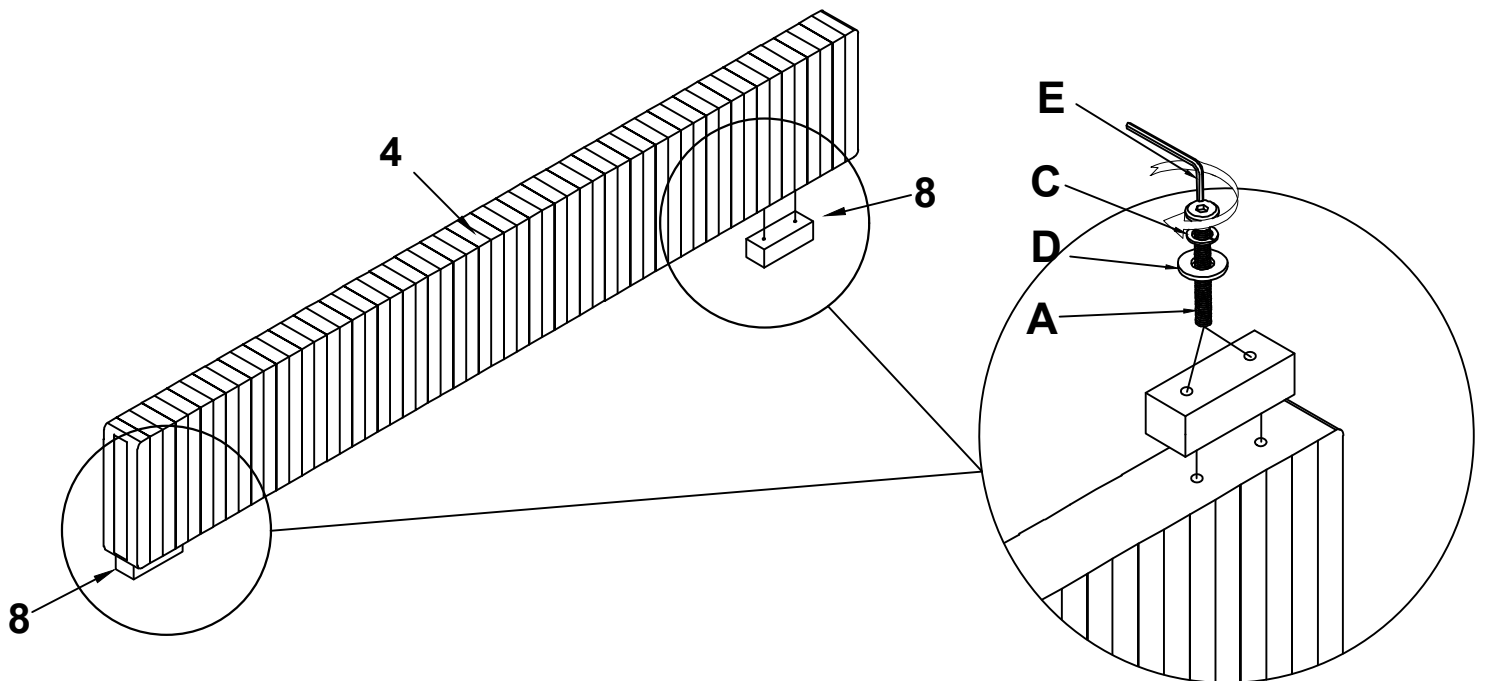
HARDWARE LIST

HARDWARE LIST (packed in 2411-1 QUEEN BED)			
NO	DRAWING	QTY	DESCRIPTION
A		10	BOLT 5/16"60MM
B		8	THERED BOLT 5/16"90mm
C		18	SPRING WASHER 5/16"
D		18	FLAT WASHER 5/16"
E		1	ALLEN WRENCH M5
F		8	HEX NUT 16X13X13MM
G		1	WRENCH
H		8	SHORT SCREWS M4X30MM

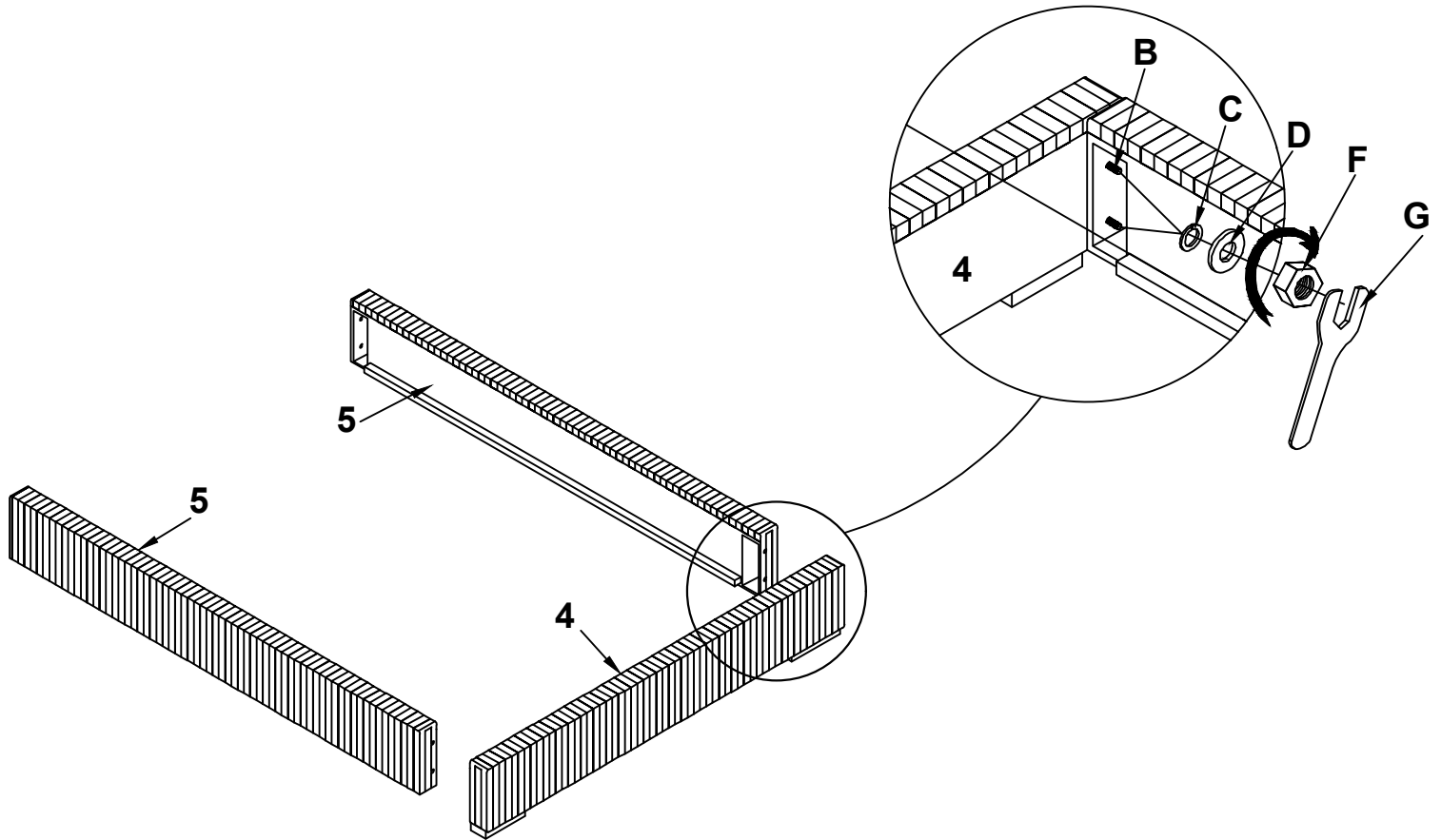
STEP#1:



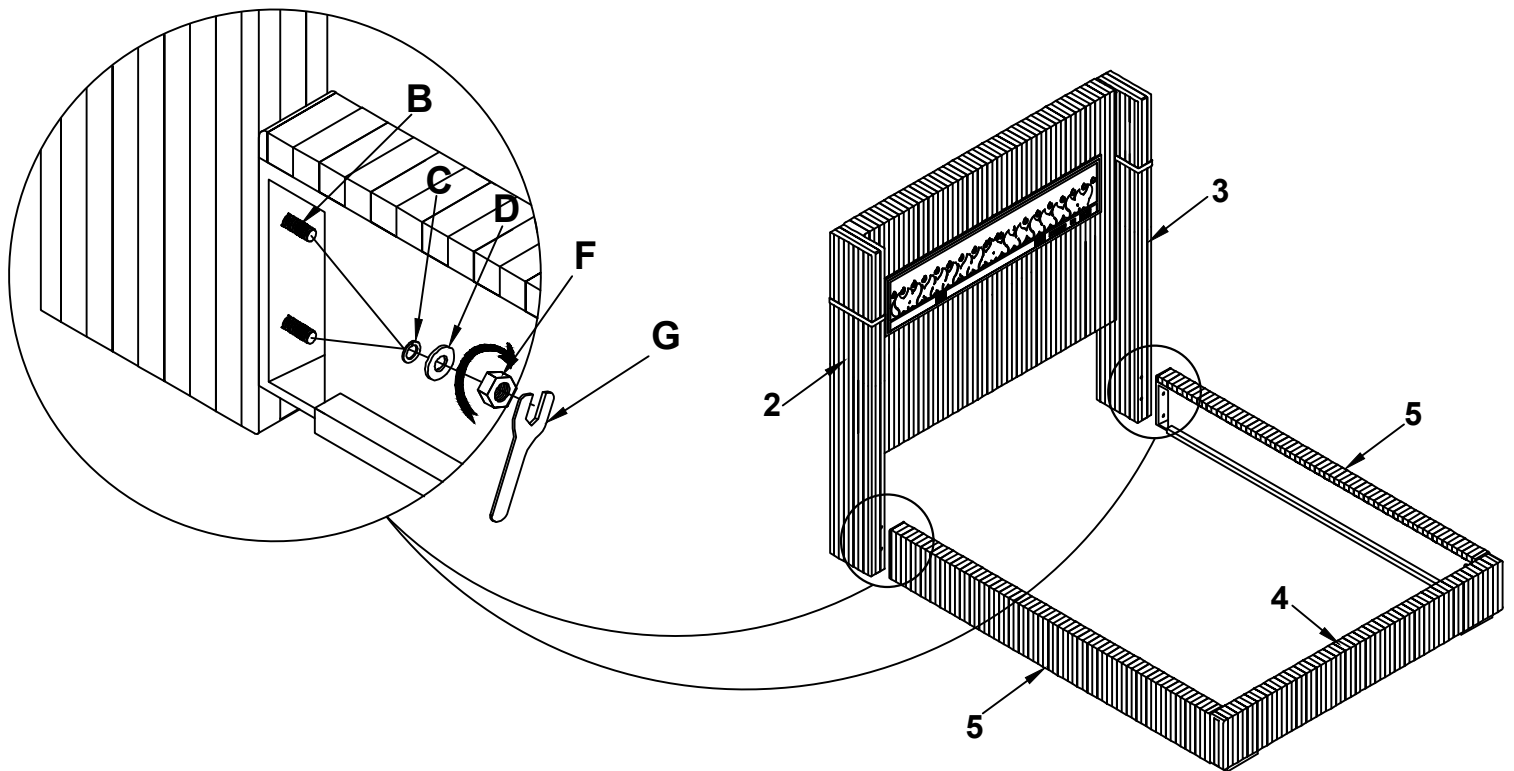
STEP#2:



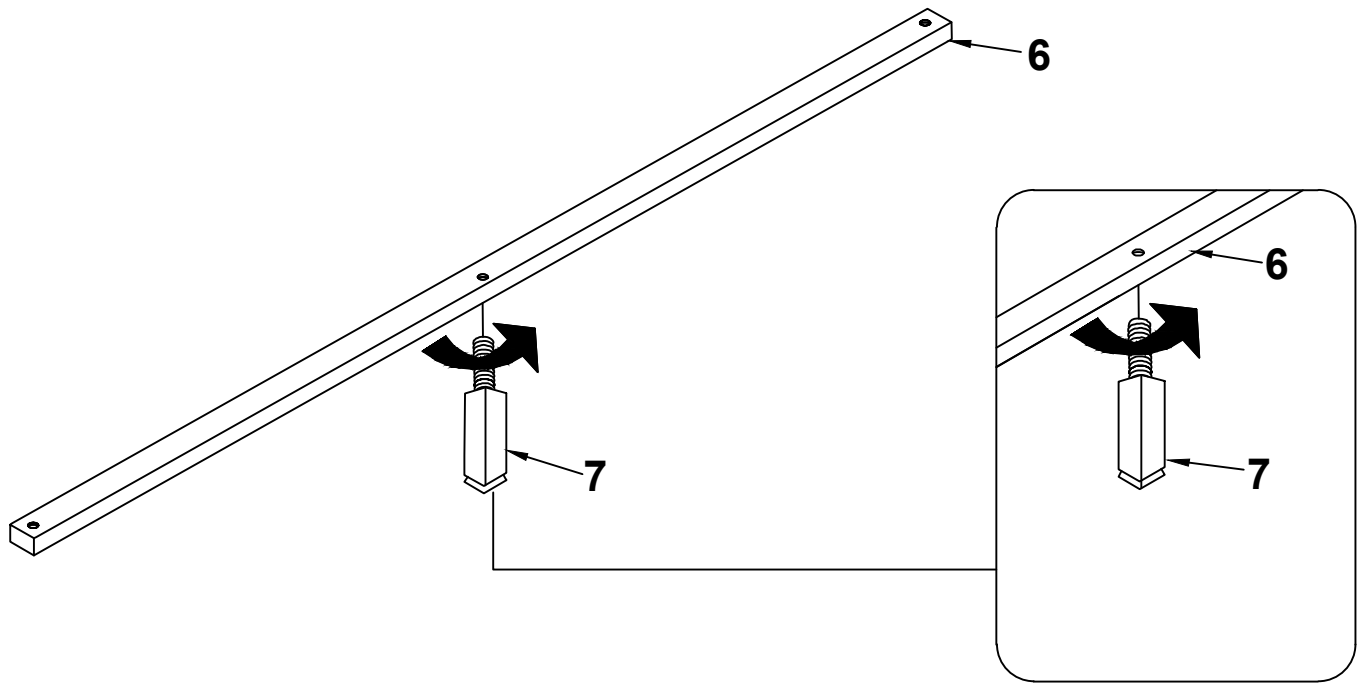
STEP#3:



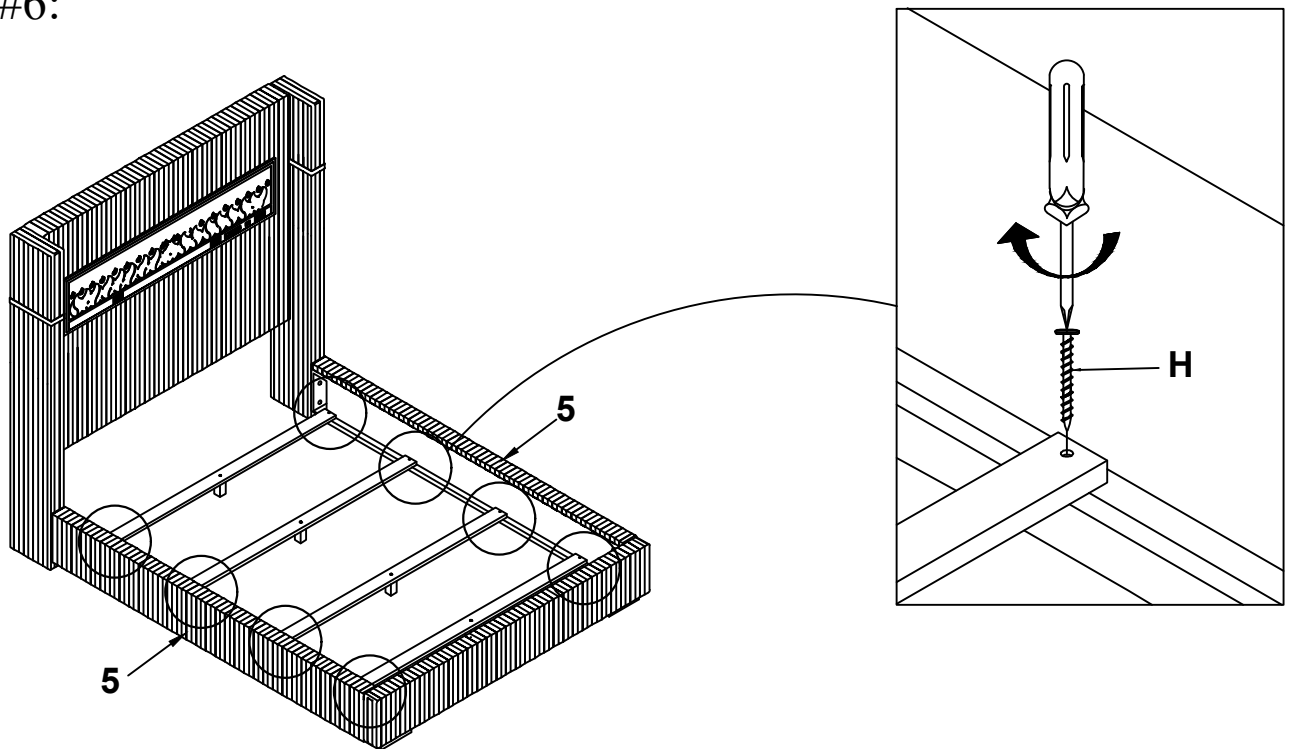
STEP#4:



STEP#5:

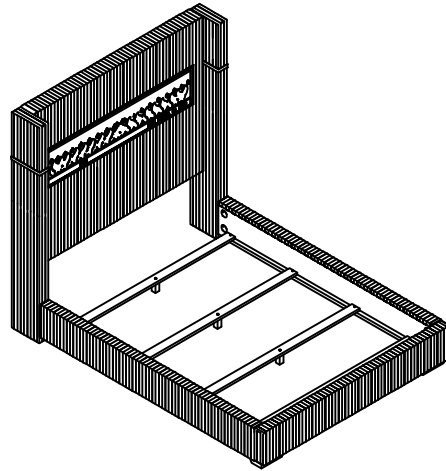


STEP#6:

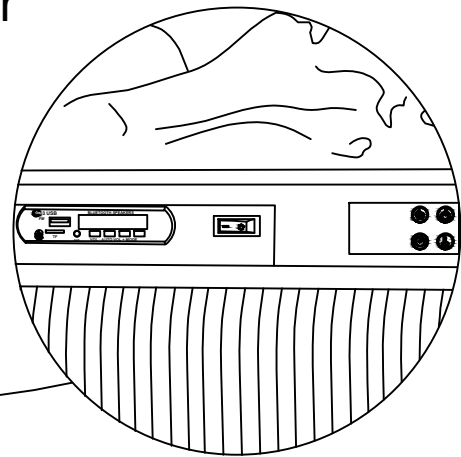
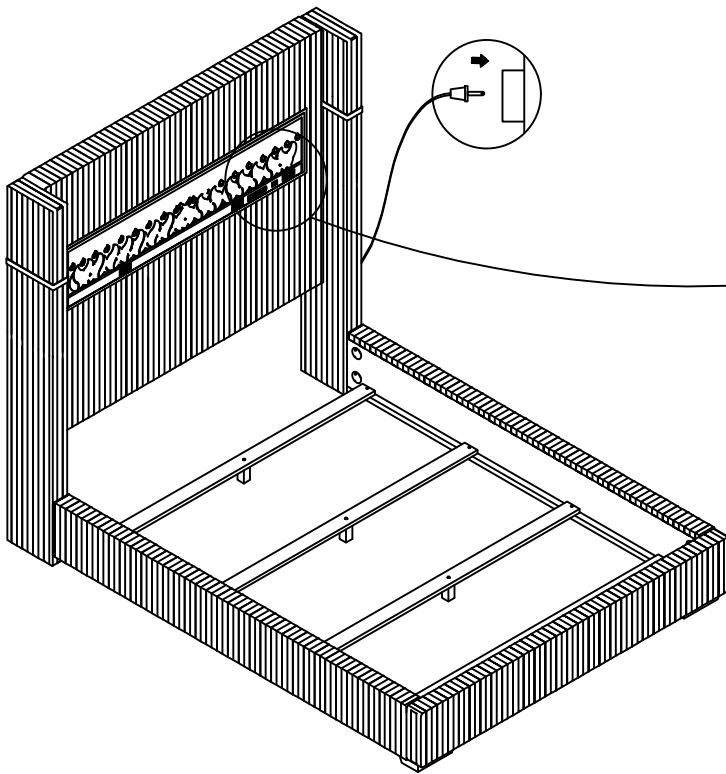


It is recommended to install protective pads under all legs and supports to avoid damage or scratches when placing furniture on a wood floor or other hard surface, and to limit indentation and prevent discoloration if placing on carpet.

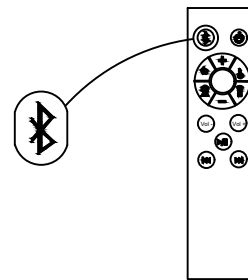
STEP#7:



Connect power



Bluetooth RS01



REMOTE CONTROL

CARE INSTRUCTION FOR POLYESTER:

In order to maintain the original appearance of your polyester furniture, please follow below simple care procedure:

- * Avoid exposing furniture directly to sunlight or heating and air conditioning outlets. Exposure to sunlight or heating and air conditioning outlets will fade/damage polyester.
- * Wipe gently with a damp soft cloth to remove dust, dirt and any grime build up.
- * Hardware may loosen over time. Periodically check to make sure connections are tight. Re-tighten if necessary all connections are tight. Re-tighten if necessary
- * Do not tighten bolts until completely assembled.

 **WARNING**

- Disconnect the electrical plug from the wall outlet before cleaning, moving, servicing or when not in use for an extended period of time.
- Plug directly into a wall outlet. Do not use an extension cord or adaptor.
- Check the condition of the power transformers, electrical cords, plugs and connectors monthly. Keep the power adaptor and electrical cords away from heat sources. Never operate the unit with a damaged power adaptor, electrical cord, plug or connector.
- Before moving the product, please disconnect the electrical plug from the wall outlet and secure the mechanism to prevent unexpected opening or movement. Never move the product by the mechanism, legrest, handle, or reclining back.
- Do not attempt to disassemble or service the adaptor or motor. No serviceable parts are inside.
- Do not allow electrical cord to be pinched between moving parts or between the frame and the floor. Do not place cord under carpet or in location where it could become worn.
- Unplug the power cord immediately if you detect strange odors or fumes coming from the bed.



It is recommended to install protective pads under all legs and supports to avoid damage or scratches when placing furniture on a wood floor or other hard surface, and to limit indentation and prevent discoloration if placing on carpet.

! CAUTION !

Do not allow children to play on the mechanized furniture or operate the mechanism. Top surfaces fold down on closing, so that a child could possibly be injured.

Always leave furniture in the closed position when unattended.

KEEP HANDS CLEAR OF MECHANISM.

PLEASE KEEP ASSEMBLY INSTRUCTION FOR FUTURE REFERENCE