

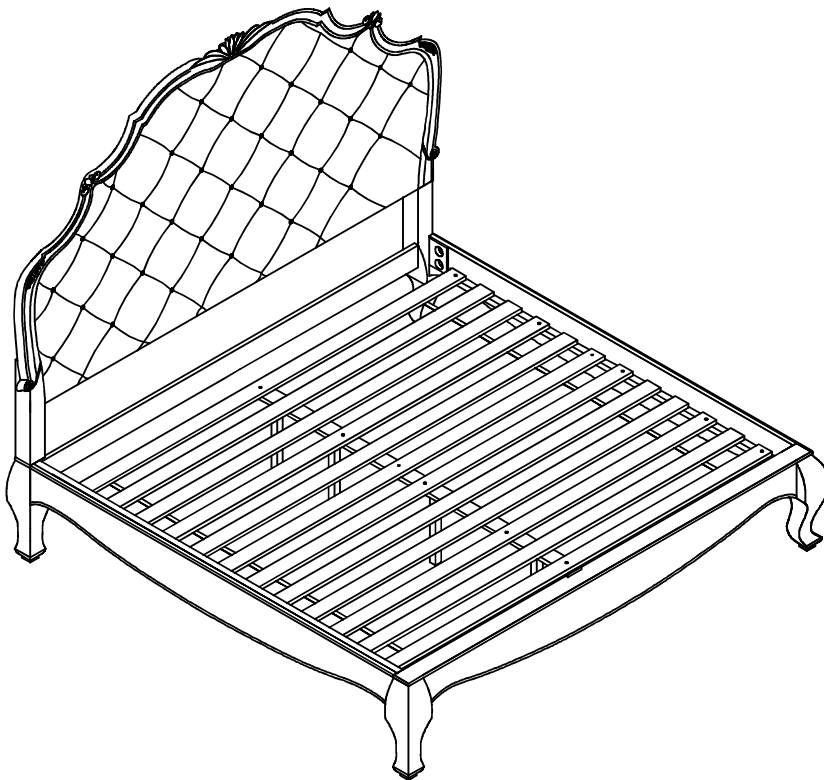
ASSEMBLY INSTRUCTIONS

MODEL #

FOA7929Q/EK

Questions?

GIVE US CALL: 1-888-980-5122
MON-FRI 8:30AM - 5:30PM (PST)



TOOLS REQUIRED



Allen Wrench

(Included)



Wrench

(Included)



Phillips Screwdriver

(Not Included)



3 - People
Recommended

ASSEMBLY RATING



EASY —————> DIFFICULT

The Assembly Rating is a 5-point system showing the level of effort needed to assemble a specific product.



FOA Intro

Thank you for your purchase!

We hope you enjoy this new addition to your home for many years to come.

Our commitment to providing quality products does not simply end when you purchase our product. We fully stand behind our products from start to finish. Our customer service department is available Monday – Friday 8:30 AM – 5:30 PM Pacific and can help with assembly questions as well as, if necessary, replacing damaged or missing parts. To help expedite our service, please have these assembly instructions readily available, along with your order receipt.



Consumer Hotline
Toll-Free 1-888-980-5122



Monday to Friday
8:30AM- 5:30PM (PST)



WEBSITE
www.foagroup.com



E-MAIL
cs.ec@foagroup.com



foagroup



FurnitureOfAmerica



CHECK BEFORE STARTING

Are you missing anything?

Double-check all parts, hardware and accessories listed on Page 6 are accounted for.

Check out our Quick Tips!

We recommend reviewing the pre-assembly handouts. Even experts need a refresher now and then!

Should we send any replacements?

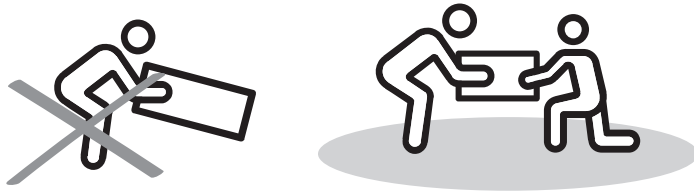
Are there any irregularities or flaws in the parts? We can send replacements!

Prep Time!

Please review the assembly instructions and all diagrams prior to assembling. Arrange parts as recommended on Page 7 and group identical hardware together to make assembling easier.

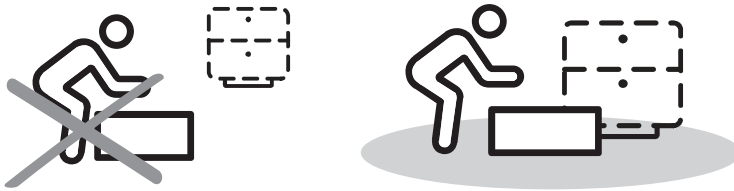
PRE ASSEMBLY INTRODUCTION

We understand building ready-to-assemble furniture can be a challenging experience for some. To help avoid confusion, we have provided some helpful tips that may speed up the process.



Teamwork

ALWAYS have at least two people to help with transporting and assembling the product to avoid potential injury and/or damage.



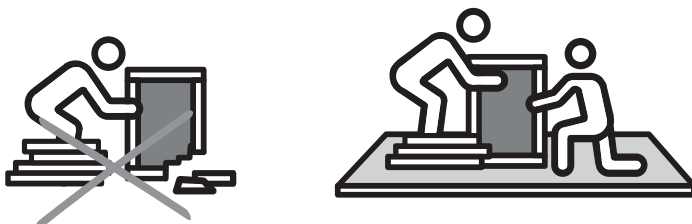
Suitable Location

Assembling near the area of the intended location is highly recommended.



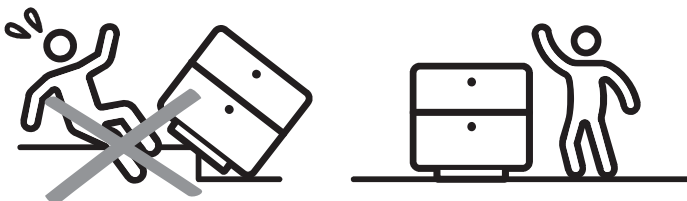
Sufficient Space

Make sure you have enough space to move around during the assembly.



Avoid Scratches

Use cardboard, blankets or a carpeted area while assembling furniture to prevent scratches.



Flat Surface

Make sure the furniture rests on a flat and level surface with each leg evenly touching the floor.

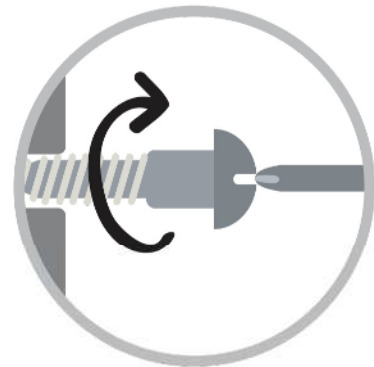
ASSEMBLY AND CARE ADVICE



FAILURE TO FOLLOW THE GUIDELINES BELOW MAY RESULT IN INJURY AND/OR PROPERTY DAMAGE.



Position each part correctly and insert screws or bolts into their respective holes.



Turn clockwise to tighten and only tighten when step is completed or when instructed to do so.



Use the appropriate hand tools or power tools for assembly. Select steps, such as tightening screws and/or bolts, may require hand tools to avoid causing damage during assembly.



Save the instructions and store any supplied tools for later maintenance.



After two weeks, check and tighten any loose hardware and repeat again every six months thereafter.

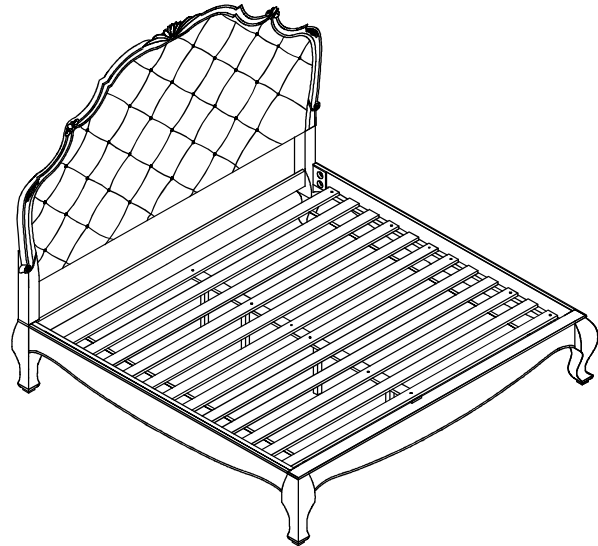
IT IS THE USER'S RESPONSIBILITY TO MAINTAIN THE FURNITURE. THE HARDWARE MAY LOOSEN OVER TIME AND MAY CAUSE THE FURNITURE TO BE WOBBLY AND UNABLE TO SUPPORT ITS INTENDED WEIGHT CAPACITY. THIS MAY LEAD TO COLLAPSE AND MAY CAUSE SERIOUS INJURY.

QUEEN BED E.KING BED

FOA7929Q/EK

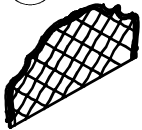


- Please keep instructions for future reference.
- Check the quantity and irregularity of parts and hardware before you start.



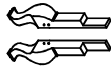
PARTS

#1 1pc



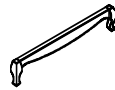
Headboard Panel

#2 2pcs



H/B Leg(R/L)

#3 1pc



Footboard Panel

#4 2pcs



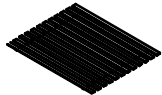
Side Rail

#5 1pc



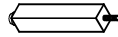
HB Support

#6 12pcs



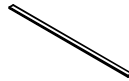
Bed Slat

#7 4pcs



Support Leg

#8 1pc



Center Support Slat

HARDWARE

#A 10pcs



Bolt Ø5/16"x2"

#B 10pcs



Lock Washer Ø5/16"

#C 10pcs



Flat Washer Ø5/16"

#D 1pc



Allen Wrench M4

#E 18 pcs



Screw#4x30mm

#F 8pcs



Threaded Pins Ø5/16"x3-1/2"

#G 8pcs



Half Moon Washer Ø5/16"

#H 8pcs



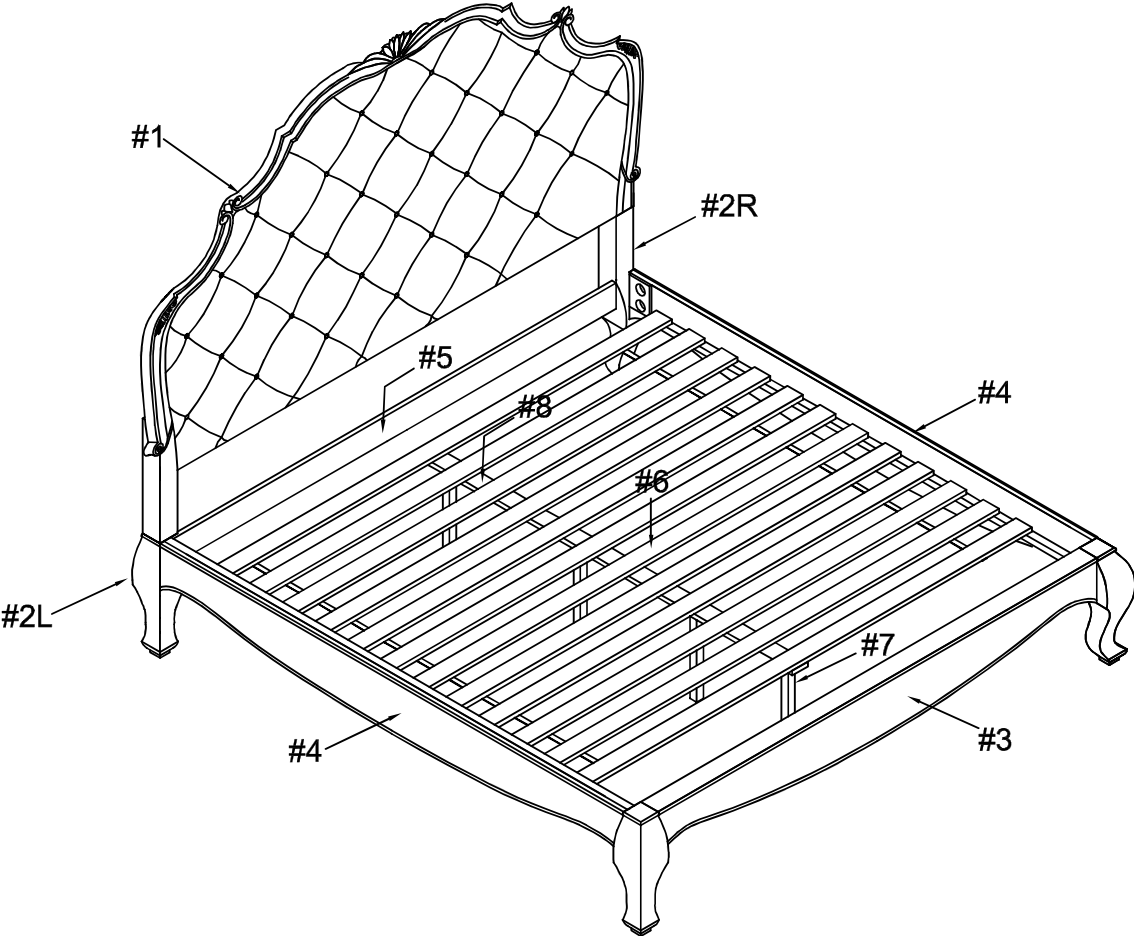
Hex Nut Ø5/16"

#I 1pc








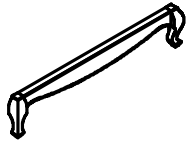

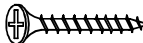




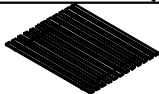
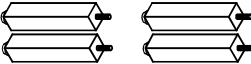
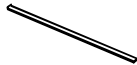


Wrench 12mm

Exploded View



FOA7929Q/EK is packed in 3 cases

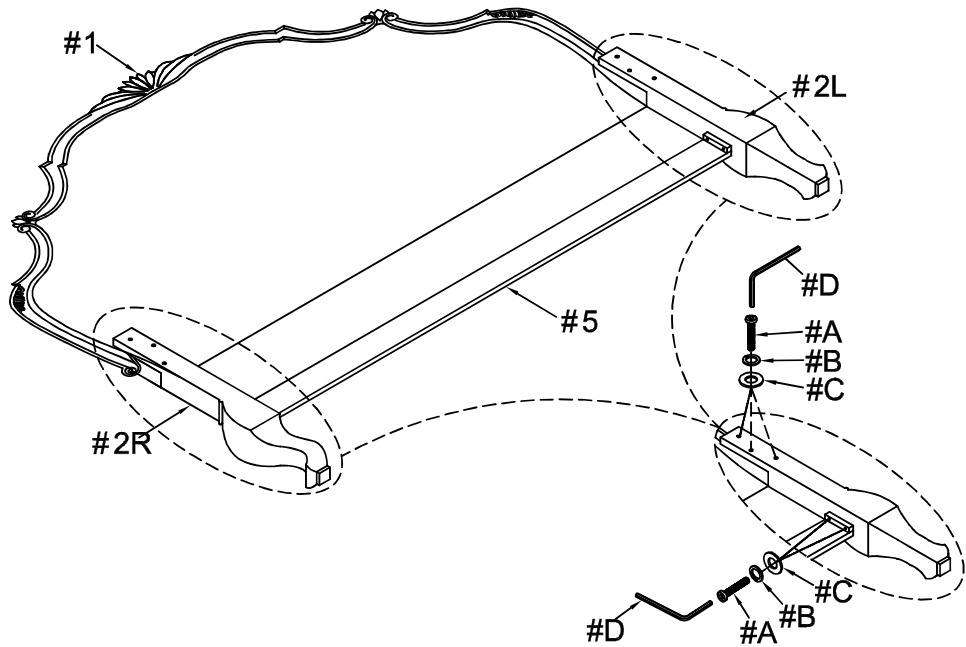
Carton	Disignation	Part		Hardware
FOA7929Q/K-HB	Headboard Panel	#1		 #A x 10pcs  #B x 10pcs  #C x 10pcs  #D x 1pc
	H/B Leg(R/L)	#2		
	HB Support	#5		
FOA7929Q/K-FB	Footboard Panel	#3		
FOA7929Q/EK-R	Side Rail	#4		 #E x 18 pcs  #F x 8pcs  #G x 8pcs  #H x 8pcs  #I x 1pc
	Bed Slat	#6		
	Support Leg	#7		
	Center Support Slat	#8		

ASSEMBLY INSTRUCTIONS

1

- Part #1 x1pc
- Part #2 x2pcs
- Part #5 x1pc
- Hardware #A x10pcs
- Hardware #B x10pcs
- Hardware #C x10pcs

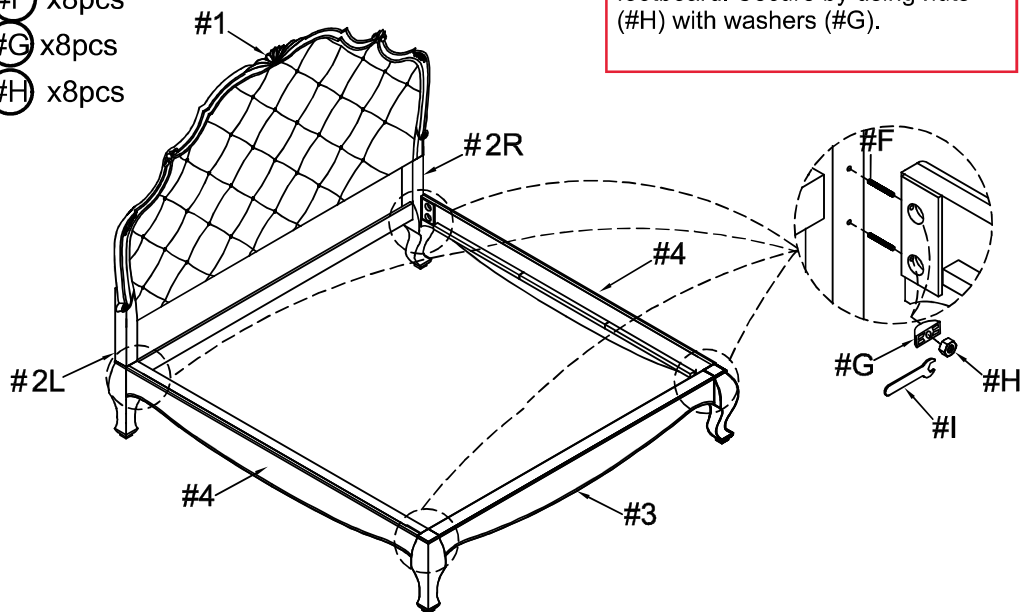
Align HB legs (#2R/L) to the headboard (#1) and HB support (#5), then secure by using bolts (#A) with washers (#B,C).



2

- Part #4 x2pcs
- Hardware #F x8pcs
- Hardware #G x8pcs
- Hardware #H x8pcs

Attach threaded studs (#F) to the headboard and footboard, then align side rails (#4) to the threaded studs (#F) on the headboard and footboard. Secure by using nuts (#H) with washers (#G).



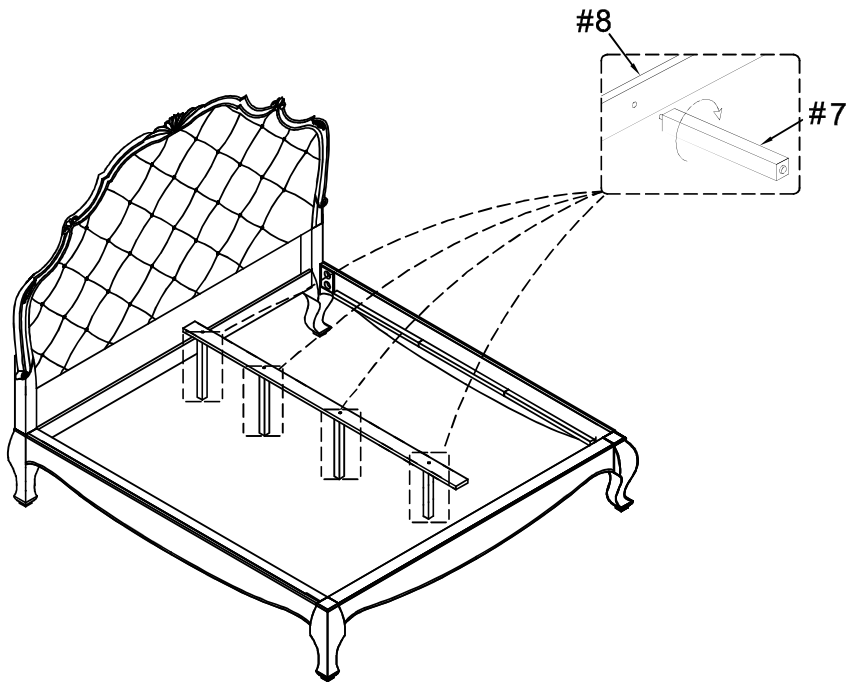
ASSEMBLY INSTRUCTIONS

3

Part #7 x4 pcs

Part #8 x1 pc

Attach support legs (#7) to the support slat (#8).

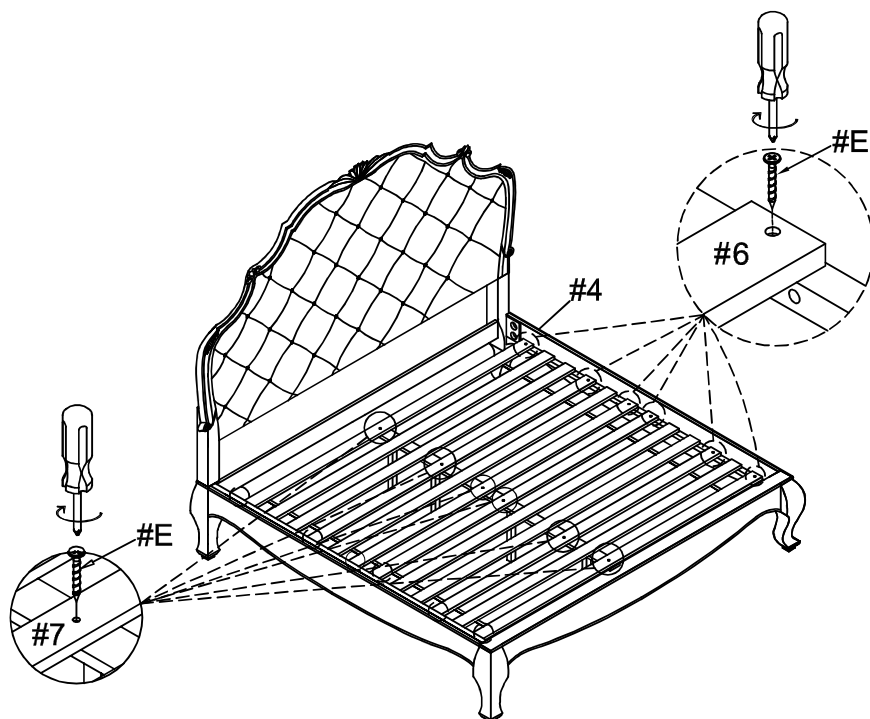


4

Part #6 x12 pcs

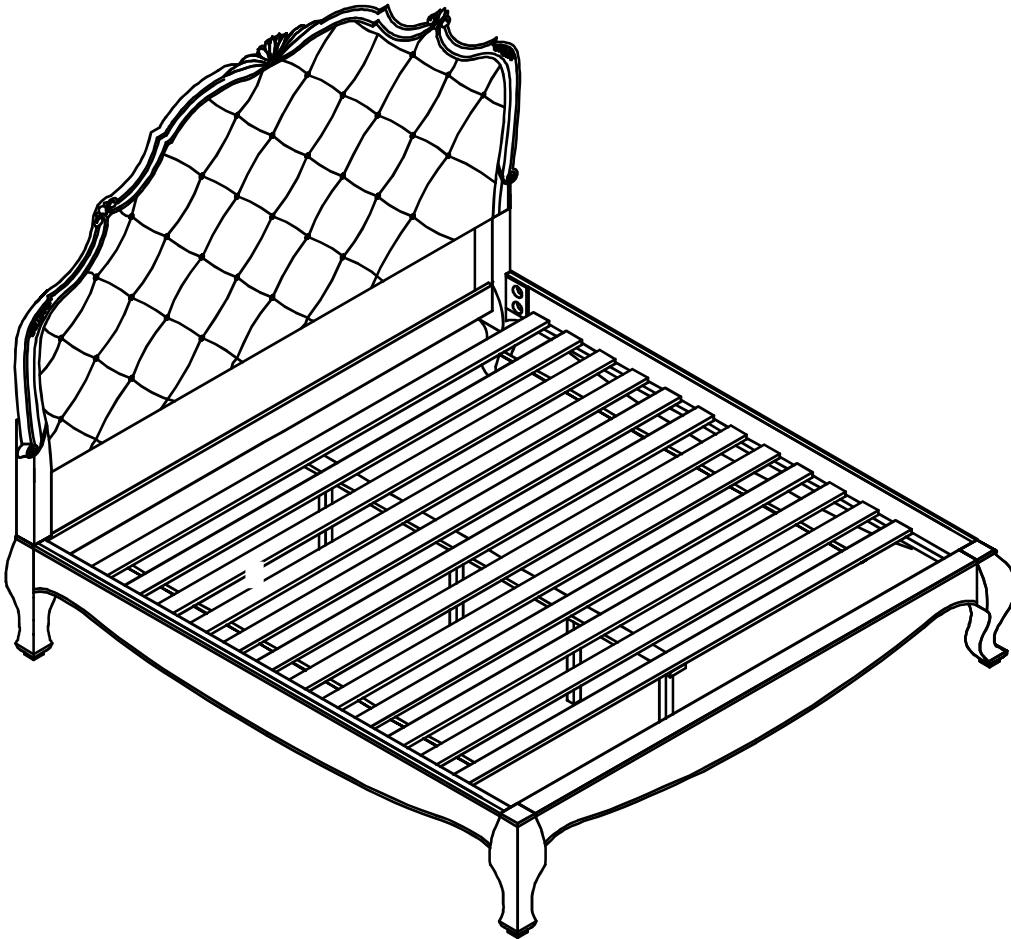
Hardware #E x18 pcs

Align slats (#8) to the support slat (#7) and side rails (#4), then secure by using screws (#E).



ASSEMBLY INSTRUCTIONS

5



ASSEMBLY COMPLETED



Please ensure the furniture rests on an even and flat surface. If the product wobbles or feels loose, double-check all bolts and/or screws are properly tightened and secured.

✓ **Keep this handy!**

Please retain this instruction manual and any order-related information for future reference.

✓ **Lift, don't drag!**

To avoid damage to product please always LIFT the product when transporting or adjusting the placement.