

ASSEMBLY INSTRUCTIONS

MODEL #

FOA1749

Questions?

GIVE US CALL: 1-888-980-5122
MON-FRI 8:30AM - 5:30PM (PST)

TOOLS REQUIRED



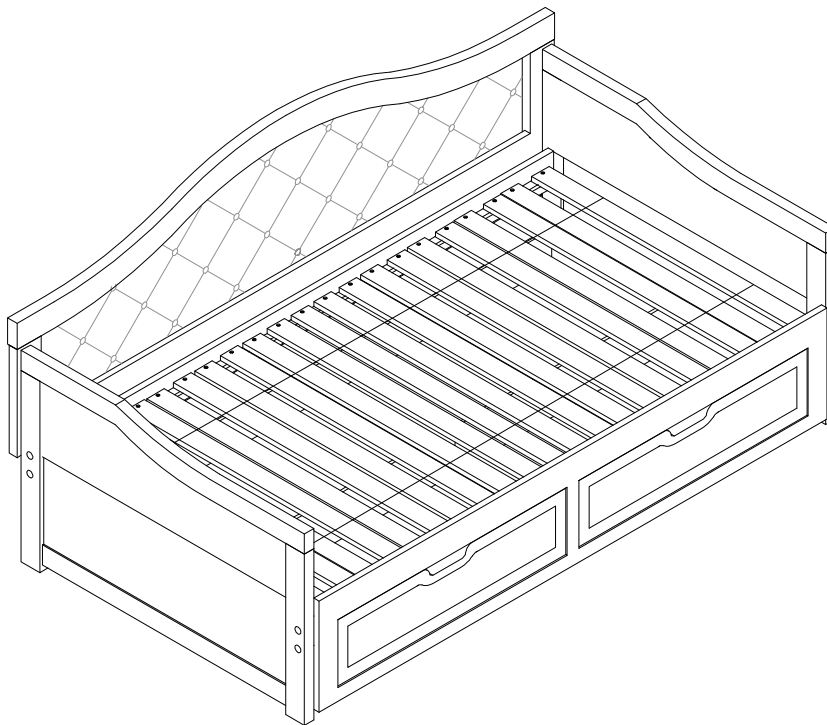
Allen Wrench

(Included)



Phillips
Screwdriver

(Not Included)



3 - People
Recommended

ASSEMBLY RATING



EASY —————> DIFFICULT

The Assembly Rating is a 5-point system showing the level of effort needed to assemble a specific product.



FOA Intro

Thank you for your purchase!


We hope you enjoy this new addition to your home for many years to come.

Our commitment to providing quality products does not simply end when you purchase our product. We fully stand behind our products from start to finish. Our customer service department is available Monday – Friday 8:30 AM – 5:30 PM Pacific and can help with assembly questions as well as, if necessary, replacing damaged or missing parts. To help expedite our service, please have these assembly instructions readily available, along with your order receipt.

 **Consumer Hotline**
Toll-Free 1-888-980-5122

 **WEBSITE**
www.foagroup.com

    foagroup

 **Monday to Friday**
8:30AM- 5:30PM (PST)

 **E-MAIL**
cs.ec@foagroup.com

 FurnitureOfAmerica

CHECK BEFORE STARTING

Are you missing anything?

Double-check all parts, hardware and accessories listed on Page 6 are accounted for.

Should we send any replacements?

Are there any irregularities or flaws in the parts? We can send replacements!

Check out our Quick Tips!

We recommend reviewing the pre-assembly handouts. Even experts need a refresher now and then!

Prep Time!

Please review the assembly instructions and all diagrams prior to assembling. Arrange parts as recommended on Page 7 and group identical hardware together to make assembling easier.

PRE ASSEMBLY INTRODUCTION

We understand building ready-to-assemble furniture can be a challenging experience for some. To help avoid confusion, we have provided some helpful tips that may speed up the process.



Teamwork

ALWAYS have at least two people to help with transporting and assembling the product to avoid potential injury and/or damage.



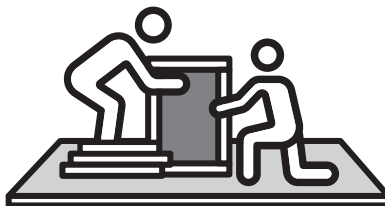
Suitable Location

Assembling near the area of the intended location is highly recommended.



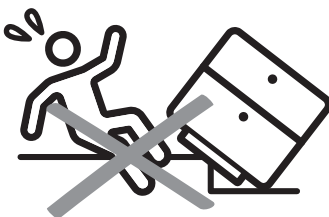
Sufficient Space

Make sure you have enough space to move around during the assembly.



Avoid Scratches

Use cardboard, blankets or a carpeted area while assembling furniture to prevent scratches.



Flat Surface

Make sure the furniture rests on a flat and level surface with each leg evenly touching the floor.

ASSEMBLY AND CARE ADVICE



FAILURE TO FOLLOW THE GUIDELINES BELOW MAY RESULT IN INJURY AND/OR PROPERTY DAMAGE.



Position each part correctly and insert screws or bolts into their respective holes.



Turn clockwise to tighten and only tighten when step is completed or when instructed to do so.



Use the appropriate hand tools or power tools for assembly. Select steps, such as tightening screws and/or bolts, may require hand tools to avoid causing damage during assembly.



Save the instructions and store any supplied tools for later maintenance.



After two weeks, check and tighten any loose hardware and repeat again every six months thereafter.

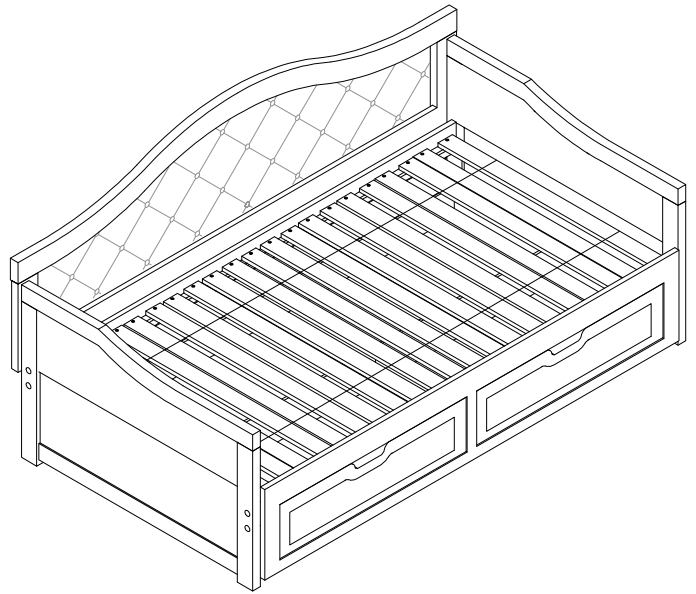
IT IS THE USER'S RESPONSIBILITY TO MAINTAIN THE FURNITURE. THE HARDWARE MAY LOOSEN OVER TIME AND MAY CAUSE THE FURNITURE TO BE WOBBLY AND UNABLE TO SUPPORT ITS INTENDED WEIGHT CAPACITY. THIS MAY LEAD TO COLLAPSE AND MAY CAUSE SERIOUS INJURY.

DAYBED W/ EXTENDABLE TRUNDLE

FOA1749

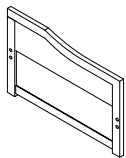


- Please keep instructions for future reference.
- Check the quantity and irregularity of parts and hardware before you start.



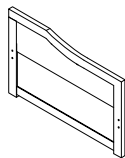
PARTS

#1 1pc



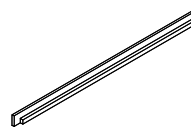
Left Headboard

#2 1pc



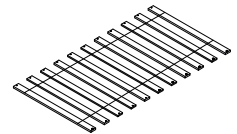
Right Headboard

#3 1pc



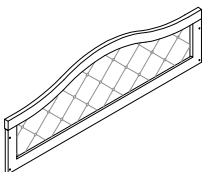
Side rail

#4 1set



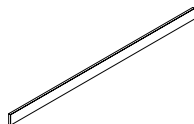
Slat (11pcs)

#5 1pc



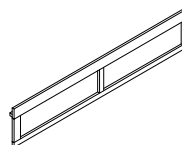
Back frame

#6 1pc



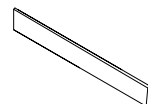
Side rail

#7 1pc



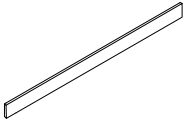
Back frame

#8 1pc



Left Back frame

#9 1pc



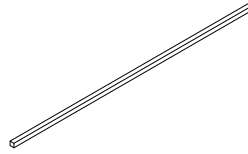
Back frame

#10 2pcs



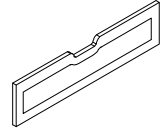
Back frame

#11 1pc



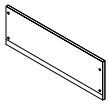
Back frame

#12 2pcs



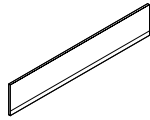
Back frame

#13 4pcs



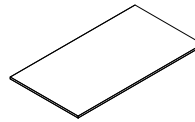
Back frame

#14 2pcs



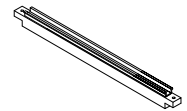
Back frame

#15 2pcs



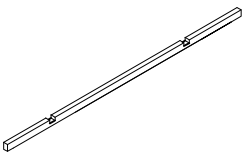
Back frame

#16 2pcs



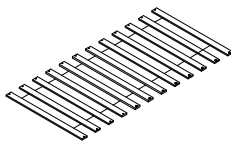
Back frame

#17 1pc



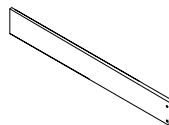
Back frame

#18 1set



Slat (12pcs)

#19 1pc



Right Back frame

#20 1pc



Back frame

HARDWARE

#A 8pcs



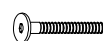
Bolt Ø5/16"x85mm"

#B 8pcs



Bolt Ø1/4"x30mm"

#C 4pcs



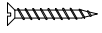
Bolt Ø5/16"x50mm"

#D 1pc



Allen Key

#E 56pcs



Screw #4x35mm

#F 8pcs



Bolt Ø5/16"

#G 2pcs



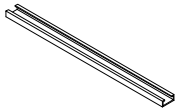
Bolt Ø1/4"x50mm"

#H 4pcs



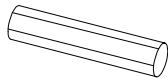
Bolt Ø1/4"x75mm"

#I 2pcs



SCROLL BAR

#K 4pcs



WOODEN PEGS #8x30mm

#L 8pcs



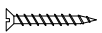
Screw #4x20mm

#M 4pcs



Bolt Ø1/4"

#N 16pcs



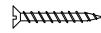
Screw #4x25mm

#O 4pcs



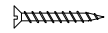
WHEEL

#P 4pcs



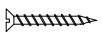
Screw #3x12mm

#Q 2pcs



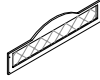
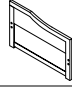

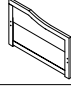

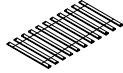




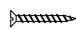


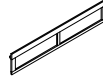
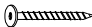
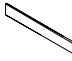



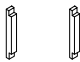

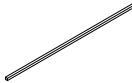
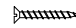
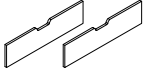


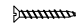
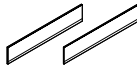

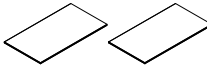
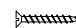

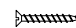

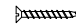

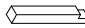
Screw #3x15mm

#R 1pc



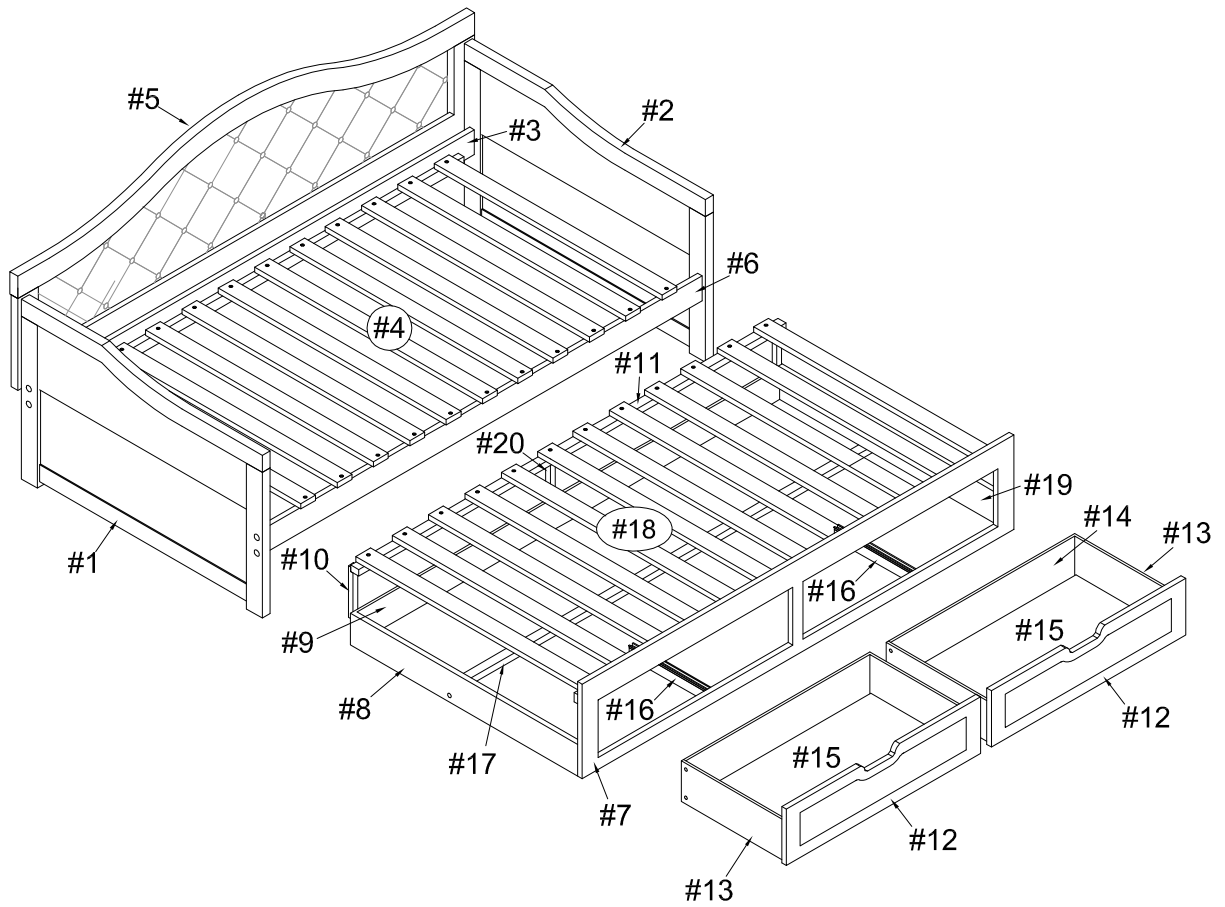
Screw #4x50mm

FOA1749 is packed in 3 cases

Carton	Disignation	Part	Hardware
FOA1749-1	Back frame	#5 	FOA-1749-3
FOA1749-2	Left Headboard	#1 	 #A x 8pcs
	Right Headboard	#2 	 #B x 8pcs
	Slat (11pcs)	#4 	 #C x 4pcs
	Slat (12pcs)	#18 	 #D x 1pc
FOA1749-3	Side rail	#3 	 #E x 56pcs
	Back frame	#6 	 #F x 8pcs
	Left Back frame	#7 	 #G x 2pcs
	Back frame	#8 	 #H x 4pcs
	Back frame	#9 	 #I x 2pcs
	Back frame	#10 	 #K x 12pcs
	Back frame	#11 	 #L x 8pcs
	Left Back frame	#12 	 #M x 4pcs
	Back frame	#13 	 #N x 16pcs
	Back frame	#14 	 #O x 4pcs
	Back frame	#15 	 #P x 4pcs
	Back frame	#16 	 #Q x 2pcs
	Right Back frame	#17 	 #R x 1pc
	Right Back frame	#19 	
	Back frame	#20 	

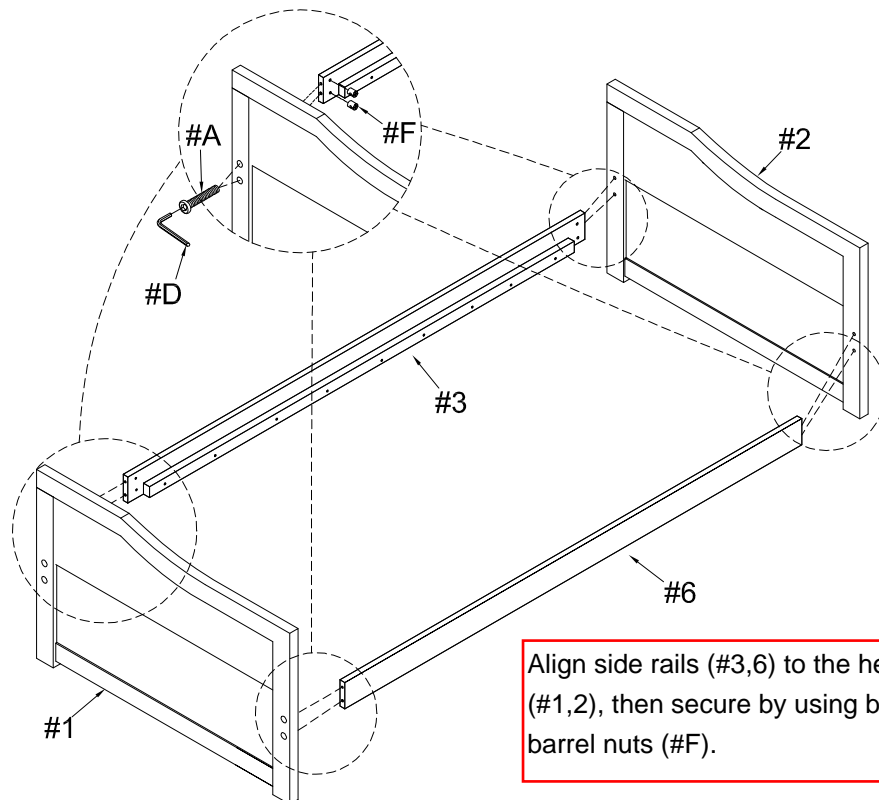
ASSEMBLY INSTRUCTIONS

1



2

- Part #1 x1pc
- Part #2 x1pc
- Part #3 x1pc
- Part #6 x1pc
- Hardware #A x8pcs
- Hardware #D x1pc
- Hardware #F x8pcs



Align side rails (#3,6) to the headboards (#1,2), then secure by using bolts (#A) onto barrel nuts (#F).

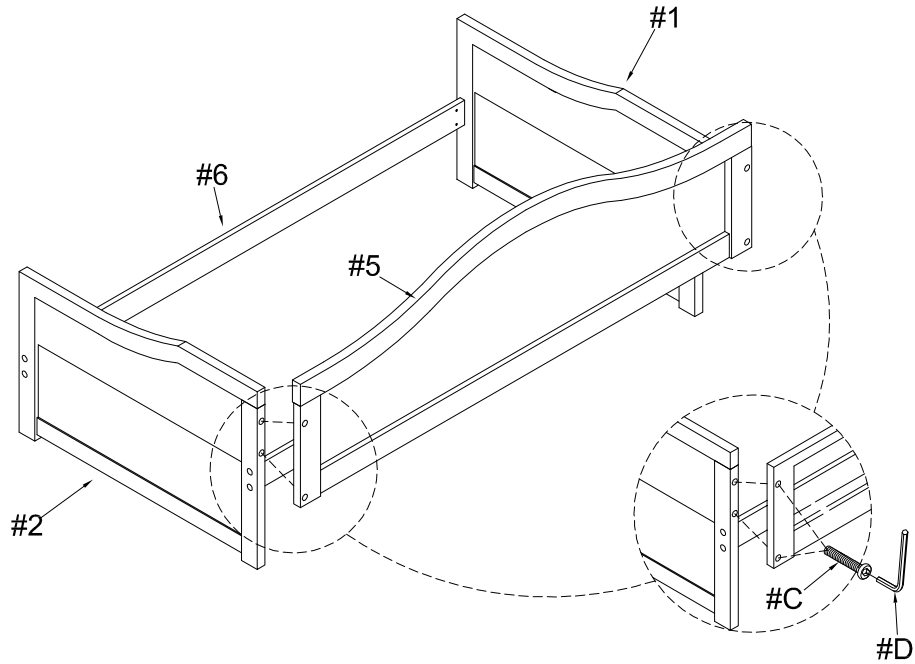
ASSEMBLY INSTRUCTIONS

3

Part #5 x1pc

Hardware #C x4pcs

Align back frame (#5) to the headboards (#1,2), then secure by using bolts (#C).

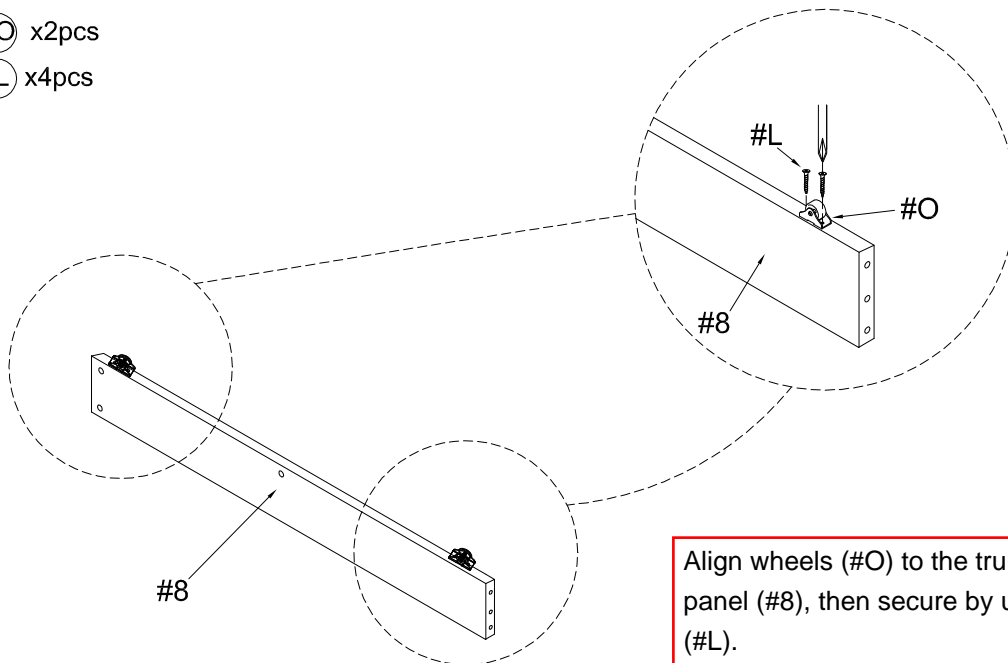


4

Part #8 x1pc

Hardware #O x2pcs

Hardware #L x4pcs



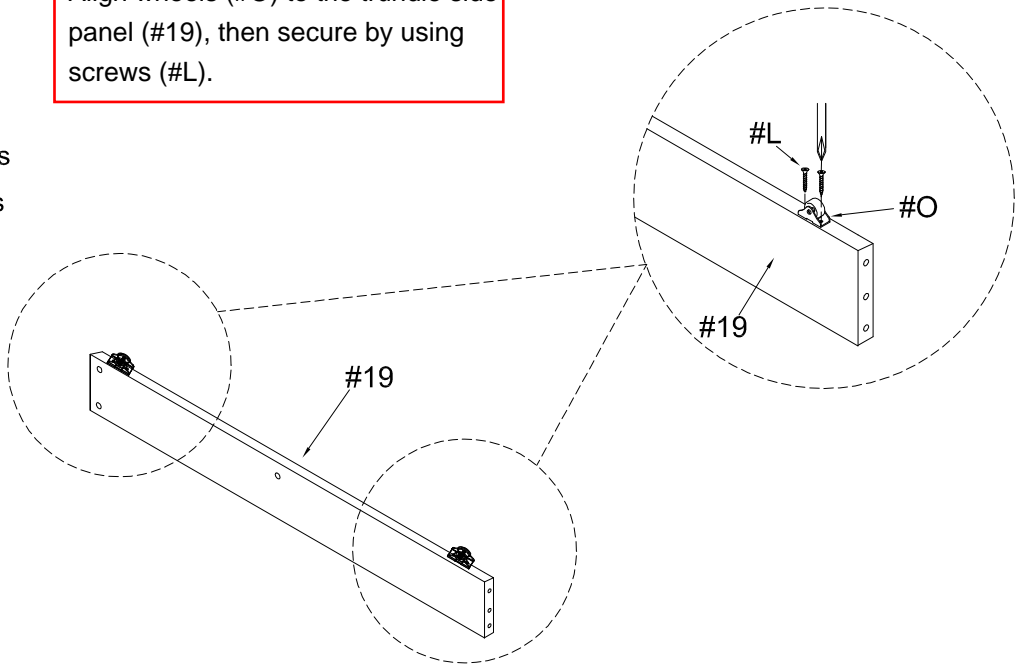
Align wheels (#O) to the trundle side panel (#8), then secure by using screws (#L).

ASSEMBLY INSTRUCTIONS

5

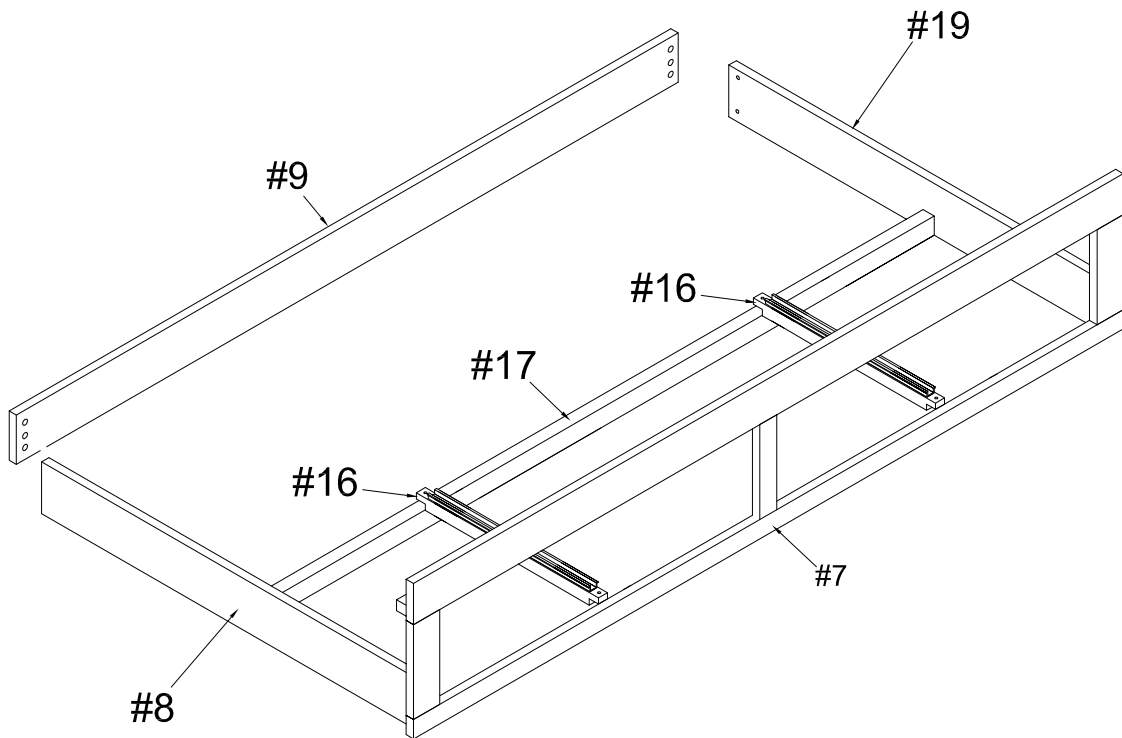
Align wheels (#O) to the trundle side panel (#19), then secure by using screws (#L).

- Part #19 x1pc
- Hardware #O x2pcs
- Hardware #L x4pcs



6

THIS IS A FULL IMAGE ON WHAT PANELS YOU NEED.

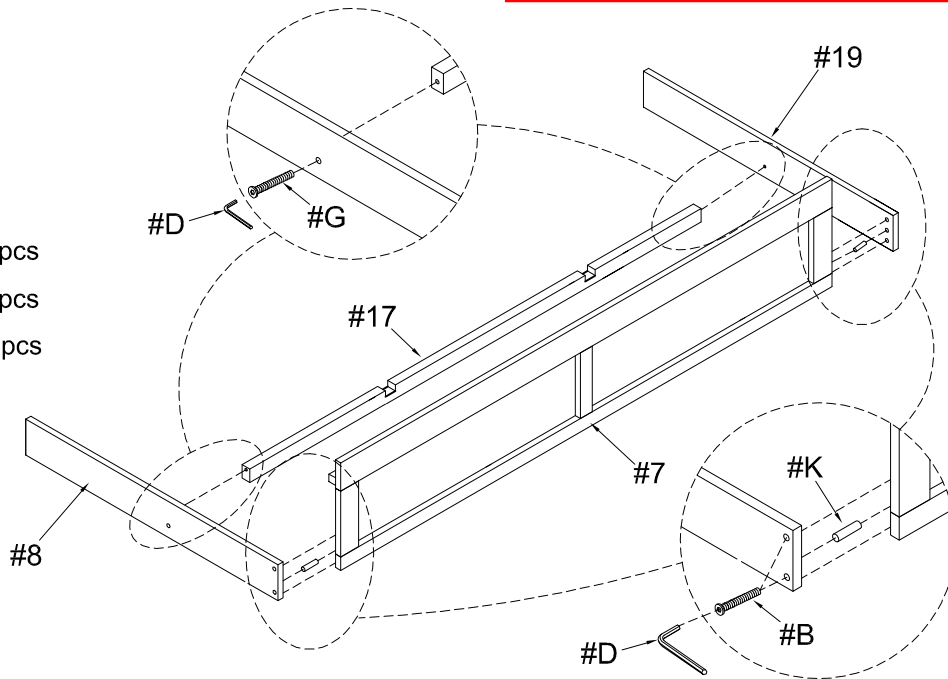


ASSEMBLY INSTRUCTIONS

Insert dowels (#K) to trundle side panels (#8,19). Align trundle side panels (#8,19) to the trundle front and center support (#7,17), then secure by using bolts (#B) and screws (#G) as shown in the diagram.

7

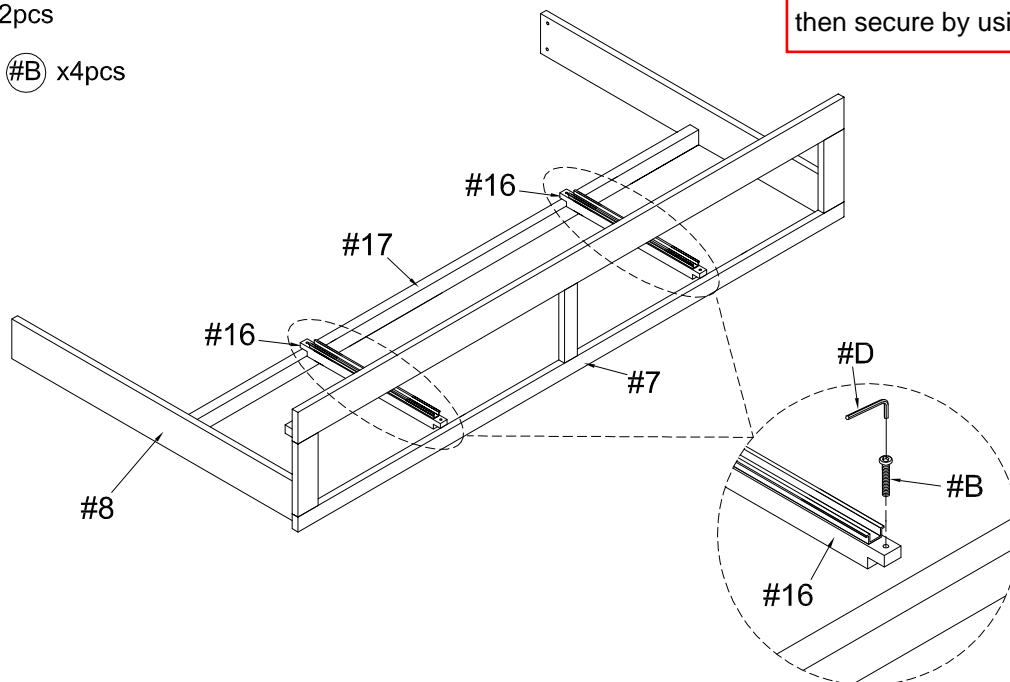
- Part #17 x1pc
- Part #7 x1pc
- Part #8 x1pc
- Part #19 x1pc
- Hardware #K x2pcs
- Hardware #B x4pcs
- Hardware #G x2pcs



8

- Part #16 x2pcs
- Hardware #B x4pcs

Align rails (#16) onto frames (#7,17), then secure by using bolts (#B).



ASSEMBLY INSTRUCTIONS

9

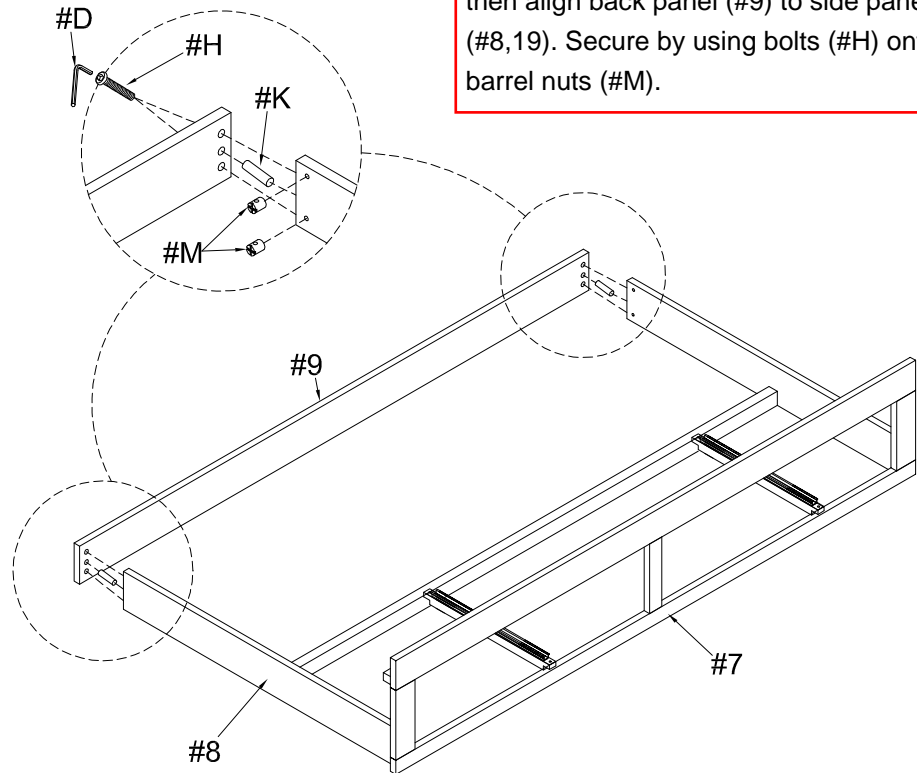
Part #9 x1pc

Hardware #H x4pcs

Hardware #M x4pcs

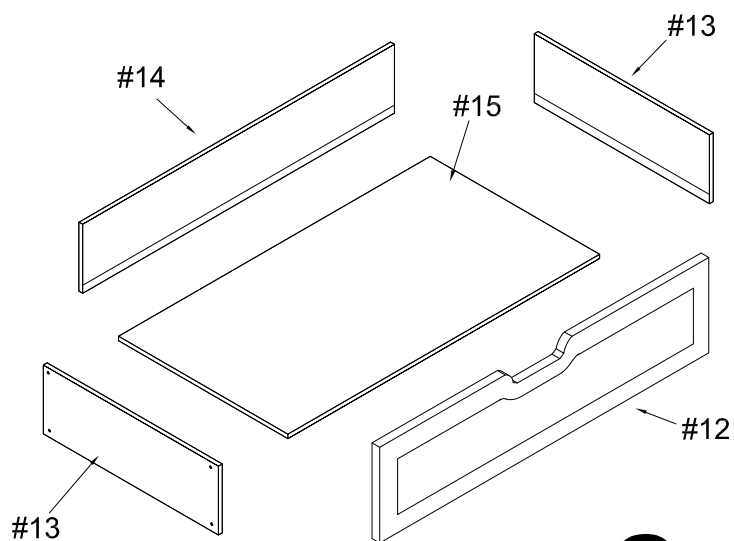
Hardware #K x2pcs

Insert dowels (#K) to side panels (#8,19), then align back panel (#9) to side panels (#8,19). Secure by using bolts (#H) onto barrel nuts (#M).



10

THIS IS A FULL IMAGE ON WHAT PANELS YOU NEED.



x 2

ASSEMBLY INSTRUCTIONS

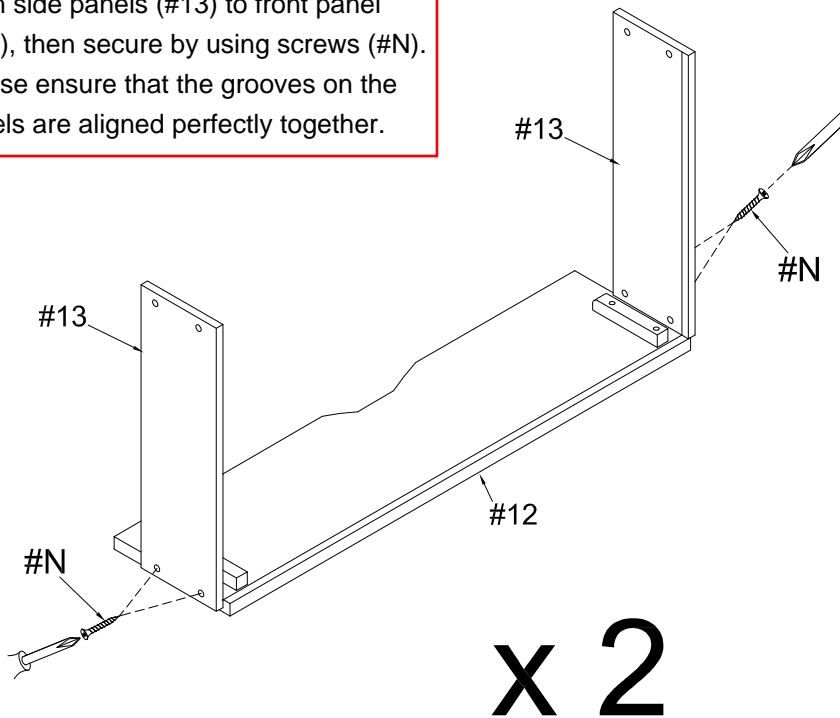
11

Part #12 x1pc

Part #13 x2pcs

Hardware #N x4pcs

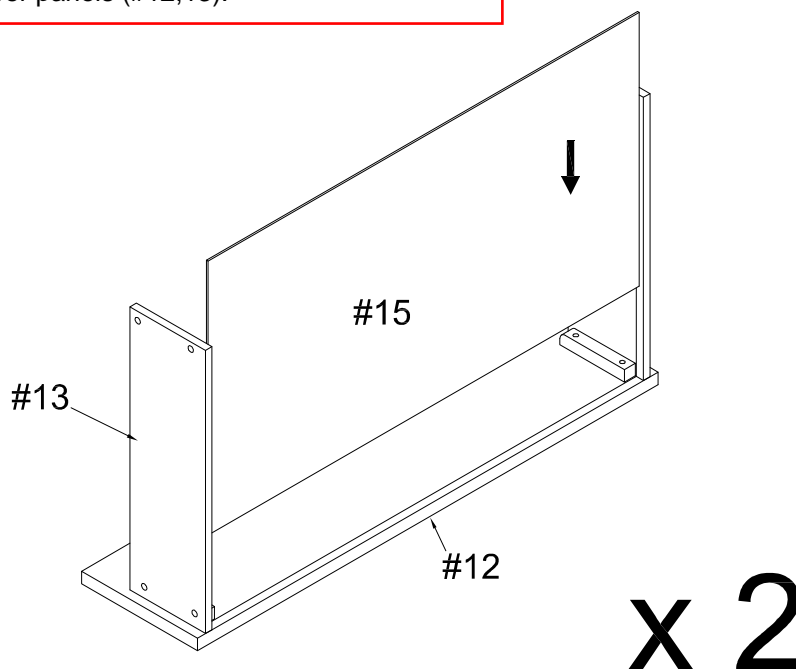
Align side panels (#13) to front panel (#12), then secure by using screws (#N). Please ensure that the grooves on the panels are aligned perfectly together.



12

Part #15 x1pc

Slide bottom (#15) through the grooves of the drawer panels (#12,13).

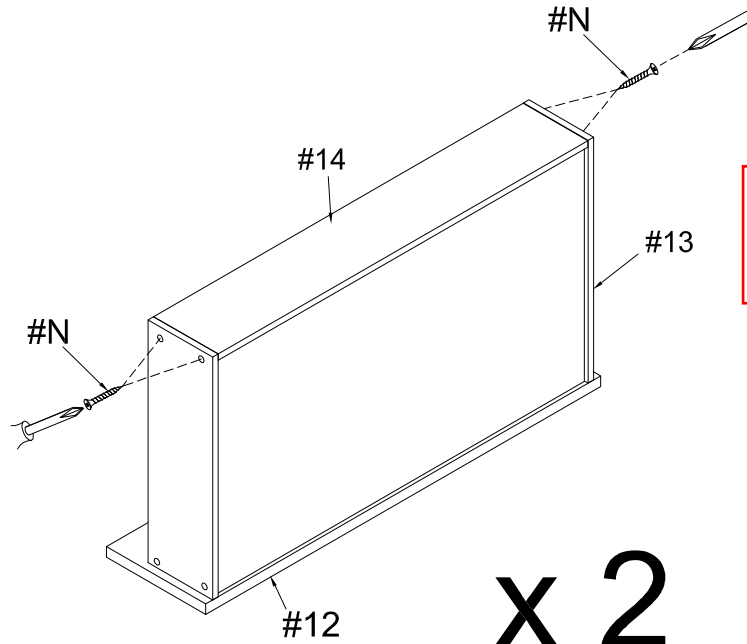


ASSEMBLY INSTRUCTIONS

13

Part #14 x1pc

Hardware #N x4pcs



Align back panel (#14) to the drawer panels, then secure by using screws (#N).

x 2

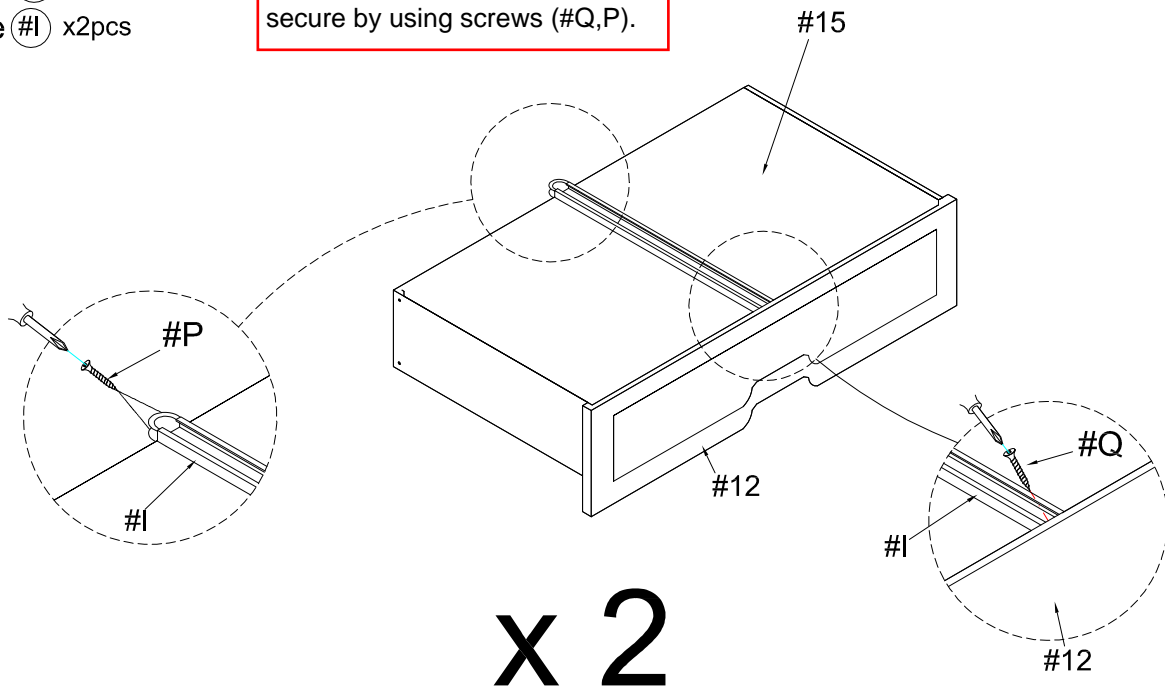
14

Hardware #P x4pcs

Hardware #Q x2pcs

Hardware #I x2pcs

Align drawer rail (#I) onto the drawer bottom panel (#15), then secure by using screws (#Q,P).



x 2

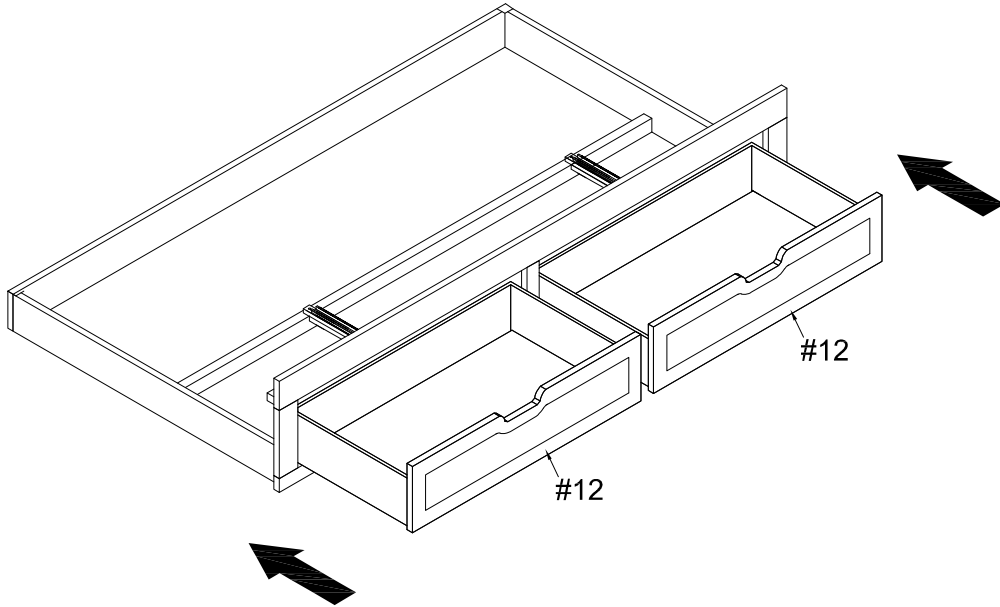
ASSEMBLY INSTRUCTIONS

15

Part #7 x2pcs

Part #15 x1pc

Align and swiftly push drawers (#12) into the trundle frame.



16

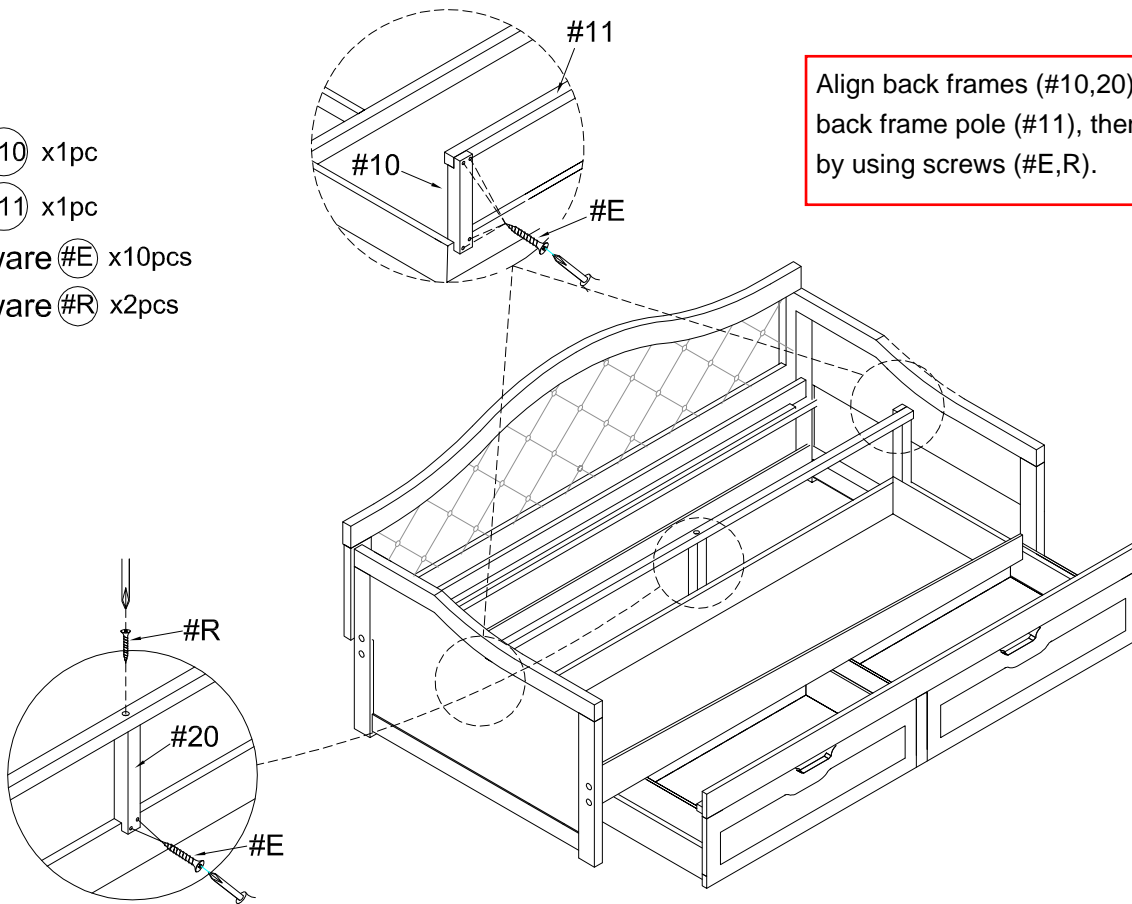
Part #10 x1pc

Part #11 x1pc

Hardware #E x10pcs

Hardware #R x2pcs

Align back frames (#10,20) to the back frame pole (#11), then secure by using screws (#E,R).

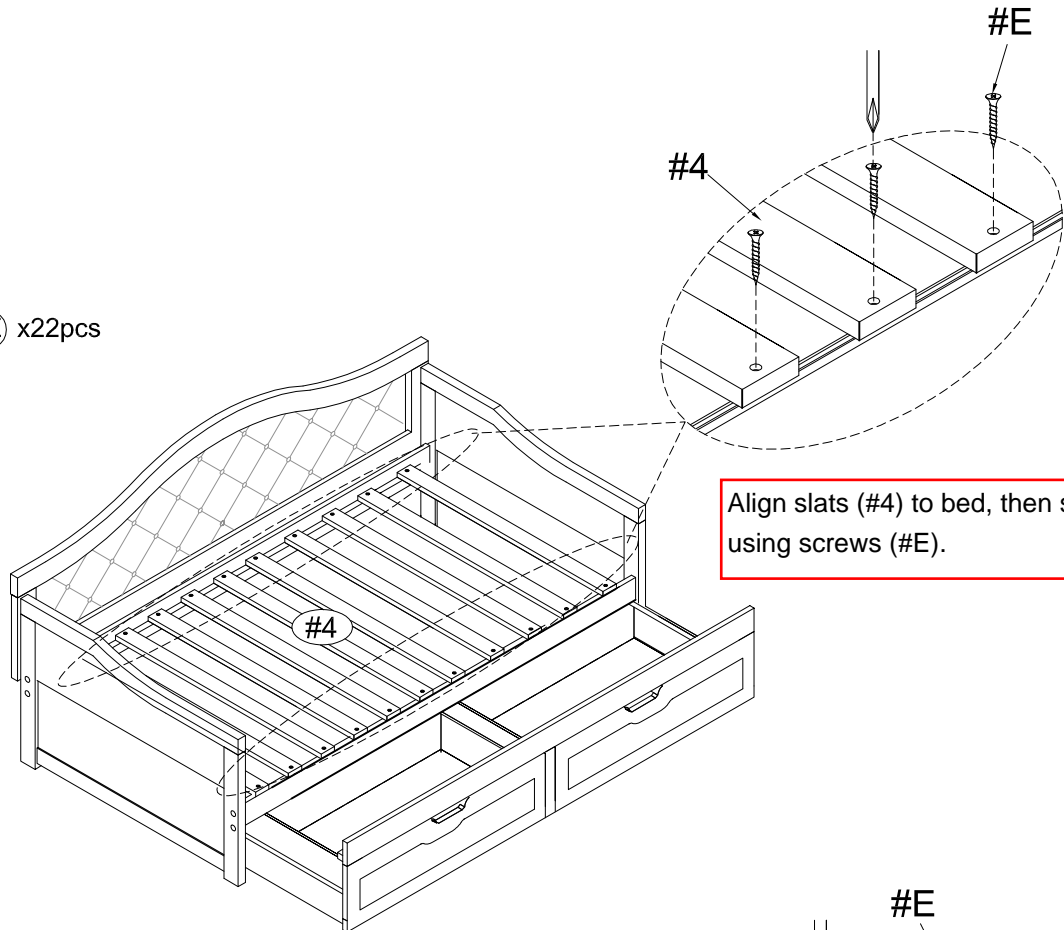


ASSEMBLY INSTRUCTIONS

17

Part #4 x1set

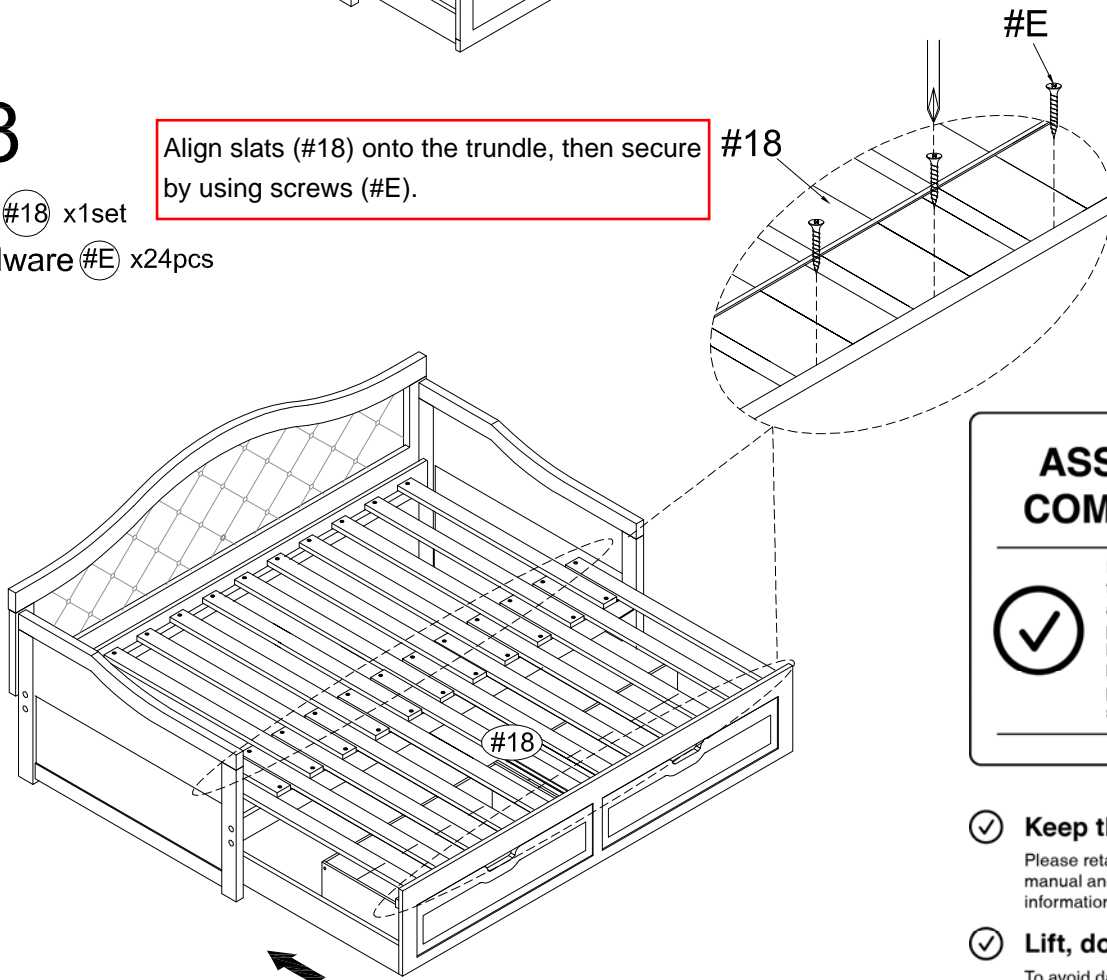
Hardware #E x22pcs



18

Part #18 x1set

Hardware #E x24pcs



ASSEMBLY COMPLETED



Please ensure the furniture rests on an even and flat surface. If the product wobbles or feels loose, double-check all bolts and/or screws are properly tightened and secured.



Keep this handy!

Please retain this instruction manual and any order-related information for future reference.



Lift, don't drag!

To avoid damage to product please always LIFT the product when transporting or adjusting the placement.