



**Furniture of America**<sup>®</sup>

E-Commerce by Enitial Lab

# ASSEMBLY INSTRUCTIONS

MODEL #

**CM7899CK**

Questions?

GIVE US CALL: 1-888-980-5122  
MON-FRI 8:30AM - 5:30PM (PST)

## TOOLS REQUIRED



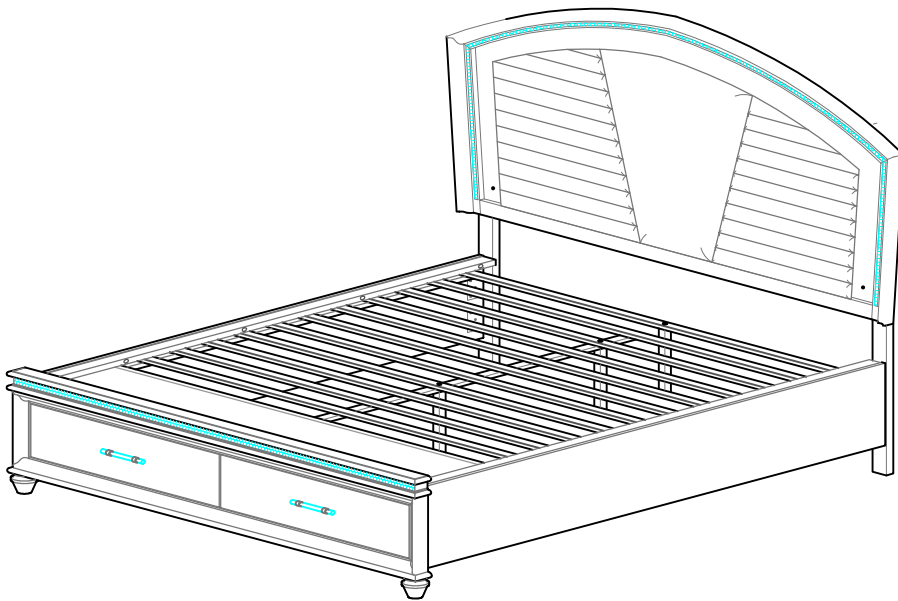
Allen Wrench

(Included)



Phillips  
Screwdriver

(Not Included)



3 - People  
Recommended

## ASSEMBLY RATING



EASY —————> DIFFICULT

The Assembly Rating is a 5-point system showing the level of effort needed to assemble a specific product.




FOA Intro

Thank you for your purchase!


We hope you enjoy this new addition to your home for many years to come.

Our commitment to providing quality products does not simply end when you purchase our product. We fully stand behind our products from start to finish. Our customer service department is available Monday – Friday 8:30 AM – 5:30 PM Pacific and can help with assembly questions as well as, if necessary, replacing damaged or missing parts. To help expedite our service, please have these assembly instructions readily available, along with your order receipt.


 **Consumer Hotline**  
Toll-Free 1-888-980-5122

 **WEBSITE**  
[www.foagroup.com](http://www.foagroup.com)

    foagroup

 **Monday to Friday**  
8:30AM- 5:30PM (PST)

 **E-MAIL**  
[cs.ec@foagroup.com](mailto:cs.ec@foagroup.com)

 FurnitureOfAmerica

---

## CHECK BEFORE STARTING

**Are you missing anything?**

Double-check all parts, hardware and accessories listed on Page 6 are accounted for.

**Should we send any replacements?**

Are there any irregularities or flaws in the parts? We can send replacements!

**Check out our Quick Tips!**

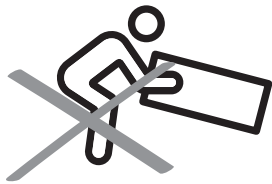
We recommend reviewing the pre-assembly handouts. Even experts need a refresher now and then!

**Prep Time!**

Please review the assembly instructions and all diagrams prior to assembling. Arrange parts as recommended on Page 7 and group identical hardware together to make assembling easier.

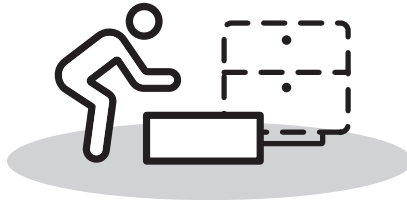
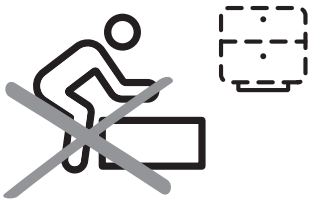
# PRE ASSEMBLY INTRODUCTION

We understand building ready-to-assemble furniture can be a challenging experience for some. To help avoid confusion, we have provided some helpful tips that may speed up the process.



## Teamwork

ALWAYS have at least two people to help with transporting and assembling the product to avoid potential injury and/or damage.



## Suitable Location

Assembling near the area of the intended location is highly recommended.



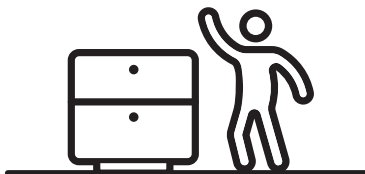
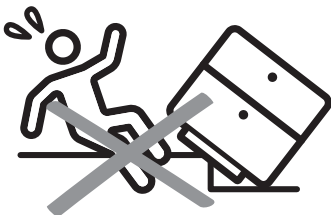
## Sufficient Space

Make sure you have enough space to move around during the assembly.



## Avoid Scratches

Use cardboard, blankets or a carpeted area while assembling furniture to prevent scratches.



## Flat Surface

Make sure the furniture rests on a flat and level surface with each leg evenly touching the floor.

# ASSEMBLY AND CARE ADVICE



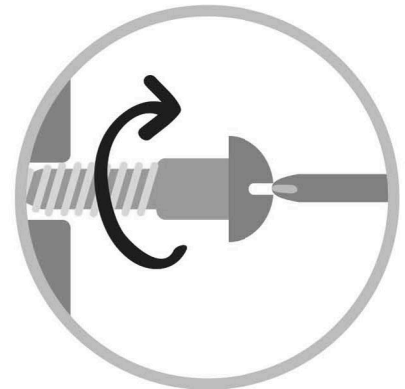
**FAILURE TO FOLLOW THE GUIDELINES BELOW MAY RESULT IN INJURY AND/OR PROPERTY DAMAGE.**



Position each part correctly and insert screws or bolts into their respective holes.



Use the appropriate hand tools or power tools for assembly. Select steps, such as tightening screws and/or bolts, may require hand tools to avoid causing damage during assembly.



Turn clockwise to tighten and only tighten when step is completed or when instructed to do so.



Save the instructions and store any supplied tools for later maintenance.



After two weeks, check and tighten any loose hardware and repeat again every six months thereafter.

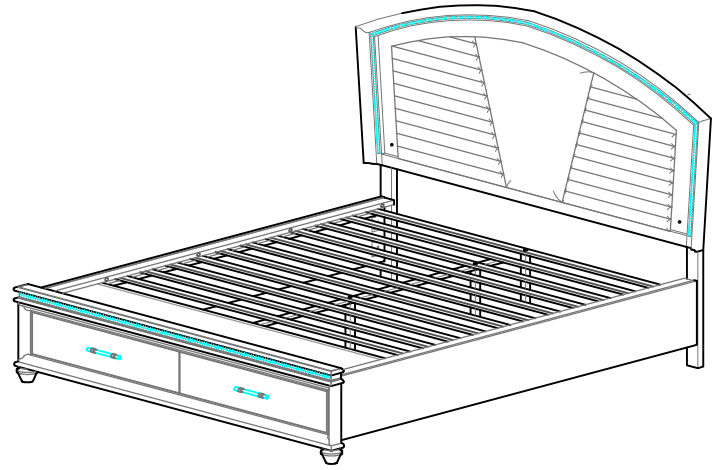
**IT IS THE USER'S RESPONSIBILITY TO MAINTAIN THE FURNITURE. THE HARDWARE MAY LOOSEN OVER TIME AND MAY CAUSE THE FURNITURE TO BE WOBBLY AND UNABLE TO SUPPORT ITS INTENDED WEIGHT CAPACITY. THIS MAY LEAD TO COLLAPSE AND MAY CAUSE SERIOUS INJURY.**

# CAL KING BED

CM7899CK



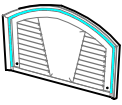
- Please keep instructions for future reference.
- Check the quantity and irregularity of parts and hardware before you start.



## PARTS

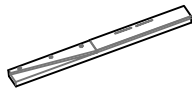
### PART LIST OF HEADBOARD

#1 1pc



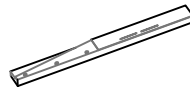
Headboard

#2 1pc



Headboard Leg - (R)

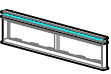
#3 1pc



Headboard Leg - (L)

### PART LIST OF FOOTBOARD

#4 1pc



Footboard

#5 2pcs



Acrylic Leg

#6 1pc



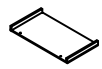
Drawer Support Rail

#7 2pcs



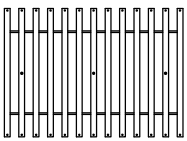
Drawer

#8 2pcs



Drawer Base Panel

#9 13pcs



Roll Slat

#10 3pcs



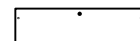
Slat Support Leg

#11 1pc







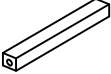
Drawer Support Leg

#12 1pc



Slat Cover Panel

## PART LIST OF SIDE RAIL










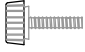
#13 2pcs	#14 1pc	#15 2pcs	#16 1pc	#17 1pc
				
Side Rail	Center Vertical Slat	Top Cap	Slat	Slat Support ( long)

## HARDWARE







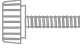
### HARDWARE PACK IN HEADBOARD

#A 1pc	#B 6pcs	#C 6pcs	#D 6pcs	#E 1pc
				
Allen Key	JCBC - M6 x 40mm	M6 Spring Washer	M6 Flat Washer	AC Adapter

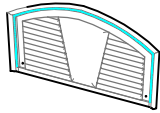


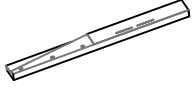




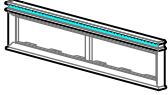







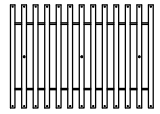


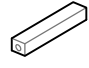

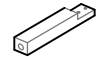

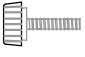
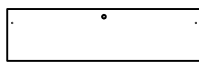
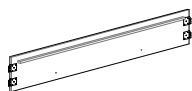


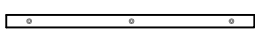






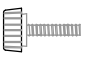
### HARDWARE PACK IN FOOTBOARD

#F 1pc	#G 2pcs	#H 9pcs	#I 3pcs	#J 14pcs
				
Allen Key	JCBC - M6 x 16mm	JCBC - M6 x 35mm	JCBC - M6 x 60mm	M6 Spring Washer
#K 7pcs	#L 4pcs	#M 26pcs	#N 2pcs	#O 4pcs
				
M6 Flat Washer	1/4" Flat Washer	Screw 32mm	Screw 16mm	Adjustable Leveller

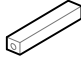
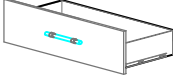
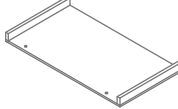
### HARDWARE PACK IN SIDE RAIL

#P 1pc	#Q 1pc	#R 10pcs	#S 11pcs	#T 10pcs
				
Allen Key	JCBC - M6 x 35mm	JCBC - M6 x 45mm	M6 Spring Washer	M6 Flat Washer
#U 2pcs	#V 1pc			
				
Screw 32mm	Adjustable Leveller			

## CM7899CK POINT 4 CARTONS

Carton	Designation		Part	Hardware
CM7899K-1	Headboard (1pc)	#1		 #A x 1pc  #B x 6pcs
	Headboard Leg - (R) (1pc)	#2		 #C x 6pcs  #D x 6pcs
	Headboard Leg - (L) (1pc)	#3		 #E x 1pc
CM7899K-2	Footboard (1pc)	#4		 #F x 1pc  #G x 2pcs
	Bun Foot	#5		 #H x 9pcs  #I x 3pcs
	Drawer Support Rail (1pc)	#6		 #J x 14pcs
	Roll Slat (13pcs)	#9		 #K x 7pcs  #L x 4pcs
	Slat Support Leg (3pcs)	#10		 #M x 26pcs
	Drawer Support Leg (1pc)	#11		 #N x 2pcs  #O x 4pcs
	Slat Cover Panel (1pc)	#12		
CM7899CK-3	Side Rail (2pcs)	#13		 #P x 1pc  #Q x 1pc
	Center Vertical Slat (1pc)	#14		 #R x 10pcs  #S x 11pcs
	Top Cap (2pc)	#15		 #T x 10pcs  #U x 2pcs
	Slat (1pc)	#16		 #Y x 1pcs

## CM7899CK POINT 4 CARTONS

Carton	Designation	Part		Hardware
CM7899CK-3	Slat Support Leg (1pc)	#17		
CM7899K-4	Drawer (2pcs)	#7		
	Drawer Base Panel (2pcs)	#8		



# ASSEMBLY INSTRUCTIONS

1

Part #1 x 1pc

Part #2 x 1pc

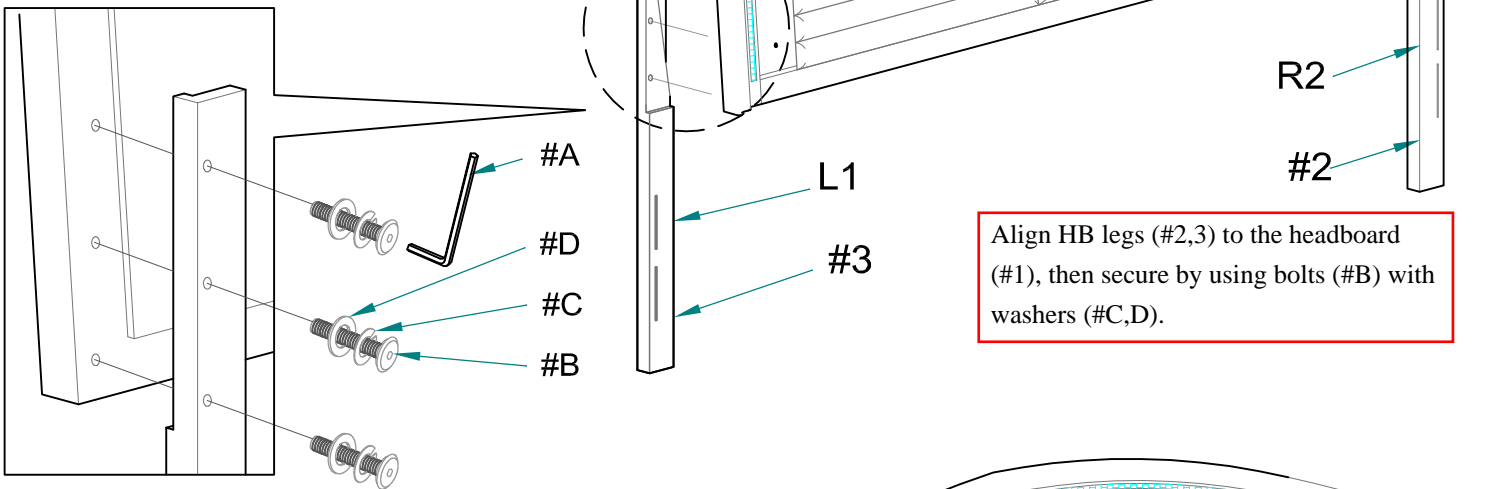
Part #3 x 1pc

Hardware #A x 1pc

Hardware #B x 6pcs

Hardware #C x 6pcs

Hardware #D x 6pcs

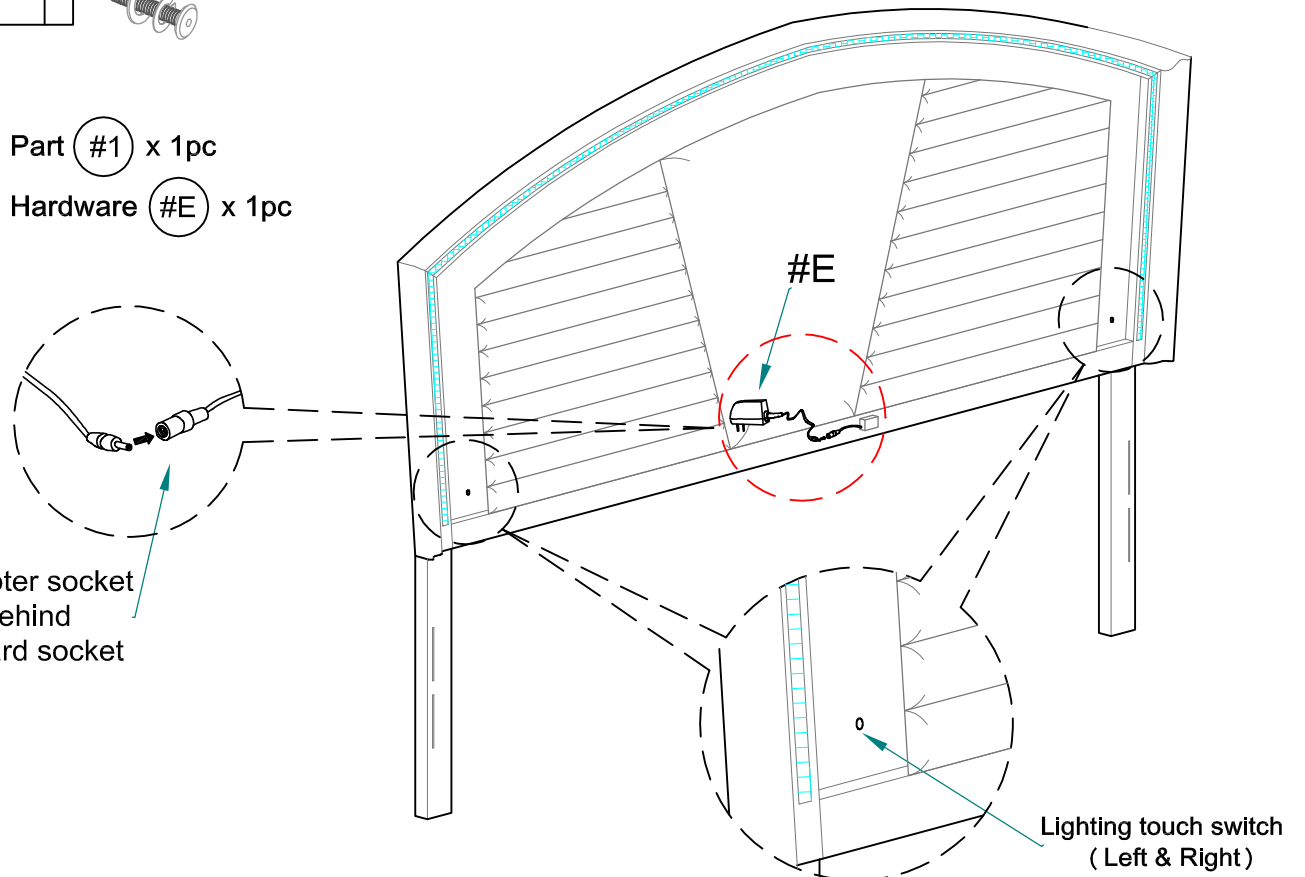


2

Part #1 x 1pc

Hardware #E x 1pc

Ensure adapter socket connect to behind the headboard socket



# ASSEMBLY INSTRUCTIONS

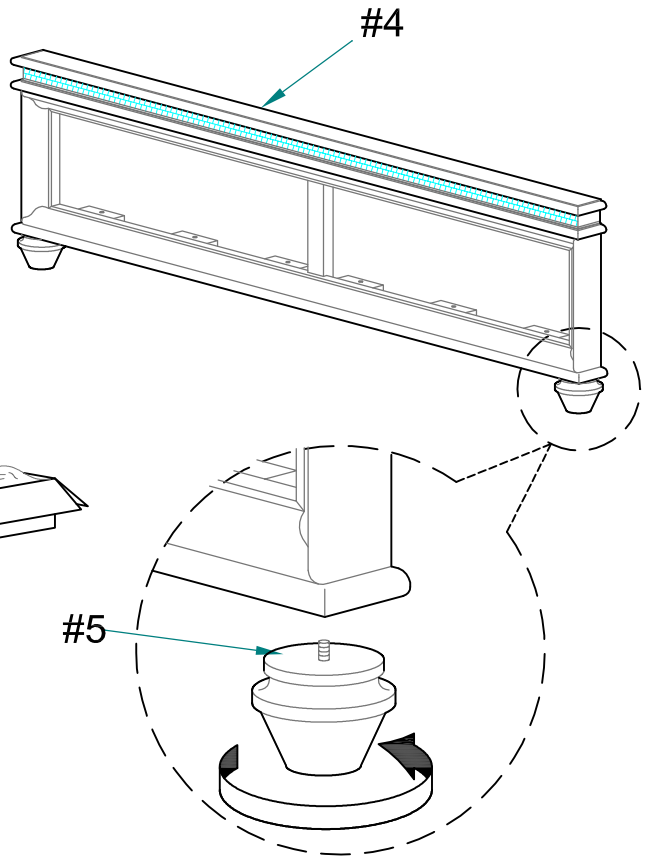
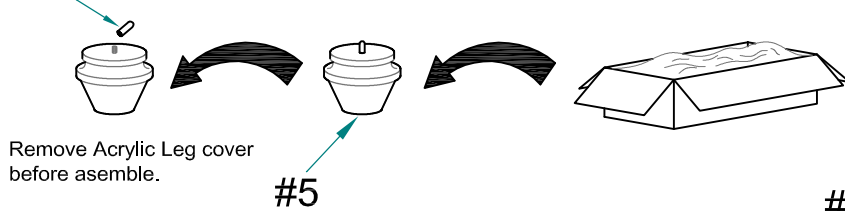
## 3

Part #4 x 1pc

Part #5 x 2pcs

Attach legs (#5) to the footboard (#4).

Bun Foot cover



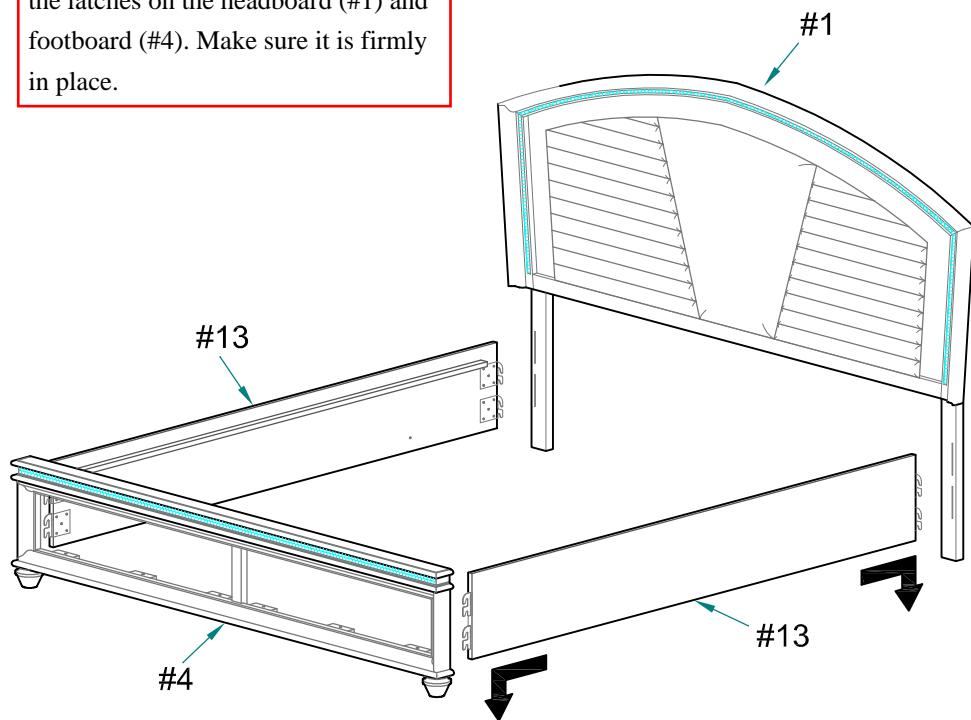
## 4

Part #1 x 1pc

Part #4 x 1pc

Part #13 x 2pcs

Align and hook the side rails (#13) to the latches on the headboard (#1) and footboard (#4). Make sure it is firmly in place.



# ASSEMBLY INSTRUCTIONS

## 5

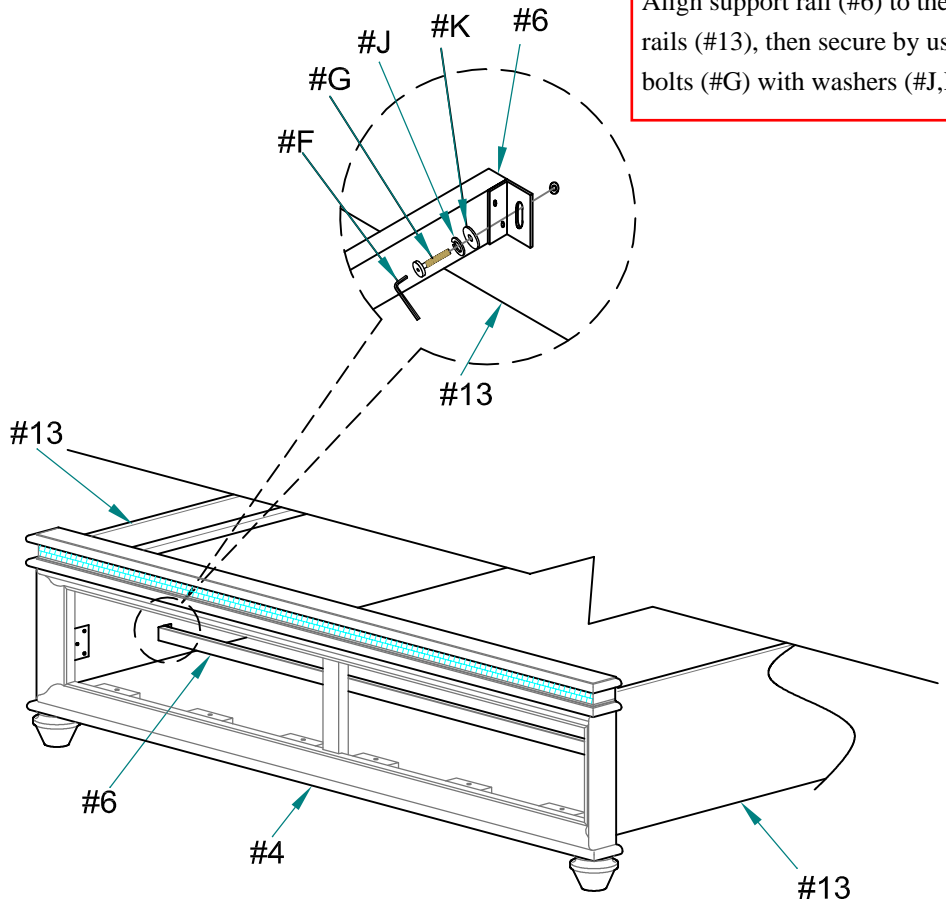
Part (#6) x 1pc

Hardware (#F) x 1pc

Hardware (#G) x 2pcs

Hardware (#J) x 2pcs

Hardware (#K) x 2pcs



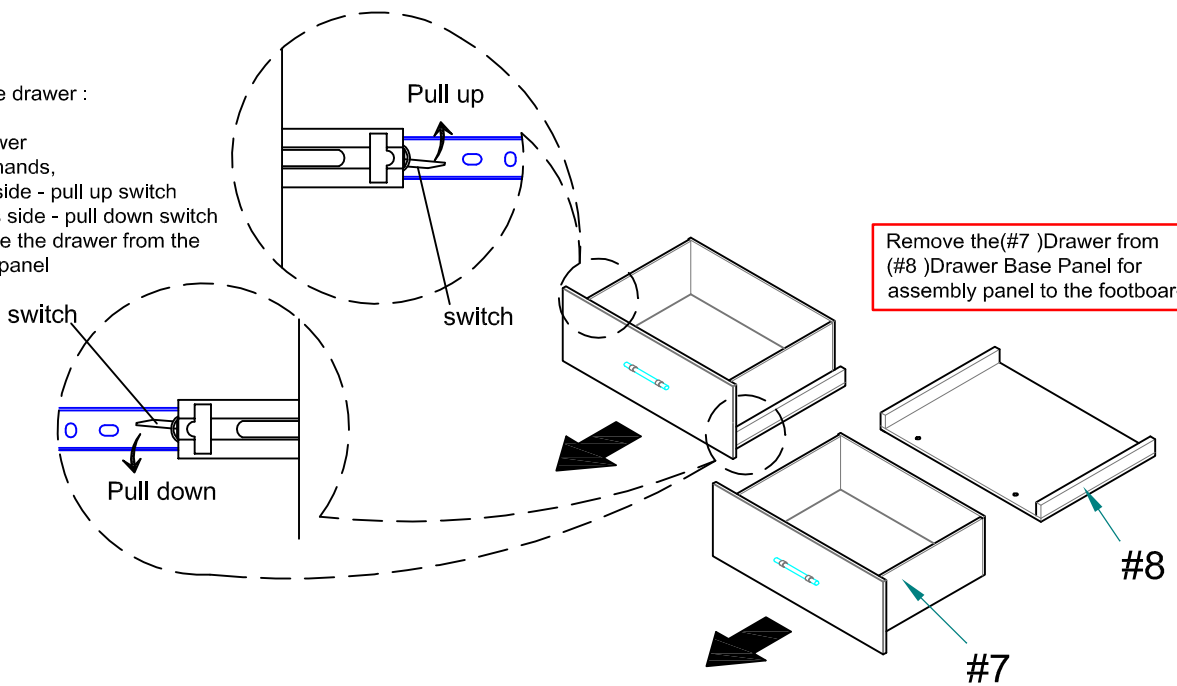
Align support rail (#6) to the side rails (#13), then secure by using bolts (#G) with washers (#J,K).

## 6

Make sure to fully extend rails to see the black switch on the rails.

Step to remove the drawer :

1. Pull the drawer
2. Using both hands,
  - Left hands side - pull up switch
  - Right hands side - pull down switch
3. Then remove the drawer from the drawer base panel



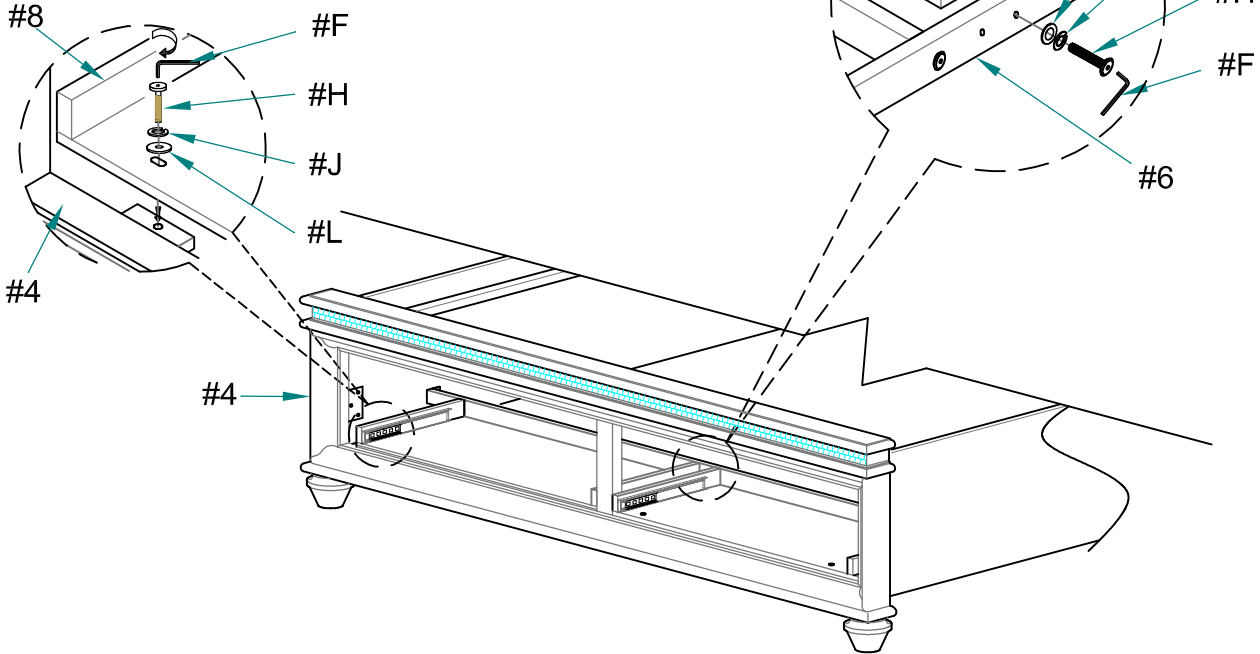
Remove the (#7) Drawer from (#8) Drawer Base Panel for assembly panel to the footboard.

# ASSEMBLY INSTRUCTIONS

7

- Part (#8) x 2pcs    Hardware (#F) x 1pc  
 Hardware (#H) x 8pcs  
 Hardware (#J) x 8pcs  
 Hardware (#K) x 4pcs  
 Hardware (#L) x 4pcs

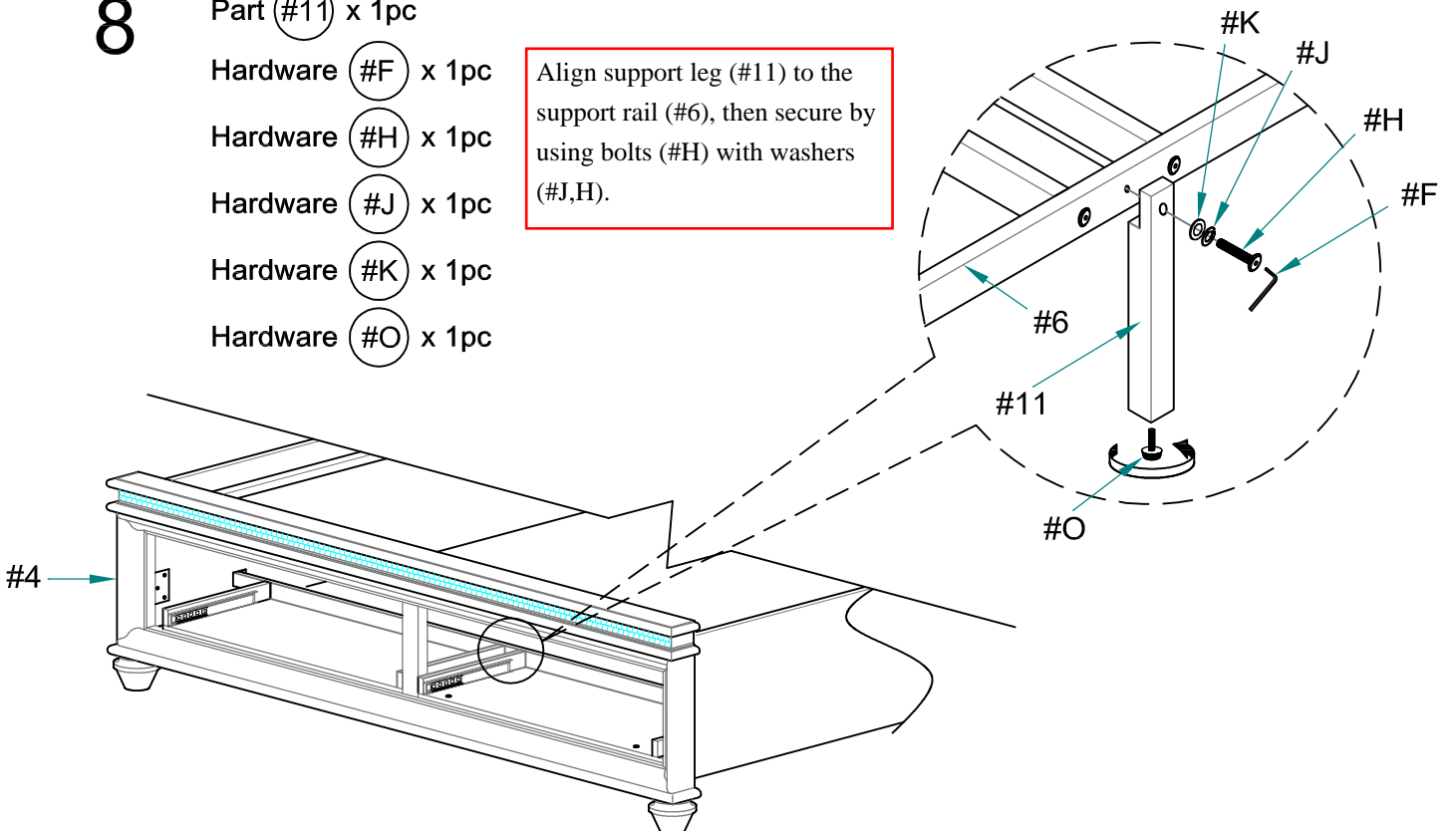
Align base (#8) to the footboard (#4), then secure by using bolts (#H) with washers (#J,K).



8

- Part (#11) x 1pc  
 Hardware (#F) x 1pc  
 Hardware (#H) x 1pc  
 Hardware (#J) x 1pc  
 Hardware (#K) x 1pc  
 Hardware (#O) x 1pc

Align support leg (#11) to the support rail (#6), then secure by using bolts (#H) with washers (#J,H).



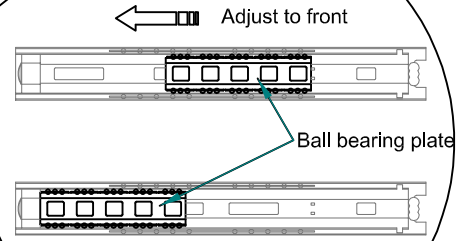
# ASSEMBLY INSTRUCTIONS

## 9

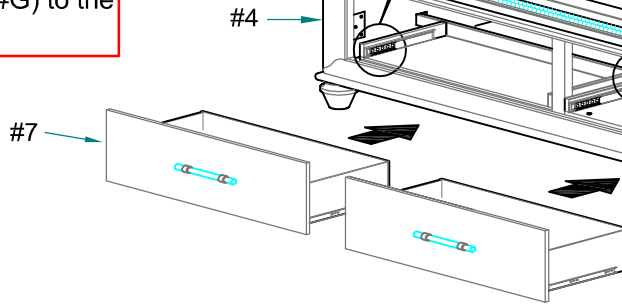
Step to install the drawer on the drawer base panel :

\*\*\*Prefer 2 person to install the drawer

1. Adjust the ball bearing plate to the front as a diagram shows.
2. Then attach the drawer to the drawer base panel and install with carefully.



Insert the drawer (#G) to the footboard (#D)



Align and connect the rails of the drawer base to the drawers.

## 10

Part (#9) x 13pcs Hardware (#F) x 1pc

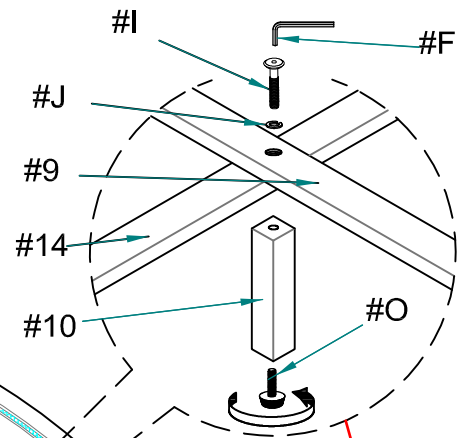
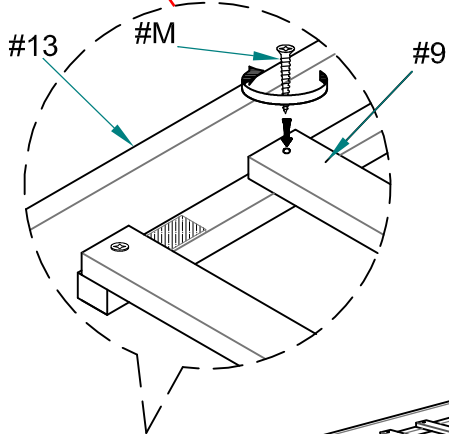
Part (#10) x 3pcs Hardware (#I) x 3pcs

Part (#14) x 1pc Hardware (#J) x 3pcs

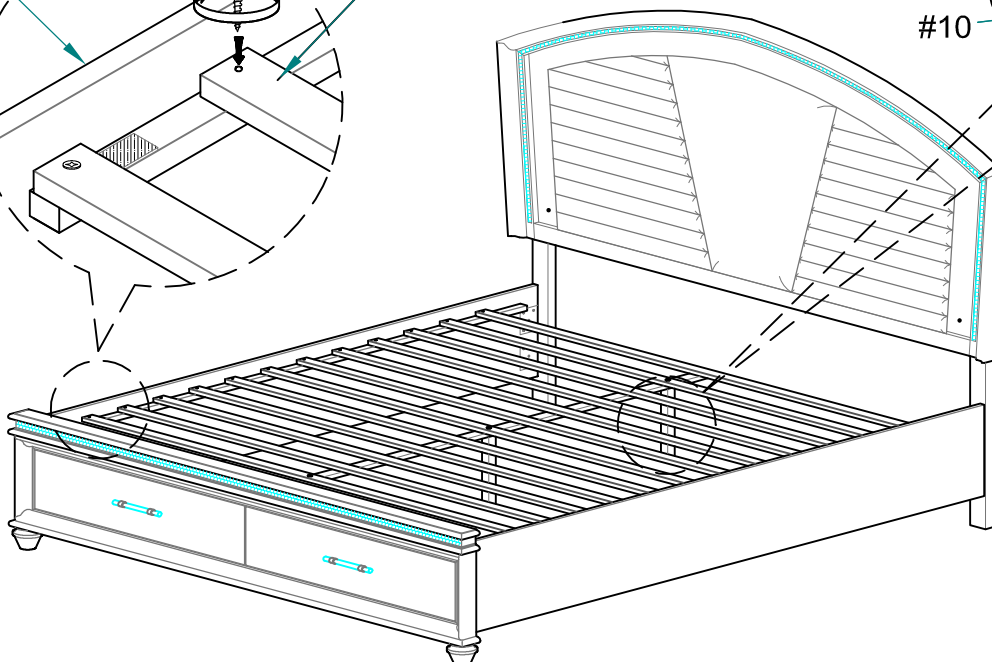
1) Align slats (#9) to the side rails (#13), then secure by using screws (#M).

Hardware (#M) x 26pcs

Hardware (#O) x 3pcs



2) Align center support slat (#14) to the slats (#9), then secure by using bolts (#I) with washers (#J) onto support legs (#10). Attach levelers (#O) to the support legs (#10).



# ASSEMBLY INSTRUCTIONS

## 11

Part **(#16)** x 1pc      Hardware **(#P)** x 1pc

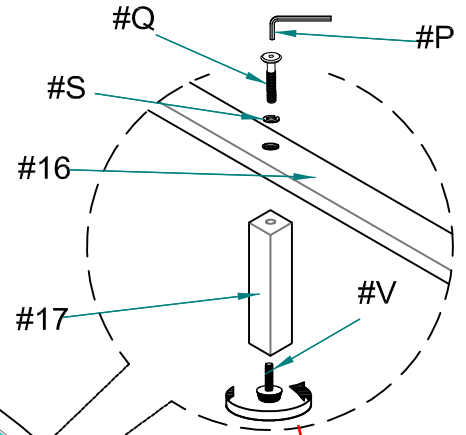
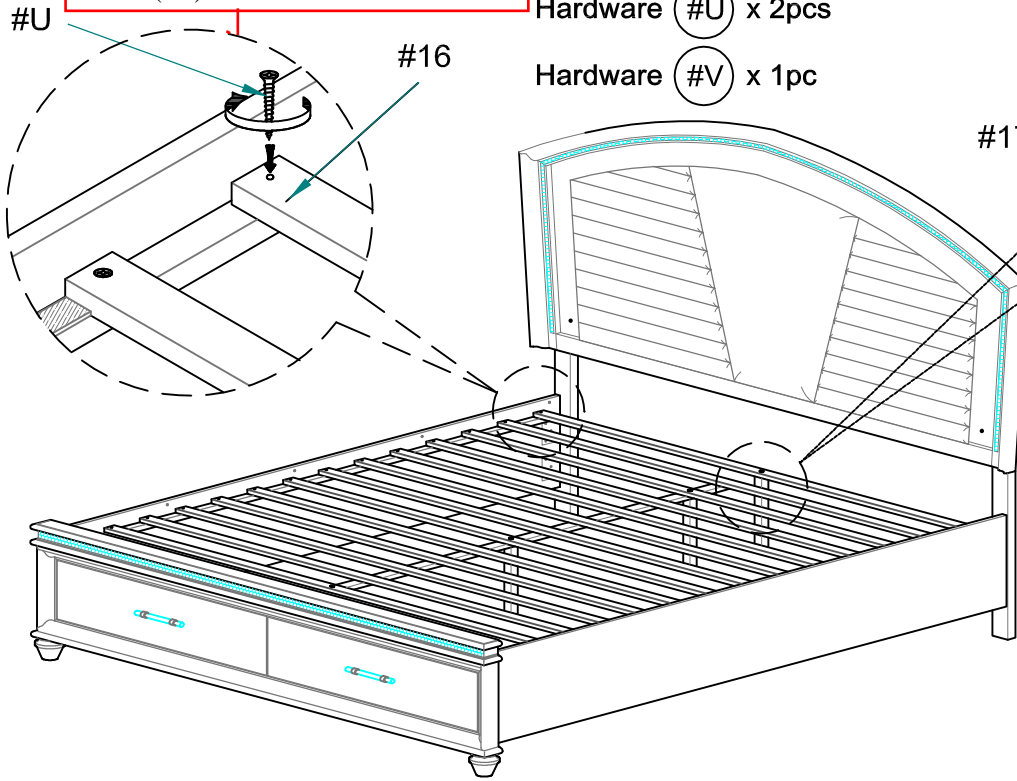
Part **(#17)** x 1pc      Hardware **(#Q)** x 1pc

Secure slat (**#16**) to the side rails by using screws (**#U**).

Hardware **(#S)** x 1pc

Hardware **(#U)** x 2pcs

Hardware **(#V)** x 1pc

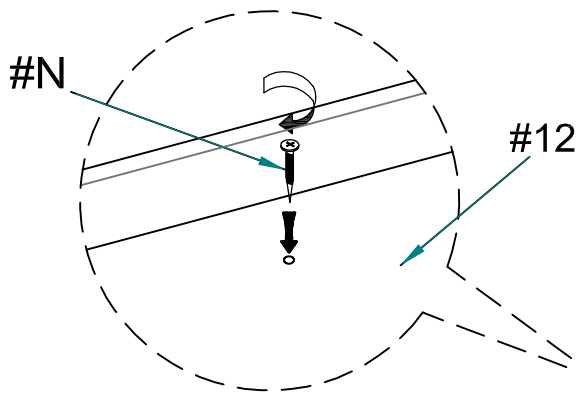


Secure support leg (**#17**) to slat (**#16**) by using bolts (**#Q**) with washer (**#S**) as shown in the diagram. Attach leveler (**#V**) onto support leg (**#17**).

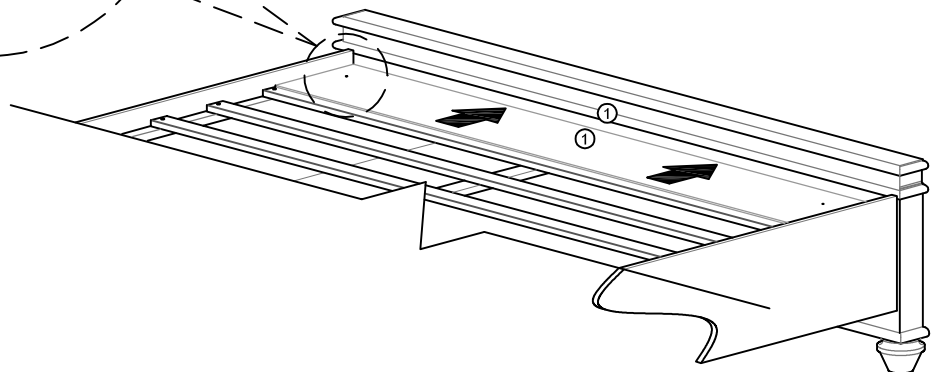
## 12

Part **(#12)** x 1pc

Hardware **(#N)** x 2pcs



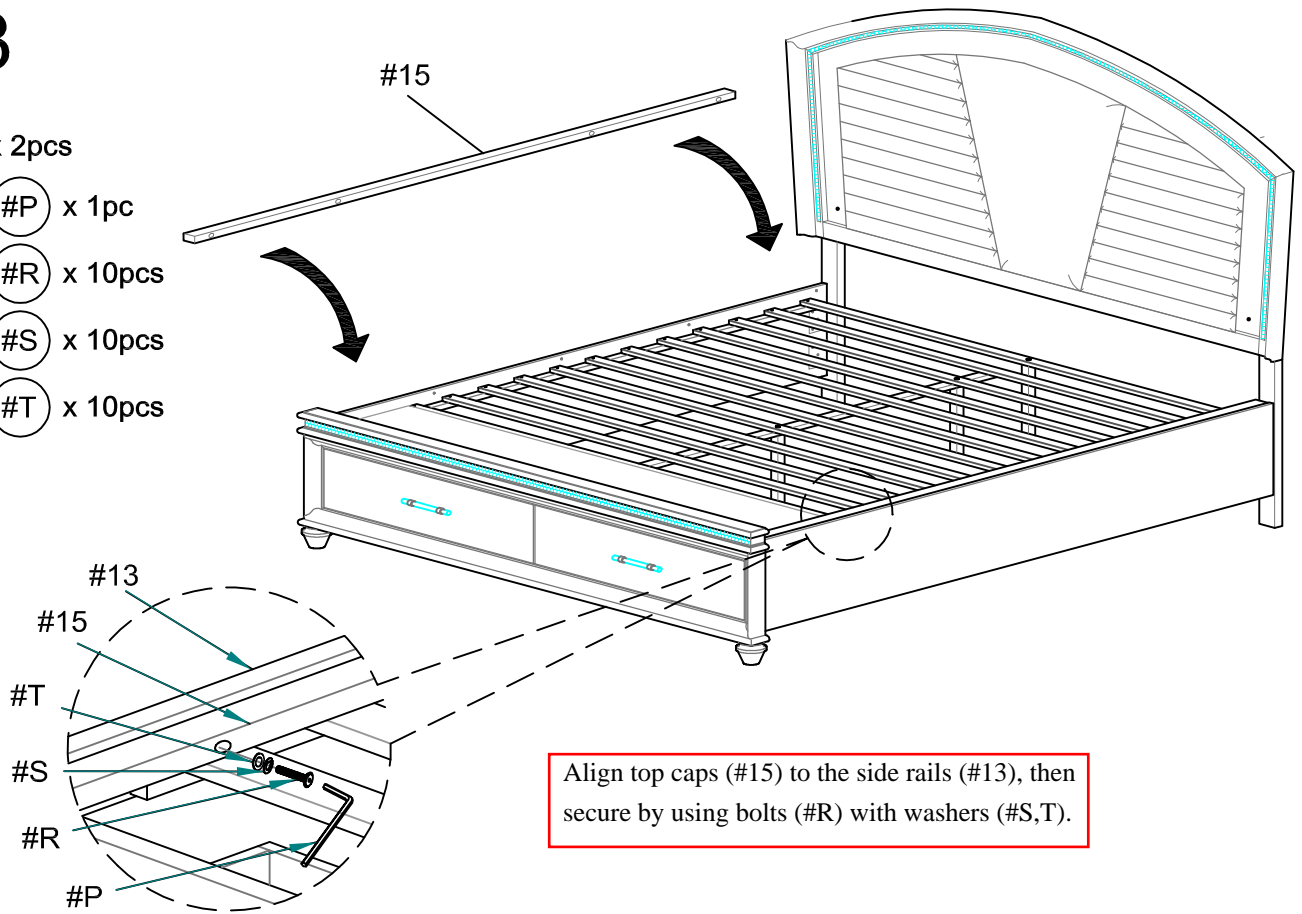
Align slat cover panel (**#12**) to the footboard end of the bed, then secure by using screws (**#N**).



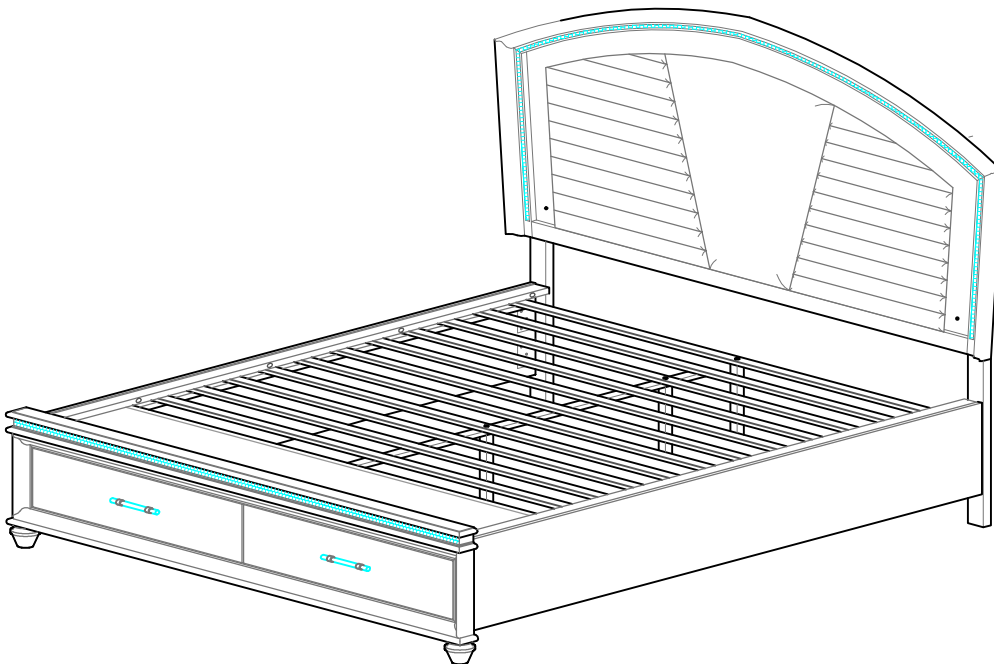
# ASSEMBLY INSTRUCTIONS

## 13

- Part #15 x 2pcs
- Hardware #P x 1pc
- Hardware #R x 10pcs
- Hardware #S x 10pcs
- Hardware #T x 10pcs



## 14



### ASSEMBLY COMPLETED



Please ensure the furniture rests on an even and flat surface. If the product wobbles or feels loose, double-check all bolts and/or screws are properly tightened and secured.



#### Keep this handy!

Please retain this instruction manual and any order-related information for future reference.



#### Lift, don't drag!

To avoid damage to product please always LIFT the product when transporting or adjusting the placement.