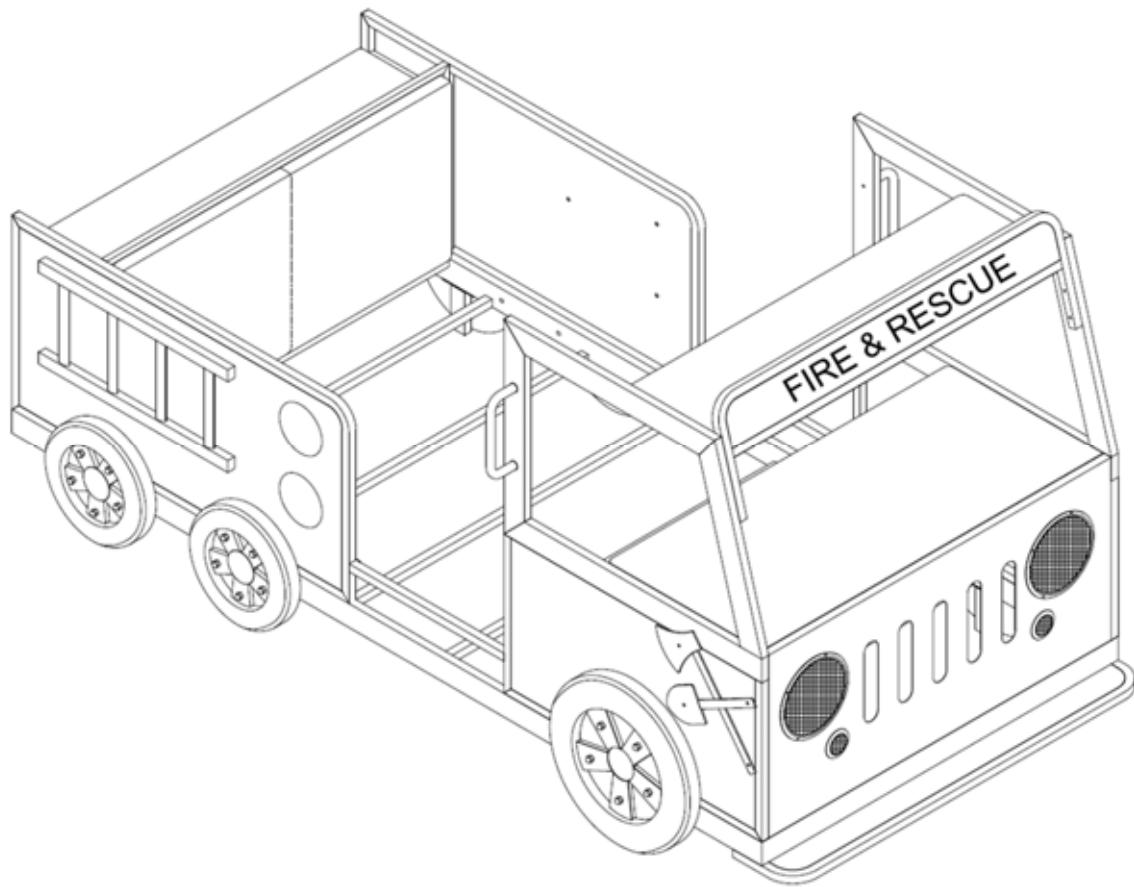


Assembly Instructions

CM7767



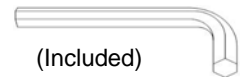
ASSEMBLY RATING

The Assembly Rating is a 5-point system that shows the degree of effort needed in assembling a specific product (with 1 being easy and 5 being difficult). For some products, two persons are recommended.

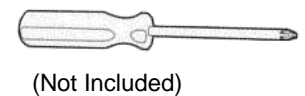
EASY  DIFFICULT

Tools Required for Assembly:

Allen Wrench



Phillips Screwdriver

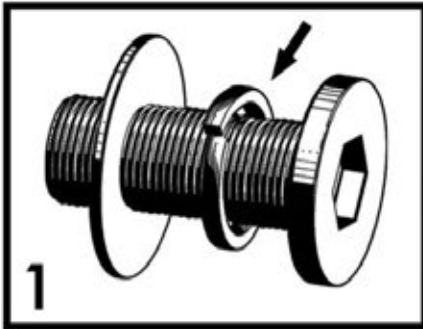


2 PERSONS RECOMMENDED

ASSEMBLY & CARE ADVICE

FOR YOUR FURNITURE TO LAST, CORRECT ASSEMBLY AND PROPER MAINTENANCE ARE NECESSARY. PLEASE FOLLOW THE INFORMATION PROVIDED BELOW TO FULLY ENJOY YOUR FURNITURE.

BASIC ASSEMBLY TECHNIQUES



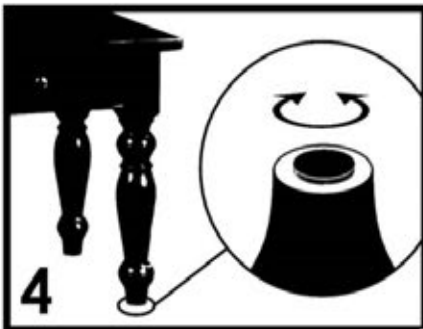
1
When lock or spring washer is used in an assembly, please make sure the lock or spring washer is placed between the larger flat washer and the head of the screw or bolt.



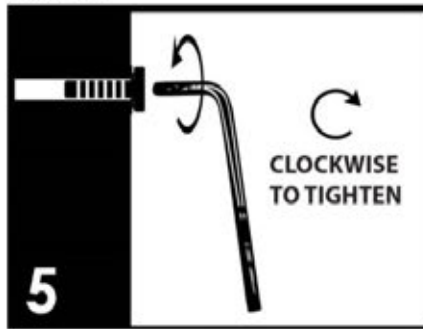
2
Position each part correctly and insert screws or bolts into their respective holes by hand tighten or using the proper hand tool. Only tighten when step is completed or when instructed to do so.



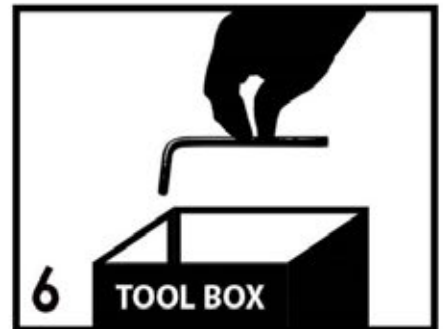
3
Use cardboard or carpet area when assembling furniture to prevent scratches. Make sure the furniture rests on a flat and level surface with each leg evenly touching the floor.



4
Some furniture comes with height adjustment knobs underneath each leg. To lower or to raise each leg, you need to turn clockwise or counterclockwise, respectively.



5
Make sure all parts are properly aligned, then use the appropriate hand tool to completely tighten the bolts or screws. Do not use power tools and do not overtighten.



6
Save the instructions and store the Allen wrench or any supplied tool for later maintenance. After two weeks, check and tighten any loose hardware and repeat again every six months thereafter.

IT IS THE USER'S RESPONSIBILITY TO MAINTAIN THE FURNITURE. THE HARDWARE MAY LOOSEN OVER TIME AND MAY CAUSE THE FURNITURE TO BE WOBBLY AND UNABLE TO SUPPORT ITS INTENDED WEIGHT CAPACITY. THIS MAY LEAD TO COLLAPSE AND MAY CAUSE SERIOUS INJURY.



FAILURE TO FOLLOW THE GUIDELINES ABOVE MAY RESULT IN INJURY AND/OR PROPERTY DAMAGE.

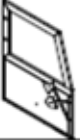

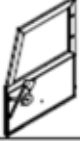







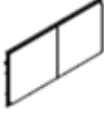











Before you begin, please read Page 2 of "Assembly and Care Advice".

And remember, do not tighten until each step is completed or instructed.

MD






Parts List






	#1 x 1pc Left Foot Panel		#11 x 1pc Upper Desk Support Frame
	#2 x 1pc Right Foot Panel		#12 x 1pc Lower Desk Board
	#3 x 1pc Left Head Panel		#13 x 1pc Upper Desk Board
	#4 x 1pc Right Head Panel		#14 x 1pc Bed Foundation
	#5 x 1pc Foot Board		#15 x 2pcs Connect Tube
	#6 x 1pc Headboard Cushion		#16 x 2pcs Handrail
	#7 x 1pc Headboard Cushion Frame		#17 x 4pcs Bottom Support Tube
	#8 x 1pc Footboard Upper Panel		#18 x 2pcs Foot Wheel
	#9 x 4pcs Front Horizontal Panel		#19 x 4pcs Head Wheel
	#10 x 1pc Lower Desk Support Frame		#20 x 1pc Headboard Cover

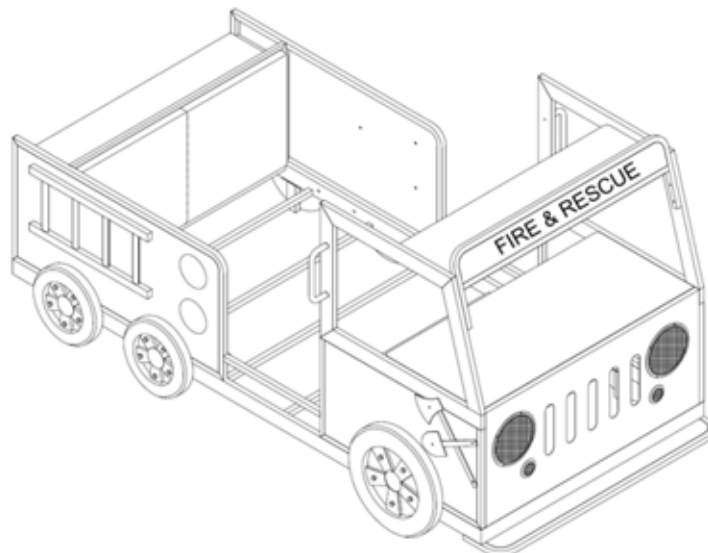


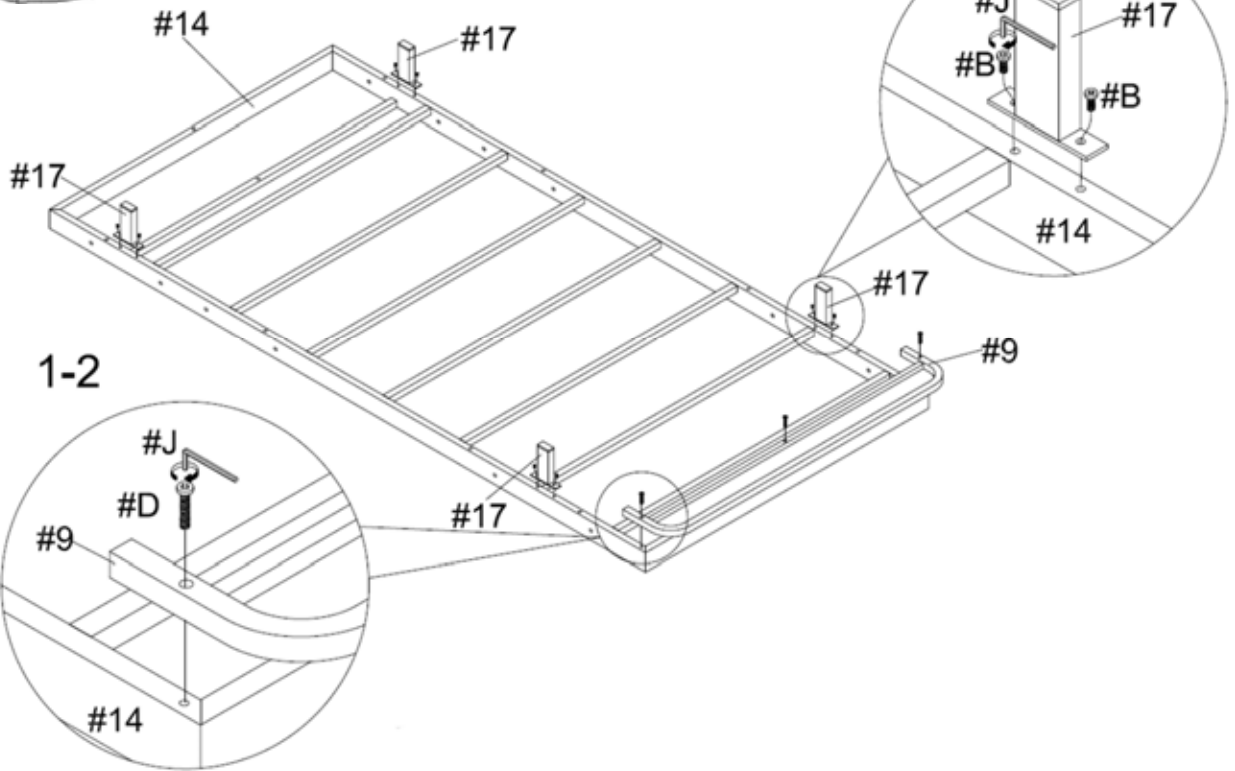
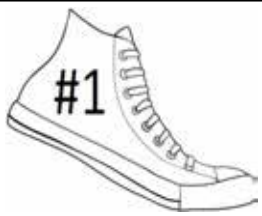
Due to the size and/or weight of this product, it is highly recommended that the assembly should be done near the area of its intended location. Make sure you have enough space to move around during the assembly. ALWAYS have at least two people to help with transporting and assembling the product to avoid any potential injury and/or damage.

Hardware List

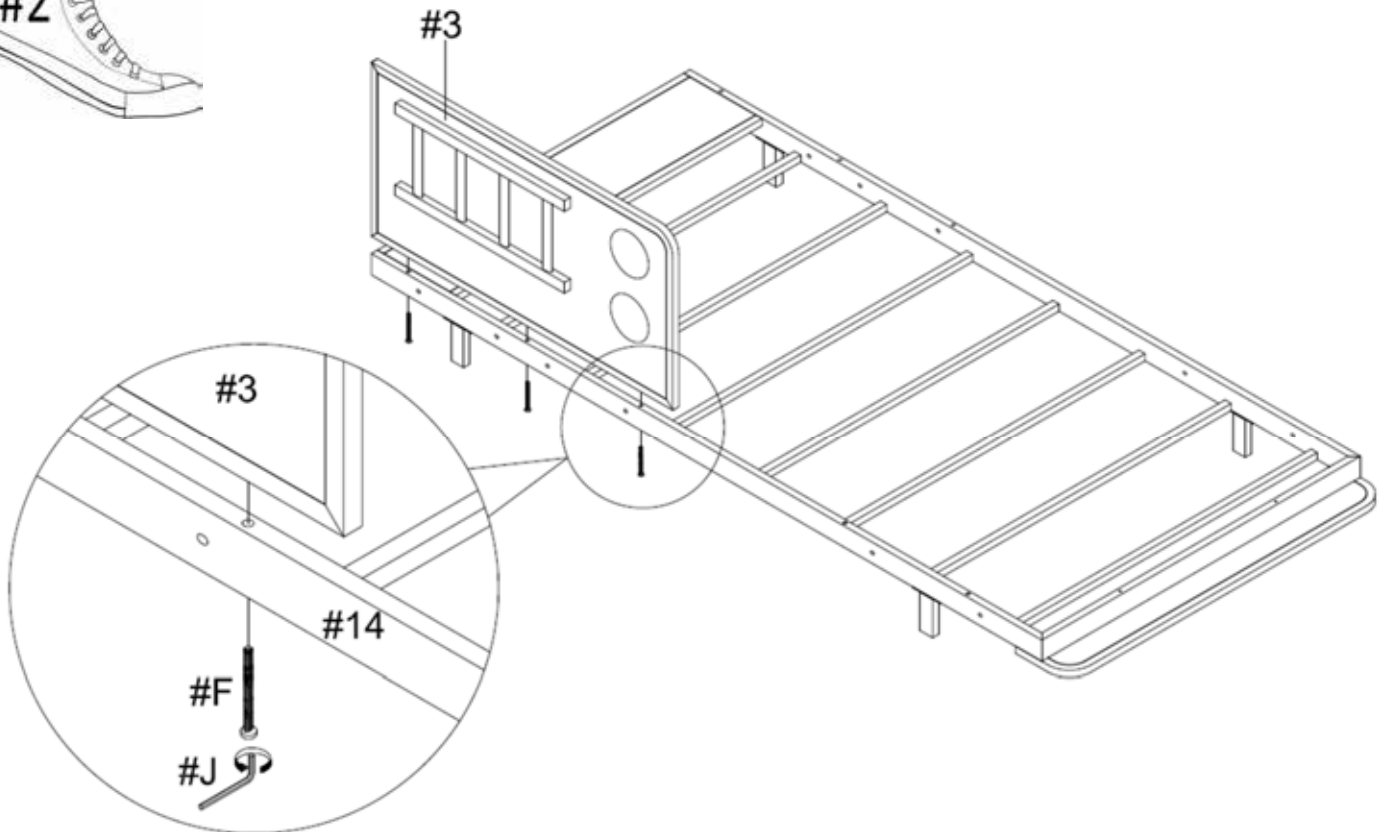
- 
#A x 6pcs
BOLT(M6X10)
- 
#B x 18pcs
BOLT(M6X15)
- 
#Cx 4pcs
BOLT(M6X20)
- 
#D x 12pcs
BOLT(M6X30)
- 
#E x 12pcs
BOLT(M6X35)

- 
#F x 11pcs
BOLT(M6X75)
- 
#G x 12pcs
Washer(Ø12XØ5)
- 
#Hx 6pcs
BOLT(M4X25)
- 
#I x 6pcs
BOLT(M4X30)
- 
#J x 1pc
Allen Wrench M4





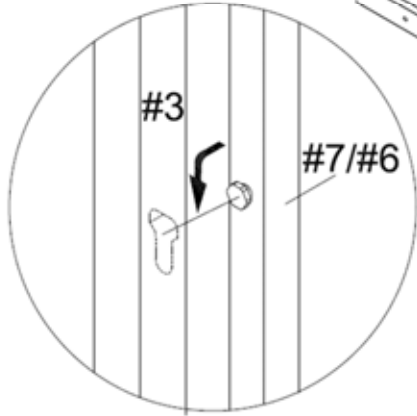
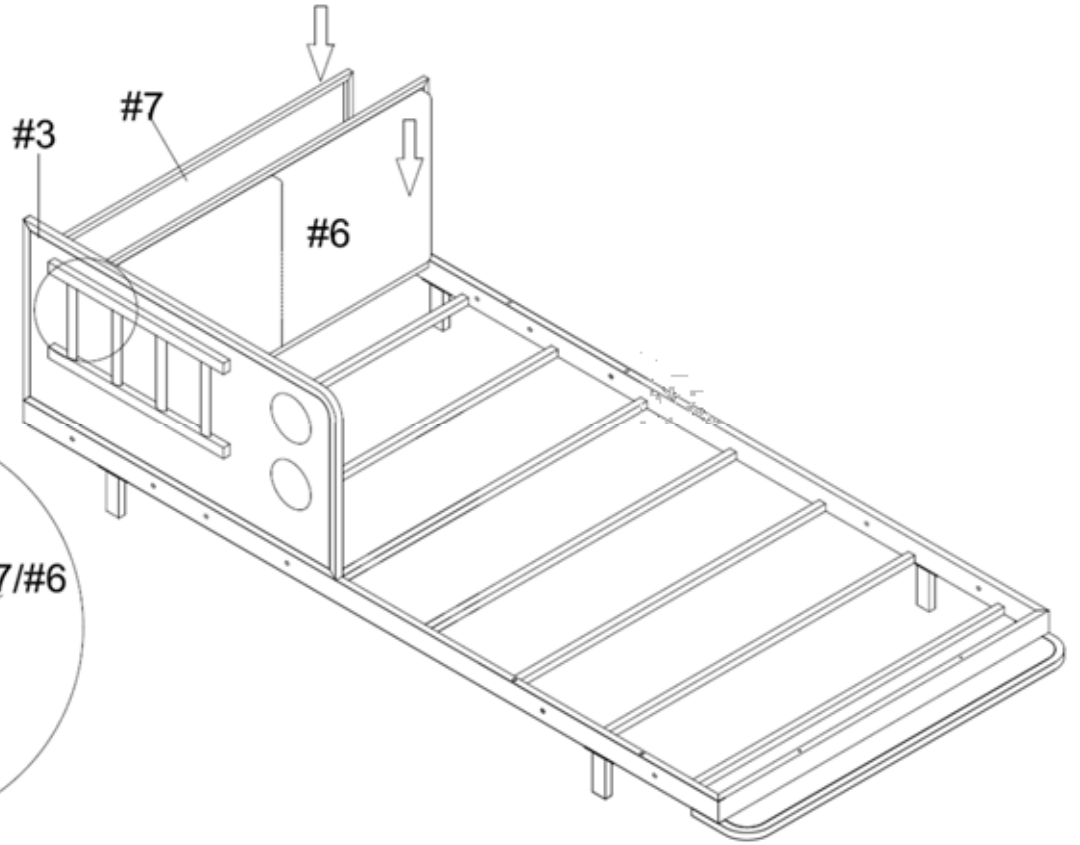
Turn right (clockwise) to tighten



Turn right (clockwise) to tighten



#3

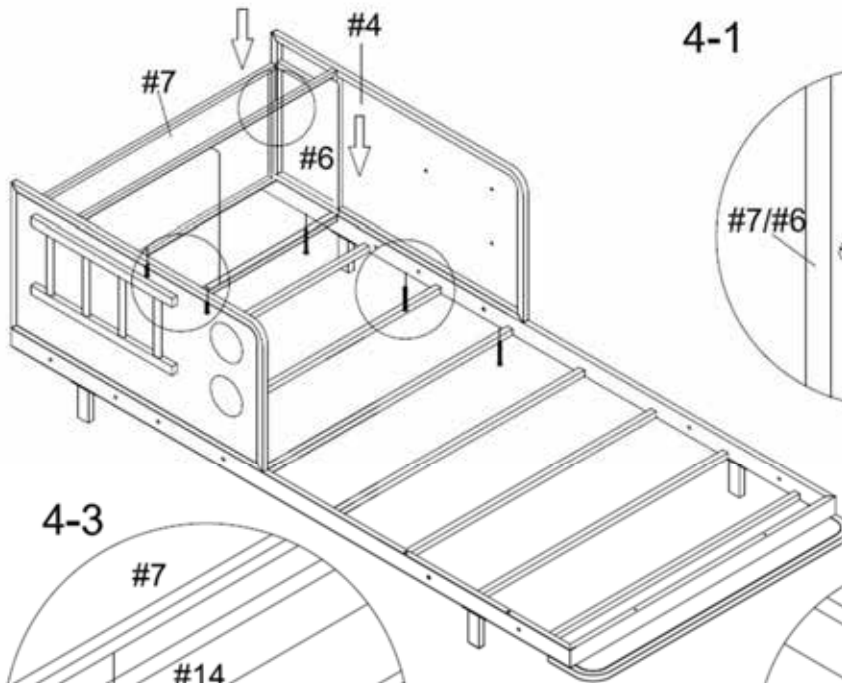


#3

#7/#6



#4



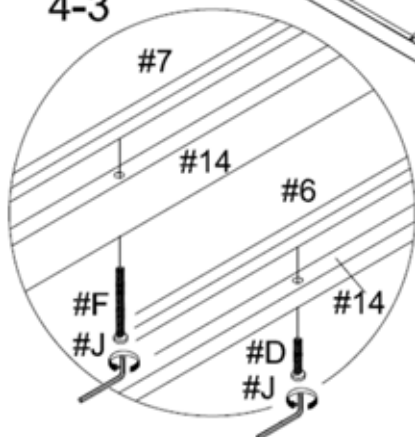
4-1



#7/#6

#4

4-3



#7

#14

#6

#F

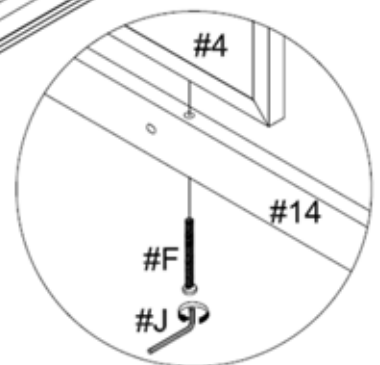
#J

#D

#J

Turn right (clockwise) to tighten

4-2

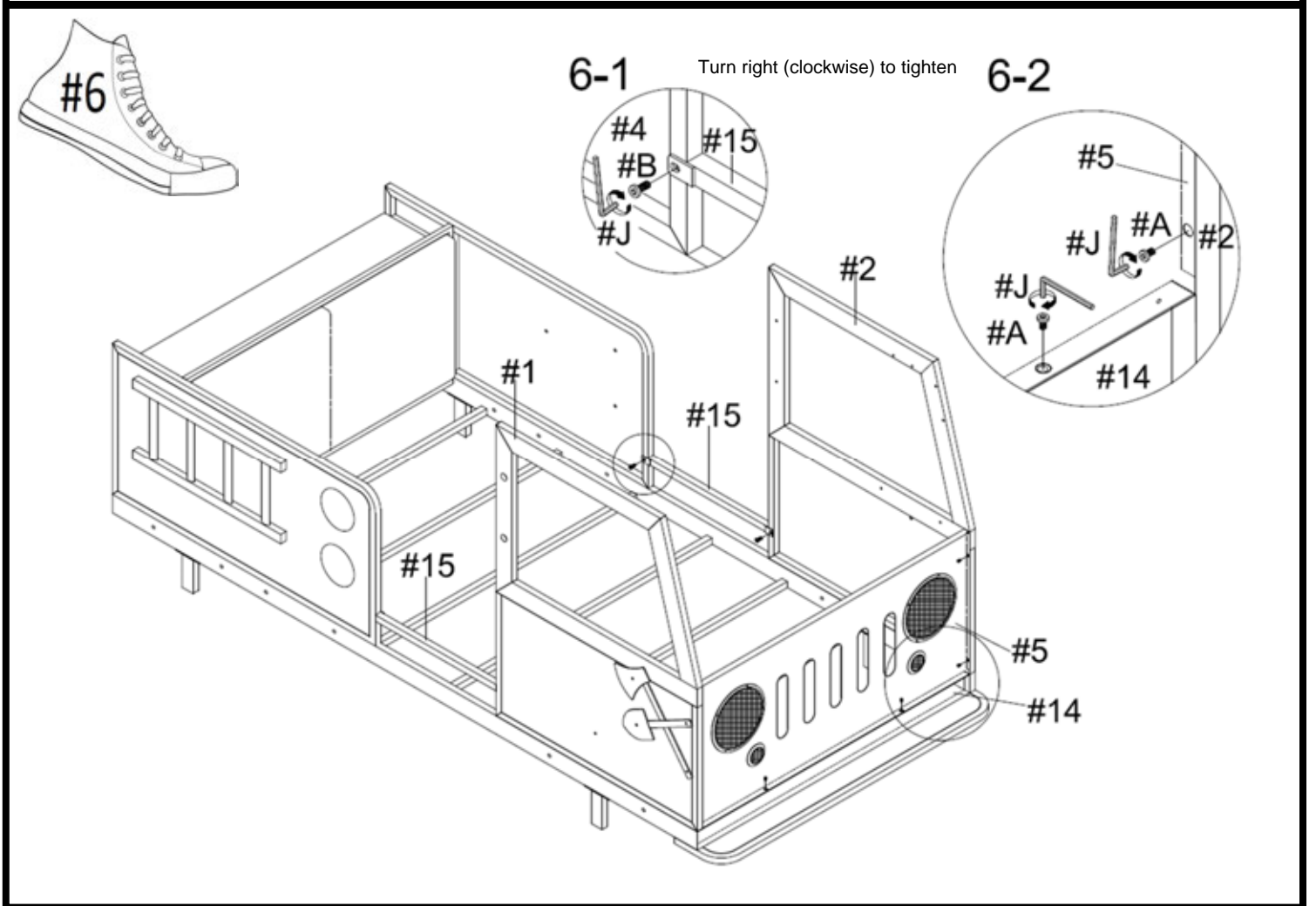
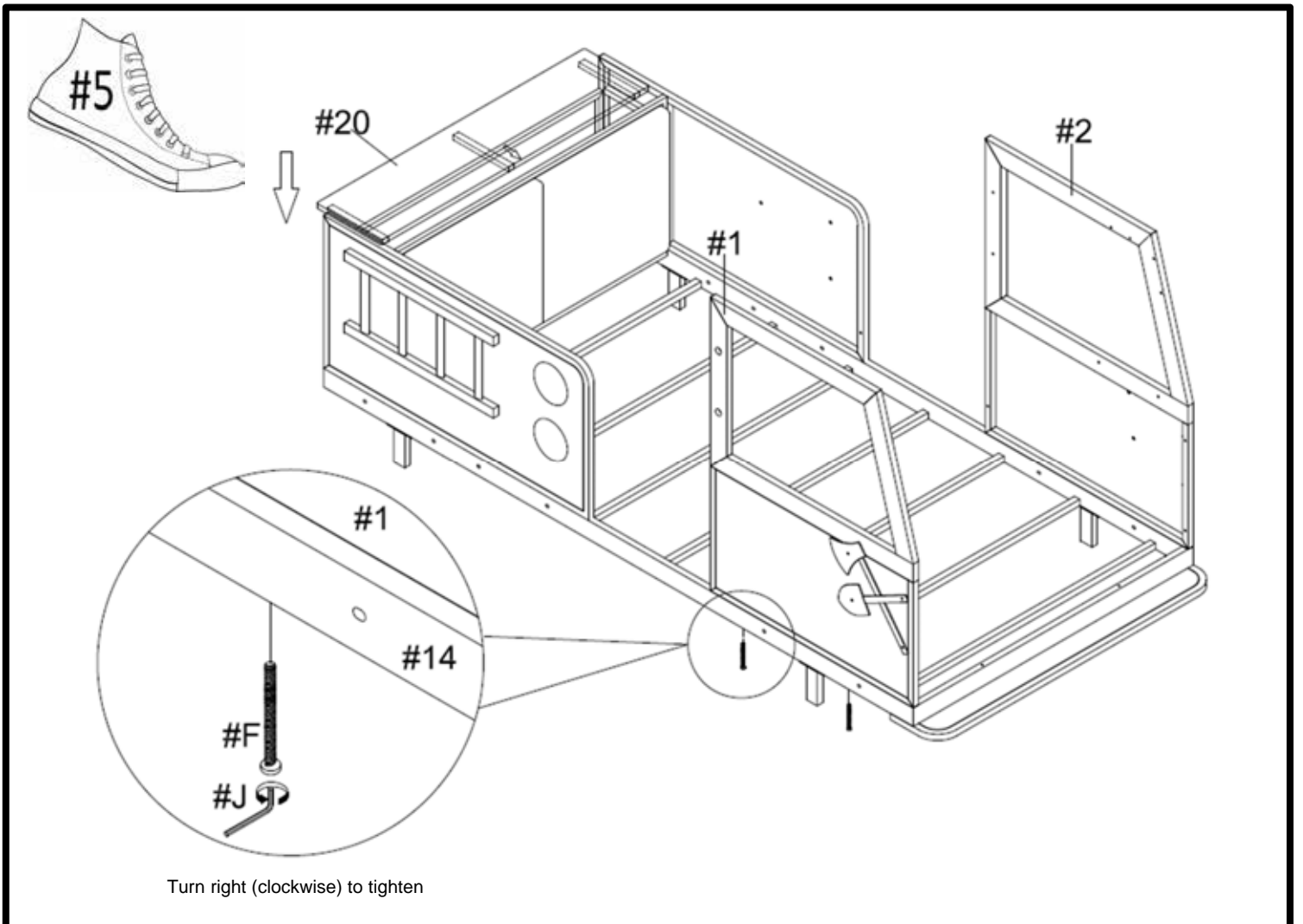


#4

#14

#F

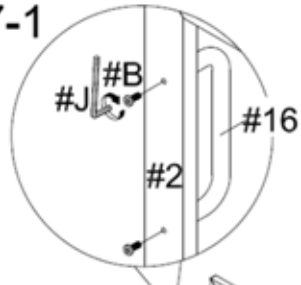
#J



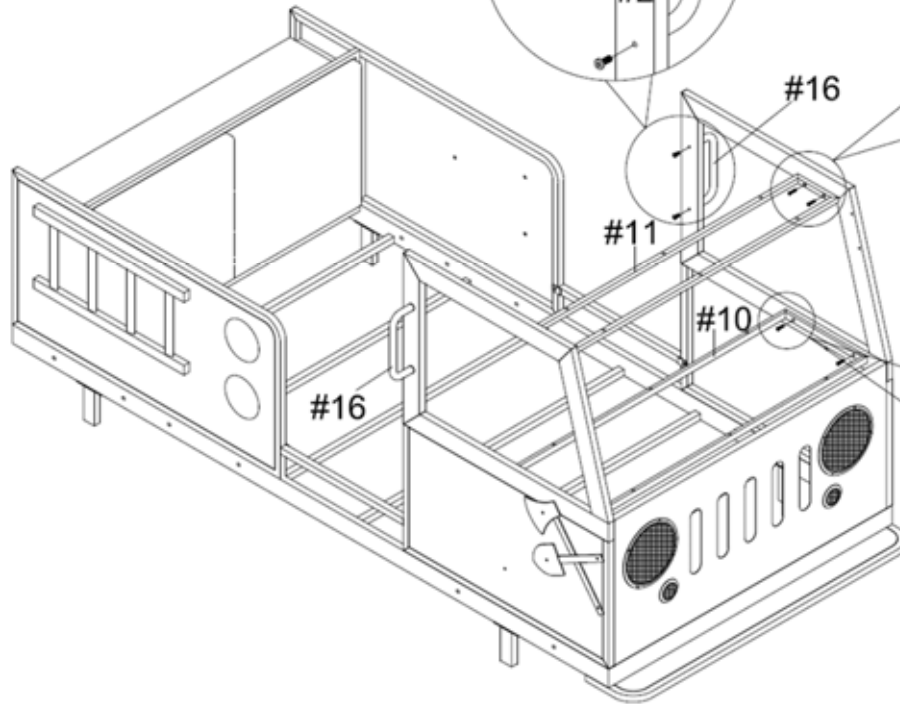
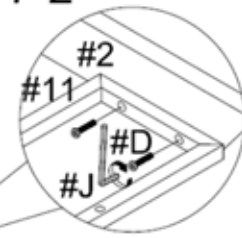


#7

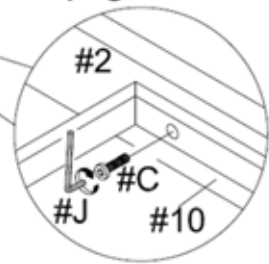
7-1



7-2

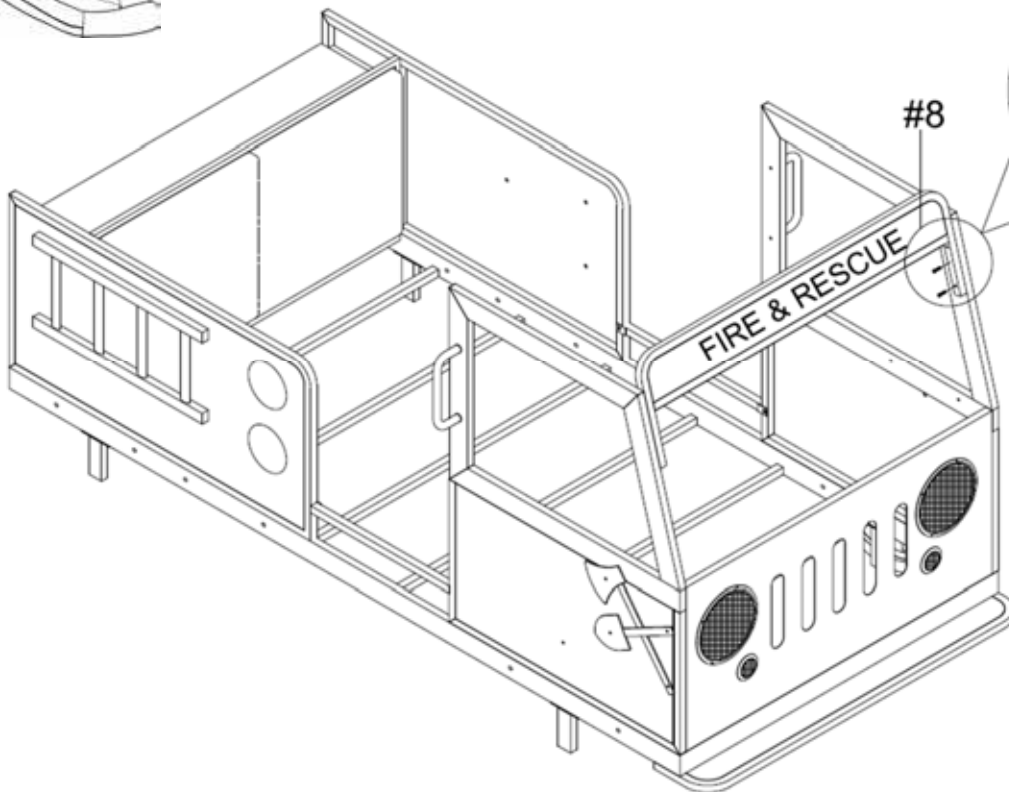
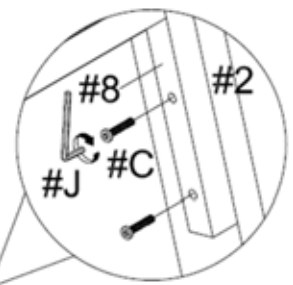


7-3



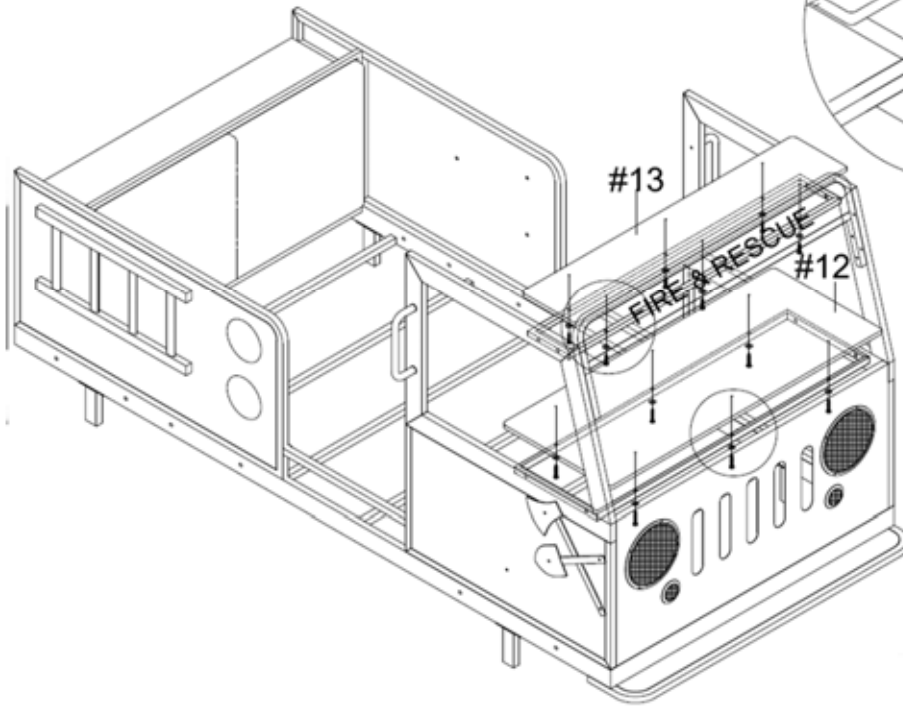
#8

Turn right (clockwise) to tighten





#9



9-1

#13

#11

#G

#H

9-2

#12

#G

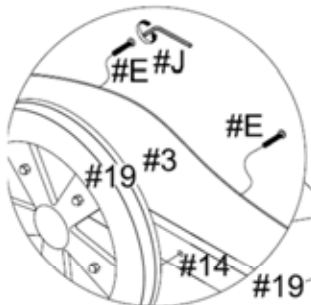
#10

#I

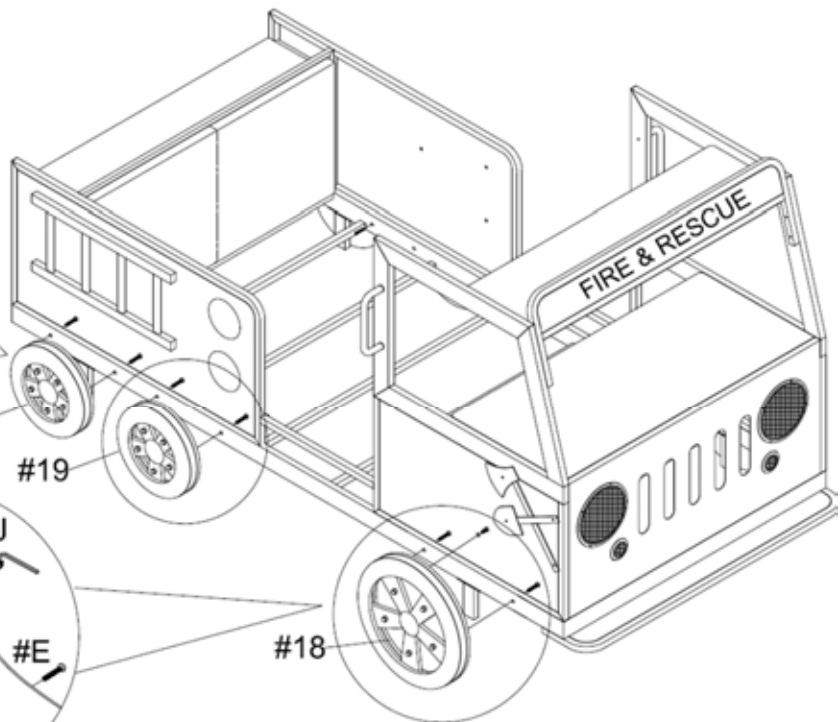
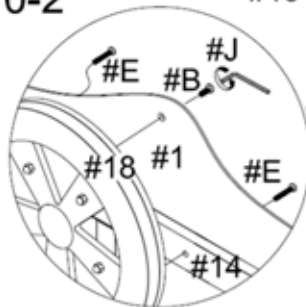


#10

10-1

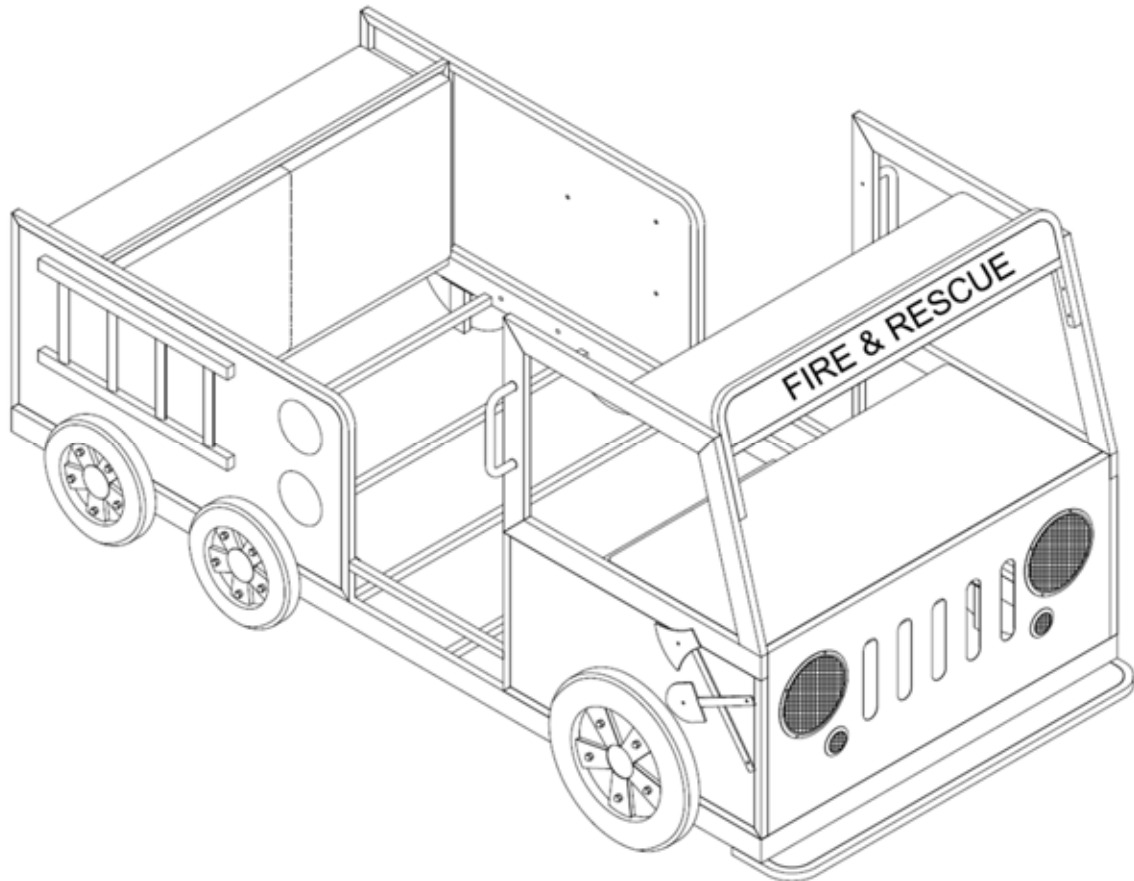


10-2





Safety is ALWAYS the main priority. For extra safety measure and before using the bed, please take the time to inspect the assembly again and make sure that ALL bolts and screws are FULLY tighten.



ASSEMBLY IS COMPLETED