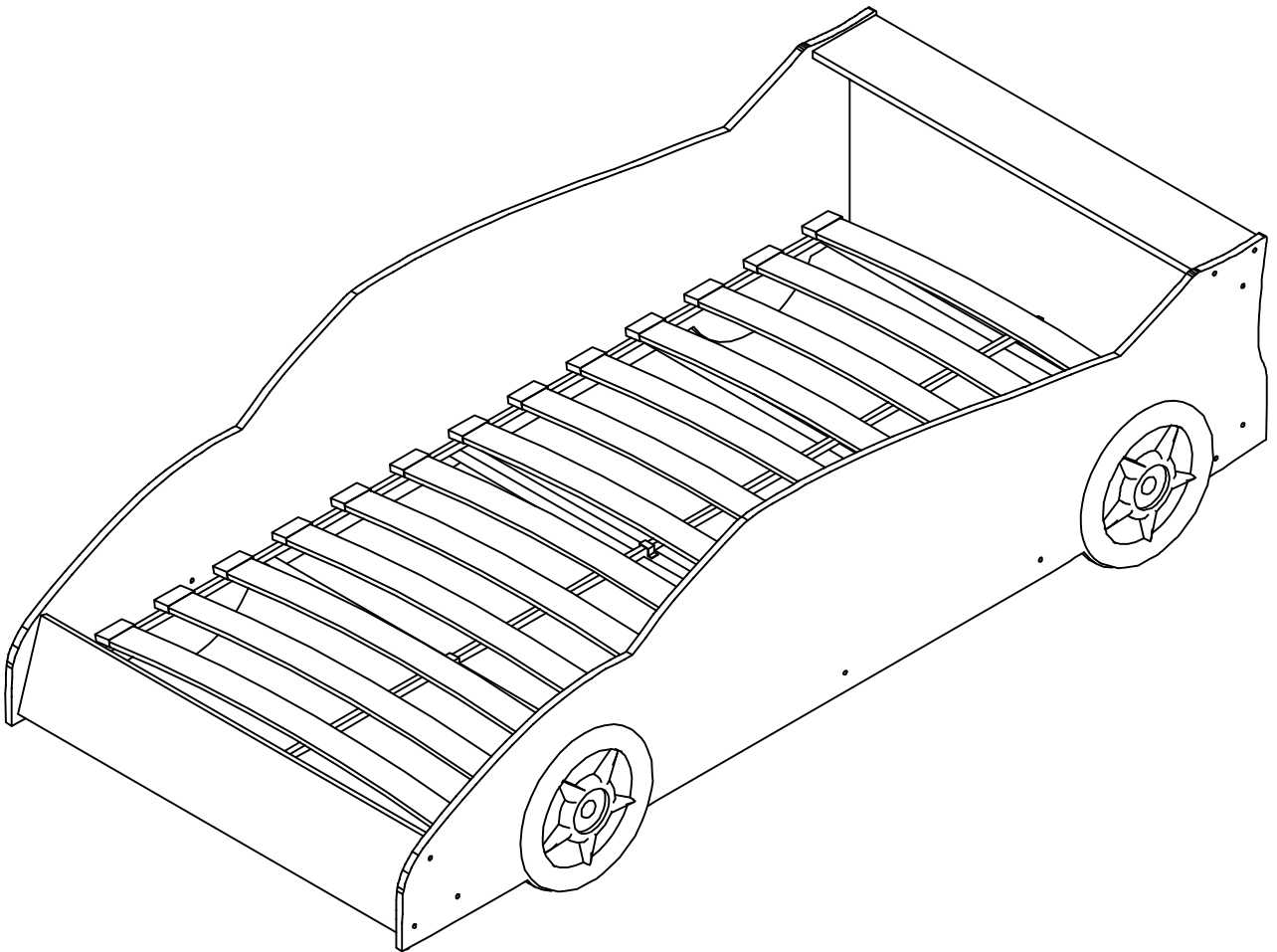
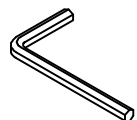
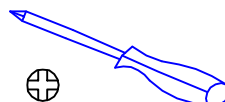
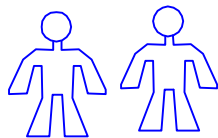


# MODEL : CM7643BL



ASSEMBLE DIFFICULTY

1 ② 3 4 5




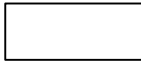


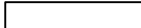

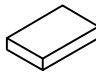



- User Age: 36 Months Or Above.
- Standard Of Paint: EN1725:1998  
EN1022:2005  
EN71-1:2014  
EN71-3:2013+A1:2014

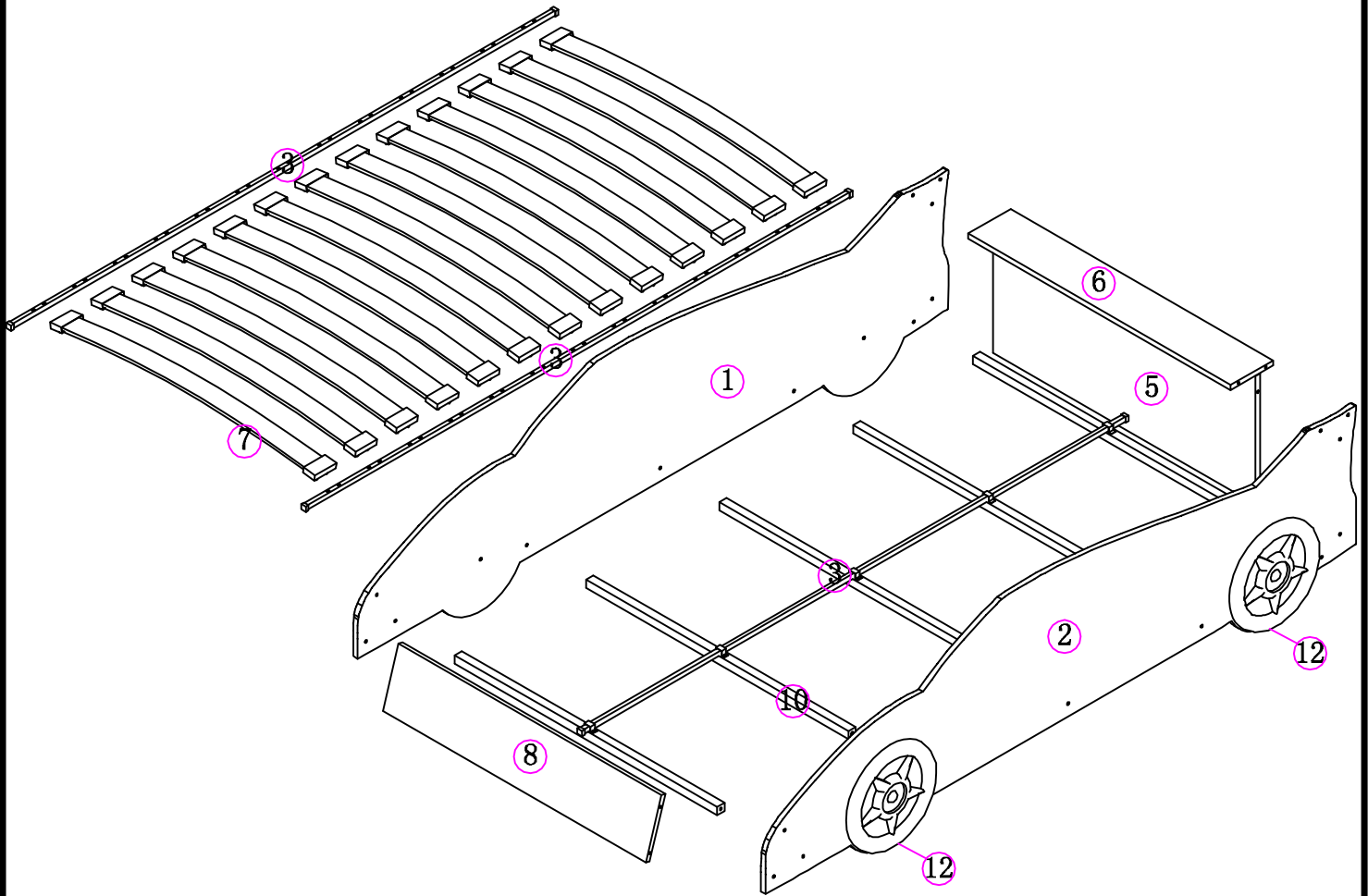
IMPORTANT, RETAIN FOR FUTURE REFERENCE: READ CAREFULLY



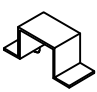
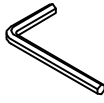
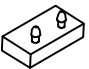





- Information regarding maintenance  
Use dry, clean & soft cloth rub on the surface regularly; must not use any wet cloth, hardware or any hard material (such as keys, knife, sand-paper) rub on the surface. Keep away from water and any chemical substances.
- Conditions for use of the product domestic
- Installation only to be carried out by a competent person
- Article consists swallowable small parts, children  $\leq 3$  years should not be without parental guidance (surveillance or monitoring)
- Screw lock must be inserted before joining
- For the safety reason all of the hardware must be screwed tidely.
- This Product must be assembled by adult
- To avoid surface damage, tight all serew must not use over 5Nm power.
- Use only mattress which is 74"-75" long, 37.5"-38.5" wide and 4"-6" height.

## DESCRIPTION OF COMPONENT

ITEM NO	WORK PIECE DESCRIPTION	MEASUREMENT	QTY	COLOUR	SHAPE	PACK IN BOX
(1)	SIDE PANEL (L)	2090*550*15	1	BLUE		1/2
(2)	SIDE PANEL (R)	2090*550*15	1	BLUE		1/2
(3)	U-SHAPED IRON	1910*15*15	3	SILVER		1/2
(5)	BACK BOARD	1000*380*15	1	BLUE		2/2
(6)	MIDDLE SUPPORT	1000*150*15	1	BLUE		2/2
(7)	PLYWOOD SLAT	995*62*12	13	WHITE		2/2
(8)	FRONT BOARD	1000*186*15	1	BLUE		2/2
(10)	SUPPORT POLE	1000*25*25	5	WHITE		2/2
(11)	HARDWARE	216*114*57	1	-		2/2
(12)	TYRE	φ 298*18	4	BLACK		2/2

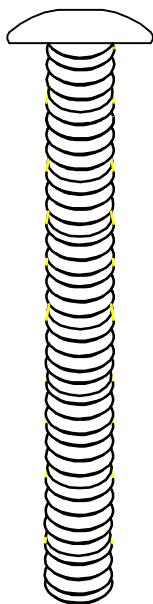
MODEL : CM7643BL (1000\*1920)



A	B	C	D	E	F	G	H	I	J
									
M6*50					M6*30				
QTY:22	QTY:12	QTY:5	QTY:1	QTY:26	QTY:4	QTY:4	QTY:22	QTY:2	QTY:2

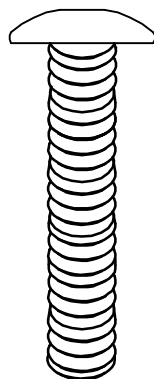
# SCALE 1:1

A



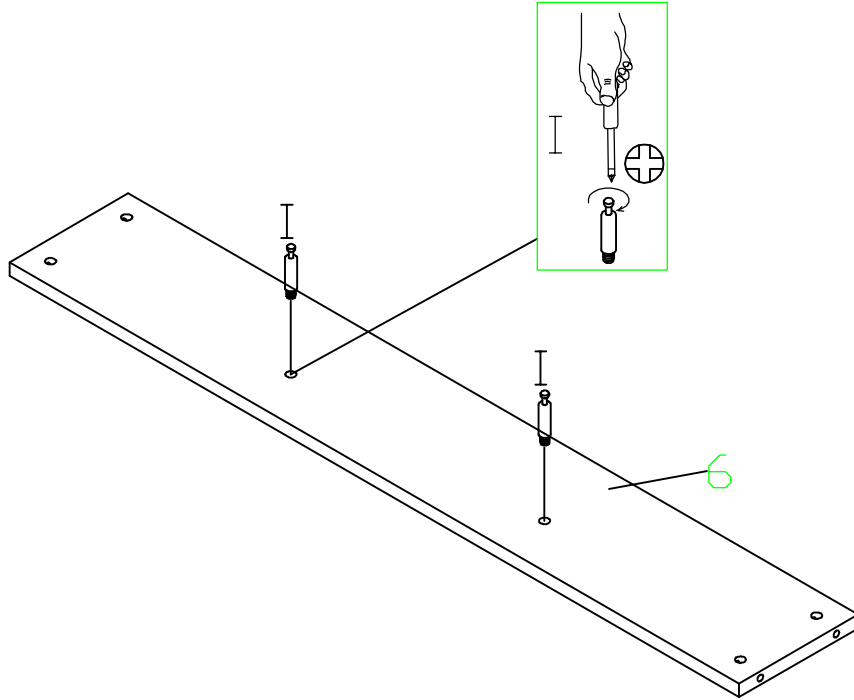
M6\*50

F



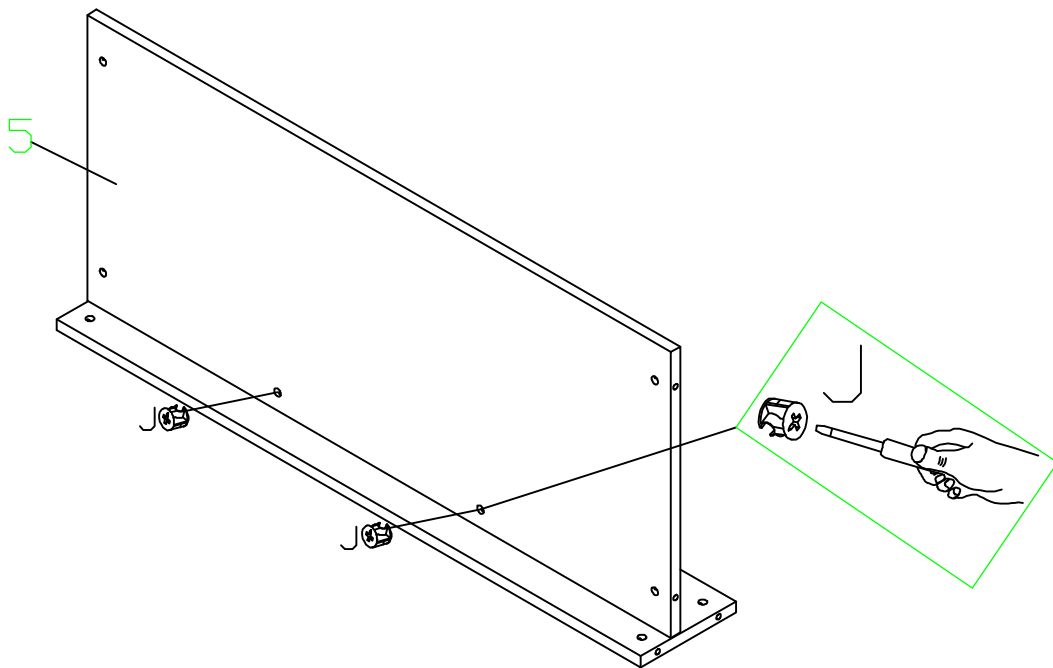
M6\*30

1



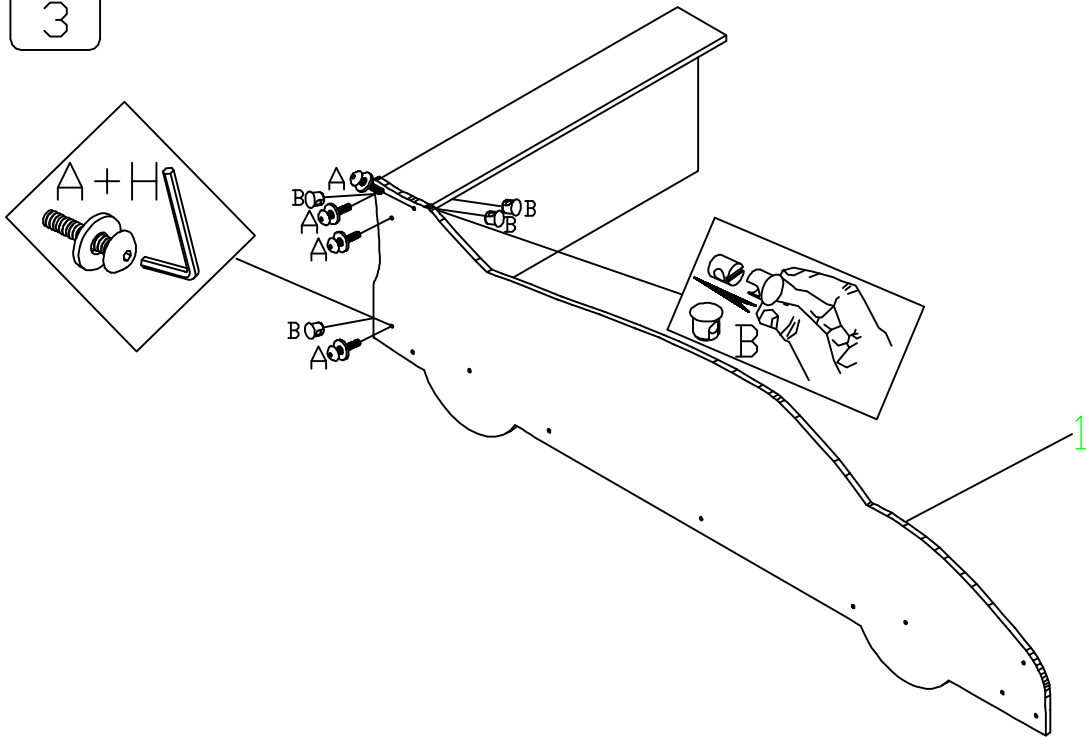
QTY:2

2





QTY:2

3

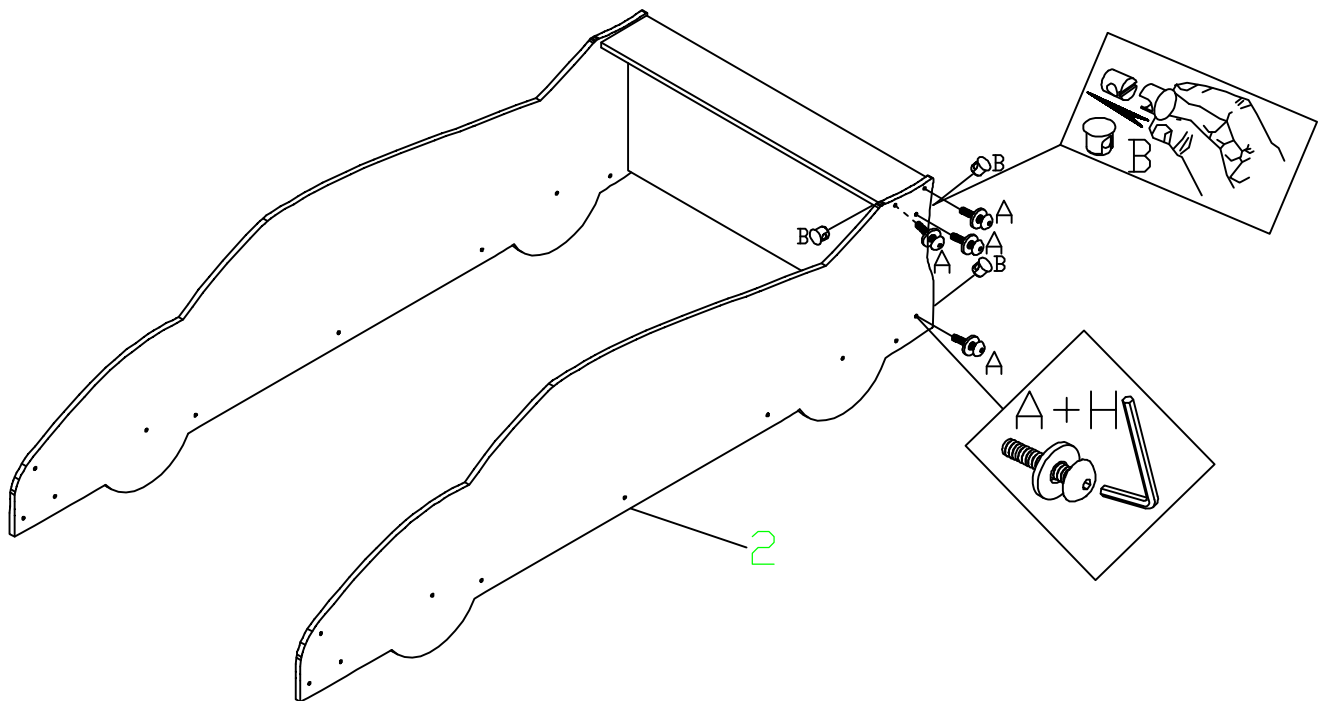


A  M6\*50  
QTY:4


B  QTY:4


H  QTY:4

4

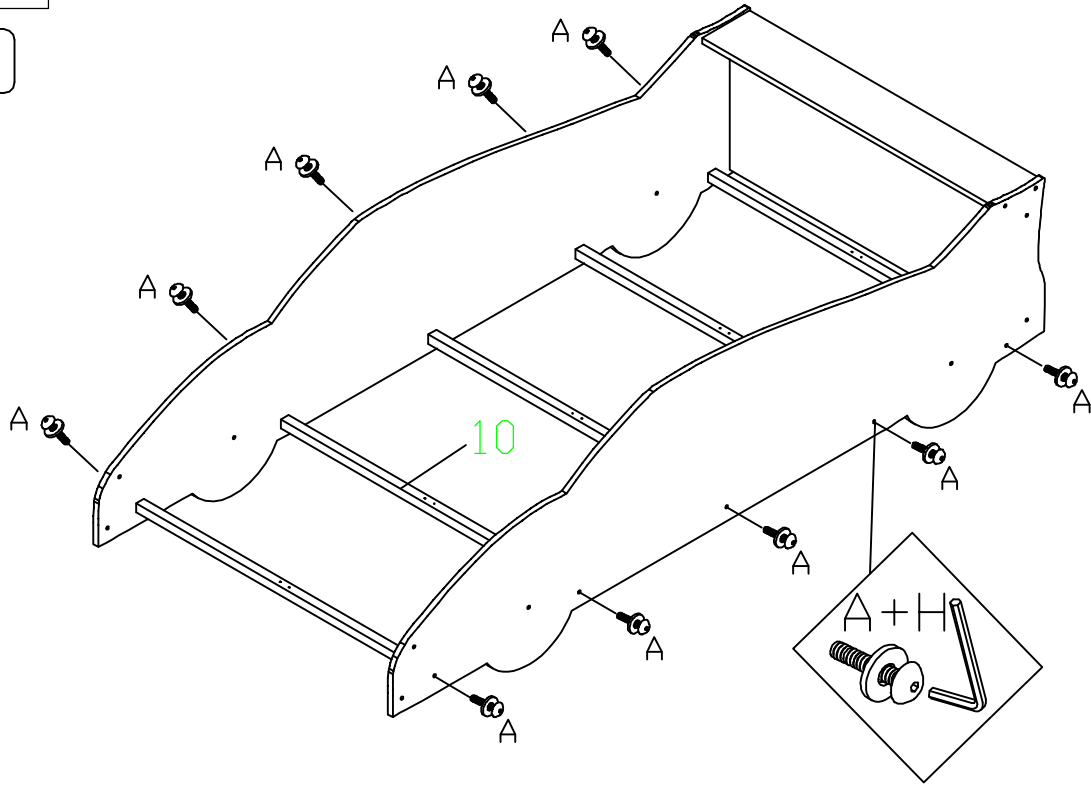


A  M6\*50  
QTY:4

B  QTY:4

H  QTY:4

5



A



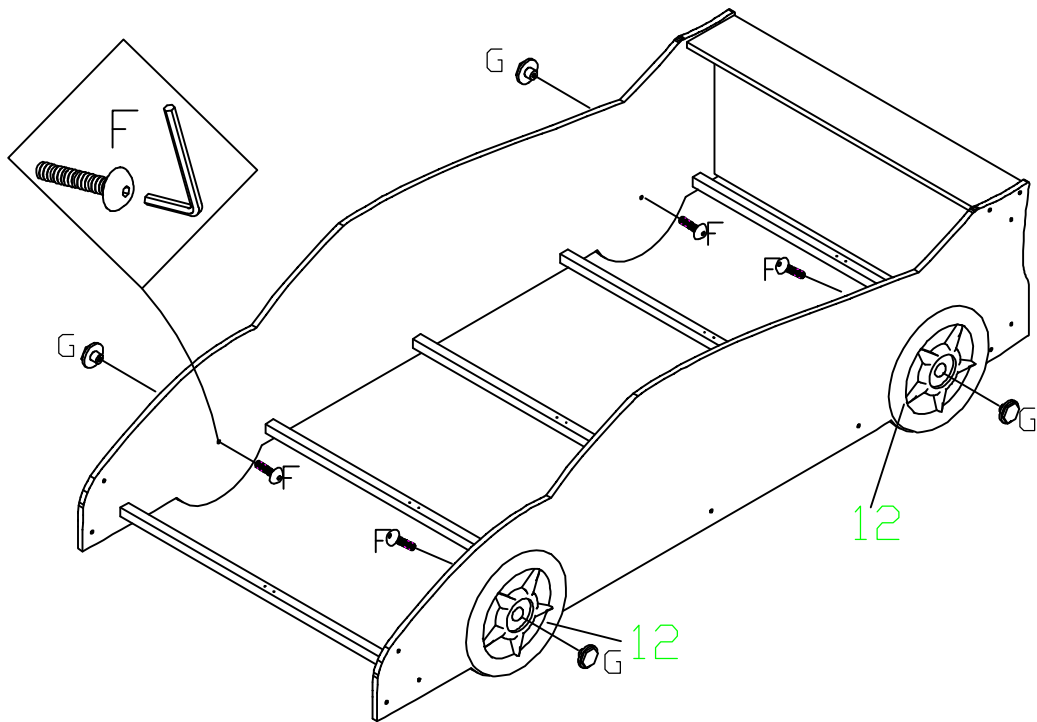
M6\*50  
QTY:10

H



QTY:10

6



F



M6\*30  
QTY:4

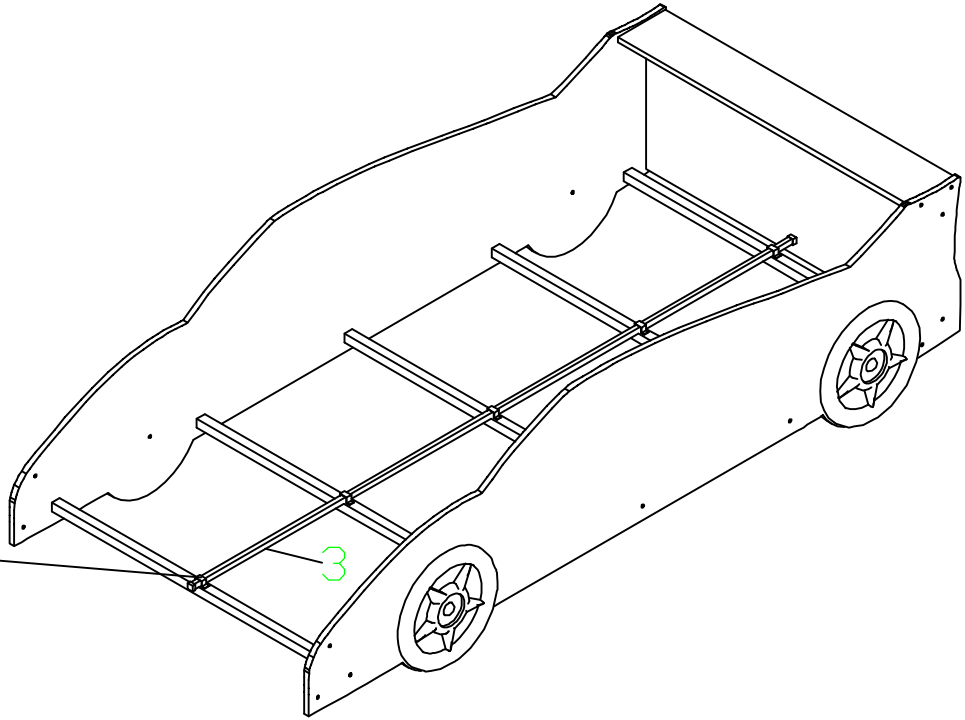
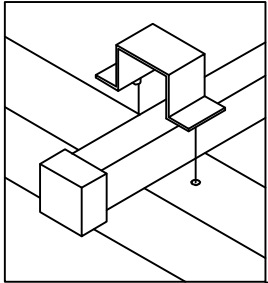
G



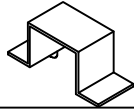
QTY:4



7

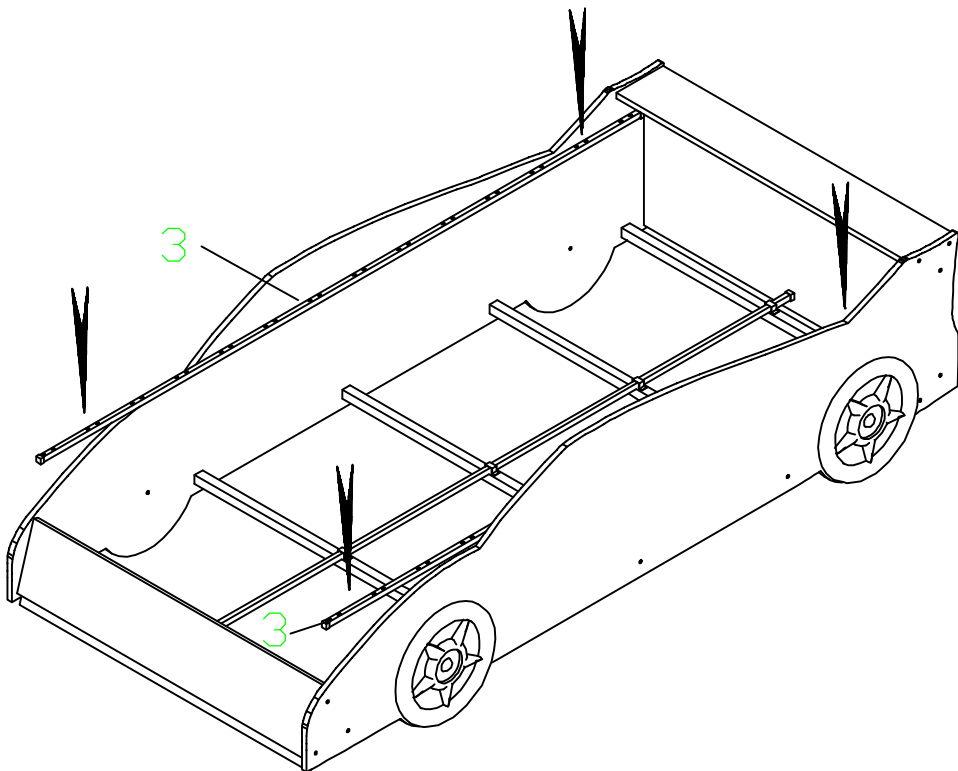


C



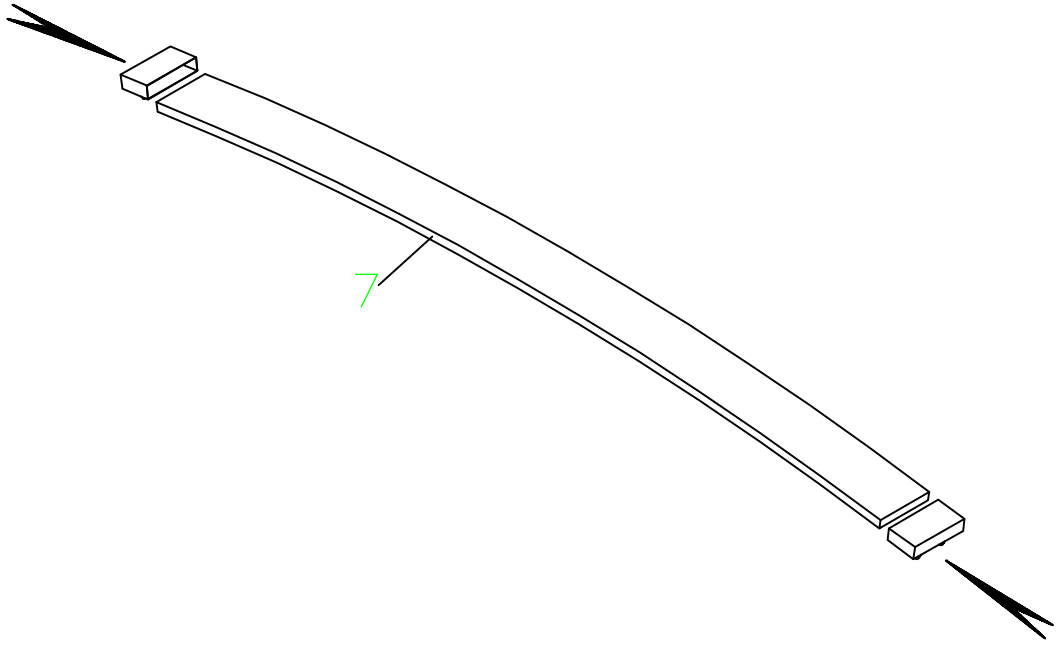
QTY:5

8



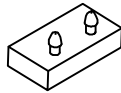
10/11

9



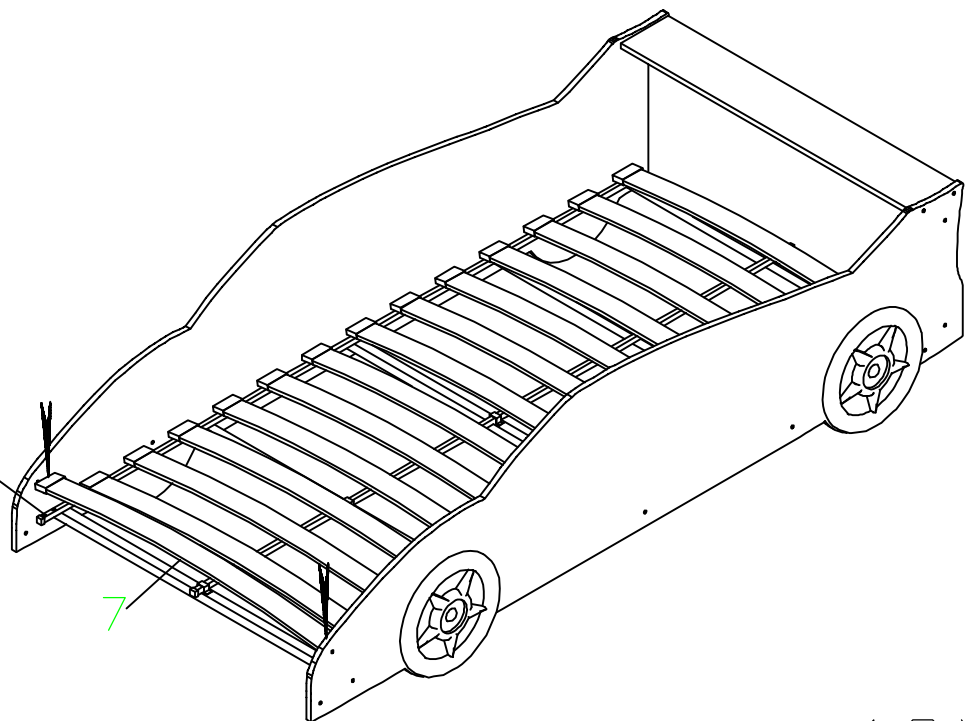
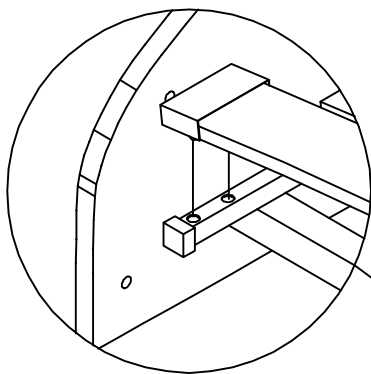
13X

E



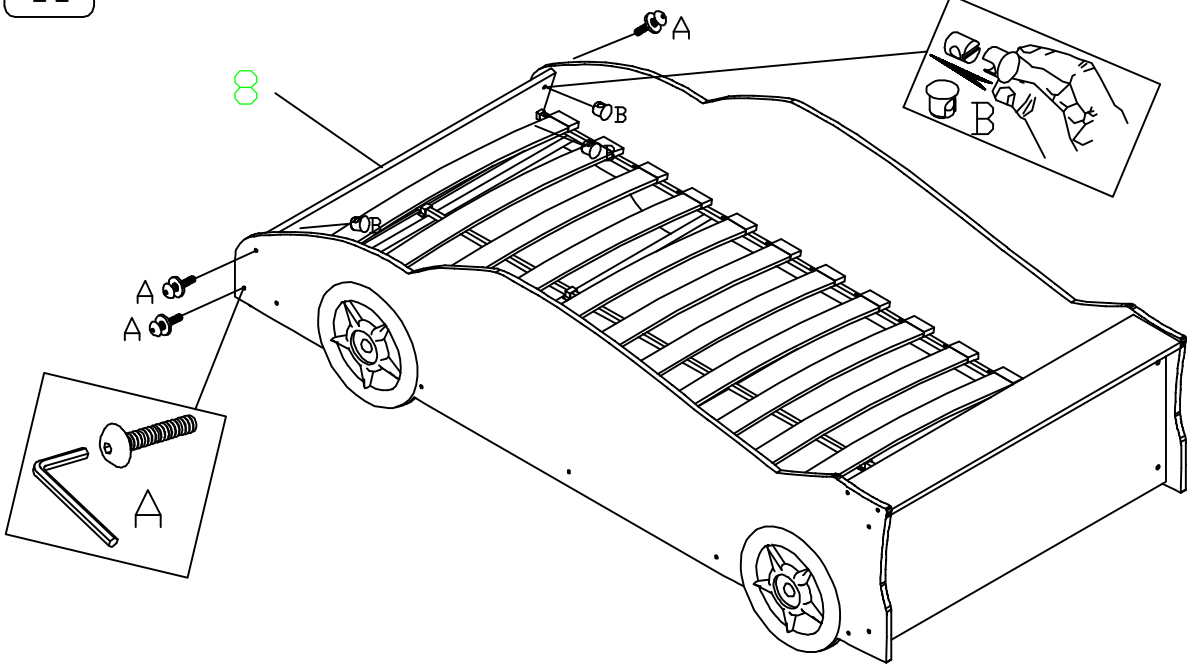
QTY:26

10



13X

11



A



M6\*50  
QTY:4

B



QTY:4

H



QTY:4

12

