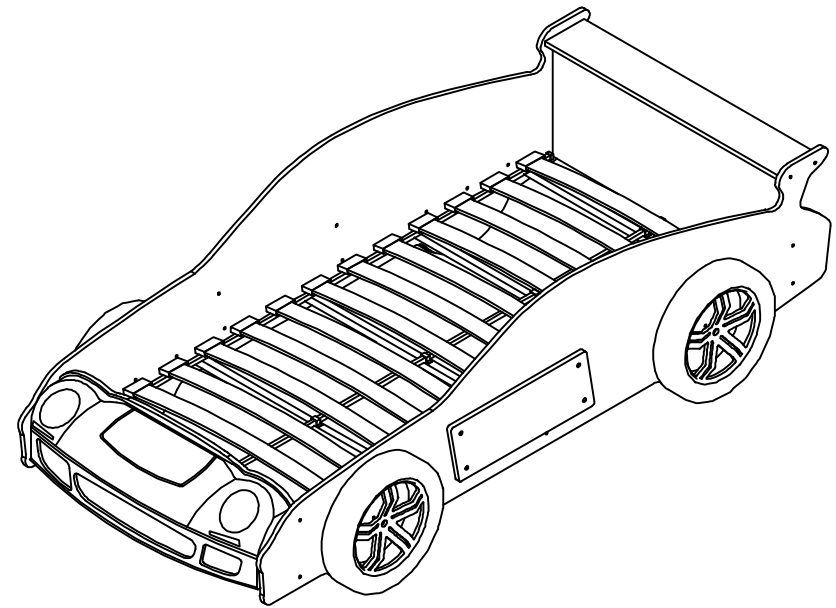

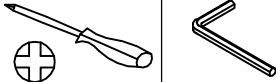


# MODEL : CM7640

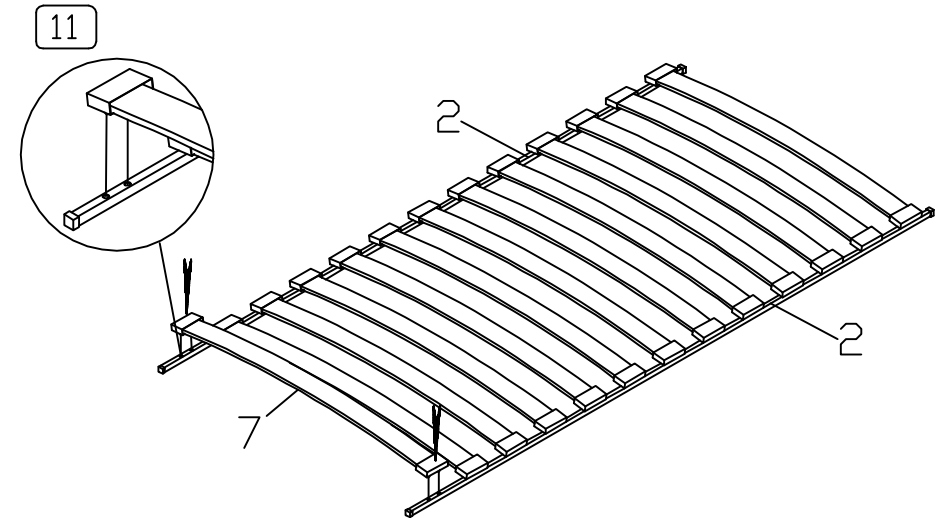


ASSEMBLE DIFFICULTY	1 2 ③ 4 5		
---------------------	-----------	---	---

- User Age: 36 Months Or Above.
- Standard Of Paint: EN1725:1998  
EN1022:2005  
EN71-1:2014  
EN71-3:2013+A1:2014

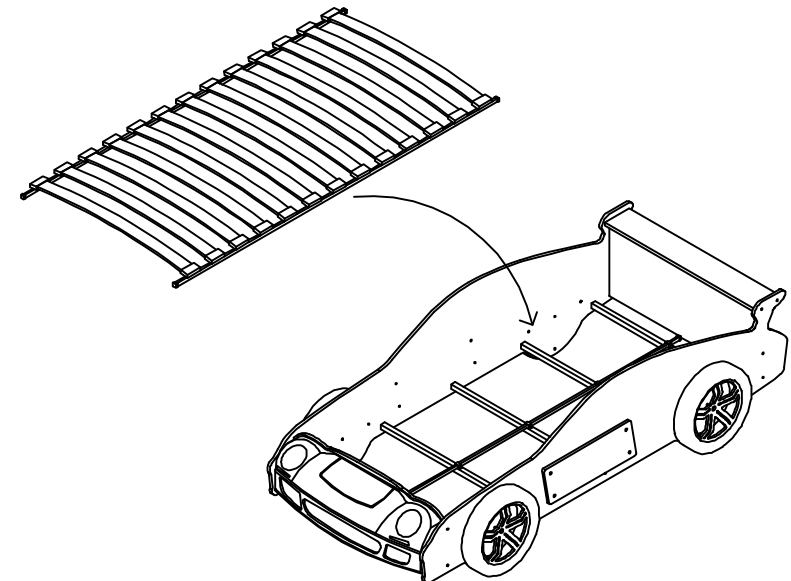
IMPORTANT, RETAIN FOR FUTURE REFERENCE: READ CAREFULLY

- Information regarding maintenance  
Use dry, clean & soft cloth rub on the surface regularly; must not use any wet cloth, hardware or any hard material (such as keys, knife, sand-paper) rub on the surface. Keep away from water and any chemical substances.
- Conditions for use of the product domestic
- Installation only to be carried out by a competent person
- Article consists swallowable small parts, children  $\leq 3$  years should not be without parental guidance (surveillance or monitoring)
- Screw lock must be inserted before joining
- For the safety reason all of the hardware must be screwed tidely.
- This Product must be assembled by adult
- To avoid surface damage, tight all serew must not use over 5Nm power.
- Use only mattress which is 74"-75" long, 37.5"-38.5" wide and 4"-6" height.

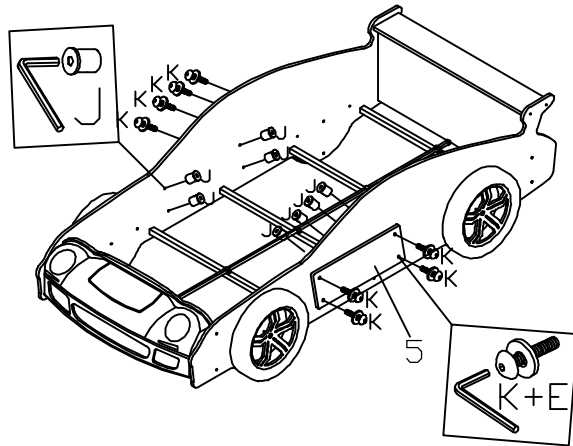


13X

12



9



K



M6\*30  
QTY:8

E



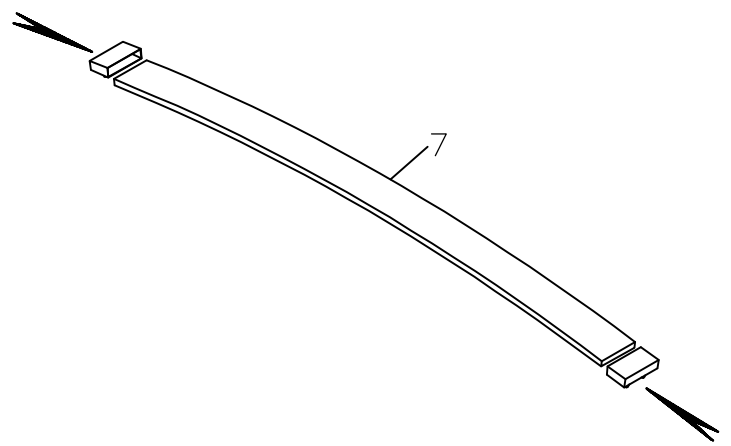
QTY:8

J



QTY:8

10



13X

F

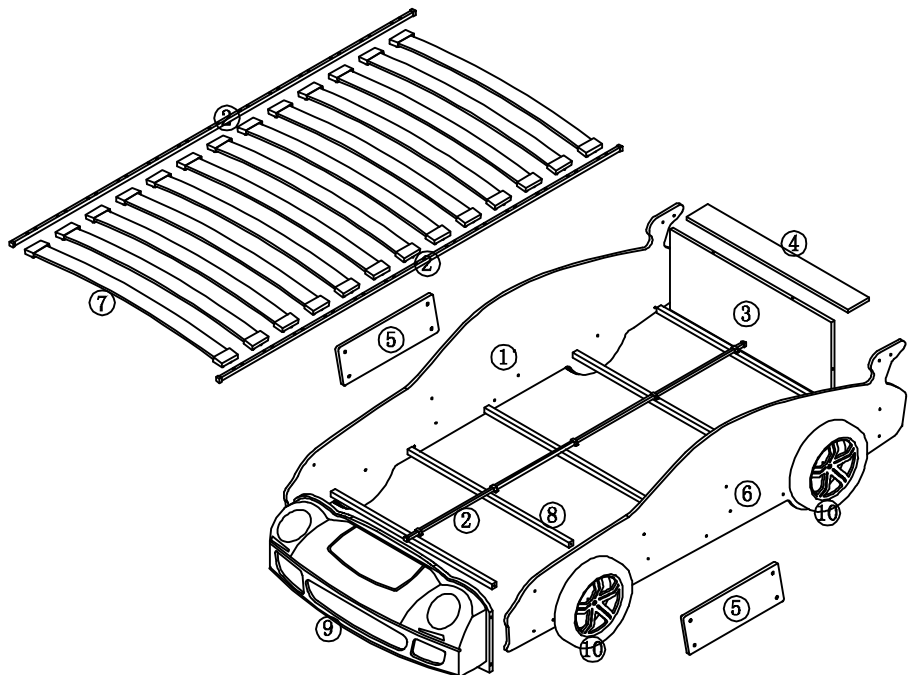


QTY:26

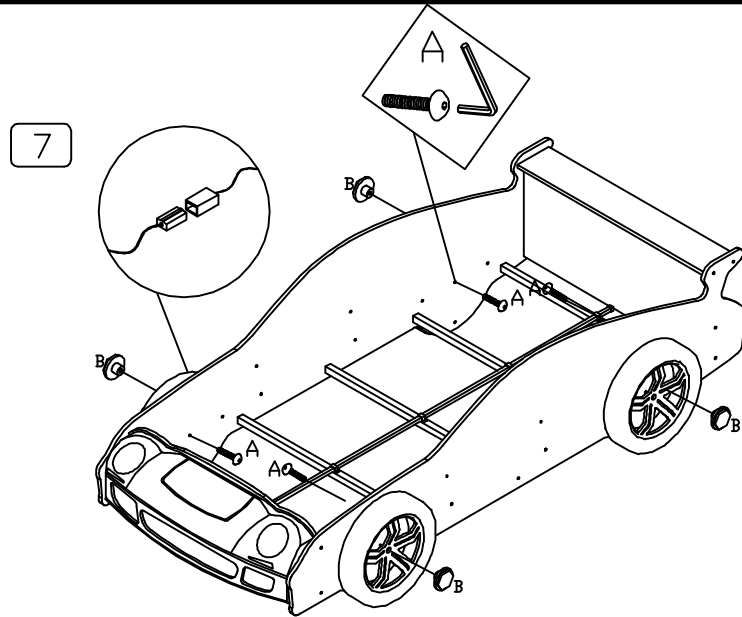
DESCRIPTION OF COMPONENT

ITEM	WORK PIECE	MEASUREMENT	QTY	COLOUR	SHAPE	PACK IN
(1)	SIDE PANEL (L)	2235*632*15	1	WHITE		1/3
(2)	U SHAPED IRON	1910*15*15	3	SILVER		1/3
(3)	BACK BOARD	1000*390*15	1	WHITE		1/3
(4)	MIDDLE SUPPORT	1000*152*15	1	WHITE		1/3
(5)	MIDDLE DECORATE PIECE	564*200*15	2	WHITE		1/3
(6)	SIDE PANEL (R)	2235*632*15	1	WHITE		1/3
(7)	PLYWOOD SLAT	995*62*12	13	WHITE		2/3
(8)	SQUARE PIPE	1000*25*25	5	WHITE		2/3
(9)	FRONT BOARD	1000*329*300	1	WHITE		2/3
(10)	TYRE	350*350*35	4	BLACK		3/3
(11)	HARDWARE	216*114*57	1	-		3/3

MODEL:CM7640 (1000\*1920)



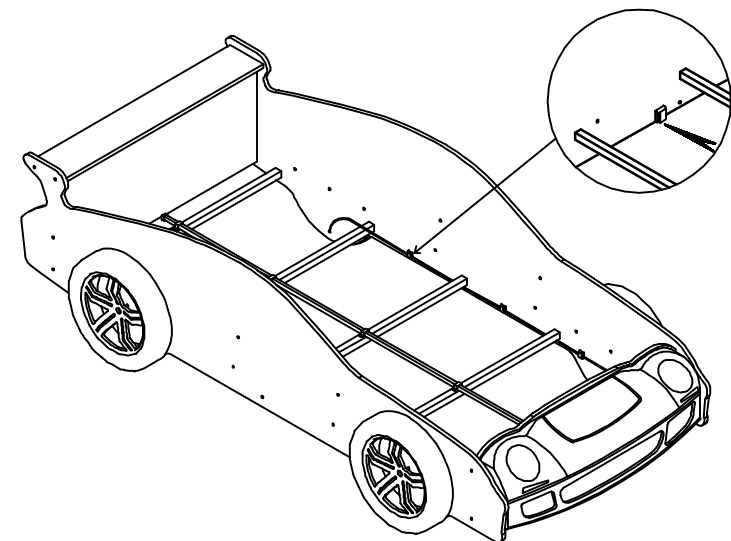
A	B	C	D	E	F	G	H	I	J	K	J
M6*55 QTY:4	M6*50 QTY:22	M6*50 QTY:22	M6*50 QTY:5	M6*50 QTY:30	M6*50 QTY:26	M6*50 QTY:12	M6*50 QTY:2	M6*50 QTY:2	M6*50 QTY:12	M6*30 QTY:8	M6*30 QTY:8



A M6\*55  
QTY:4

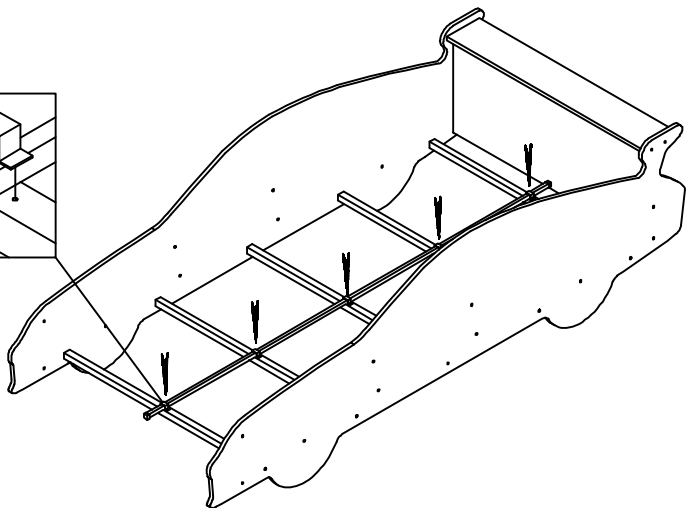
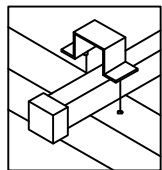
B QTY:4

8



J QTY:12

5

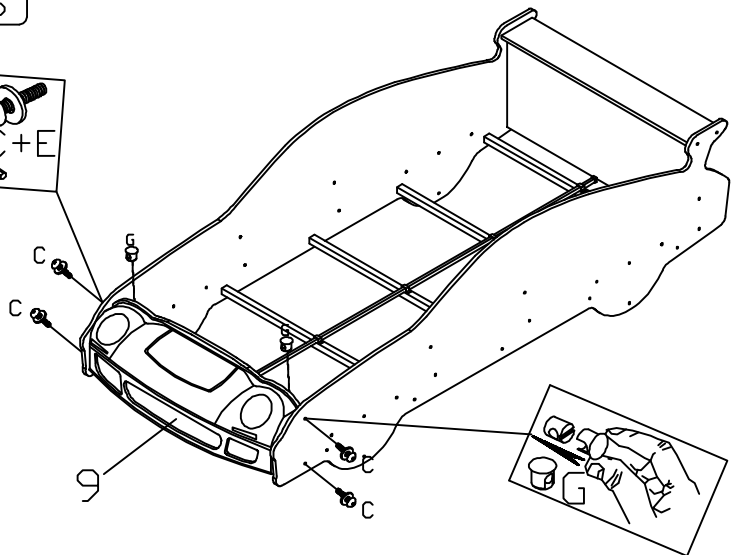
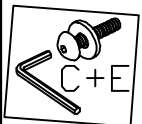


D



QTY:5

6



C



M6\*50  
QTY:4

G



QTY:4

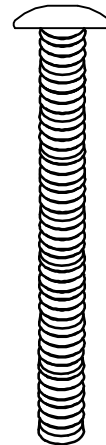
E



QTY:4

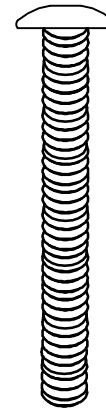
# SCALE 1:1

A



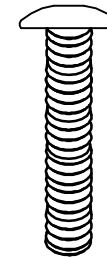
M6\*55

C



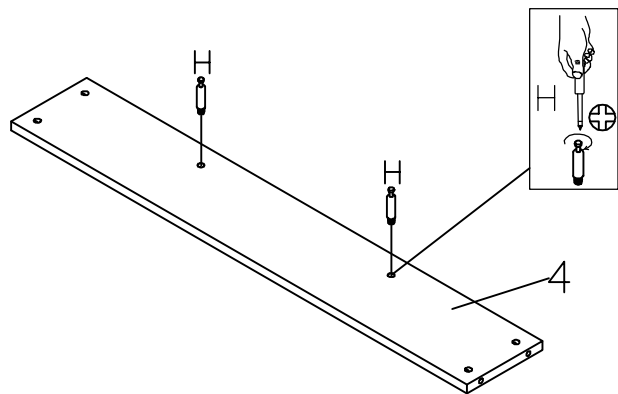
M6\*50


K



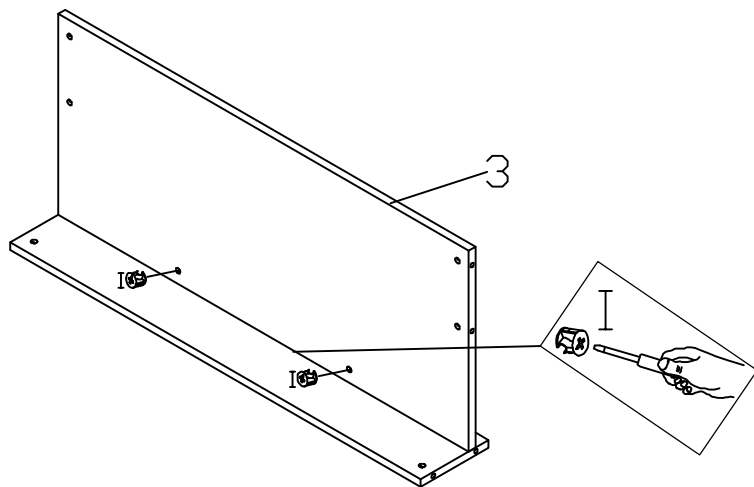
M6\*30

1



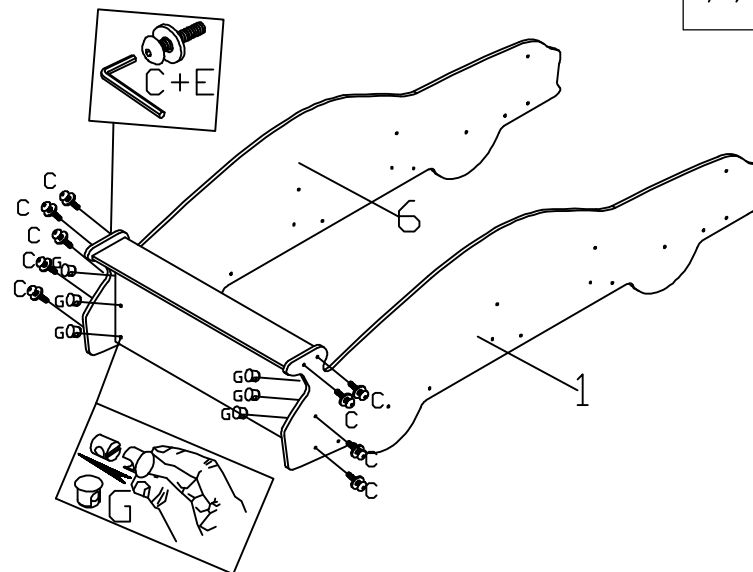
H  QTY:2

2



I  QTY:2

3

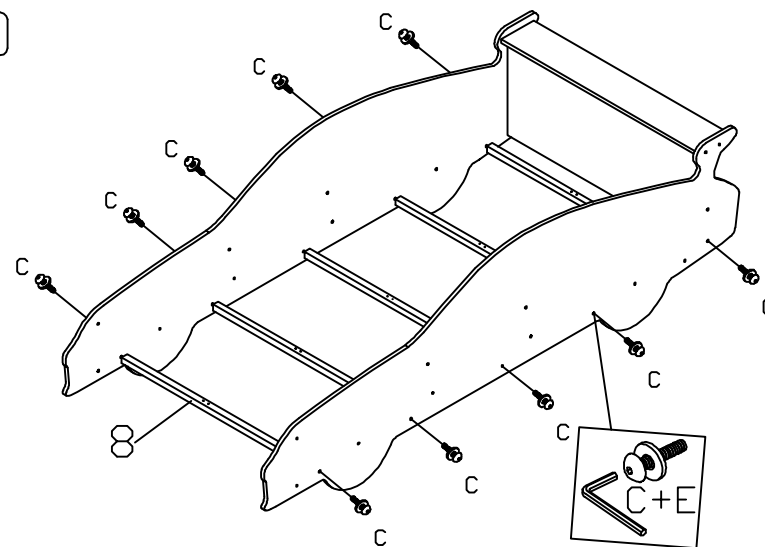


C  M6\*50 QTY:8

G  QTY:8

E  QTY:8

4



C  M6\*50 QTY:10

E  QTY:10