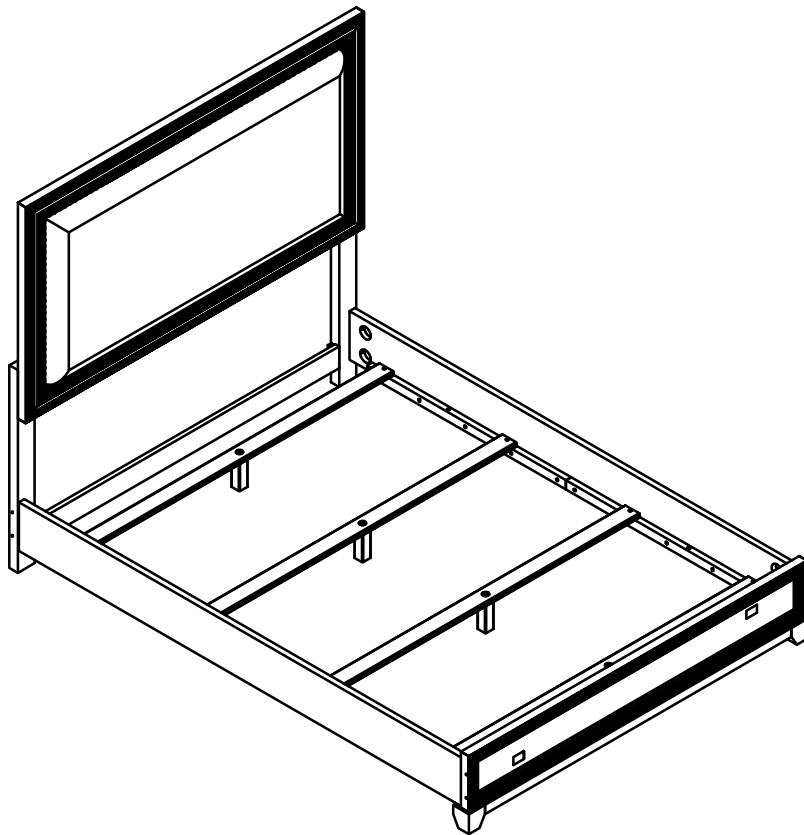


Furniture of America™

Assembly Instructions

CM7615Q



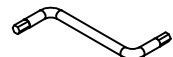
ASSEMBLY RATING

The Assembly Rating is a 5-point system that shows the degree of effort needed in assembling a specific product (with 1 being easy and 5 being difficult). For some products, two persons are recommended.



Tools Required For Assembly:

Allen Wrench



(Included)

Wrench

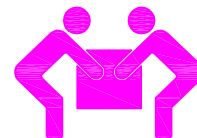


(Included)

Phillips Screwdriver



(Not Included)

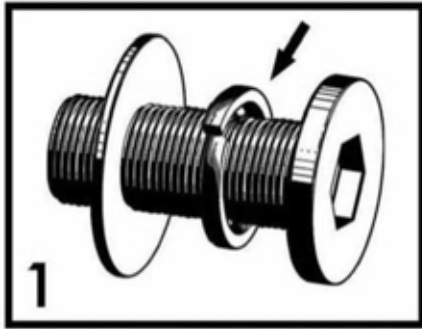


2 PERSONS RECOMMENDED

ASSEMBLY & CARE ADVICE

FOR YOUR FURNITURE TO LAST, CORRECT ASSEMBLY AND PROPER MAINTENANCE ARE NECESSARY. PLEASE FOLLOW THE INFORMATION PROVIDED BELOW TO FULLY ENJOY YOUR FURNITURE.

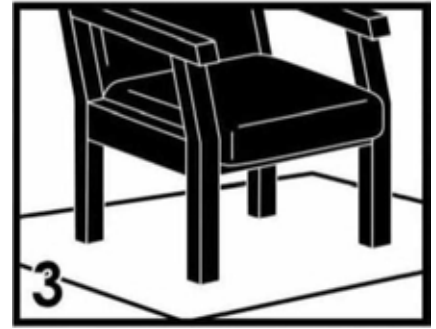
BASIC ASSEMBLY TECHNIQUES



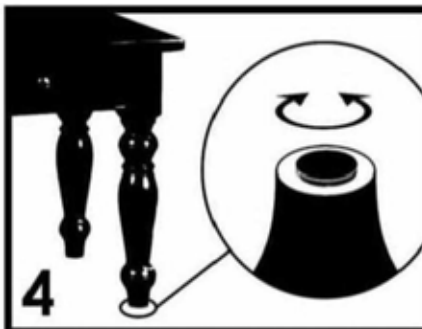
1
When lock or spring washer is used in an assembly, please make sure the lock or spring washer is placed between the larger flat washer and the head of the screw or bolt.



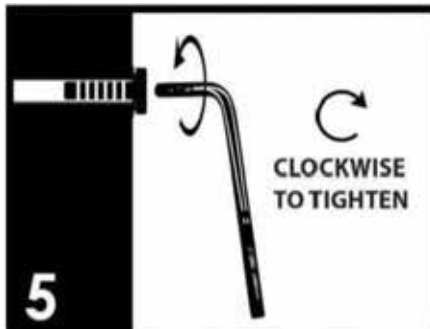
2
Position each part correctly and insert screws or bolts into their respective holes by hand tighten or using the proper hand tool. Only tighten when step is completed or when instructed to do so.



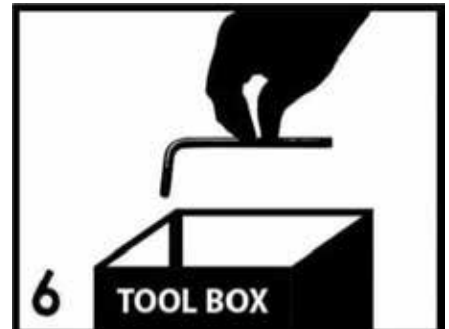
3
Use cardboard or carpet area when assembling furniture to prevent scratches. Make sure the furniture rests on a flat and level surface with each leg evenly touching the floor.



4
Some furniture comes with height adjustment knobs underneath each leg. To lower or to raise each leg, you need to turn clockwise or counterclockwise, respectively.

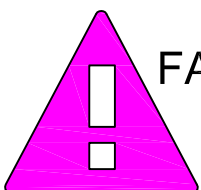


5
Make sure all parts are properly aligned, then use the appropriate hand tool to completely tighten the bolts or screws. Do not use power tools and do not overtighten.



6
Save the instructions and store the Allen wrench or any supplied tool for later maintenance. After two weeks, check and tighten any loose hardware and repeat again every six months thereafter.

IT IS THE USER'S RESPONSIBILITY TO MAINTAIN THE FURNITURE. THE HARDWARE MAY LOOSEN OVER TIME AND MAY CAUSE THE FURNITURE TO BE WOBBLY AND UNABLE TO SUPPORT ITS INTENDED WEIGHT CAPACITY. THIS MAY LEAD TO COLLAPSE AND MAY CAUSE SERIOUS INJURY.



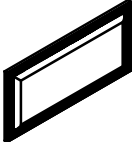





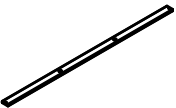

FAILURE TO FOLLOW THE GUIDELINES ABOVE MAY RESULT IN INJURY AND/OR PROPERTY DAMAGE.







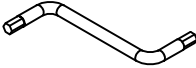



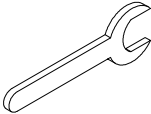
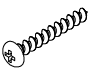
Before you begin, please read Page 2 of "Assembly and Care Advice".

And remember, do not tighten until each step is completed or instructed.

Parts List

	#1 x 1 pc Headboard
	#2R x 1 pc Right H/Board Leg
	#2L x 1 pc Right L/Board Leg
	#3 x 1 pc Leg Support
	#4 x 1 pc Footboard
	#5 x 2 pcs Side Rail
	#6 x 4 pcs Slat
	#7 x 4 pcs Slat Support Leg

Hardware List

	#A x 8 pcs Bolt 1/4" x 2-1/4"
	#B x 4 pcs Bolt 1/4" x 1-1/2"
	#C x 12 pcs Lock Washer
	#D x 12 pcs Flat Washer
	#E x 1 pc Allen Wrench
	#F x 8 pcs Threaded Stud
	#G x 8 pcs Hex Nut
	#H x 8 pcs Beveled Washer
	#I x 1 pc Wrench
	#J x 8 pcs Screw 1-1/4"

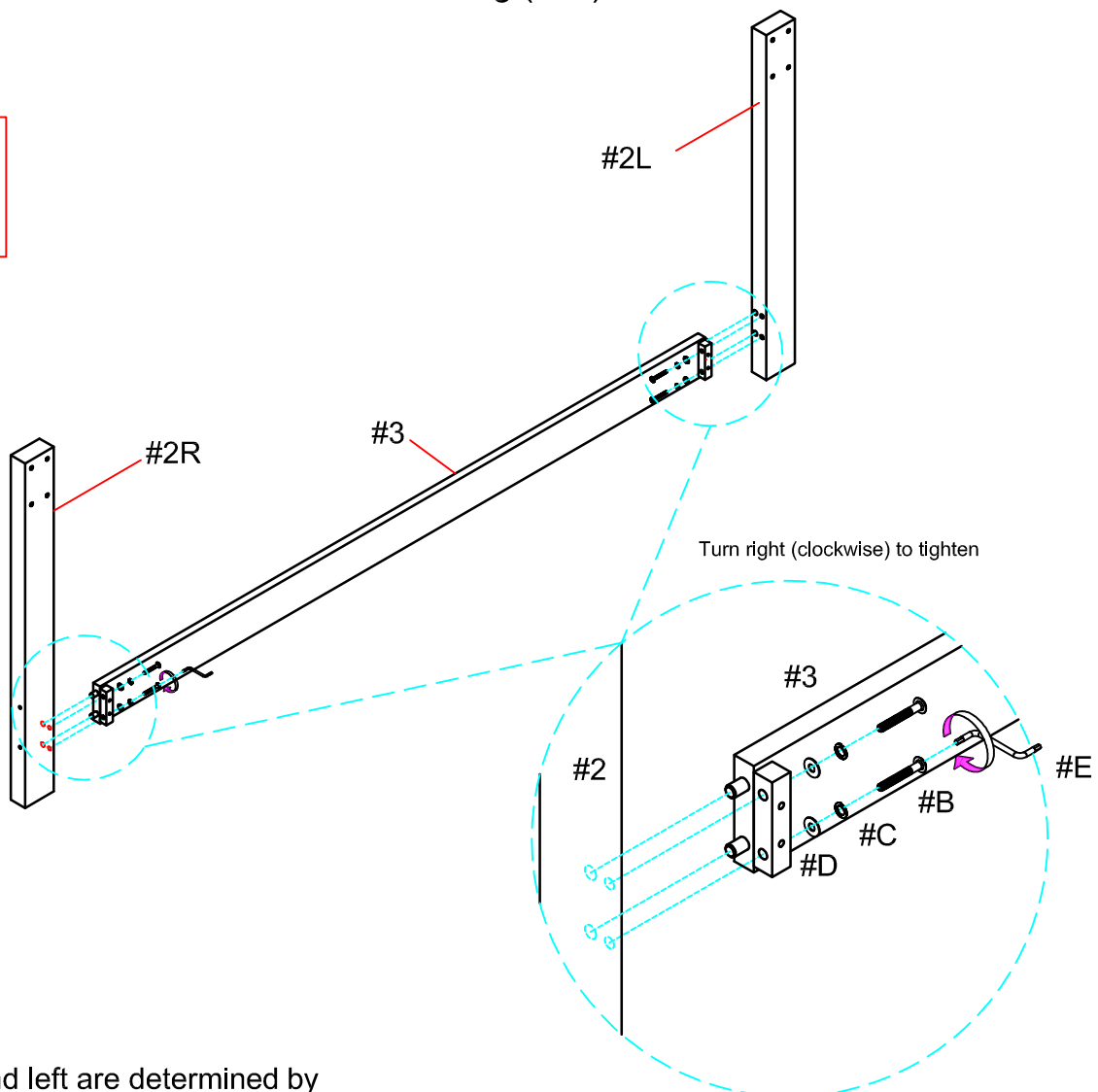


Due to the size and/or weight of this product, it is highly recommended that the assembly should be done near the area of its intended location. Make sure you have enough space to move around during the assembly. ALWAYS have at least two people to help with transporting and assembling the product to avoid any potential injury and/or damage.



- I. Align the leg support (#3) with the pre-drilled holes of the right headboard leg (#2R) and the left headboard leg (#2L).
- II. Prepare 4 bolt assemblies by inserting FIRST the lock washer (#C) onto the bolt (#B) and then the flat washer (#D) onto the SAME bolt (#B), in that order.
- III. Insert the bolt assemblies through the leg support (#3) using the Allen wrench (#E) to lock them with the right headboard leg (#2R) and the left headboard leg (#2L).

#B x 4 pcs
#C x 4 pcs
#D x 4 pcs

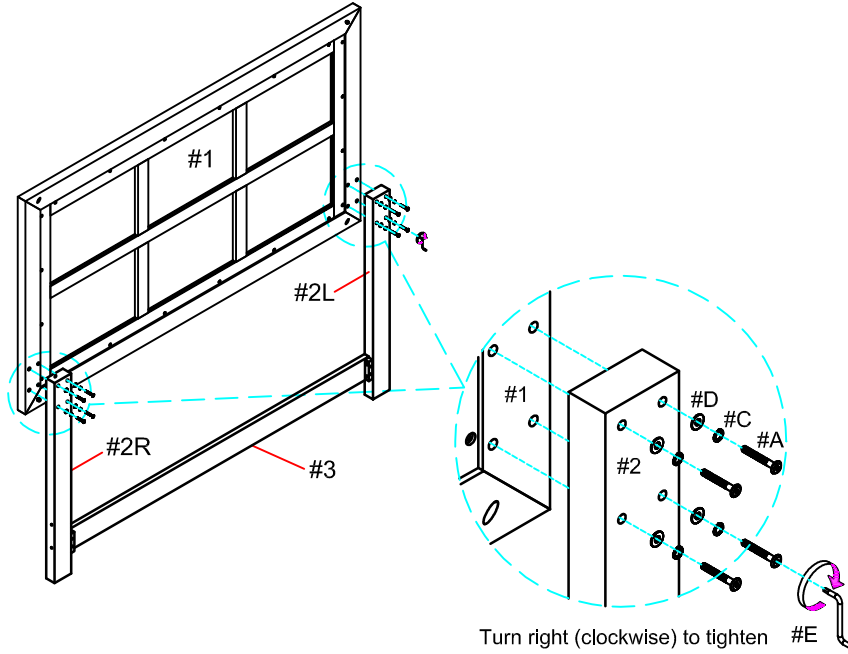


Note: Right and left are determined by facing the front of the footboard.

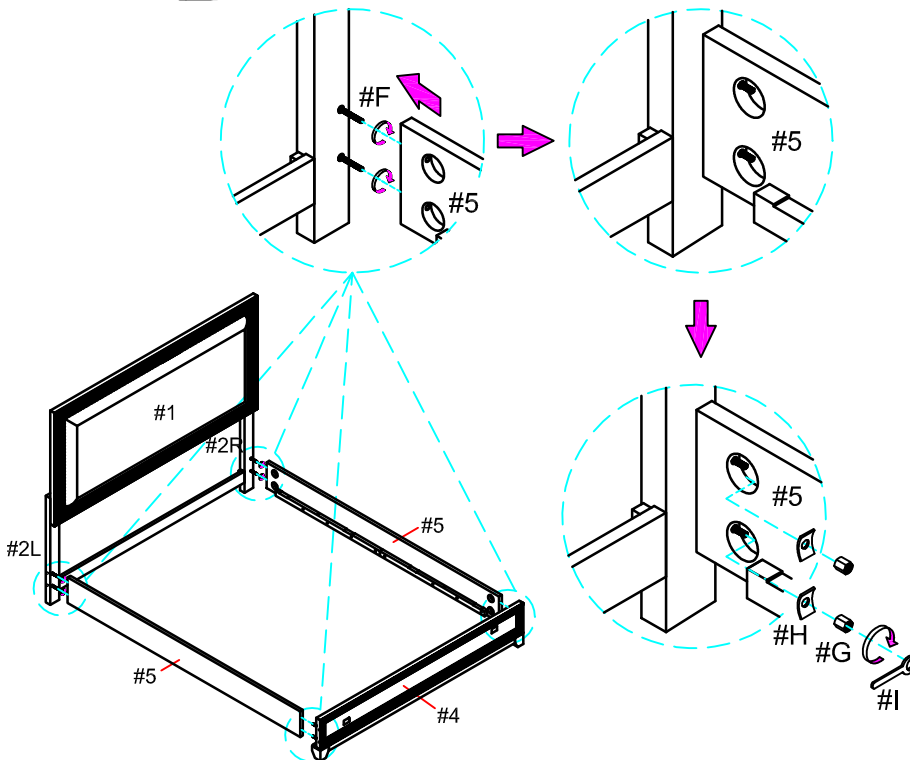


- I. With the help of another person, carefully align the headboard (#1) with the pre-drilled holes of the right headboard leg (#2R) and the left headboard leg (#2L).
- II. Prepare 8 bolt assemblies by inserting FIRST the lock washer (#C) onto the bolt (#A) and then the flat washer (#D) onto the SAME bolt (#A), in that order.
- III. Insert the bolt assemblies through the pre-drilled holes of the right headboard leg (#2R) and the left headboard leg (#2L) and secure those bolts using the Allen wrench (#E) to lock them with the headboard (#1).

#A x 8 pcs
#C x 8 pcs
#D x 8 pcs



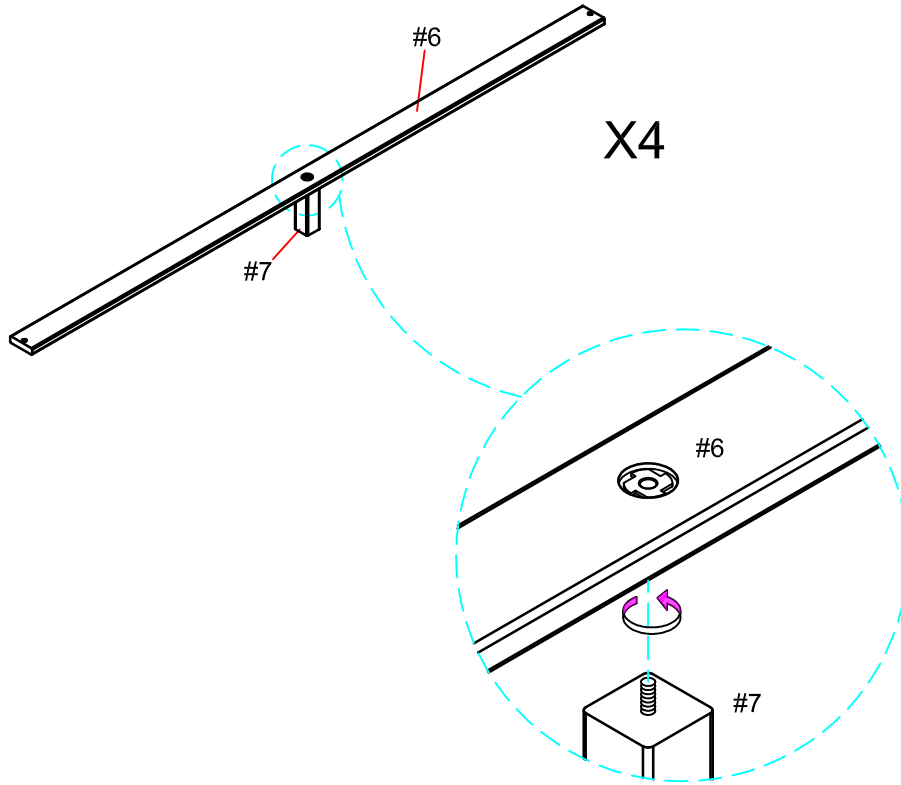
#F x 8 pcs
#G x 8 pcs
#H x 8 pcs



- I. Insert 4 threaded studs (#F) into the headboard legs (#2R & #2L) AND 4 threaded studs (#F) into the footboard (#4).
- II. Insert one side rail (#5) onto the two threaded studs (#F) on the right headboard leg (#2R). Then insert two beveled washers (#H) onto the threaded studs (#F) and secure with the two hex nuts (#G) using the wrench (#I) to tighten. Repeat the process to secure the other side rail (#5) onto the left headboard leg (#2L).
- III. Insert the other end of the side rail (#5) onto the two threaded studs (#F) of the footboard (#4). Then insert two beveled washers (#H) onto the threaded studs (#F) and secure with the two hex nuts (#G) using the wrench (#I) to tighten. Repeat the process to secure the other side rail (#5) onto the other side of the footboard (#4).

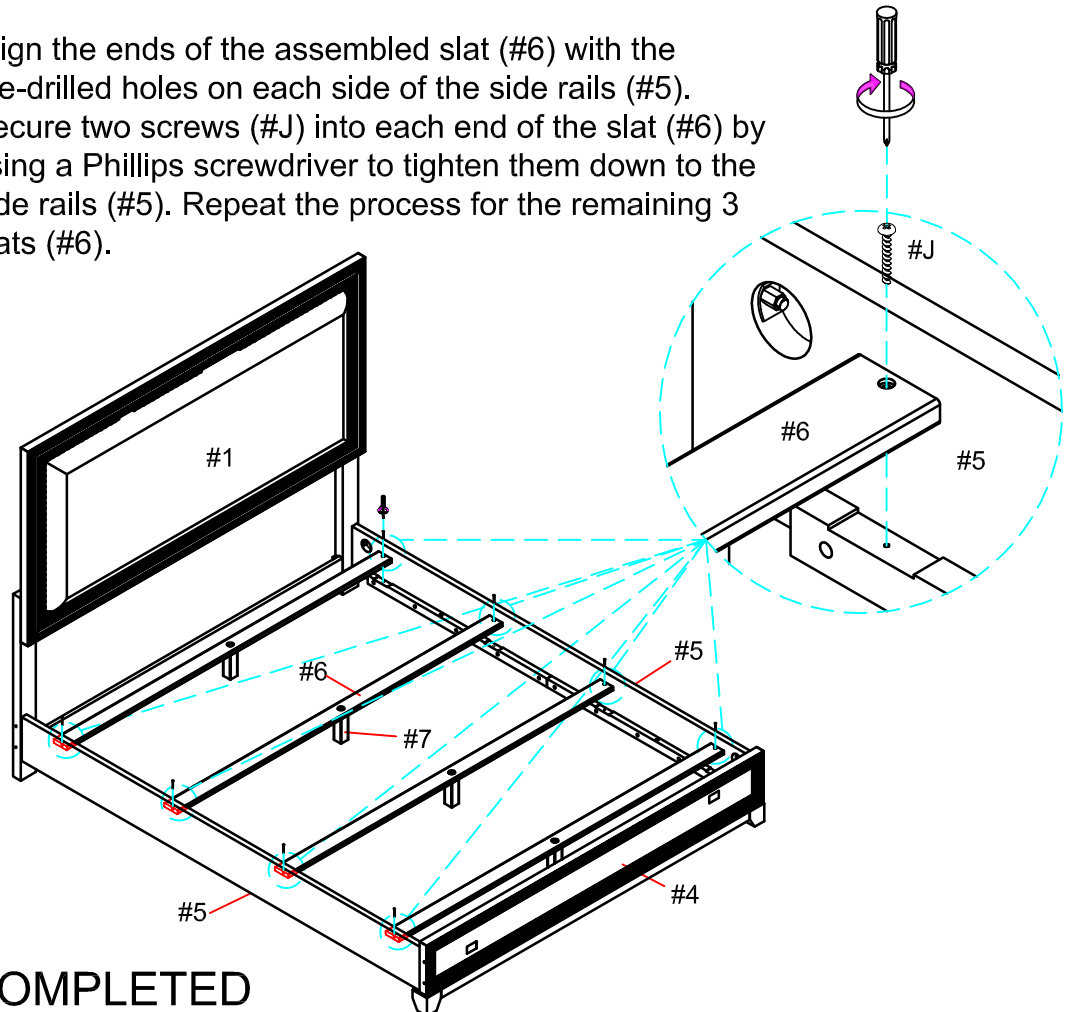


Align the threaded end of the slat support leg (#7) with the pre-drilled hole of the slat (#6) and tighten by hand until secured. Repeat the process for attaching the remaining slat support leg (#7) onto the remaining slats (#6).

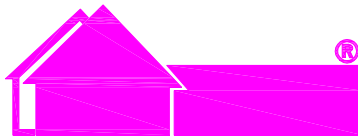


Align the ends of the assembled slat (#6) with the pre-drilled holes on each side of the side rails (#5). Secure two screws (#J) into each end of the slat (#6) by using a Phillips screwdriver to tighten them down to the side rails (#5). Repeat the process for the remaining 3 slats (#6).

#J x 8 pcs



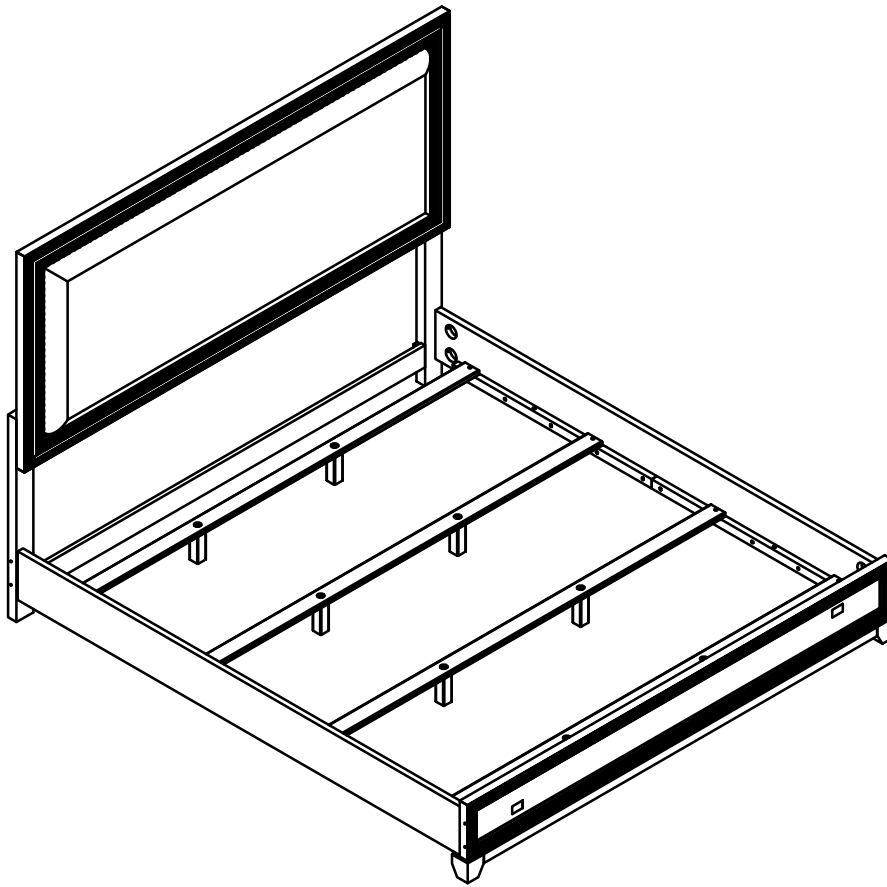
ASSEMBLY IS COMPLETED



Furniture of America™

Assembly Instructions

CM7615CK/EK



ASSEMBLY RATING

The Assembly Rating is a 5-point system that shows the degree of effort needed in assembling a specific product (with 1 being easy and 5 being difficult). For some products, two persons are recommended.



Tools Required For Assembly:

Allen Wrench



(Included)

Wrench

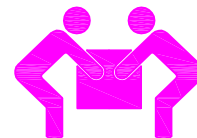


(Included)

Phillips Screwdriver



(Not Included)

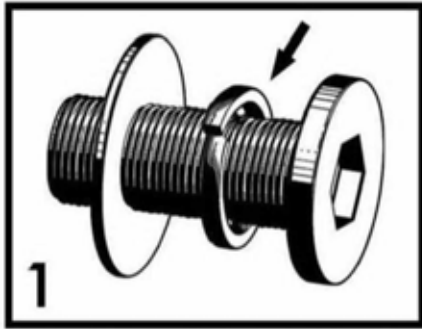


2 PERSONS RECOMMENDED

ASSEMBLY & CARE ADVICE

FOR YOUR FURNITURE TO LAST, CORRECT ASSEMBLY AND PROPER MAINTENANCE ARE NECESSARY. PLEASE FOLLOW THE INFORMATION PROVIDED BELOW TO FULLY ENJOY YOUR FURNITURE.

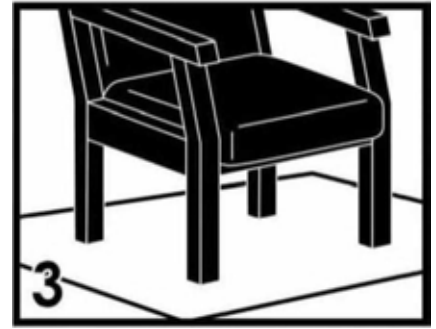
BASIC ASSEMBLY TECHNIQUES



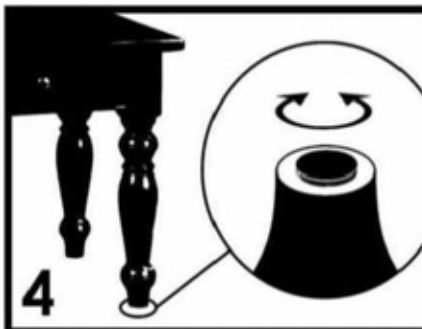
When lock or spring washer is used in an assembly, please make sure the lock or spring washer is placed between the larger flat washer and the head of the screw or bolt.



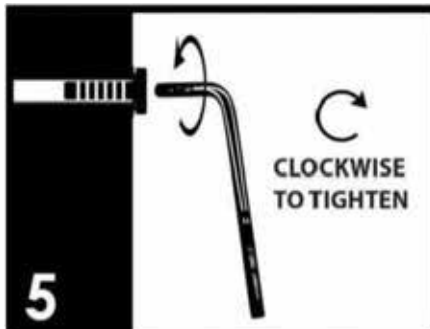
Position each part correctly and insert screws or bolts into their respective holes by hand tighten or using the proper hand tool. Only tighten when step is completed or when instructed to do so.



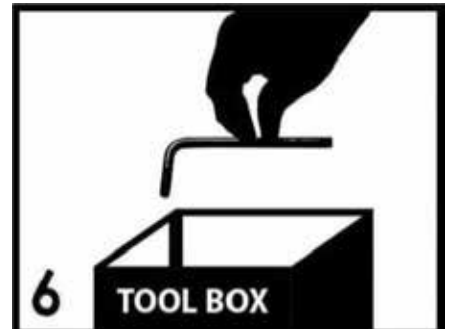
Use cardboard or carpet area when assembling furniture to prevent scratches. Make sure the furniture rests on a flat and level surface with each leg evenly touching the floor.



Some furniture comes with height adjustment knobs underneath each leg. To lower or to raise each leg, you need to turn clockwise or counterclockwise, respectively.

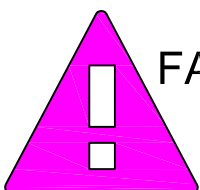


Make sure all parts are properly aligned, then use the appropriate hand tool to completely tighten the bolts or screws. Do not use power tools and do not overtighten.



Save the instructions and store the Allen wrench or any supplied tool for later maintenance. After two weeks, check and tighten any loose hardware and repeat again every six months thereafter.

IT IS THE USER'S RESPONSIBILITY TO MAINTAIN THE FURNITURE. THE HARDWARE MAY LOOSEN OVER TIME AND MAY CAUSE THE FURNITURE TO BE WOBBLY AND UNABLE TO SUPPORT ITS INTENDED WEIGHT CAPACITY. THIS MAY LEAD TO COLLAPSE AND MAY CAUSE SERIOUS INJURY.



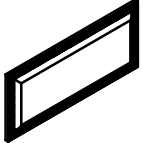
FAILURE TO FOLLOW THE GUIDELINES ABOVE MAY RESULT IN INJURY AND/OR PROPERTY DAMAGE.



Before you begin, please read Page 2 of "Assembly and Care Advice".

And remember, do not tighten until each step is completed or instructed.

Parts List



#1 x 1 pc
Headboard



#2R x 1 pc
Right H/Board Leg



#2L x 1 pc
Left H/Board Leg



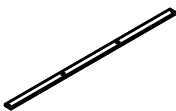
#3 x 1 pc
Leg Support



#4 x 1 pc
Footboard



#5 x 2 pcs
Side Rail



#6 x 4 pcs
Slat



#7 x 8 pcs
Slat Support Leg

Hardware List



#A x 8 pcs
Bolt 1/4" x 2-1/4"



#B x 4 pcs
Bolt 1/4" x 1-1/2"



#C x 12 pcs
Lock Washer



#D x 12 pcs
Flat Washer



#E x 1 pc
Allen Wrench



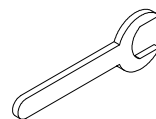
#F x 8 pcs
Threaded Stud



#G x 8 pcs
Hex Nut



#H x 8 pcs
Beveled Washer



#I x 1 pc
Wrench



#J x 8 pcs
Screw 1-1/4"

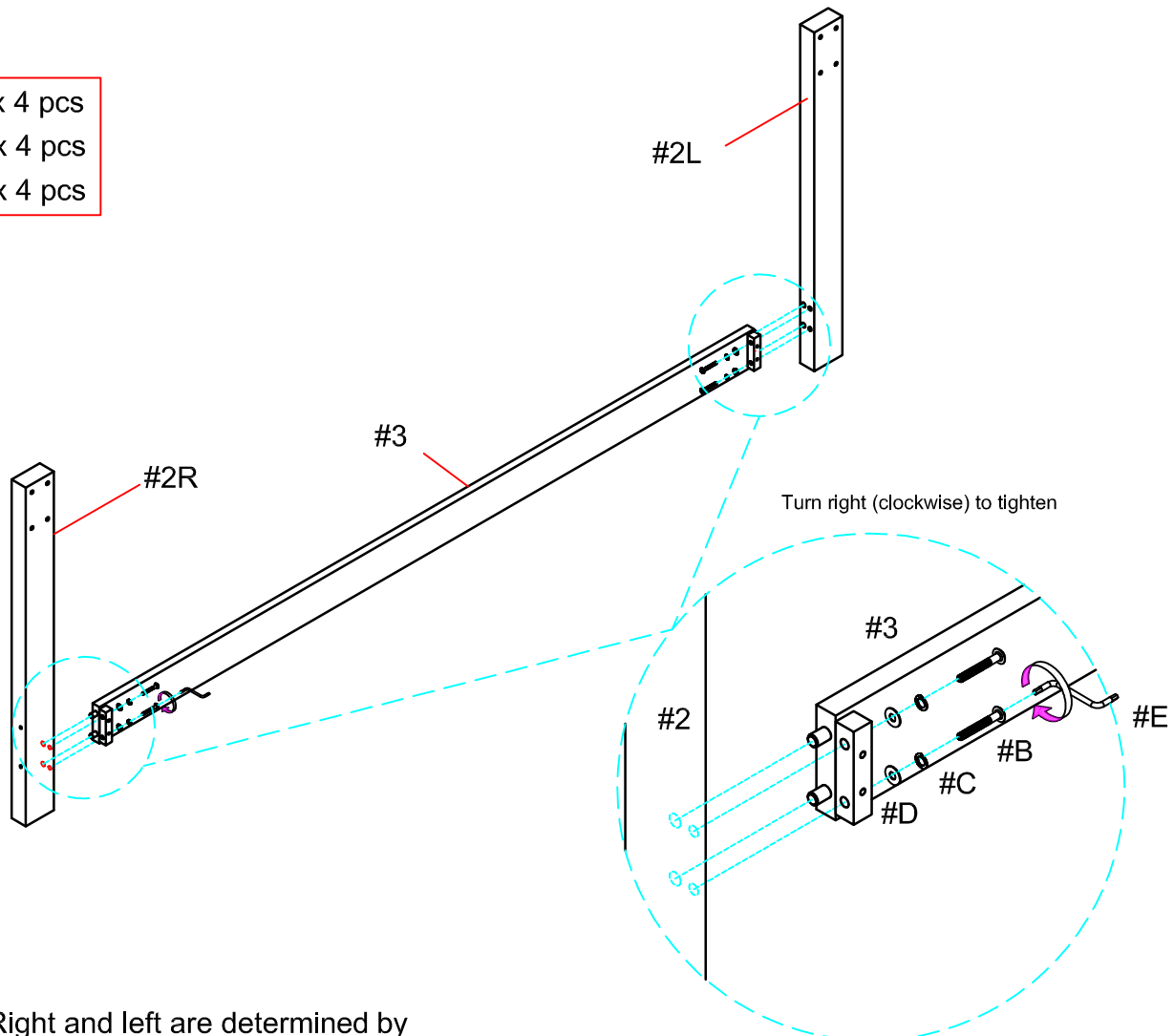


Due to the size and/or weight of this product, it is highly recommended that the assembly should be done near the area of its intended location. Make sure you have enough space to move around during the assembly. ALWAYS have at least two people to help with transporting and assembling the product to avoid any potential injury and/or damage.



- I. Align the leg support (#3) with the pre-drilled holes of the right headboard leg (#2R) and the left headboard leg (#2L).
- II. Prepare 4 bolt assemblies by inserting FIRST the lock washer (#C) onto the bolt (#B) and then the flat washer (#D) onto the SAME bolt (#B), in that order.
- III. Insert the bolt assemblies through the leg support (#3) using the Allen wrench (#E) to lock them with the right headboard leg (#2R) and the left headboard leg (#2L).

#B x 4 pcs
#C x 4 pcs
#D x 4 pcs

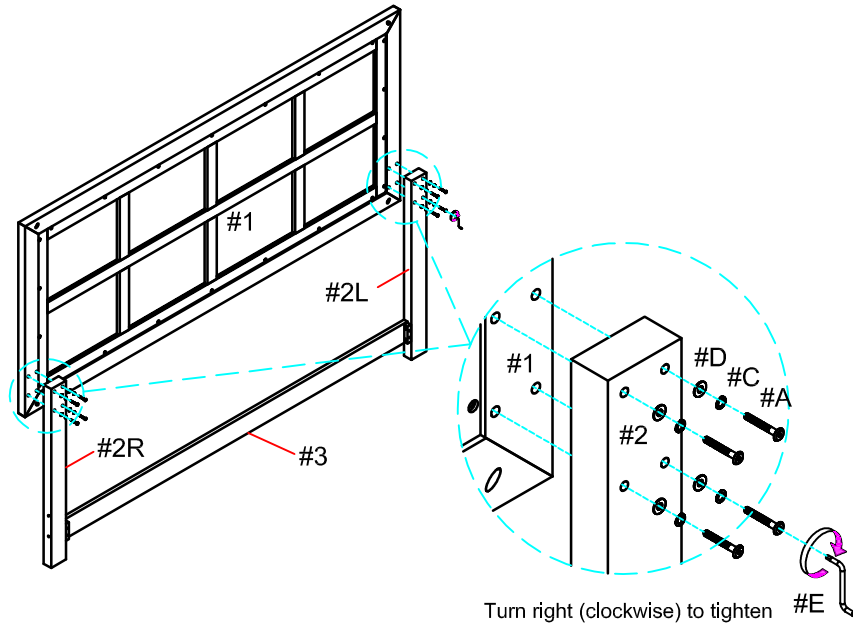


Note: Right and left are determined by facing the front of the footboard.

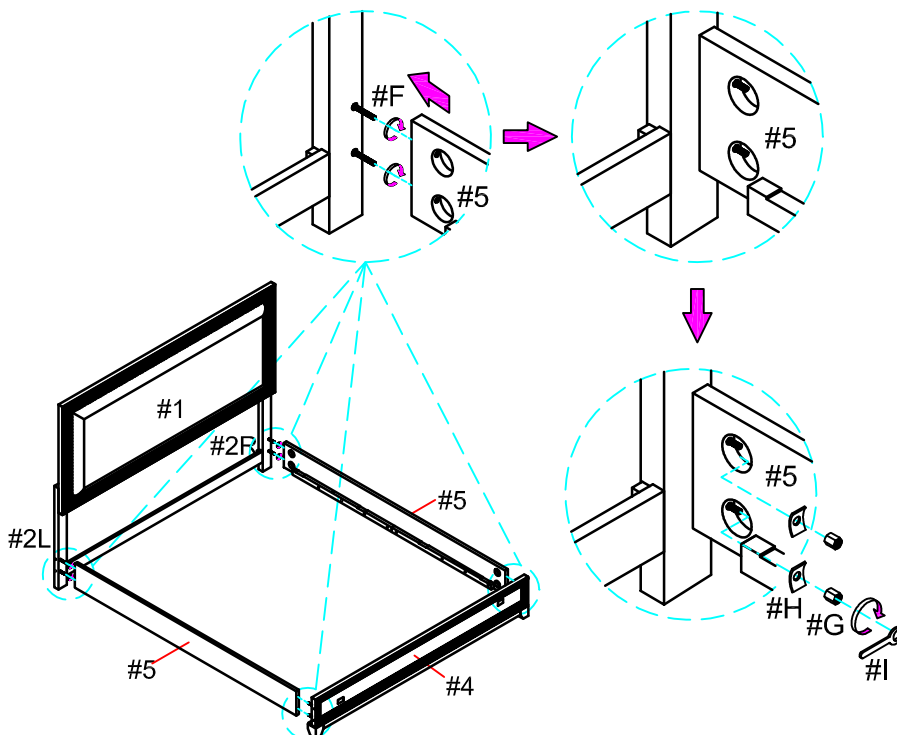


- I. With the help of another person, carefully align the headboard (#1) with the pre-drilled holes of the right headboard leg (#2R) and the left headboard leg (#2L).
- II. Prepare 8 bolt assemblies by inserting FIRST the lock washer (#C) onto the bolt (#A) and then the flat washer (#D) onto the SAME bolt (#A), in that order.
- III. Insert the bolt assemblies through the pre-drilled holes of the right headboard leg (#2R) and the left headboard leg (#2L) and secure those bolts using the Allen wrench (#E) to lock them with the headboard (#1).

#A x 8 pcs
#C x 8 pcs
#D x 8 pcs



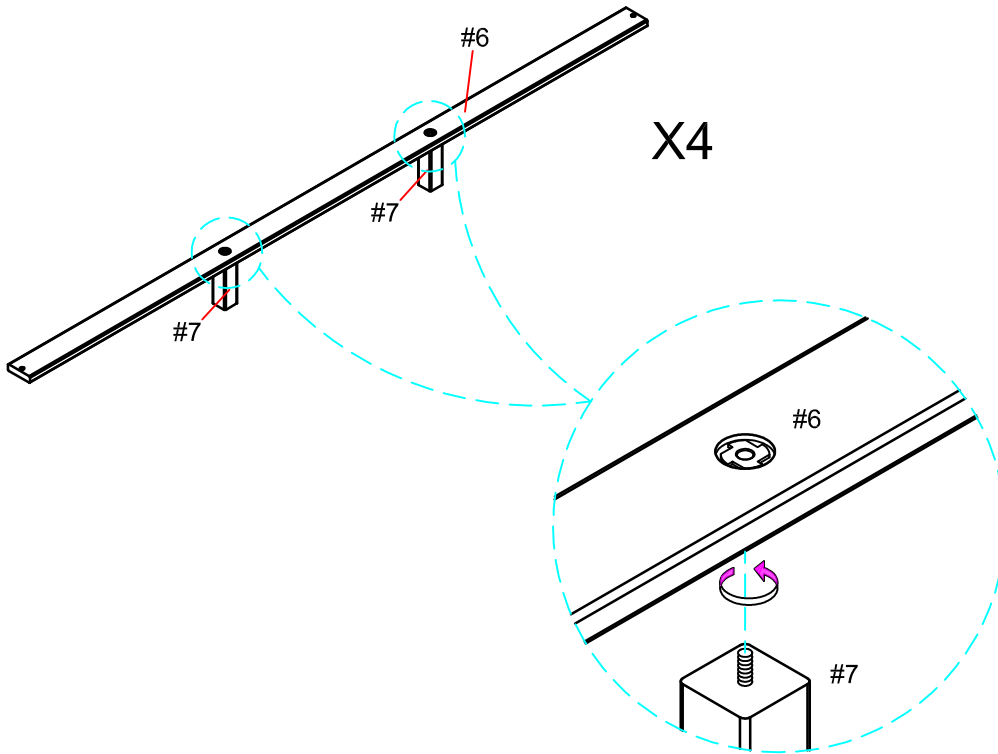
#F x 8 pcs
#G x 8 pcs
#H x 8 pcs



- I. Insert 4 threaded studs (#F) into the headboard legs (#2R & #2L) AND 4 threaded studs (#F) into the footboard (#4).
- II. Insert one side rail (#5) onto the two threaded studs (#F) on the right headboard leg (#2R). Then insert two beveled washers (#H) onto the threaded studs (#F) and secure with the two hex nuts (#G) using the wrench (#I) to tighten. Repeat the process to secure the other side rail (#5) onto the left headboard leg (#2L).
- III. Insert the other end of the side rail (#5) onto the two threaded studs (#F) of the footboard (#4). Then insert two beveled washers (#H) onto the threaded studs (#F) and secure with the two hex nuts (#G) using the wrench (#I) to tighten. Repeat the process to secure the other side rail (#5) onto the other side of the footboard (#4).

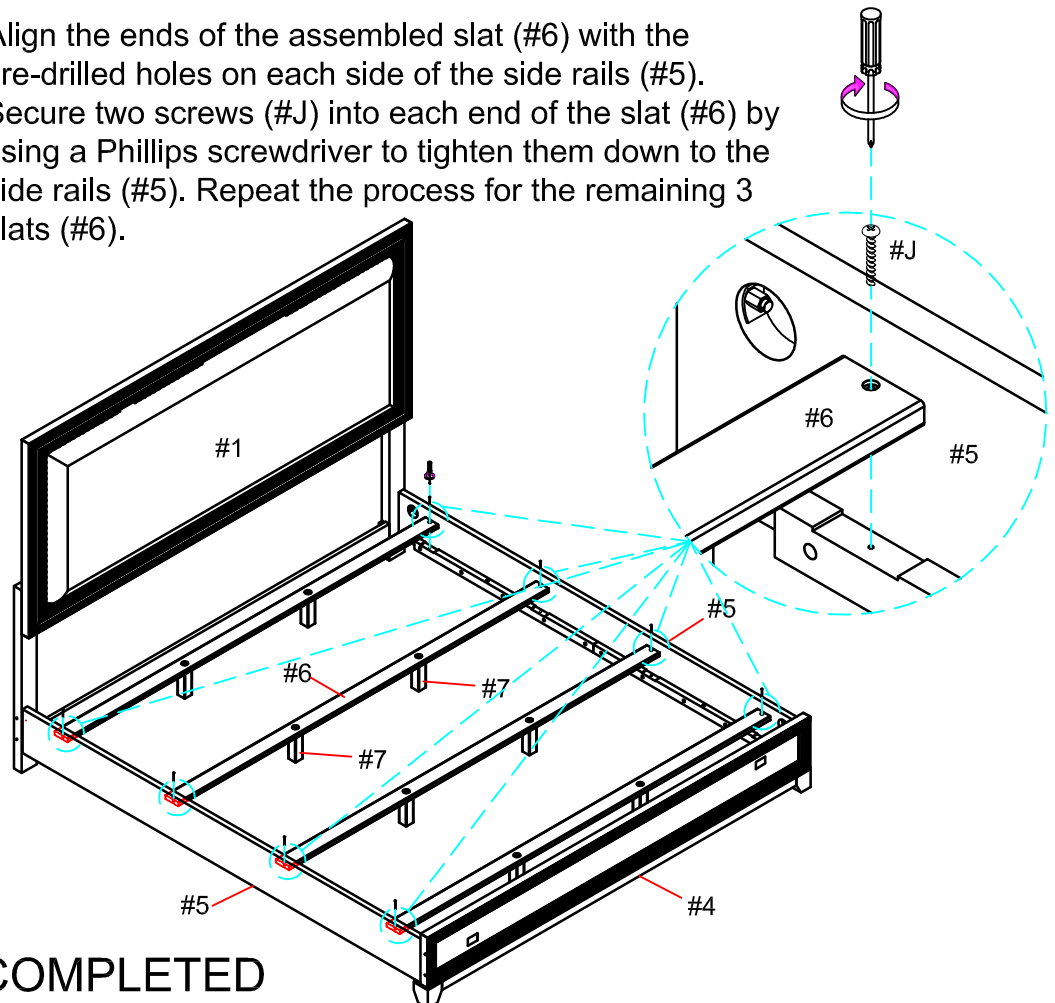


Each slat (#6) has two slat support legs (#7). Align the threaded end of the slat support legs (#7) with the pre-drilled holes of the slat (#6) and tighten by hand until secured. Repeat the process for attaching the remaining slat support legs (#7) onto the remaining slats (#6).



Align the ends of the assembled slat (#6) with the pre-drilled holes on each side of the side rails (#5). Secure two screws (#J) into each end of the slat (#6) by using a Phillips screwdriver to tighten them down to the side rails (#5). Repeat the process for the remaining 3 slats (#6).

#J x 8 pcs



ASSEMBLY IS COMPLETED