



**Furniture of America**<sup>®</sup>

E-Commerce by Enitial Lab

# ASSEMBLY INSTRUCTIONS

MODEL #

**CM7424-EK/CK/Q**

**Questions?**

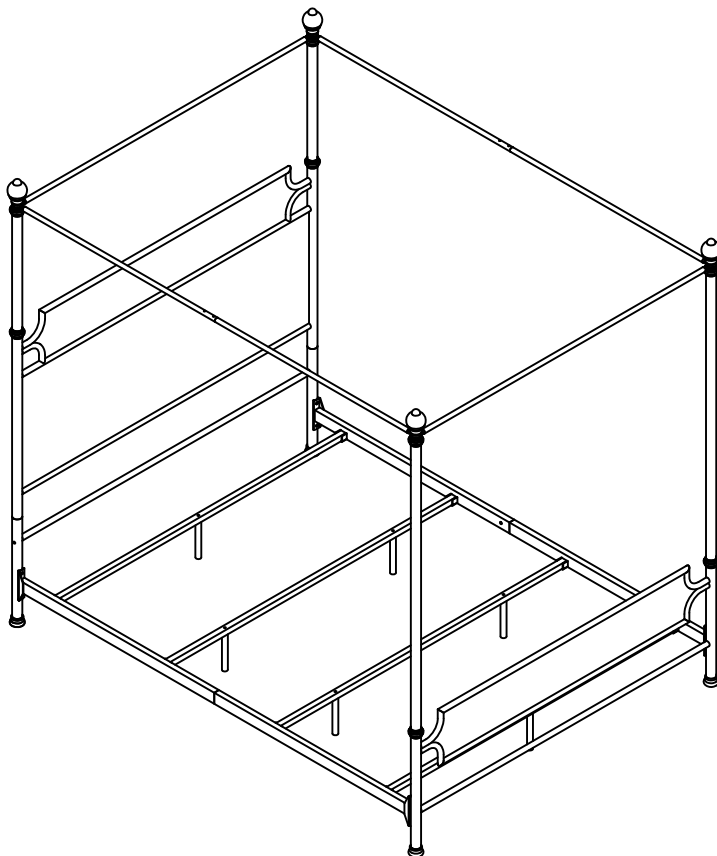
GIVE US CALL: 1-888-980-5122  
MON-FRI 8:30AM - 5:30PM (PST)

## TOOLS REQUIRED



Allen Wrench

(Included)



**3 - People Recommended**

## ASSEMBLY RATING



EASY —————> DIFFICULT

The Assembly Rating is a 5-point system showing the level of effort needed to assemble a specific product.





FOA Intro

Thank you for your purchase!

We hope you enjoy this new addition to your home for many years to come.

Our commitment to providing quality products does not simply end when you purchase our product. We fully stand behind our products from start to finish. Our customer service department is available Monday – Friday 8:30 AM – 5:30 PM Pacific and can help with assembly questions as well as, if necessary, replacing damaged or missing parts. To help expedite our service, please have these assembly instructions readily available, along with your order receipt.


 **Consumer Hotline**  
Toll-Free 1-888-980-5122

 **Monday to Friday**  
8:30AM- 5:30PM (PST)

 **WEBSITE**  
[www.foagroup.com](http://www.foagroup.com)

 **E-MAIL**  
[cs.ec@foagroup.com](mailto:cs.ec@foagroup.com)

    foagroup

 FurnitureOfAmerica

---

## CHECK BEFORE STARTING

**Are you missing anything?**

Double-check all parts, hardware and accessories listed on Page 6 are accounted for.

**Check out our Quick Tips!**

We recommend reviewing the pre-assembly handouts. Even experts need a refresher now and then!

**Should we send any replacements?**

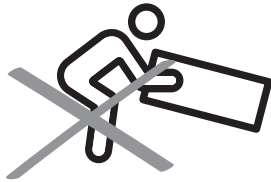
Are there any irregularities or flaws in the parts? We can send replacements!

**Prep Time!**

Please review the assembly instructions and all diagrams prior to assembling. Arrange parts as recommended on Page 7 and group identical hardware together to make assembling easier.

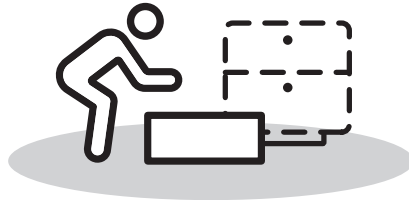
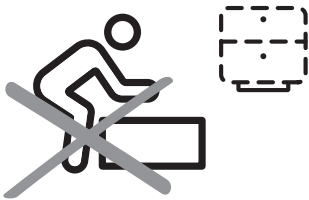
# PRE ASSEMBLY INTRODUCTION

We understand building ready-to-assemble furniture can be a challenging experience for some. To help avoid confusion, we have provided some helpful tips that may speed up the process.



## Teamwork

ALWAYS have at least two people to help with transporting and assembling the product to avoid potential injury and/or damage.



## Suitable Location

Assembling near the area of the intended location is highly recommended.



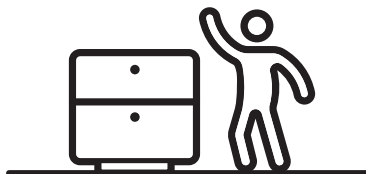
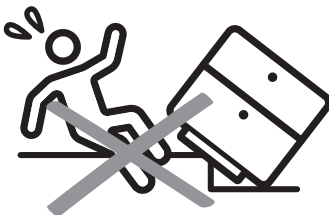
## Sufficient Space

Make sure you have enough space to move around during the assembly.



## Avoid Scratches

Use cardboard, blankets or a carpeted area while assembling furniture to prevent scratches.



## Flat Surface

Make sure the furniture rests on a flat and level surface with each leg evenly touching the floor.

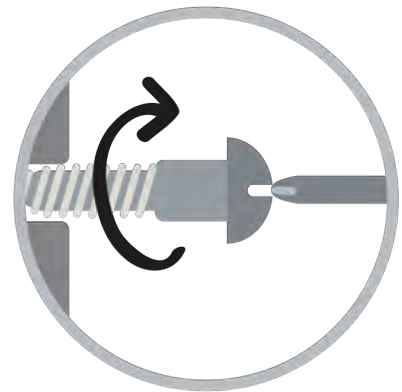
# ASSEMBLY AND CARE ADVICE



**FAILURE TO FOLLOW THE GUIDELINES BELOW MAY RESULT IN INJURY AND/OR PROPERTY DAMAGE.**



Position each part correctly and insert screws or bolts into their respective holes.

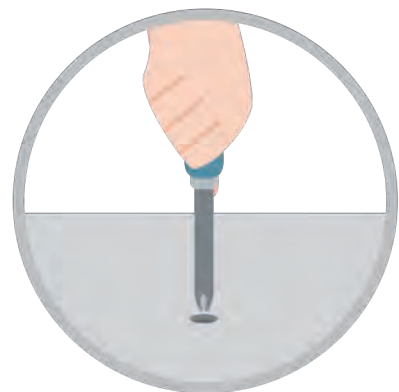


Turn clockwise to tighten and only tighten when step is completed or when instructed to do so.



Save the instructions and store any supplied tools for later maintenance.

Use the appropriate hand tools or power tools for assembly. Select steps, such as tightening screws and/or bolts, may require hand tools to avoid causing damage during assembly.



After two weeks, check and tighten any loose hardware and repeat again every six months thereafter.

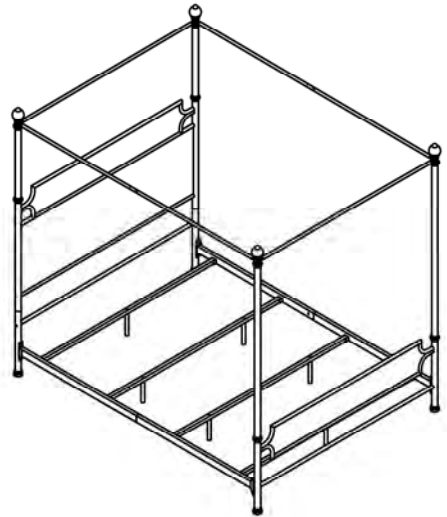
**IT IS THE USER'S RESPONSIBILITY TO MAINTAIN THE FURNITURE. THE HARDWARE MAY LOOSEN OVER TIME AND MAY CAUSE THE FURNITURE TO BE WOBBLY AND UNABLE TO SUPPORT ITS INTENDED WEIGHT CAPACITY. THIS MAY LEAD TO COLLAPSE AND MAY CAUSE SERIOUS INJURY.**

# BED

CM7424-EK/CK/Q

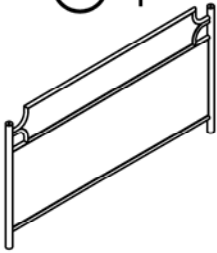


- Please keep instructions for future reference.
- Check the quantity and irregularity of parts and hardware before you start.



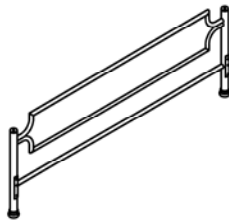
## PARTS

#1 1pc



Headboard

#2 1pc



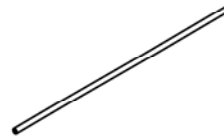
Footboard

#3 1pc



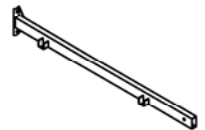
Headboard Leg

#4 1pc



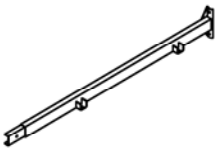
Headboard Leg Support

#5 2pcs



Side Rail A Support

#6 2pcs



Side Rail B

#7 2pcs



Slat A

#8 2pcs



Slat B

#9 6pcs



Slat Support Leg

#10 2pcs



Upper Posts For Headboard

#11 2pcs



Upper Posts For Footboard

#12 2pcs



Short Canopy Tubes

#13 2pcs



Long Canopy Tubes

#14 2pcs



Long Canopy Tubes

#15 4pcs



Finial

## HARDWARE

#A 30pcs



Bolt 1/4" x 1/2"

#B 6pcs



Bolt 1/4" x 1-3/4"

#C 2pcs



Bolt 1/4" x 2-1/4"

#D 32pcs



Flat Washer  $\phi$ 16mm

#E 4pc



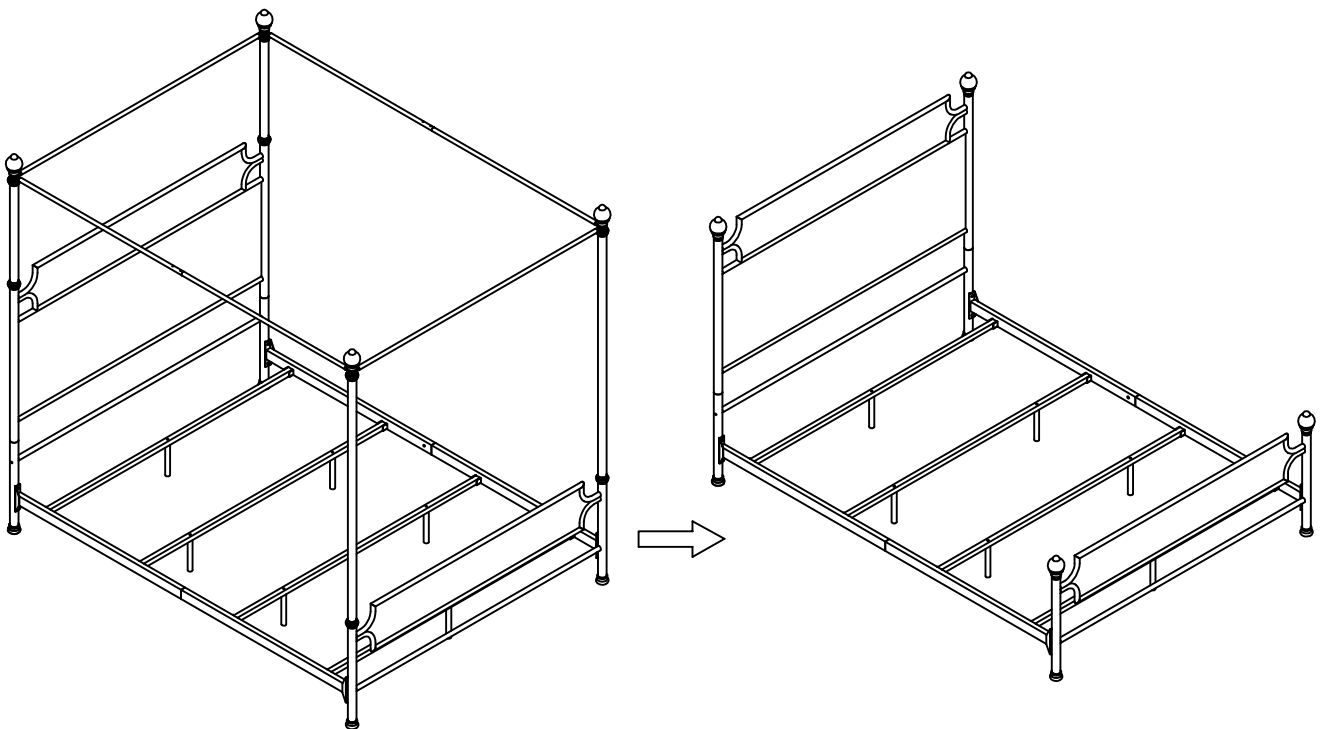
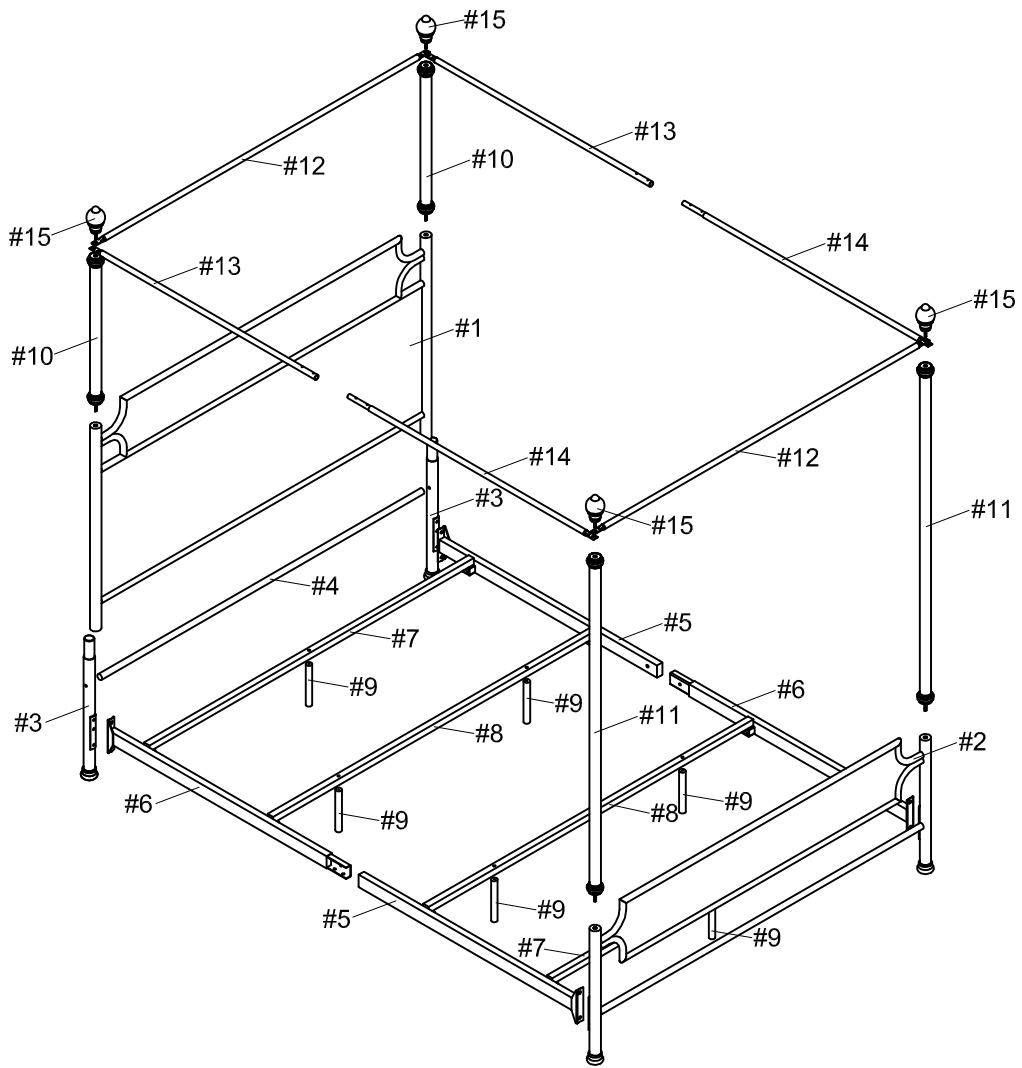
Flat Washer  $\phi$ 34mm

#F 1pc



Allen Wrench M4

# Exploded View



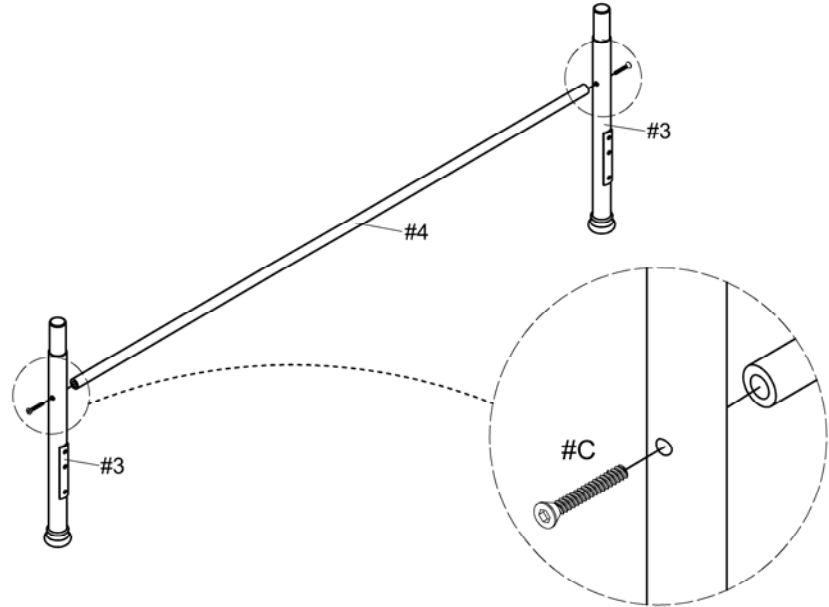
# ASSEMBLY INSTRUCTIONS

## 1

- Part #3 x2pcs
- Part #4 x1pc
- Hardware #C x2pcs
- Hardware #F x1pc

Align headboard leg support (#4) to the headboard legs (#3), then secure by using bolts (#C).

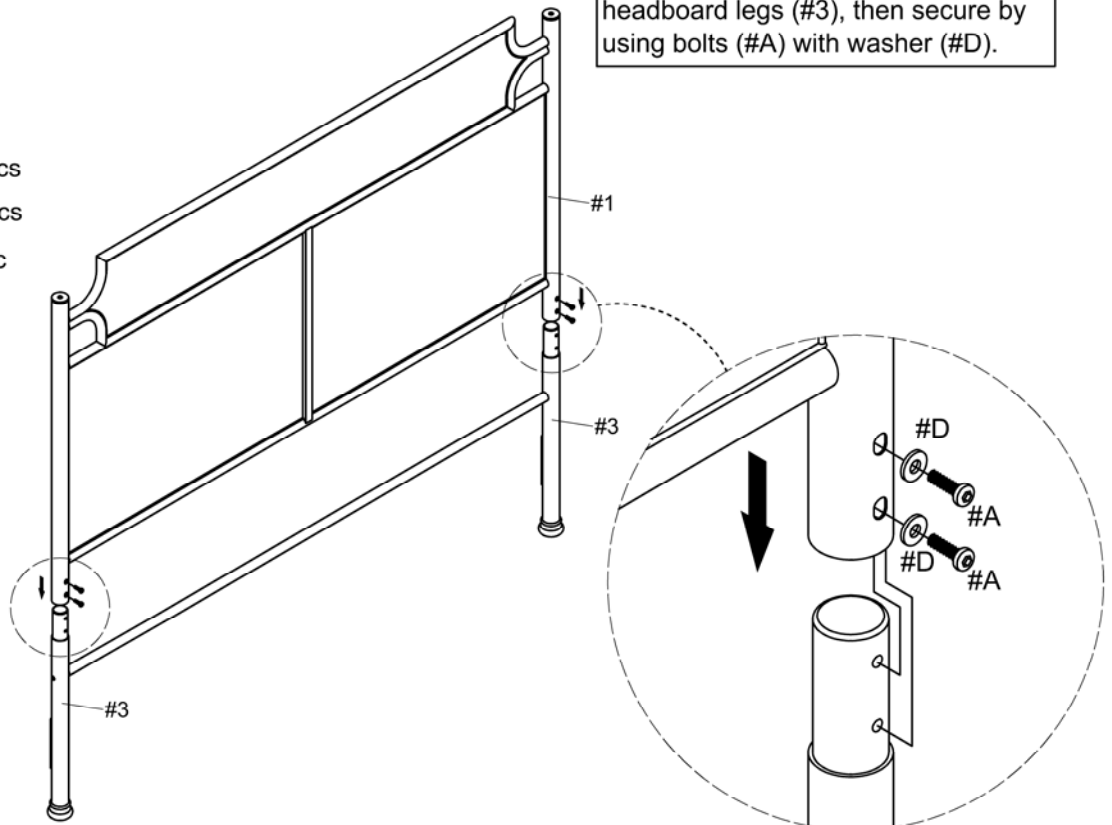
Note:  
Do not fully tighten all bolts until assembly is complete. This will help all parts to assemble properly.



## 2

- Part #1 x1pc
- Hardware #A x4pcs
- Hardware #D x4pcs
- Hardware #F x1pc

Align and attach headboard (#1) to headboard legs (#3), then secure by using bolts (#A) with washer (#D).

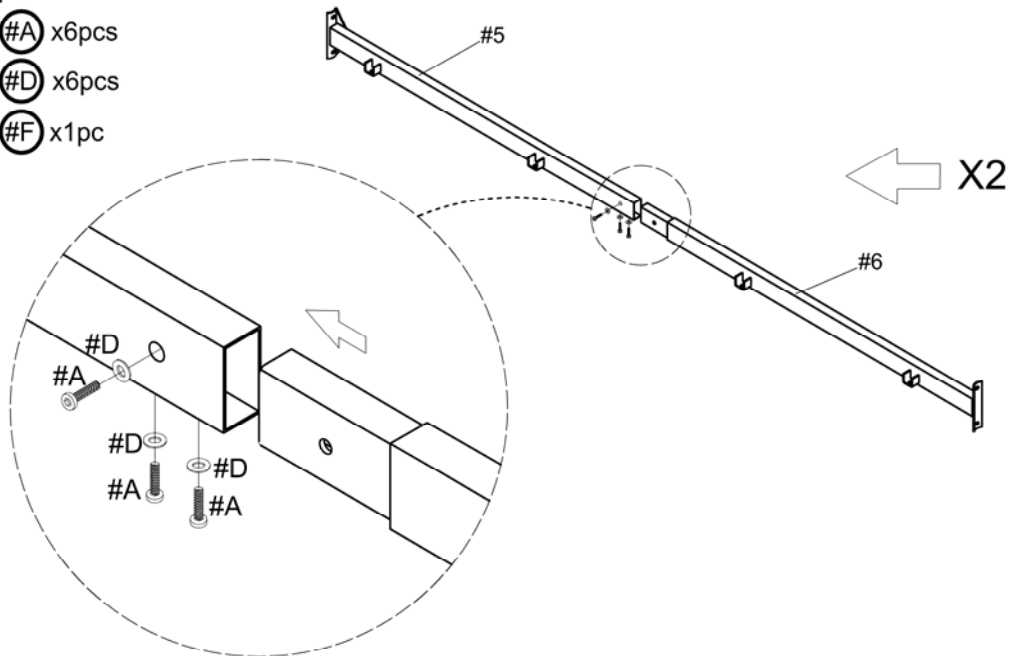


# ASSEMBLY INSTRUCTIONS

## 3

- Part #5 x2pcs
- Part #6 x2pcs
- Hardware #A x6pcs
- Hardware #D x6pcs
- Hardware #F x1pc

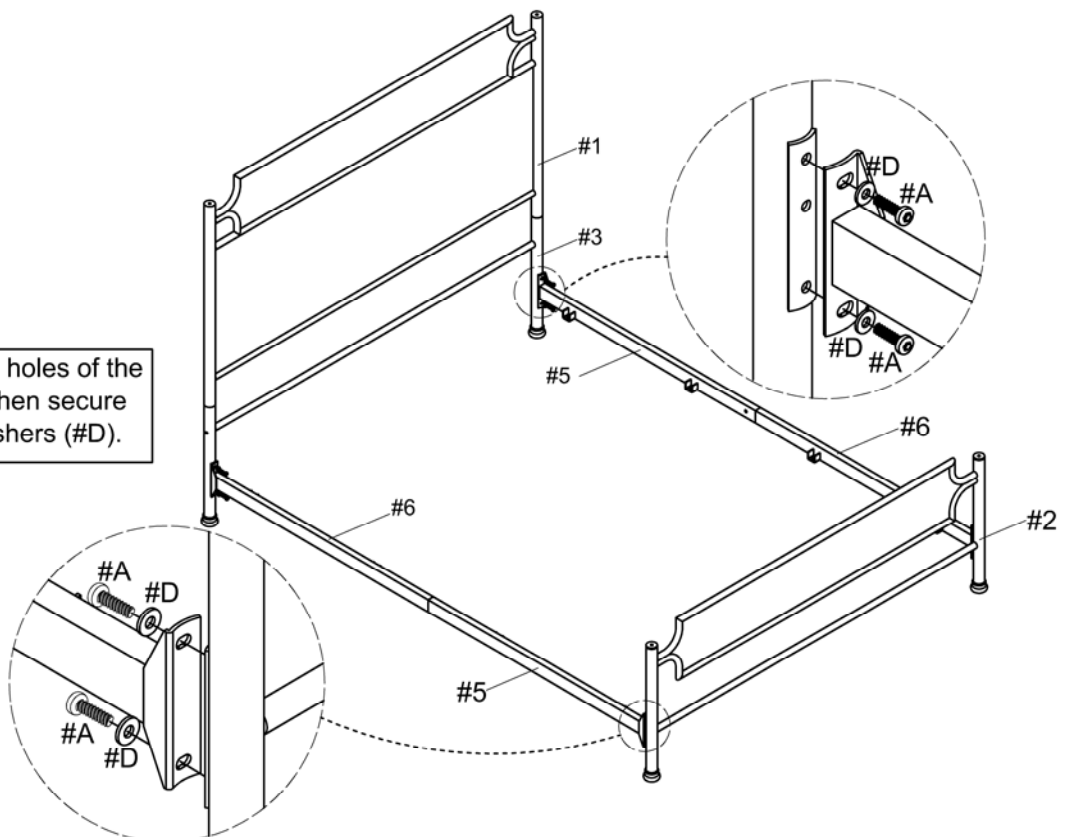
Align and attach side rails (#5) to side rails (#6), then secure by using bolts (#A) with washers (#D).



## 4

- Part #2 x1pc
- Hardware #A x 8pcs
- Hardware #D x 8pcs
- Hardware #F x1pc

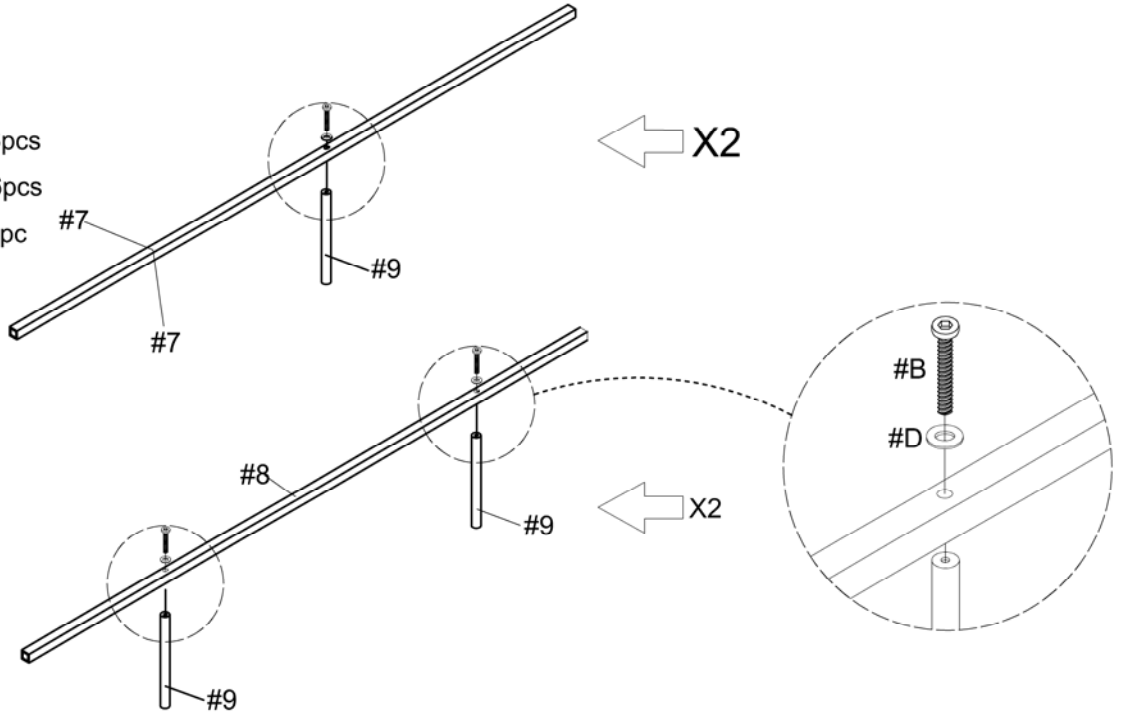
Align side rails (#5,6) to the holes of the headboard and footboard, then secure by using bolts (#A) with washers (#D).



# ASSEMBLY INSTRUCTIONS

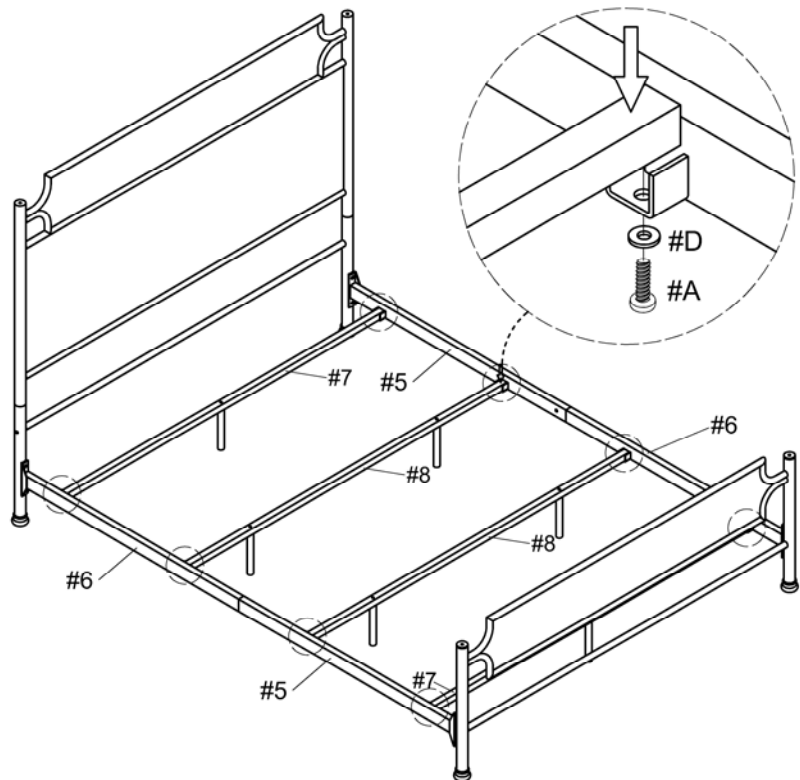
## 5

- Part #7 x2pcs
- Part #8 x2pcs
- Part #9 x6pcs
- Hardware #B x6pcs
- Hardware #D x6pcs
- Hardware #F x1pc



## 6

- Hardware #A x8pcs
- Hardware #D x8pcs
- Hardware #F x1pc



Align slats (#7,8) to the holes of the side rails (#5,6), then secure by using bolts (#A) with washers (#D).

# ASSEMBLY INSTRUCTIONS

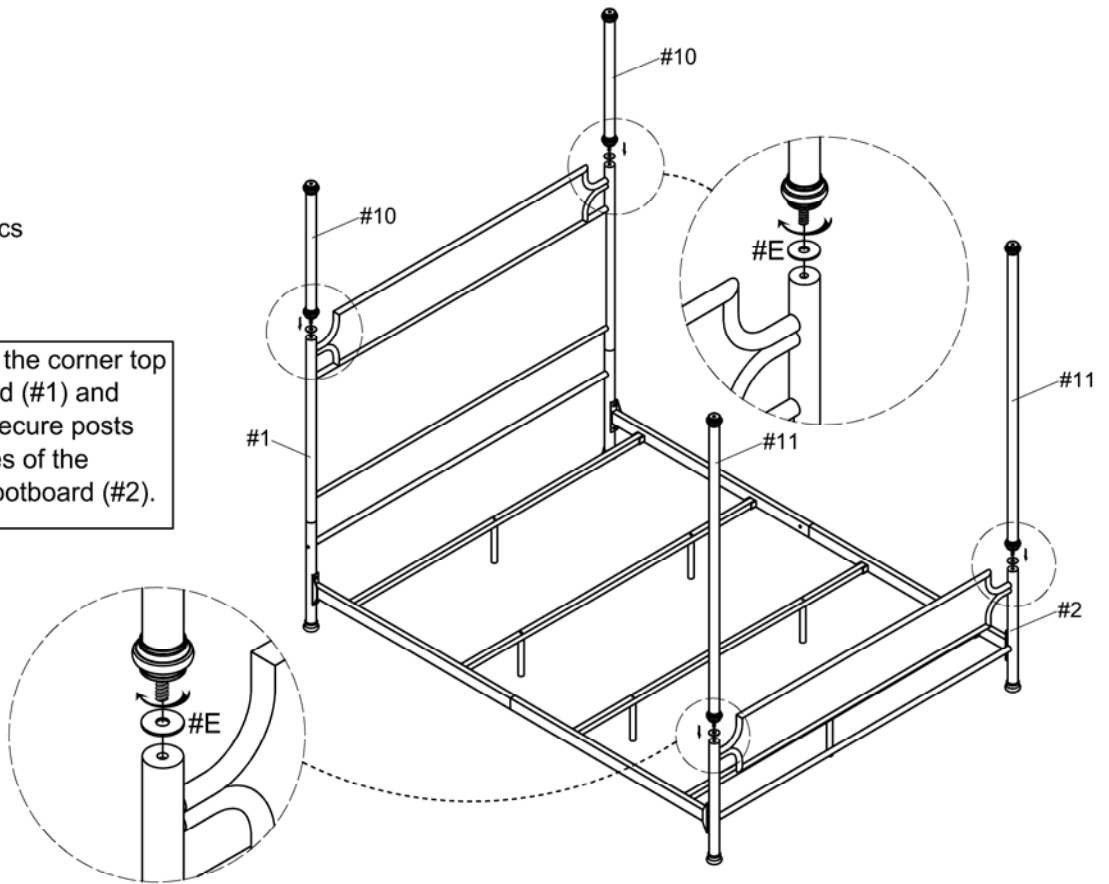
## 7

Part #10 x2pcs

Part #11 x2pcs

Hardware #E x4pcs

Align washers (#E) to the corner top holes of the headboard (#1) and footboard (#2), then secure posts (#10,11) onto the holes of the headboard (#1) and footboard (#2).



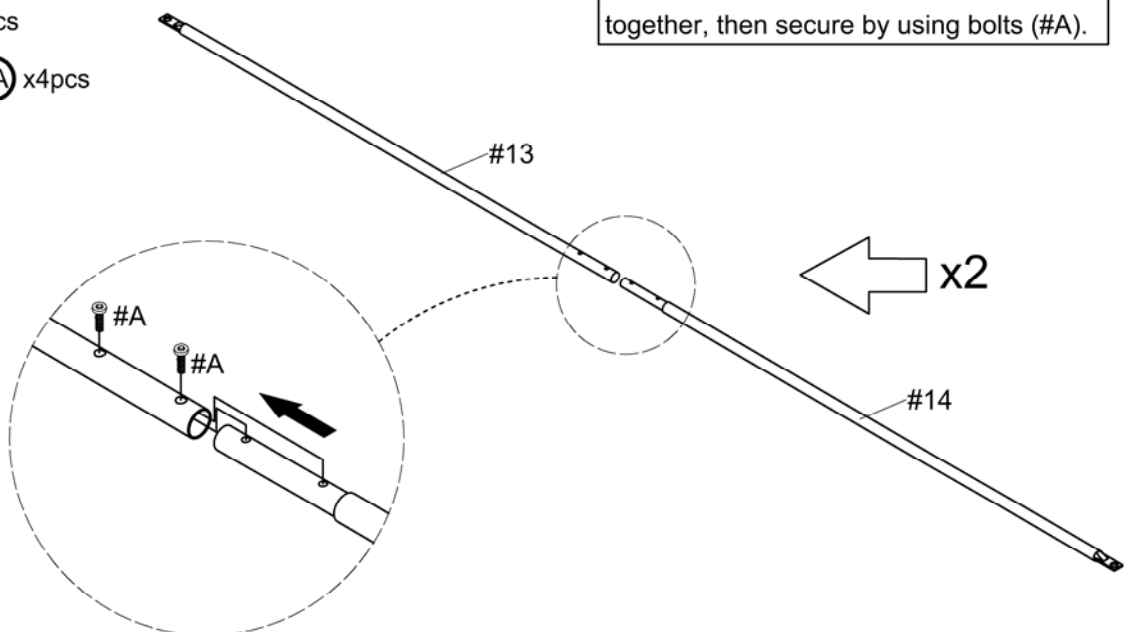
## 8

Part #13 x2pcs

Part #14 x2pcs

Hardware #A x4pcs

Align and attach canopy tubes (#13,14) together, then secure by using bolts (#A).

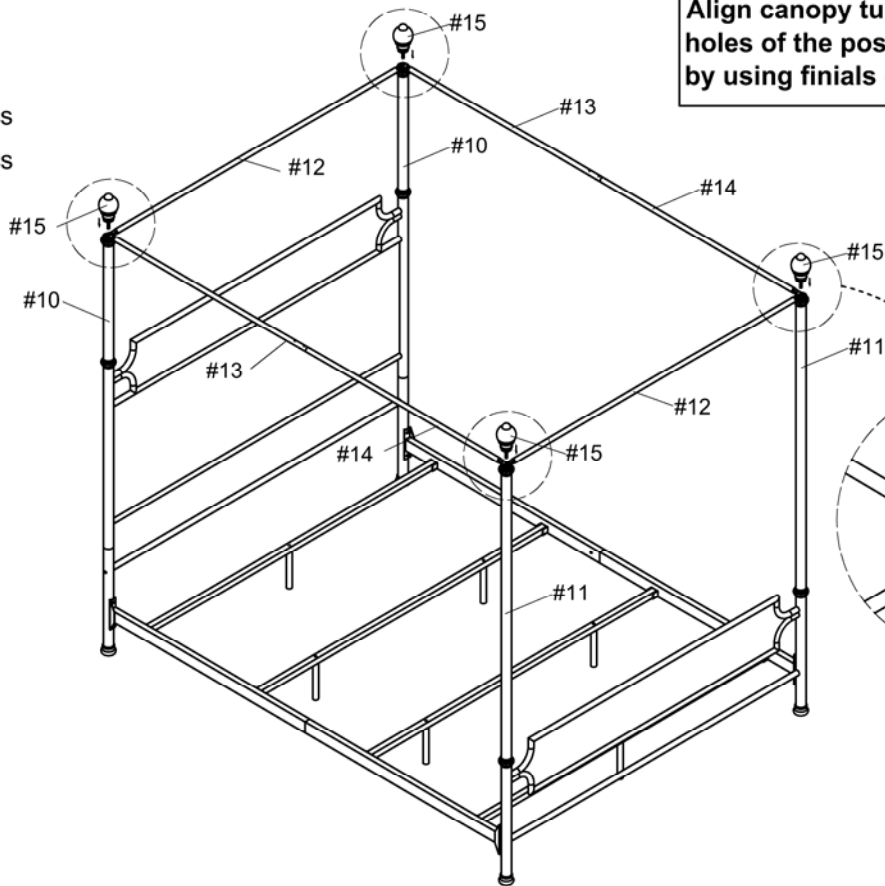


# ASSEMBLY INSTRUCTIONS

9

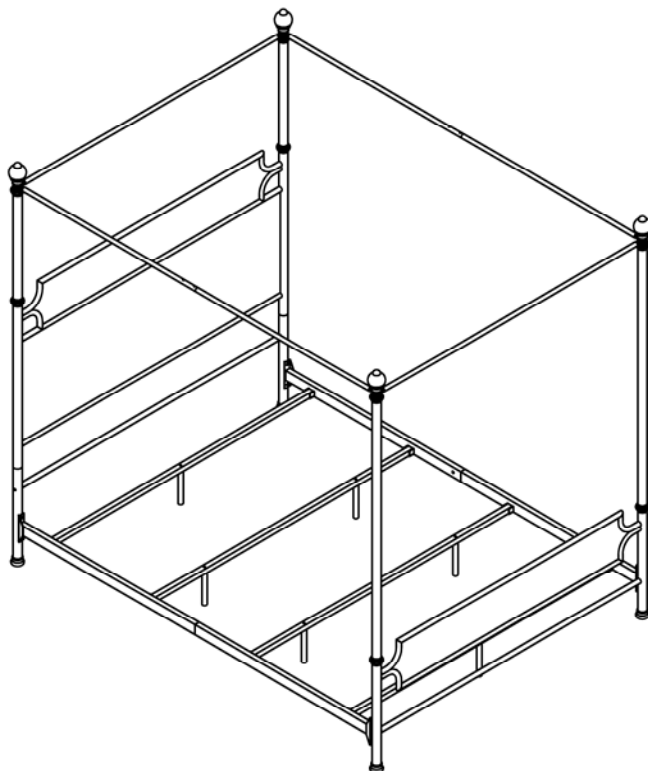
Part #12 x2pcs

Part #15 x2pcs



Align canopy tubes (#12,13,14) to the holes of the posts (#10,11), then secure by using finials (#15).

10



## ASSEMBLY COMPLETED



Please ensure the furniture rests on an even and flat surface. If the product wobbles or feels loose, double-check all bolts and/or screws are properly tightened and secured.



### Keep this handy!

Please retain this instruction manual and any order-related information for future reference.



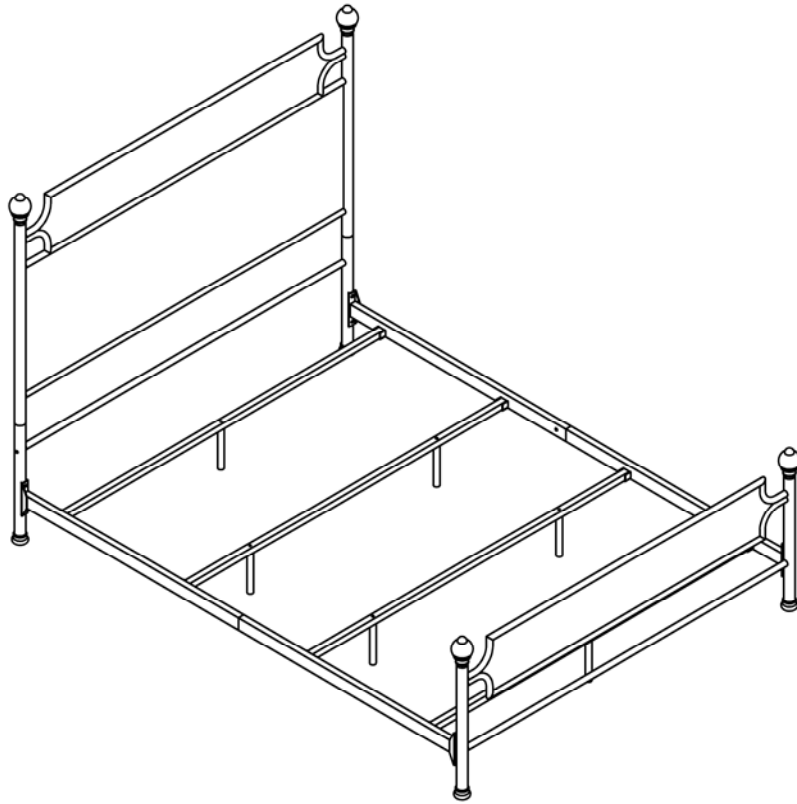
### Lift, don't drag!

To avoid damage to product please always LIFT the product when transporting or adjusting the placement.

# ASSEMBLY INSTRUCTIONS

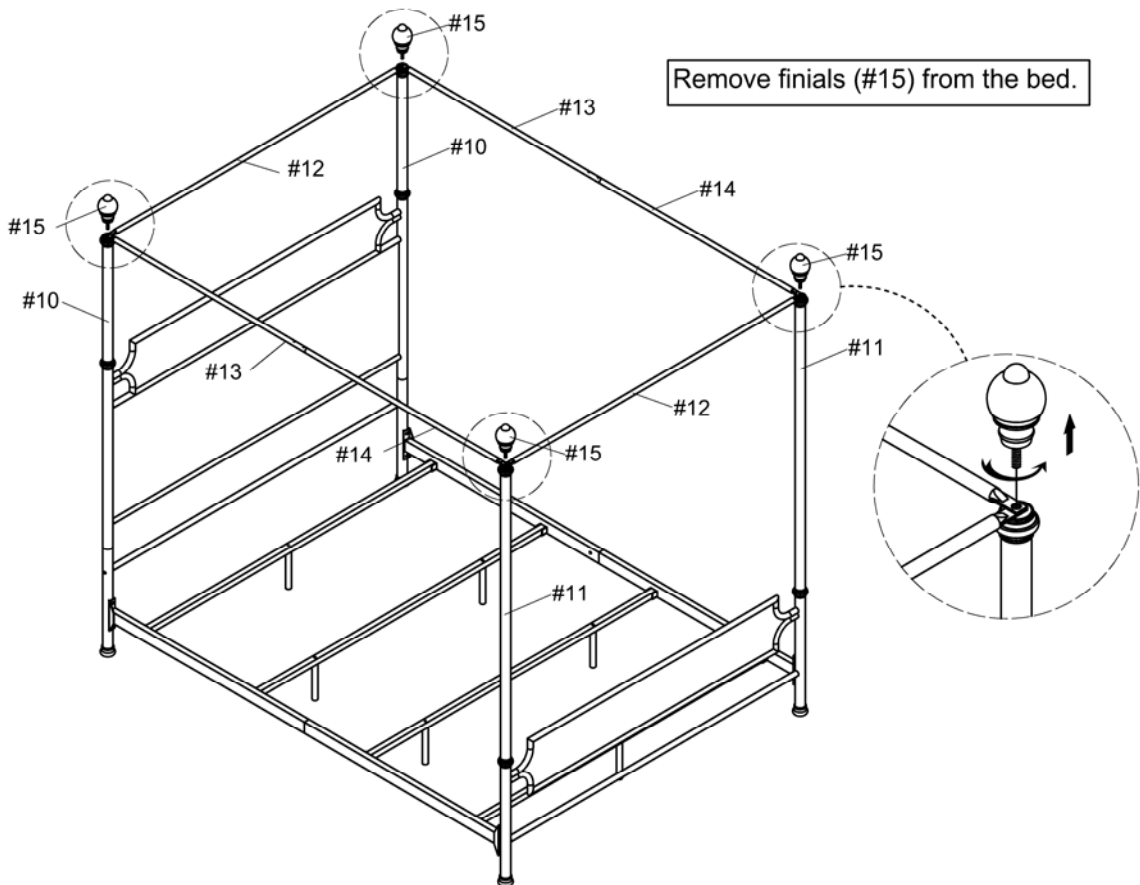
11

STEPS 14-17 IS HOW TO DETACH CANOPY FROM BED.



12

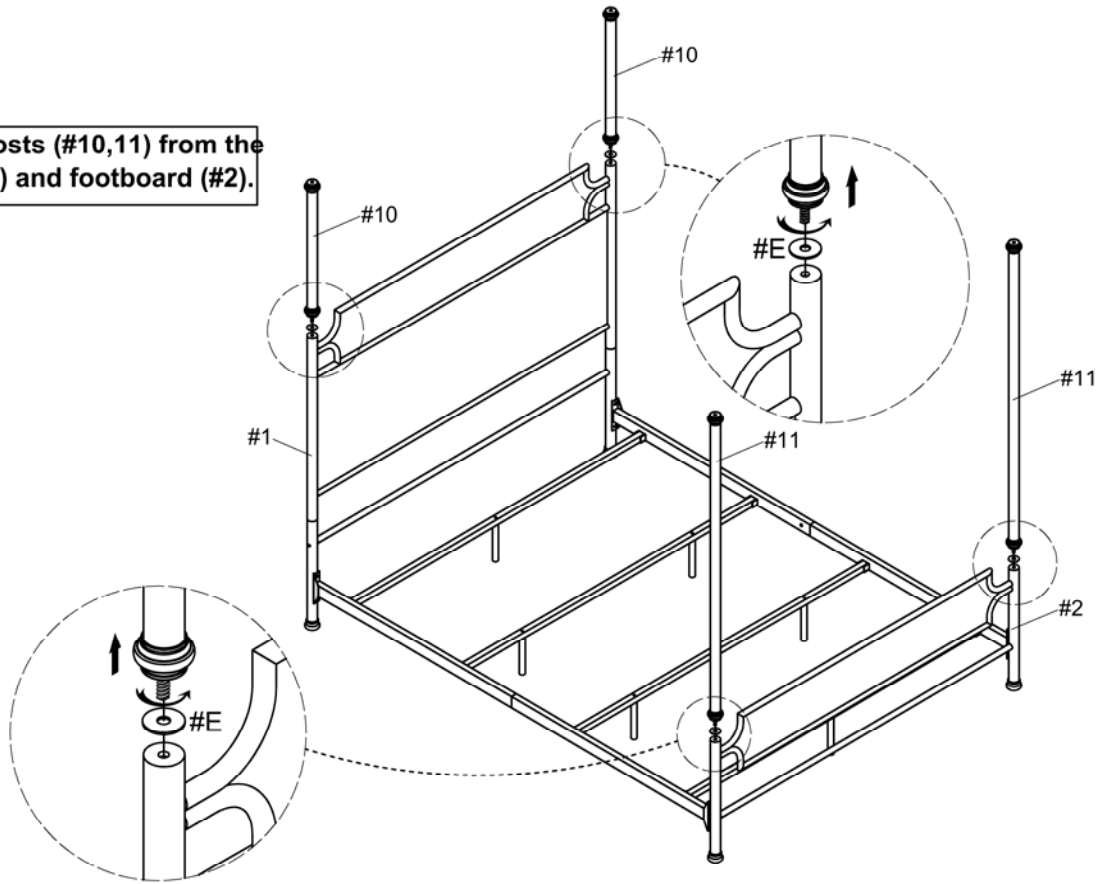
Remove finials (#15) from the bed.



# ASSEMBLY INSTRUCTIONS

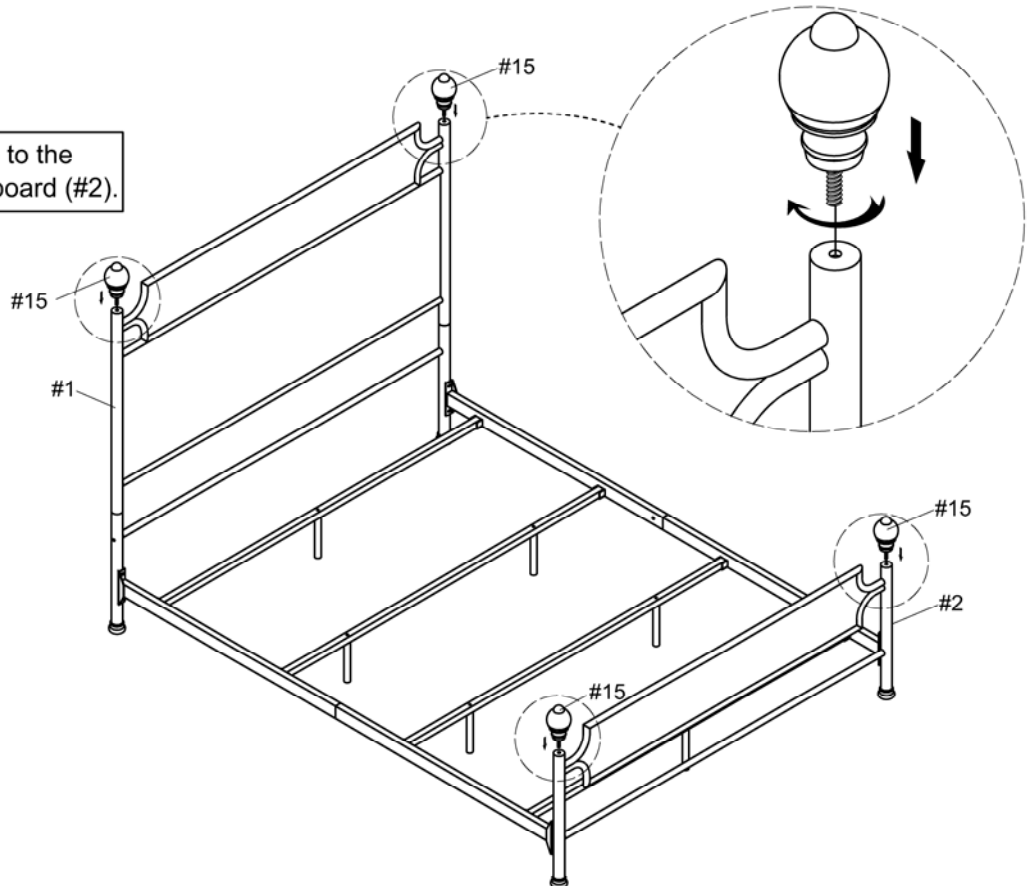
## 13

Remove the posts (#10,11) from the headboard (#1) and footboard (#2).



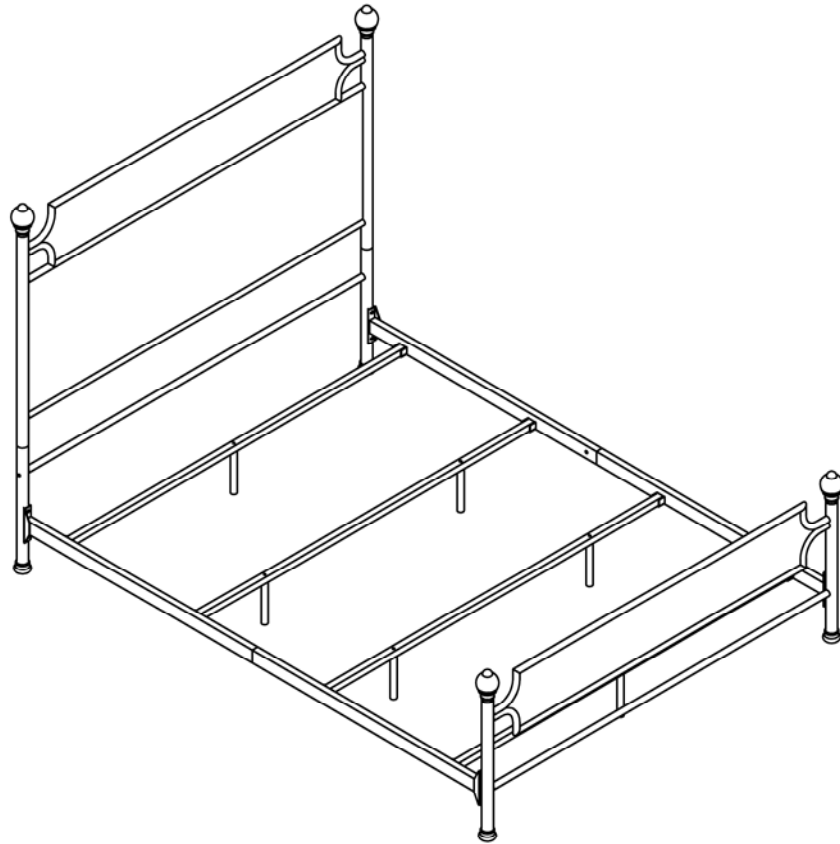
## 14

Reattach the finials (#15) to the headboard (#1) and footboard (#2).



# ASSEMBLY INSTRUCTIONS

15



## WARNINGS:

- Do not remove warning label from bed.
  - Use only mattress which is 79"-80" long and 75"-76"wide.(ITEM NO:CM7424EK)
  - Use only mattress which is 83"-84" long and 71"-72"wide.(ITEM NO:CM7424CK)
  - Use only mattress which is 79"-80" long and 59"-60"wide.(ITEM NO:CM7424Q)
  - Do not allow horseplay or under the bed and prohibit jumping on the bed.
  - Periodically check and ensure that all the omponents are in their proper position, free from damage, and that all connectors are tight.
  - Do not use substitute parts, Contact the store for replacement part.
  - Maximum total weight is not to exceed 600 lbs.
- **Keep these instructions for future reference.**

## ASSEMBLY COMPLETED



Please ensure the furniture rests on an even and flat surface. If the product wobbles or feels loose, double-check all bolts and/or screws are properly tightened and secured.



### Keep this handy!

Please retain this instruction manual and any order-related information for future reference.



### Lift, don't drag!

To avoid damage to product please always LIFT the product when transporting or adjusting the placement.