

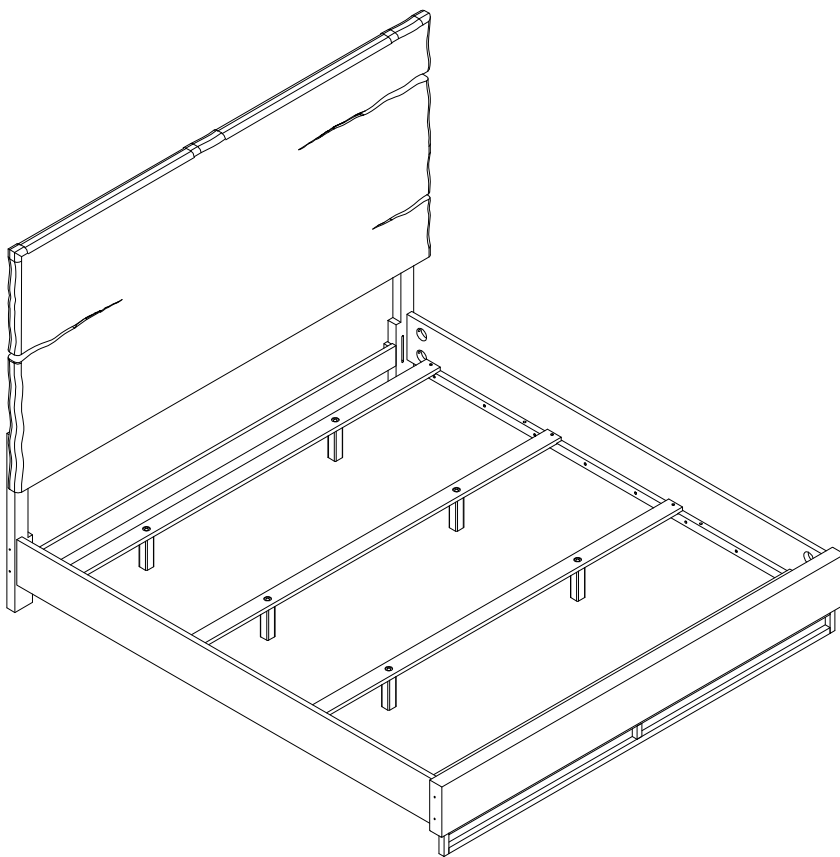
# ASSEMBLY INSTRUCTIONS

MODEL #

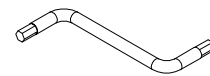
**CM7363CK/EK**

Questions?

GIVE US A CALL: 1-888-980-5122  
MON – FRI 8:30AM – 5:30PM (PT)

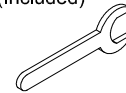


## TOOLS REQUIRED



Allen Wrench

(Included)



Wrench

(Included)



Phillips Screwdriver

(Not Included)



3 - People  
Recommended

## ASSEMBLY RATING



EASY → DIFFICULT

The Assembly Rating is a 5-point system showing the level of effort needed to assemble a specific product.




FOA Intro

Thank you for your purchase!

We hope you enjoy this new addition to your home for many years to come.

Our commitment to providing quality products does not simply end when you purchase our product. We fully stand behind our products from start to finish. Our customer service department is available Monday – Friday 8:30 AM – 5:30 PM Pacific Time and can help with assembly questions as well as, if necessary, replacing damaged or missing parts. To help expedite our service, please have these assembly instructions readily available, along with your order receipt.

 **Consumer Hotline**  
Toll-Free 1-888-980-5122

 **Monday to Friday**  
8:30AM- 5:30PM (PT)

 **WEBSITE**  
[www.foagroup.com](http://www.foagroup.com)

 **E-MAIL**  
[cs.ec@foagroup.com](mailto:cs.ec@foagroup.com)

    foagroup

 FurnitureOfAmerica

---

## CHECK BEFORE STARTING

**Are you missing anything?**  
Double-check all parts, hardware and accessories listed are all accounted for.

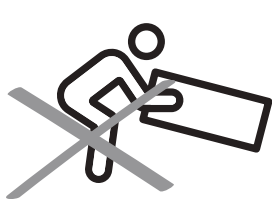
**Check out our Quick Tips!**  
We recommend reviewing the pre-assembly handouts. Even experts need a refresher now and then!

**Should we send any replacements?**  
Are there any irregularities or flaws in the parts? We can send replacements!

**Prep Time!**  
Please review the assembly instructions and all diagrams prior to assembling.

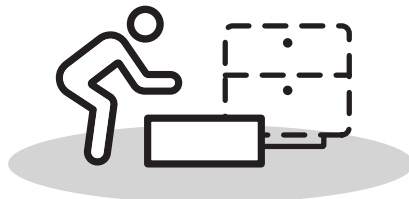
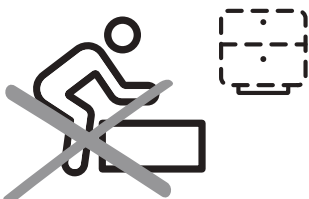
# PRE ASSEMBLY INTRODUCTION

We understand building ready-to-assemble furniture can be a challenging experience for some. To help avoid confusion, we have provided some helpful tips that may speed up the process.



## Teamwork

ALWAYS have at least two people to help with transporting and assembling the product to avoid potential injury and/or damage.



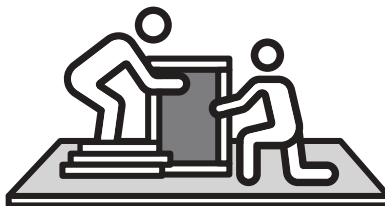
## Suitable Location

Assembling near the area of the intended location is highly recommended.



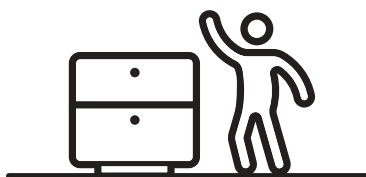
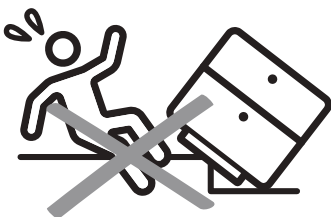
## Sufficient Space

Make sure you have enough space to move around during the assembly.



## Avoid Scratches

Use cardboard, blankets or a carpeted area while assembling furniture to prevent to prevent scratches and damages.



## Flat Surface

Make sure the furniture rests on a flat and level surface with each leg evenly touching the floor.

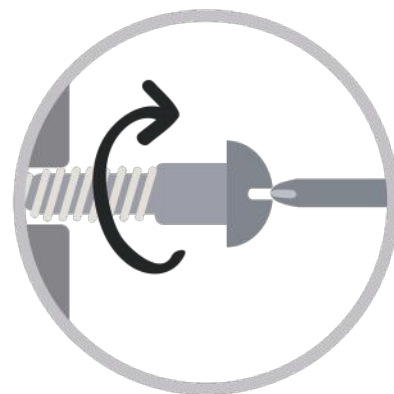
# ASSEMBLY AND CARE ADVICE



**FAILURE TO FOLLOW THE GUIDELINES BELOW MAY RESULT IN INJURY AND/OR PROPERTY DAMAGE.**



Position each part correctly and insert screws or bolts into their respective holes.



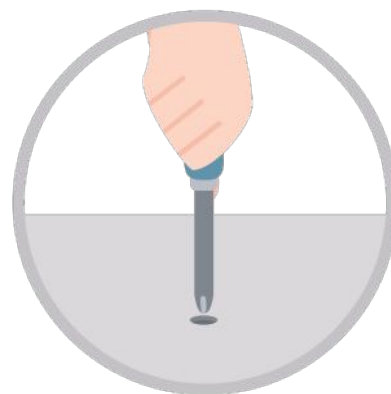
Turn clockwise to tighten and only tighten when step is completed or when instructed to do so.



Use the appropriate hand tools or power tools for assembly. Select steps, such as tightening screws and/or bolts, may require hand tools to avoid causing damage during assembly.



Save the instructions and store any supplied tools for later maintenance.



After two weeks, check and tighten any loose hardware and repeat again every six months thereafter.

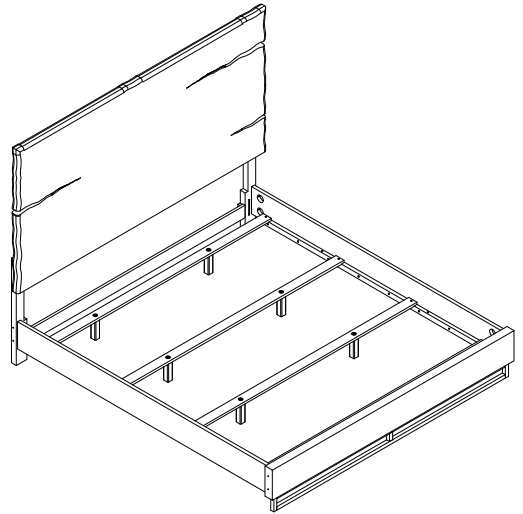
**IT IS THE USER'S RESPONSIBILITY TO MAINTAIN THE FURNITURE. THE HARDWARE MAY LOOSEN OVER TIME AND MAY CAUSE THE FURNITURE TO BE WOBBLY AND UNABLE TO SUPPORT ITS INTENDED WEIGHT CAPACITY. THIS MAY LEAD TO COLLAPSE AND MAY CAUSE SERIOUS INJURY.**

# BED

## CM7363CK/EK

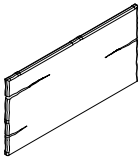


- Please keep instructions for future reference.
- Check the quantity and irregularity of parts and hardware before you start.



### PARTS

#1 1pc



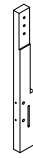
Headboard

#2R 1pc



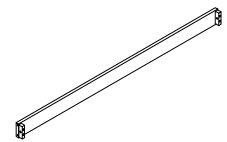
Right H/Board Leg

#2L 1pc



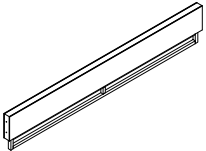
Left H/Board Leg

#3 1pc



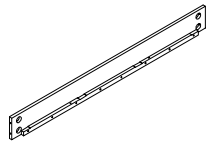
Leg Support

#4 1pc



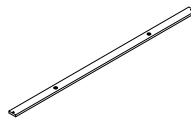
Footboard

#5 2pcs



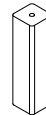
Side Rail

#6 4pcs



Slat

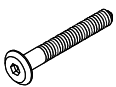
#7 8pcs



Slat Support Leg  
40x40x147mm

### HARDWARE

#A 8pcs



Bolt 1/4" x 1-3/4"

#B 8pcs



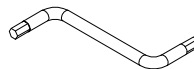
Lock Washer

#C 8pcs



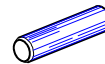
Flat Washer

#D 1pc



Allen Wrench

#E 4pcs



Dowel

#F 8pcs



Threaded Stud

#G 8pcs



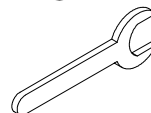
Hex Nut

#H 8pcs



Beveled Washer

#I 1pc



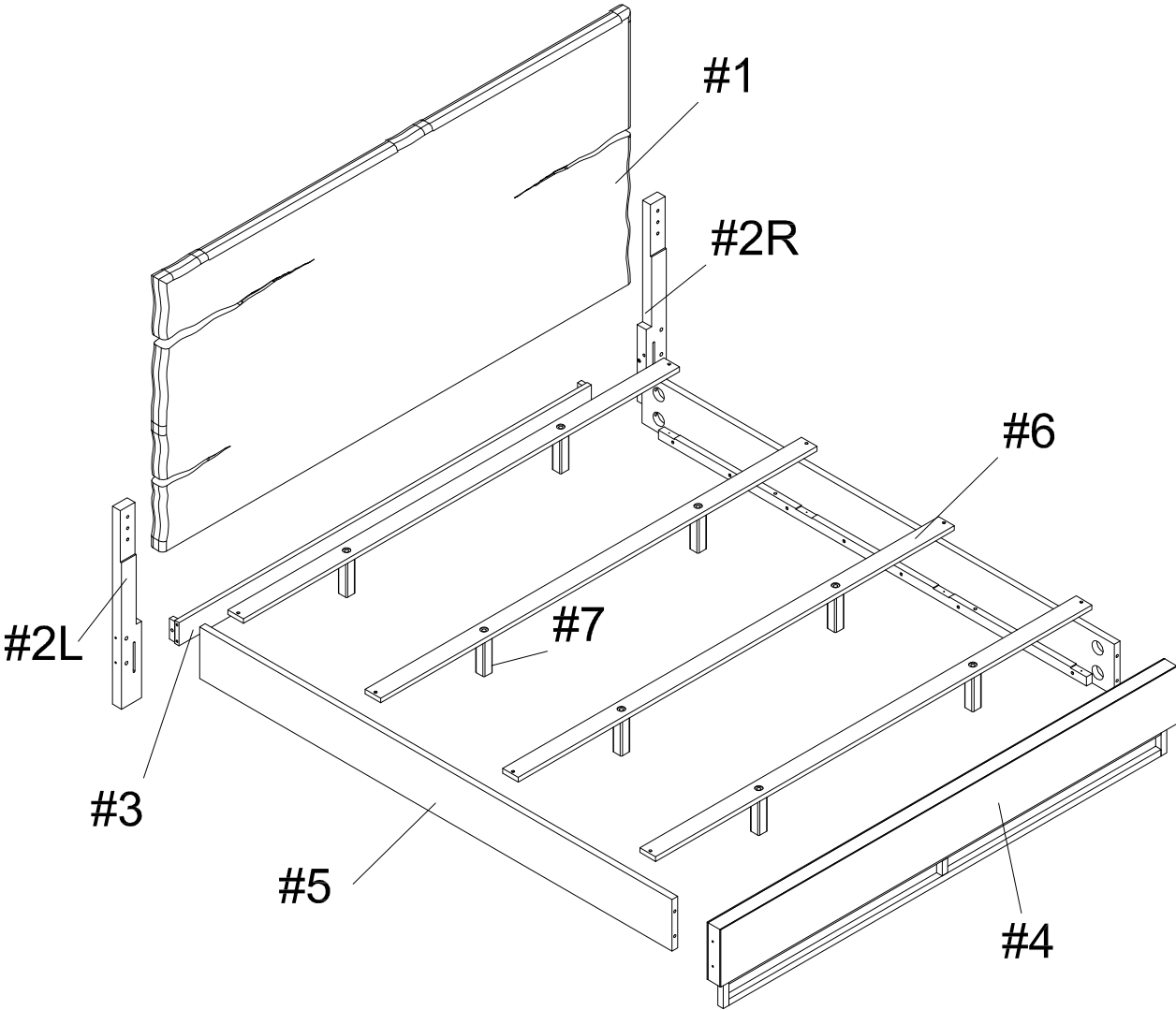
Wrench

#J 8pcs

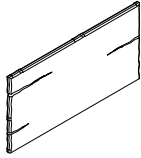
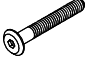

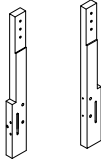

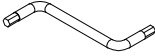
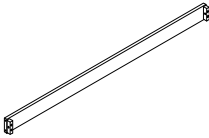
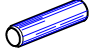
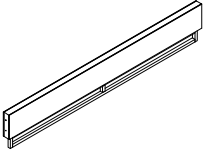
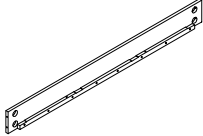


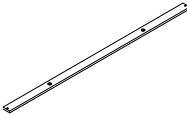






Screw 1-1/4"

# Exploded View



## CM7363CK/EK is packed in 3 caces

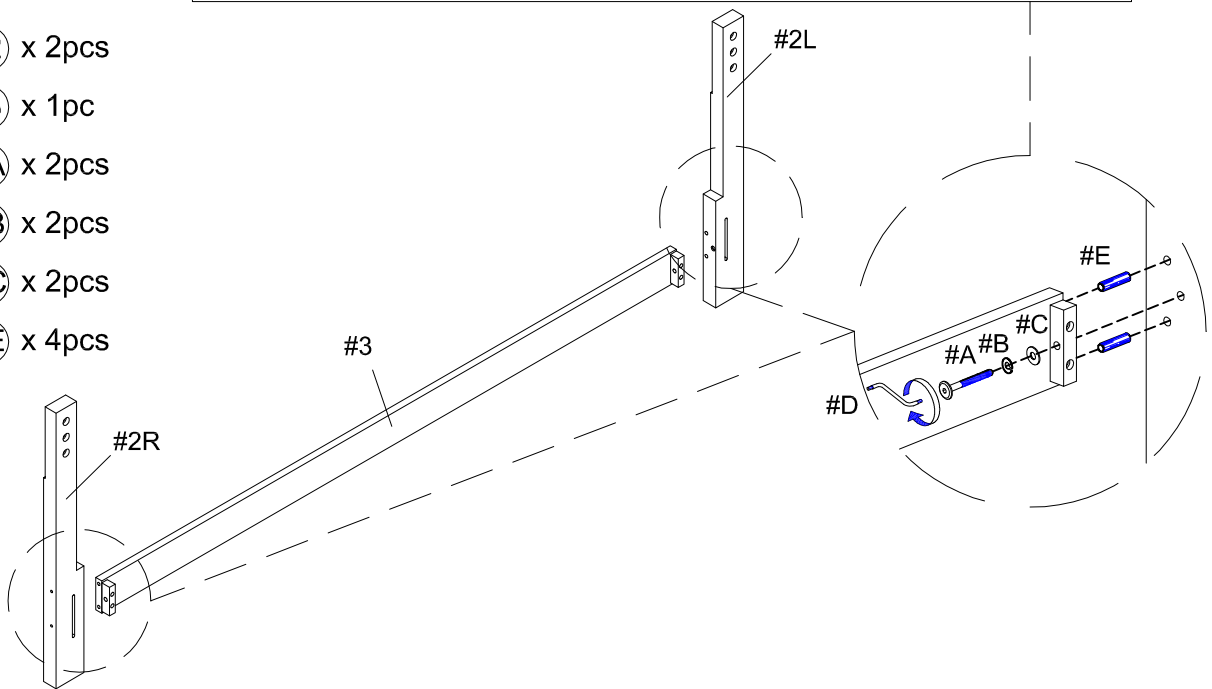
Carton	Disignation		Part	Hardware
CM7363CK-HB CM7363EK-HB	Headboard Panel	#1		 #A 8pcs  #B 8pcs
	HB Leg (L&R)	#2		 #C 8pcs  #D 1pc
	HB Support	#3		 #E 4pcs
CM7363CK-FB CM7363EK-FB	Footboard	#4		
CM7363CK-R CM7363EK-R	Side Rail	#5	 x 2	 #F 8pcs  #G 8pcs
	Bed Slat	#6	 x 4	 #H 8pcs  #I 1pc
	Support Leg	#7	 x 8	 #J 8pcs

# ASSEMBLY INSTRUCTIONS

## 1

1. Insert 2 dowels (#E) into each end of the leg support (#3), then insert the other ends into the left and right headboard leg (#2).
2. Insert a bolt (#A) with lock washer (#B) and flat washer (#C) into the inner holes. Secure using the Allen wrench (#D).

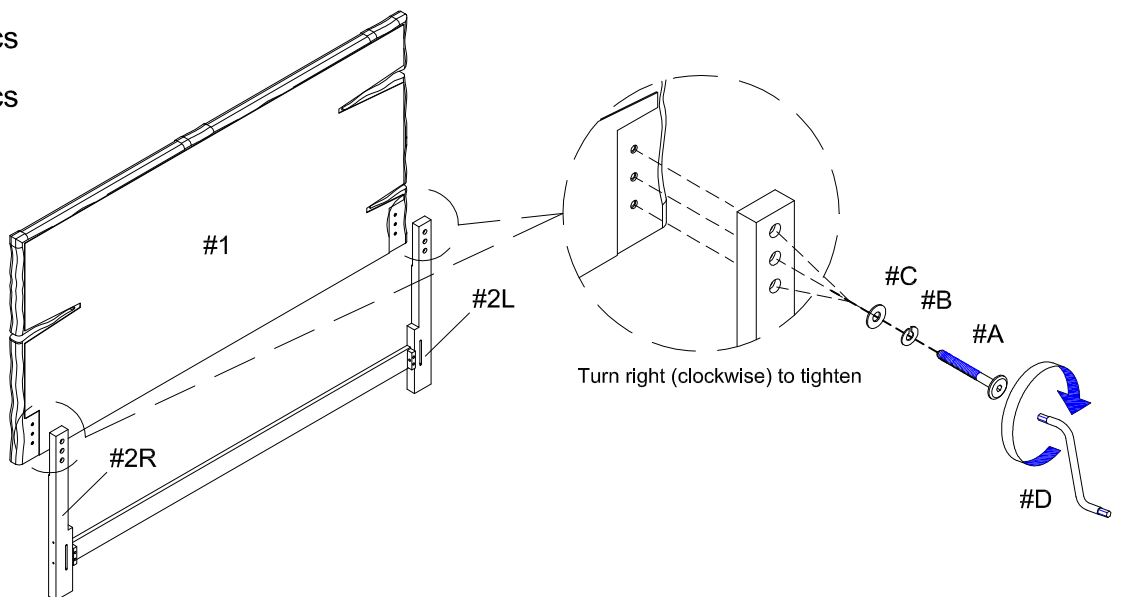
- Part #2 x 2pcs
- Part #3 x 1pc
- Hardware #A x 2pcs
- Hardware #B x 2pcs
- Hardware #C x 2pcs
- Hardware #E x 4pcs



## 2

1. Prepare 6 bolt assemblies by applying a lock washer (#B) onto the bolt (#A) then a flat washer (#C) onto the same bolt (#A).
2. Carefully place the headboard (#1) onto the top of the H/board legs (#2). Insert 6 bolt assemblies into each end of the legs (#2) and secure using the Allen wrench (#D).

- Part #1 x 1pc
- Hardware #A x 6pcs
- Hardware #B x 6pcs
- Hardware #C x 6pcs



# ASSEMBLY INSTRUCTIONS

## 3

Part #4 x 1pc

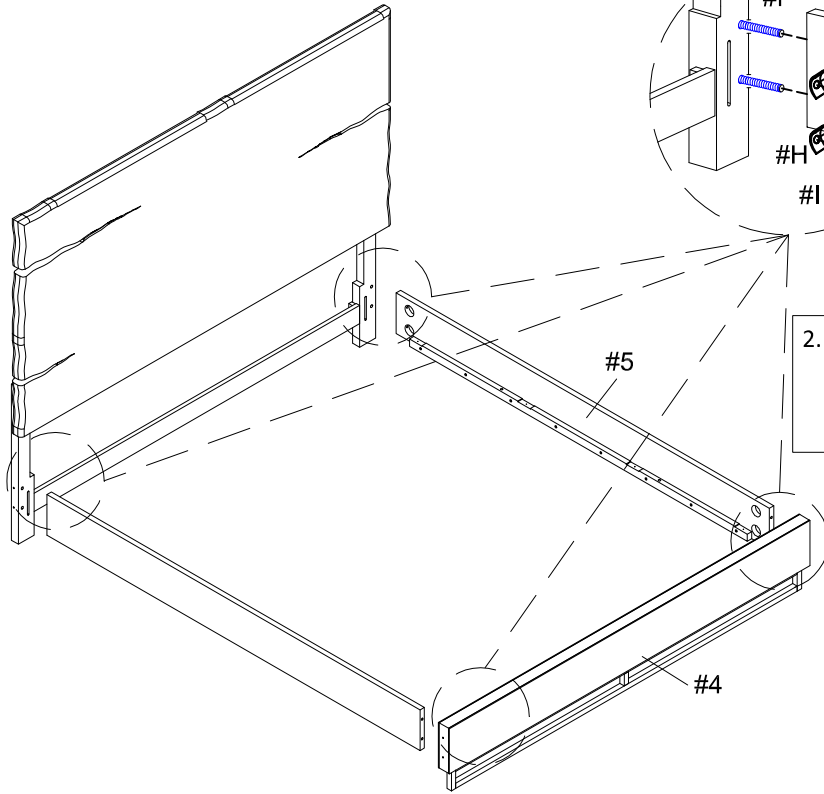
Part #5 x 2pcs

Hardware #F x 8pcs

Hardware #G x 8pcs

Hardware #H x 8pcs

1. Insert the threaded studs (#F) into the holes along the headboard legs (#2), then place each end of the side rails (#5) onto those studs.



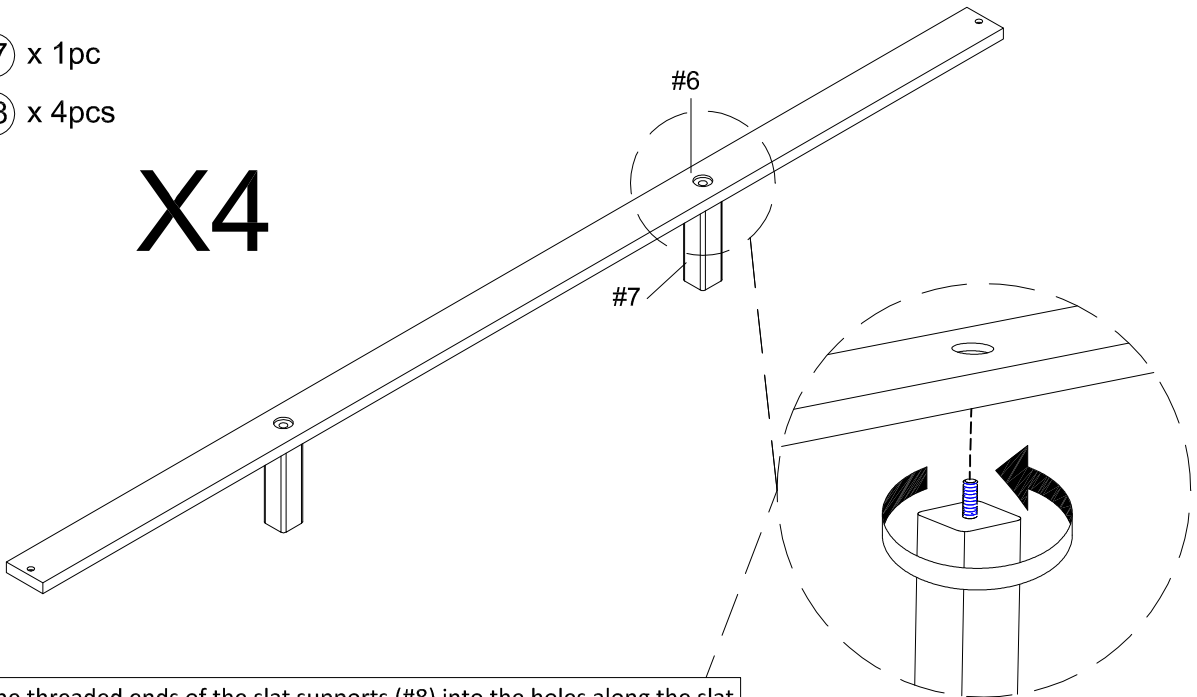
2. Apply a beveled washer (#H) then a hex nut (#G) onto each stud from within the rails. Secure using the wrench.

## 4

Part #7 x 1pc

Part #8 x 4pcs

# X4



1. Insert the threaded ends of the slat supports (#8) into the holes along the slat center (#7). Turn right to tighten.

# ASSEMBLY INSTRUCTIONS

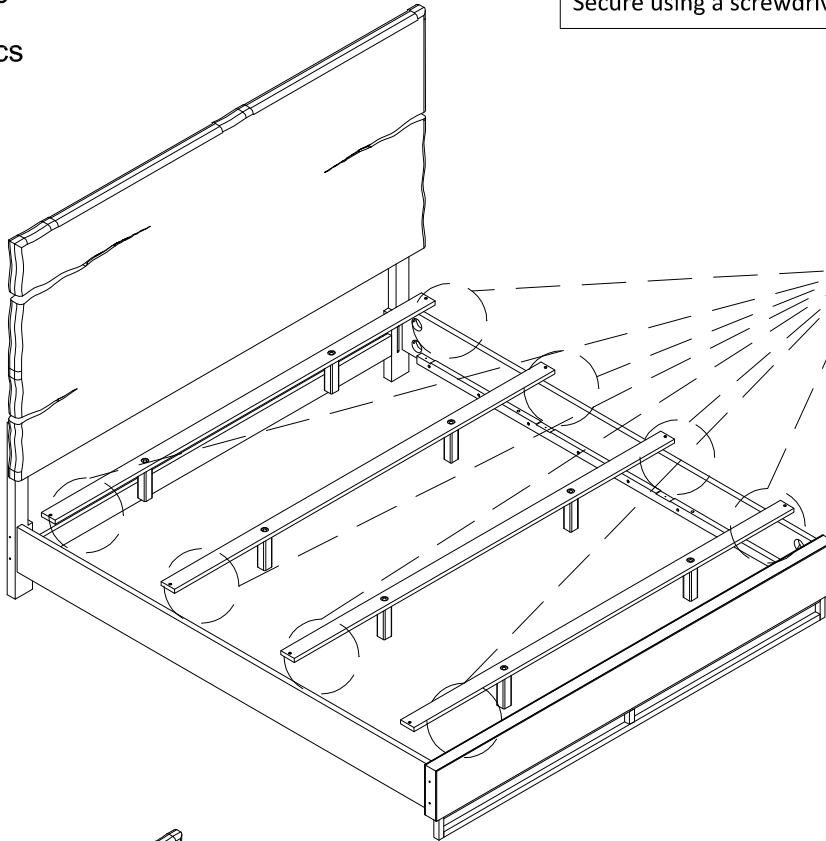
## 5

Part #6 x 12pcs

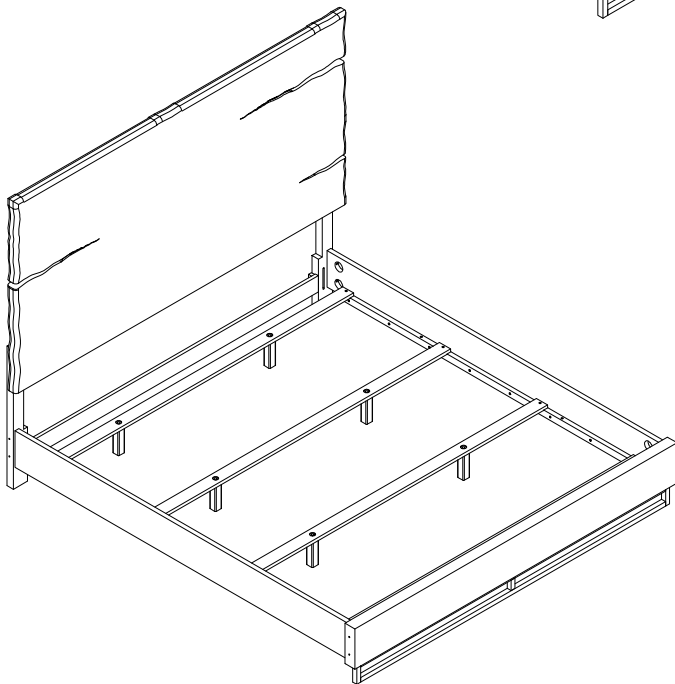
Part #7 x 1pc

Hardware #J x 8pcs

Place the slats (#6) onto the side rails (#5), then insert a screw (#J) into each end. Secure using a screwdriver.



## 6



## ASSEMBLY COMPLETED



Please ensure the furniture rests on an even and flat surface. If the product wobbles or feels loose, double-check all bolts and/or screws are properly tightened and secured.

### ✓ Keep this handy!

Please retain this instruction manual and any order-related information for future reference.

### ✓ Lift, don't drag!

To avoid damage to product please always LIFT the product when transporting or adjusting the placement.