

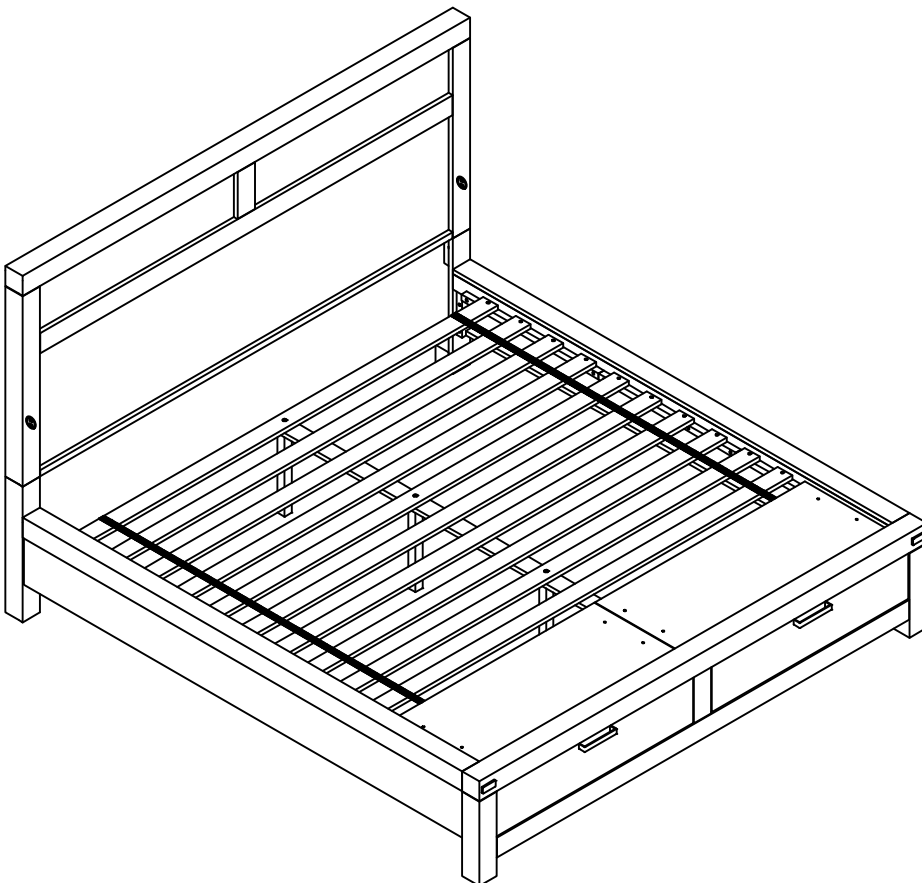
# ASSEMBLY INSTRUCTIONS

MODEL #

**CM7360Q/EK/CK**

## Questions?

GIVE US CALL: 1-888-980-5122  
MON-FRI 8:30AM - 5:30PM (PST)



## TOOLS REQUIRED



Allen Wrench

(Included)



Phillips  
Screwdriver

(Not Included)



3 - People  
Recommended

## ASSEMBLY RATING



EASY —————> DIFFICULT

The Assembly Rating is a 5-point system showing the level of effort needed to assemble a specific product.





FOA Intro

Thank you for your purchase!

We hope you enjoy this new addition to your home for many years to come.

Our commitment to providing quality products does not simply end when you purchase our product. We fully stand behind our products from start to finish. Our customer service department is available Monday – Friday 8:30 AM – 5:30 PM Pacific and can help with assembly questions as well as, if necessary, replacing damaged or missing parts. To help expedite our service, please have these assembly instructions readily available, along with your order receipt.

 **Consumer Hotline**  
Toll-Free 1-888-980-5122

 **Monday to Friday**  
8:30AM- 5:30PM (PST)

 **WEBSITE**  
[www.foagroup.com](http://www.foagroup.com)

 **E-MAIL**  
[cs.ec@foagroup.com](mailto:cs.ec@foagroup.com)

    foagroup

 FurnitureOfAmerica

---

## CHECK BEFORE STARTING

**Are you missing anything?**

Double-check all parts, hardware and accessories listed on Page 6 are accounted for.

**Check out our Quick Tips!**

We recommend reviewing the pre-assembly handouts. Even experts need a refresher now and then!

**Should we send any replacements?**

Are there any irregularities or flaws in the parts? We can send replacements!

**Prep Time!**

Please review the assembly instructions and all diagrams prior to assembling. Arrange parts as recommended on Page 7 and group identical hardware together to make assembling easier.

# PRE ASSEMBLY INTRODUCTION

We understand building ready-to-assemble furniture can be a challenging experience for some. To help avoid confusion, we have provided some helpful tips that may speed up the process.



## Teamwork

ALWAYS have at least two people to help with transporting and assembling the product to avoid potential injury and/or damage.



## Suitable Location

Assembling near the area of the intended location is highly recommended.



## Sufficient Space

Make sure you have enough space to move around during the assembly.



## Avoid Scratches

Use cardboard, blankets or a carpeted area while assembling furniture to prevent scratches.



## Flat Surface

Make sure the furniture rests on a flat and level surface with each leg evenly touching the floor.

# ASSEMBLY AND CARE ADVICE



**FAILURE TO FOLLOW THE GUIDELINES BELOW MAY RESULT IN INJURY AND/OR PROPERTY DAMAGE.**



Position each part correctly and insert screws or bolts into their respective holes.



Turn clockwise to tighten and only tighten when step is completed or when instructed to do so.



Use the appropriate hand tools or power tools for assembly. Select steps, such as tightening screws and/or bolts, may require hand tools to avoid causing damage during assembly.



Save the instructions and store any supplied tools for later maintenance.



After two weeks, check and tighten any loose hardware and repeat again every six months thereafter.

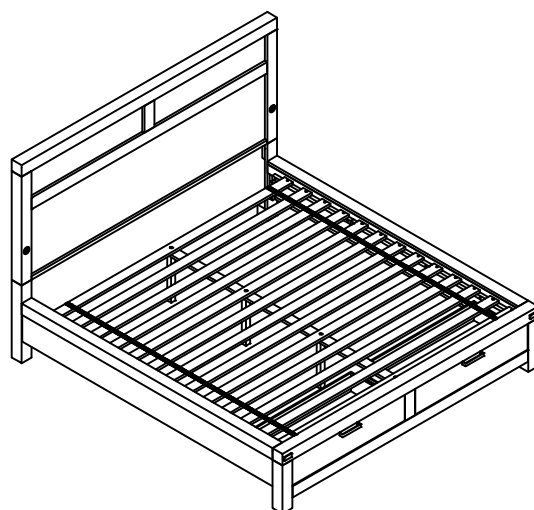
**IT IS THE USER'S RESPONSIBILITY TO MAINTAIN THE FURNITURE. THE HARDWARE MAY LOOSEN OVER TIME AND MAY CAUSE THE FURNITURE TO BE WOBBLY AND UNABLE TO SUPPORT ITS INTENDED WEIGHT CAPACITY. THIS MAY LEAD TO COLLAPSE AND MAY CAUSE SERIOUS INJURY.**

# BED

CM7360Q/EK/CK

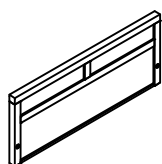


- Please keep instructions for future reference.
- Check the quantity and irregularity of parts and hardware before you start.



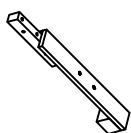
## PARTS

#1 1pc



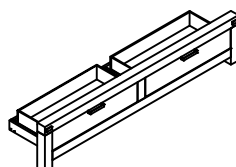
Headboard Panel

#2 2pcs



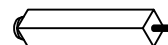
Headboard Legs

#3 1pc



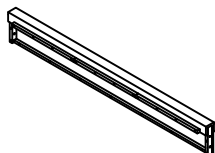
Footboard

#4 2pcs



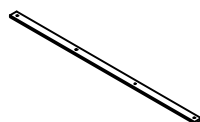
Support Leg  
121x35x35mm

#5 2pcs



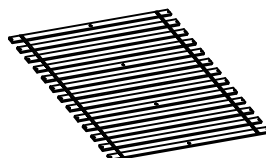
Side Rail

#6 1pc



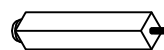
Slat Center

#7 1pc



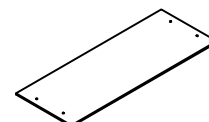
Slat

#8 4pcs



Support Leg  
343x35x35mm

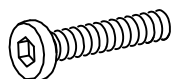
#9 2pcs



Dust shield

## HARDWARE

#A 6pcs



Bolt Ø1/4"X2"

#B 6pcs



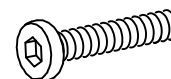
Lock Washer Ø1/4"

#C 6pcs



Flat Washer Ø1/4"

#D 8pcs



Bolt Ø5/16"X1-3/4"

#E 8pcs



Lock Washer  
Ø5/16"

#F 8pcs



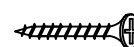
Flat Washer  
Ø5/16"

#G 1pc



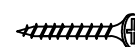
Allen Wrench

#H 26pcs



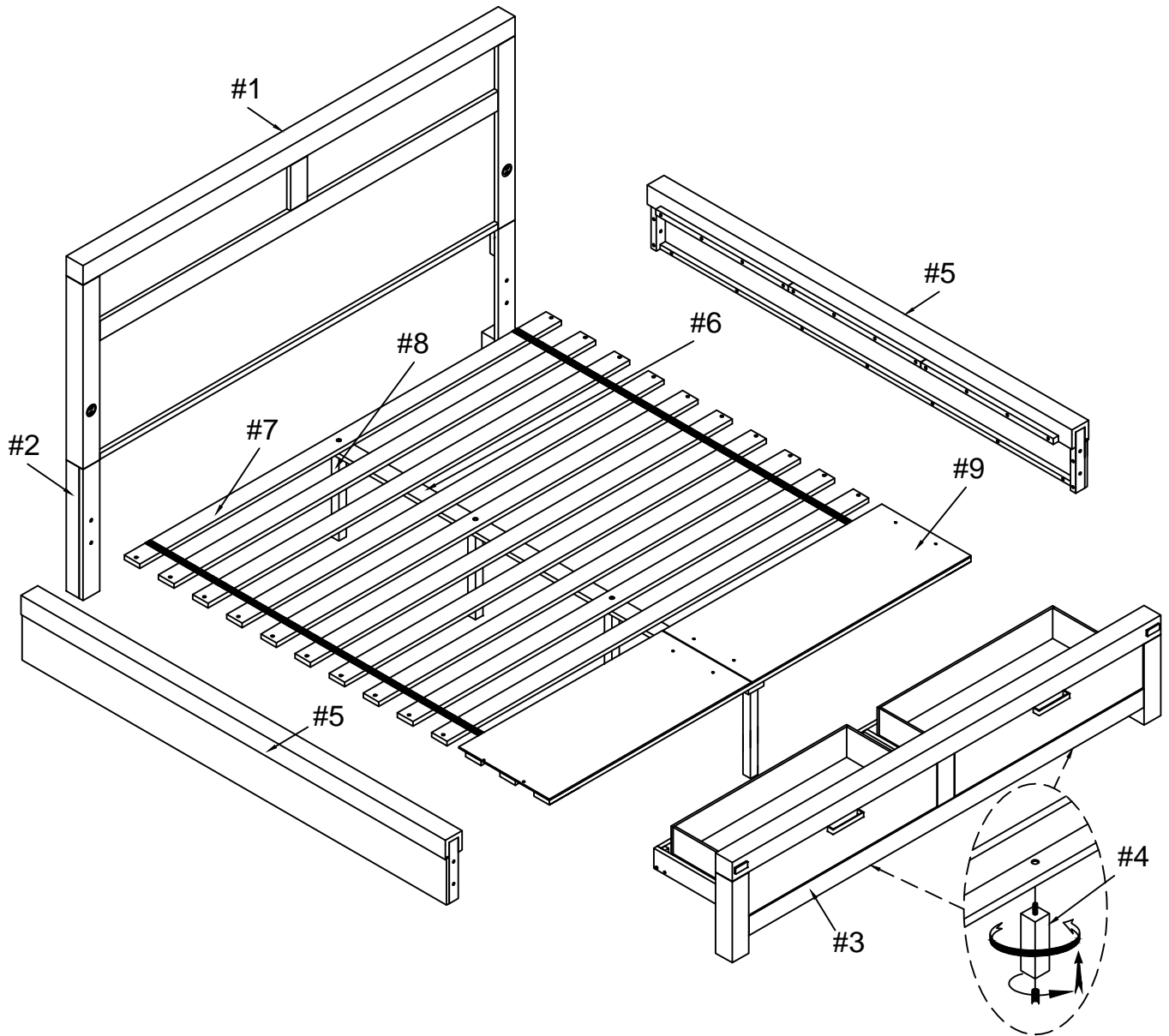
Screw #8x25mm

#I 8pcs

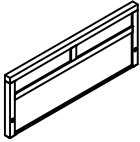
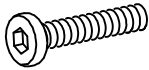



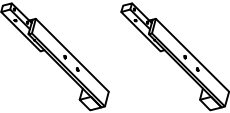
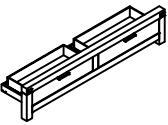
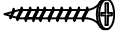
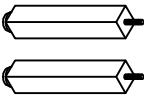
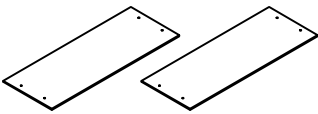
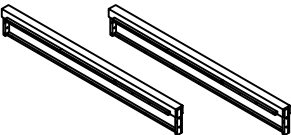
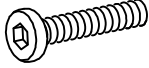

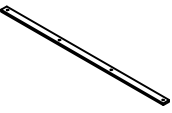

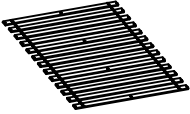

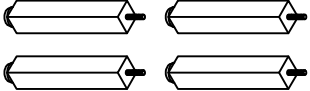
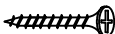


Screw #8x15mm

# Exploded View



# CM7360Q/EK/CK is packed in 3 cases

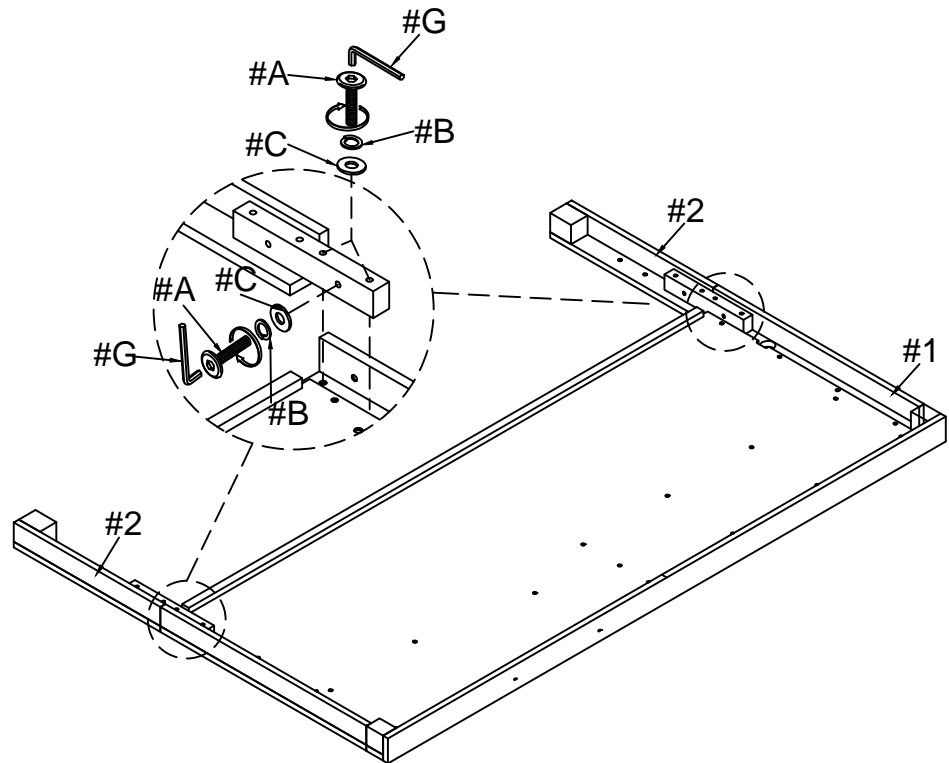
Carton	Designation	Part		Hardware
CM7360Q/EK/CK -HB	Headboard Panel	#1		 #A x 6pcs  #B x 6pcs  #C x 6pcs  #G x 1pc
	Headboard Legs (L/R)	#2		
CM7360Q/EK/CK -FB	Footboard	#3		 #I x 8pcs
	Support Leg	#4		
	Dust shield	#9		
CM7360Q/EK/CK -R	Side Rail	#5		 #D x 8pcs  #E x 8pcs
	Slat Center	#6		 #F x 8pcs
	Slat (13 pcs)	#7		 #G x 1pc
	Slat Support Leg	#8		 #H x 26pcs

# ASSEMBLY INSTRUCTIONS

## 1

Align HB legs (#2R/L) to the holes of the headboard (#1), then secure by using bolts (#A) with washers (#B,C).

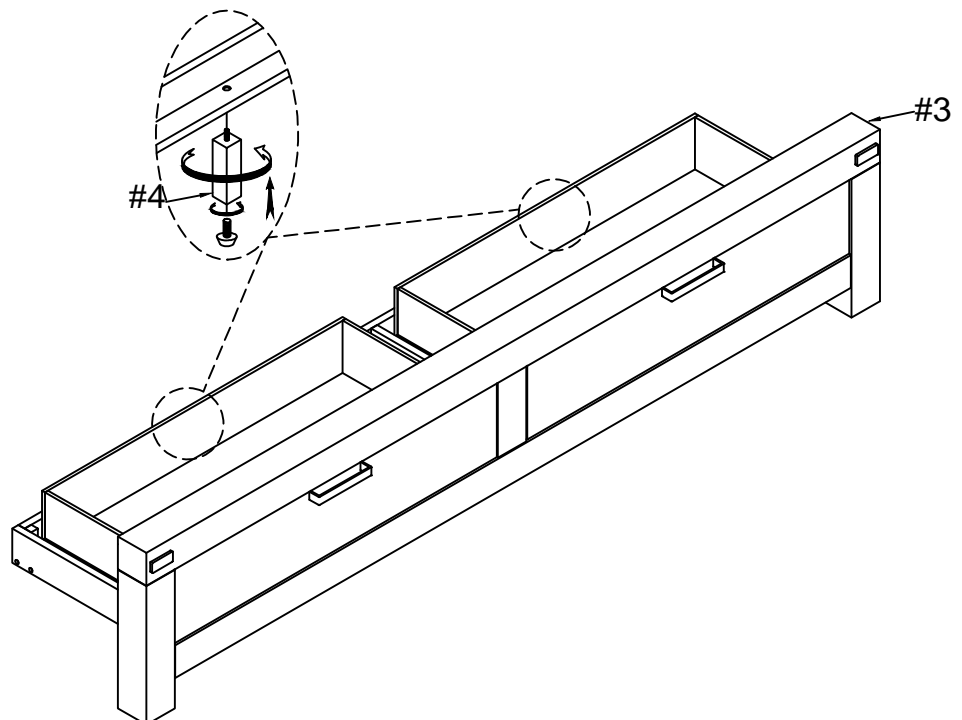
- Part #1 x 1pc
- Part #2 x 2pcs
- Hardware #A x 6pcs
- Hardware #B x 6pcs
- Hardware #C x 6pcs



## 2

Attach support legs (#4) to the footboard (#3). Adjust the levelers of the support legs (#4) according to ground level.

- Part #3 x 1pc
- Part #4 x 2pcs

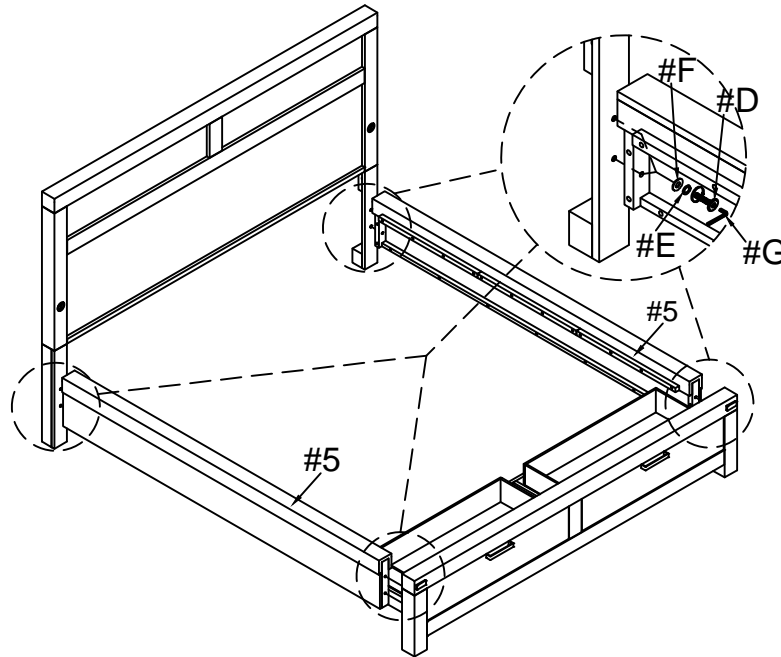


# ASSEMBLY INSTRUCTIONS

## 3

- Part (#5) x 2pcs
- Hardware (#D) x 8pcs
- Hardware (#E) x 8pcs
- Hardware (#F) x 8pcs

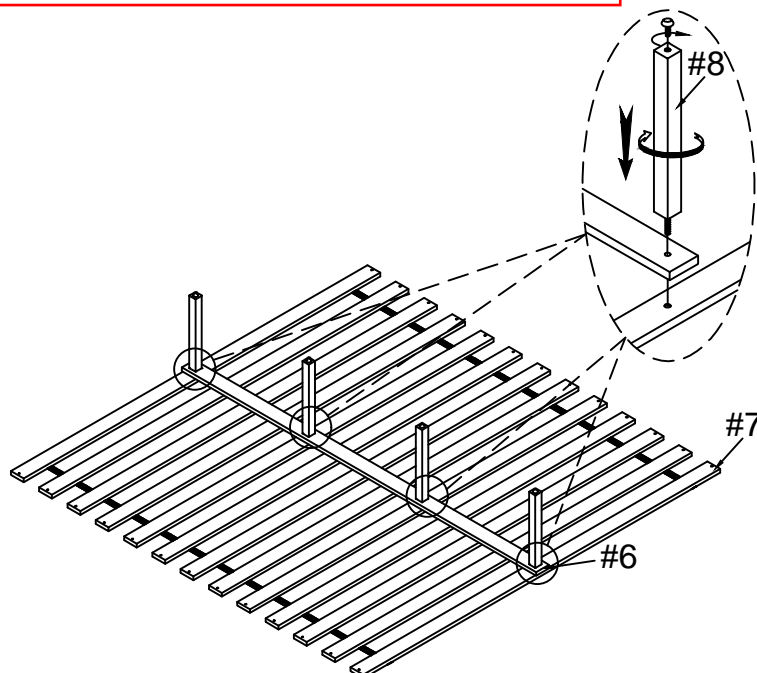
Align side rails (#5) to the holes of the headboard (#1) and footboard (#3), then secure by using bolts (#D) with washers (#E,F).



## 4

- Part (#6) x 1pc
- Part (#7) x 1pc
- Part (#8) x 4pcs

Align center slat (#6) to the holes of the slat kit (#7). Secure by attaching support legs (#8) to the holes of the center slat (#6) with slat kit (#7). Adjust the leveler of the support legs (#8) according to ground level.

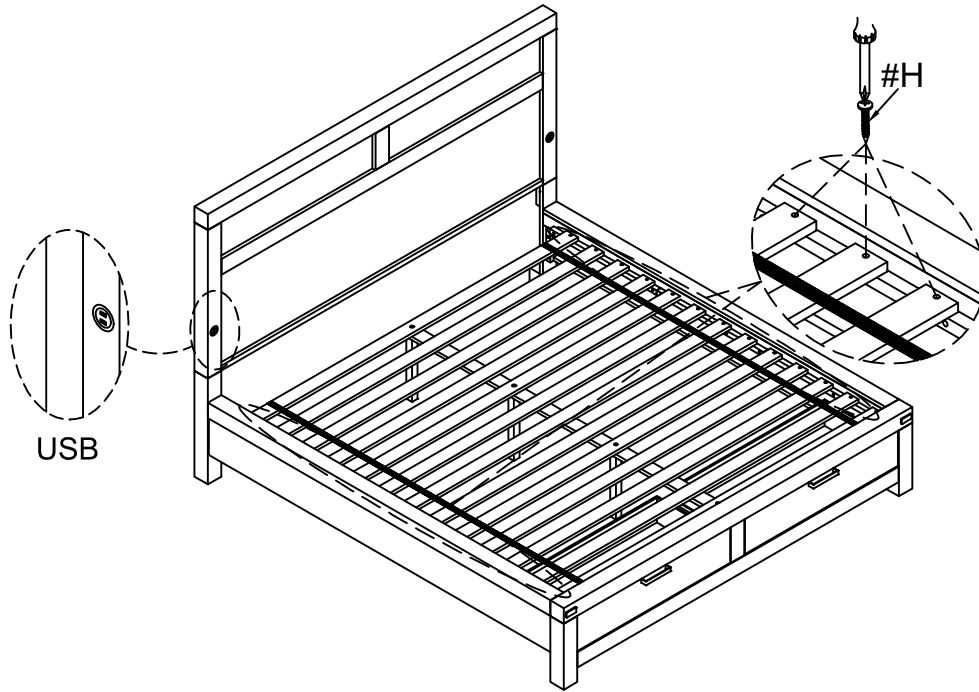


# ASSEMBLY INSTRUCTIONS

## 5

Align slats to the side rails, then secure by using screws (#H).

Hardware (#H) x 26pcs

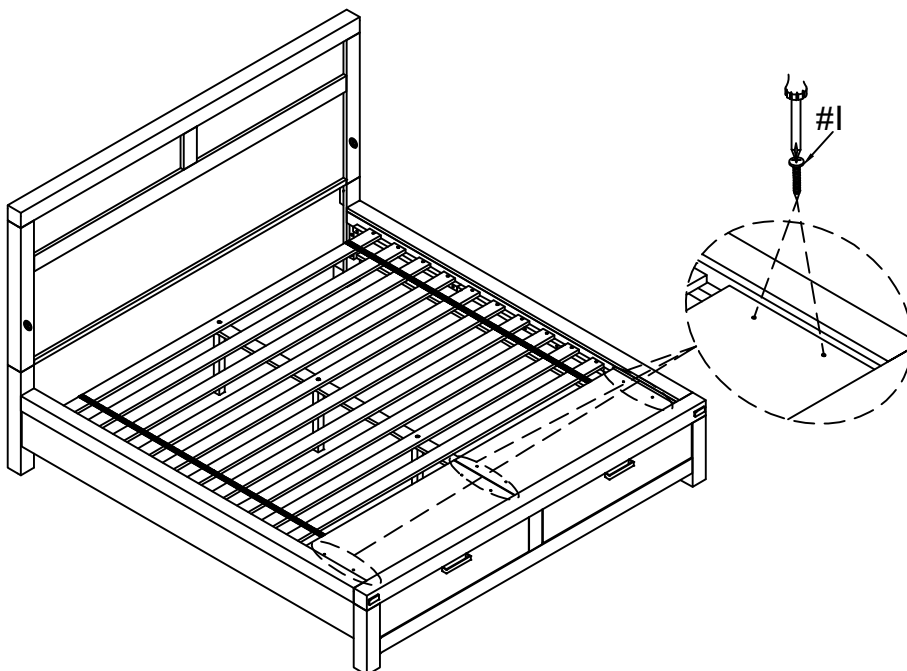


## 6

Part (#9) x 2pcs

Hardware (#I) x 8pcs

Align dusty panels (#9) to the bed slats, then secure by using screws (#I).



## ASSEMBLY COMPLETED



Please ensure the furniture rests on an even and flat surface. If the product wobbles or feels loose, double-check all bolts and/or screws are properly tightened and secured.



### Keep this handy!

Please retain this instruction manual and any order-related information for future reference.



### Lift, don't drag!

To avoid damage to product please always LIFT the product when transporting or adjusting the placement.