

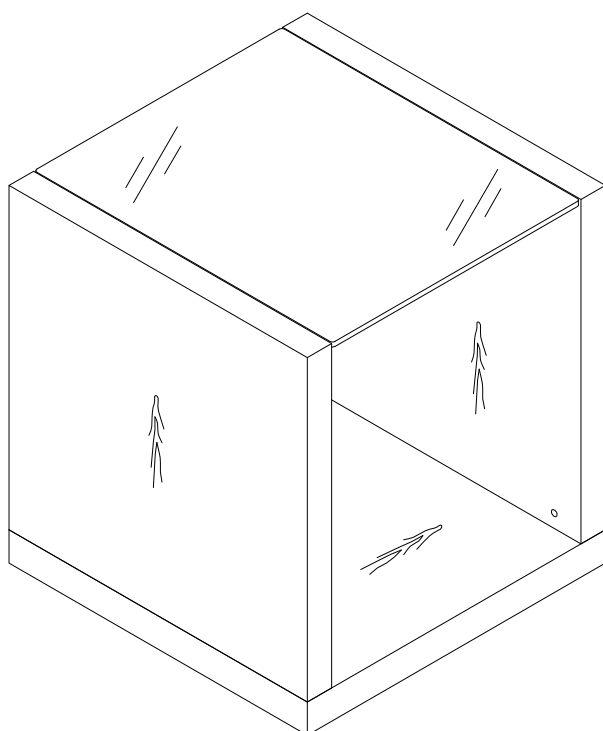
ASSEMBLY INSTRUCTIONS

MODEL #

CM4568E

Questions?

GIVE US A CALL: 1-888-980-5122
MON-FRI 8:30AM - 5:30PM (PT)

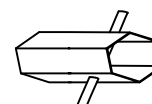


TOOLS REQUIRED



Phillips Screwdriver

(Not Included)



Socket Wrench

(Included)



2 - People
Recommended

ASSEMBLY RATING



EASY —————> DIFFICULT

The Assembly Rating is a 5-point system showing the level of effort needed to assemble a specific product.



FOA Intro

Thank you for your purchase!


We hope you enjoy this new addition to your home for many years to come.

Our commitment to providing quality products does not simply end when you purchase our product. We fully stand behind our products from start to finish. Our customer service department is available Monday – Friday 8:30 AM – 5:30 PM Pacific Time and can help with assembly questions as well as, if necessary, replacing damaged or missing parts. To help expedite our service, please have these assembly instructions readily available, along with your order receipt.

 **Consumer Hotline**
Toll-Free 1-888-980-5122

 **WEBSITE**
www.foagroup.com

    foagroup

 **Monday to Friday**
8:30AM- 5:30PM (PT)

 **E-MAIL**
cs.ec@foagroup.com

 FurnitureOfAmerica

CHECK BEFORE STARTING

Are you missing anything?
Double-check all parts, hardware and accessories listed are all accounted for.

Should we send any replacements?
Are there any irregularities or flaws in the parts? We can send replacements!

Check out our Quick Tips!
We recommend reviewing the pre-assembly handouts. Even experts need a refresher now and then!

Prep Time!
Please review the assembly instructions and all diagrams prior to assembling.

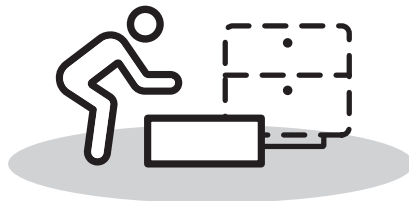
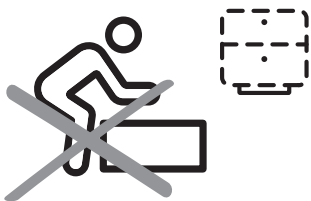
PRE ASSEMBLY INTRODUCTION

We understand building ready-to-assemble furniture can be a challenging experience for some. To help avoid confusion, we have provided some helpful tips that may speed up the process.



Teamwork

ALWAYS have at least two people to help with transporting and assembling the product to avoid potential injury and/or damage.



Suitable Location

Assembling near the area of the intended location is highly recommended.



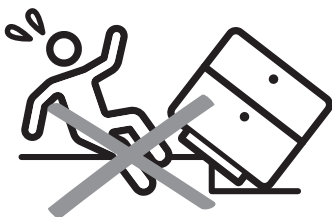
Sufficient Space

Make sure you have enough space to move around during the assembly.



Avoid Scratches

Use cardboard, blankets or a carpeted area while assembling furniture to prevent to prevent scratches and damages.



Flat Surface

Make sure the furniture rests on a flat and level surface with each leg evenly touching the floor.

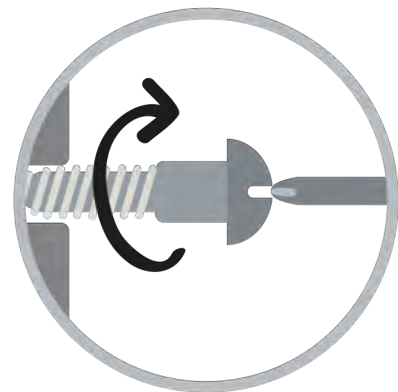
ASSEMBLY AND CARE ADVICE



FAILURE TO FOLLOW THE GUIDELINES BELOW MAY RESULT IN INJURY AND/OR PROPERTY DAMAGE.



Position each part correctly and insert screws or bolts into their respective holes.



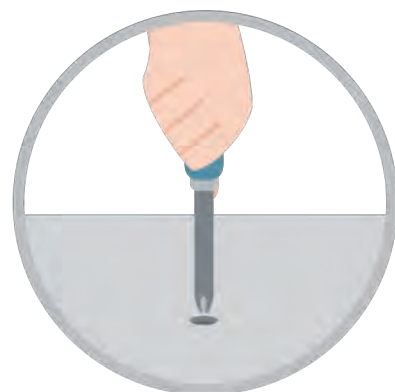
Turn clockwise to tighten and only tighten when step is completed or when instructed to do so.



Use the appropriate hand tools or power tools for assembly. Select steps, such as tightening screws and/or bolts, may require hand tools to avoid causing damage during assembly.



Save the instructions and store any supplied tools for later maintenance.



After two weeks, check and tighten any loose hardware and repeat again every six months thereafter.

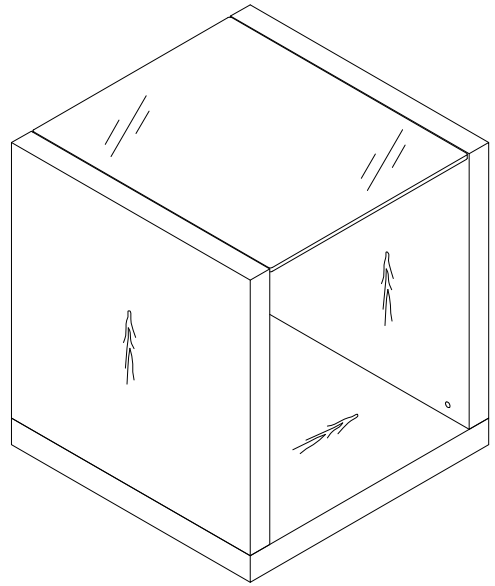
IT IS THE USER'S RESPONSIBILITY TO MAINTAIN THE FURNITURE. THE HARDWARE MAY LOOSEN OVER TIME AND MAY CAUSE THE FURNITURE TO BE WOBBLY AND UNABLE TO SUPPORT ITS INTENDED WEIGHT CAPACITY. THIS MAY LEAD TO COLLAPSE AND MAY CAUSE SERIOUS INJURY.

END TABLE

CM4568E

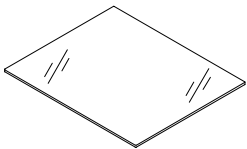


- Please keep instructions for future reference.
- Check the quantity and irregularity of parts and hardware before you start.



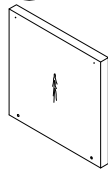
PARTS

#1 1pc



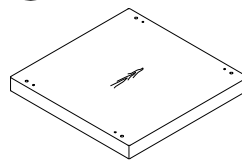
Glass

#2 2pcs



Upright Board

#3 1pc



Bottom Board

#4 2pcs



Connection

HARDWARE

#A 4pcs



Ø20 Sealing Stickers

#B 4pcs



Rod 1/4" x 3-1/8"

#C 4pcs



Washer Ø16xØ7x1.0

#D 4pcs



Nut M6

#E 4pcs



Hammer Nut

#F 4pcs



Set Screw Ø6x30

#G 4pcs



Screw M5 x 15

#H 4pcs



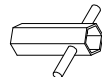
Sucker

#I 4pcs



Adjustable Foot

#J 1pc

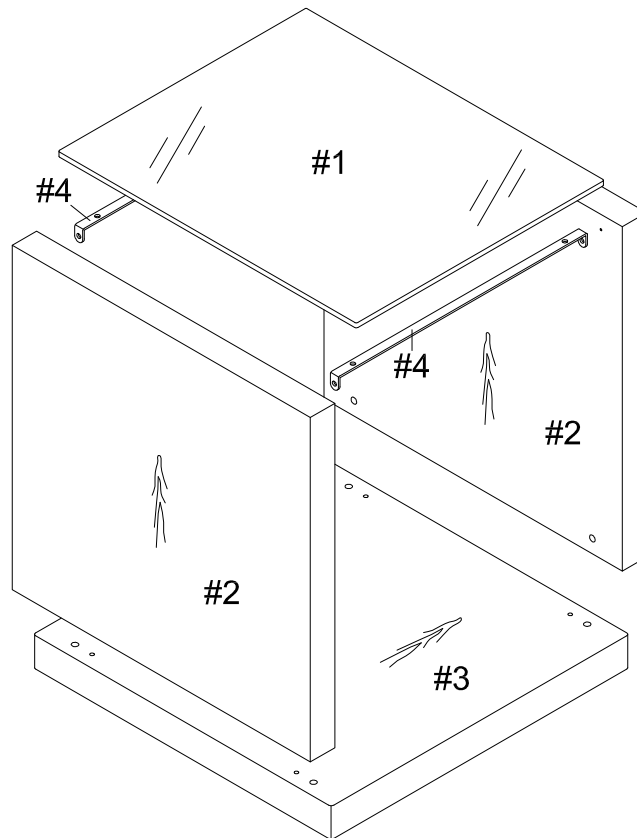


Socket Wrench M6

ASSEMBLY INSTRUCTIONS

1

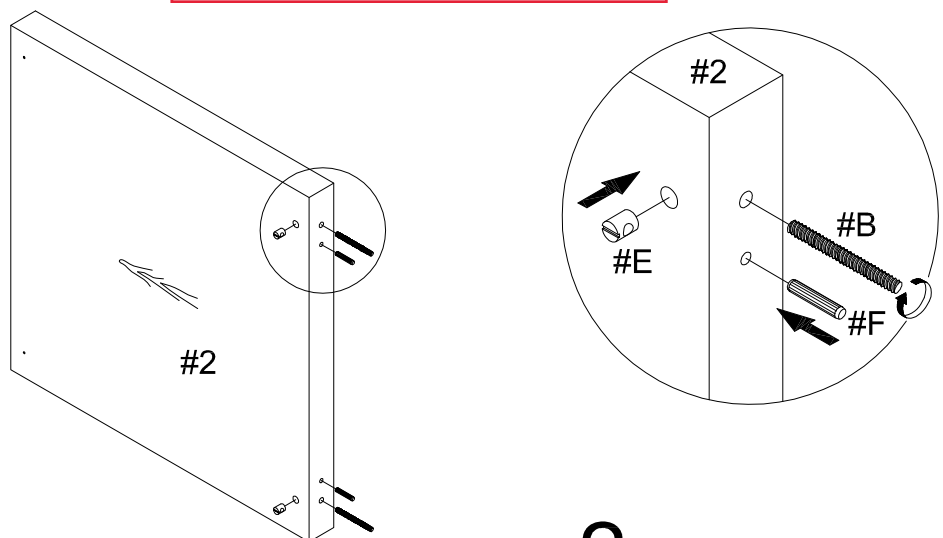
Exploded View



2

- Part #2 x 2pcs
- Hardware #B x 4pcs
- Hardware #E x 4pcs
- Hardware #F x 4pcs

Connect threaded bolts (#B) to barrel nuts (#E) through the upright board (#2). Attach dowels (#F) onto the upright board (#2).



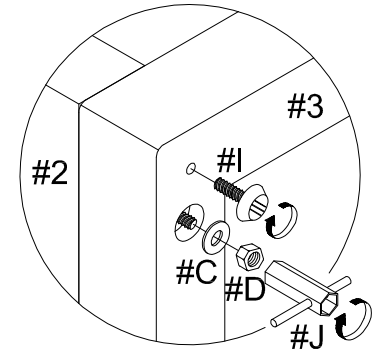
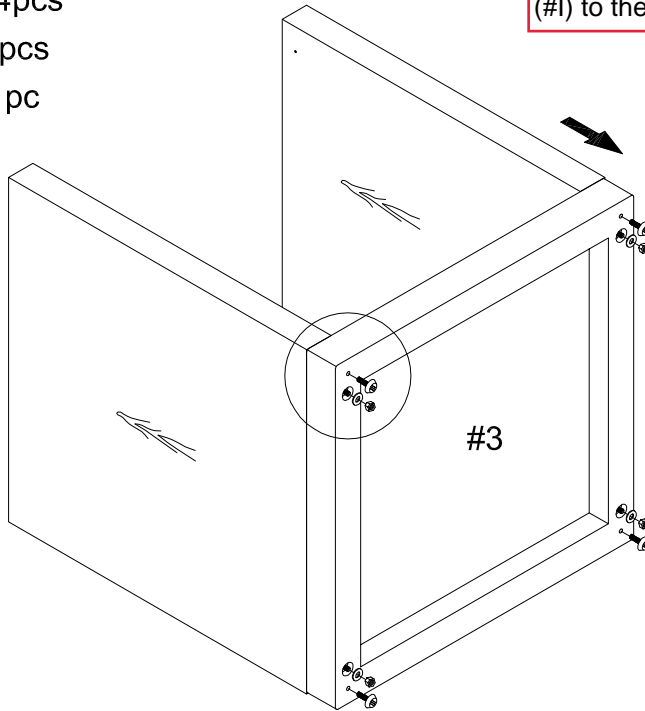
x2

ASSEMBLY INSTRUCTIONS

3

- Part #3 x 1pc
- Hardware #C x 4pcs
- Hardware #D x 4pcs
- Hardware #I x 4pcs
- Hardware #J x 1pc

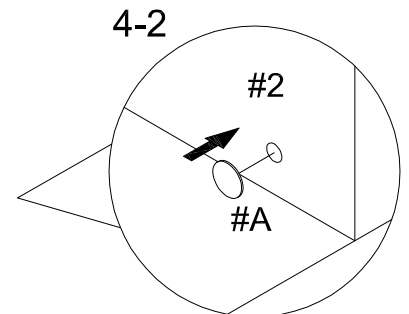
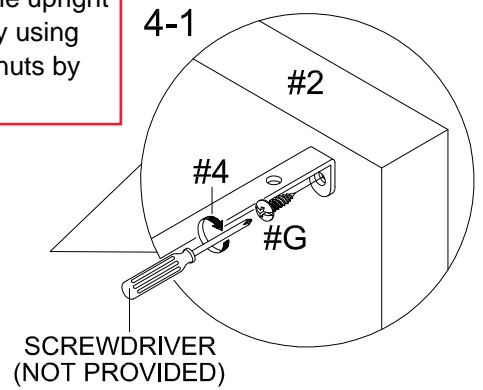
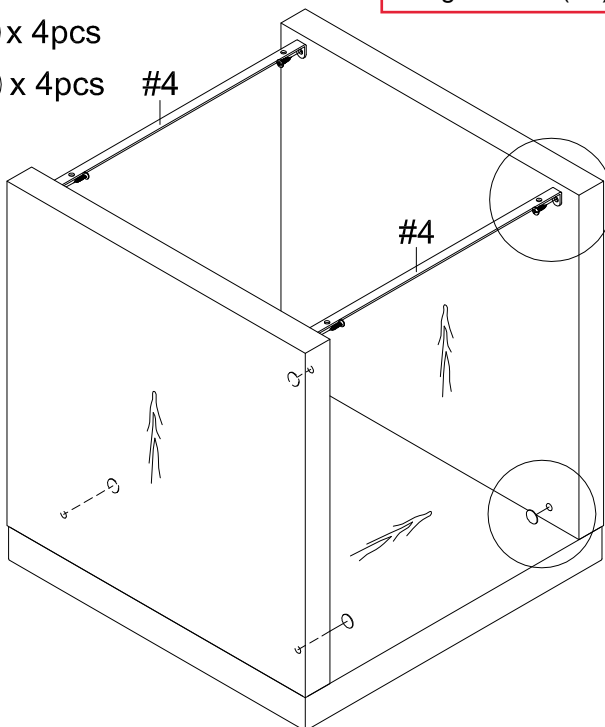
Align upright boards (#2) to the bottom board (#3), then secure by using nuts (#D) with washers (#C). Attach levelers (#I) to the bottom board (#3).



4

- Part #4 x 2pcs
- Hardware #A x 4pcs
- Hardware #G x 4pcs

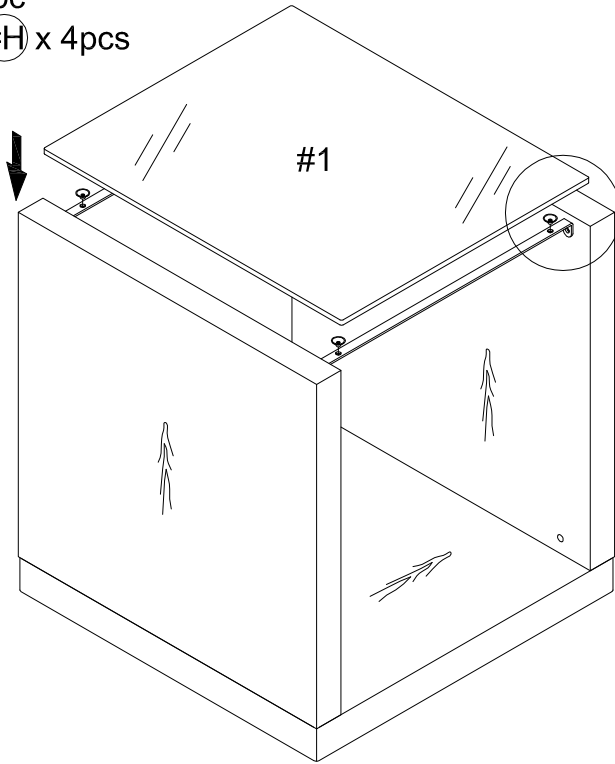
Align connections (#4) to the upright boards (#2), then secure by using screws (#G). Cover barrel nuts by using stickers (#A).



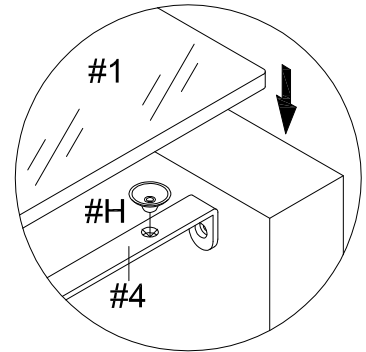
ASSEMBLY INSTRUCTIONS

5

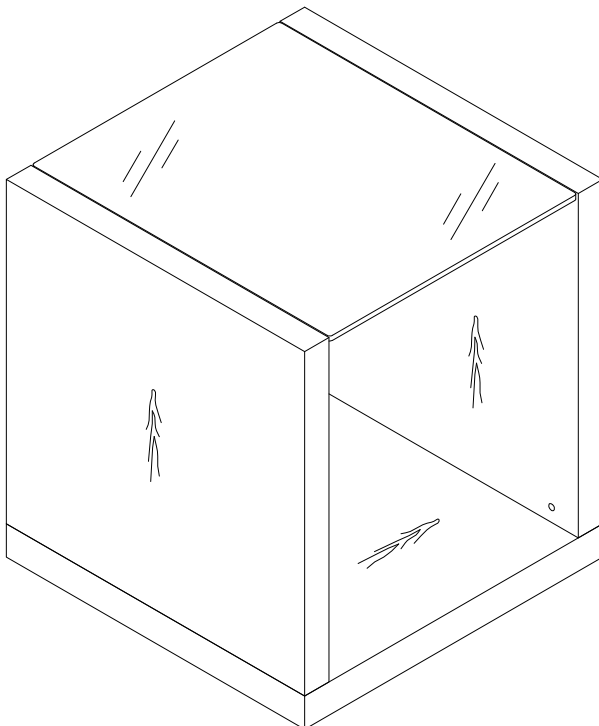
Part #1 x 1pc
Hardware #H x 4pcs



Attach suckers (#H) onto connections (#4), then carefully place glass (#1) onto the top.



6



ASSEMBLY COMPLETED



Please ensure the furniture rests on an even and flat surface. If the product wobbles or feels loose, double-check all bolts and/or screws are properly tightened and secured.



Keep this handy!

Please retain this instruction manual and any order-related information for future reference.



Lift, don't drag!

To avoid damage to product please always LIFT the product when transporting or adjusting the placement.