

ASSEMBLY INSTRUCTIONS

MODEL #

CM3824PT

Questions?

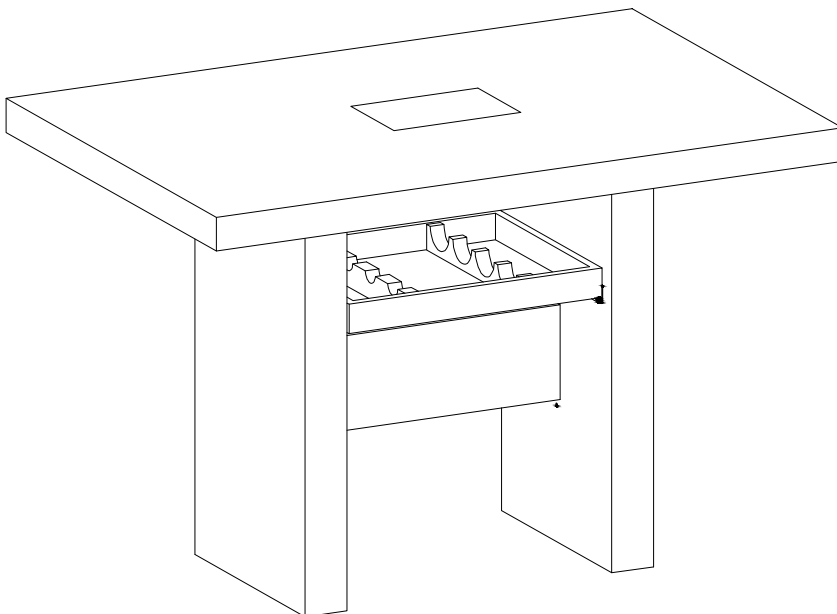
GIVE US A CALL: 1-888-980-5122
MON-FRI 8:30AM - 5:30PM (PT)

TOOLS REQUIRED



Allen Wrench

(Included)



2 - People
Recommended

ASSEMBLY RATING



EASY —————> DIFFICULT

The Assembly Rating is a 5-point system showing the level of effort needed to assemble a specific product.




FOA Intro

Thank you for your purchase!

We hope you enjoy this new addition to your home for many years to come.

Our commitment to providing quality products does not simply end when you purchase our product. We fully stand behind our products from start to finish. Our customer service department is available Monday – Friday 8:30 AM – 5:30 PM Pacific Time and can help with assembly questions as well as, if necessary, replacing damaged or missing parts. To help expedite our service, please have these assembly instructions readily available, along with your order receipt.

 **Consumer Hotline**
Toll-Free 1-888-980-5122

 **Monday to Friday**
8:30AM- 5:30PM (PT)

 **WEBSITE**
www.foagroup.com

 **E-MAIL**
cs.ec@foagroup.com

    foagroup

 FurnitureOfAmerica

CHECK BEFORE STARTING

Are you missing anything?
Double-check all parts, hardware and accessories listed are all accounted for.

Check out our Quick Tips!
We recommend reviewing the pre-assembly handouts. Even experts need a refresher now and then!

Should we send any replacements?
Are there any irregularities or flaws in the parts? We can send replacements!

Prep Time!
Please review the assembly instructions and all diagrams prior to assembling.

PRE ASSEMBLY INTRODUCTION

We understand building ready-to-assemble furniture can be a challenging experience for some. To help avoid confusion, we have provided some helpful tips that may speed up the process.



Teamwork

ALWAYS have at least two people to help with transporting and assembling the product to avoid potential injury and/or damage.



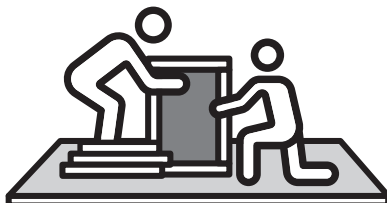
Suitable Location

Assembling near the area of the intended location is highly recommended.



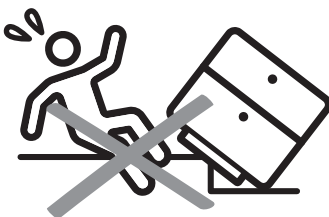
Sufficient Space

Make sure you have enough space to move around during the assembly.



Avoid Scratches

Use cardboard, blankets or a carpeted area while assembling furniture to prevent to prevent scratches and damages.



Flat Surface

Make sure the furniture rests on a flat and level surface with each leg evenly touching the floor.

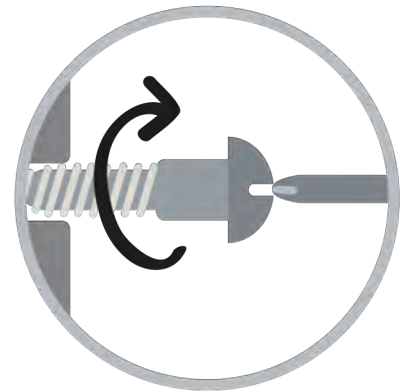
ASSEMBLY AND CARE ADVICE



FAILURE TO FOLLOW THE GUIDELINES BELOW MAY RESULT IN INJURY AND/OR PROPERTY DAMAGE.



Position each part correctly and insert screws or bolts into their respective holes.



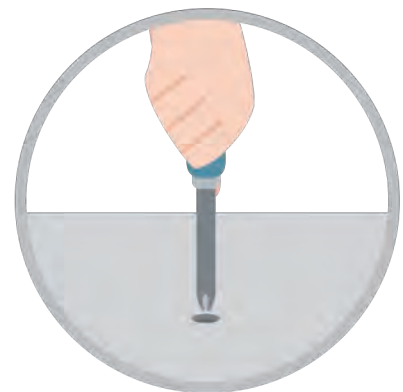
Turn clockwise to tighten and only tighten when step is completed or when instructed to do so.



Use the appropriate hand tools or power tools for assembly. Select steps, such as tightening screws and/or bolts, may require hand tools to avoid causing damage during assembly.



Save the instructions and store any supplied tools for later maintenance.



After two weeks, check and tighten any loose hardware and repeat again every six months thereafter.

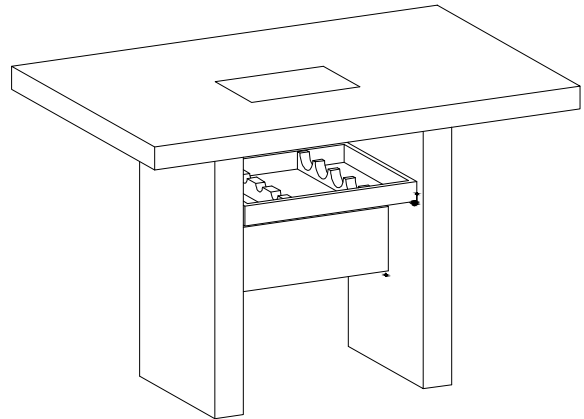
IT IS THE USER'S RESPONSIBILITY TO MAINTAIN THE FURNITURE. THE HARDWARE MAY LOOSEN OVER TIME AND MAY CAUSE THE FURNITURE TO BE WOBBLY AND UNABLE TO SUPPORT ITS INTENDED WEIGHT CAPACITY. THIS MAY LEAD TO COLLAPSE AND MAY CAUSE SERIOUS INJURY.

TABLE

CM3824PT



- Please keep instructions for future reference.
- Check the quantity and irregularity of parts and hardware before you start.



PARTS

#1 1pc

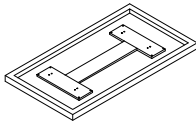
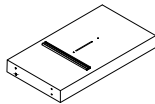


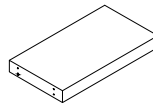
Table Top

#2 1pc



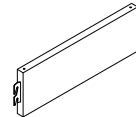
Left Side Panel

#3 1pc



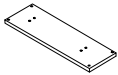
Right Side Panel

#4 1pc



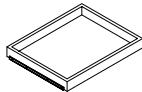
Stretcher

#5 2pcs



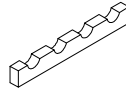
Connection Panel

#6 1pc



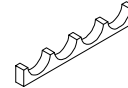
Drawer

#7 1pc



Drawer Wine Rack A

#8 1pc



Drawer Wine Rack B

HARDWARE

#A 8pcs



Bolt Ø5/16" x 1-1/4"

#B 8pcs



Bolt Ø5/16" x 2"

#C 8pcs



Bolt Ø1/4" x 7/8"

#D 16pcs



Flat Washer Ø5/16"

#E 16pcs



Lock Washer Ø5/16"

#F 8pcs



Flat Washer Ø1/4"

#G 8pcs



Lock Washer Ø1/4"

#H 1pc



Allen Wrench M5

#I 1pc



Allen Wrench M4

#K 10pcs



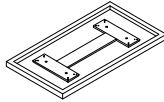
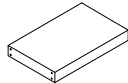


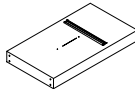


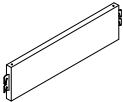


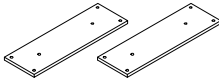

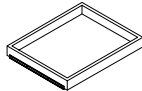


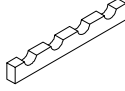
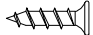
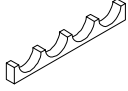
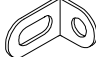
Screw #3.5 x 15mm

#J 4pcs

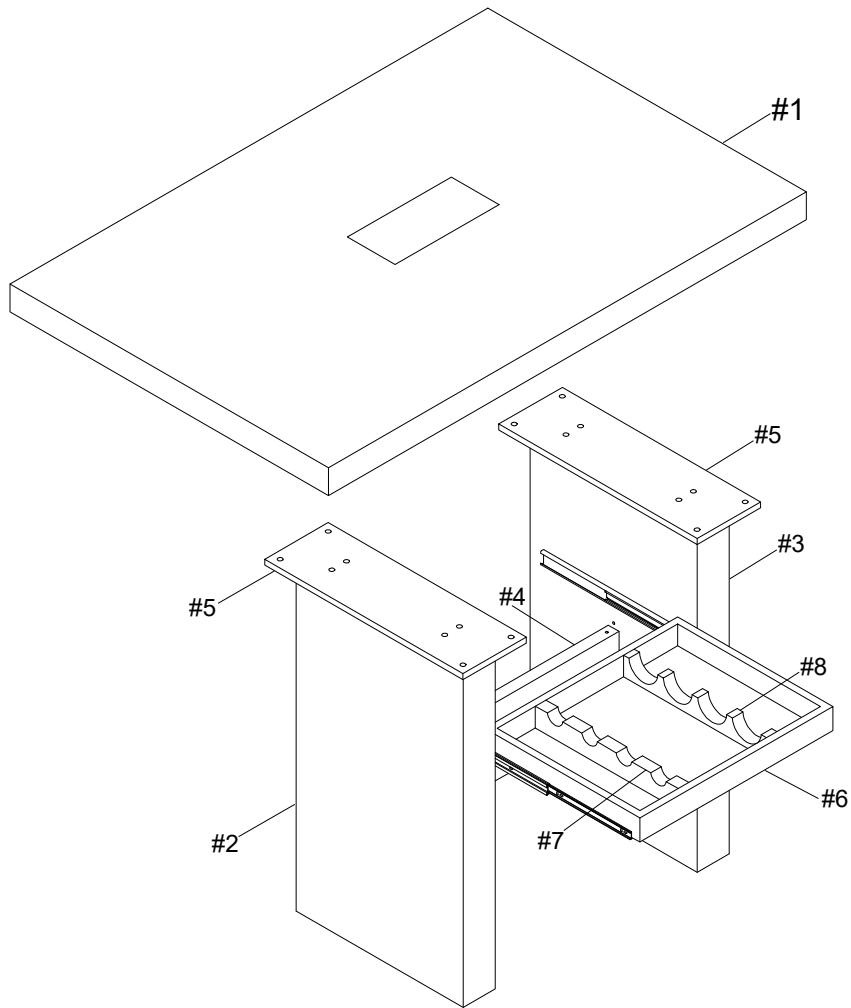


L Metal Plate

CM3824PT is packed in 2 cases

Carton	Disignation	Part		Hardware
CM3824PT-1	Table Top	#1		
CM3824PT-2	Left Side Panel	#2		 #A x8pcs  #B x8pcs
	Right Side Panel	#3		 #C x8pcs  #D x16pcs
	Stretcher	#4		 #E x16pcs  #F x8pcs
	Connection Panel (2pcs)	#5		 #G x8pcs
	Drawer	#6		 #H x1pc  #I x1pc
	Drawer Wine Rack A	#7		 #J x10pcs
	Drawer Wine Rack B	#8		 #K x4pcs

Exploded View

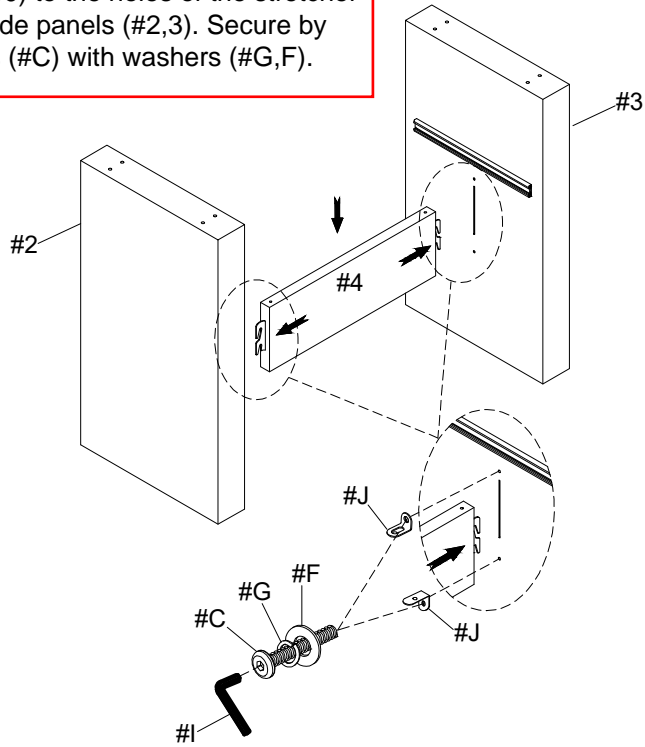


ASSEMBLY INSTRUCTIONS

1

- Part #2 x1pc
- Part #3 x1pc
- Part #4 x1pc
- Hardware #C x4pcs
- Hardware #F x4pcs
- Hardware #G x4pcs
- Hardware #J x4pcs

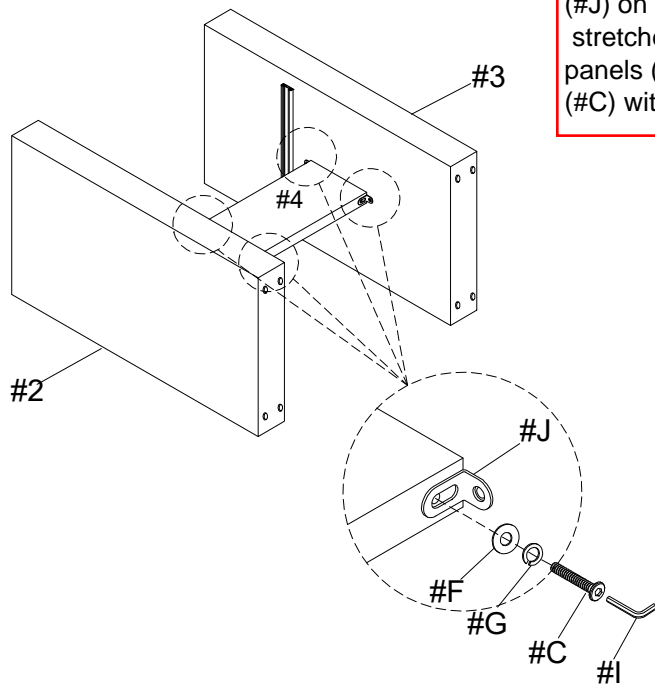
Hook stretcher (#4) to the latch of left and right side panels (#2,3), then align brackets (#J) to the holes of the stretcher (#4) and side panels (#2,3). Secure by using bolts (#C) with washers (#G,F).



2

- Hardware #C x4pcs
- Hardware #F x4pcs
- Hardware #G x4pcs

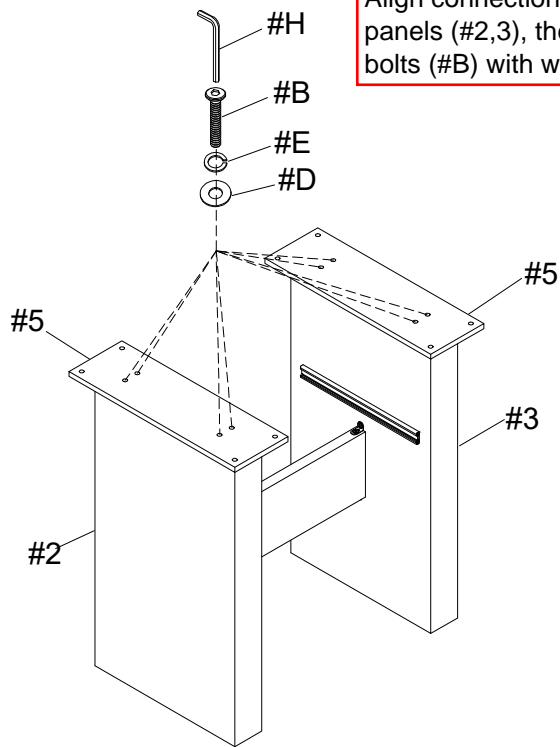
Make sure to secure brackets (#J) on the bottom holes of the stretchers (#4) and side panels (#2,3) by using bolts (#C) with washers (#G,F).



ASSEMBLY INSTRUCTIONS

3

- Part #5 x2pcs
- Hardware #B x8pcs
- Hardware #D x8pcs
- Hardware #E x8pcs

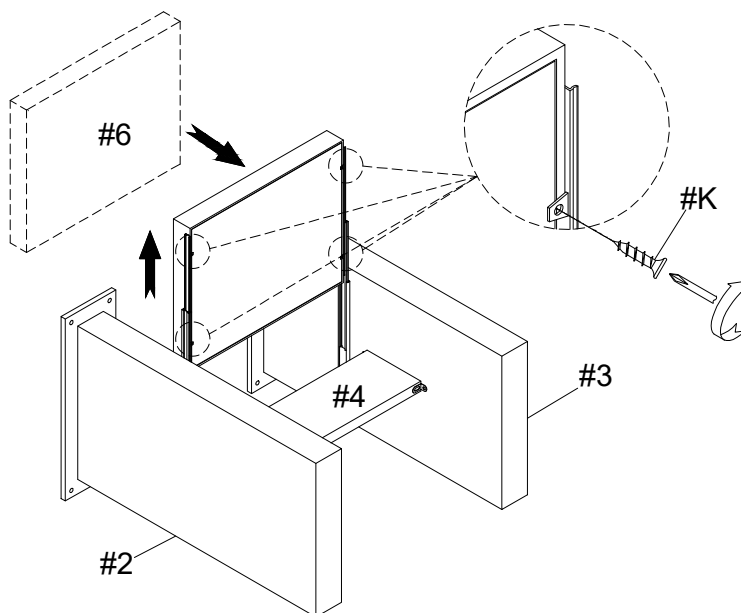


Align connection panels (#5) to the side panels (#2,3), then secure by using bolts (#B) with washers (#E,D).

4

- Part #6 x1pc
- Hardware #K x4pcs

Align drawer (#6) to the drawer rails. Make sure that the alignment of drawer (#6) is correctly centered to the side panels (#2,3), because there will be no pre-drilled holes. Secure drawers rails to the drawer (#6) by using screws (#K).

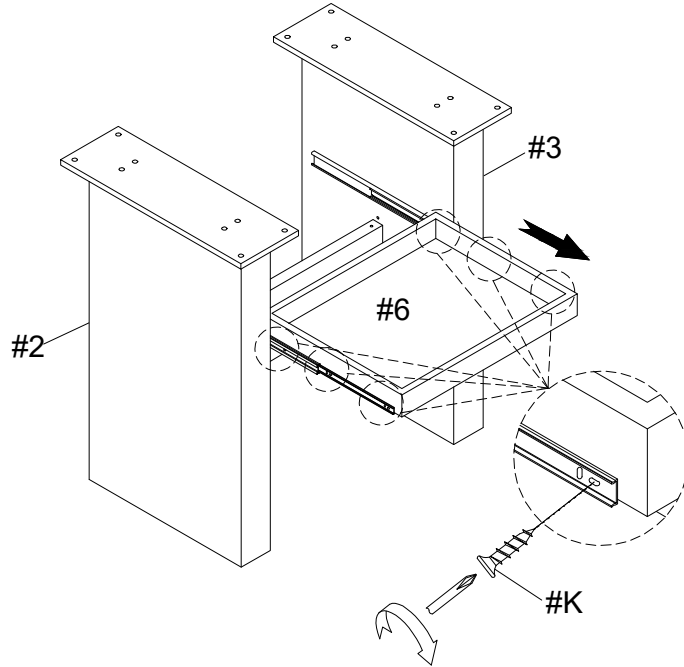


ASSEMBLY INSTRUCTIONS

5

Hardware #K x6pcs

Extend drawer (#6), then secure drawer (#6) to drawer rails by using screws (#K).



4

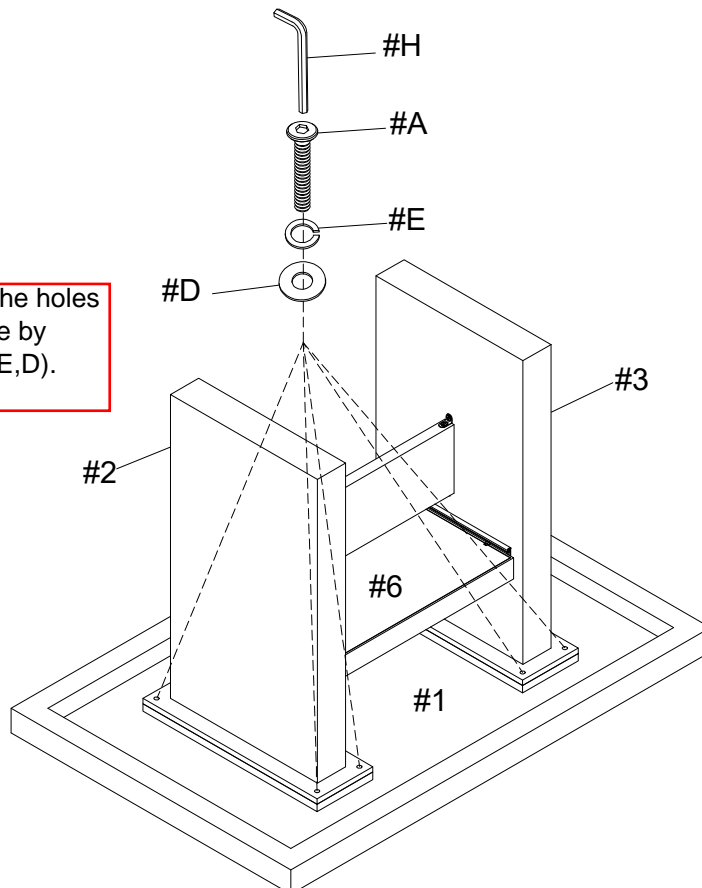
Part #1 x1pc

Hardware #A x8pcs

Hardware #D x8pcs

Hardware #E x8pcs

Align connection panels (#5) to the holes of the table top (#1), then secure by using bolts (#A) with washers (#E,D).



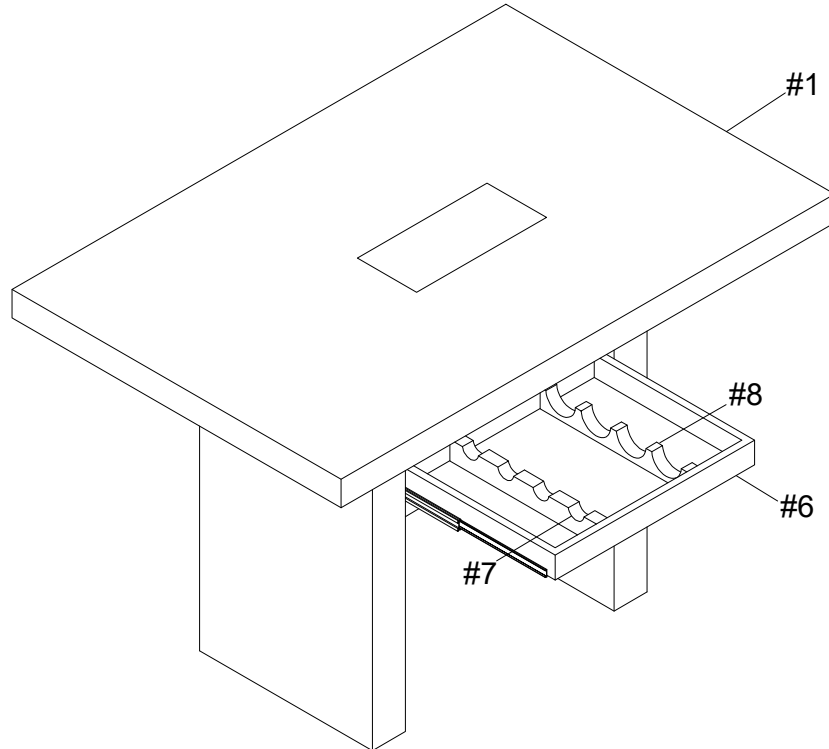
ASSEMBLY INSTRUCTIONS

Extend drawer (#6), then place drawer win racks (#7,8) inside drawer (#6).

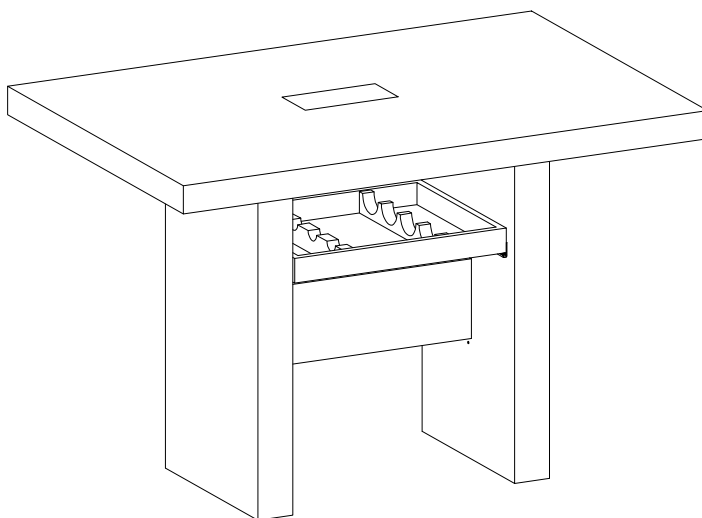
8

Part #7 x1pc

Part #8 x1pc



4



ASSEMBLY COMPLETED



Please ensure the furniture rests on an even and flat surface. If the product wobbles or feels loose, double-check all bolts and/or screws are properly tightened and secured.

✓ Keep this handy!

Please retain this instruction manual and any order-related information for future reference.

✓ Lift, don't drag!

To avoid damage to product please always LIFT the product when transporting or adjusting the placement.