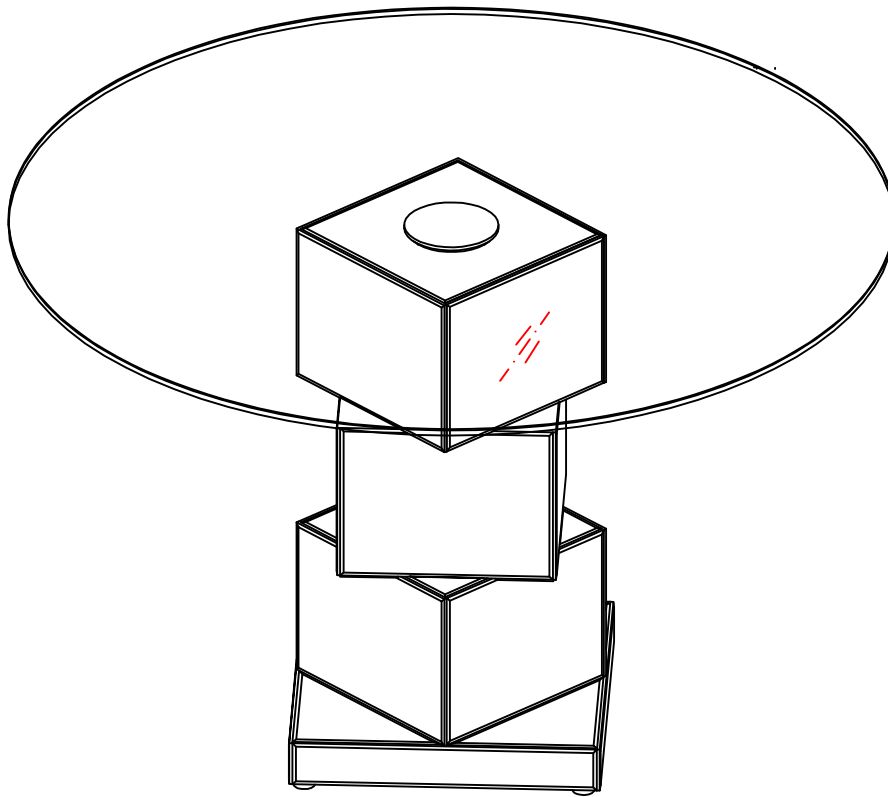


Furniture of America[®]

Assembly Instructions

For more information contact our team: service.ec@foagroup.com

CM3384RT



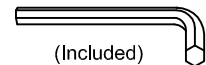
ASSEMBLY RATING

The Assembly Rating is a 5-point system that shows the degree of effort needed in assembling a specific product (with 1 being easy and 5 being difficult). For some products, two persons are recommended.

EASY  DIFFICULT

Tools Required For Assembly:

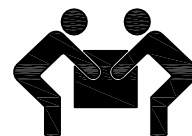
Allen Wrench



(Included)



(Included)

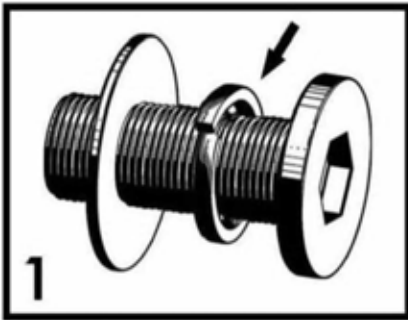


2 PERSONS RECOMMENDED

ASSEMBLY & CARE ADVICE

FOR YOUR FURNITURE TO LAST, CORRECT ASSEMBLY AND PROPER MAINTENANCE ARE NECESSARY. PLEASE FOLLOW THE INFORMATION PROVIDED BELOW TO FULLY ENJOY YOUR FURNITURE.

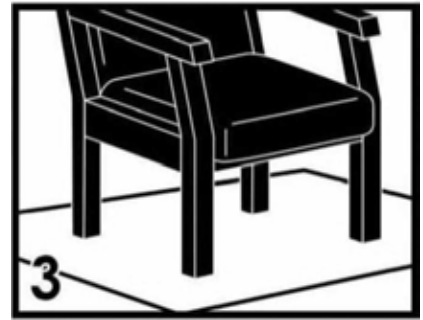
BASIC ASSEMBLY TECHNIQUES



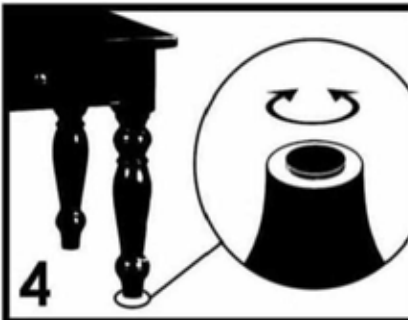
When lock or spring washer is used in an assembly, please make sure the lock or spring washer is placed between the larger flat washer and the head of the screw or bolt.



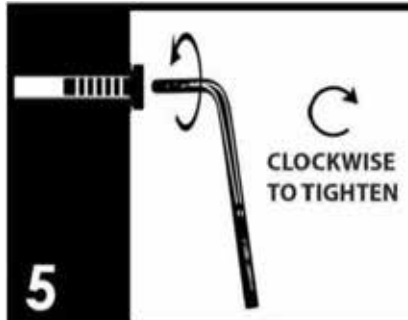
Position each part correctly and insert screws or bolts into their respective holes by hand tighten or using the proper hand tool. Only tighten when step is completed or when instructed to do so.



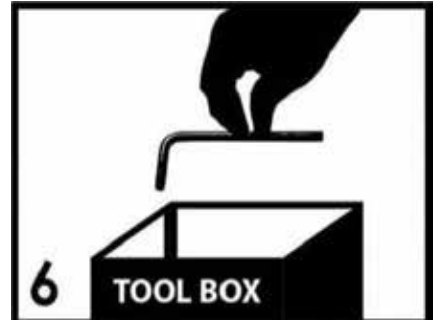
Use cardboard or carpet area when assembling furniture to prevent scratches. Make sure the furniture rests on a flat and level surface with each leg evenly touching the floor.



Some furniture comes with height adjustment knobs underneath each leg. To lower or to raise each leg, you need to turn clockwise or counterclockwise, respectively.

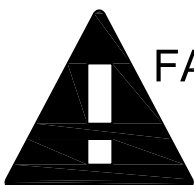


Make sure all parts are properly aligned, then use the appropriate hand tool to completely tighten the bolts or screws. Do not use power tools and do not overtighten.



Save the instructions and store the Allen wrench or any supplied tool for later maintenance. After two weeks, check and tighten any loose hardware and repeat again every six months thereafter.

IT IS THE USER'S RESPONSIBILITY TO MAINTAIN THE FURNITURE. THE HARDWARE MAY LOOSEN OVER TIME AND MAY CAUSE THE FURNITURE TO BE WOBBLY AND UNABLE TO SUPPORT ITS INTENDED WEIGHT CAPACITY. THIS MAY LEAD TO COLLAPSE AND MAY CAUSE SERIOUS INJURY.



FAILURE TO FOLLOW THE GUIDELINES ABOVE MAY RESULT IN INJURY AND/OR PROPERTY DAMAGE.



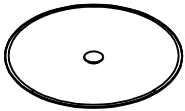
Before you begin, please read Page 2 of "Assembly and Care Advice".

And remember, do not tighten until each step is completed or instructed.

Parts List



#1 x 1pc
Base



#2 x 1pc
Glass Top

Hardware List



#A x 3pcs
Bolt 5/16" X 3-1/4"



#B x 3pcs
Flat Washer Ø16mm



#C x 3pcs
Lock Washer Ø13mm



#D x 3pcs
Hex Nut M8

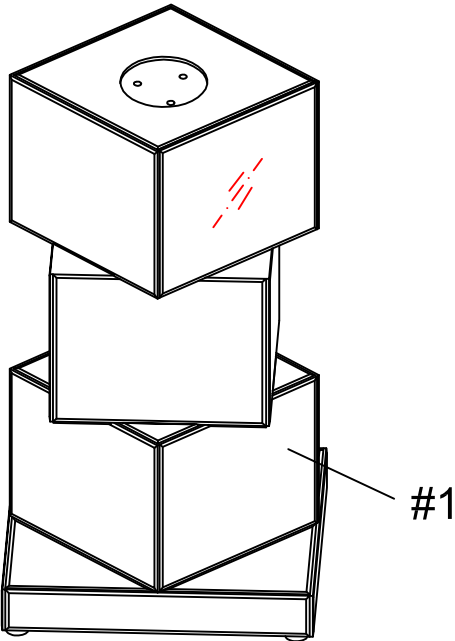
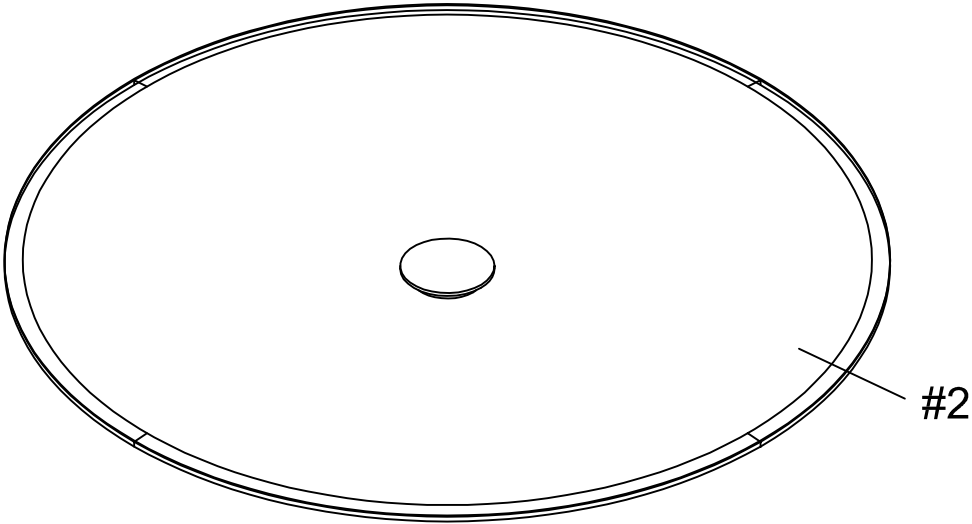


#E x 1pc
Allen Wrench M4



#F x 1pc
Hexagon Socket 17MM

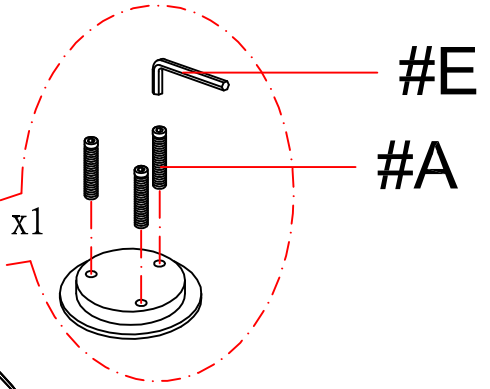
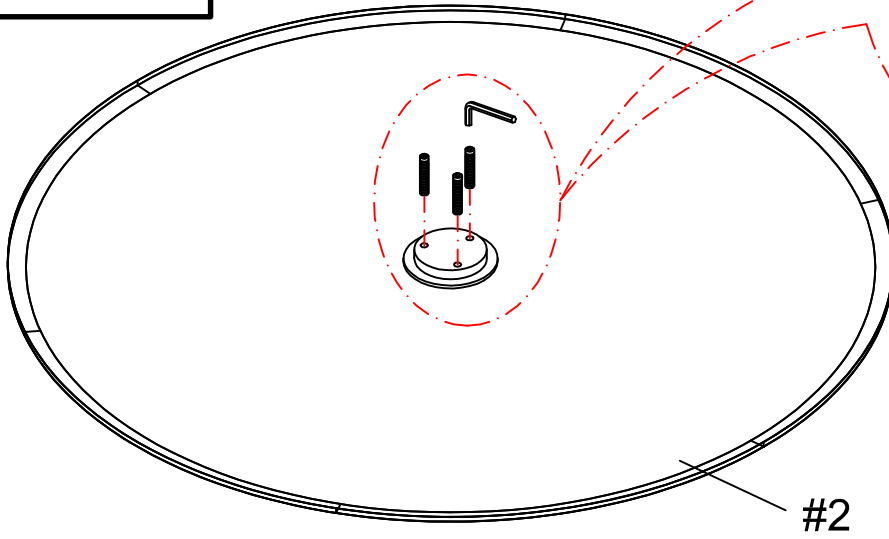
Exploded View





Align and attach bolts (#A) onto glass top (#2).

#A X 3pcs



x1

#E

#A

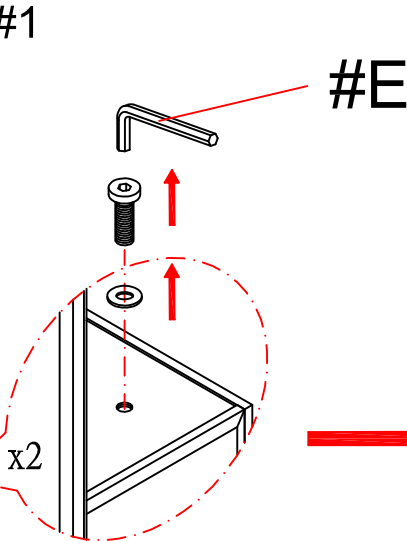
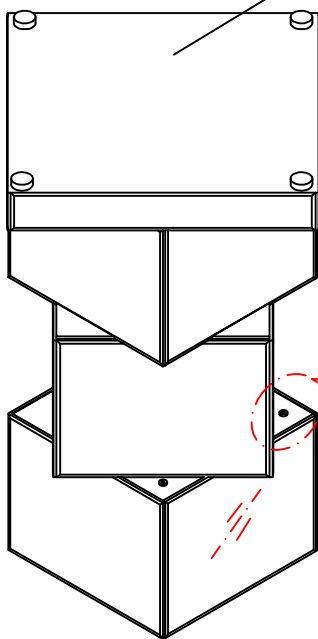
#2



Remove the panel from the base (#1).

Base Upside Down #1

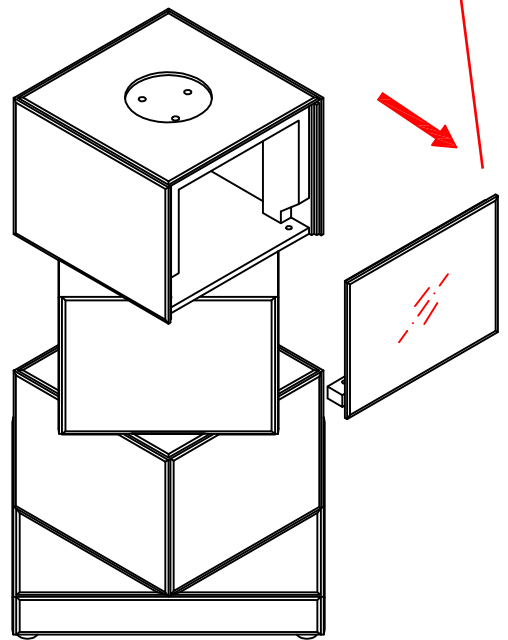
Base Right Side Up



#E

x2

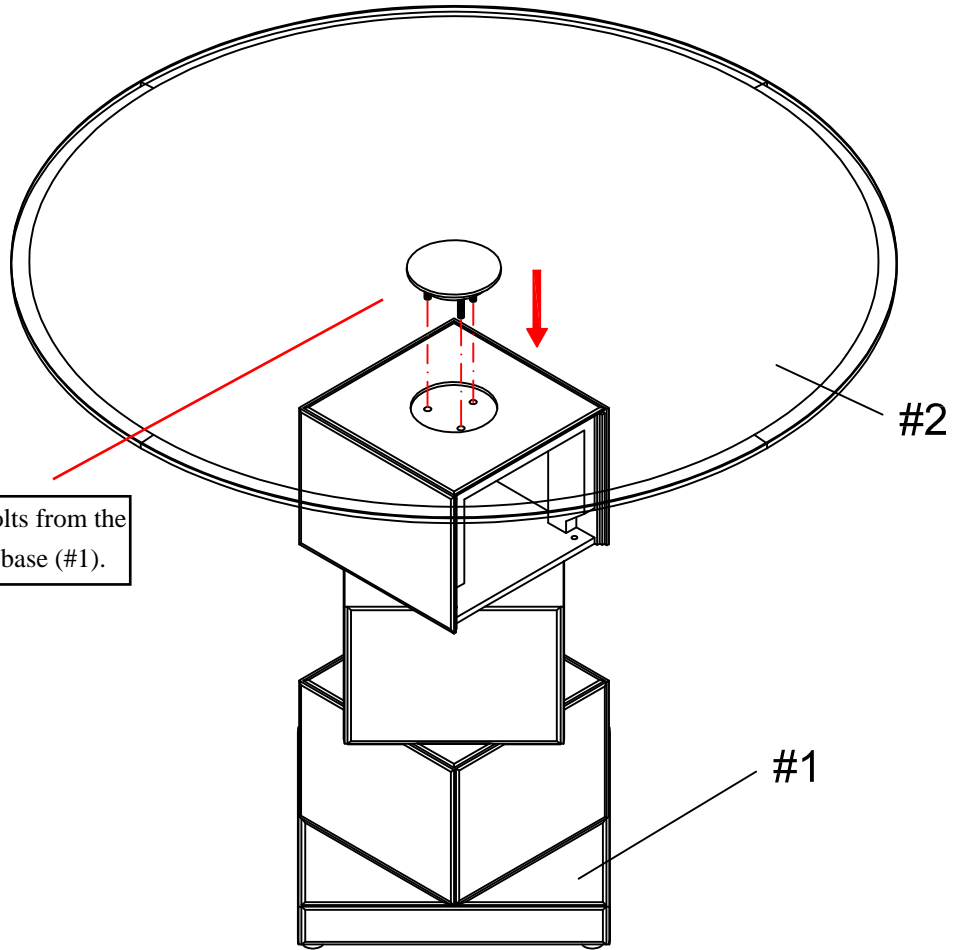
1) Unscrew bolts of the top base.



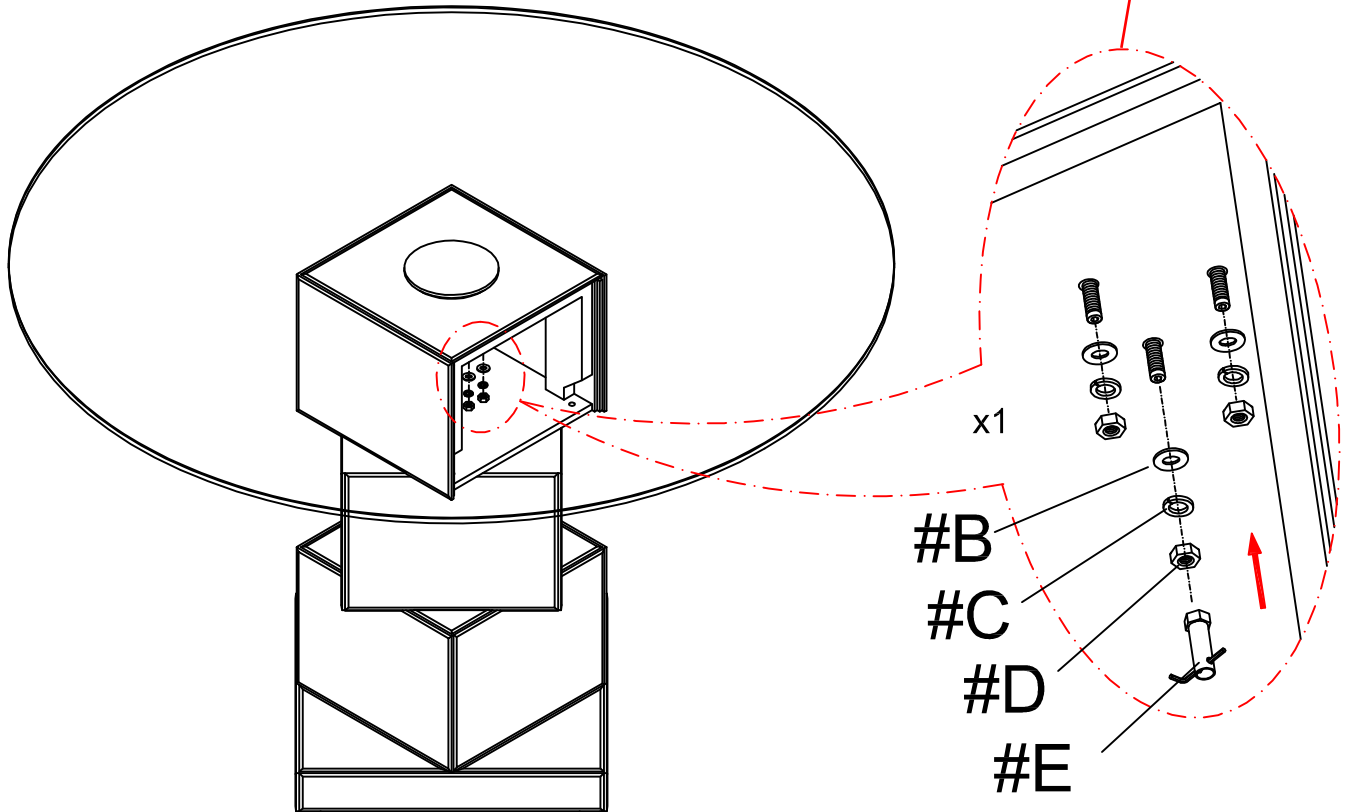


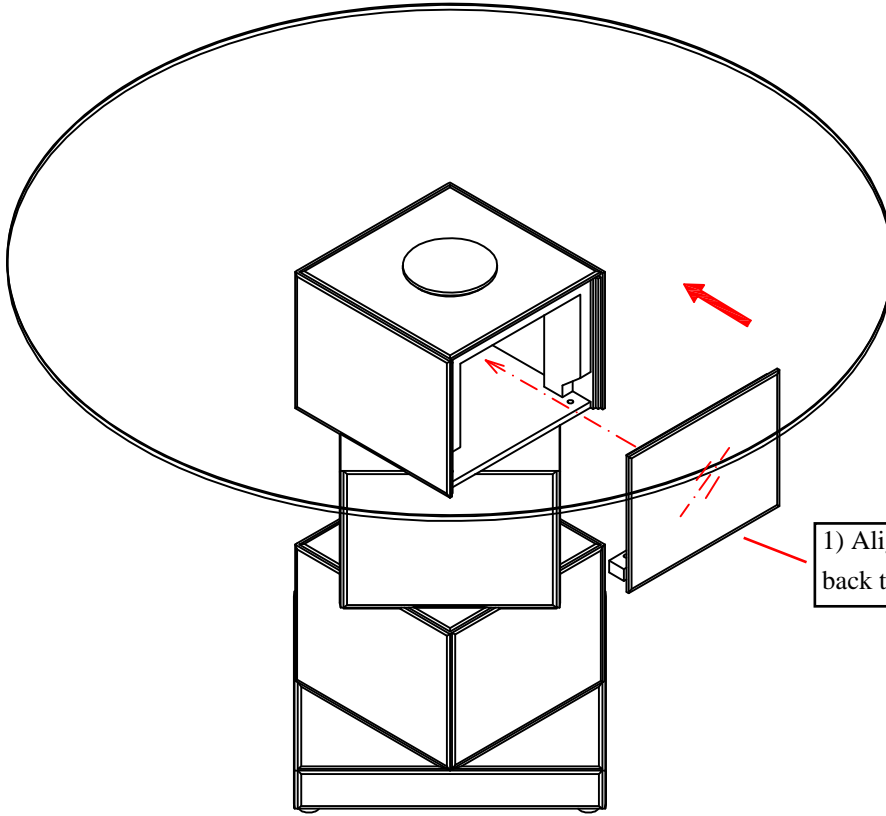
#B x 3pcs
#C x 3pcs
#D x 3pcs

1) Carefully align and insert the bolts from the glass top (#2) into the holes of the base (#1).

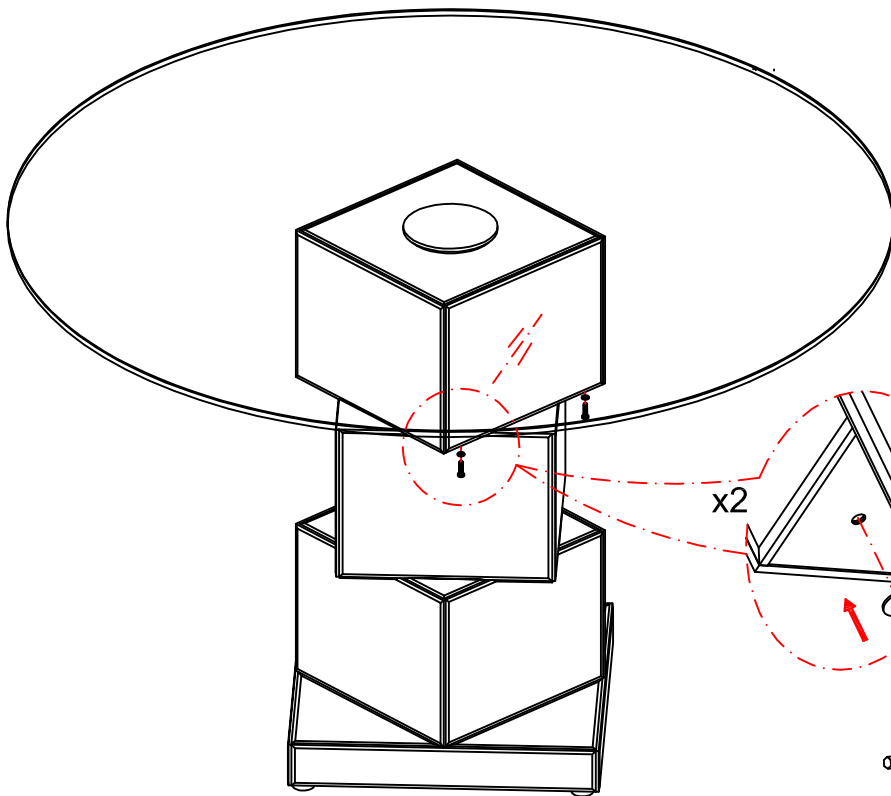


2) Insert flat washer (#B), lock washer (#C), then hex nut (#D) onto bolts from the glass top. Secure and tighten hex nut (#D).





1) Align and insert panel back to base.



2) Secure panel by using the same bolts.

x2



#E