



**Furniture of America**<sup>®</sup>

E-Commerce by Enitial Lab

# ASSEMBLY INSTRUCTIONS

MODEL #

**CM3351PT-5PK**

Questions?

GIVE US CALL: 1-888-980-5122  
MON-FRI 8:30AM - 5:30PM (PST)

## TOOLS REQUIRED



Allen Wrench

(Included)



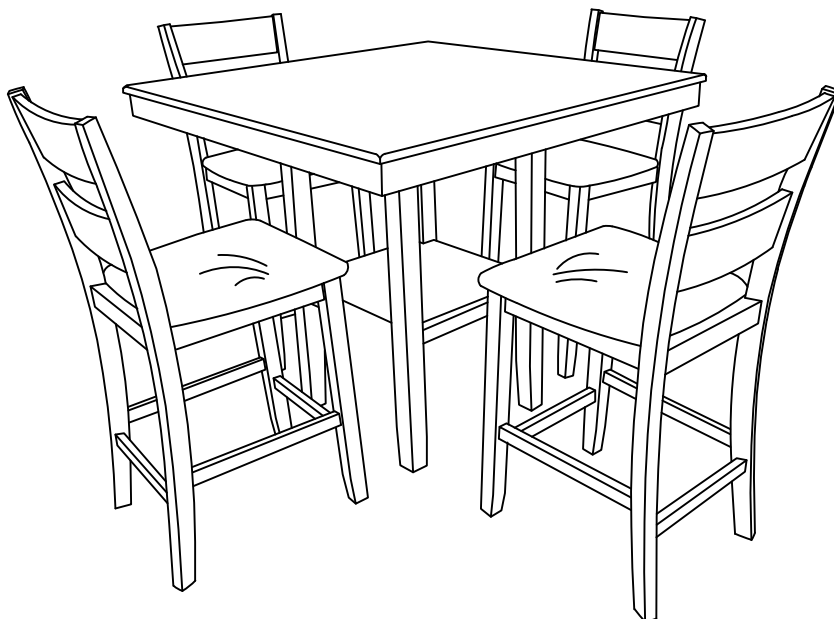
Phillips Screwdriver

(Not Included)



Wrench 8mm

(Included)



2 - People  
Recommended

## ASSEMBLY RATING



EASY —————> DIFFICULT

The Assembly Rating is a 5-point system showing the level of effort needed to assemble a specific product.




FOA Intro

Thank you for your purchase!


We hope you enjoy this new addition to your home for many years to come.

Our commitment to providing quality products does not simply end when you purchase our product. We fully stand behind our products from start to finish. Our customer service department is available Monday – Friday 8:30 AM – 5:30 PM Pacific and can help with assembly questions as well as, if necessary, replacing damaged or missing parts. To help expedite our service, please have these assembly instructions readily available, along with your order receipt.

 **Consumer Hotline**  
Toll-Free 1-888-980-5122

 **WEBSITE**  
[www.foagroup.com](http://www.foagroup.com)

    foagroup

 **Monday to Friday**  
8:30AM- 5:30PM (PST)

 **E-MAIL**  
[cs.ec@foagroup.com](mailto:cs.ec@foagroup.com)

 FurnitureOfAmerica

---

## CHECK BEFORE STARTING

**Are you missing anything?**

Double-check all parts, hardware and accessories listed on Page 6 are accounted for.

**Should we send any replacements?**

Are there any irregularities or flaws in the parts? We can send replacements!

**Check out our Quick Tips!**

We recommend reviewing the pre-assembly handouts. Even experts need a refresher now and then!

**Prep Time!**

Please review the assembly instructions and all diagrams prior to assembling. Arrange parts as recommended on Page 7 and group identical hardware together to make assembling easier.

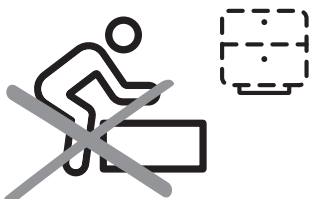
# PRE ASSEMBLY INTRODUCTION

We understand building ready-to-assemble furniture can be a challenging experience for some. To help avoid confusion, we have provided some helpful tips that may speed up the process.



## Teamwork

ALWAYS have at least two people to help with transporting and assembling the product to avoid potential injury and/or damage.



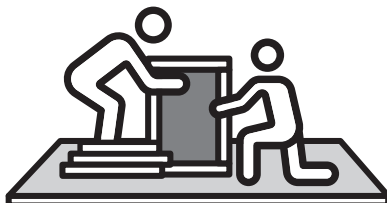
## Suitable Location

Assembling near the area of the intended location is highly recommended.



## Sufficient Space

Make sure you have enough space to move around during the assembly.



## Avoid Scratches

Use cardboard, blankets or a carpeted area while assembling furniture to prevent scratches.



## Flat Surface

Make sure the furniture rests on a flat and level surface with each leg evenly touching the floor.

# ASSEMBLY AND CARE ADVICE



**FAILURE TO FOLLOW THE GUIDELINES BELOW MAY RESULT IN INJURY AND/OR PROPERTY DAMAGE.**



Position each part correctly and insert screws or bolts into their respective holes.



Turn clockwise to tighten and only tighten when step is completed or when instructed to do so.



Use the appropriate hand tools or power tools for assembly. Select steps, such as tightening screws and/or bolts, may require hand tools to avoid causing damage during assembly.



Save the instructions and store any supplied tools for later maintenance.



After two weeks, check and tighten any loose hardware and repeat again every six months thereafter.

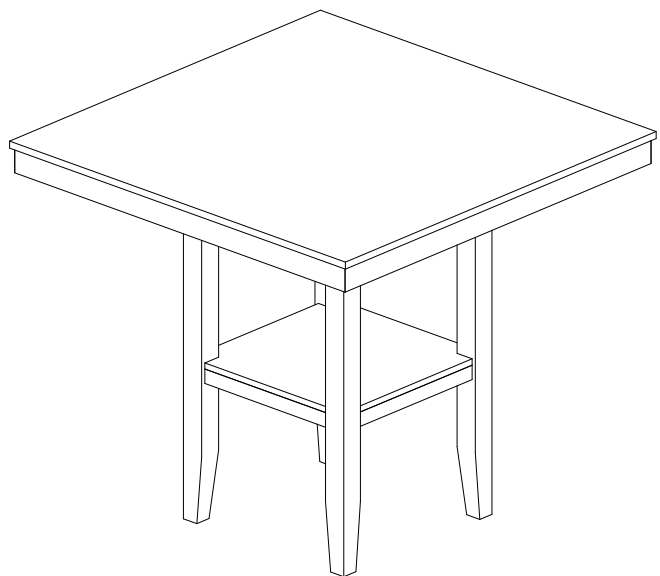
**IT IS THE USER'S RESPONSIBILITY TO MAINTAIN THE FURNITURE. THE HARDWARE MAY LOOSEN OVER TIME AND MAY CAUSE THE FURNITURE TO BE WOBBLY AND UNABLE TO SUPPORT ITS INTENDED WEIGHT CAPACITY. THIS MAY LEAD TO COLLAPSE AND MAY CAUSE SERIOUS INJURY.**

# TABLE

CM3351PT-5PK



- Please keep instructions for future reference.
- Check the quantity and irregularity of parts and hardware before you start.



## PARTS

#1 1pc

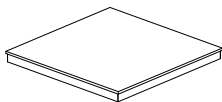


Table Top

#2 4pcs

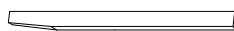
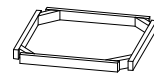


Table Leg

#3 1pc



Apron

#4 1pc



Middle Shelf

#5 2pcs



Connect Board

## HARDWARE

#A 12pcs



Bolt  $\varnothing 1/4"$ X1-15/16"

#B 12pcs



Lock Washer  $\varnothing 1/4"$

#C 28pcs



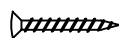
Flat Washer  $\varnothing 1/4"$

#D 1pc



Allen Wrench 4mm

#E 16pcs



Wood Screw #4x30mm

#F 2pcs

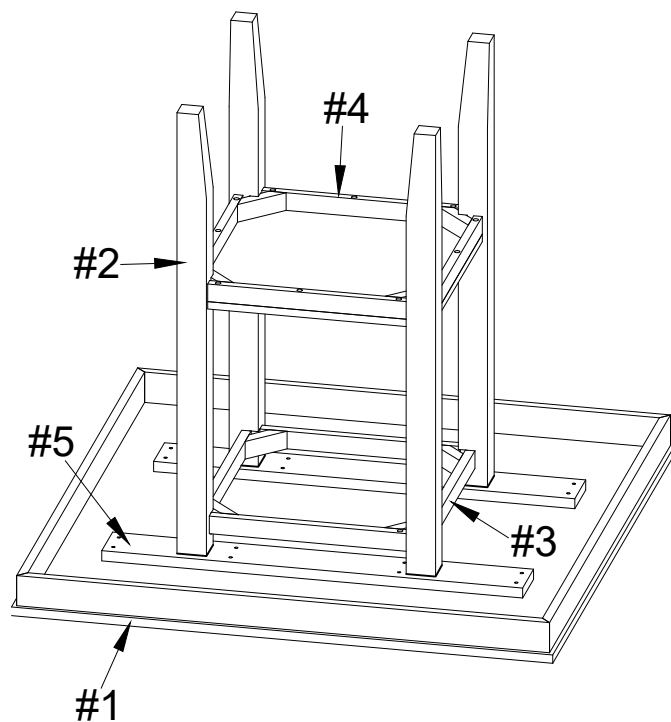


Wood Dowel #10x3/4"

# ASSEMBLY INSTRUCTIONS

1

## Exploded View



2

Part #2 x4pcs

Part #3 x1pc

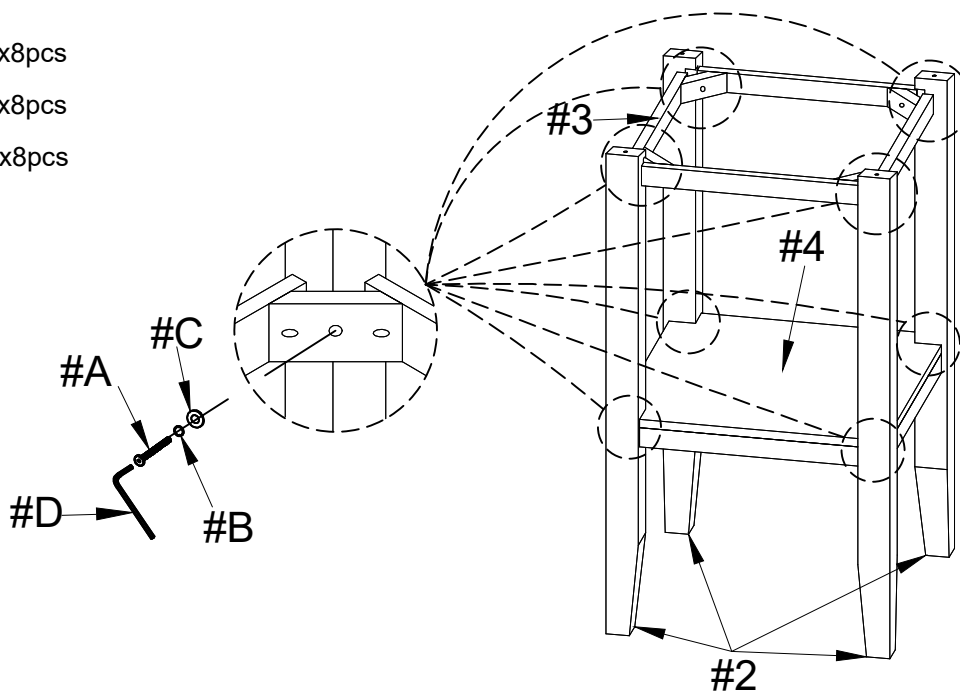
Part #4 x1pc

Hardware #A x8pcs

Hardware #B x8pcs

Hardware #C x8pcs

Prepare 8 bolts assembly by inserting lock washer (#B), then flat washer (#C) onto bolts (#A). Align legs (#2) to the holes of the apron (#3) and middle shelf (#4). Secure with bolts (#A).

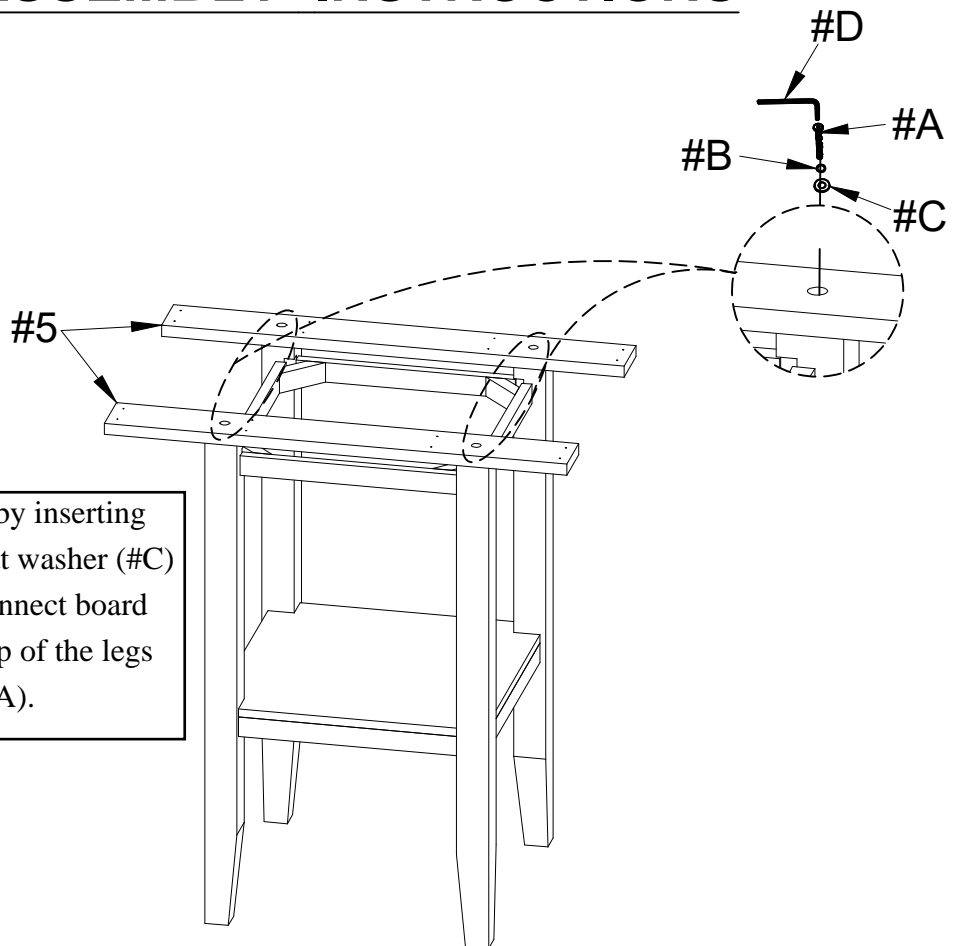


# ASSEMBLY INSTRUCTIONS

## 3

- Part #5 x2pcs
- Hardware #A x4pcs
- Hardware #B x4pcs
- Hardware #C x4pcs

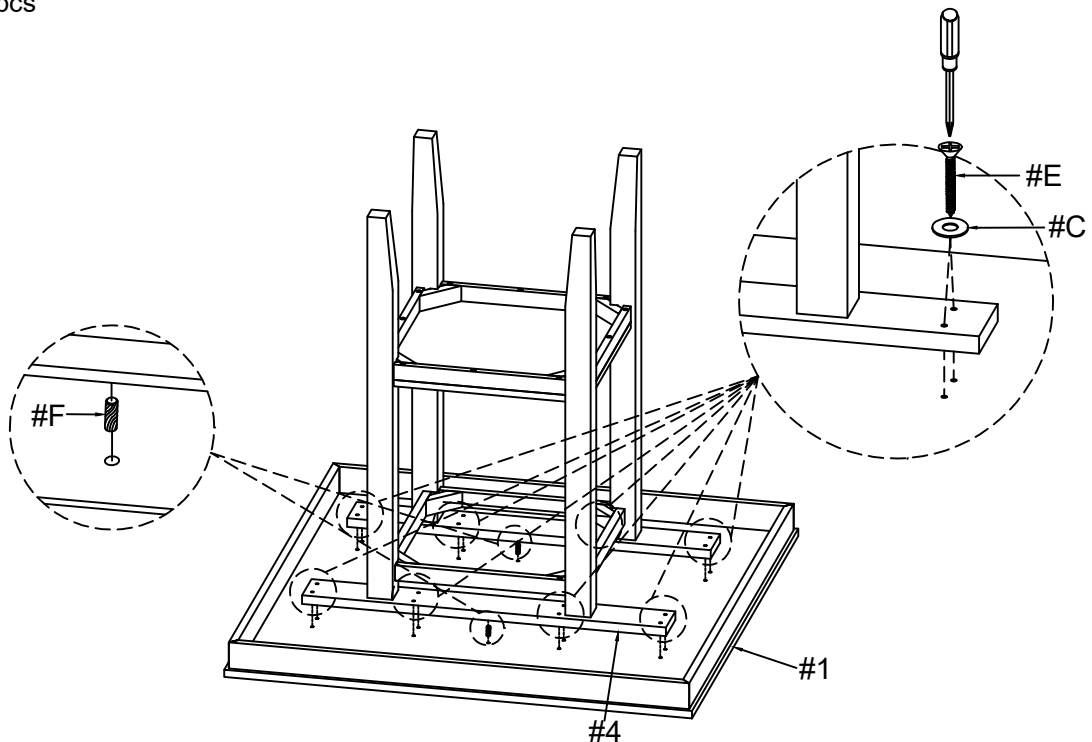
Prepare 4 bolts assembly by inserting lock washer (#B), then flat washer (#C) onto bolts (#A). Align connect board (#5) to the holes on the top of the legs (#2). Secure with bolts (#A).



## 4

- Hardware #C x 16pcs
- Hardware #E x 16pcs
- Hardware #F x 2pcs

Prepare 16 screws assembly by inserting flat washer (#C) onto screws (#E). Insert wood dowels (#F) to the center holes of the connect board (#5). Align connect board to the holes of the table top (#1). Secure with screws (#E).

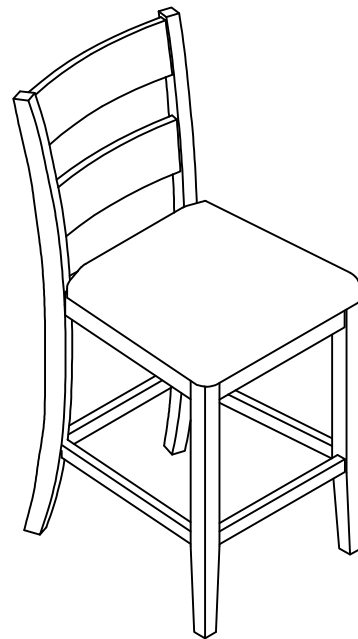


# CHAIR

CM3351PT-5PK

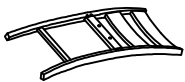


- Please keep instructions for future reference.
- Check the quantity and irregularity of parts and hardware before you start.



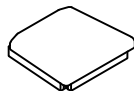
## PARTS

#1 1pc x4



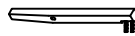
Chair Back

#2 1pc x4



Cushion Seat

#3 1pc x4



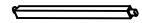
Leg(L&R)

#4 1pc x4



Front Stretcher

#5 2pcs x4



Stretcher(L&R)

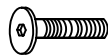
## HARDWARE

#A 4pcs x4



Bolt Ø1/4"X3-1/8"

#B 2pcs x4



Bolt Ø1/4"X1-1/2"

#C 6pcs x4



Lock WasherØ 1/4"

#D 6pcs x4



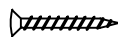
Flat Washer Ø 1/4"

#E 4pcs x4



Hex Nut Ø 5/16"

#F 6pcs x4



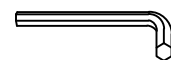
Wood Screw  
#4x38mm

#G 1pc x4



Wrench 8mm

#H 1pc x4



Allen Wrench 4mm

#I 4pcs x4



Lock WasherØ 5/16"

#J 4pcs x4



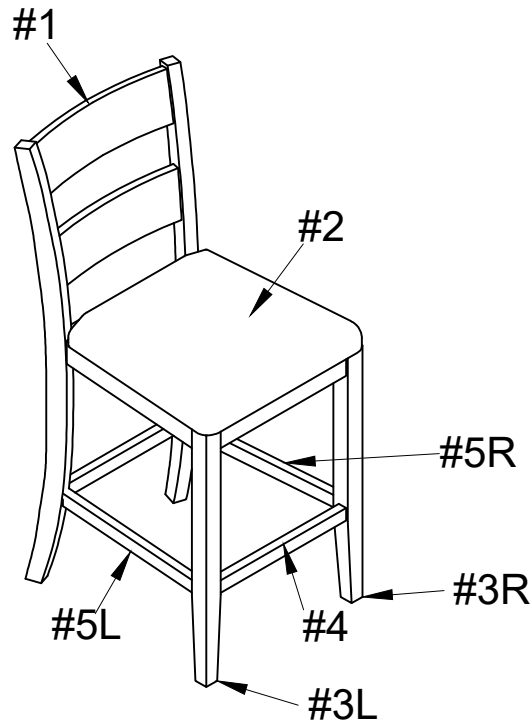
Flat Washer Ø 5/16"



# ASSEMBLY INSTRUCTIONS

1

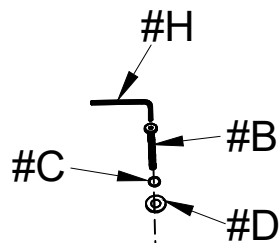
## Exploded View



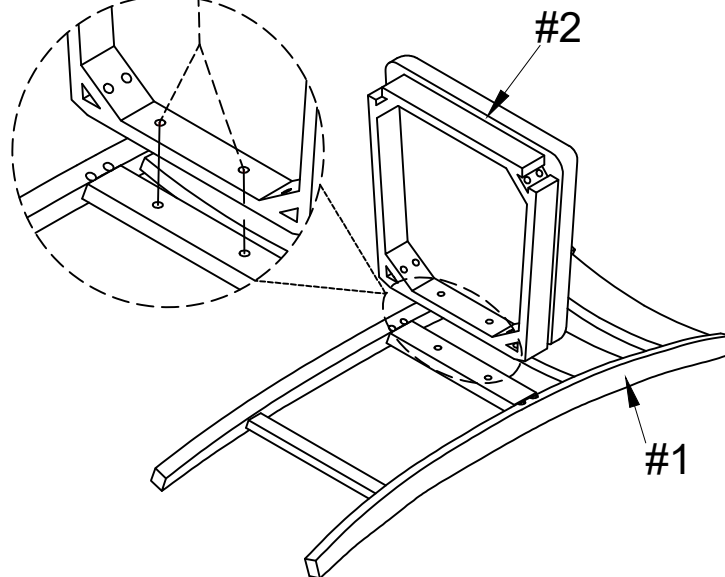
x4

2

- Part #1 x1pc
- Part #2 x1pc
- Hardware #B x2pcs
- Hardware #C x2pcs
- Hardware #D x2pcs



Prepare 2 bolts assembly by inserting lock washer (#C), then flat washer (#D) onto bolts (#B). Align chair seat (#2) to the holes of the chair back (#1). Secure the middle two holes with bolts (#B).



x4

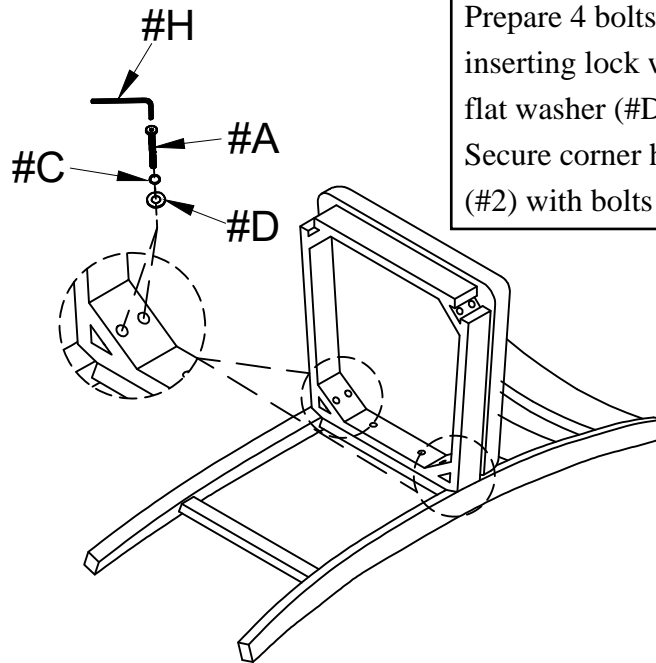
# ASSEMBLY INSTRUCTIONS

## 3

Hardware **#A** x4pcs

Hardware **#C** x4pcs

Hardware **#D** x4pcs



Prepare 4 bolts assembly by inserting lock washer (#C), then flat washer (#D) onto bolts (#A). Secure corner holes of chair seat (#2) with bolts (#A).

## 4

Part **#3** x1pc

Part **#4** x1pc

Part **#5** x1pc

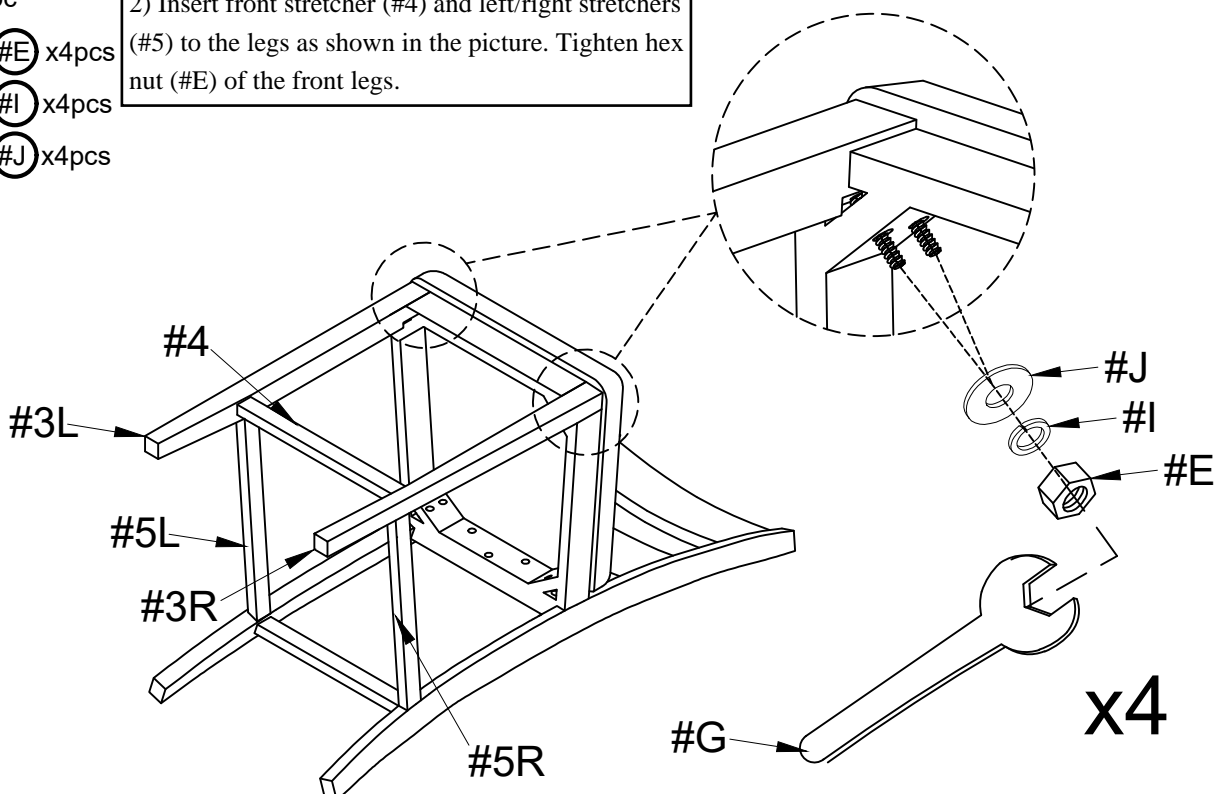
Hardware **#E** x4pcs

Hardware **#I** x4pcs

Hardware **#J** x4pcs

1) Align the front legs (#3L/R) to the holes of the chair seat (#2). Insert flat washer (#J), then lock washer (#I) onto threaded bolts of legs (#3L/R). Secure with hex nut (#E), but do not tighten.

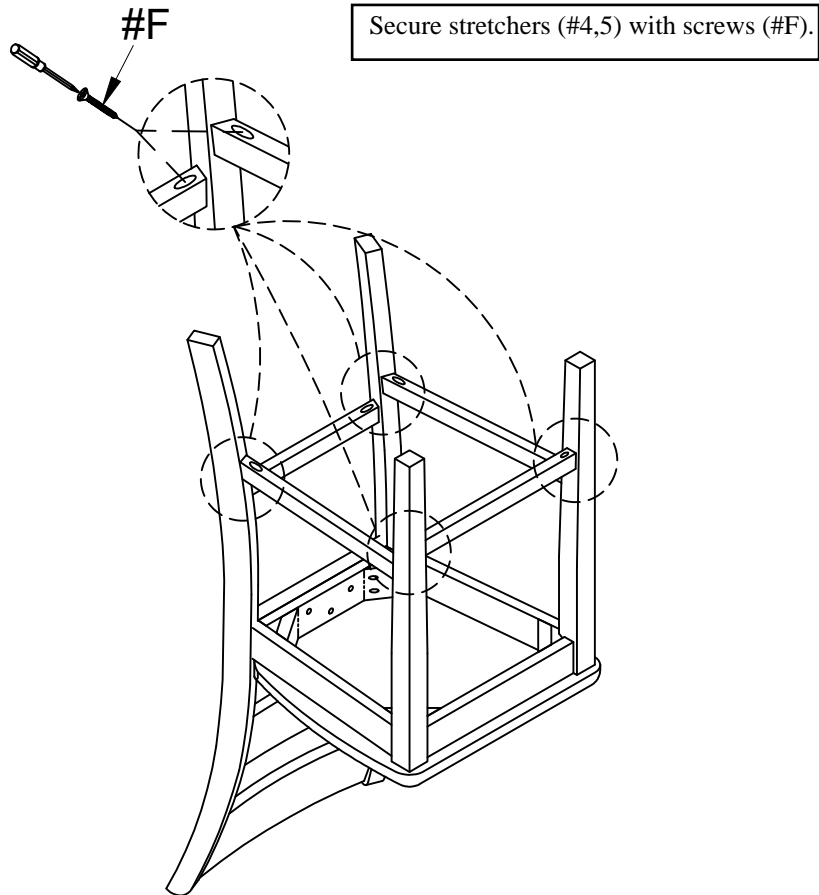
2) Insert front stretcher (#4) and left/right stretchers (#5) to the legs as shown in the picture. Tighten hex nut (#E) of the front legs.



# ASSEMBLY INSTRUCTIONS

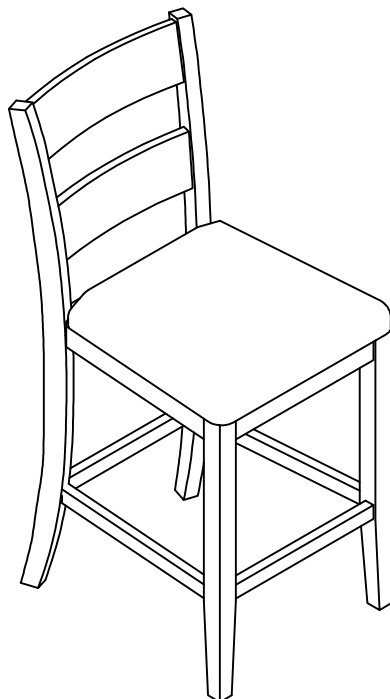
5

Hardware  x6pcs



x4

6



x4

## ASSEMBLY COMPLETED



Please ensure the furniture rests on an even and flat surface. If the product wobbles or feels loose, double-check all bolts and/or screws are properly tightened and secured.



### Keep this handy!

Please retain this instruction manual and any order-related information for future reference.



### Lift, don't drag!

To avoid damage to product please always LIFT the product when transporting or adjusting the placement.