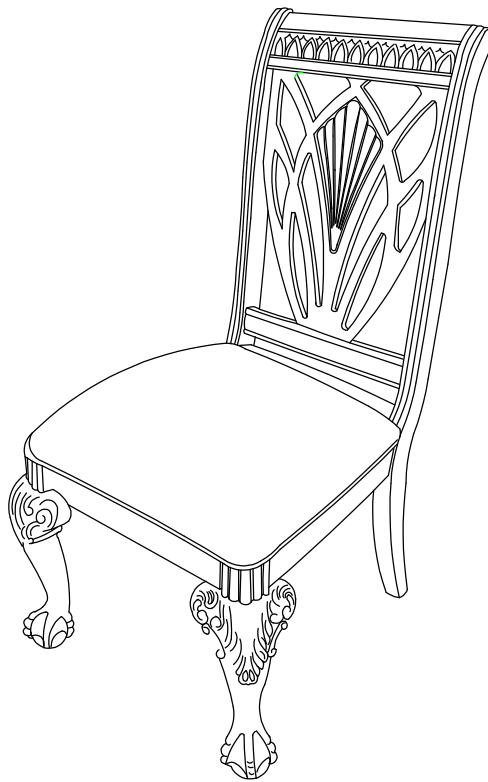


Furniture of America[®]

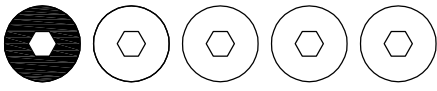
Assembly Instructions

CM3185SC-2PK



ASSEMBLY RATING

The Assembly Rating is a 5-point system that shows the degree of effort needed in assembling a specific product (with 1 being easy and 5 being difficult). For some products, two persons are recommended.

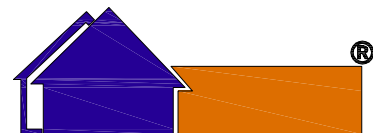
EASY  DIFFICULT

Tools Required For Assembly:

Wrench



(Included)

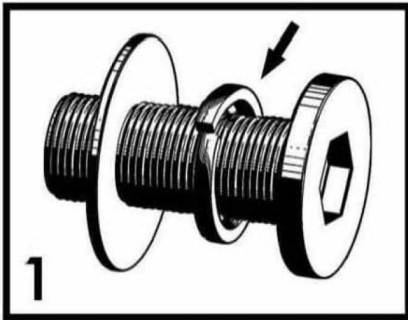


Furniture of America[®]

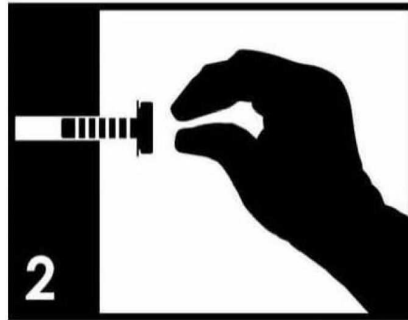
ASSEMBLY & CARE ADVICE

FOR YOUR FURNITURE TO LAST, CORRECT ASSEMBLY AND PROPER MAINTENANCE ARE NECESSARY. PLEASE FOLLOW THE INFORMATION PROVIDED BELOW TO FULLY ENJOY YOUR FURNITURE.

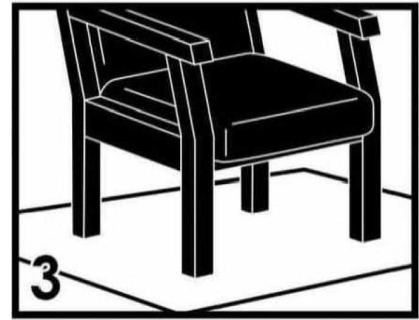
BASIC ASSEMBLY TECHNIQUES



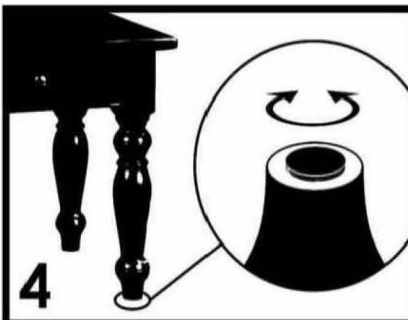
1
When lock or spring washer is used in an assembly, please make sure the lock or spring washer is placed between the larger flat washer and the head of the screw or bolt.



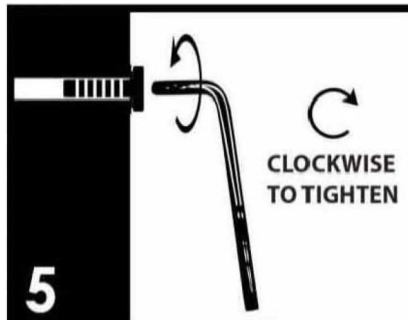
2
Position each part correctly and insert screws or bolts into their respective holes by hand tighten or using the proper hand tool. Only tighten when step is completed or when instructed to do so.



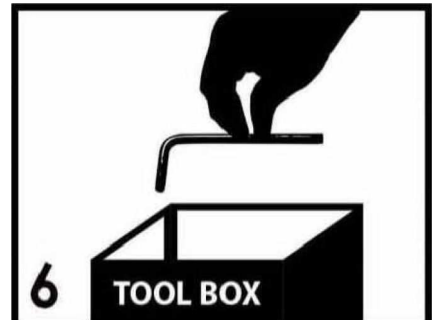
3
Use cardboard or carpet area when assembling furniture to prevent scratches. Make sure the furniture rests on a flat and level surface with each leg evenly touching the floor.



4
Some furniture comes with height adjustment knobs underneath each leg. To lower or to raise each leg, you need to turn clockwise or counterclockwise, respectively.

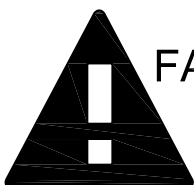


5
Make sure all parts are properly aligned, then use the appropriate hand tool to completely tighten the bolts or screws. Do not use power tools and do not overtighten.

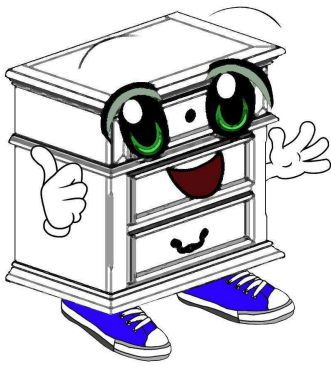


6
Save the instructions and store the Allen wrench or any supplied tool for later maintenance. After two weeks, check and tighten any loose hardware and repeat again every six months thereafter.

IT IS THE USER'S RESPONSIBILITY TO MAINTAIN THE FURNITURE. THE HARDWARE MAY LOOSEN OVER TIME AND MAY CAUSE THE FURNITURE TO BE WOBBLY AND UNABLE TO SUPPORT ITS INTENDED WEIGHT CAPACITY. THIS MAY LEAD TO COLLAPSE AND MAY CAUSE SERIOUS INJURY.



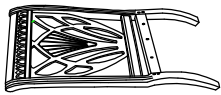
FAILURE TO FOLLOW THE GUIDELINES ABOVE MAY RESULT IN INJURY AND/OR PROPERTY DAMAGE.



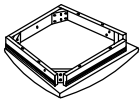
Before you begin, please read Page 2 of "Assembly and Care Advice".

And remember, do not tighten until each step is completed or instructed.

Parts List



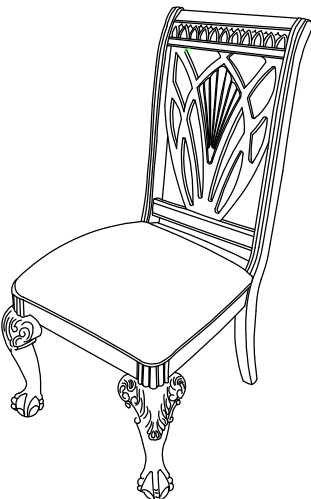
#1 x 1pc x 2
Chair Back



#2 x 1pc x 2
Seat Cushion



#3 x 2pcs x 2
Front Leg



x 2

Hardware List



#A x 4pcs x 2
Bolt Ø5/16"X3"



#B x 4pcs x 2
Bolt Ø5/16"X2-1/2"



#Cx 1pc x 2
Bolt Ø5/16"X1-1/2"



#D x 9pcs x 2
Lock Washer



#E x 9pcs x 2
Flat Washer



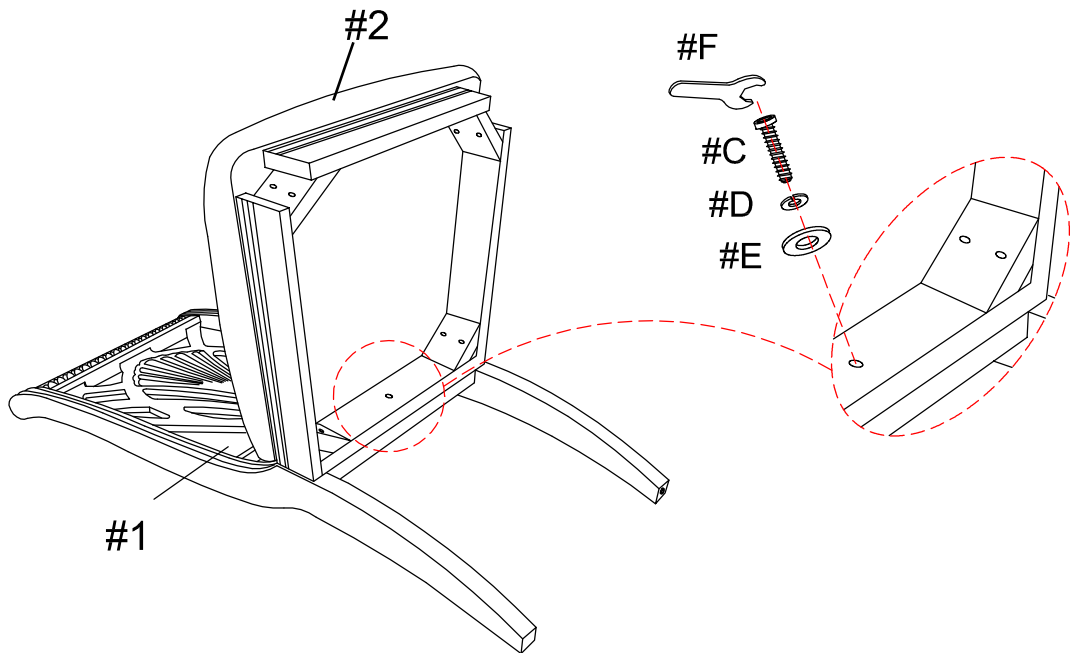
#F x 1pc
Wrench



#1

- I. Align the seat cushion (#2) to the pre-drilled hole on the chair back (#1).
- II. Prepare a bolt assembly by FIRST inserting the lock washer (#D) onto the bolt (#C) then the flat washer (#E) onto that same bolt (#C). Insert into the center hole of the seat cushion and secure using the wrench (#F).

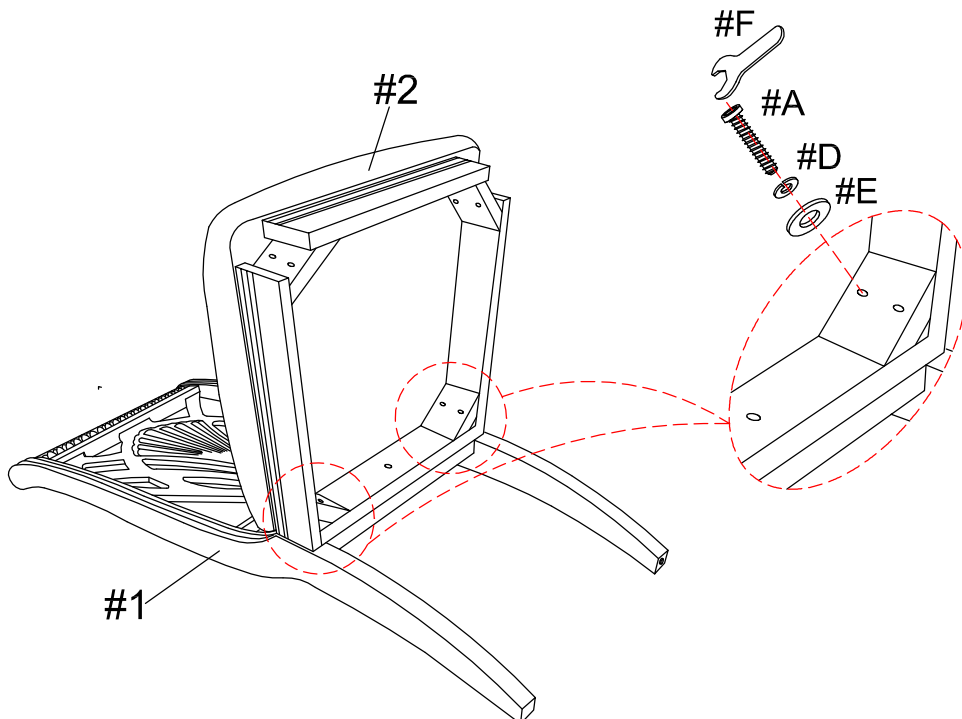
#Cx 1pc
 #Dx 1pc
 #Ex 1pc



#2

- Prepare 4 bolt assemblies by FIRST inserting the lock washer (#D) onto the bolt (#A) then the flat washer (#E) onto that same bolt (#A). Insert into the corner holes of the seat cushion and secure using the wrench (#F).

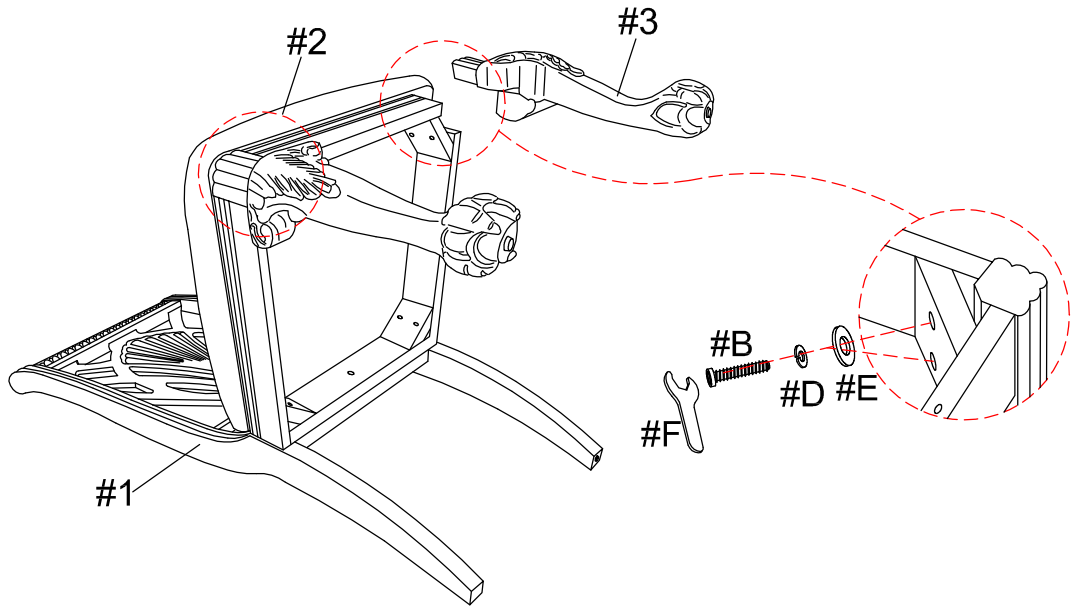
#A x 4pcs
 #D x 4pcs
 #E x 4pcs



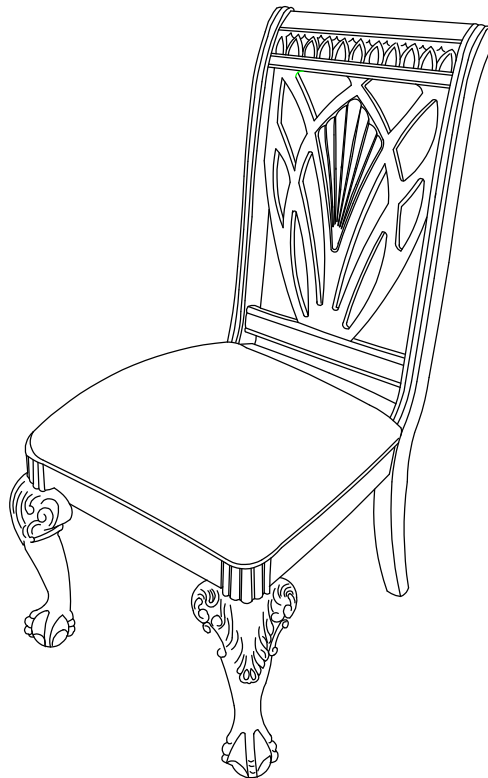


- I. Align the front legs (#3) to the pre-drilled holes on the front of the seat cushion (#2).
- II. Prepare 4 bolt assemblies by FIRST inserting the lock washer (#D) onto the bolt (#B) then the flat washer (#E) onto that same bolt (#B). Insert into the inner holes of the seat cushion and secure using the wrench (#F).

#B x 4pcs
#D x 4pcs
#E x 4pcs



Carefully turn the completed chair upright. Make sure the chair is rested on a flat surface and does not feel loose or wobbly. If it does, double check that the bolts are secured and properly tightened.



ASSEMBLY IS COMPLETED