



Furniture of America®

E-Commerce by Enitial Lab

ASSEMBLY INSTRUCTIONS

MODEL #

CM3129PT-4PK

Questions?

GIVE US A CALL: 1-888-980-5122
MON – FRI 8:30AM – 5:30PM (PST)

TOOLS REQUIRED



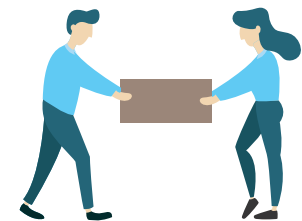
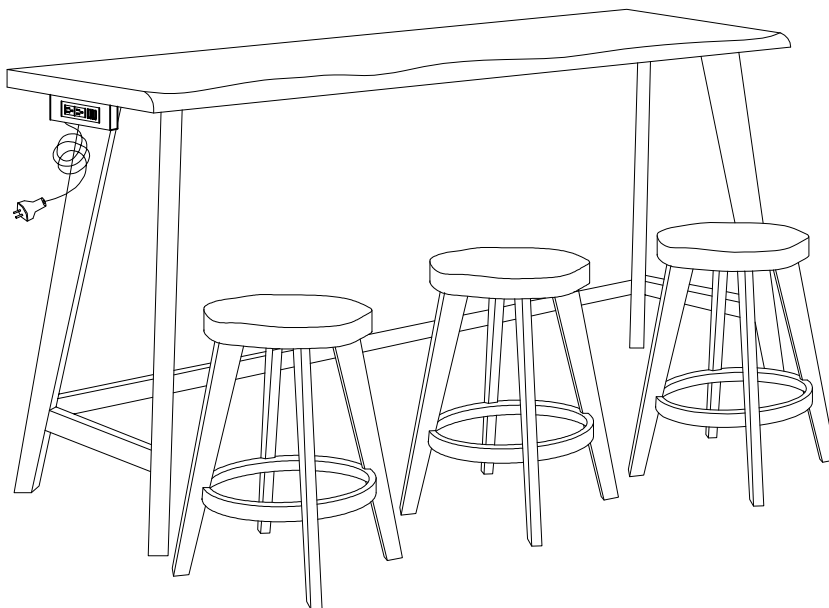
Allen Wrench

(Included)



**Phillips
Screwdriver**

(Not Included)



**2 - People
Recommended**

ASSEMBLY RATING



EASY —————> DIFFICULT

The Assembly Rating is a 5-point system showing the level of effort needed to assemble a specific product.




FOA Intro

Thank you for your purchase!


We hope you enjoy this new addition to your home for many years to come.

Our commitment to providing quality products does not simply end when you purchase our product. We fully stand behind our products from start to finish. Our customer service department is available Monday – Friday 8:30 AM – 5:30 PM Pacific and can help with assembly questions as well as, if necessary, replacing damaged or missing parts. To help expedite our service, please have these assembly instructions readily available, along with your order receipt.

 **Consumer Hotline**
Toll-Free 1-888-980-5122

 **WEBSITE**
www.foagroup.com

    foagroup

 **Monday to Friday**
8:30AM- 5:30PM (PST)

 **E-MAIL**
cs.ec@foagroup.com

 FurnitureOfAmerica

CHECK BEFORE STARTING

Are you missing anything?

Double-check all parts, hardware and accessories listed on Page 6 are accounted for.

Should we send any replacements?

Are there any irregularities or flaws in the parts? We can send replacements!

Check out our Quick Tips!

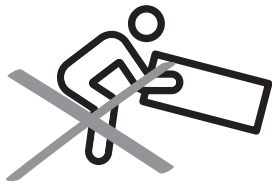
We recommend reviewing the pre-assembly handouts. Even experts need a refresher now and then!

Prep Time!

Please review the assembly instructions and all diagrams prior to assembling. Arrange parts as recommended on Page 7 and group identical hardware together to make assembling easier.

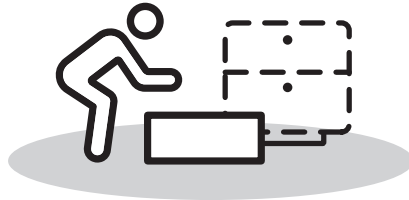
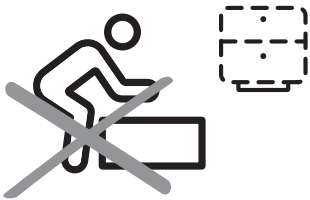
PRE ASSEMBLY INTRODUCTION

We understand building ready-to-assemble furniture can be a challenging experience for some. To help avoid confusion, we have provided some helpful tips that may speed up the process.



Teamwork

ALWAYS have at least two people to help with transporting and assembling the product to avoid potential injury and/or damage.



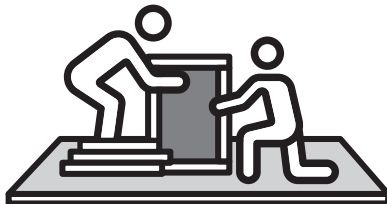
Suitable Location

Assembling near the area of the intended location is highly recommended.



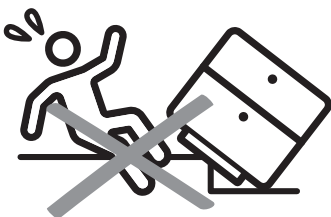
Sufficient Space

Make sure you have enough space to move around during the assembly.



Avoid Scratches

Use cardboard, blankets or a carpeted area while assembling furniture to prevent scratches.



Flat Surface

Make sure the furniture rests on a flat and level surface with each leg evenly touching the floor.

ASSEMBLY AND CARE ADVICE



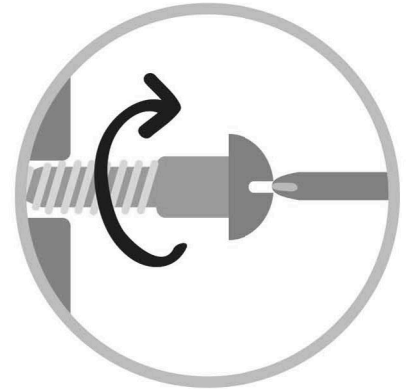
FAILURE TO FOLLOW THE GUIDELINES BELOW MAY RESULT IN INJURY AND/OR PROPERTY DAMAGE.



Position each part correctly and insert screws or bolts into their respective holes.



Use the appropriate hand tools or power tools for assembly. Select steps, such as tightening screws and/or bolts, may require hand tools to avoid causing damage during assembly.



Turn clockwise to tighten and only tighten when step is completed or when instructed to do so.



Save the instructions and store any supplied tools for later maintenance.



After two weeks, check and tighten any loose hardware and repeat again every six months thereafter.

IT IS THE USER'S RESPONSIBILITY TO MAINTAIN THE FURNITURE. THE HARDWARE MAY LOOSEN OVER TIME AND MAY CAUSE THE FURNITURE TO BE WOBBLY AND UNABLE TO SUPPORT ITS INTENDED WEIGHT CAPACITY. THIS MAY LEAD TO COLLAPSE AND MAY CAUSE SERIOUS INJURY.

COUNTER HEIGHT TABLE SET

CM3129PT-4PK



• Please keep instructions for future reference.
• Check the quantity and irregularity of parts and hardware before you start.



PARTS - TABLE

#1 1pc



Table Top

#2 2pcs

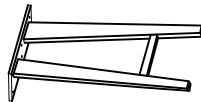


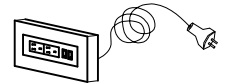
Table Leg

#3 1pc



Cross Bar

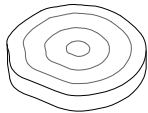
#4 1pc



USB Port

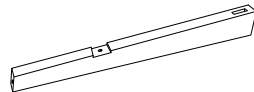
PARTS - STOOL

#5 3pcs



Wooden Seat

#6 12pcs



Stool Leg

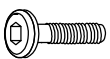
#7 3pcs



Ring

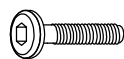
HARDWARE - TABLE

#A 14pcs



JCBC Bolt
M6 x 40mm

#B 2pcs



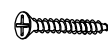
JCBC Bolt
M6 x 50mm

#C 16pcs



M6 Spring
Washer

#D 2pcs



CB Screw
M4 x 32mm

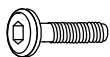
#E 1pc



M4 Allen
Wrench

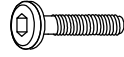
HARDWARE - STOOL

#F 12pcs



JCBC Bolt
M6 x 40mm

#G 12pcs



JCBC Bolt
M6 x 50mm

#H 24pcs



M6 Spring
Washer

#I 1pc



M4 Allen
Wrench

ASSEMBLY INSTRUCTIONS

1

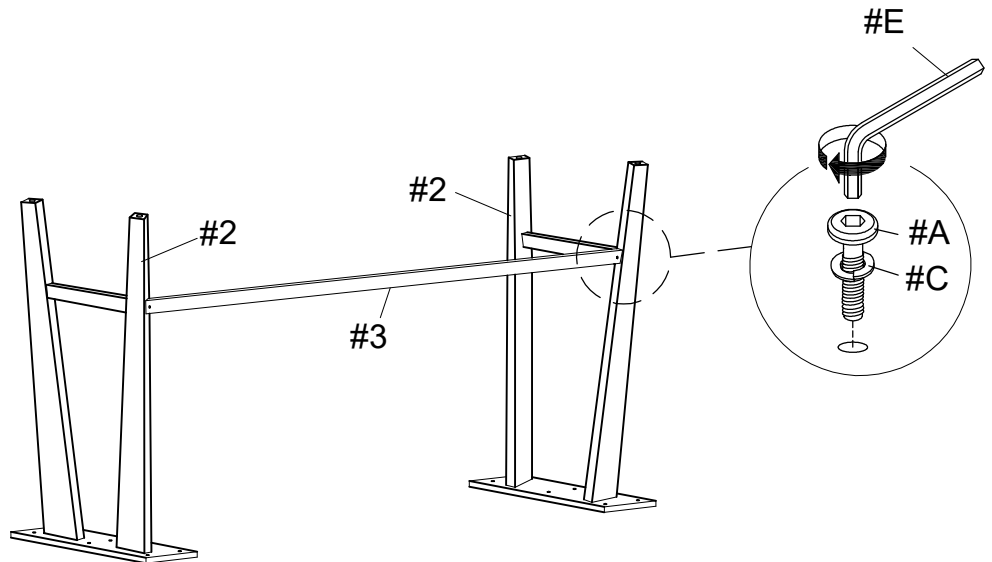
Part (#2) x 2pcs

Part (#3) x 1pc

Hardware (#A) x 2pcs

Hardware (#C) x 2pcs

Align crossbar (#3) to table legs (#2), then secure by using bolts (#A) with washers (#C).



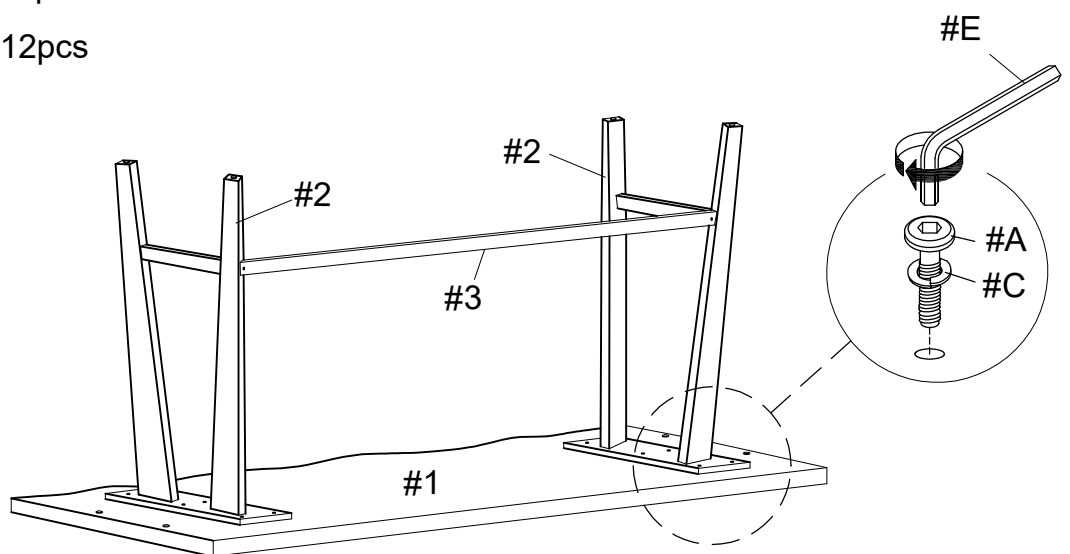
2

Part (#1) x 1pc

Hardware (#A) x 12pcs

Hardware (#C) x 12pcs

Align table legs (#2) to table top (#1), then secure by using bolts (#A) with washers (#C).



ASSEMBLY INSTRUCTIONS

3

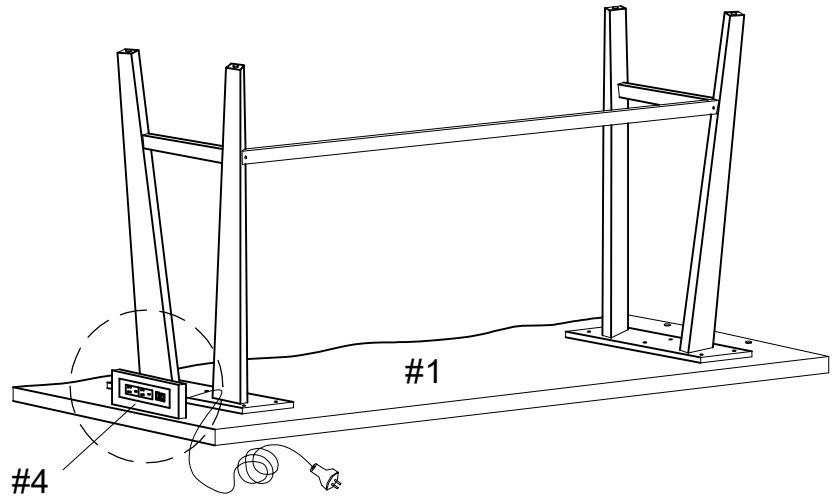
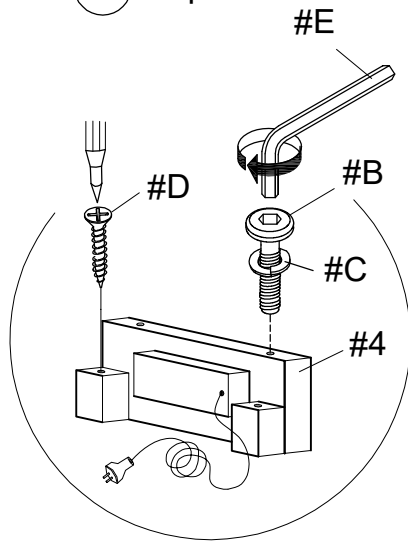
Part #4 x 1pc

Hardware #B x 2pcs

Hardware #C x 2pcs

Hardware #D x 2pcs

Align USB port (#4) to either side of the table top (#1), then secure by using bolts (#B) with washers (#C) and screws (#D).



* Both sides can be assembled

4

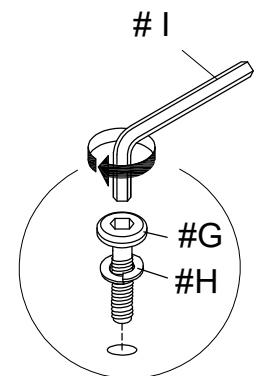
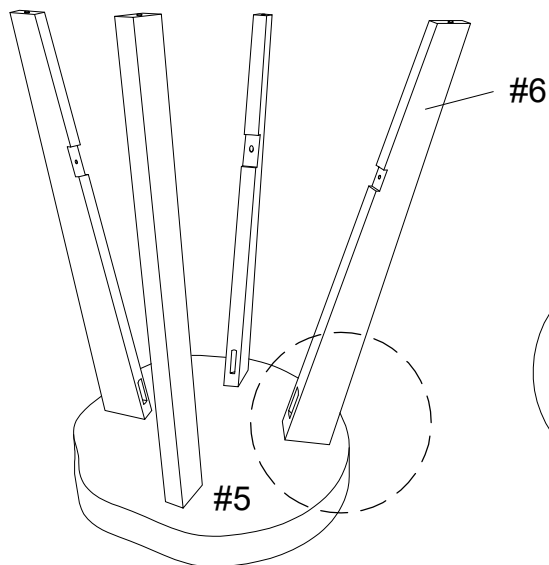
Part #5 x 3pcs

Part #6 x 12pcs

Hardware #G x 12pcs

Hardware #H x 12pcs

Align stool legs (#6) to the stool seat (#5), then secure by using bolts (#G) with washers (#H).



x 3

ASSEMBLY INSTRUCTIONS

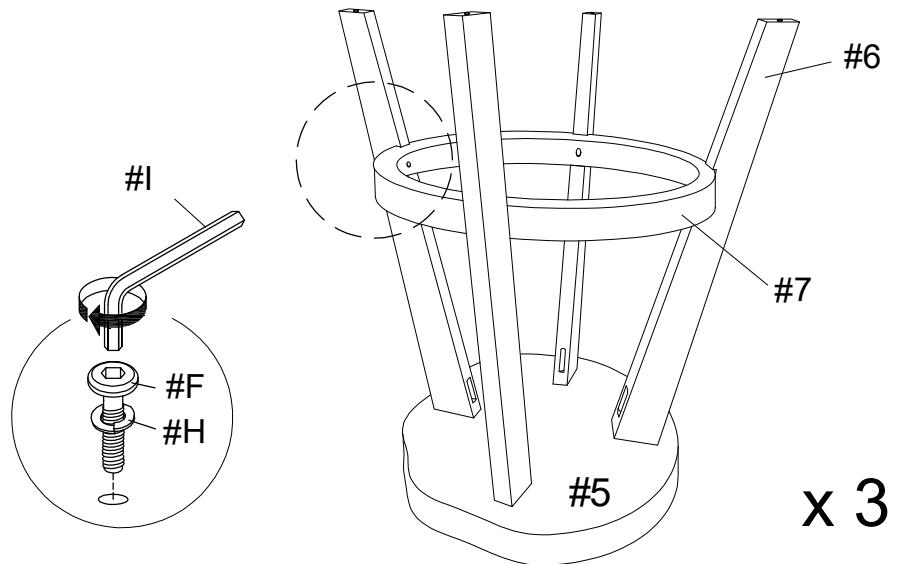
5

Part (#7) x 3pcs

Hardware (#F) x 12pcs

Hardware (#H) x 12pcs

Align ring (#7) to the stool legs (#6), then secure by using bolts (#F) with washers (#H).



6



ASSEMBLY COMPLETED



Please ensure the furniture rests on an even and flat surface. If the product wobbles or feels loose, double-check all bolts and/or screws are properly tightened and secured.



Keep this handy!

Please retain this instruction manual and any order-related information for future reference.



Lift, don't drag!

To avoid damage to product please always LIFT the product when transporting or adjusting the placement.