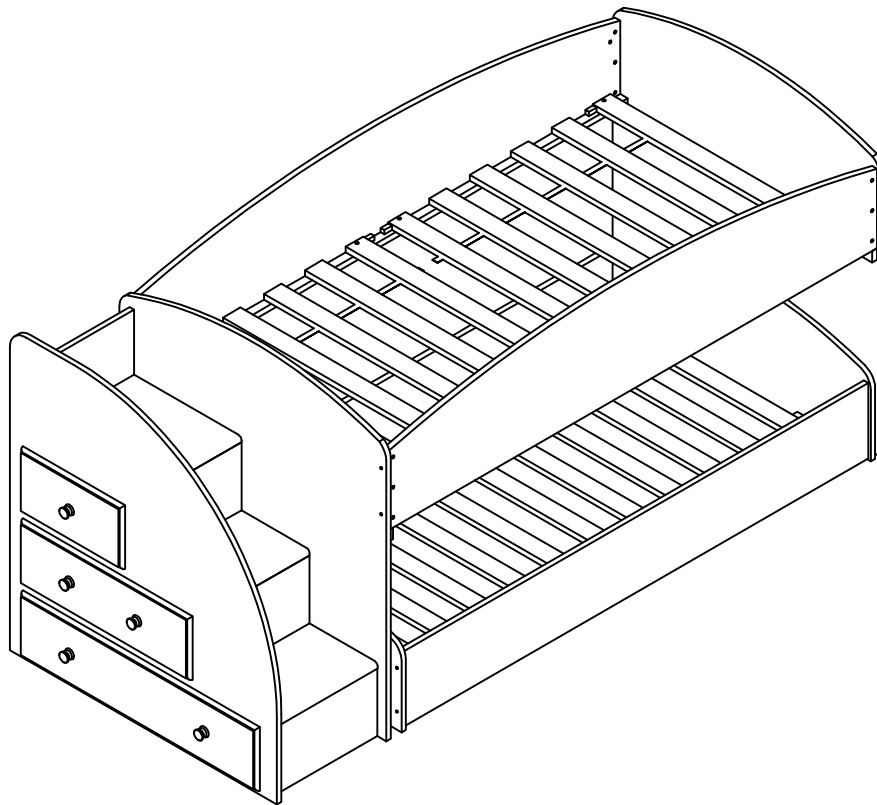


Furniture of America®

Assembly Instructions

CM-BK921T-1



ASSEMBLY RATING

The Assembly Rating is a 5-point system that shows the degree of effort needed in assembling a specific product (with 1 being easy and 5 being difficult). For some products, two persons are recommended.

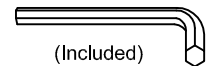
EASY



DIFFICULT

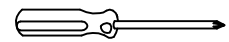
Tools Required For Assembly:

Allen Wrench

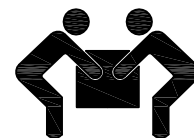


(Included)

Phillips Screwdriver



(Not Included)

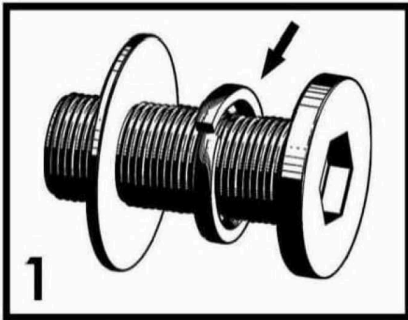


2 PERSONS RECOMMENDED

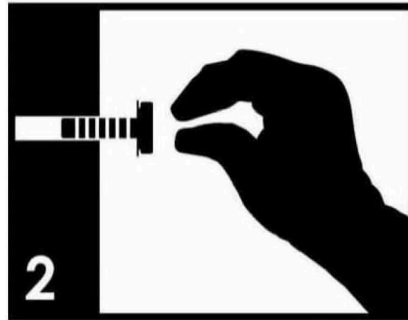
ASSEMBLY & CARE ADVICE

FOR YOUR FURNITURE TO LAST, CORRECT ASSEMBLY AND PROPER MAINTENANCE ARE NECESSARY. PLEASE FOLLOW THE INFORMATION PROVIDED BELOW TO FULLY ENJOY YOUR FURNITURE.

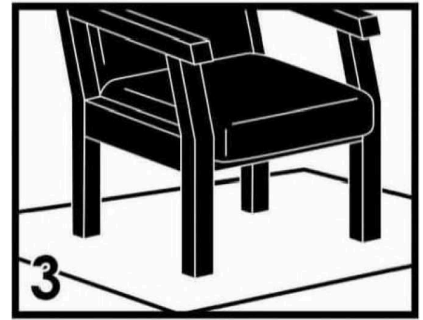
BASIC ASSEMBLY TECHNIQUES



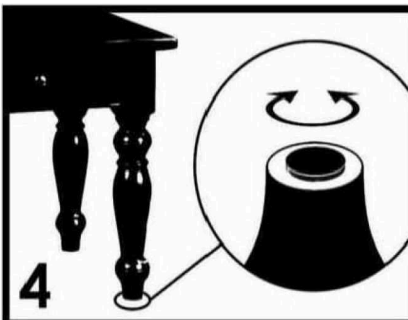
When lock or spring washer is used in an assembly, please make sure the lock or spring washer is placed between the larger flat washer and the head of the screw or bolt.



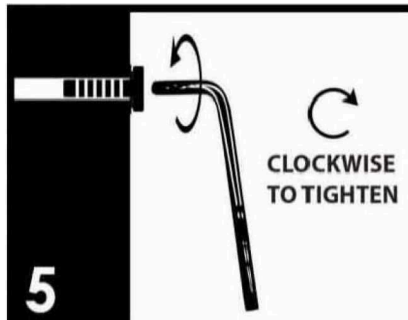
Position each part correctly and insert screws or bolts into their respective holes by hand tighten or using the proper hand tool. Only tighten when step is completed or when instructed to do so.



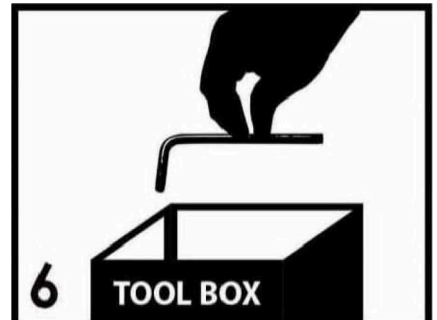
Use cardboard or carpet area when assembling furniture to prevent scratches. Make sure the furniture rests on a flat and level surface with each leg evenly touching the floor.



Some furniture comes with height adjustment knobs underneath each leg. To lower or to raise each leg, you need to turn clockwise or counterclockwise, respectively.

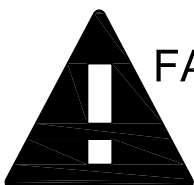


Make sure all parts are properly aligned, then use the appropriate hand tool to completely tighten the bolts or screws. Do not use power tools and do not overtighten.

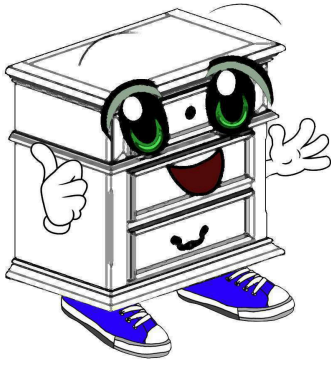


Save the instructions and store the Allen wrench or any supplied tool for later maintenance. After two weeks, check and tighten any loose hardware and repeat again every six months thereafter.

IT IS THE USER'S RESPONSIBILITY TO MAINTAIN THE FURNITURE. THE HARDWARE MAY LOOSEN OVER TIME AND MAY CAUSE THE FURNITURE TO BE WOBBLY AND UNABLE TO SUPPORT ITS INTENDED WEIGHT CAPACITY. THIS MAY LEAD TO COLLAPSE AND MAY CAUSE SERIOUS INJURY.



FAILURE TO FOLLOW THE GUIDELINES ABOVE MAY RESULT IN INJURY AND/OR PROPERTY DAMAGE.



Before you begin, please read Page 2 of "Assembly and Care Advice".

And remember, do not tighten until each step is completed or instructed.

Parts List



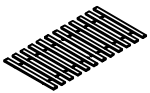
#1 x 1pc
Right Bed End



#2 x 1set
Box Headboard



#3 x 2pcs
Bed Rail



#4 x 2sets
Roll Slat (24pcs)



#5 x 1pc
Right Bottom Bed end



#6 x 1pc
Left Bottom Bed end



#7 x 2pcs
Bottom Bed Rail

Hardware List



#A x 16pcs
Long Bolt \varnothing 1/4" x 3-9/16"



#B x 16pcs
Barrel \varnothing 1/4" x 1/2"



#C x 16pcs
Wood Dowel M10 x 1-9/16"



#D x 16pcs
Medium Bolt \varnothing 1/4" x 1-3/16"



#E x 1pcs
Allen Wrench M4



#F x 12pcs
Short Bolt \varnothing 1/4" x 5/8"



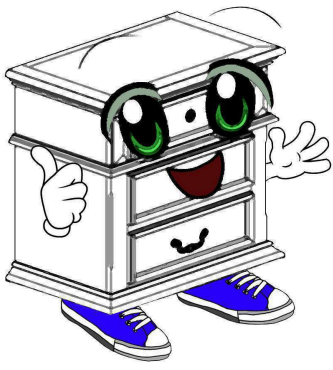
#G x 12pcs
Rivet - Nut



#H x 6pcs
Castor

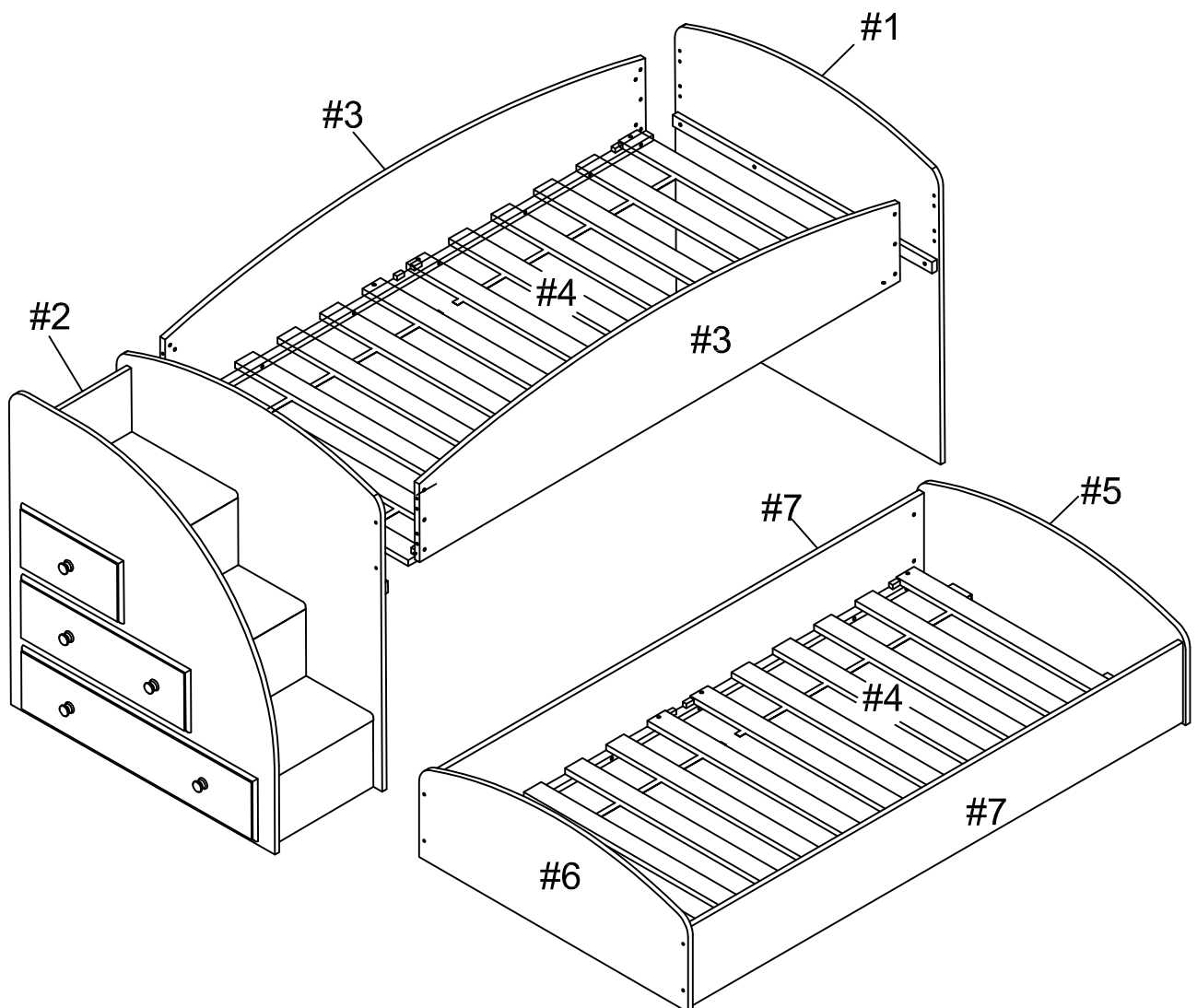


#I x 12pcs
Screw



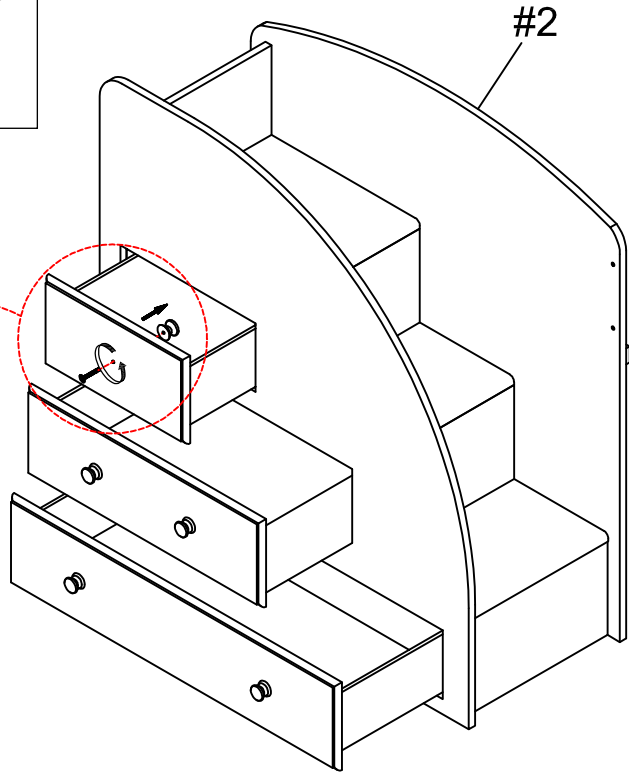
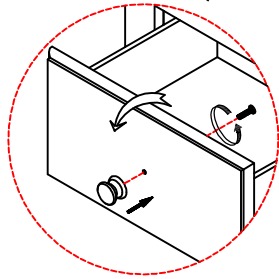
Before you begin, please read Page 2 of "Assembly and Care Advice".

And remember, do not tighten until each step is completed or instructed.



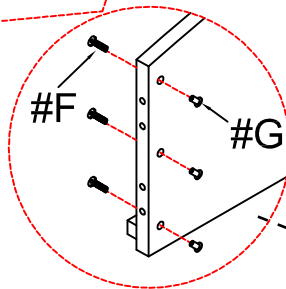
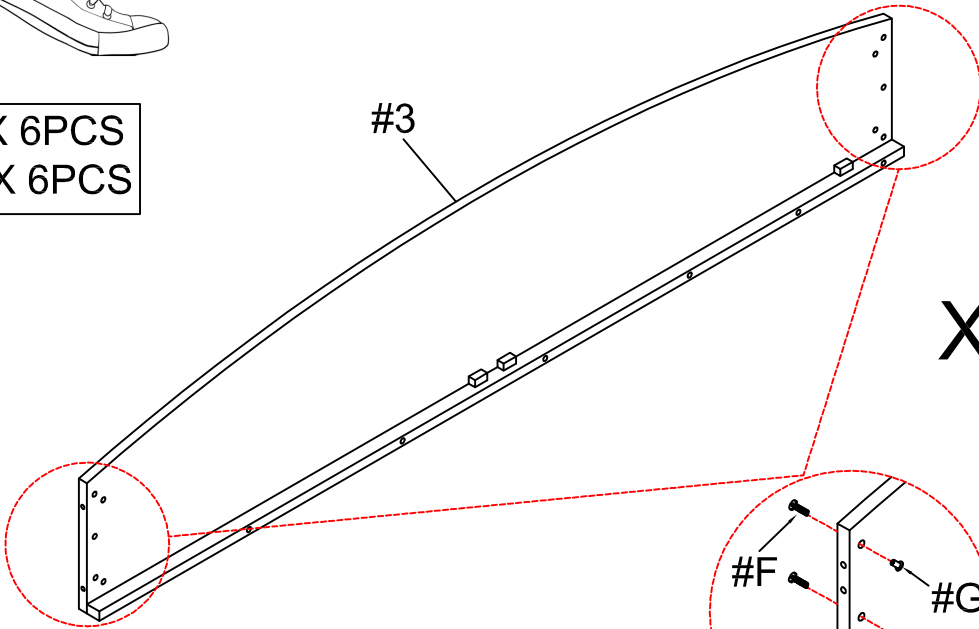


Remove the screws by using a screwdriver, then align the knobs onto the outer side of the drawer and screws in the inner side. Secure using a screwdriver.



F X 6PCS
G X 6PCS

#3



Insert the nuts (#G) into the inner holes along the end of the bed rails (#3), then insert the short bolts (#F) into the outer side and secure using the Allen wrench (#E).

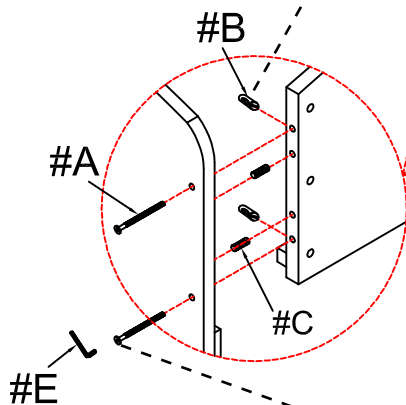


#3

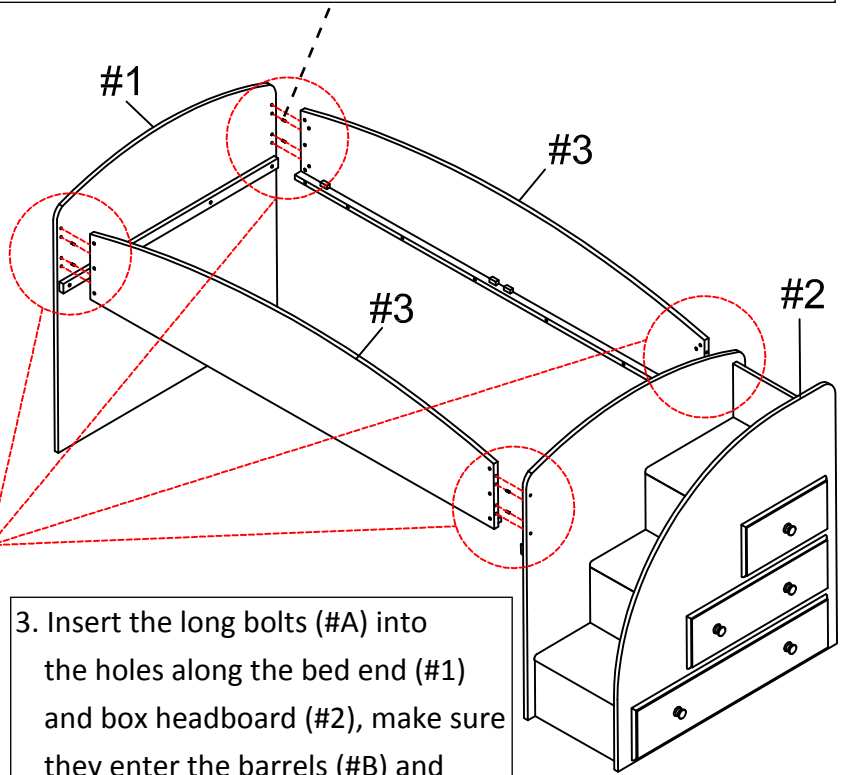
1. Insert the wood dowels (#C) into the holes at the end of the bed rails (#3), then insert the other ends of those dowels into the holes along the right bed end (#1) and the box headboard (#2).

A X 8PCS
B X 8PCS
C X 8PCS

2. Insert the barrels (#B) into the holes along the inner sides of the rails (#3).



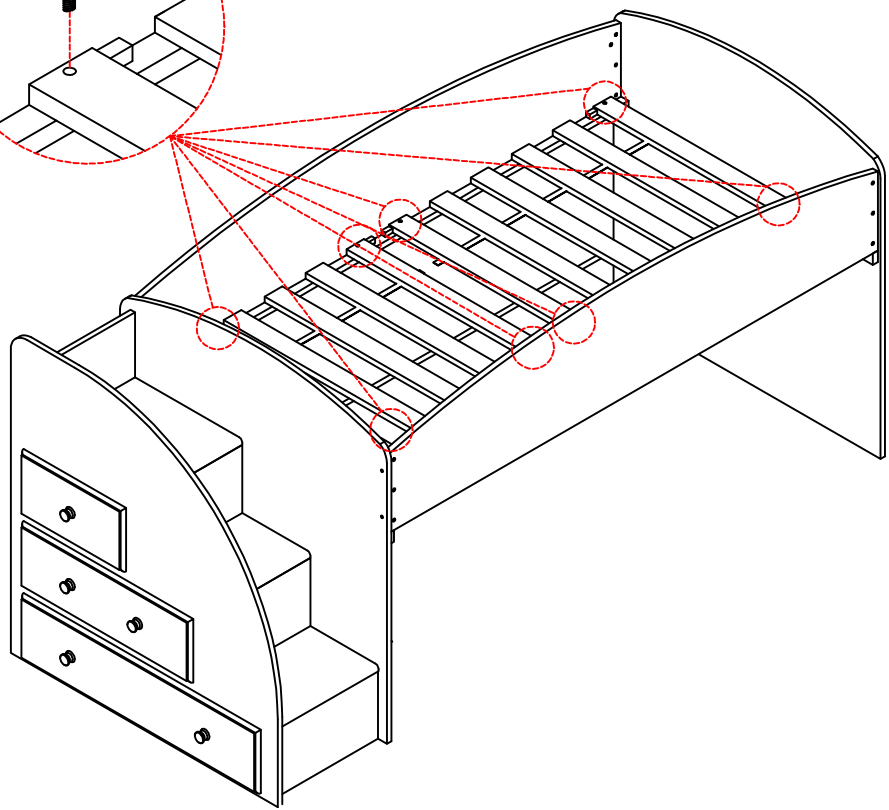
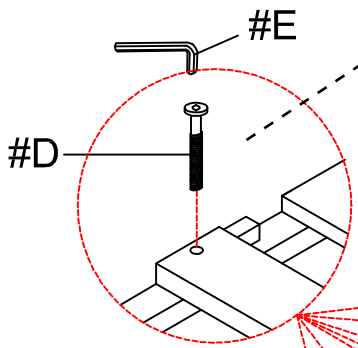
3. Insert the long bolts (#A) into the holes along the bed end (#1) and box headboard (#2), make sure they enter the barrels (#B) and secure using the Allen wrench (#E).



#4

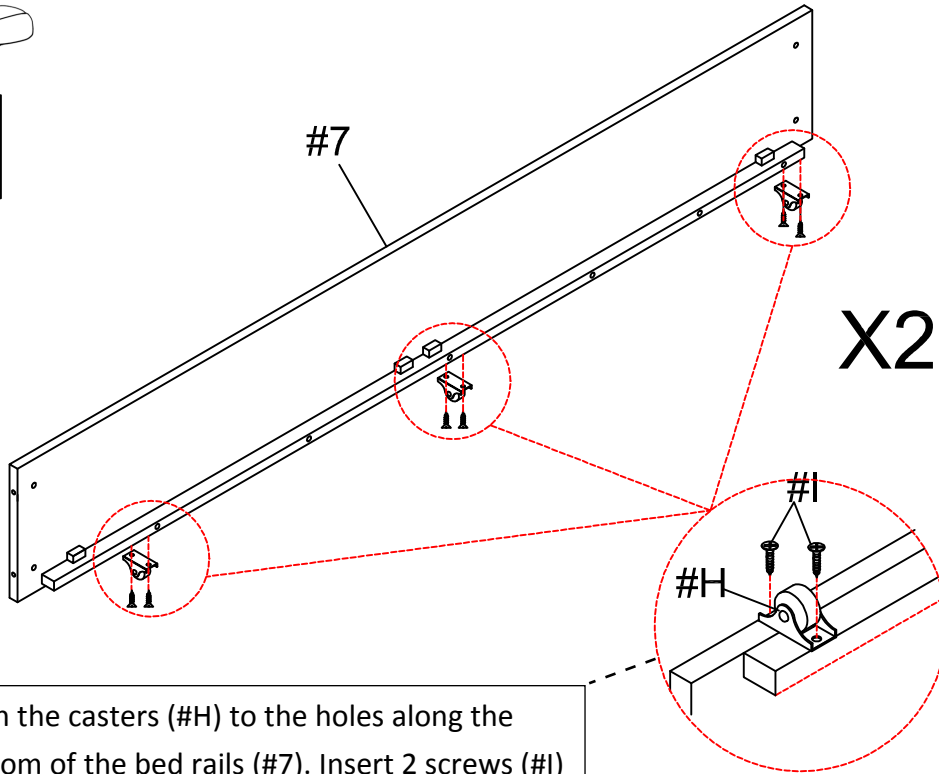
Place the roll slat (#4) onto the rails, then insert a medium bolt (#D) into each hole. Secure.

D X 8PCS





H X 3PCS
I X 6PCS



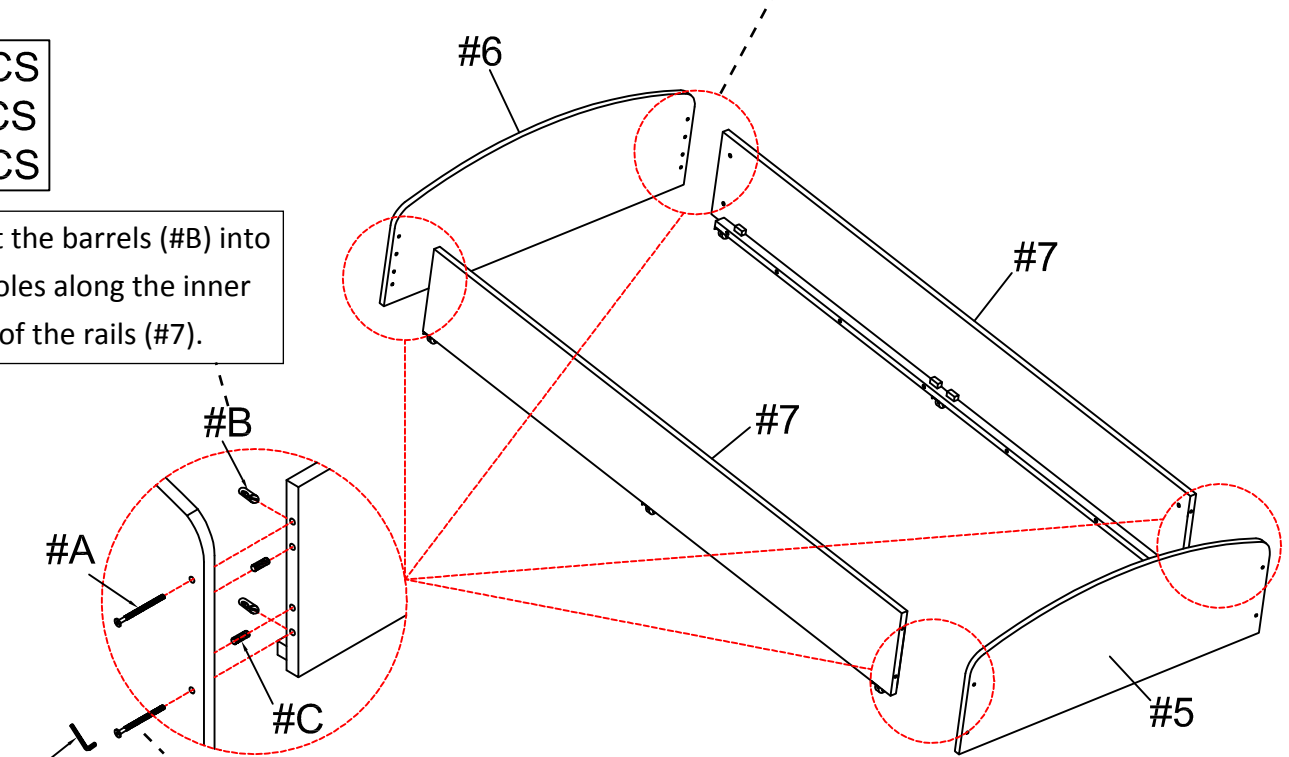
Align the casters (#H) to the holes along the bottom of the bed rails (#7). Insert 2 screws (#I) into each caster and secure using a screwdriver.



1. Insert the wood dowels (#C) into the holes at the end of the bed rails (#7), then insert the other ends of those dowels into the holes along the left and right bottom beds (#5,6).

A X 8PCS
B X 8PCS
C X 8PCS

2. Insert the barrels (#B) into the holes along the inner sides of the rails (#7).

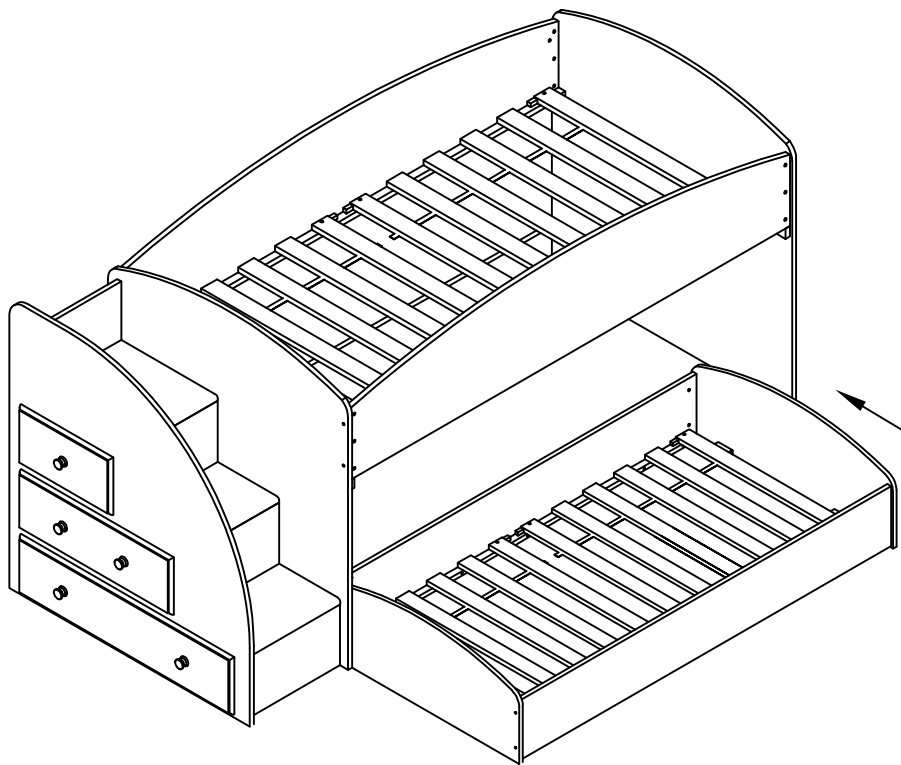
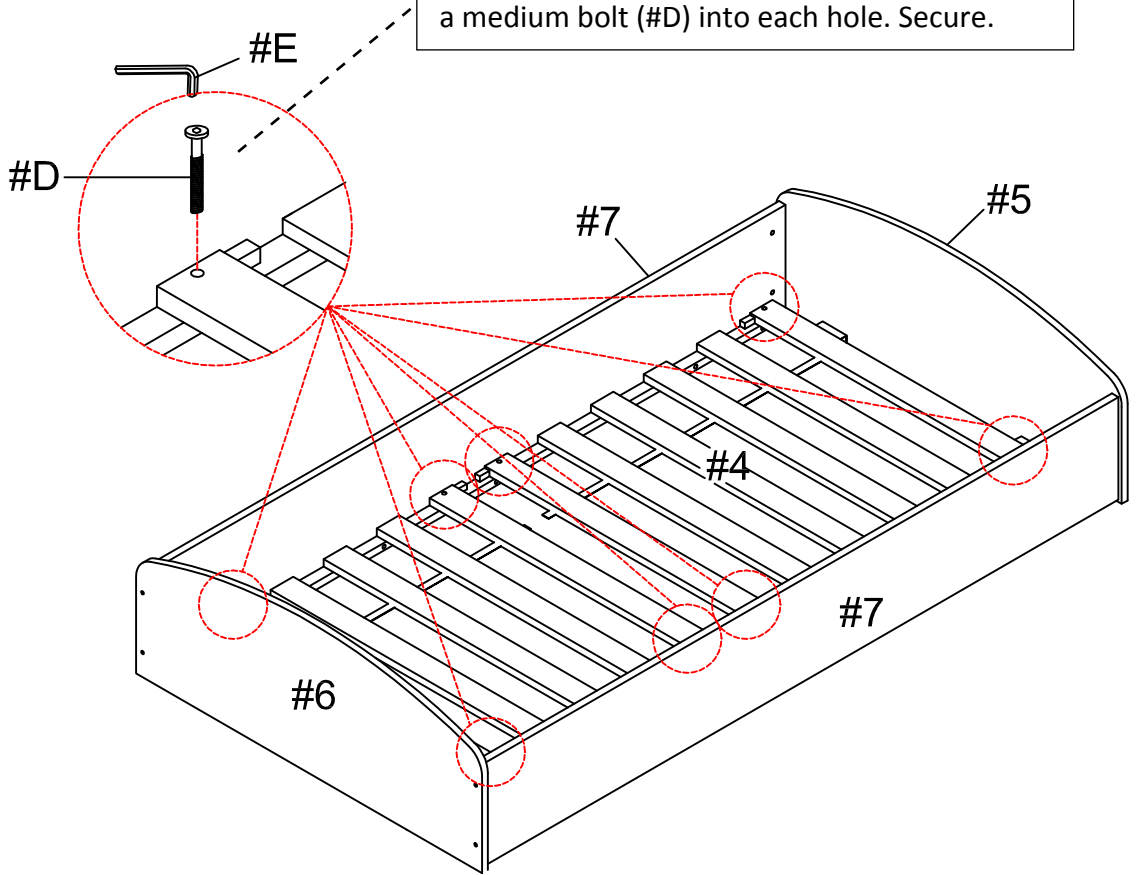


3. Insert the long bolts (#A) into the holes along the left and right bottom beds (#5,6), make sure they enter the barrels (#B) and secure using the Allen wrench (#E).



D X 8PCS

Place the roll slat (#4) onto the rails, then insert a medium bolt (#D) into each hole. Secure.



ASSEMBLY IS COMPLETED

Safety Warnings for Bunk Beds

1. Read and follow the information on the WARNINGS shown on the end structure of the upper bunk and on the carton.
2. Do not remove warning label from the bed.
3. Keep these instructions for future reference.
4. **IMPORTANT: Must use Bunkie mattress or Bunkie board.** The proper sizes for the **UPPER/LOWER TWIN-SIZE** Bunkie mattress or Bunkie board should be 74" - 75" long and 37½" - 38½" wide with no more than 6" thickness and for the **UPPER/LOWER FULL-SIZE** should be 74" - 75" long and 53" - 54" wide with no more than 6" thickness.
5. Surface of mattress must be at least 5 inches (127 mm) **BELOW** the upper edge of guardrails.
6. The **MAXIMUM** weight capacity for the upper bunk is not to exceed 150 lbs.
7. Do not allow children under 6 years of age to use the upper bunk.
8. Periodically check and ensure that the guardrails, ladder, handle and other components are in their proper position, free from damage, and that all connectors are tightened and secured.
9. **DO NOT** allow horseplay, rough playing or jumping on the beds and do not allow playing or hiding under the beds.
10. Always use the ladder for entering or leaving the upper bunk.
11. Do not use substitute parts. Contact the manufacturer or dealer for replacement parts.
12. Use of a nightlight may provide added safety precaution for a person using the upper bunk.
13. Always use the guardrails on both sides of the upper bunk.
14. If the bunk bed will be placed next to a wall, the guardrail that runs the full length of the bed should be placed against the wall to prevent entrapment between the bed and the wall.
15. The use of water or sleep flotation mattresses is prohibited.
16. No more than one person is allowed on the upper bunk at all times.



WARNING: STRANGULATION HAZARD

Never attach or hang objects to any part of the bunk bed that are not designed for use with the bed. Objects such as hanger, hook, belt, bag, rope, string, etc. should not be used on or around the bunk bed.